

PARTS CATALOG

DISK PLOW/MOLDBOARD PLOW/TERRACING PLOW

TAP 2

Code: 0501091908



Series: S-1116

Review: JUNHO/2017

**ORIGINAL PARTS
TATU**



PRODUCTS

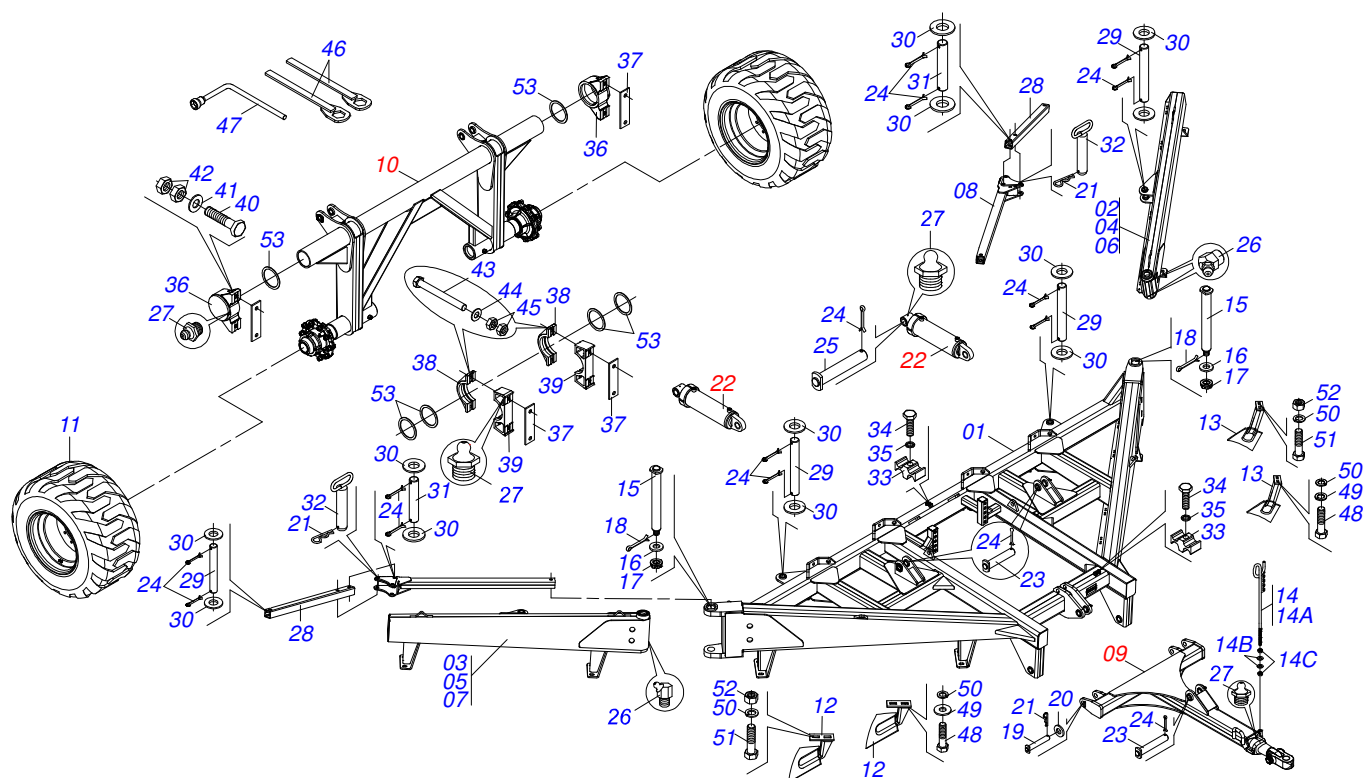
Code	Description
0101190018	TAP2 40 X 28 X 6,00 OL PA S-1116
0101190019	TAP2 40 X 28 X 6,00 OL S-1116
0101190020	TAP2 24 X 28 X 6,00 OL S-1116
0101190021	TAP2 30 X 28 X 6,00 OL S-1116
0101190022	TAP2 34 X 28 X 6,00 OL S-1116
0101190023	TAP2 40 X 28 X 7,50 OL PA S-1116
0101190024	TAP2 40 X 28 X 7,50 OL S-1116
0101190025	TAP2 48 X 28 X 6,00 OL PA S-1116

ATTENTION: **IMPORTANT**

MARCHESAN S/A RESERVES THE RIGHT AT ANY TIME TO MAKE IMPROVEMENTS IN THE DESIGN, MATERIAL OR SPECIFICATIONS OF MACHINERY, EQUIPMENT OR PARTS WITHOUT THEREBY BECOMING LIABLE TO MAKE SIMILAR CHANGES IN MACHINERY, EQUIPMENT OR PARTS PREVIOUSLY SOLD.

INDEX

0909092547	CHASSI 24 30 34 D	1
0909094759	GANG DISC 30 THE 34 REAR	1
0909092609	FRAME TAP 40D	3
0511049943	HYDRAULIC CYLINDER	5
0511059214	HYDRAULIC CYLINDER	6
0521041014	DRAWBAR ASSY	7
0511053752	WHEEL ASSEMBLY WITH CUBE	8
0521042416	JOINT CUBE OF THE WHEEL SET	9
0909094756	GANG DISC 24 FRONT	10
0909094757	GANG DISC 24 REAR	11
0909094758	GANG DISC 30 THE 34 FRONT	12
0909094596	GANG DISC 40 FRONT	13
0909094597	GANG DISC 40 REAR	14
0521041852	OIL BATCH BEARING	15
0909094598	HYDRAULIC CIRCUIT 24 - 40	16
0909092620	40 PA HYDRAULIC CIRCUIT	17

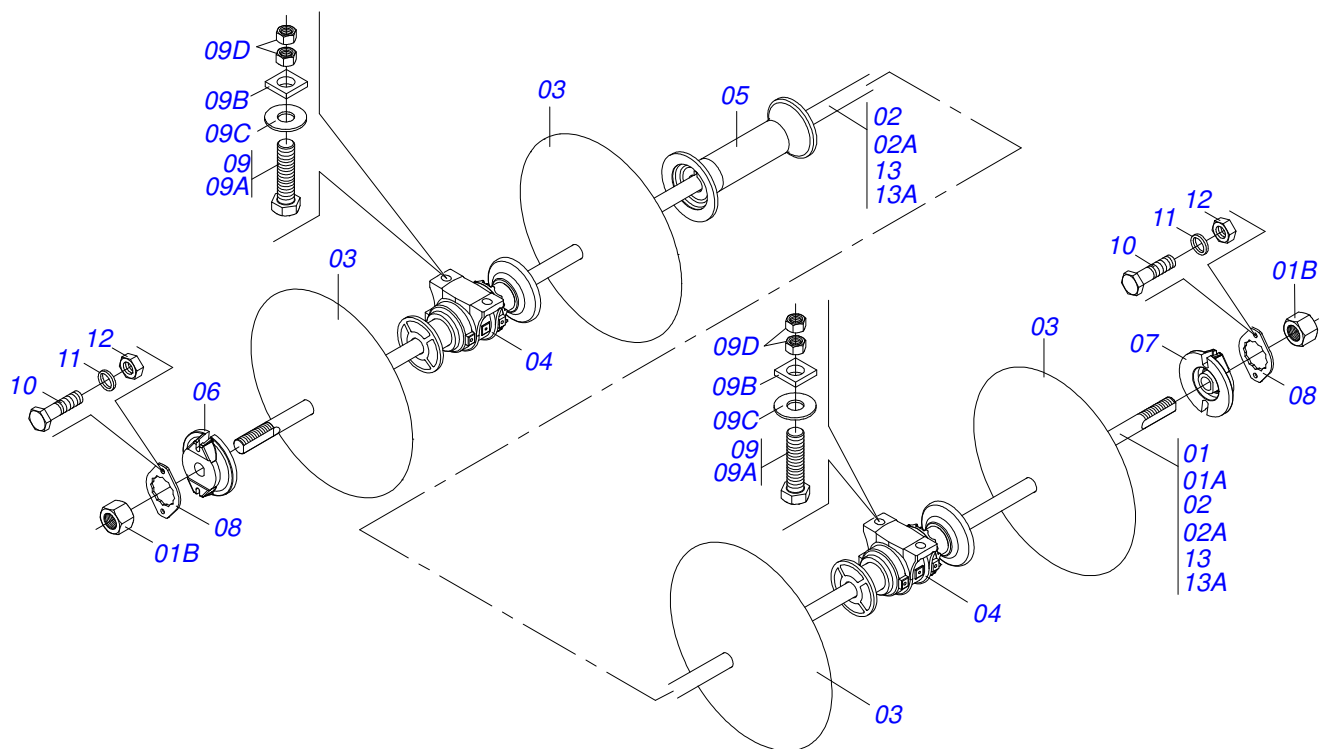


Item	Code	Description	QT
01	0521063896	CENTRAL FRAME	01 01 01
02	0521063446	LEFT REAR FRAME	01 00 00
03	0521063447	RIGHT REAR FRAME	01 00 00
04	0521063440	30 LEFT REAR FRAME	00 01 00
05	0521063441	RIGHT REAR FRAME	00 01 00
06	0521063376	LEFT REAR FRAME	00 00 01
07	0521063377	RIGHT REAR FRAME	00 00 01
08	0521063373	ADJUSTMENT BAR FRONT	02 02 02
09	0521041014	DRAWBAR ASSY	01 01 01
10	0511053752	WHEEL ASSEMBLY WITH CUBE	01 01 01
11	0503061865	WHEEL AND TIRE ASSY	02 02 02
12	0521064930	RIGHT CLEANER SUPPORT	12 15 17
13	0521064931	LEFT CLEANER SUPPOFRT	12 15 17
14	0501040257	3/4 X 1200 HOSE HOLDER A	01 01 01
14A	0511067334	HOSE SOPPORT ASSY	01 01 01
14B	0501010322	FLAT WASHER	02 02 02
14C	0503010014	3/4" NUT	02 02 02
15	0521063374	PIVOT SHAFT FRAME REAR	02 02 02
16	0521019544	FLAT WASHER	02 02 02
17	0501011301	1.1/2 UNC 6FPP 2.5/16 NUT	02 02 02
18	0503010010	1/4" X 2.1/2" COTTERPIN	02 02 02
19	0521062685	PIVOT AXLE	02 02 02
20	0501017547	FLAT WASHER	02 02 02
21	0503031035	HAIR PIN	04 04 04
22	0511049943	HYDRAULIC CYLINDER	03 03 03
23	0521062684	PIVOT SHAFT	03 03 03
24	0503010534	3/8 X 2-1/2 COTTERPIN	18 18 18
25	0521062813	PIVOT SHAFT	03 03 03
26	0503010003	1845 GREASE FITTING	04 04 04
27	0503010002	1800 GREASE FITTING	08 08 08
28	0521063372	ADJUSTMENT BAR REAR	02 02 02
29	0541014984	1.5" X 8.8" COUPLING SHAFT	04 04 04
30	0511019685	FLAT WASHER	12 12 12

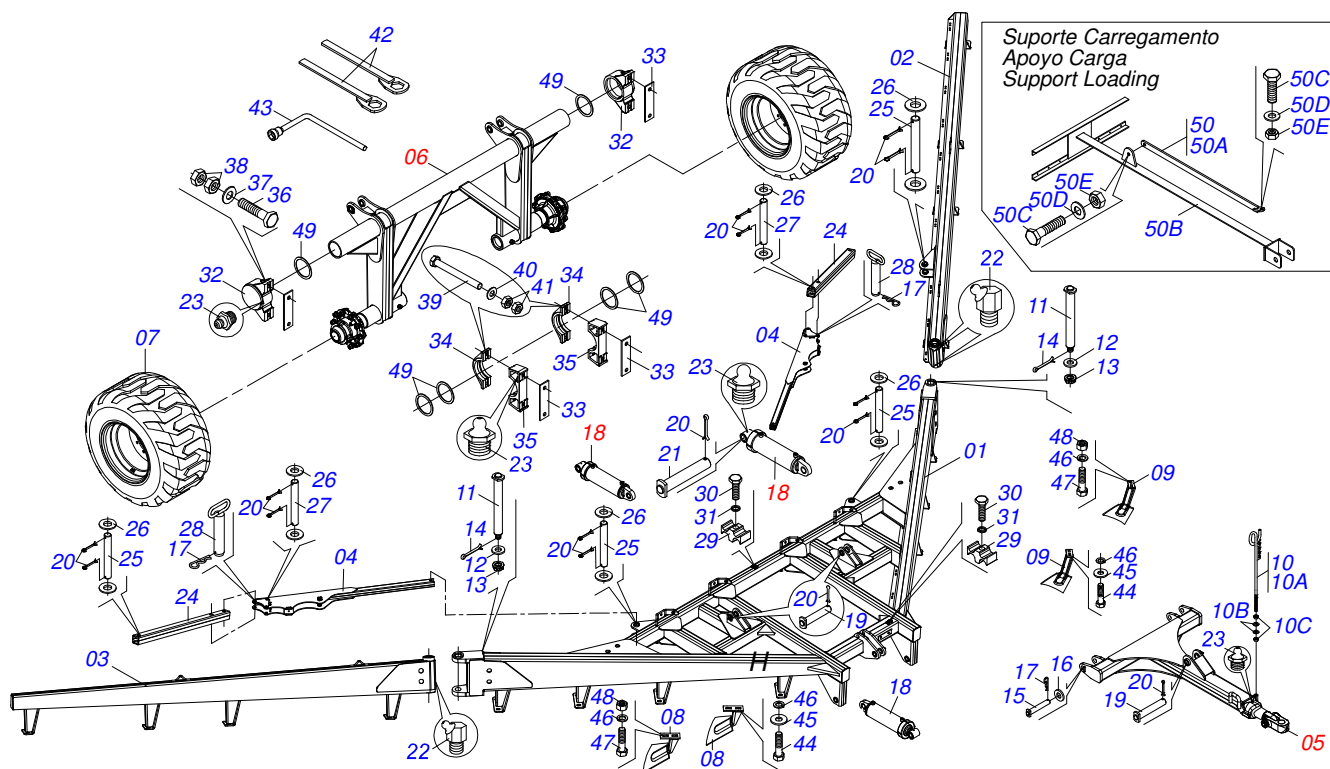


TAP 2
CHASSI 24 30 34 D

Item	Code	Description	QT
31	0571012022	COUPLING SHAFT	02 02 02
32	0521063391	COUPLING SHAFT WITH LINK	02 02 02
33	0502012702	BODY SUPPORT CLAMP	02 02 02
34	0503012555	7/16" X 2" BOLT	02 02 02
35	0503010180	7/16" SPRING WASHER	02 02 02
36	0502011588	AXLE WHEEL BEARING	02 02 02
37	0571013421	CHOCK BEARING	04 04 04
38	0502011724	INF BEARING SEMI	02 02 02
39	0502011725	UPPER BEARING SEMI	02 02 02
40	0503013310	7/8 X 4 BOLT	04 04 04
41	0501014251	FLAT WASHER	04 04 04
42	0503010417	7/8" NUT	08 08 08
43	0511016281	3/4" X 8" BOLT	04 04 04
44	0521013710	WASHER GVC 33200 SEMIMAN	04 04 04
45	0503012183	SNC 3/4" ZIN 1K03097 NUT	08 08 08
46	0501061044	2-1/8" AND 2-1/2" CABLE FLAT WRENCH	02 02 02
47	0501061045	1" WRENCH CYLINDRICAL	01 01 01
48	0501010155	1/2" X 1" BOLT	04 04 04
49	0501010937	FLAT WASHER	04 04 04
50	0503010019	1/2" SPRING WASHER	48 60 68
51	0501010243	1/2" X 1-1/2" BOLT	44 56 64
52	0503012682	1/2" BSW NUT	44 56 64
53	0503012222	FELT RING	06 06 06



Item	Code	Description	QT
01	0511053649	2-1/8 X 2045 AXLE WITH NUT	02 02
01A	0571014259	2-1/8 X 2495 AXLE	02 02
01B	0502040063	2.1/8" X 54 99 NUT	08 08
02	0511047064	2-1/8" X 1580 AXLE	02 00
02A	0551017147	2-1/8" X 1580 AXLE	02 00
03	0601039004	26" X 0.2" PLAIN DISC BLADE	18 22
04	0521041852	OIL BATCH BEARING	08 08
05	0502012711	447 SPACER	06 10
06	0502010594	2-1/8" EXTERNAL AXLE WASHER	04 04
07	0502010595	2-1/8" INNER AXLE WASHER	04 04
08	0541010368	NUT LOCK	08 08
09	0501042139	1" X 4.3" ASSY BOLT	16 16
09A	0501011547	1" X 4-1/2" BOLT	16 16
09B	0502012861	1" SQUARE WASHER	16 16
09C	0541010210	FLAT WASHER	16 16
09D	0501010059	1.5/8 NUT	32 32
10	0503010232	5/8" X 1.3/4" BOLT	16 16
11	0503010027	SPRING WASHER	16 16
12	0503010013	5/8" NUT	16 16
13	0511052146	2-1/8 X 2495 AXLE WITH NUT	02 02
13A	0571012019	2-1/8 X 2495 AXLE	02 02

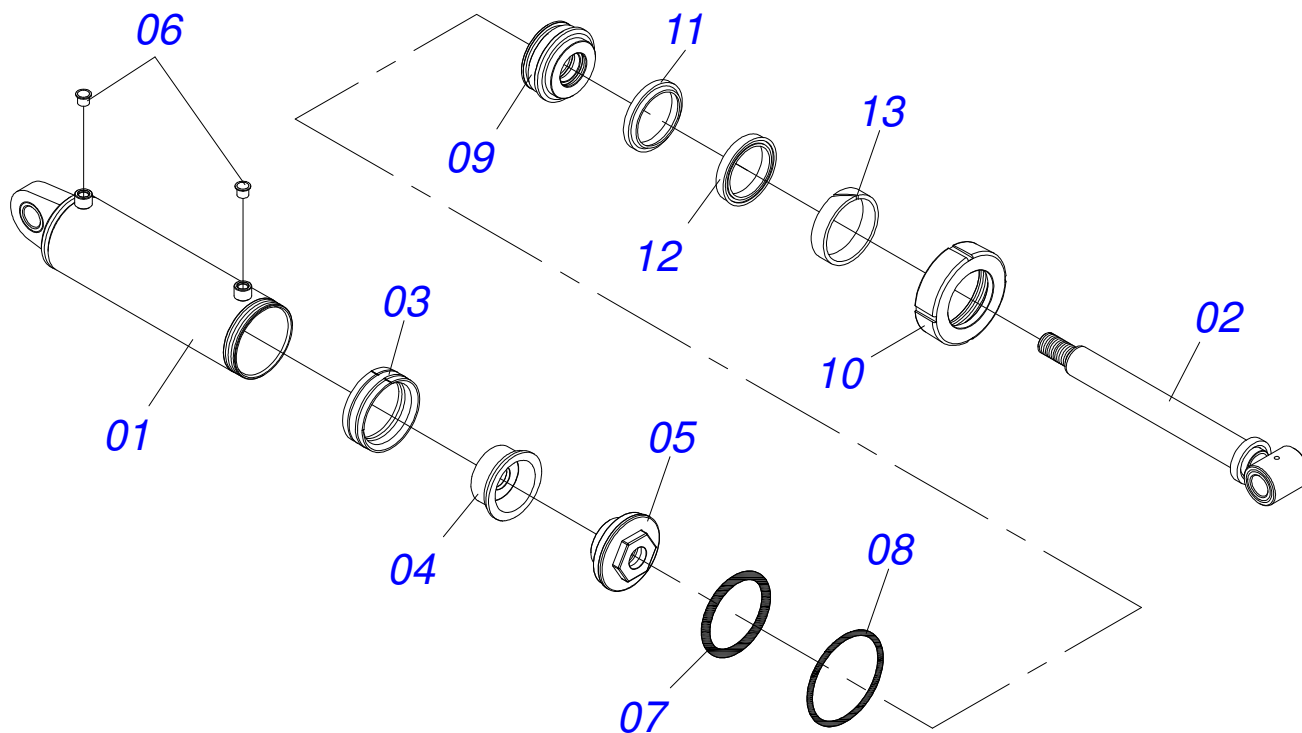


Item	Code	Description	QT
01	0521063897	CENTRAL FRAME	01
02	0521063376	LEFT REAR FRAME	01
03	0521063377	RIGHT REAR FRAME	01
04	0521066980	ADJUSTMENT BAR FRONT	02
05	0521041014	DRAWBAR ASSY	01
06	0511053752	WHEEL ASSEMBLY WITH CUBE	01
07	0503061865	WHEEL AND TIRE ASSY	02
08	0521064930	RIGHT CLEANER SUPPORT	20
09	0521064931	LEFT CLEANER SUPPOFRT	20
10	0501040257	3/4 X 1200 HOSE HOLDER A	20
10A	0511067334	HOSE SOPPORT ASSY	01
10B	0501010322	FLAT WASHER	01
10C	0503010014	3/4" NUT	02
11	0521063374	PIVOT SHAFT FRAME REAR	02
12	0521019544	FLAT WASHER	02
13	0501011301	1.1/2 UNC 6FPP 2.5/16 NUT	02
14	0503010010	1/4" X 2.1/2" COTTERPIN	02
15	0521062685	PIVOT AXLE	02
16	0501017547	FLAT WASHER	02
17	0503031035	HAIR PIN	04
18	0511049943	HYDRAULIC CYLINDER	03
19	0521062684	PIVOT SHAFT	03
20	0503010534	3/8 X 2-1/2 COTTERPIN	18
21	0521062813	PIVOT SHAFT	03
22	0503010003	1845 GREASE FITTING	04
23	0503010002	1800 GREASE FITTING	08
24	0521066982	ADJUSTMENT BAR REAR	02
25	0541014984	1.5" X 8.8" COUPLING SHAFT	04
26	0511019685	FLAT WASHER	12
27	0571012022	COUPLING SHAFT	02
28	0521063391	COUPLING SHAFT WITH LINK	02
29	0502012702	BODY SUPPORT CLAMP	02
30	0503012555	7/16" X 2" BOLT	02

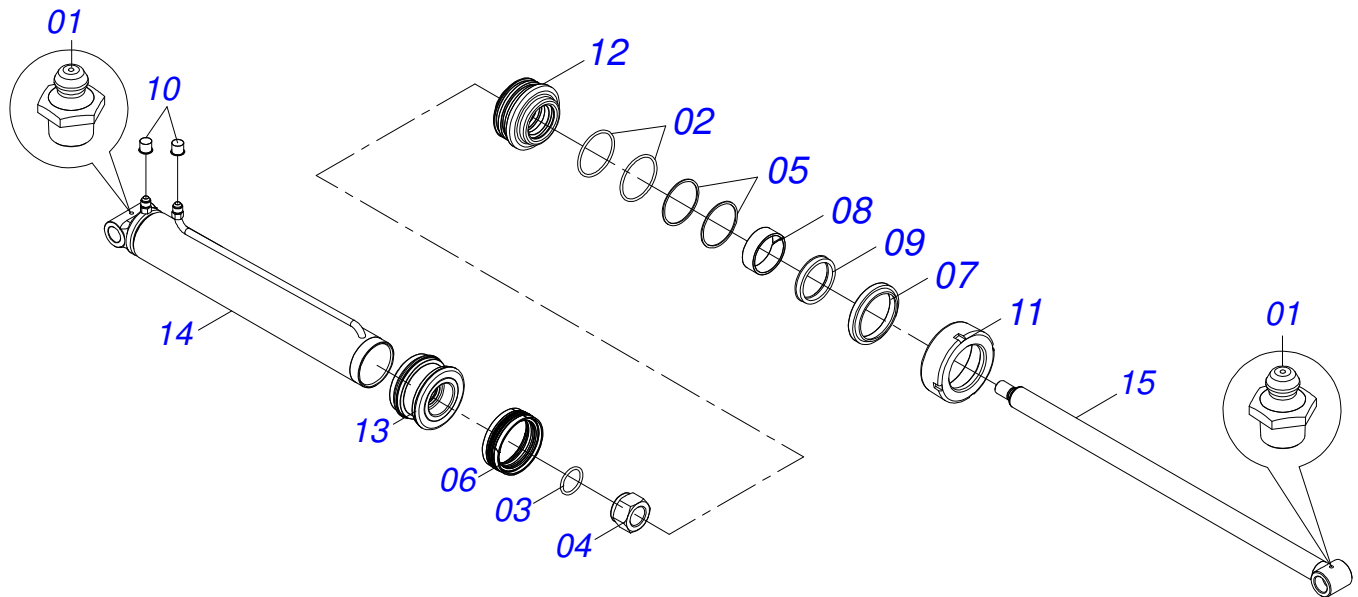


TAP 2
FRAME TAP 40D

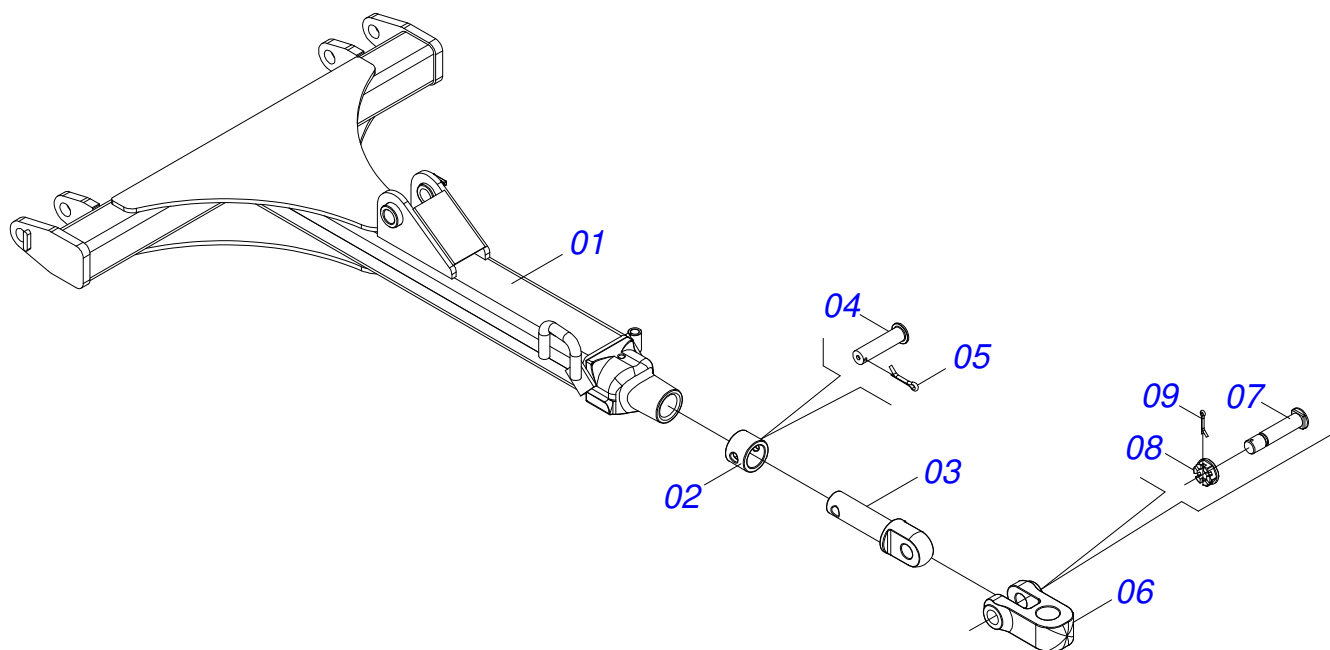
Item	Code	Description	QT
31	0503010180	7/16" SPRING WASHER	02
32	0502011588	AXLE WHEEL BEARING	02
33	0571013421	CHOCK BEARING	04
34	0502011724	INF BEARING SEMI	02
35	0502011725	UPPER BEARING SEMI	02
36	0503013310	7/8 X 4 BOLT	04
37	0501010076	FLAT WASHER	04
38	0503010417	7/8" NUT	08
39	0511016281	3/4" X 8" BOLT	04
40	0521013710	WASHER GVC 33200 SEMIMAN	04
41	0503012183	SNC 3/4" ZIN 1K03097 NUT	08
42	0501061044	2-1/8" AND 2-1/2" CABLE FLAT WRENCH	02
43	0501061617	1" GANG BOLT WRENCH	01
44	0501010155	1/2" X 1" BOLT	04
45	0501010937	FLAT WASHER	04
46	0503010019	1/2" SPRING WASHER	80
47	0501010243	1/2" X 1-1/2" BOLT	76
48	0503012682	1/2" BSW NUT	76
49	0503012222	FELT RING	06
50	0521043309	SET SUPPORT LOADING	02
50A	0521064388	BAR ASSY	02
50B	0521064389	SUPPORT LOADING	02
50C	0503014950	7/8" UNC X 3" BOLT	02
50D	0501010076	FLAT WASHER	02
50E	0503010417	7/8" NUT	08



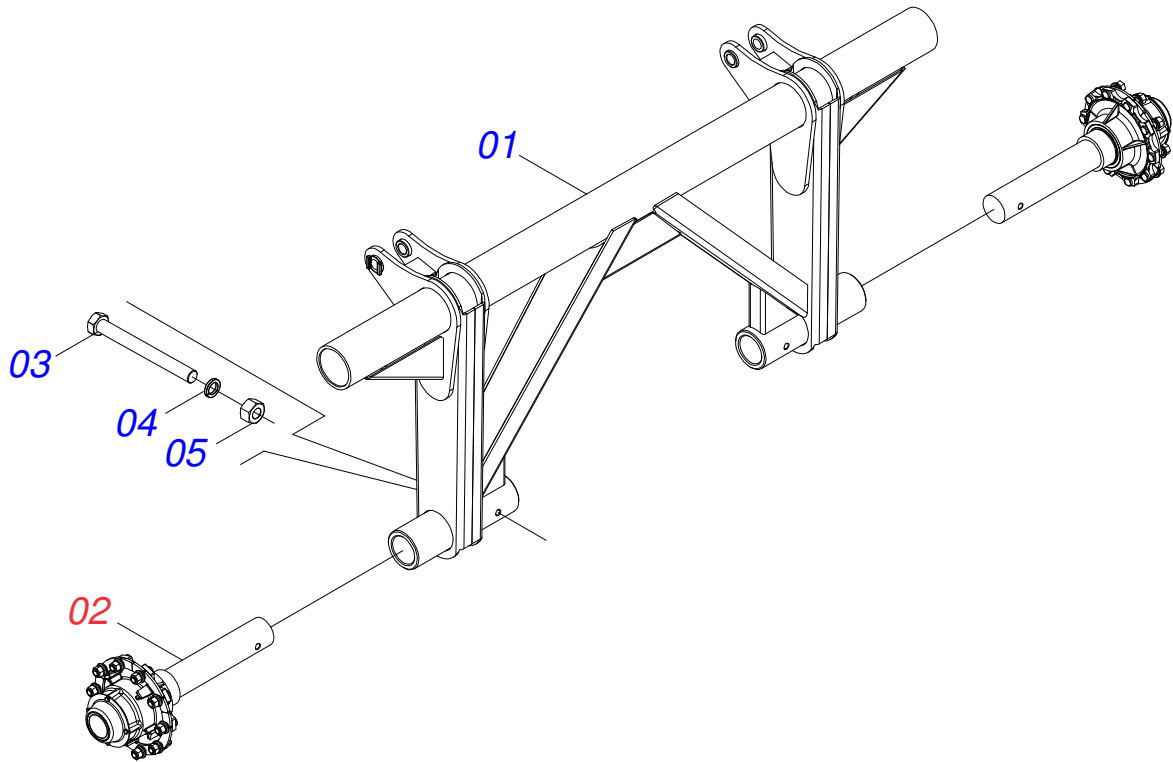
Item	Code	Description	QT
01	0521062687	CYLINDER CASE	01
02	0521062686	53,98 X 555 TURNBUCKLE	01
03	0503015643	SEAL	01
04	0561016583	PISTON BODY	01
05	0502012645	PISTON BODY	01
06	0503030384	CON N-001 PLUG	02
07	0503010351	2-425 N 3006-9B O-RING	01
08	0503011062	8-425 BACK-UP RING	01
09	0502012646	RING SUPPORT	01
10	0502010382	5" HEAD	01
11	0503015642	U-CUP SEALING	01
12	0503015715	SCRAPER SEALING	01
13	0503015641	RING SLYDRING	01



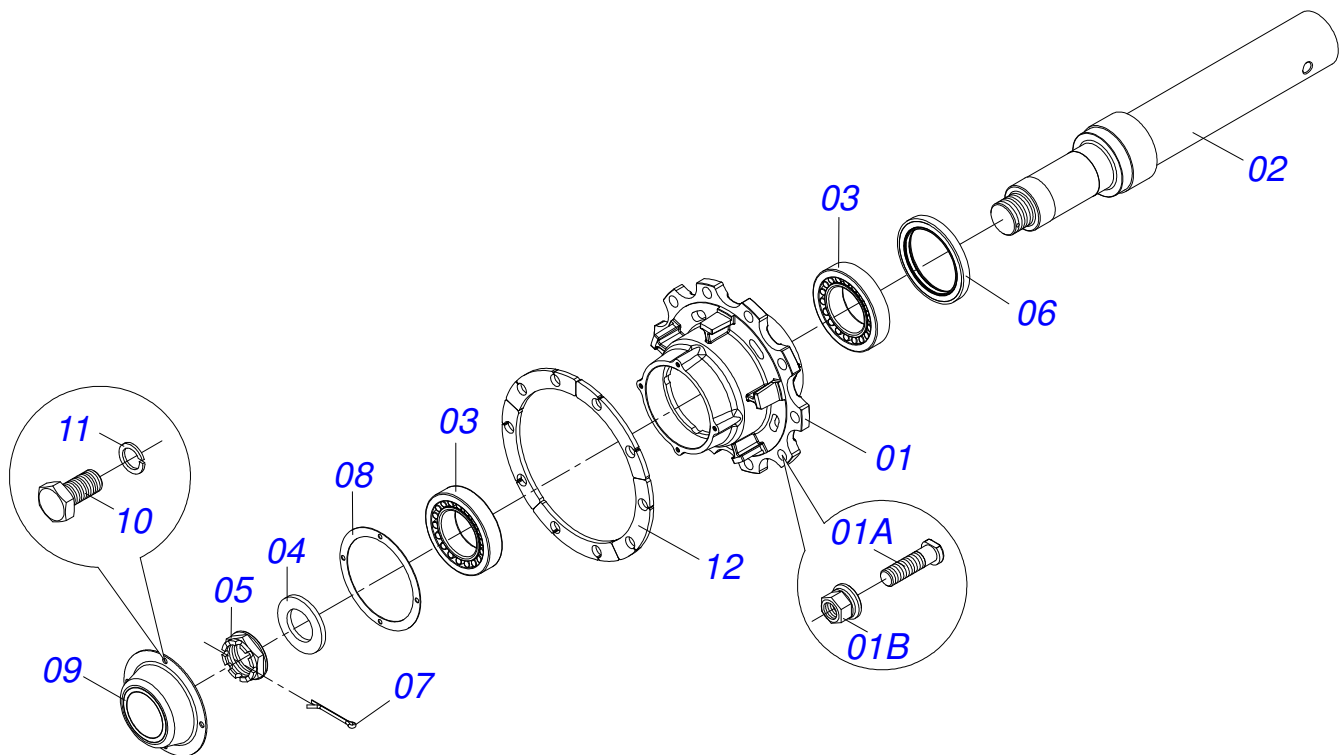
Item	Code	Description	QT
001	0503010002	1800 GREASE FITTING	02
002	0503010338	2-342 N 3006-9B O'RING	02
003	0503010345	2-218 N 3006-9B O'RING	01
004	0503010817	1-1/4" SELF-ADJUSTING NUT	01
005	0503011061	8-342 BACK-UP RING	02
006	0503015633	SELEMASTER SEALING	01
007	0503015636	SCRAPER SEAL	01
008	0503018025	RING GUIDE	01
009	0503018026	1870-2000-375 B GASKET	01
010	0503030387	PLUG	02
011	0502012822	101,60 MOBILE COVER	01
012	0581010678	50,80 X 101 RING SUPPORT	01
013	0502012842	50,80 X 101,60 PISTON	01
014	0521066978	CYLINDER CASE	01
015	0521066979	TURNBUCKLE	01



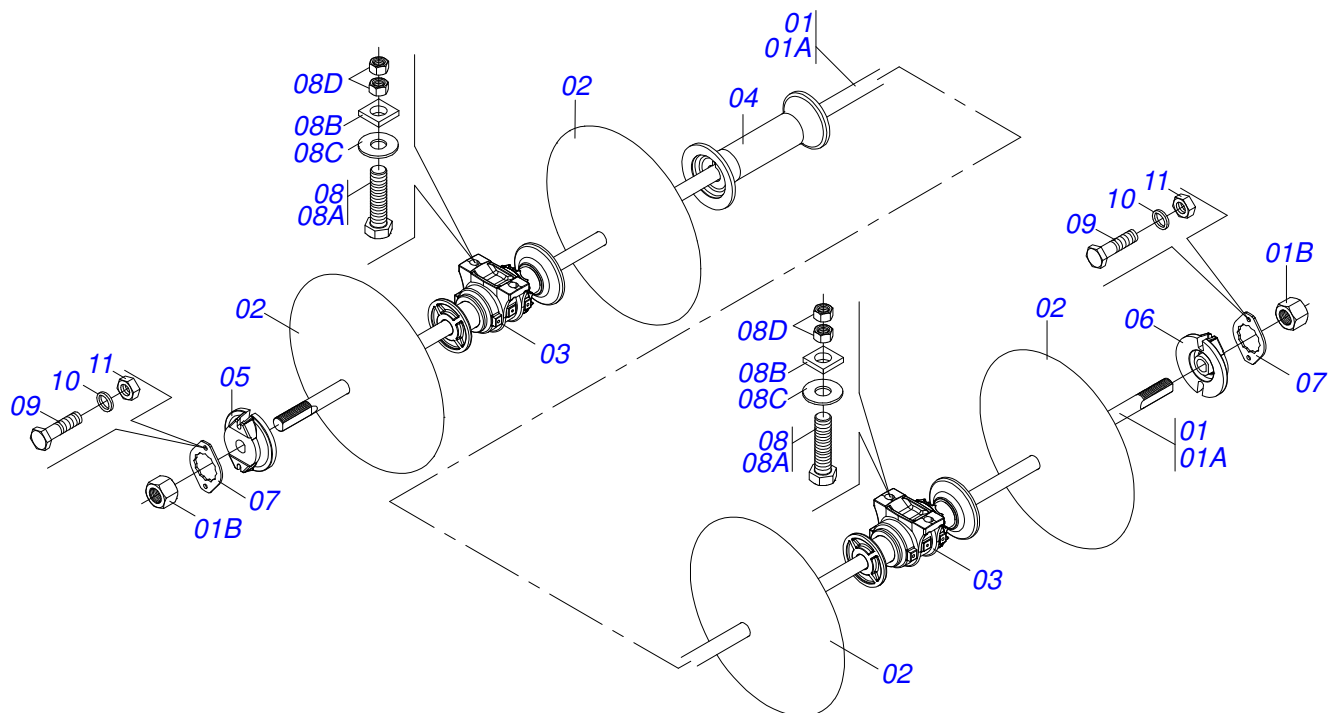
Item	Code	Description	QT
01	0521063370	DRAWBAR	01
02	0502040327	ANEL TRAVA ENGATE	01
03	0502040223	DRAWBOLT	01
04	0511014902	COUPLING SHAFT	01
05	0503010571	1/4" X 1.1/2 COTTERPIN	01
06	0502040733	CLEVIS	01
07	0521012545	COUPLING SHAFT	01
08	0501011301	1.1/2 UNC 6FPP 2.5/16 NUT	01
09	0503010010	1/4" X 2.1/2" COTTERPIN	01



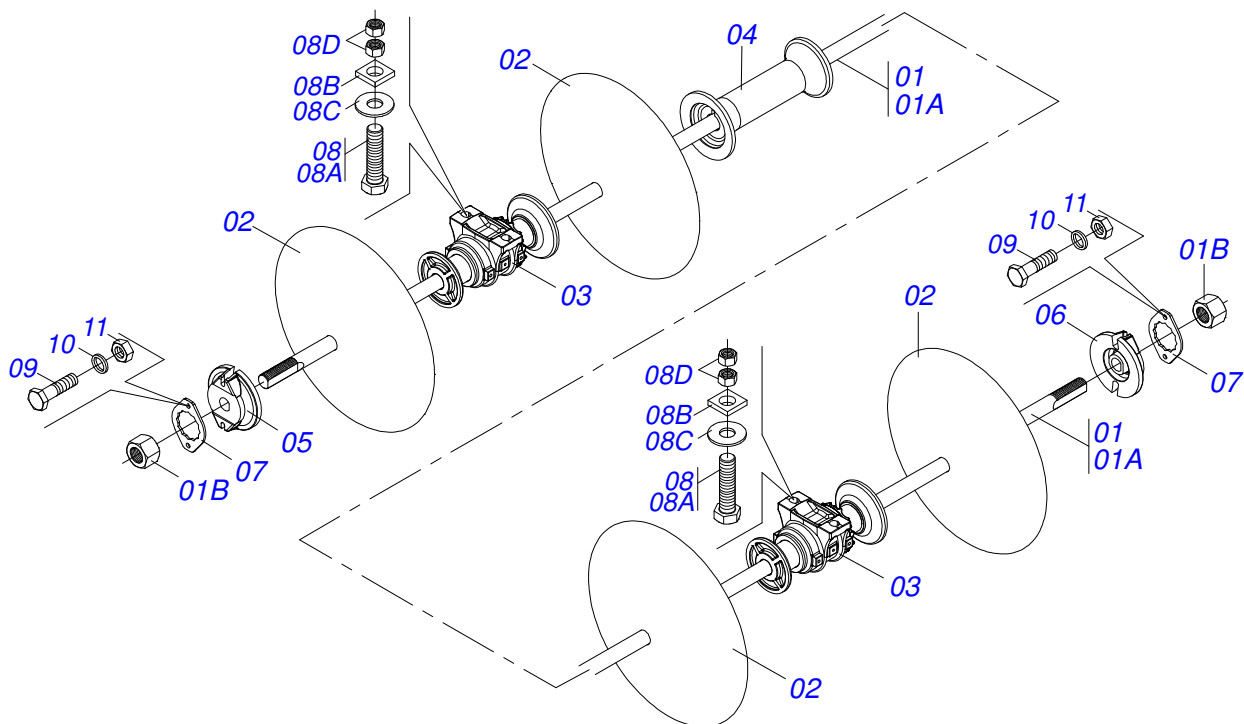
Item	Code	Description	QT
001	0521064214	WHEEL TC2	01
002	0521042416	JOINT CUBE OF THE WHEEL SET	02
003	0501010164	3/4 X 7 BOLT	02
004	0503010023	SPRING WASHER	02
005	0503010014	3/4" NUT	02



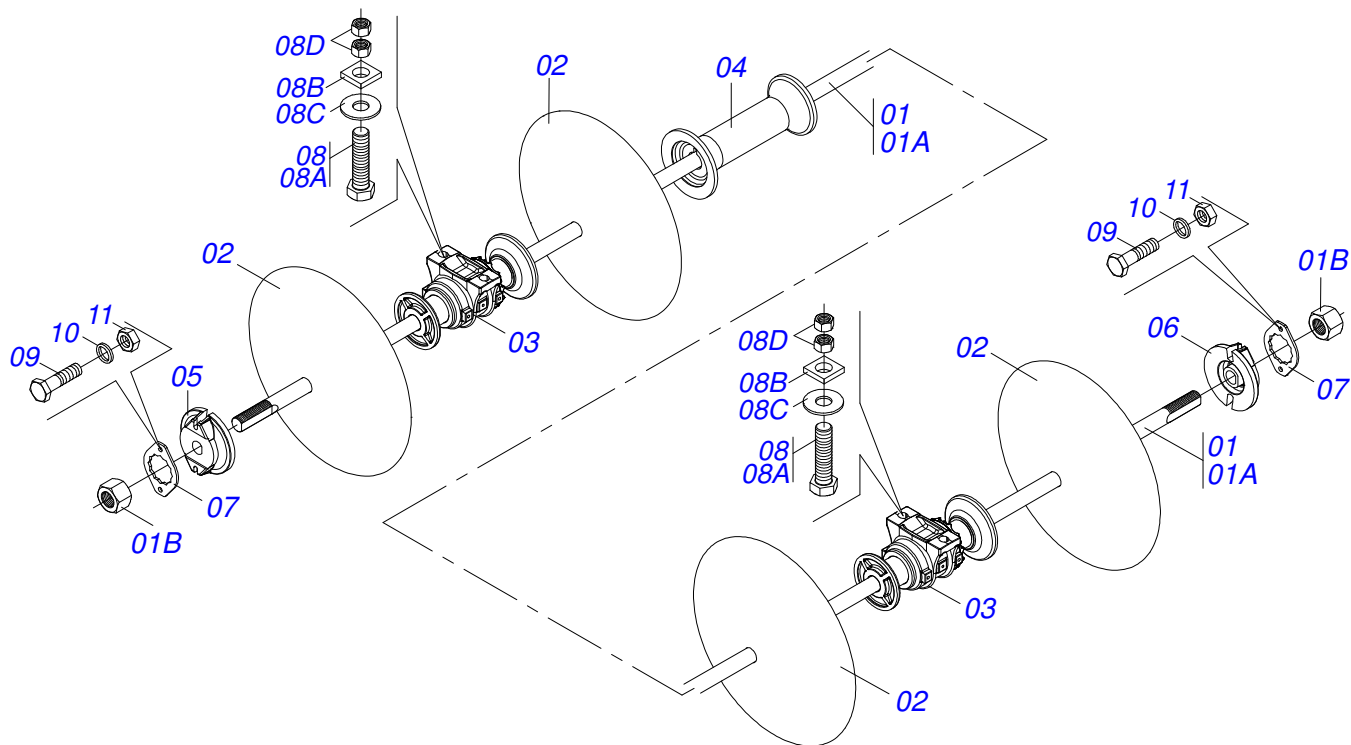
Item	Code	Description	QT
01	0501110761	CARRYING WHEEL HUB ASSY	01
01A	0503014050	M22 X 1,5 BOLT	10
01B	0503014048	CM22 X 1,5 NUT	10
02	0571014258	CARRYING WHEEL AXLE	01
03	0503010118	32218 ROLLER BEARING	02
04	0531019986	FLAT WASHER	01
05	0502040080	2.1/2" UM FLANGE NUT	01
06	0503013541	SEAL	01
07	0503012213	1/4" X 4 COTTERPIN	01
08	0503013548	CORK JOINT	01
09	0503013549	HUB COVER	01
10	0503013546	M10 X 1,5 X 20MM BOLT	04
11	0503013542	M10 SPRING WASHER	04
12	0561015521	FLANGE	05



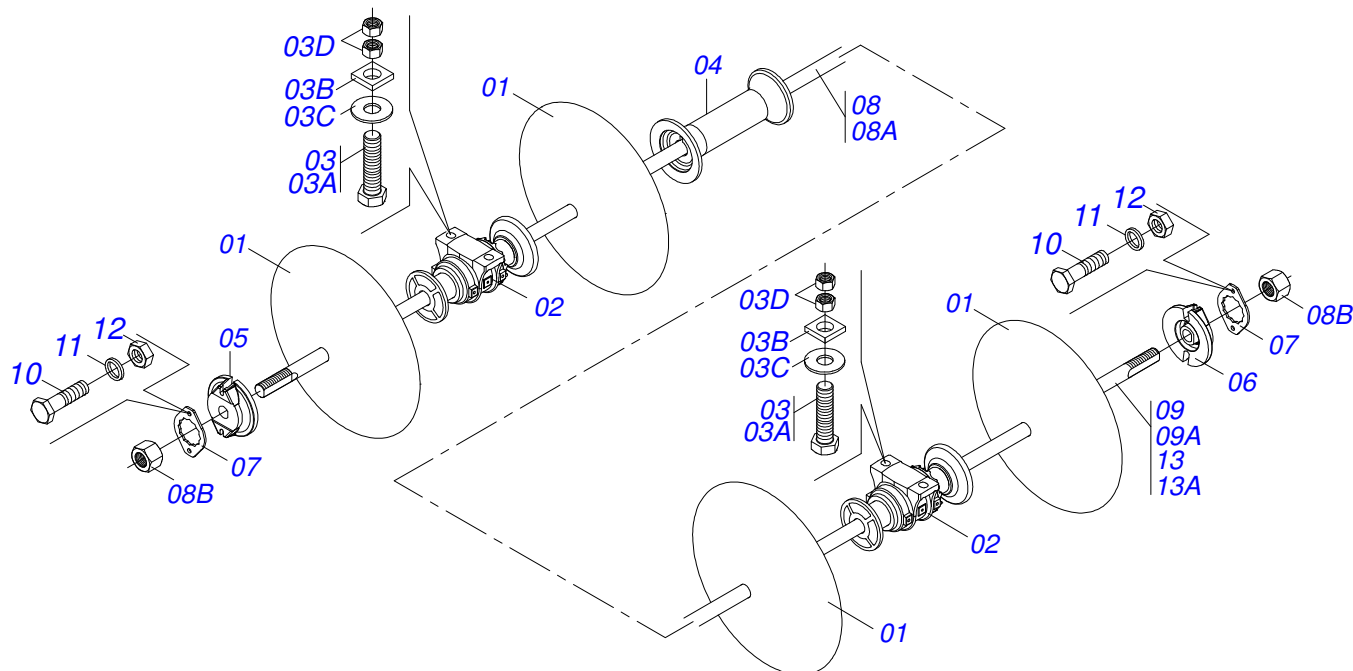
Item	Code	Description	QT
01	0511052146	2-1/8 X 2495 AXLE WITH NUT	02
01A	0571012019	2-1/8 X 2495 AXLE	02
01B	0502040063	2.1/8" X 54 99 NUT	04
02	0601039004	26" X 0.2" PLAIN DISC BLADE	12
03	0521041852	OIL BATCH BEARING	04
04	0502012711	447 SPACER	06
05	0502010594	2-1/8" EXTERNAL AXLE WASHER	02
06	0502010595	2-1/8" INNER AXLE WASHER	02
07	0541010368	NUT LOCK	04
08	0501042139	1" X 4.3" ASSY BOLT	08
08A	0501010952	1" X 4.3" BOLT	08
08B	0501010951	1" SQUARE WASHER	08
08C	0541010210	FLAT WASHER	08
08D	0501010059	1.5/8 NUT	16
09	0503010232	5/8" X 1.3/4" BOLT	08
10	0503010027	SPRING WASHER	08
11	0503010013	5/8" NUT	08



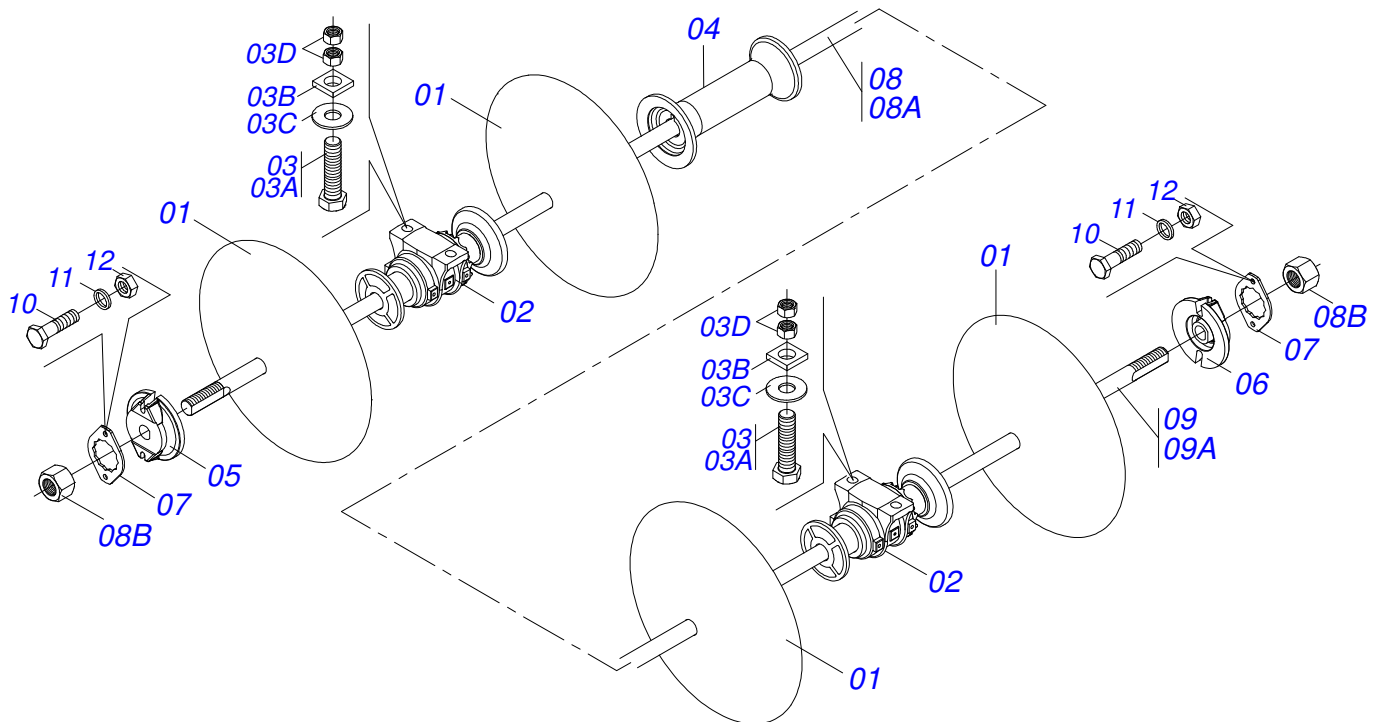
Item	Code	Description	QT
01	0511052146	2-1/8 X 2495 AXLE WITH NUT	02
01A	0571012019	2-1/8 X 2495 AXLE	02
01B	0502040063	2.1/8" X 54 99 NUT	04
02	0601039004	26" X 0.2" PLAIN DISC BLADE	12
03	0521041852	OIL BATCH BEARING	04
04	0502012711	447 SPACER	06
05	0502010594	2-1/8" EXTERNAL AXLE WASHER	02
06	0502010595	2-1/8" INNER AXLE WASHER	02
07	0541010368	NUT LOCK	04
08	0501042139	1" X 4.3" ASSY BOLT	08
08A	0501010952	1" X 4.3" BOLT	08
08B	0501010951	1" SQUARE WASHER	08
08C	0541010210	FLAT WASHER	08
08D	0501010059	1.5/8 NUT	16
09	0503010232	5/8" X 1.3/4" BOLT	08
10	0503010027	SPRING WASHER	08
11	0503010013	5/8" NUT	08



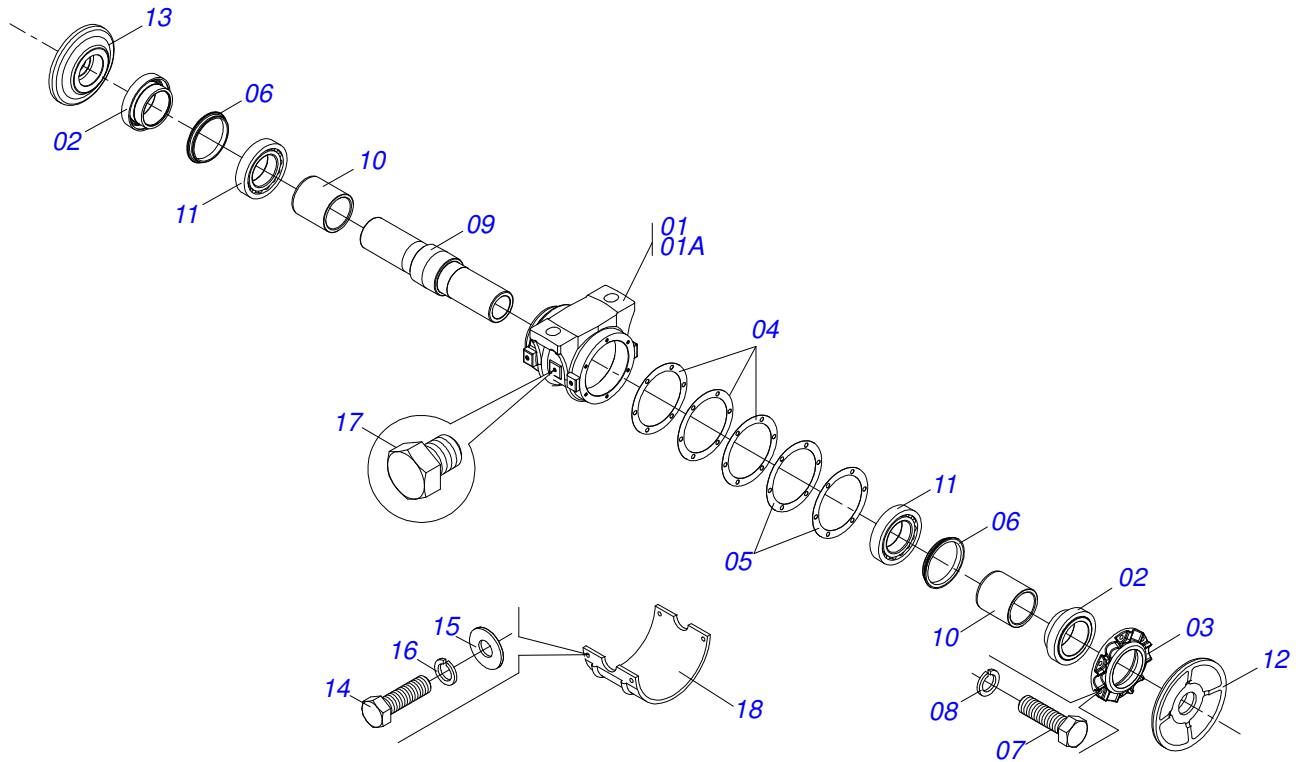
Item	Code	Description	30 34
01	0511052146	2-1/8 X 2495 AXLE WITH NUT	02 02
01A	0571012019	2-1/8 X 2495 AXLE	02 02
01B	0502040063	2.1/8" X 54 99 NUT	04 04
02	0601039004	26" X 0.2" PLAIN DISC BLADE	12 12
03	0521041852	OIL BATCH BEARING	04 04
04	0502012711	447 SPACER	06 06
05	0502010594	2-1/8" EXTERNAL AXLE WASHER	02 02
06	0502010595	2-1/8" INNER AXLE WASHER	02 02
07	0541010368	NUT LOCK	04 04
08	0501042139	1" X 4.3" ASSY BOLT	08 08
08A	0501011547	1" X 4-1/2" BOLT	08 08
08B	0502012861	1" SQUARE WASHER	08 08
08C	0541010210	FLAT WASHER	08 08
08D	0501010059	1.5/8 NUT	16 16
09	0503010232	5/8" X 1.3/4" BOLT	08 08
10	0503010027	SPRING WASHER	08 08
11	0503010013	5/8" NUT	08 08



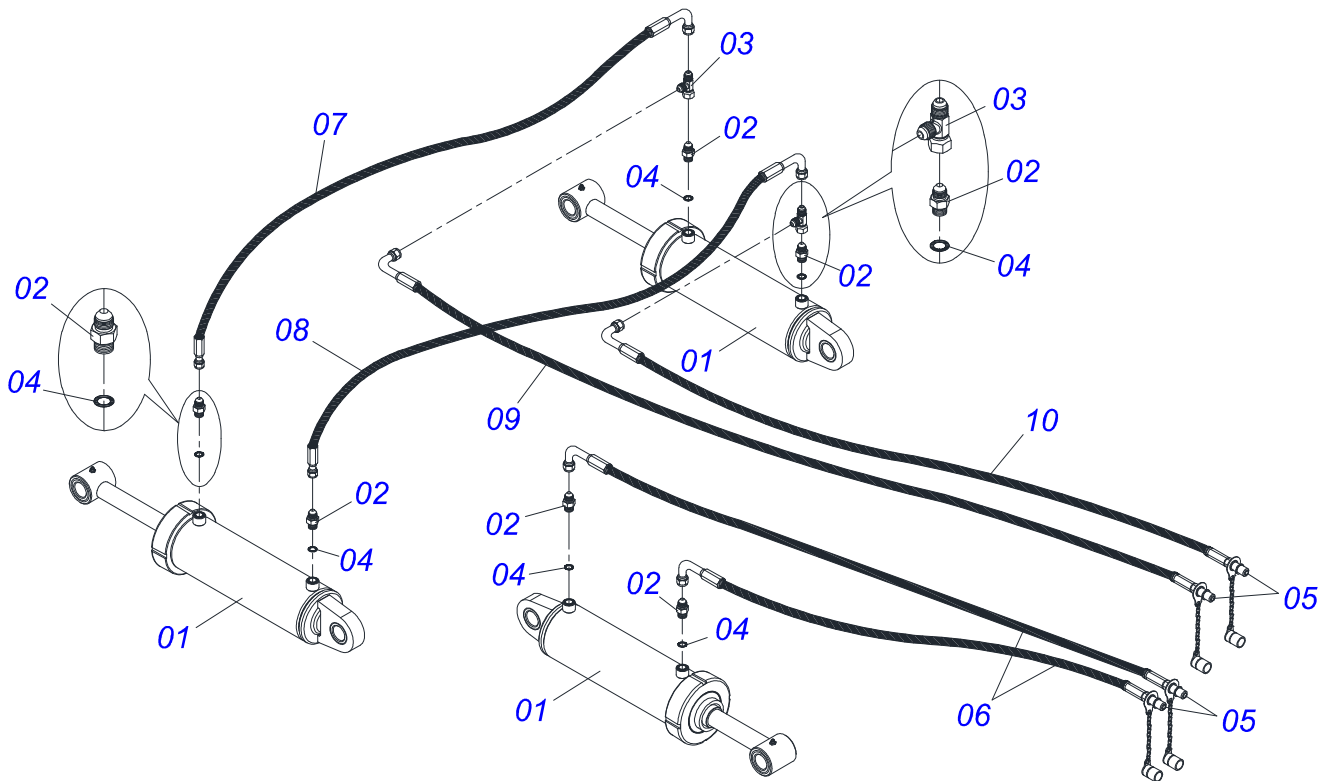
Item	Code	Description	QT
01	0601039004	26" X 0.2" PLAIN DISC BLADE	18
02	0521041852	OIL BATCH BEARING	08
03	0501042139	1" X 4.3" ASSY BOLT	16
03A	0501011547	1" X 4-1/2" BOLT	16
03B	0521012861	TENSIONER SUPPORT	16
03C	0541010210	FLAT WASHER	16
03D	0501010059	1.5/8" NUT	32
04	0502012711	447 SPACER	06
05	0502010594	2-1/8" EXTERNAL AXLE WASHER	04
06	0502010595	2-1/8" INNER AXLE WASHER	04
07	0541010368	NUT LOCK	08
08	0511047064	2-1/8" X 1580 AXLE	02
08A	0551017147	2-1/8" X 1580 AXLE	02
08B	0502040063	2.1/8" X 54 99 NUT	08
09	0511053649	2-1/8 X 2045 AXLE WITH NUT	02
09A	0571014259	2-1/8 X 2495 AXLE	02
10	0503010232	5/8" X 1.3/4" BOLT	16
11	0503010027	SPRING WASHER	16
12	0503010013	5/8" NUT	16
13	0511052146	2-1/8 X 2495 AXLE WITH NUT	02
13A	0571012019	2-1/8 X 2495 AXLE	02



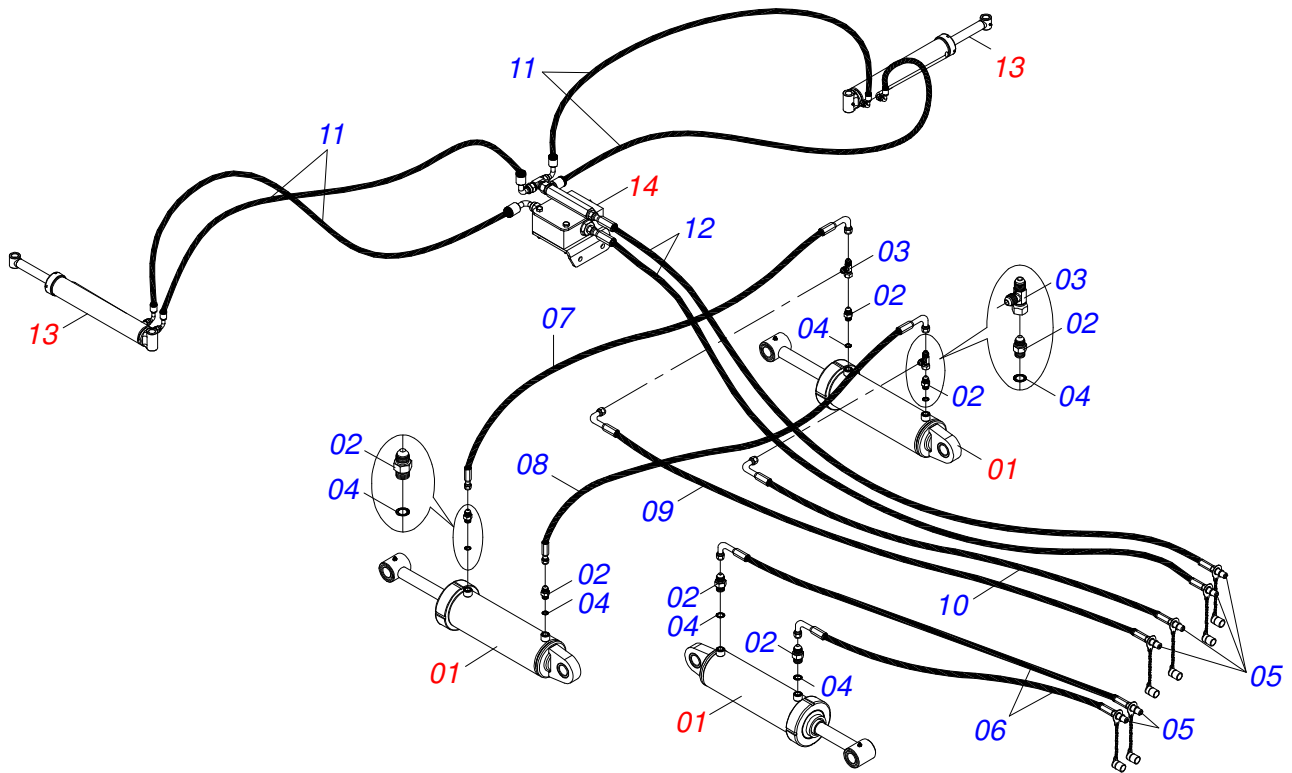
Item	Code	Description	QT
01	0601039004	26" X 0.2" PLAIN DISC BLADE	22
02	0521041852	OIL BATCH BEARING	08
03	0501042139	1" X 4.3" ASSY BOLT	16
03A	0501011547	1" X 4-1/2" BOLT	16
03B	0502012861	1" SQUARE WASHER	16
03C	0541010210	FLAT WASHER	16
03D	0501010059	1.5/8" NUT	32
04	0502012711	447 SPACER	10
05	0502010594	2-1/8" EXTERNAL AXLE WASHER	04
06	0502010595	2-1/8" INNER AXLE WASHER	04
07	0541010368	NUT LOCK	08
08	0511052146	2-1/8 X 2495 AXLE WITH NUT	02
08A	0571012019	2-1/8 X 2495 AXLE	02
08B	0502040063	2.1/8" X 54 99 NUT	08
09	0511053649	2-1/8 X 2045 AXLE WITH NUT	02
09A	0571014259	2-1/8 X 2495 AXLE	02
10	0503010232	5/8" X 1.3/4" BOLT	16
11	0503010027	SPRING WASHER	16
12	0503010013	5/8" NUT	16



Item	Code	Description	QT
01	0521041797	OIL BATH BEARING 450 X 2.1/8	01
01A	0502012262	HOUSING DM	01
02	0502040123	SEAL RETAINER	02
03	0502010645	HOUSING CAP DM	01
04	0503030536	7.1" X 5.5" X 0.01" JOINT	03
05	0503030686	7.1" X 5.5" X 0.004" JOINT	02
06	0503030028	JB-257 SEAL	02
07	0503010751	C3/8" X 1.1/4" HEX BOLT G.5	06
08	0503011443	SPRING WASHER	06
09	0502012712	AXLE BEARING	01
10	0571013127	SPACER SLEEVE	02
11	0503010117	32216 ROLLER BEARING	02
12	0502040260	OUTER FLANGE	01
13	0502040261	INNER FLANGE	01
14	0503011401	1/2" X 3/4" BOLT	04
15	0511017302	FLAT WASHER	04
16	0503010019	1/2" SPRING WASHER	04
17	0503010856	OIL PLUG	02
18	0511013169	PROTECTION COVER BEARING	01



Item	Code	Description	QT
01	0511049943	HYDRAULIC CYLINDER	03
02	0501010617	3/4" NIPPLE	06
03	0503011968	T ADAPTOR WITH GIRAT	02
04	0503010190	2-114 N 3006-9B O-RING	06
05	0501053834	QUICK CONECTION (MALE) 1/2	04
06	0501080473	3/8" X 120" TC-TM HOSE	02
07	0501080359	3/8" X 78.7" TR-TC HOSE ASSY	01
08	0501080414	3/8" X 110.2" TR-TC HOSE ASSY	01
09	0501080781	TR-TM HOSE ASSY	01
10	0501080362	3/8" X 177" TC-TM HOSE ASSY	01



Item	Code	Description	QT
01	0511049943	HYDRAULIC CYLINDER	03
02	0501010617	3/4" NIPPLE	06
03	0503011968	T ADAPTOR WITH GIRAT	02
04	0503010190	2-114 N 3006-9B O-RING	06
05	0501053834	QUICK CONECTION (MALE) 1/2	04
06	0501080473	3/8" X 120" TC-TM HOSE	02
07	0501080359	3/8" X 78.7" TR-TC HOSE ASSY	01
08	0501080414	3/8" X 110.2" TR-TC HOSE ASSY	01
09	0501080781	TR-TM HOSE ASSY	01
10	0501080362	3/8" X 177" TC-TM HOSE ASSY	01
11	0501080750	3/8" X 149" TC-TC HOSE ASSY	04
12	0501080361	3/8" X 157" TR-TM HOSE ASSY	02
13	0511059214	HYDRAULIC CYLINDER	02
14	0511057534	FLOW DIVIDING VALVE ASSY	01



MARCHESAN IMPLEMENTOS E MÁQUINAS AGRÍCOLAS TATU S.A.

AV. Marchesan, 1979 - Post office box, 131 - CEP 15994-900 - Matão - SP - Brazil

Phone +55 16.3382-8282

(FAX Parts) + 55 16.3382. 8297 - (Export) + 55 16.3382.1003

e.mail: tatu@marchesan.com.br www.marchesan.com.br

Technical Publications: Elaboration

MARINA PEREZ NIZA

Technical Publications: Revision

ALESSANDRA PATRICIA KAWAHARA CARRILI

Contact Catálogo:

E-mail = jgaspari@marchesan.com.br

**ORIGINAL PARTS
TATU**

