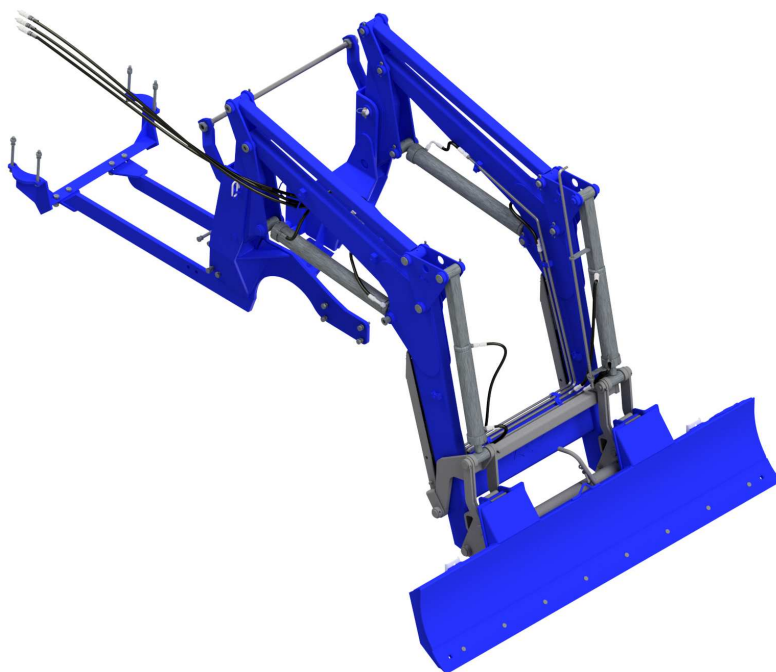


PARTS CATALOG

PCA T / PCA PLUS - AGRICULTURAL FRONT LOADER

PCA-T 1750 NH 7630-4 BT SC

Code: 0501091906



Series: S-0708

Rev.: 00

Date Rev.: OUTUBRO/2019

**ORIGINAL PARTS
TATU**



PRODUCTS

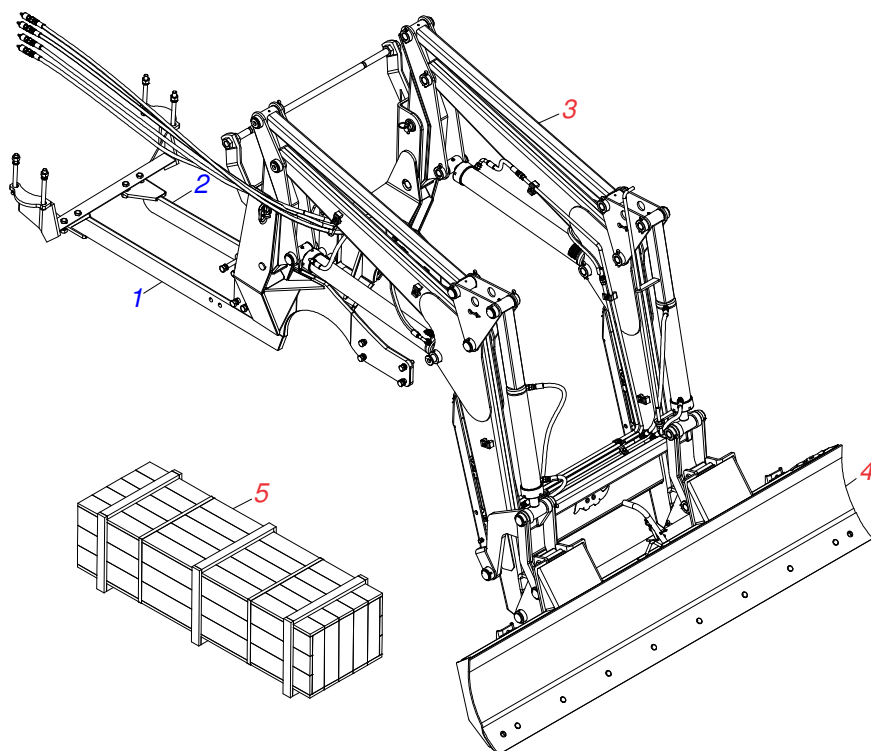
Code	Description
0106111599	PCA-T 1750 NH 7630-4 BT SC S0708

ATTENTION: **IMPORTANT**

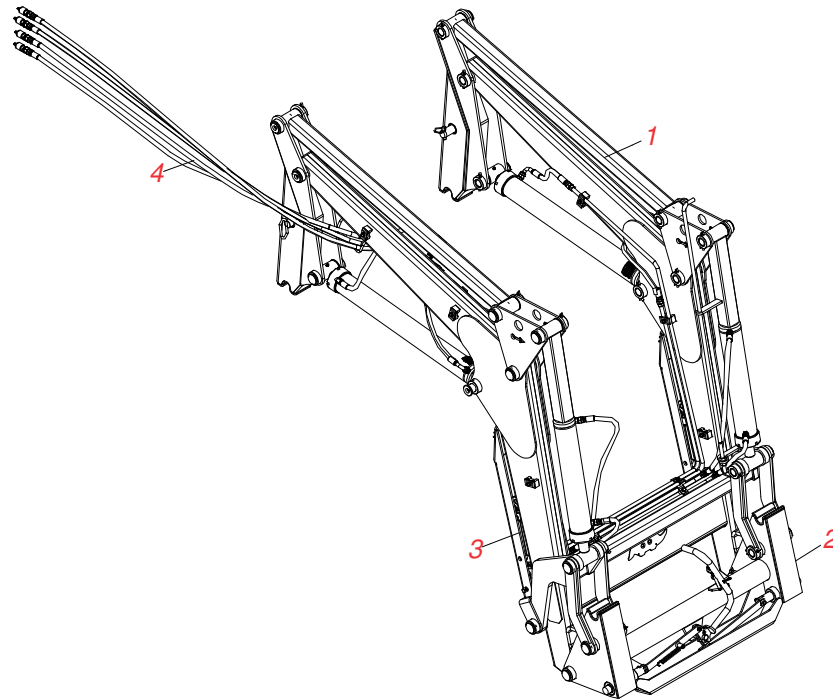
MARCHESAN S/A RESERVES THE RIGHT AT ANY TIME TO MAKE IMPROVEMENTS IN THE DESIGN, MATERIAL OR SPECIFICATIONS OF MACHINERY, EQUIPMENT OR PARTS WITHOUT THEREBY BECOMING LIABLE TO MAKE SIMILAR CHANGES IN MACHINERY, EQUIPMENT OR PARTS PREVIOUSLY SOLD.

INDEX

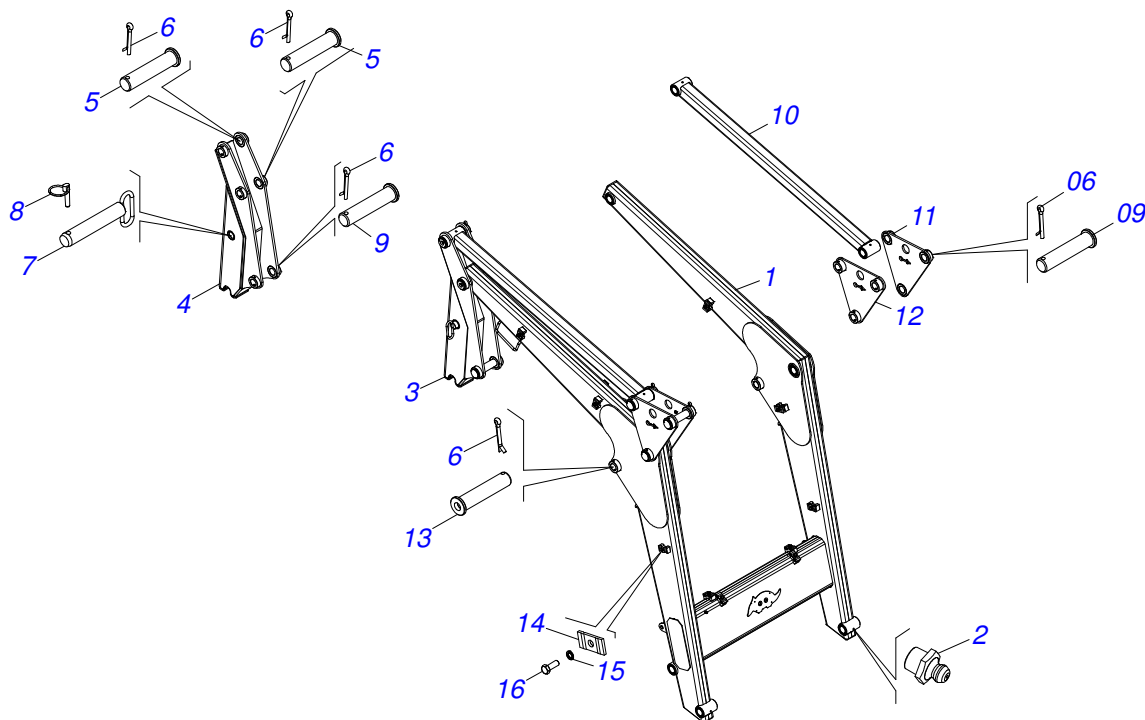
0106111599	PCA-T 1750 NH 7630-4 BT SC S0708	0
0511047796	MOBILE SUPPORT GUIDE ASSY	1
0909092489	MOBILE SUPPORT GUIDE ASSY	2
0909092490	ARTICULATION	3
0511043359	ARTICULATION ASSY	4
0909092555	SUPPORT ASSEMBLE	5
0909092556	SYSTEM HYDRAULIC	6
0511045574	HYDRAULIC CYLINDER	7
0511045575	HYDRAULIC CYLINDER	8
0511058003	HYDRAULIC CYLINDER	9
0511057996	HYDRAULIC CYLINDER	10
0501053834	MALE QUICK COUPLING AGRICULTURAL WITH COVER - 1/2 NPT	11
0511057810	CONJUNTO VÁLVULA DE SEGURIDAD	12
0511048239	LDA 2600 WITHOUT SHOE	13
0511024387	BOX WITH COMPONENTS	14
0511047399	1.1/4" X 40" ROD	15
0501037503	PACKED PARTS	16
0909092679	SET LABEL ADHESIVE	17



Item	Code	Description	See page	QT
001	0521060455	RIGHT FRAME		01
002	0521060085	LEFT FRAME		01
003	0511047796	MOBILE SUPPORT GUIDE ASSY	1	01
004	0511048239	LDA 2600 WITHOUT SHOE	13	01
005	0511024387	BOX WITH COMPONENTS	14	01

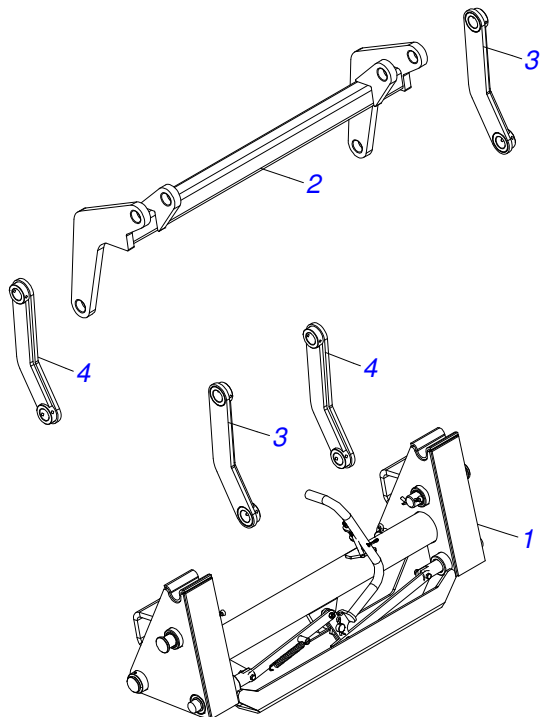


Item	Code	Description	See page	QT
01	0909092489	MOBILE SUPPORT GUIDE ASSY	2	01
02	0909092490	ARTICULATION	3	01
03	0909092555	SUPPORT ASSEMBLE	5	01
04	0909092556	SYSTEM HYDRAULIC	6	01

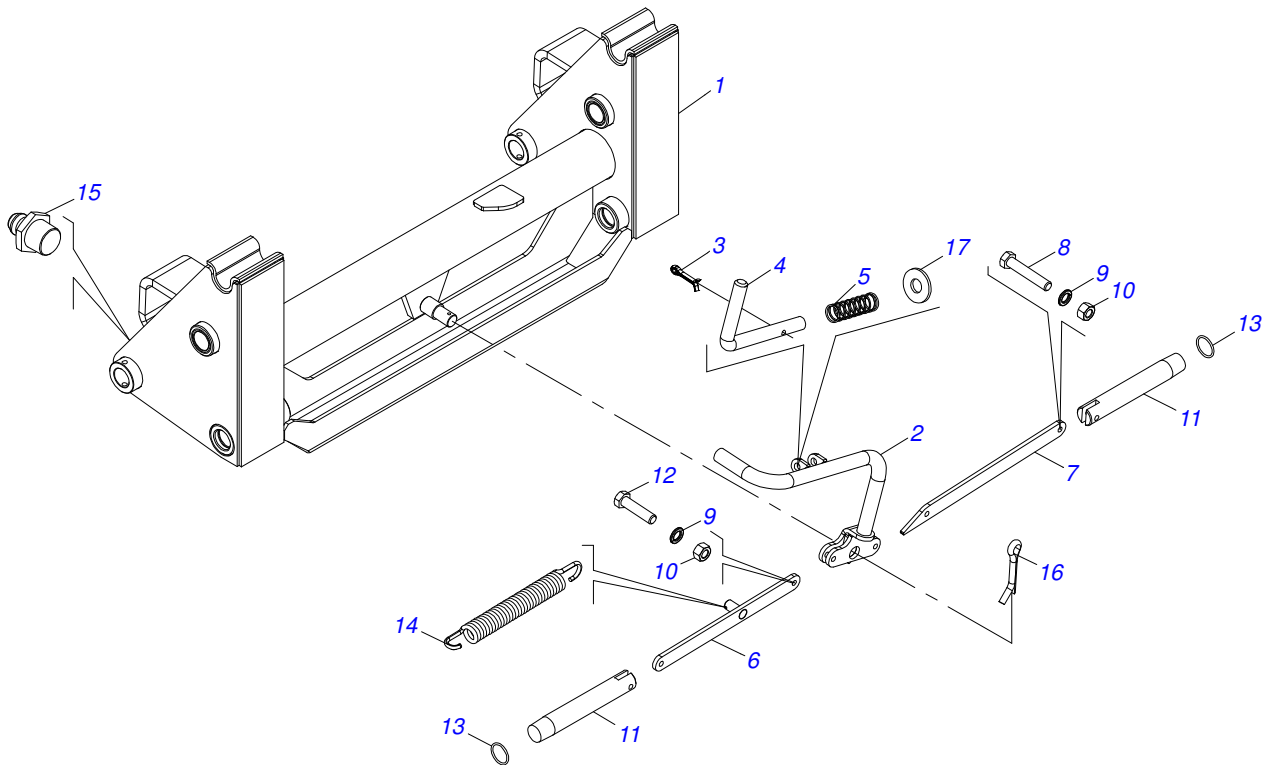


Item	Code	Description	See page	QT
01	0511066107	MOBILE SUPPORT		01
02	0503010002	1800 GREASE FITTING		04
03	0521060544	RIGHT MOBILE TOWER		01
04	0521060545	MOBILE TOWER, LEFT		01
05	0541014981	1.5" X 6.3" COUPLING SHAFT		04
06	0503010073	3/8 X 3-1/2 COTTERPIN		14
07	0511064410	1.5" X 8.1" COUPLING SHAFT		02
08	0503030430	7/16 X 2" PIN LOCK		02
09	0561014067	COUPLING SHAFT		08
10	0511066074	ARM PIVOT		02
11	0521062748	COPY ROCKER ARM		02
12	0511066116	COPY ROCKER ARM		02
13	0541014981	1.5" X 6.3" COUPLING SHAFT		02
14	0531011180	UPPER BODY CLIP		12
15	0503010025	3/8 SPRING WASHER		12
16	0503010237	3/8" X 1" BOLT		12

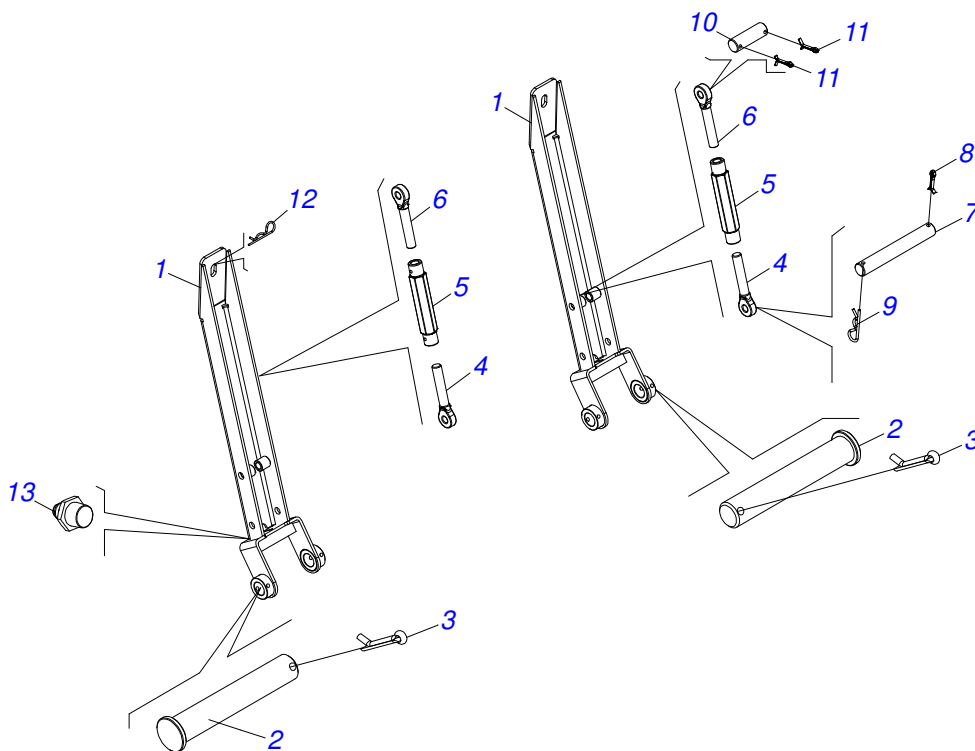
ARTICULATION



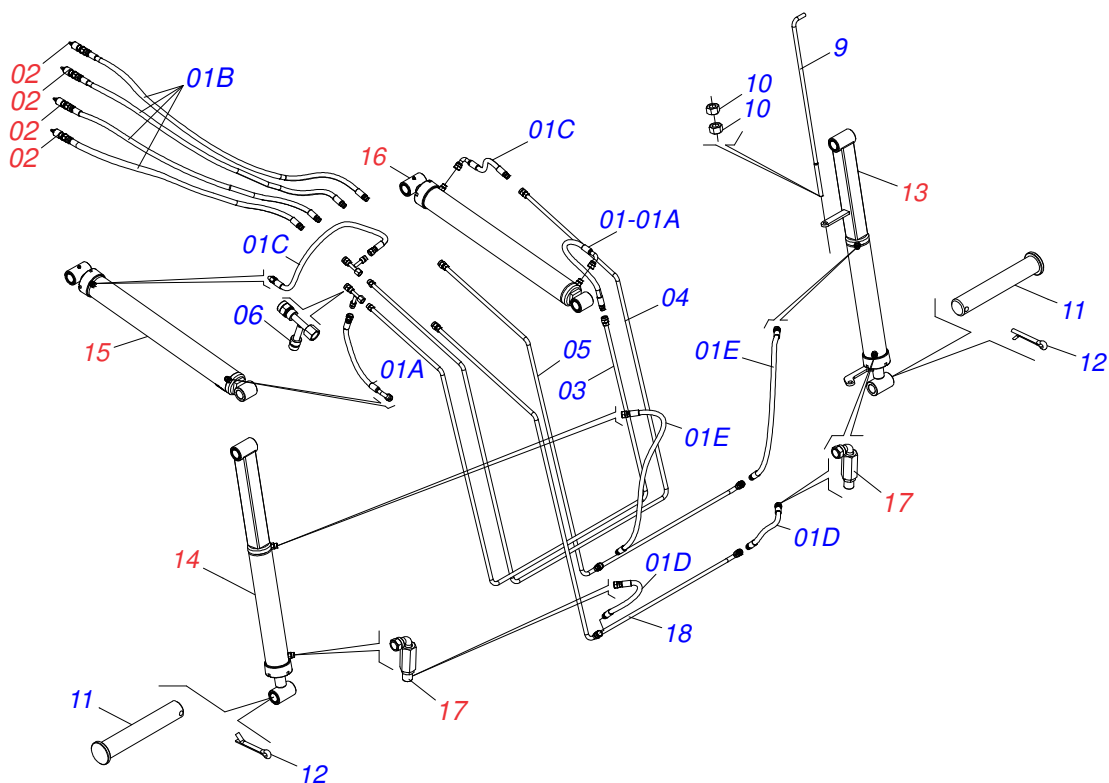
Item	Code	Description	See page	QT
01	0511043359	ARTICULATION ASSY	4	01
02	0511066079	LARGER COPY		01
03	0511066123	SMALLER COPY		02
04	0511066120	LEFT SMALLER COPY		02



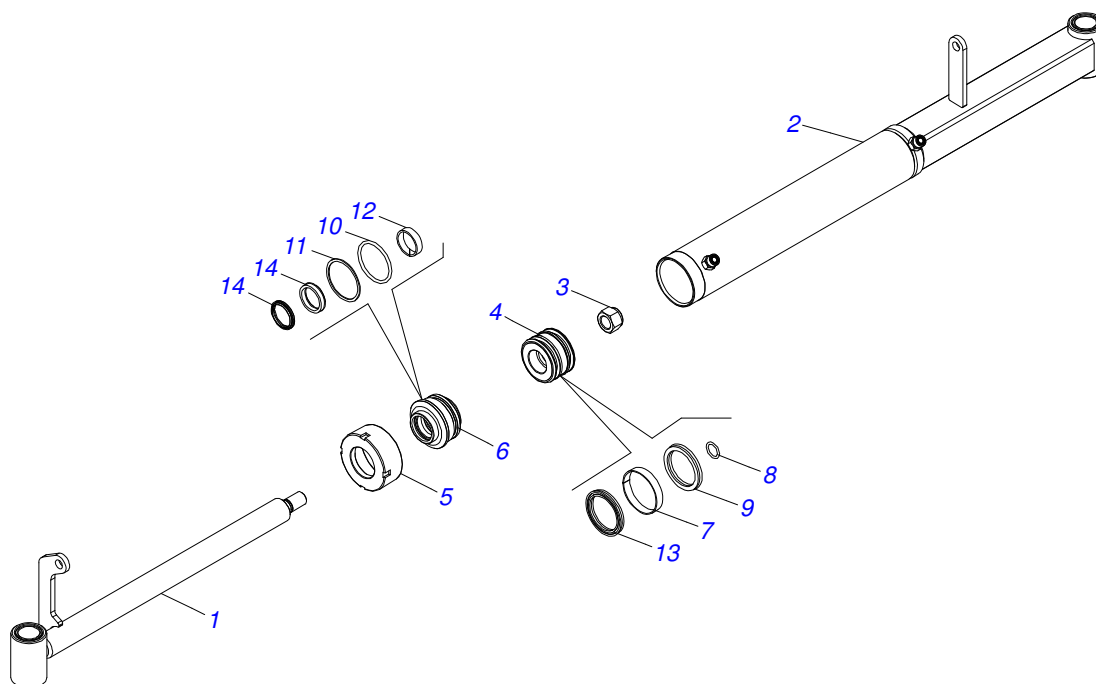
Item	Code	Description	See page	QT
01	0511066088	ARTICULATION		01
02	0521060524	DISARM LEVER		01
03	0503010071	3/16" X 1" COTTERPIN		01
04	0541014962	DISASSEMBLE TRIGGER		01
05	0503032132	COMPRESSION SPRING		01
06	0511066181	ARM DISARM		01
07	0541014964	BODY LEFT ARM DISARM		01
08	0503010849	3/8" X 1-1/2" BOLT		02
09	0503010025	3/8 SPRING WASHER		04
10	0503010026	3/8" NUT		04
11	0541014963	LOCK PIN PCA-T 1750		02
12	0501010096	3/8" X 2" BOLT		02
13	0503010285	2-222 N 3006-9B O'RING		04
14	0503031574	6.9" X 0.8" X 0.1" EXTENSION SPRING		01
15	0503010002	1800 GREASE FITTING		04
16	0503010571	1/4" X 1.1/2 COTTERPIN		01
17	0511017302	FLAT WASHER		01



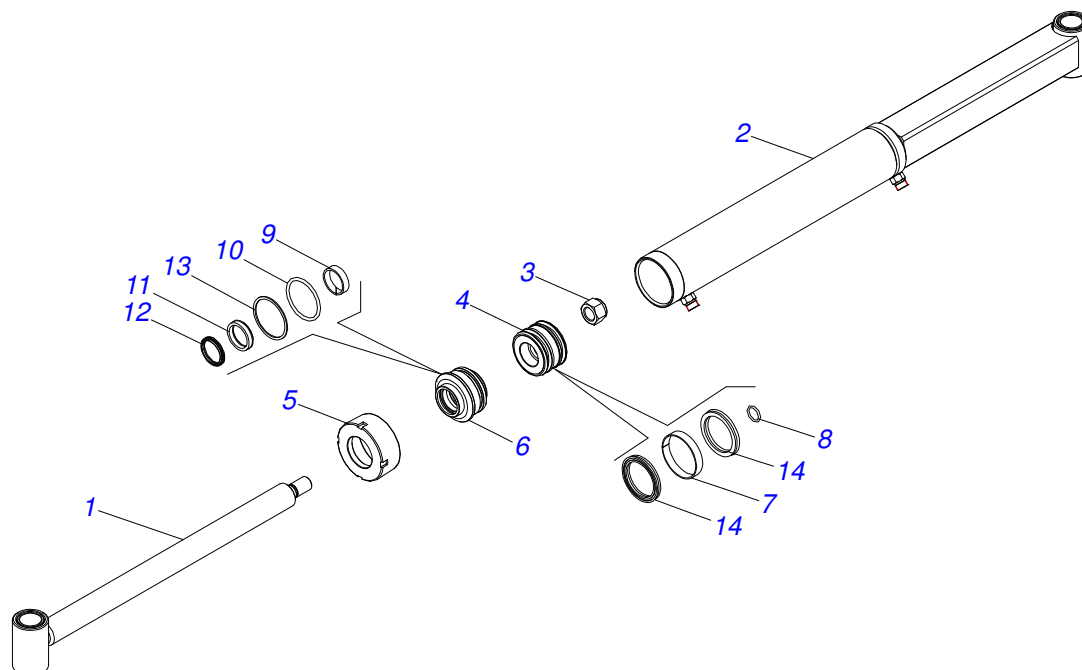
Item	Code	Description	See page	QT
01	0511066078	PLOUGH SUPPORT		02
02	0561015034	COUPLING SHAFT		02
03	0503010073	3/8 X 3-1/2 COTTERPIN		04
04	0502012562	LEFT SPINDLE R1 X 160 PCA		02
05	0502012530	REGULATOR NUT BODY R1 PCA		02
06	0502012529	RIGHT SPINDLE R1 X 160		02
07	0521012777	COUPLING SHAFT		02
08	0503010071	3/16" X 1" COTTERPIN		02
09	0503030168	HAIR PIN		02
10	0561015578	3/4 X 56 PCA VTR A750 COUPLING SHAFT		02
11	0503010300	5/32" X 1" COTTERPIN		04
12	0503030012	HAIR PIN		02
13	0503010002	1800 GREASE FITTING		06



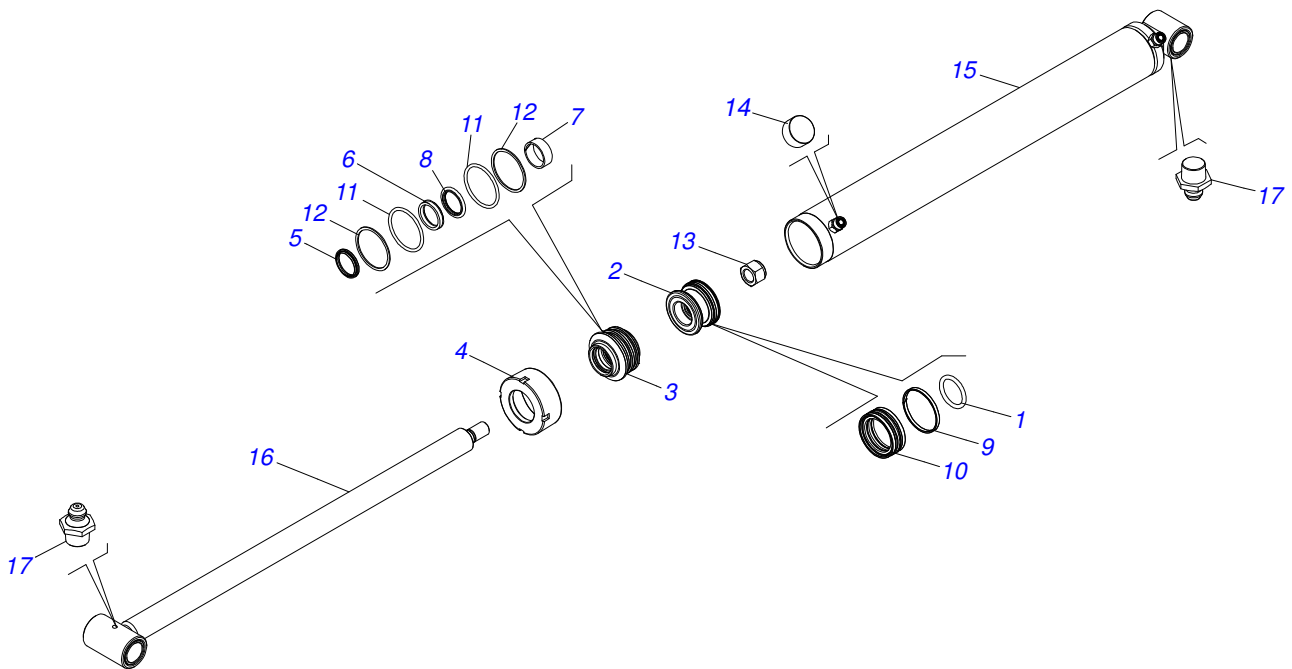
Item	Code	Description	See page	QT
01	0511057096	HOSE SET MOBILE SUPPORT		01
01A	0501080970	1/2" X 23.6" TR-TC OFS HOSE		02
01B	0501081002	1/2" X 700 TR-TR HOSE		04
01C	0501080969	1/2" X 750 TR-TC OFS HOSE		02
01D	0501081584	HOSE 1/2 X		02
01E	0501081084	HOSE		02
02	0501053834	MALE QUICK COUPLING AGRICULTURAL WITH 11 COVER - 1/2 NPT		04
03	0511066208	MOBILE SUPPORT CYL SMALLE TUBE		01
04	0511066209	MOBILE SUPPORT CYL LARGER TUBE		01
05	0511066211	PIVOT CYL SMALLE TUBE		01
06	0503030964	T CONNECTOR		02
07	0503011030	2-014 N 3006-9B O'RING		22
08	0503013527	CLAMP ZIPER		04
09	0561012100	ROD REGULACION		01
10	0503010013	5/8" NUT		02
11	0561015034	COUPLING SHAFT		06
12	0503010073	3/8 X 3-1/2 COTTERPIN		06
13	0511045574	HYDRAULIC CYLINDER	7	01
14	0511045575	HYDRAULIC CYLINDER	8	01
15	0511058003	HYDRAULIC CYLINDER	9	01
16	0511057996	HYDRAULIC CYLINDER	10	01
17	0511057810	CONJUNTO VÁLVULA DE SEGURIDAD	12	04
18	0511066210	PIVOT CYL LARGER TUBE		01



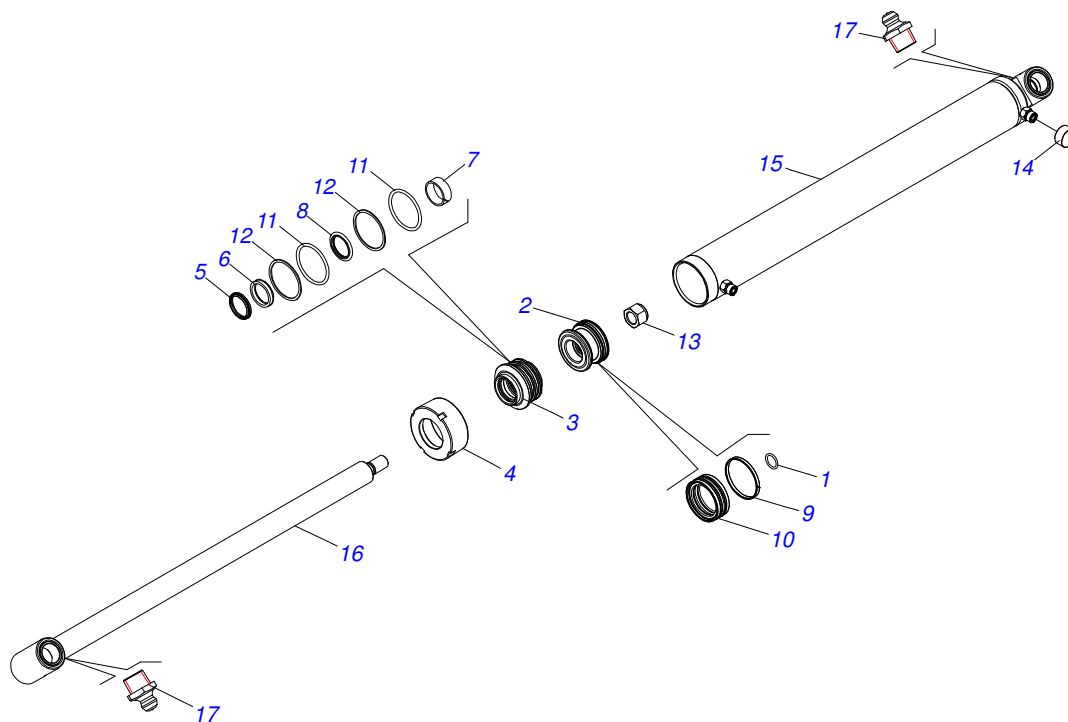
Item	Code	Description	See page	QT
01	0511068256	44,45 X 651 TURNBUCKLE		01
02	0511068254	2.4" X CYLINDER CASE		01
03	0503010063	1" SELF-ALIGNING NUT		01
04	0502010843	1.8" X 3.4" PISTON		01
05	0502010993	DETACHABLE COVER		01
06	0502010781	RING SUPPORT		01
07	0503010948	W4-3346-590 PK RING G.E		01
08	0503010042	2-214 N 3006-9B O'RING		01
09	0503010949	W2-2000-500 PK RING G.E		01
10	0503011060	8-336 BACK-UP RING		01
11	0503010976	2-336 N 3006-9B O'RING		01
12	0503010990	GASKET		01
13	0503010761	D-1750 SCRAPER RING		01
14	0503010170	PACKING 3120 2750		02
15	0501031796	HYDRAULIC CYLINDER REPAIR KIT		01



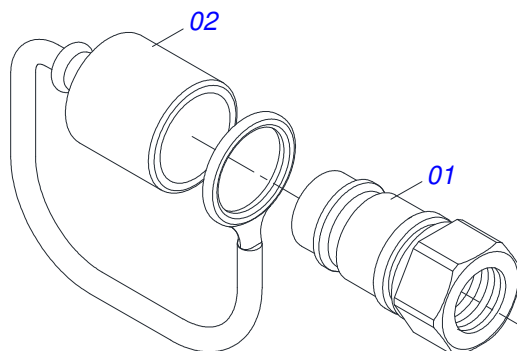
Item	Code	Description	See page	QT
01	0511068257	44,45 X 651 TURNBUCKLE		01
02	0511068255	CAMISA 85,72 X		01
03	0503010063	1" SELF-ALIGNING NUT		01
04	0502010843	1.8" X 3.4" PISTON		01
05	0502010993	DETACHABLE COVER		01
06	0502010781	RING SUPPORT		01
07	0503010948	W4-3346-590 PK RING G.E		01
08	0503010042	2-214 N 3006-9B O'RING		01
09	0503010949	W2-2000-500 PK RING G.E		01
10	0503011060	8-336 BACK-UP RING		01
11	0503010976	2-336 N 3006-9B O'RING		01
12	0503010990	GASKET		01
13	0503010761	D-1750 SCRAPER RING		01
14	0503010170	PACKING 3120 2750		02
15	0501031796	HYDRAULIC CYLINDER REPAIR KIT		01



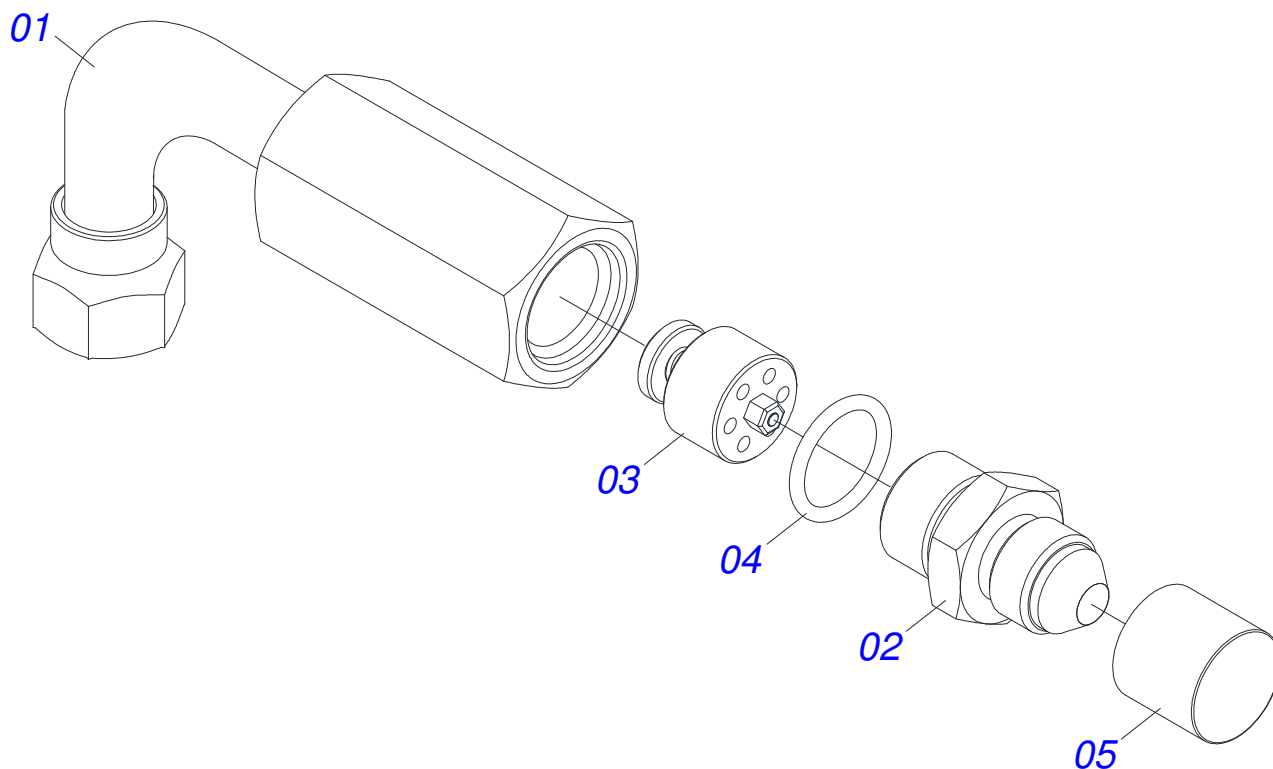
Item	Code	Description	See page	QT
01	0503010042	2-214 N 3006-9B O'RING		01
02	0571019710	1.7" X 3.4" PISTON		01
03	0571019711	RING SUPPORT		01
04	0571019709	DETACHABLE COVER		01
05	0503010761	D-1750 SCRAPER RING		01
06	0503017937	GASKET		01
07	0503017938	RING GUIDE		01
08	0503017936	RING		01
09	0503018144	RING		01
10	0503017935	RING		01
11	0503017939	2-337 N 3006-9B O' RING		02
12	0503017940	8-337 BACK-UP RING		02
13	0503010063	1" SELF-ALIGNING NUT		01
14	0503030387	PLUG		02
15	0521066473	CYLINDER CASE		01
16	0511066172	1.5" X 36.6" TURNBUCLE		01
17	0503010002	1800 GREASE FITTING		02
18	0511032281	HYDRAULIC CYLINDER REPAIR KIT		01



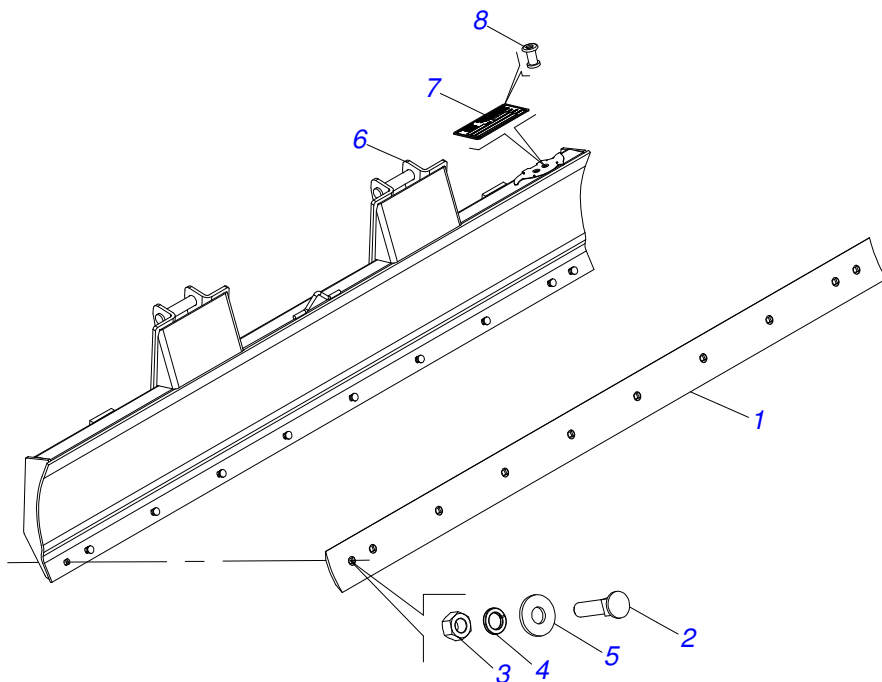
Item	Code	Description	See page	QT
01	0503010042	2-214 N 3006-9B O'RING		01
02	0571019710	1.7" X 3.4" PISTON		01
03	0571019711	RING SUPPORT		01
04	0571019709	DETACHABLE COVER		01
05	0503010761	D-1750 SCRAPER RING		01
06	0503017937	GASKET		01
07	0503017938	RING GUIDE		01
08	0503017936	RING		01
09	0503018144	RING		01
10	0503017935	RING		01
11	0503017939	2-337 N 3006-9B O' RING		02
12	0503017940	8-337 BACK-UP RING		02
13	0503010063	1" SELF-ALIGNING NUT		01
14	0503030387	PLUG		02
15	0511066174	CYLINDER CASE		01
16	0511066172	1.5" X 36.6" TURNBUCLE		01
17	0503010002	1800 GREASE FITTING		02
18	0511032281	HYDRAULIC CYLINDER REPAIR KIT		01



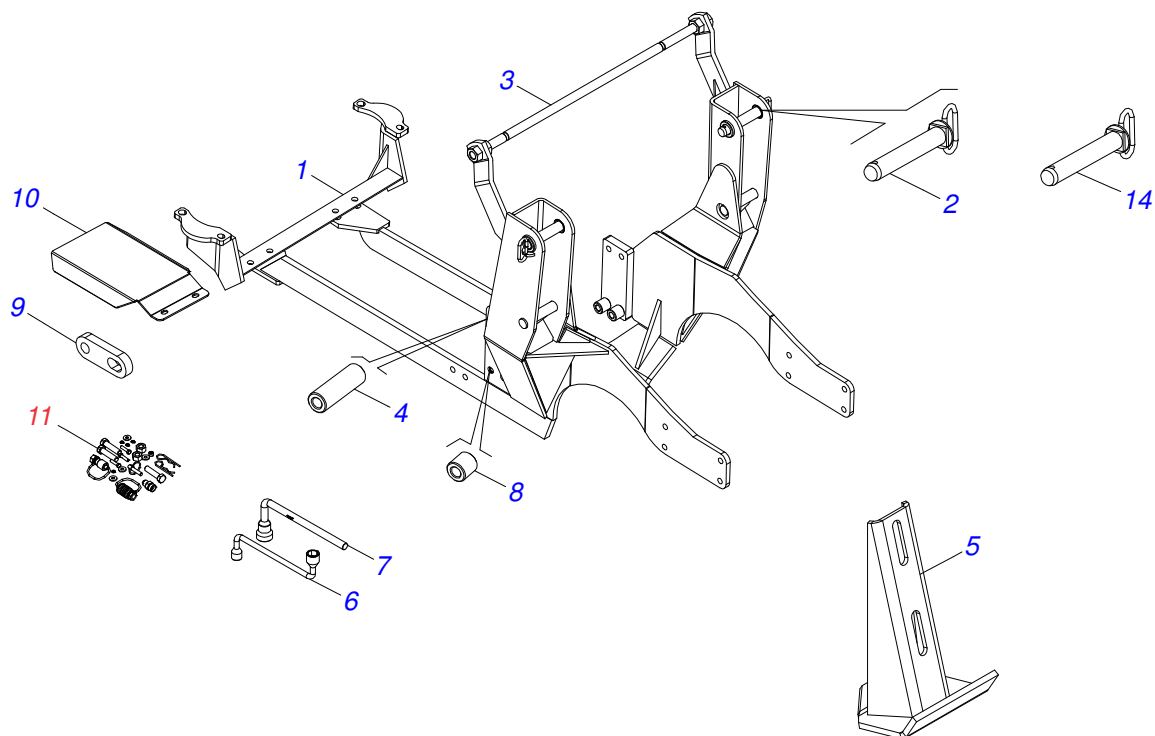
Item	Code	Description	See page	QT
01	0503011627	QUICK CONNECTION (MALE) AGR 1/2 NPT		01
02	0503011882	QUICK CONNECTION COVER		01



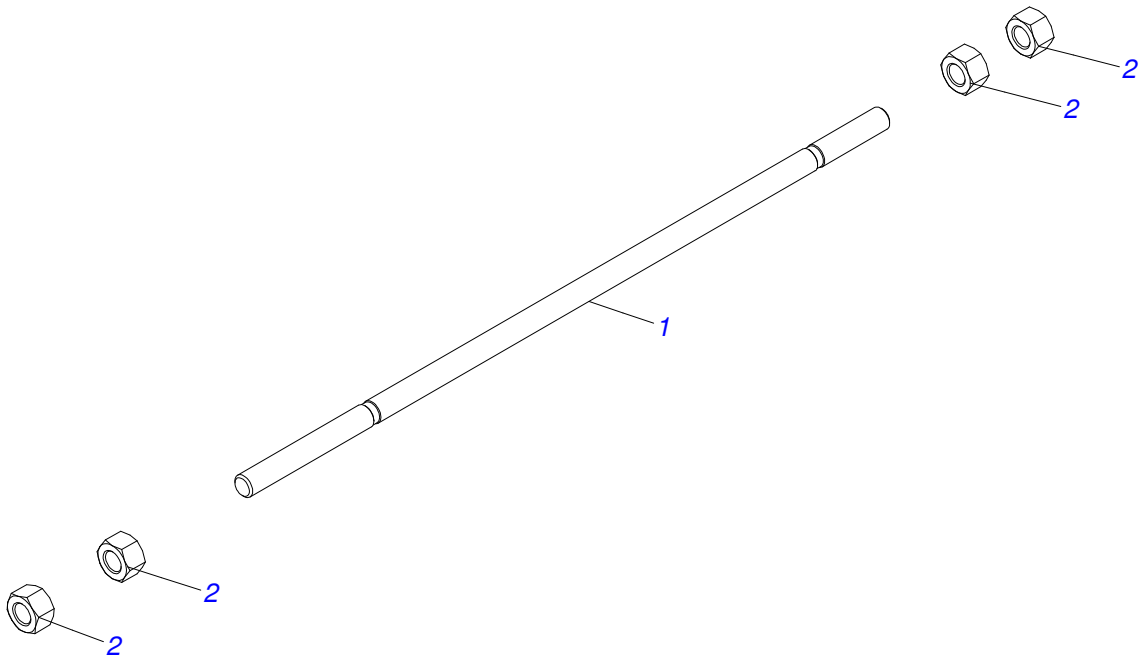
Item	Code	Description	See page	QT
001	0521067686	ADAPTER ASSY		01
002	0581014051	1/2" NIPPLE		01
003	0503016854	VALVE ASSY		01
004	0503010045	2-116 N 3006-9B O'RING		01
005	0503030385	CYLINDER PLUG N-002		01



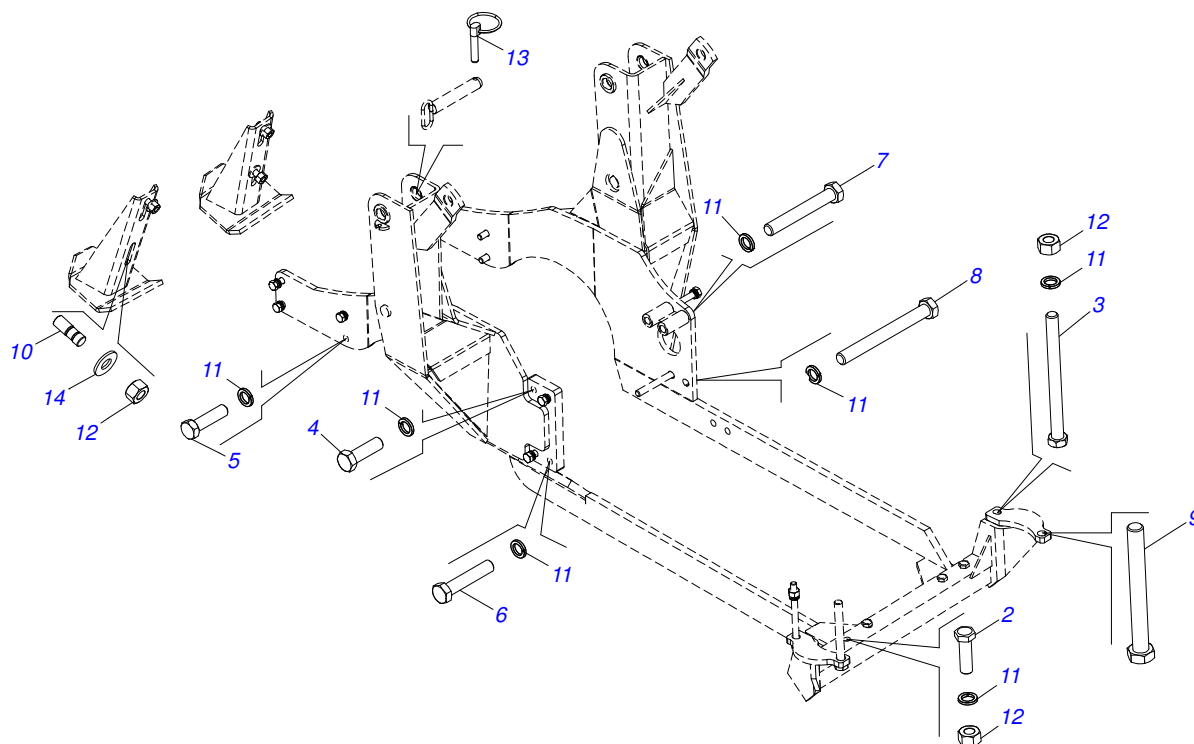
Item	Code	Description	See page	QT
01	0622360011	2600 SCRAPER REVERSIBLE		01
02	0501012240	5/8" X 2-1/2" BOLT		08
03	0503010013	5/8" NUT		08
04	0503011445	SPRING WASHER		08
05	0501012140	FLAT WASHER		08
06	0521061289	2400MM DOZER BLADE		01
07	0503034003	ALUMINUM IDENTIFICATION LABEL		01
08	0503010001	RIVET POP		04



Item	Code	Description	See page	QT
01	0521060106	FRAME FIXER SUPORT		01
02	0511064410	1.5" X 8.1" COUPLING SHAFT		02
03	0511047399	1.1/4" X 40" ROD	15	01
04	0561010487	22,23 X 44,45 X 137 SLEEVE		02
05	0501063411	ESTABILIZER BRACKET		02
06	0501068213	5/8" WRENCH DOUBLE		01
07	0501061617	1" GANG BOLT WRENCH		01
08	0561010578	22,23 X 44,45 X 45 SLEEVE		02
09	0561010484	FRAME BAR CHOCK		04
10	0561010518	HOSE ASSY PROTECTOR		01
11	0501037503	PACKED PARTS	16	01
12	0511032439	BAG WITH INSTRUCTION MANUAL		01
13	3914303117	BAG		02
14	0521066515	37,20 X 240 ARTICULATION SHAFT WITH HANDLE		02



Item	Code	Description	See page	QT
001	0561010598	1.1/4 UNC 7FPP X 1140 ROD		01
002	0501010087	1.1/4" NUT		04



Item	Code	Description	See page	QT
01	0503030011	PLASTIC BAG		01
02	0501010125	3/4" X 2-1/2" BOLT		04
03	0501010066	3/4" X 9" BOLT		04
04	0503013111	M20 X 2,5 X 65 BOLT		02
05	0503013112	M20 X 2,5 X 70 BOLT		08
06	0503013090	M20 X 2,5 X 100 BOLT		02
07	0503013365	M20 X 2,5 X 140 BOLT		02
08	0503015049	M20 X 2,5 X 190 BOLT		02
09	0501010064	1" X 9" BOLT		02
10	0561016756	3/4 UNC X 3/4 UNC X 56 PRISONER		04
11	0503010023	SPRING WASHER		26
12	0503010014	3/4" NUT		08
13	0503030430	7/16 X 2" PIN LOCK		04
14	0501010322	FLAT WASHER		16



05.03.06 2222

01



06

05.03.03.3429



03

05.03.03.1428



02

05.03.03.1087



05

05.03.03.4003



04

05.03.03.1827

Item	Code	Description	See page	QT
01	0503062222	SET LABEL ADHESIVE		01
02	0503031087	ADHESIVE LABEL		01
03	0503031428	ADHESIVE LABEL ATTENTION		01
04	0503031827	ADHESIVE LUBRICATION AND REAPERT LABEL		01
05	0503034003	ALUMINUM IDENTIFICATION LABEL		01
06	0503033429	ADHESIVE LABEL		01



MARCHESAN IMPLEMENTOS E MÁQUINAS AGRÍCOLAS TATU S.A.

AV. Marchesan, 1979 - Post office box, 131 - CEP 15994-900 - Matão - SP - Brazil

Phone +55 16.3382-8282

(FAX Parts) + 55 16.3382. 8297 - (Export) + 55 16.3382.1003

e.mail: tatu@marchesan.com.br www.marchesan.com.br

Technical Publications: Elaboration

LUIZ CANDIDO

Technical Publications: Revision

LUIZ CANDIDO

Contact Catálogo:

E-mail = jgaspari@marchesan.com.br

**ORIGINAL PARTS
TATU**

