

PARTS CATALOGUE

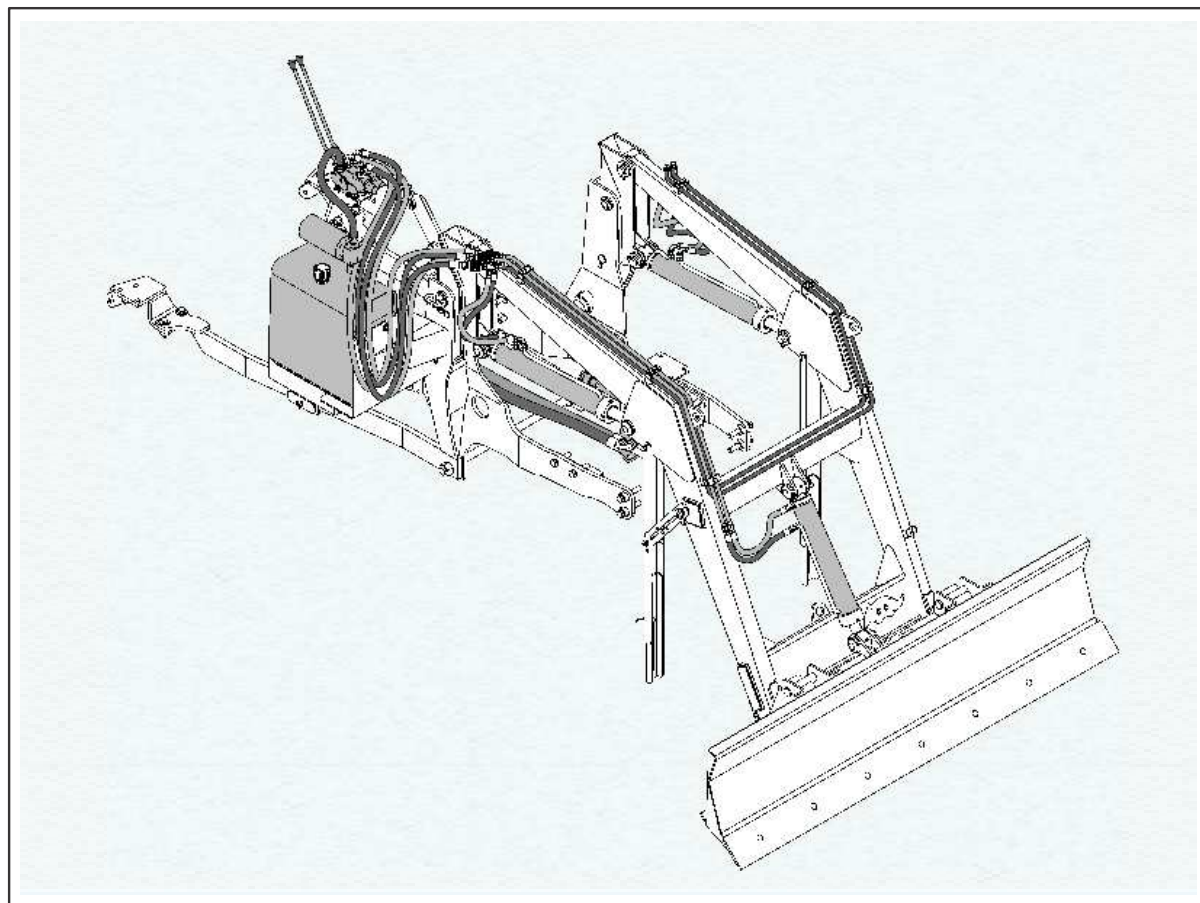
PCA - AGRICULTURAL FRONT LOADER

Code:

0501091887

Product:

PCA 600 NH TL 75/85/95E SHT CD

**Series:**

S-0713

Revision:

00

Date Revision:

ABRIL/2017



PRODUCTS

Code	Description
0106111422	PCA 600 NHTL 75/85/95E SHT CD

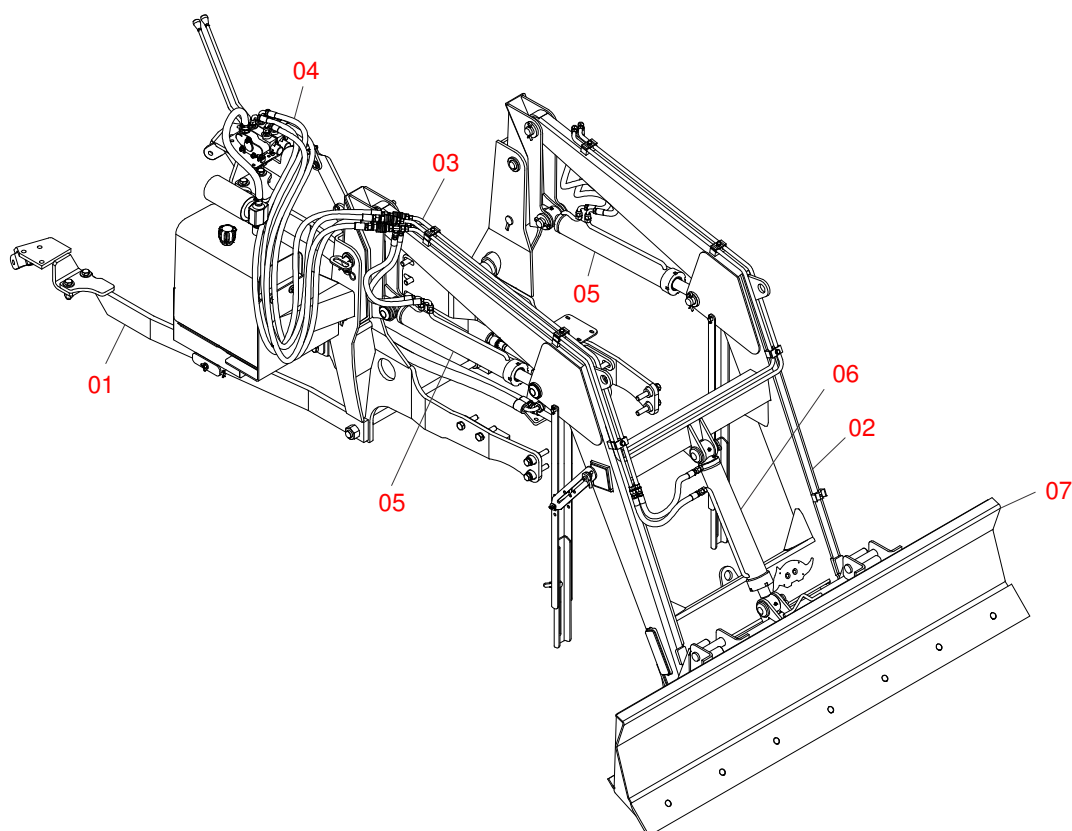
ATTENTION: IMPORTANT

Marchesan S.A. reserves the right to improve and / or modify the technical features of its products, without obligation to do the same with those products already sold and without prior knowledge of the dealer or the consumer.

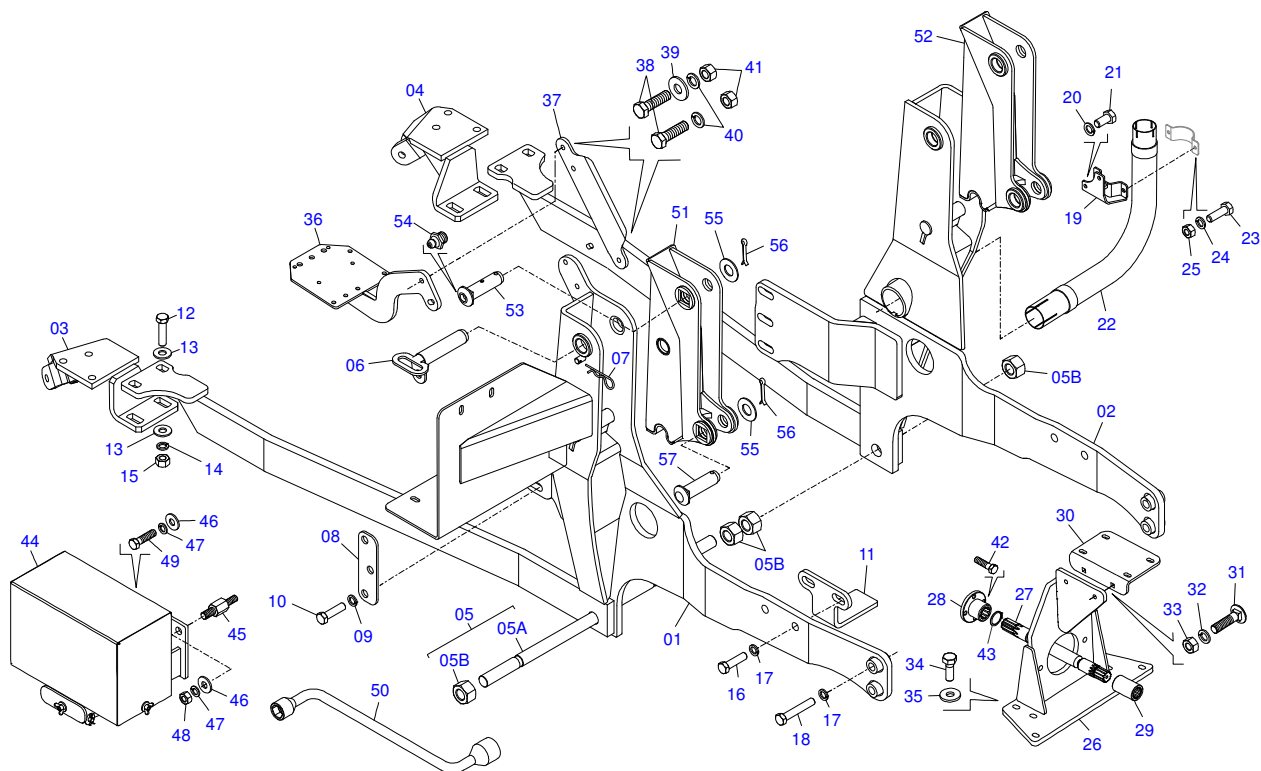


INDEX

0106111422	PCA 600 NHTL 75/85/95E SHT CD	0
0909092352	PCA 600 NH - SHT CD - FRAME ASSY	1
0909092340	MOVEL SUPPORT SET PCA 600	2
0909092341	HYDRAULIC CIRCUIT SUPPORT MOVEL PCA 600	3
0909092349	HYDRAULIC CIRCUIT	4
0511057917	HYDRAULIC CILINDER	5
0511057887	HYDRAULIC CYLINDER	6
0909092343	2200MM DOZER BLADE COMPLETE	7
0501047807	OIL RESERVOIR ASSY	8
0501041108	RETURNING FILTER ASSY	9
0521044522	40L PUMP WITH TUBE	10
0501041627	1/2" DOUBLE COMMAND	11
0501047446	CONTROL VALVE (P/COM 1/2 PCA)	12
0501053834	MALE QUICK COUPLER WITH CAP - 1/2 NPT	13
0501053835	FEMALE QUICK COUPLER	14



Item	Code	Description	See page
01	0909092352	PCA 600 NH - SHT CD - FRAME ASSY	1
02	0909092340	MOVEL SUPPORT SET PCA 600	2
03	0909092341	HYDRAULIC CIRCUIT SUPPORT MOVEL PCA 600	3
04	0909092349	HYDRAULIC CIRCUIT	4
05	0511057917	HYDRAULIC CILINDER	5
06	0511057887	HYDRAULIC CYLINDER	6
07	0909092343	2200MM DOZER BLADE COMPLETE	7

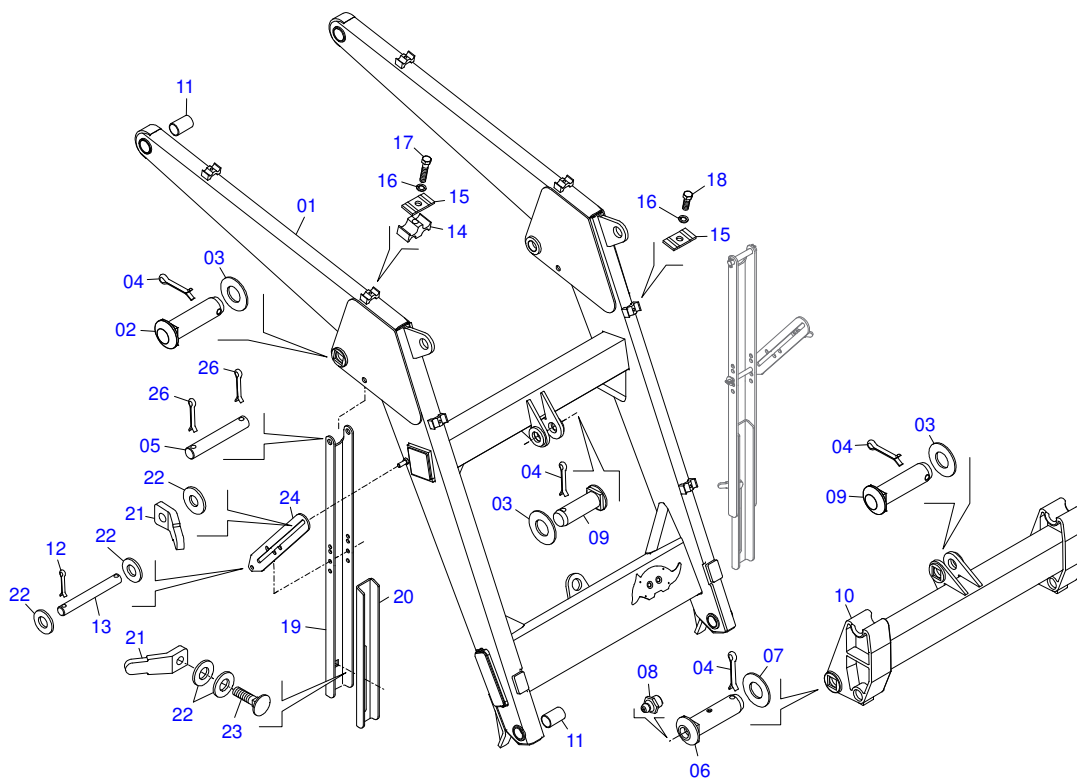


Item	Code	Description	See page	QT
01	0521064644	RIGHT FRAME		01
02	0521064252	LEFT FRAME PCA600 NHTL85E S713		01
03	0501069121	RH FRAME BRACKET		01
04	0501069122	LH FRAME BRACKET		01
05	0501042819	1.1/4"NC X 33.46" ROD FULL		01
05A	0501018845	1.1/4" X 33.46" ROD		01
05B	0501810087	NUT - 1.1/4 UNC 7FPP (SEXT.2) SA		04
06	0521061682	AXLE FIXER		02
07	0503030012	HAIR PIN		02
08	0571014582	SPACER PCA/PD NHTL85E		02
09	0503010023	3/4" SPRING WASHER		06
10	0503013111	M20 X 2,5 X 65 BOLT		06
11	0571014616	BEATER PCA/PD NHTL85E S0713		02
12	0501010500	3/4"X3"BOLT		04
13	0501010322	FLAT WASHER		08
14	0503010023	3/4" SPRING WASHER		04
15	0503010014	3/4" NUT		04
16	0503812693	M16 X 2 X 75 C S BOLT 8.8 SA		04
17	0503010023	3/4" SPRING WASHER		08
18	0503013366	M20 X 2,5 X 110 BOLT		04
19	0521065454	FASTENER ASSY PCA NH TL 75/85/95E		01
20	0503010025	3/8" SPRING WASHER		02
21	0503011334	BOLT 3/8 UNC X 3/4 CS G.5 ZN		02
22	0503062302	EXTENSION		01
23	0503810363	SCREW 5/16		02
24	0503010179	5/16" ZN SPRING WASHER		02
25	0503810337	5/16" NUT SA		02
26	0521065185	PUMP SUPPORT		01
27	0501068905	320 X 1.1/8 AXLE		01
28	0503050064	FLANGE COUPLING		01
29	0503030838	1-1/8" X 2.4" SLEEVE		01

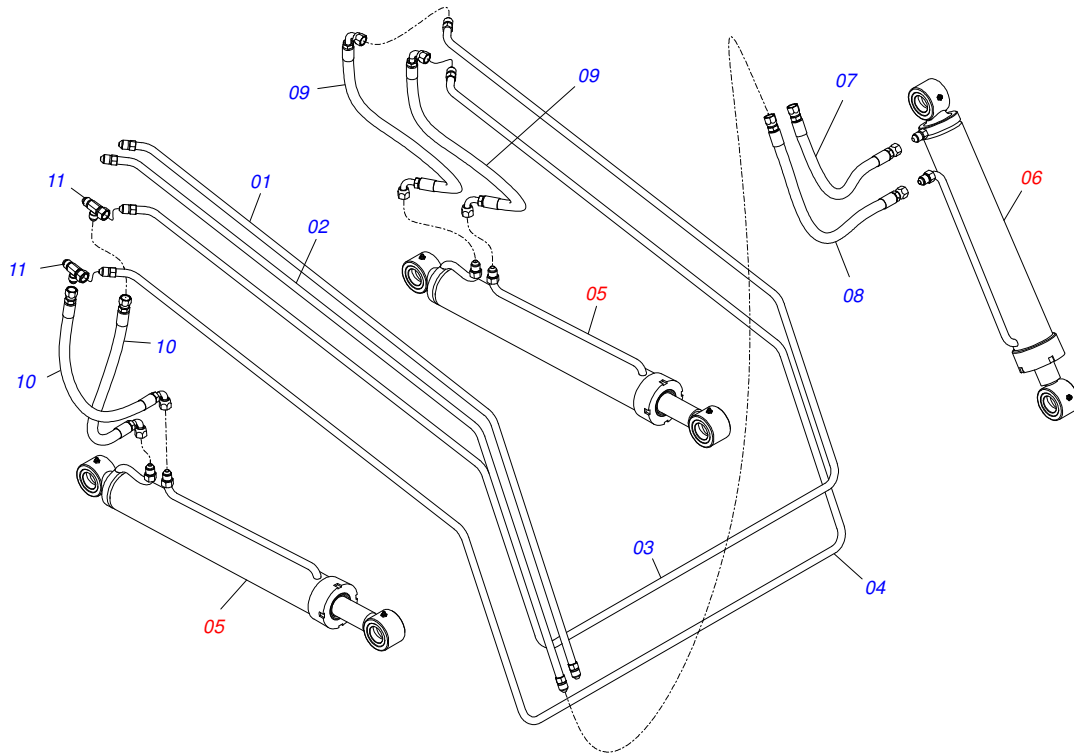


PCA 600 NH TL 75/85/95E SHT CD
PCA 600 NH - SHT CD - FRAME ASSY

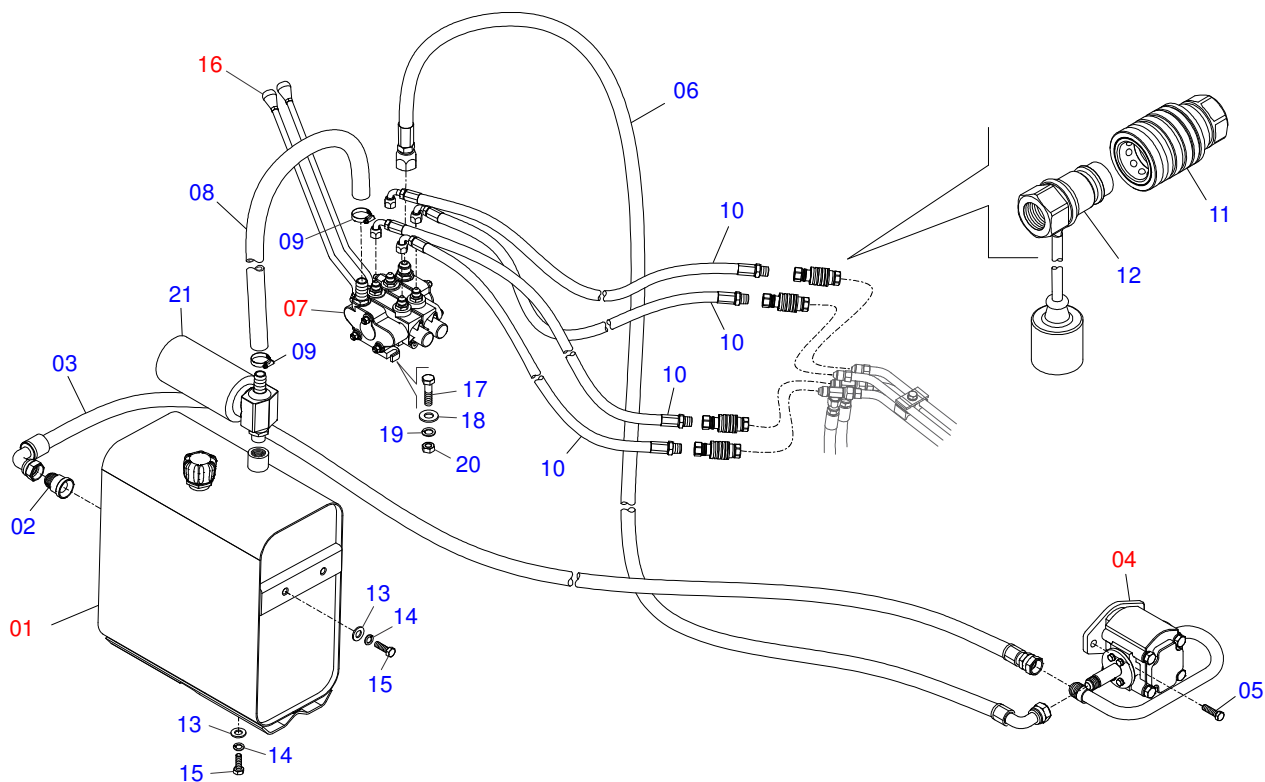
Item	Code	Description	See page	QT
30	0571016976	FILTER SUPPORT		01
31	0503811762	5/16" BOLT		02
32	0503010179	5/16" ZN SPRING WASHER		02
33	0503810337	5/16" NUT SA		02
34	0503015112	M10 X 1,5 X 30 BOLT		04
35	0501010984	FLAT WASHER		04
36	0521064944	SUPPORT COMMAND PCA 800 NH TL 95E S414		01
37	0571016147	COMMAND SUPPORT FIXER PCA 800 NHTL 95E S414		01
38	0503011082	C1/2" X 1.3/4" SCREW		04
39	0511017302	FLAT WASHER		02
40	0503010019	1/2" SPRING WASHER		04
41	0503010060	1/2" NUT		04
42	0503011082	C1/2" X 1.3/4" SCREW		02
43	0503010174	501028 CLAMPING RING (FOR AXLE)		02
44	0511044960	BATTERY BOX		01
45	0581012087	M16 PRISONER		01
46	0501012140	FLAT WASHER		03
47	0503010023	3/4" SPRING WASHER		03
48	0503010014	3/4" NUT		01
49	0503016827	M16 X 1,5 X 50 C S F 12.9 ZN BOLT		02
50	0501068213	5/8" WRENCH DOUBLE		01
51	0521064354	MOBILE TOWER RIGHT - PCA NH TL85E/CASE80		01
52	0521064355	MOBILE TOWER LEFT - PCA NH TL85E/CASE80		01
53	0511019519	1.5" X 1.4" PIVOT SHAFT		02
54	0503010002	1800 GREASE FITTING		02
55	0511019685	FLAT WASHER		04
56	0503010534	3/8 X 2-1/2 COTTERPIN		04
57	0511019520	1.5" X 1.4" PIVOT SHAFT		02



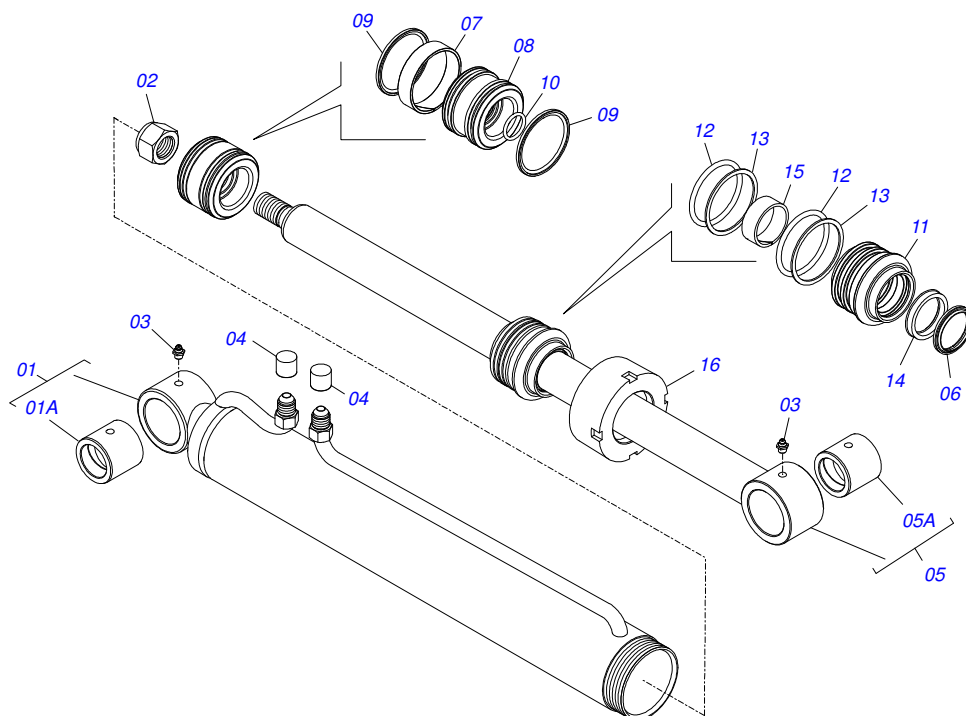
Item	Code	Description	See page	QT
01	0501069933	MOBILE SUPPORT PCA 600 AX 5.80		01
02	0521010904	1.5" X 1.4" PIVOT SHAFT		02
03	0511019685	FLAT WASHER		04
04	0503010534	3/8 X 2-1/2 COTTERPIN		10
05	0511013598	3/4" X 4.7" COUPLING SHAFT		02
06	0511019519	1.5" X 1.4" PIVOT SHAFT		02
07	0501012916	FLAT WASHER 38,50 X 66 X 4,75 ZN		02
08	0503010002	1800 GREASE FITTING		04
09	0511019521	1.5" X 1.4" PIVOT SHAFT		02
10	0501069934	ARTÍCULOS SOPORTE PCA 600 AX 5.80-4		01
11	0501110253	BUSHING 37,70 X 55 X 70 PCA		04
12	0503010071	3/16" X 1" COTTERPIN		04
13	0521012823	COUPLING SHAFT		02
14	0502012702	BODY SUPPORT CLAMP		03
15	0531011180	UPPER BODY CLIP		05
16	0503010180	7/16" SPRING WASHER		05
17	0503012555	SCREW 7/16 UNC X 2 CS RT G.7 ZN		03
18	0503011102	BOLT 7/16 UNC X 1.1/4 C S G.5 ZN		03
19	0561016401	PLOUGH SUPPORT BODY		02
20	0561016619	COMPLEMENTON REST		02
21	0561016329	LATCH HOLDER REST PCA		04
22	0511017302	FLAT WASHER		10
23	0503014378	1/2" X 1-1/2" BOLT		02
24	0511019634	CONTROL LOCK		02
26	0503010071	3/16" X 1" COTTERPIN		04



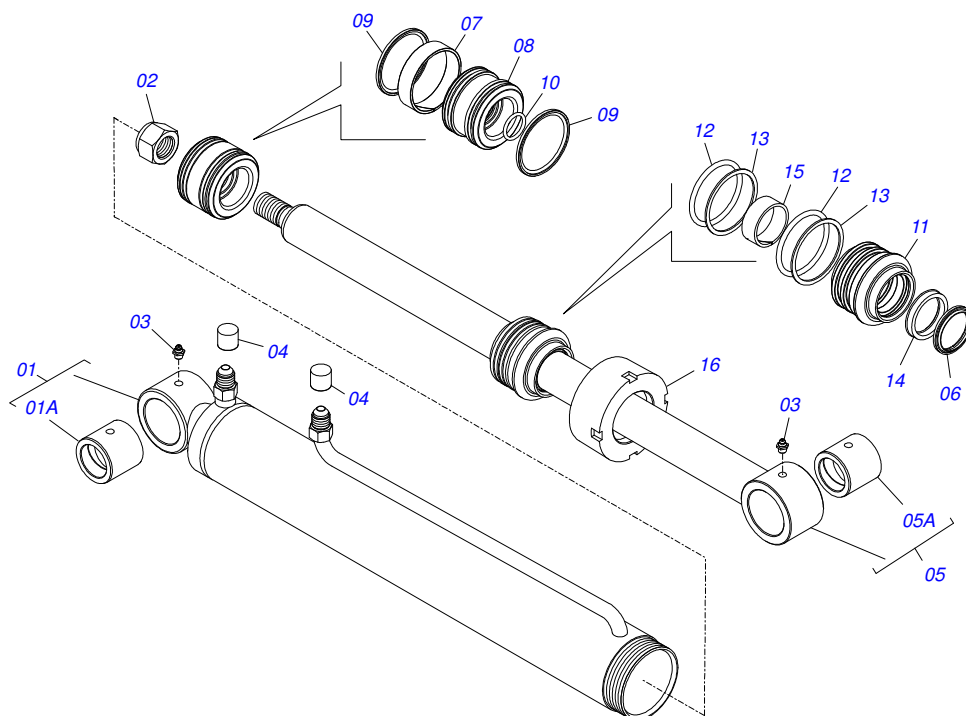
Item	Code	Description	See page	QT
01	0501068615	OIL TUBE ASSY		01
02	0521062856	INTERNAL LOWER OIL DISTRIBUTOR		01
03	0511060287	INNER OIL TUBE PCA AX 5.80-4		01
04	0511060288	OUTER OIL TUBE PCA AX 5.80-4		01
05	0511057917	HYDRAULIC CILINDER	5	02
06	0511057887	HYDRAULIC CYLINDER	6	01
07	0501080635	3/8" X 19" TR-TR HOSE		01
08	0501080709	3/8" X 21.6" TR-TR HOSE		01
09	0501080688	3/8" X 25" TC-TC 90G HOSE		02
10	0501080599	3/8 X 650 TC-TR HOSE		02
11	0503011968	3/4" 8R6X-S T ADAPTER WITH SWIVEL NUT		02



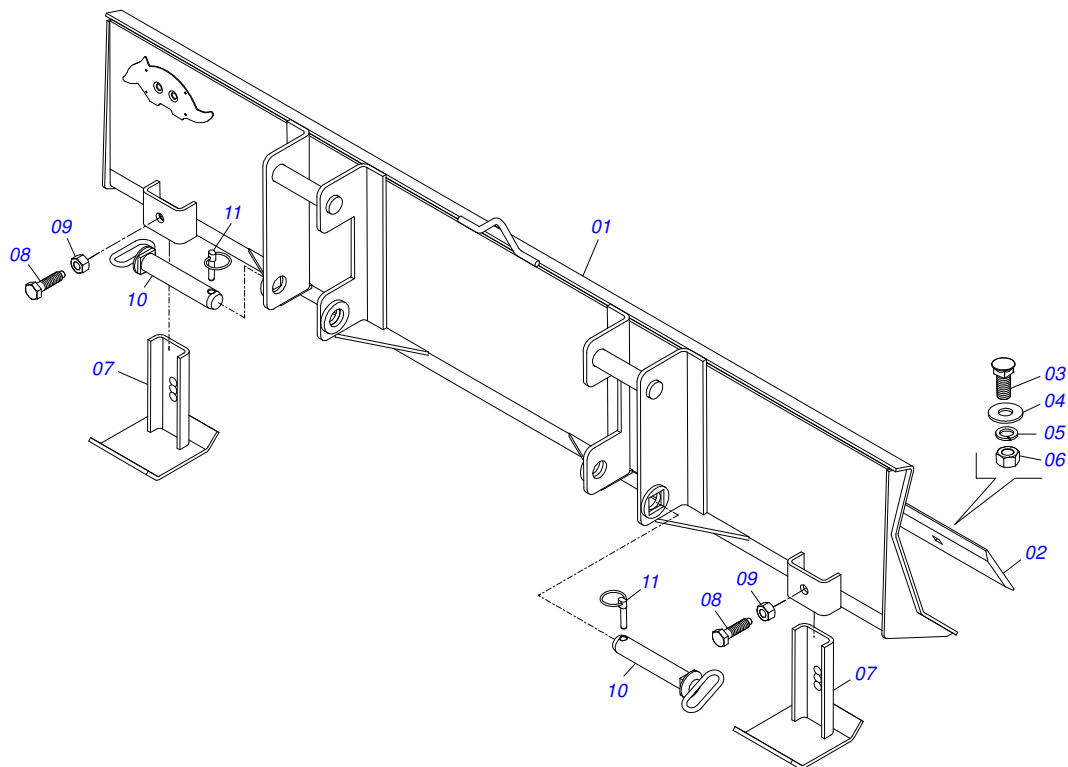
Item	Code	Description	See page	QT
01	0501047807	OIL RESERVOIR ASSY	8	01
02	0571015318	1.5/16UN NIPPLE		01
03	0501081914	1 X 2850 TR-TC HOSE		01
04	0521044522	40L PUMP WITH TUBE	10	01
05	0503011082	C1/2" X 1.3/4" SCREW		02
06	0501080873	HOSE 3/4 X 2800 TR-TC		01
07	0501041627	1/2" DOUBLE COMMAND	11	01
08	0501018430	1" X 35.4" TC-TM HOSE ASSY		01
09	0503010184	CLAMP		02
10	0501080883	TC-TM 3/8" X 59.06" HOSE ASSY		04
11	0501053835	FEMALE QUICK COUPLER	14	02
12	0501053834	MALE QUICK COUPLER WITH CAP - 1/2 NPT	13	02
13	0511017302	FLAT WASHER		04
14	0503010019	1/2" SPRING WASHER		04
15	0503014007	1/2" X 1-1/4" BOLT		04
16	0501047446	CONTROL VALVE (P/COM 1/2 PCA)	12	02
17	0503010849	3/8" X 1-1/2" BOLT		03
18	0501010984	FLAT WASHER		03
19	0503010025	3/8" SPRING WASHER		03
20	0503010026	3/8" NUT		03
21	0501041108	RETURNING FILTER ASSY	9	01



Item	Code	Description	See page	QT
01	0521064582	Ø76,20 X 630 CYLINDER CASE		01
01A	0521010514	38,1 X 52,9 X 50 SLEEVE INTER		01
02	0503010063	1" SELF-ALIGNING NUT		01
03	0503010002	1800 GREASE FITTING		02
04	0503030385	CYLINDER PLUG N-002		02
05	0521066424	AIR TURNBUCKLE		01
05A	0501110275	BUSHING COUPLING 75 X 38,1 X 50		01
06	0503010761	D-1750 SCRAPER RING		01
07	0503018140	RING GUIDE		01
08	0581010304	PISTON		01
09	0503018138	RING BS		02
10	0503010042	2-214 N 3006-9B O'RING		01
11	0581010301	RING SUPPORT		01
12	0503010343	2-334 N 3006-9B O'RING		02
13	0503011059	8-334 BACK-UP RING		02
14	0503017937	GASKET		01
15	0503017938	RING GUIDE		01
16	0502011899	MOBILE COVER		01

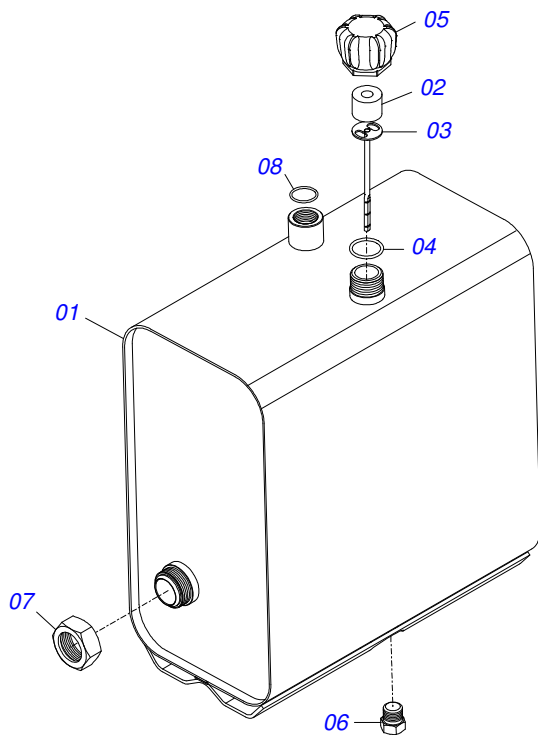


Item	Code	Description	See page	QT
01	0511063212	3" X 23" CYLINDER CASE		01
01A	0521010514	38,1 X 52,9 X 50 SLEEVE INTER		01
02	0503010063	1" SELF-ALIGNING NUT		01
03	0503010002	1800 GREASE FITTING		02
04	0503030385	CYLINDER PLUG N-002		02
05	0521066425	TURNBUCKLE - 44,45 X 605 PCA 600		01
05A	0501110275	BUSHING COUPLING 75 X 38,1 X 50		01
06	0503010761	D-1750 SCRAPER RING		01
07	0503018140	RING GUIDE		01
08	0581010304	PISTON		01
09	0503018138	RING BS		02
10	0503010042	2-214 N 3006-9B O'RING		01
11	0581010301	RING SUPPORT		01
12	0503010343	2-334 N 3006-9B O'RING		02
13	0503011059	8-334 BACK-UP RING		02
14	0503017937	GASKET		01
15	0503017938	RING GUIDE		01
16	0502011899	MOBILE COVER		01

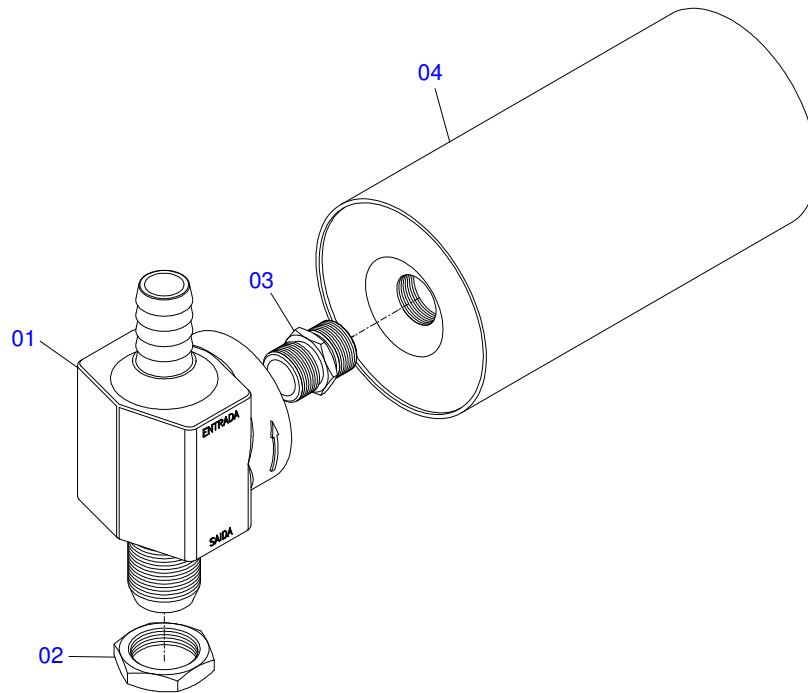


Item	Code	Description	See page	QT
01	0511064165	BLADE FRONT		01
02	0531019518	SCRAPER 2220 X 6 X 1/2		01
03	0501812239	5/8 UNC X 1.3/4 - SPECIAL BOLT		07
04	0571810265	FLAT WASHER		07
05	0503011445	SPRING WASHER		07
06	0503810013	NUT 5/8 NC		07
07	0511064780	SHOE SLIDE LIGHT STABILIZING		02
08	0501018246	3/4" X 3" BOLT		02
09	0503010014	3/4" NUT		02
10	0521063680	HITCH PIN (185) SAB PCA800		02
11	0503030430	7/16 X 2" PIN LOCK		02

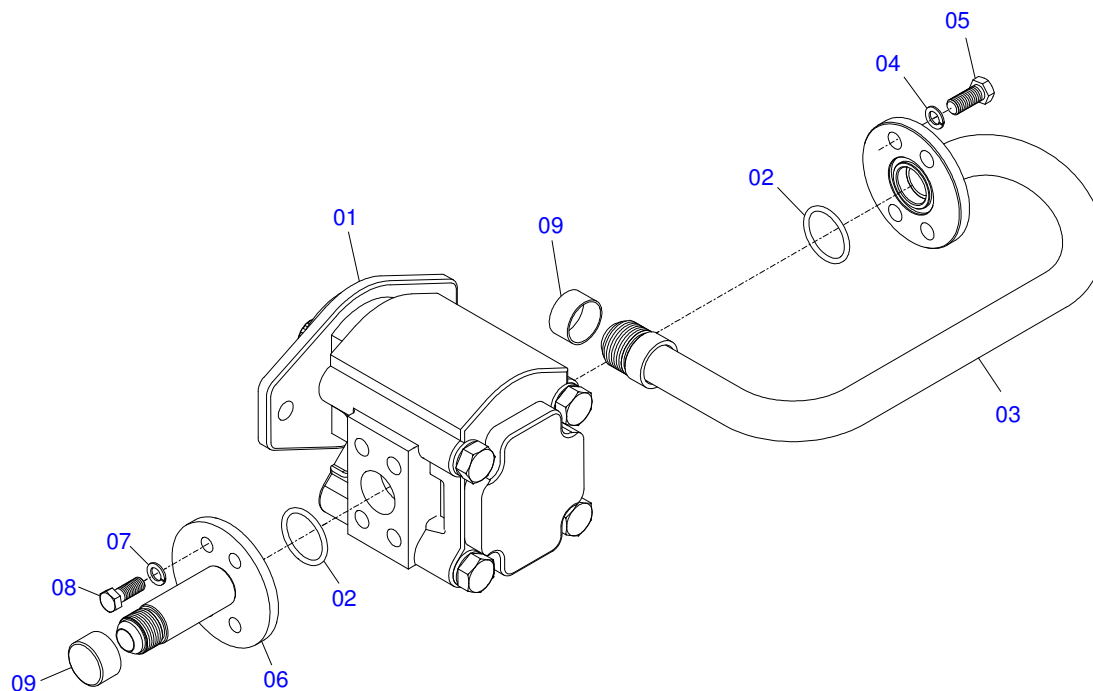
OIL RESERVOIR ASSY



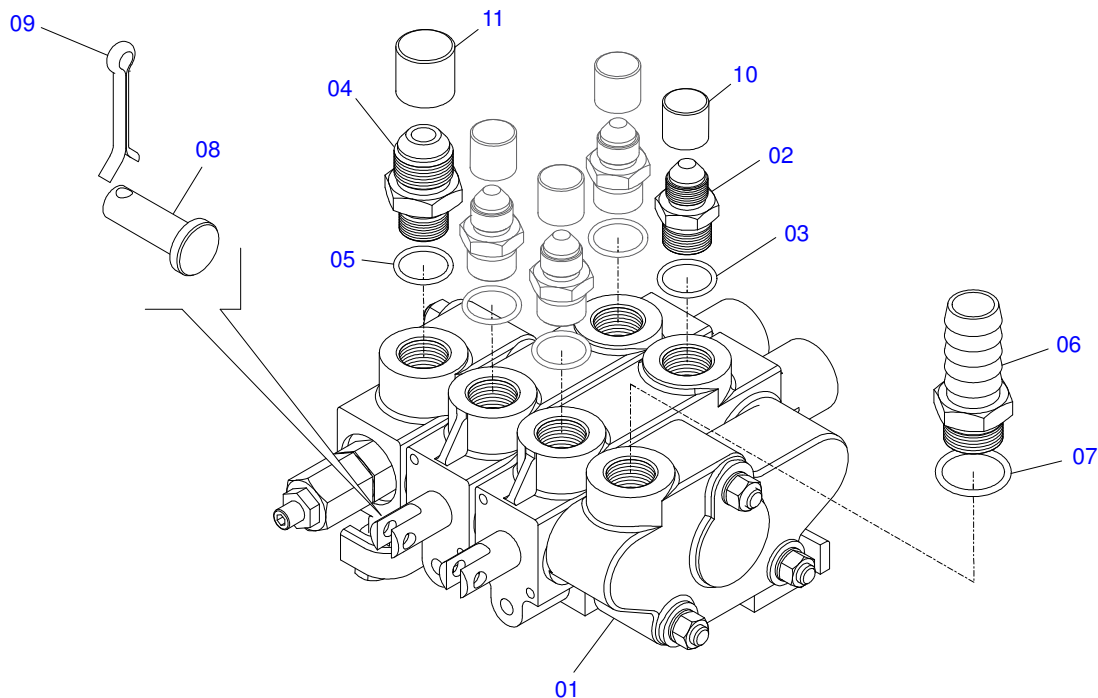
Item	Code	Description	See page	QT
01	0501068880	OIL RESERVOIR		01
02	0503030044	FILTERING ELEMENT		01
03	0501060975	OIL GAGE		01
04	0503010185	2-221 N 3006-9B O'RING		01
05	0502020472	FRONTAL COVER		01
06	0503031604	1/2" BSP PLUG		01
07	0501016309	2" 1X 2.5/16" NUT		01
08	0503010046	2-216 N 3006-9B O'RING		01



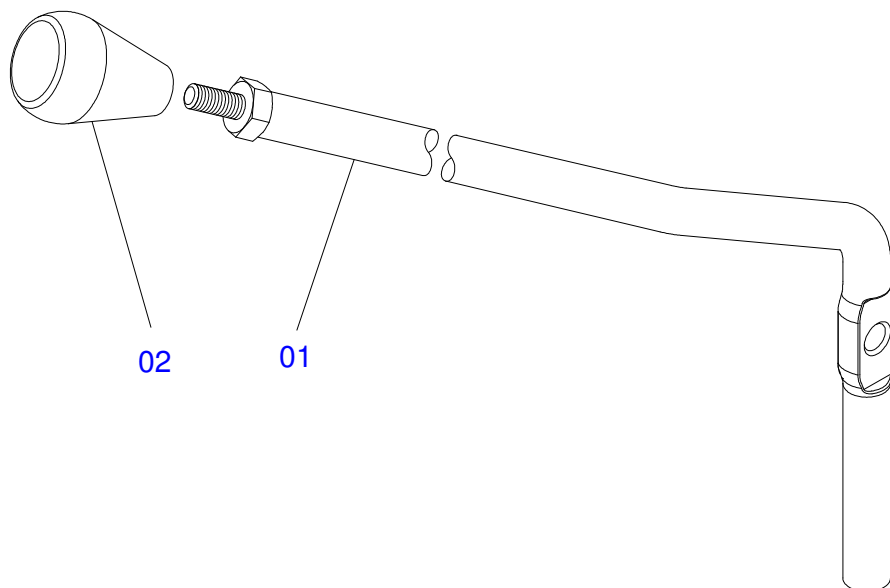
Item	Code	Description	See page	QT
01	0502050002	RETURNING FILTER HEAD		01
02	0501010594	1" NUT		01
03	0501010595	1" NF NIPPLE		01
04	0503010183	RETURNING FILTER		01



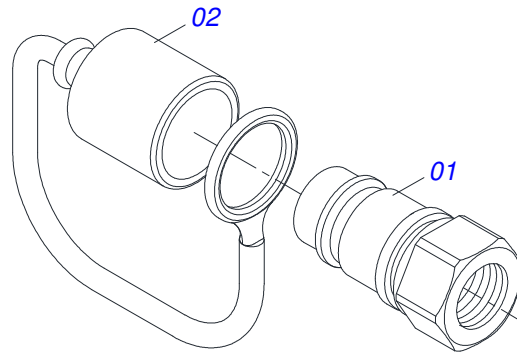
Item	Code	Description	See page	QT
01	0503060153	40L 1/2" PUMP		01
02	0503010173	2-220 N 3006-9B O'RING		02
03	0521065083	PUMP SUCTION TUBE		01
04	0503010180	7/16" SPRING WASHER		04
05	0503010355	7/16" X 1" BOLT		04
06	0501064151	PUMP PRESSURE TUBE		01
07	0503010025	3/8" SPRING WASHER		04
08	0503011087	3/8" X 1" BOLT		04
09	0503030388	PLUG N-005		01



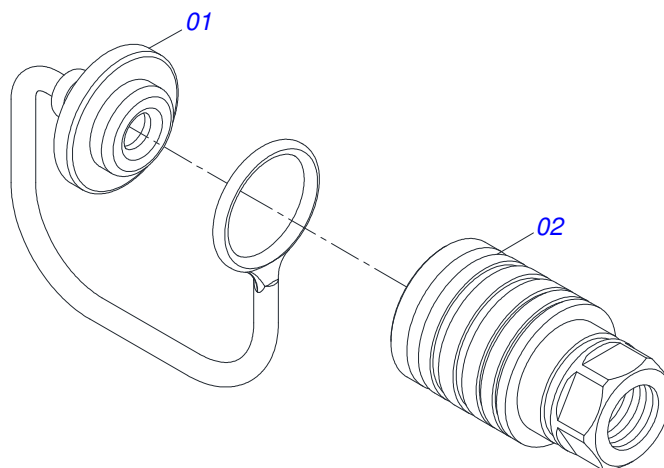
Item	Code	Description	See page	QT
01	0503060016	1/2"DOUBLE COMMAND		01
02	0511010111	7/8" NIPPLE		04
03	0503010045	2-116 N 3006-9B O'RING		04
04	0501010589	R. 1.1/16UN SEXT 1.1/4 X 52 NIPPLE		01
05	0503011109	2-119 N 3006-9B O'RING		01
06	0501010591	HOSE NIPPLE		01
07	0503011109	2-119 N 3006-9B O'RING		01
08	0521010533	0.3" X 1" COUPLING SHAFT		02
09	0503010140	1/8" X 3/4" COTTERPIN		02
10	0503030385	CYLINDER PLUG N-002		04
11	0503030388	PLUG N-005		01



Item	Code	Description	See page	QT
01	0501047446	CONTROL VALVE (P/COM 1/2 PCA)	12	02
02	0503030878	LEVER CRANK		02



Item	Code	Description	See page	QT
01	0503011627	MALE QUICK COUPLER AGR 1/2 NPT		01
02	0503011882	MALE QUICK COUPLER CAP		01



Item	Code	Description	See page	QT
01	0503011883	QUICK CONNECTION COVER		01
02	0503011628	FEMALE QUICK COUPLER		01



www.marchesan.com.br



Technical Publications | Elaboration and Revision
JOÃO VIRGINIO ROCHA