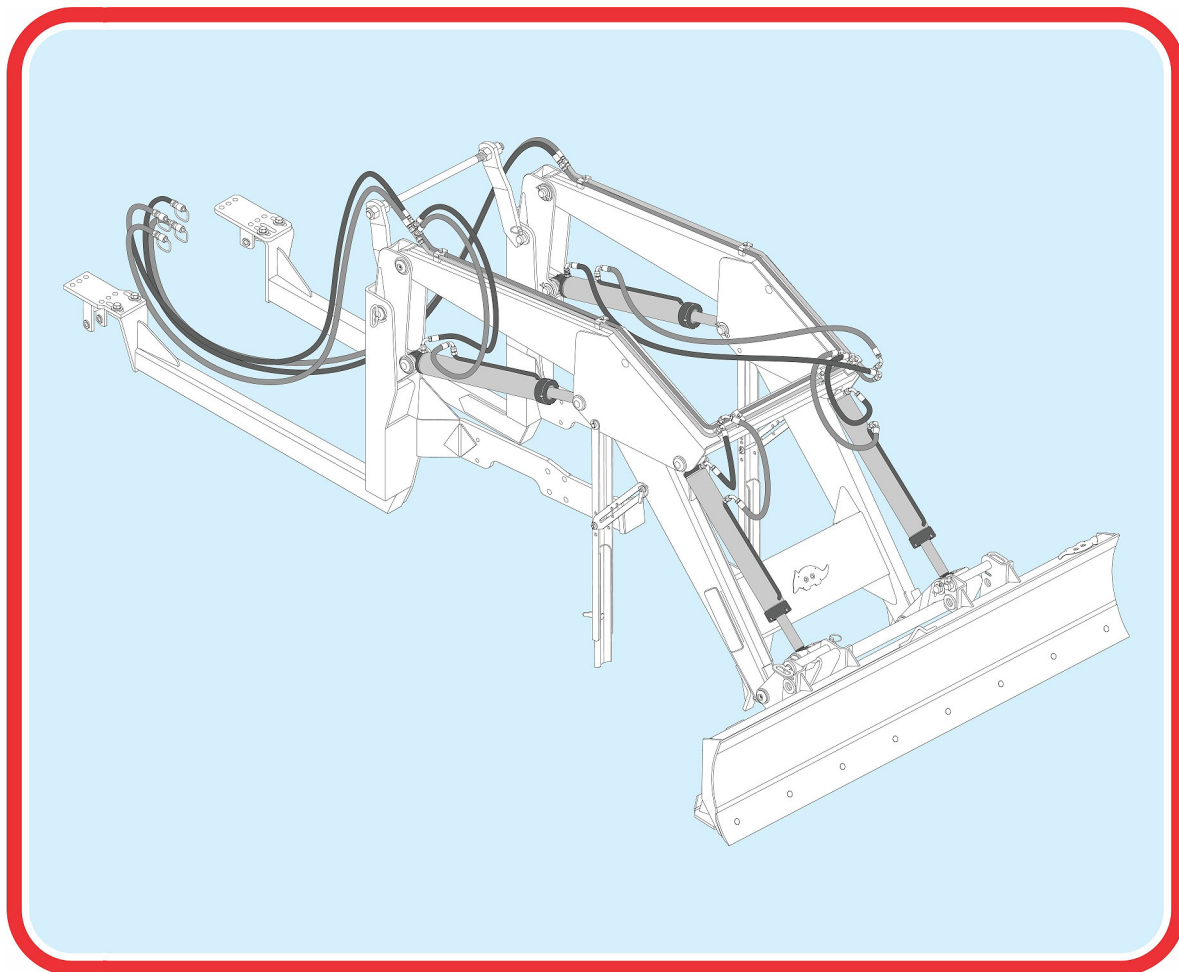


PARTS CATALOG

AGRICULTURAL FRONT LOADER

PCA 800 MF 5275-4 EXP BT SC

Code: 0501091885



Series: S-1107

Review: MARÇO/2017

**ORIGINAL PARTS
TATU**



PRODUCTS

Code
0106110856

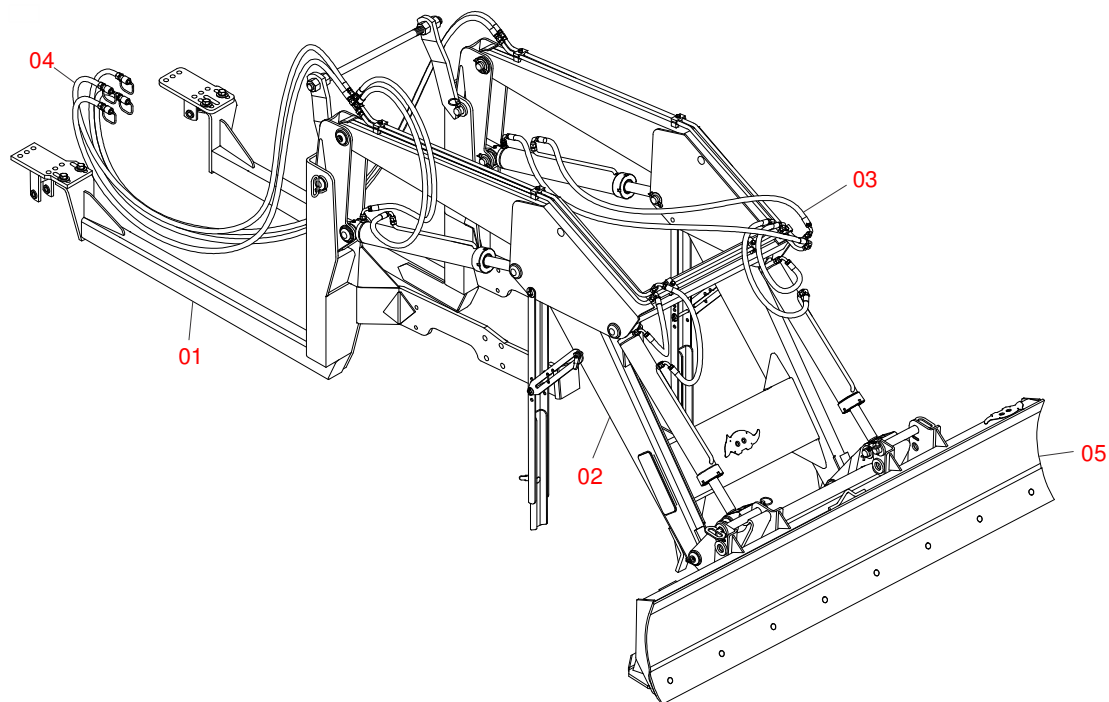
Description
PCA 800 MF 5275-4 EXP BT SC

ATTENTION: *IMPORTANT*

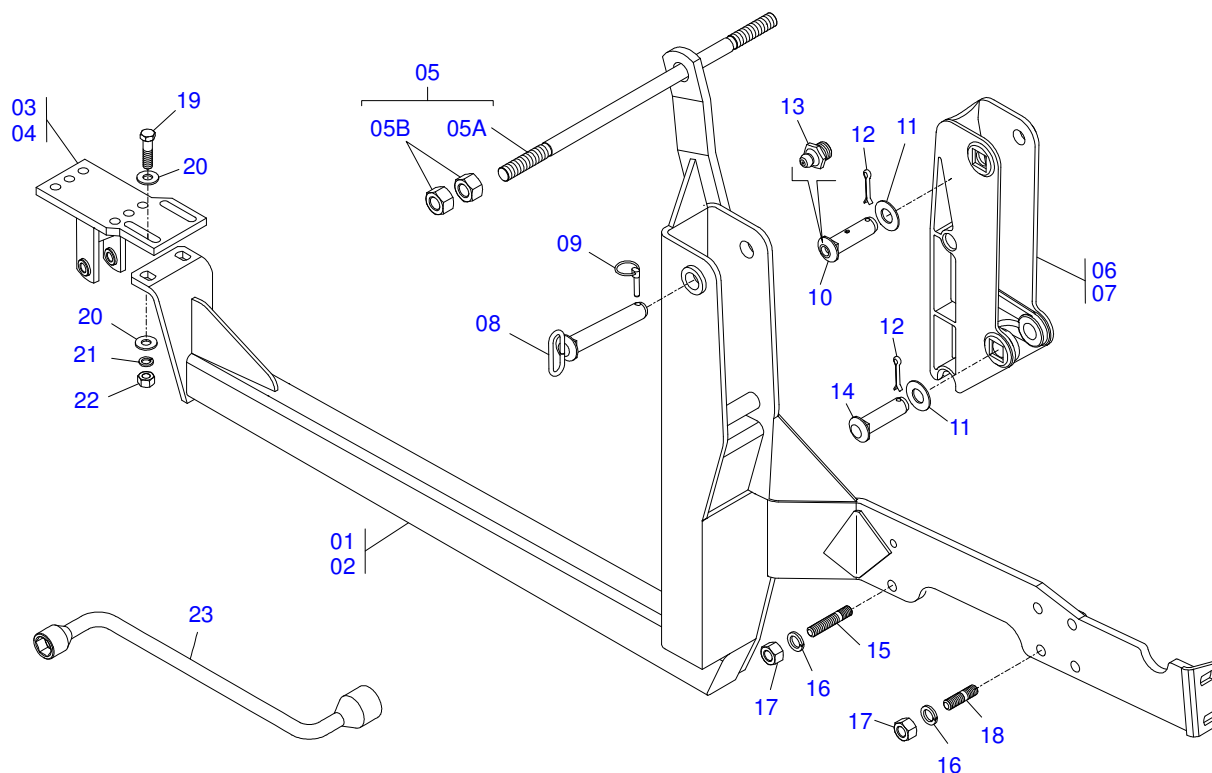
MARCHESAN S/A RESERVES THE RIGHT AT ANY TIME TO MAKE IMPROVEMENTS IN THE DESIGN, MATERIAL OR SPECIFICATIONS OF MACHINERY, EQUIPMENT OR PARTS WITHOUT THEREBY BECOMING LIABLE TO MAKE SIMILAR CHANGES IN MACHINERY, EQUIPMENT OR PARTS PREVIOUSLY SOLD.

INDEX

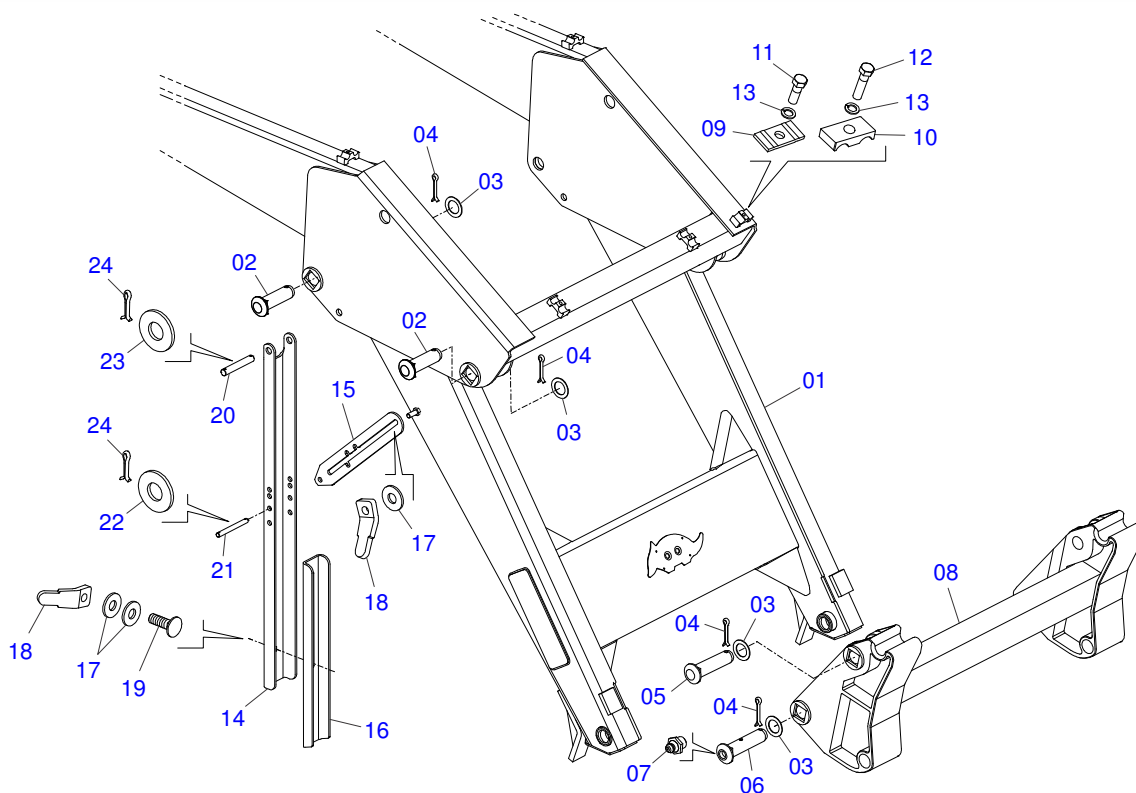
0106110856	PCA 800 MF 5275-4 EXP BT SC	1
0909092393	CHASSI ASSEMBLY PCA 800 MF BT SC	2
0909092394	MOVEL SUPPORT ASSEMBLY	3
0909092396	HYDRAULIC CIRCUIT OF MOBILE SUPPORT	4
0909092342	HYDRAULIC CIRCUIT PCA 600 BT	5
0511057974	HYDRAULIC CYLINDER	6
0511057973	HIDRAULIC CYLINDER 44,45 X 76,20 X 820 X 551	7
0909092343	2200MM DOZER BLADE COMPLETE	8
0501053834	QUICK CONECTION (MALE) 1/2	9



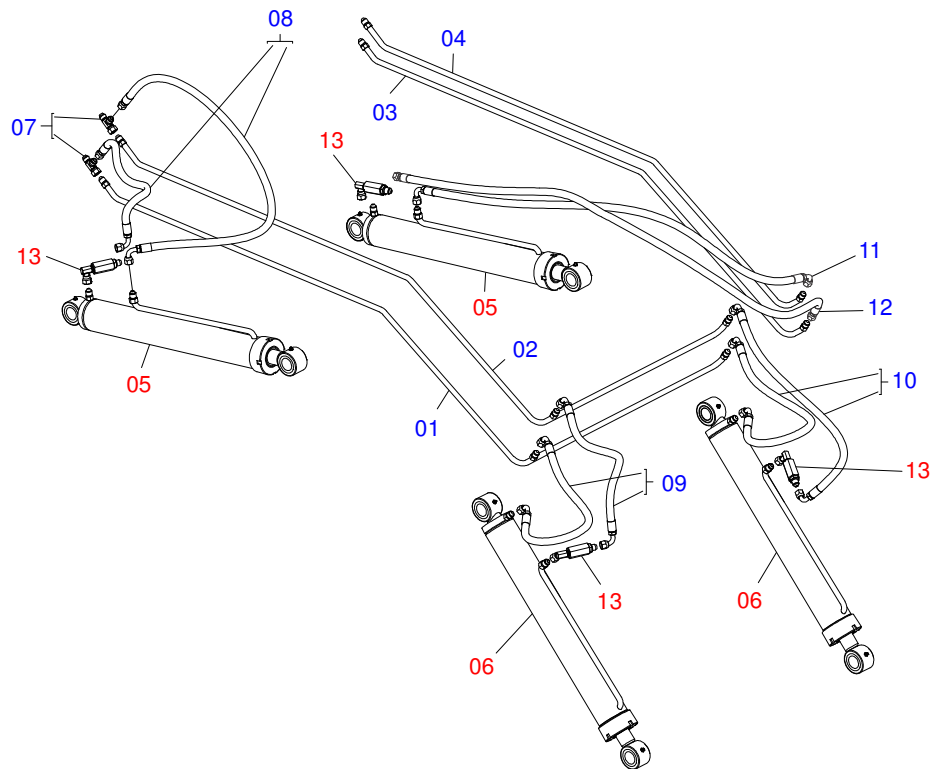
Item	Code	Description	QT
01	0909092393	CHASSI ASSEMBLY PCA 800 MF BT SC	
02	0909092394	MOVEL SUPPORT ASSEMBLY	
03	0909092396	HYDRAULIC CIRCUIT OF MOBILE SUPPORT	
04	0909092342	HYDRAULIC CIRCUIT PCA 600 BT	
05	0909092343	2200MM DOZER BLADE COMPLETE	



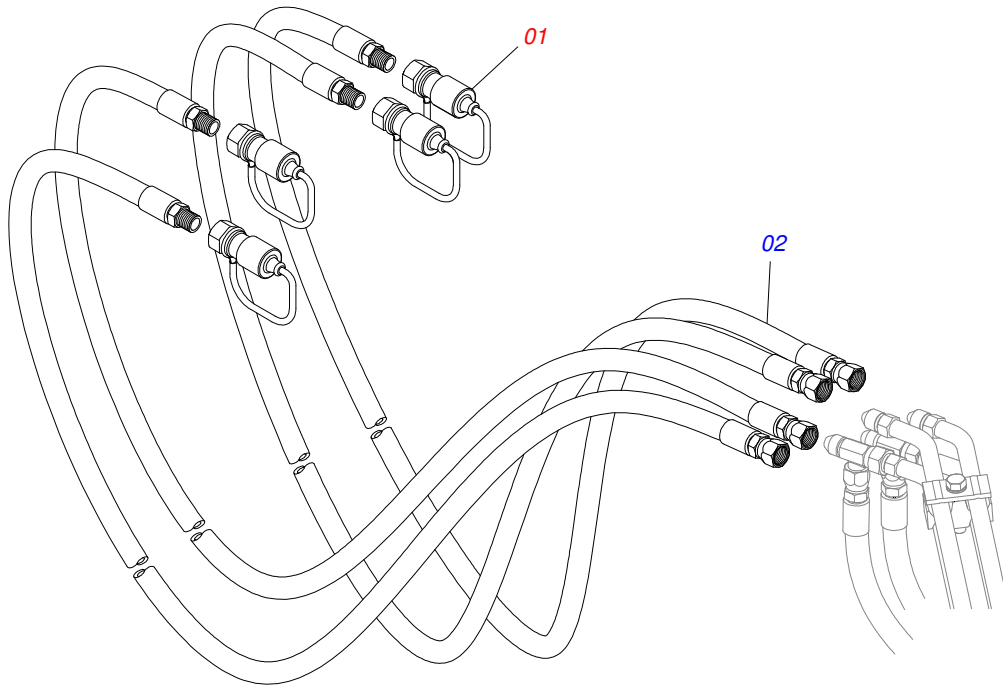
Item	Code	Description	QT
01	0521066288	RIGHT CHASSIS PCA BT-SC MF 5310-4	01
02	0511062494	LEFT CHASSIS PCA MF 5310-4	01
03	0511061894	RIGHT FRAME MOUNTING BRACKET PCA MF	01
04	0511069462	LEFT FRAME MOUNTING BRACKET PD MF 283-4	01
05	0501040954	1.1/4" NC X 760 ROD	01
05A	0501010628	1.1/4" X 760 ROD	01
05B	0501010087	1.1/4" NUT	04
06	0502012472	MOBILE TOWER	01
07	0502012473	LEFT MOBILE TOWER	01
08	0521066515	37,20 X 240 ARTICULATION SHAFT WITH HANDLE	02
09	0503030430	7/16 X 2" PIN LOCK	02
10	0521012870	1.46" X 6.18" PIVOT SHAFT	02
11	0511019685	FLAT WASHER	04
12	0503010534	3/8 X 2-1/2 COTTERPIN	04
13	0503010002	1800 GREASE FITTING	02
14	0521012869	COUPLING SHAFT	02
15	0511014160	3/4" X 4.52" STUD	04
16	0503010023	SPRING WASHER	12
17	0503010335	3/4"NUT	12
18	0511014680	3/4" UNF X 85 STUD	08
19	0501010500	3/4"X3"BOLT	04
20	0501010322	FLAT WASHER	08
21	0503010023	SPRING WASHER	04
22	0503010014	3/4" NUT	04
23	0501068213	5/8" WRENCH DOUBLE	01



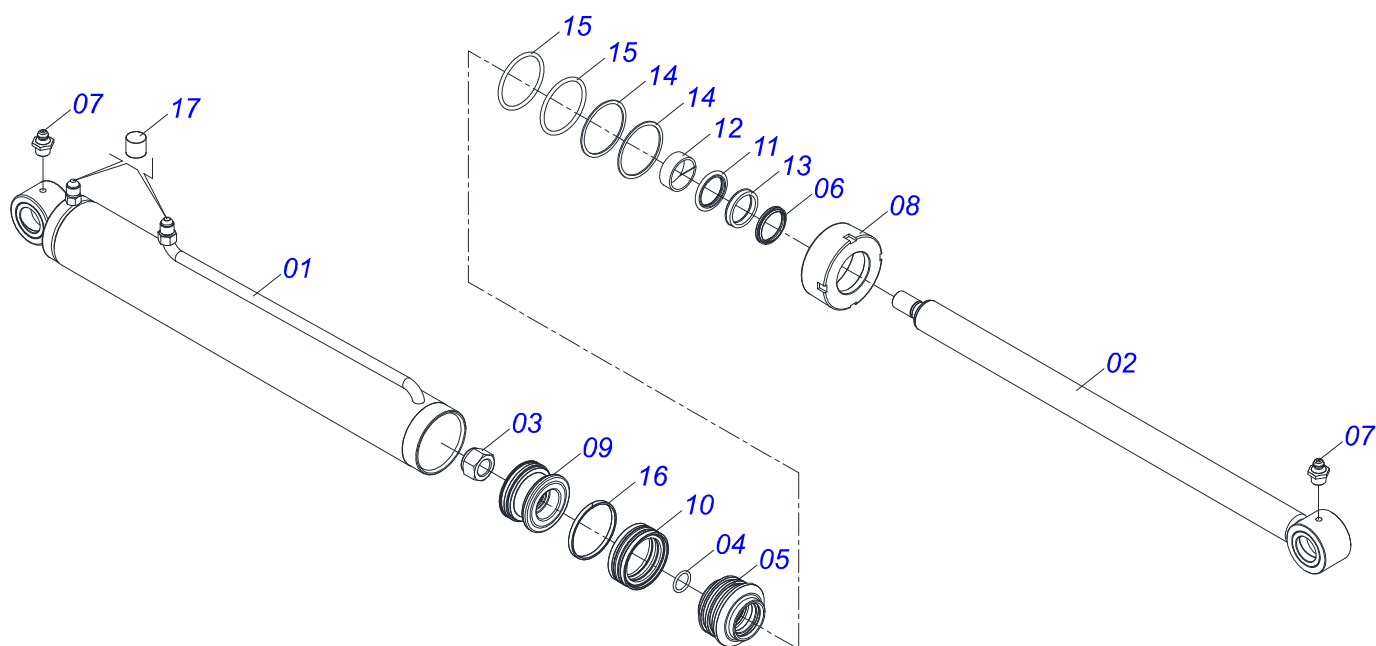
Item	Code	Description	QT
01	0501069453	MOBILE SUPPORT	01
02	0521012868	1.4" X 5" PIVOT SHAFT	02
03	0511019685	FLAT WASHER	08
04	0503010534	3/8 X 2-1/2 COTTERPIN	08
05	0521012869	COUPLING SHAFT	02
06	0521012870	1.46" X 6.18" PIVOT SHAFT	02
07	0503010002	1800 GREASE FITTING	02
08	0501069146	JOINT SUPPORT PCA 800	01
09	0531011180	UPPER BODY CLIP	06
10	0502010477	UPPER CLIP	04
11	0503011102	PARAFUSO 7/16 UNC X 1.1/4 C S G.5	02
12	0503012555	7/16" X 2" BOLT	04
13	0503010180	7/16" SPRING WASHER	06
14	0561016401	PLOUGH SUPPORT BODY	02
15	0511019634	CONTROL LOCK	02
16	0561016619	COMPLEMENTON REST	02
17	0511017302	FLAT WASHER	10
18	0561016329	LATCH HOLDER REST PCA	04
19	0503014378	1/2" X 1-1/2" BOLT	02
20	0511013598	3/4" X 4.7" COUPLING SHAFT	02
21	0521012823	COUPLING SHAFT	02
22	0511017302	FLAT WASHER	08
23	0501010322	FLAT WASHER	04
24	0503010071	3/16" X 1" COTTERPIN	08



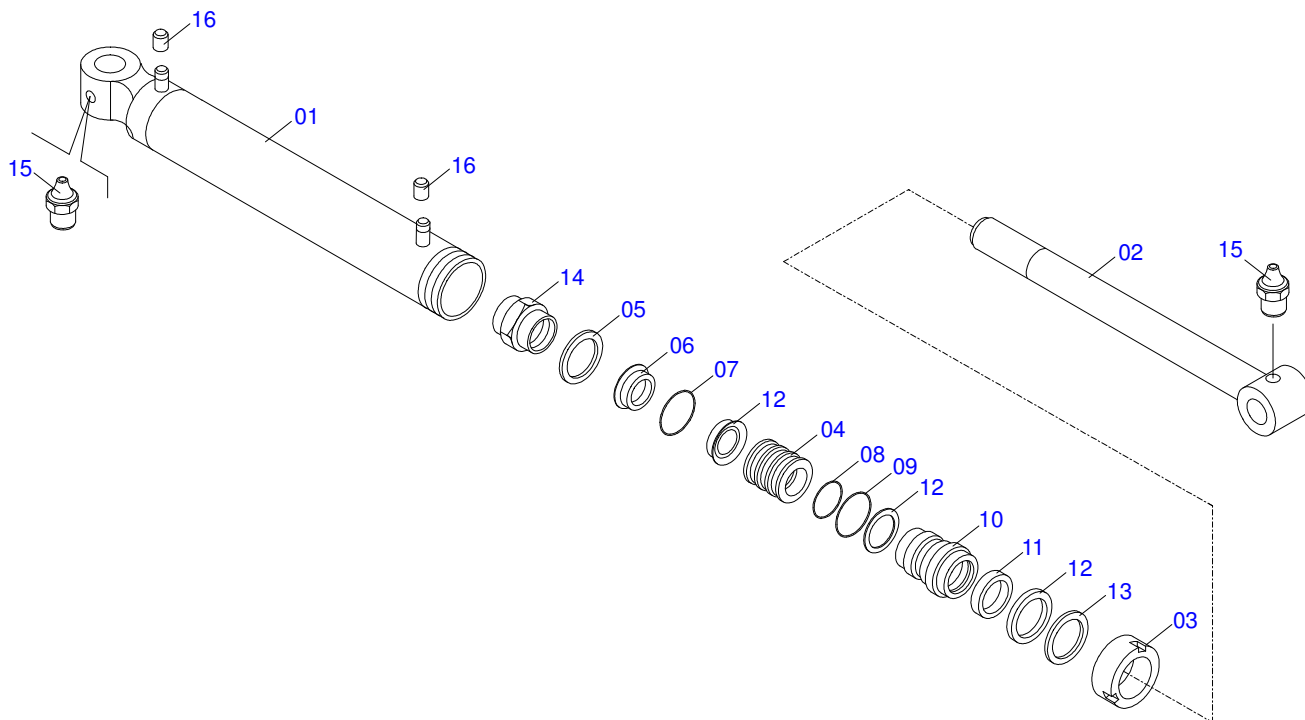
Item	Code	Description	QT
01	0501069857	RIGHT RIGHT OIL TUBE	01
02	0501069858	LH RIGHT OIL TUBE	01
03	0501069861	INNER OIL TUBE	01
04	0501069860	OUTER OIL TUBE	01
05	0511057974	HYDRAULIC CYLINDER	02
06	0511057973	HIDRAULIC CYLINDER 44,45 X 76,20 X 820 X 551	02
07	0511057772	SECURITY VALVE SET	04
08	0501080150	TR-TC HOSE ASSY	02
09	0501080688	3/8" X 25" TC-TC 90G HOSE	02
10	0501080777	LH 3/8" X 25.9" TC-TC HOSE	02
11	0501080766	3/8" X 27.56" TC-TC HOSE	01
12	0501080105	TR-TR HOSE ASSY	01
13	0511057772	SECURITY VALVE SET	04



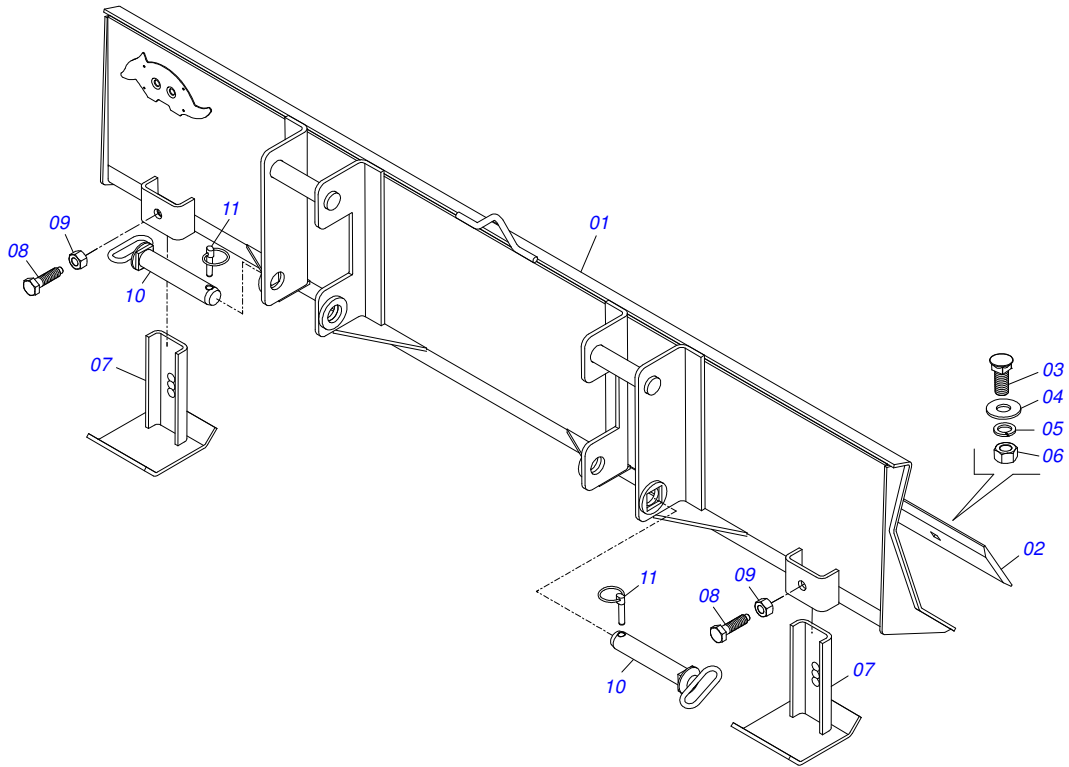
Item	Code	Description	QT
01	0501053834	QUICK CONECTION (MALE) 1/2	04
02	0501081124	HOSE 3/8" X 4200-TM TR	04



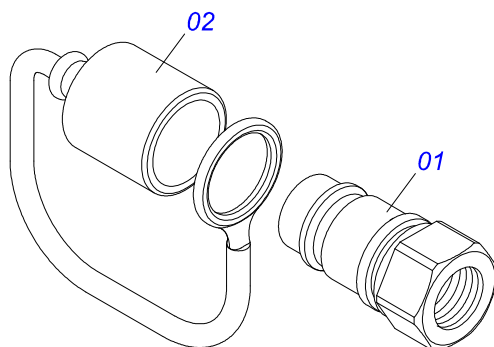
Item	Code	Description	QT
01	0511069198	BODY SHIRT WITH MAKING	01
02	0521066404	44,45 X 772 TURNBUCKLE	01
03	0503010063	1" SELF-ALIGNING NUT	01
04	0503010042	2-214 N 3006-9B O'RING	01
05	0571019711	RING SUPPORT	01
06	0503010761	D-1750 SCRAPER RING	01
07	0503010002	1800 GREASE FITTING	02
08	0571019709	DETACHABLE COVER	01
09	0571019710	1.7" X 3.4" PISTON	01
10	0503017935	RING	01
11	0503017936	RING	01
12	0503017938	RING GUIDE	01
13	0503017937	GASKET	01
14	0503017940	8-337 BACK-UP RING	02
15	0503017939	2-337 N 3006-9B O' RING	02
16	0503018144	RING	01
17	0503030385	PLUG	02



Item	Code	Description	QT
001	0521066381	CYLINDER CASE 76,20 X 723	01
002	0511065578	1.7" X 28.18" TURNBUCLE	01
003	0581010355	HEAD LUG 76,20	01
004	0502012264	RING SUPPORT 1.75" X 3"	01
005	0503010761	D-1750 SCRAPER RING	01
006	0503010949	W2-2000-500 PK RING G.E	01
007	0503010343	2-334 N 3006-9B O'RING	01
008	0503011059	8-334 BACK-UP RING	01
009	0503010063	1" SELF-ALIGNING NUT	01
010	0503010002	1800 GREASE FITTING	02
011	0503030385	PLUG	02
012	0503010042	2-214 N 3006-9B O'RING	01
013	0581010304	PISTON	01
014	0503018138	RING BS	02
015	0503018140	RING GUIDE	01
016	0503017937	GASKET	01



Item	Code	Description	QT
01	0511064165	BLADE FRONT	01
02	0531019518	SCRAPER 2220 X 6 X 1/2	01
03	0501812239	5/8 UNC X 1.3/4 - SPECIAL BOLT	07
04	0571810265	FLAT WASHER	07
05	0503011445	SPRING WASHER	07
06	0503810013	NUT 5/8 NC	07
07	0511064780	SHOE SLIDE LIGHT STABILIZING	02
08	0501018246	3/4" X 3" BOLT	02
09	0503010014	3/4" NUT	02
10	0521063680	HITCH PIN (185) SAB PCA800	02
11	0503030430	7/16 X 2" PIN LOCK	02



Item	Code	Description	QT
01	0503011627	QUICK CONNECTION (MALE) AGR 1/2 NPT	01
02	0503011882	QUICK CONNECTION COVER	01



MARCHESAN IMPLEMENTOS E MÁQUINAS AGRÍCOLAS TATU S.A.

AV. Marchesan, 1979 - Post office box, 131 - CEP 15994-900 - Matão - SP - Brazil

Phone +55 16.3382-8282

(FAX Parts) + 55 16.3382. 8297 - (Export) + 55 16.3382.1003

e.mail: tatu@marchesan.com.br www.marchesan.com.br

Technical Publications: Elaboration

JOÃO VIRGINIO ROCHA

Technical Publications: Revision

JOÃO VIRGINIO ROCHA

Contact Catálogo:

E-mail = jgaspari@marchesan.com.br

**ORIGINAL PARTS
TATU**

