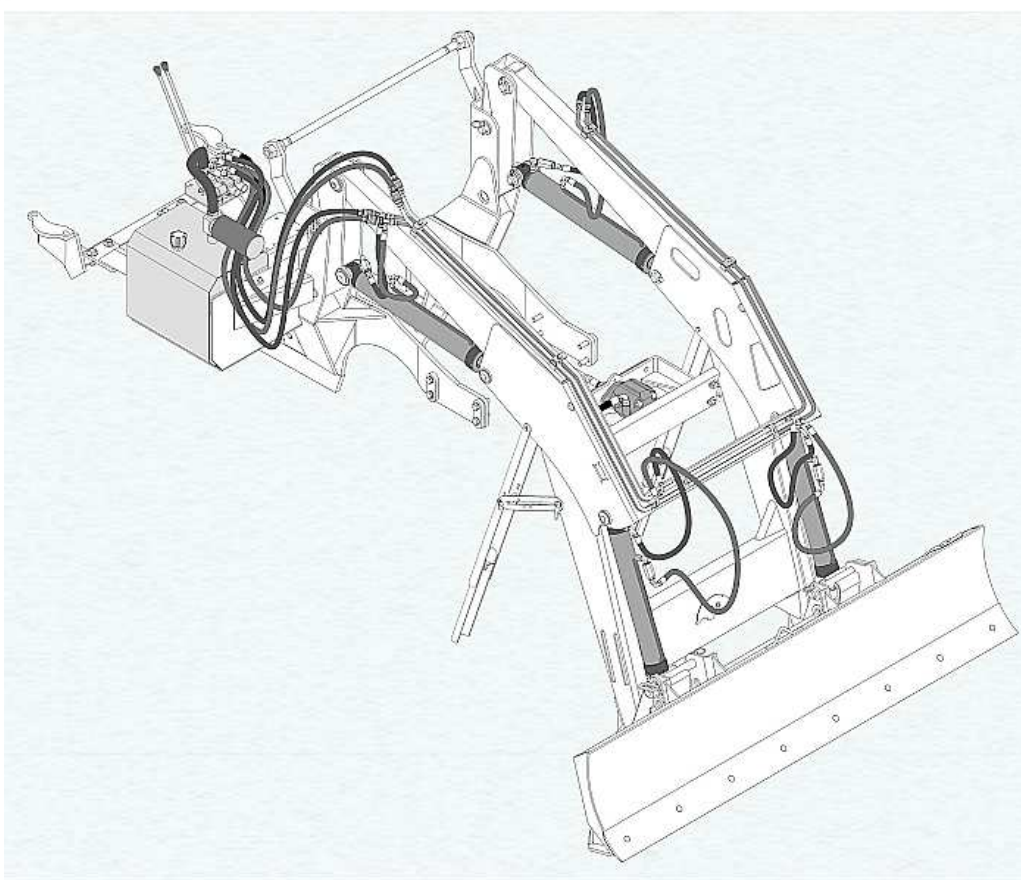


PARTS CATALOG

PCA - AGRICULTURAL FRONT LOADER

PCA 1100 NH 7630/8030-4 SHT CD

Code: 0501091877



Series: S-0608

Rev.: 00

Date Rev.: ABRIL/2017

**ORIGINAL PARTS
TATU**



PRODUCTS

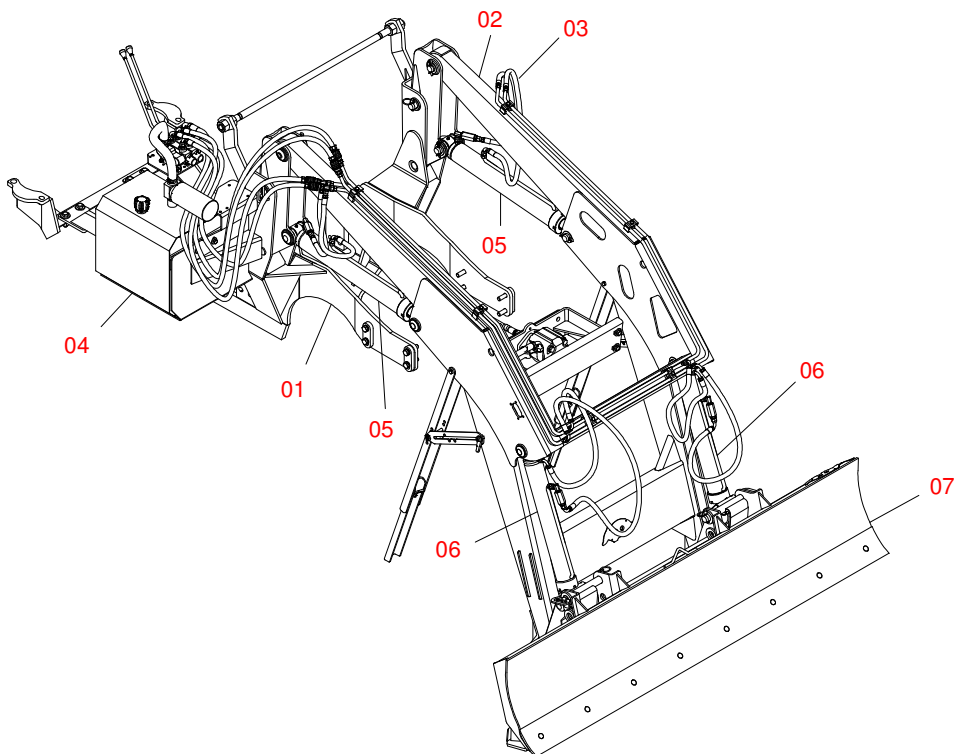
Code	Description
0106110945	PCA 1100 NH 76/8030-4 SHT CD

ATTENTION: **IMPORTANT**

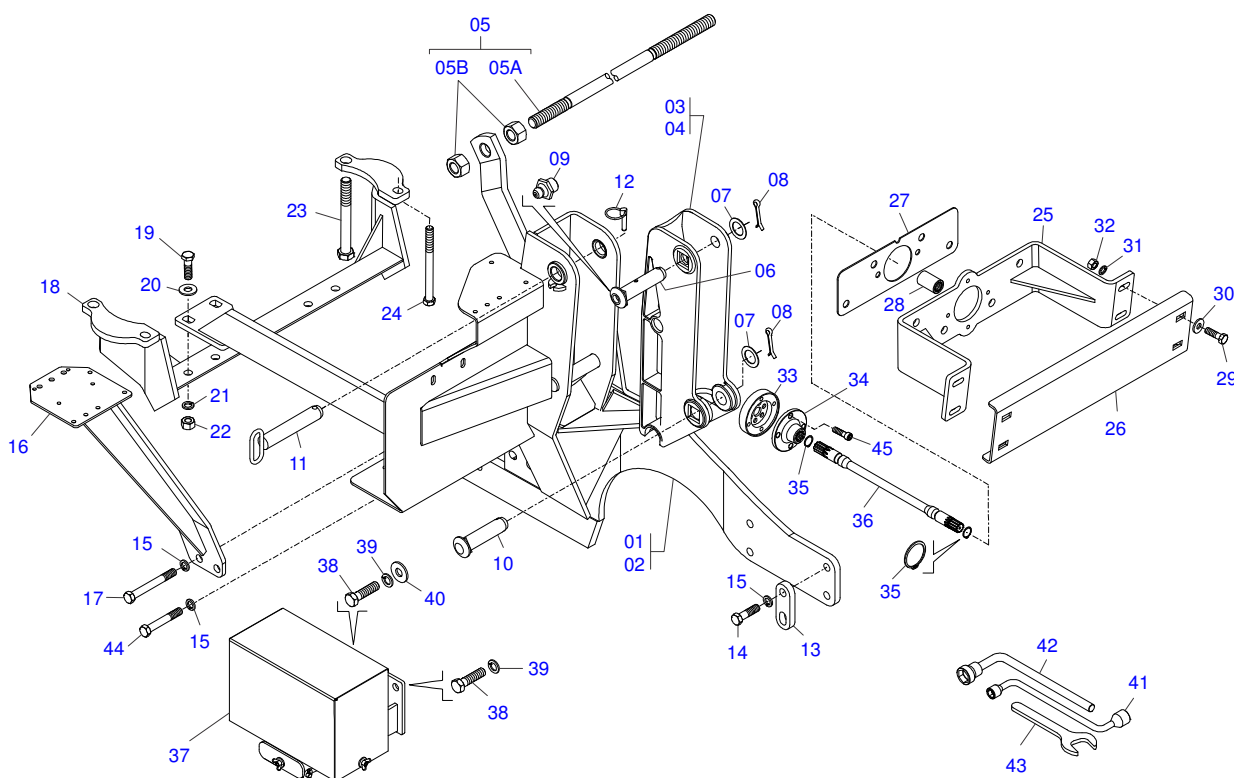
MARCHESAN S/A RESERVES THE RIGHT AT ANY TIME TO MAKE IMPROVEMENTS IN THE DESIGN, MATERIAL OR SPECIFICATIONS OF MACHINERY, EQUIPMENT OR PARTS WITHOUT THEREBY BECOMING LIABLE TO MAKE SIMILAR CHANGES IN MACHINERY, EQUIPMENT OR PARTS PREVIOUSLY SOLD.

INDEX

0106110945	PCA 1100 NH 76/8030-4 SHT CD	1
0909092433	PCA NH 1100 SHT CD FRAME ASSY	2
0909092434	PCA 1100 MOBILE SUPPORT	3
0909092436	MOBILE SUPPORT HYDRAULIC CIRCUIT	4
0909092398	HYDRAULIC CIRCUIT	5
0511057974	44,45 X 85,72 X 870 X 593 HYDRAULIC CYLINDER	6
0511057973	HIDRAULIC CYLINDER 44,45 X 76,20 X 820 X 551	7
0909092343	2200MM DOZER BLADE COMPLETE	8
0909092435	1/2 DOBLE COMMAND	9
0501041108	RETURNING FILTER ASSY	10
0501049879	OIL RESERVOIR	11
0511047396	PUMP WITH TUBE	12
0511057772	SECURITY VALVE SET	13
0501053834	MALE QUICK COUPLING AGRICULTURAL WITH COVER - 1/2 NPT	14
0501053835	FEMALE QUICK COUPLER	15



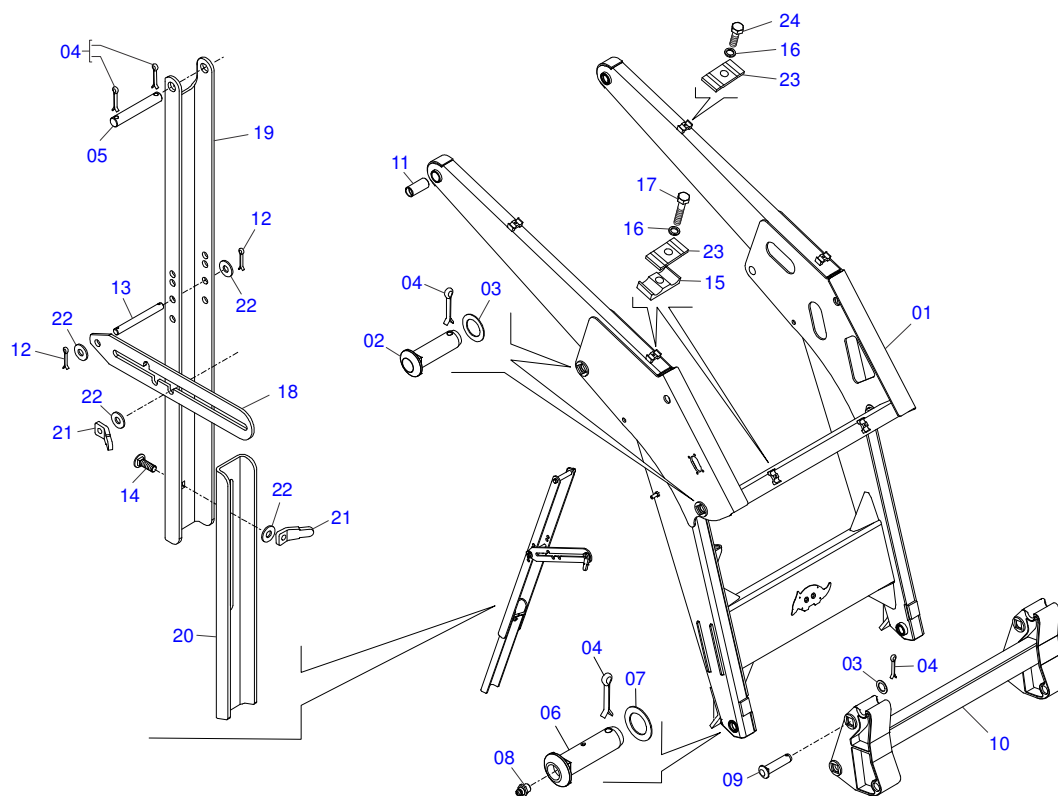
Item	Code	Description	See page	QT
01	0909092433	PCA NH 1100 SHT CD FRAME ASSY	2	
02	0909092434	PCA 1100 MOBILE SUPPORT	3	
03	0909092436	MOBILE SUPPORT HYDRAULIC CIRCUIT	4	
04	0909092398	HYDRAULIC CIRCUIT	5	
05	0511057974	44,45 X 85,72 X 870 X 593 HYDRAULIC CYLINDER	6	
06	0511057973	HIDRAULIC CYLINDER 44,45 X 76,20 X 820 X 551	7	
07	0511043382	DOZER BLADE 2400 - PCA 800		



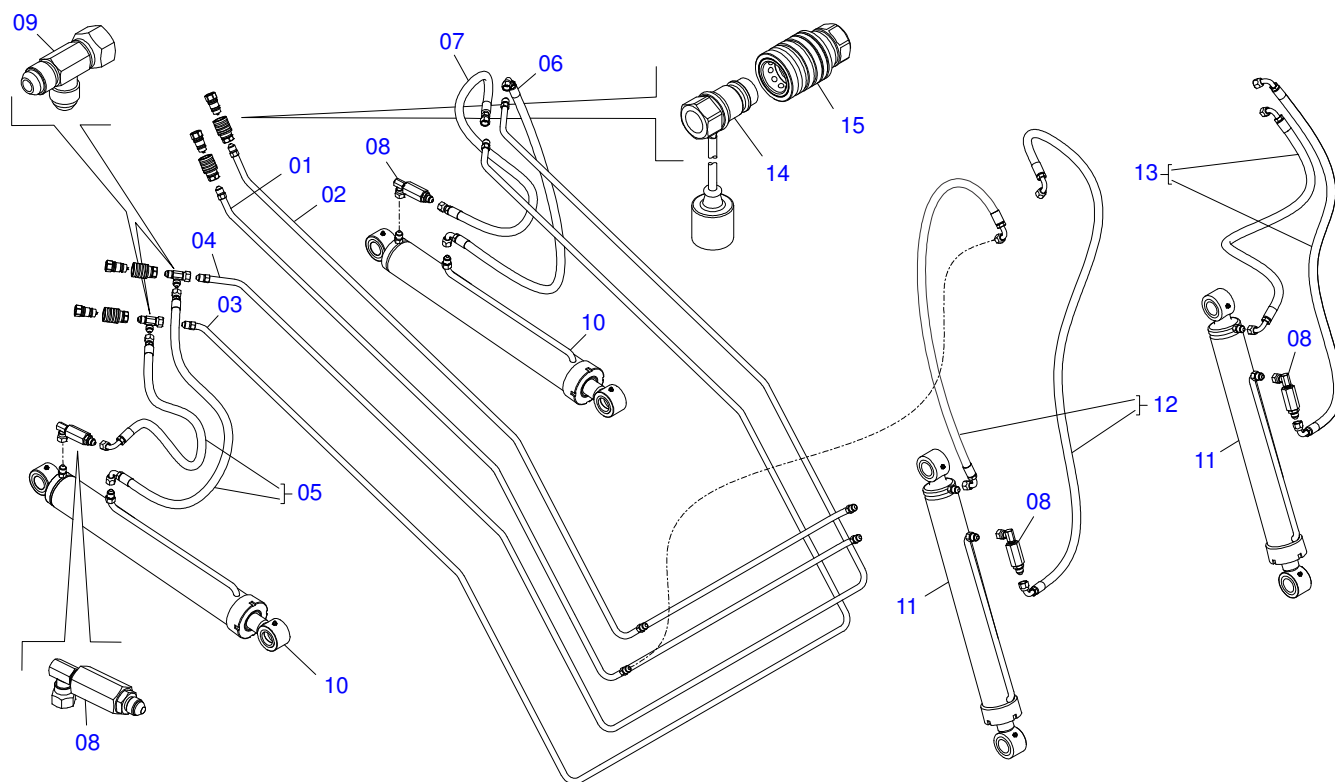
Item	Code	Description	See page	QT
01	0521060084	RIGHT FRAME		01
02	0521060085	LEFT FRAME		01
03	0502012472	MOBILE TOWER		01
04	0502012473	LEFT MOBILE TOWER		01
05	0511047399	1.1/4" X 40" ROD		01
05A	0561010598	1.1/4 UNC 7FPP X 1140 ROD		01
05B	0501810087	NUT - 1.1/4 UNC 7FPP (SEXT.2) SA		04
06	0521012870	1.46" X 6.18" PIVOT SHAFT		02
07	0511019685	FLAT WASHER		04
08	0503010534	3/8 X 2-1/2 COTTERPIN		04
09	0503010002	1800 GREASE FITTING		02
10	0521012869	COUPLING SHAFT		02
11	0511064410	1.5" X 8.1" COUPLING SHAFT		02
12	0503030430	7/16 X 2" PIN LOCK		02
13	0561010484	FRAME BAR CHOCK		04
14	0503013112	M20 X 2,5 X 70 BOLT		08
15	0503010023	SPRING WASHER		10
16	0521061763	SUPPORT CONTROL VALVE		01
17	0503015049	M20 X 2,5 X 190 BOLT		02
18	0521060106	FRAME FIXER SUPORT		01
19	0501010125	3/4" X 2-1/2" BOLT		04
20	0501010322	FLAT WASHER		04
21	0503010023	SPRING WASHER		04
22	0503010014	3/4" NUT		04
23	0501010064	1" X 9" BOLT		02
24	0501010066	3/4" X 9" BOLT		02
25	0521060078	GUIDE PUMP SUPPORT		01
26	0541011011	FRONT PROTECTOR PUMP		01
27	0561010519	PUMP SUPPORT CHOCK		01
28	0503030838	1-1/8" X 2.4" SLEEVE		01
29	0501010100	5/8 UNC X 2 C S G.5 BOLT		04



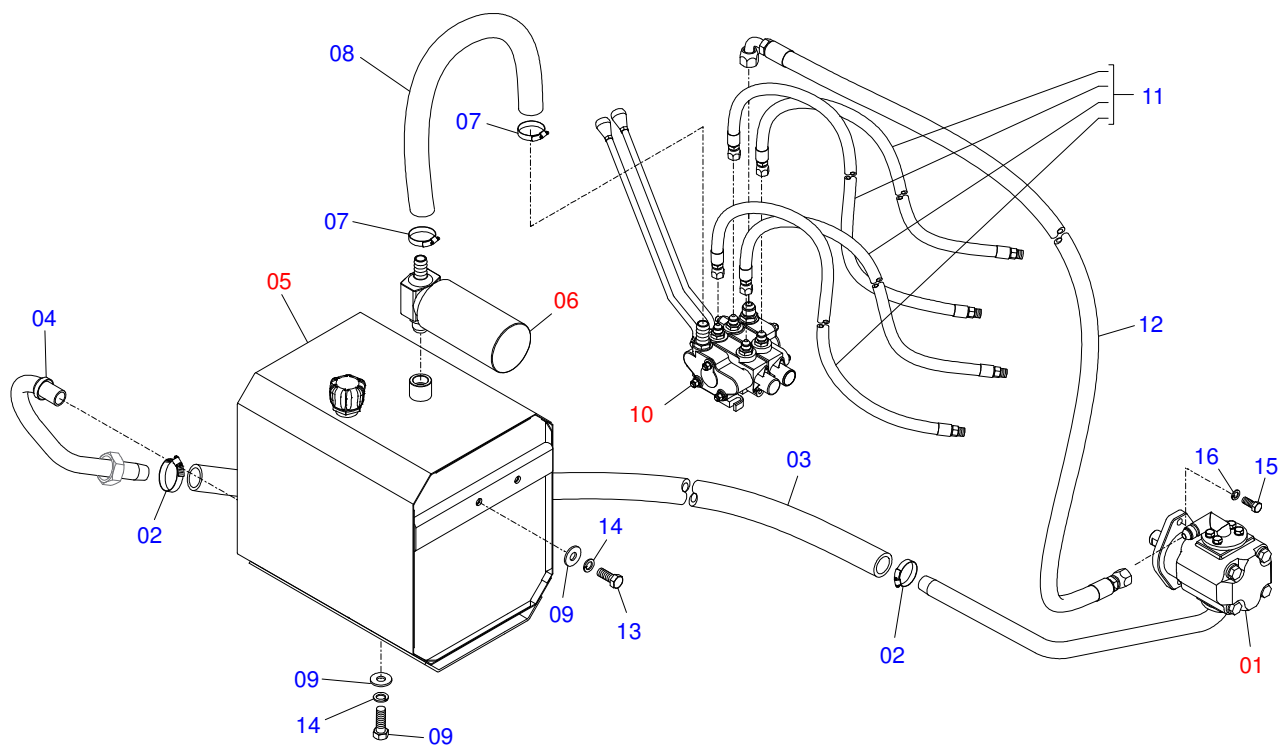
Item	Code	Description	See page	QT
30	0501012140	FLAT WASHER		04
31	0503010027	SPRING WASHER		04
32	0503010013	5/8" NUT		04
33	0551019179	FLANGE ADAPTER		01
34	0503050056	COUPLING FLANGE		01
35	0503010174	501028 CLAMPING RING (FOR AXLE)		02
36	0511069684	527 STRIATED AXLE		01
37	0511044960	BATTERY BOX		01
38	0503013111	M20 X 2,5 X 65 BOLT		02
39	0503010023	SPRING WASHER		02
40	0501010322	FLAT WASHER		01
41	0501068213	5/8" WRENCH DOUBLE		01
42	0501061617	1" GANG BOLT WRENCH		01
43	0511010153	2-5/16" FIXED WRENCH		01
44	0503013364	M20 X 2,5 X 150 BOLT		02
45	0503010729	M10 X 1,5 X 25 BOLT		04



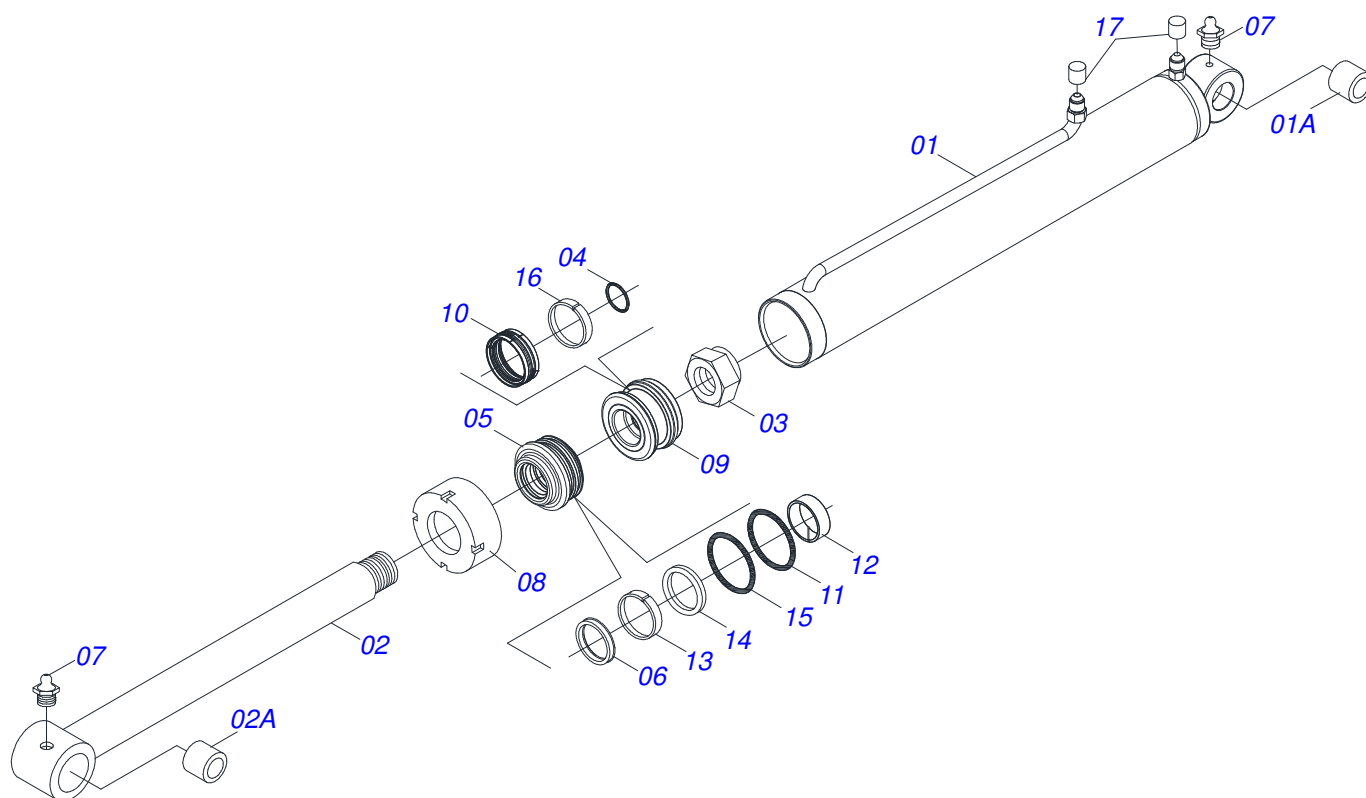
Item	Code	Description	See page	QT
01	0511066050	MOBILE SUPPORT		01
02	0521012870	1.46" X 6.18" PIVOT SHAFT		02
03	0511019685	FLAT WASHER		04
04	0503010534	3/8 X 2-1/2 COTTERPIN		10
05	0511013598	3/4" X 4.7" COUPLING SHAFT		02
06	0521012870	1.46" X 6.18" PIVOT SHAFT		02
07	0511019685	FLAT WASHER		02
08	0503010002	1800 GREASE FITTING		04
09	0521012869	COUPLING SHAFT		02
10	0501069939	PIVOT SUPPORT		01
11	0501110286	SLEEVE		04
12	0503010071	3/16" X 1" COTTERPIN		08
13	0521012823	COUPLING SHAFT		02
14	0503014378	1/2" X 1-1/2" BOLT		02
15	0502010477	UPPER CLIP		17
16	0503010180	7/16" SPRING WASHER		05
17	0503012555	7/16" X 2" BOLT		03
18	0511019634	CONTROL LOCK		02
19	0561016401	PLOUGH SUPPORT BODY		02
20	0561016619	COMPLEMENTON REST		02
21	0561016329	LATCH HOLDER REST PCA		04
22	0511017302	FLAT WASHER		08
23	0531011180	UPPER BODY CLIP		06
24	0503011102	PARAFUSO 7/16 UNC X 1.1/4 C S G.5		02



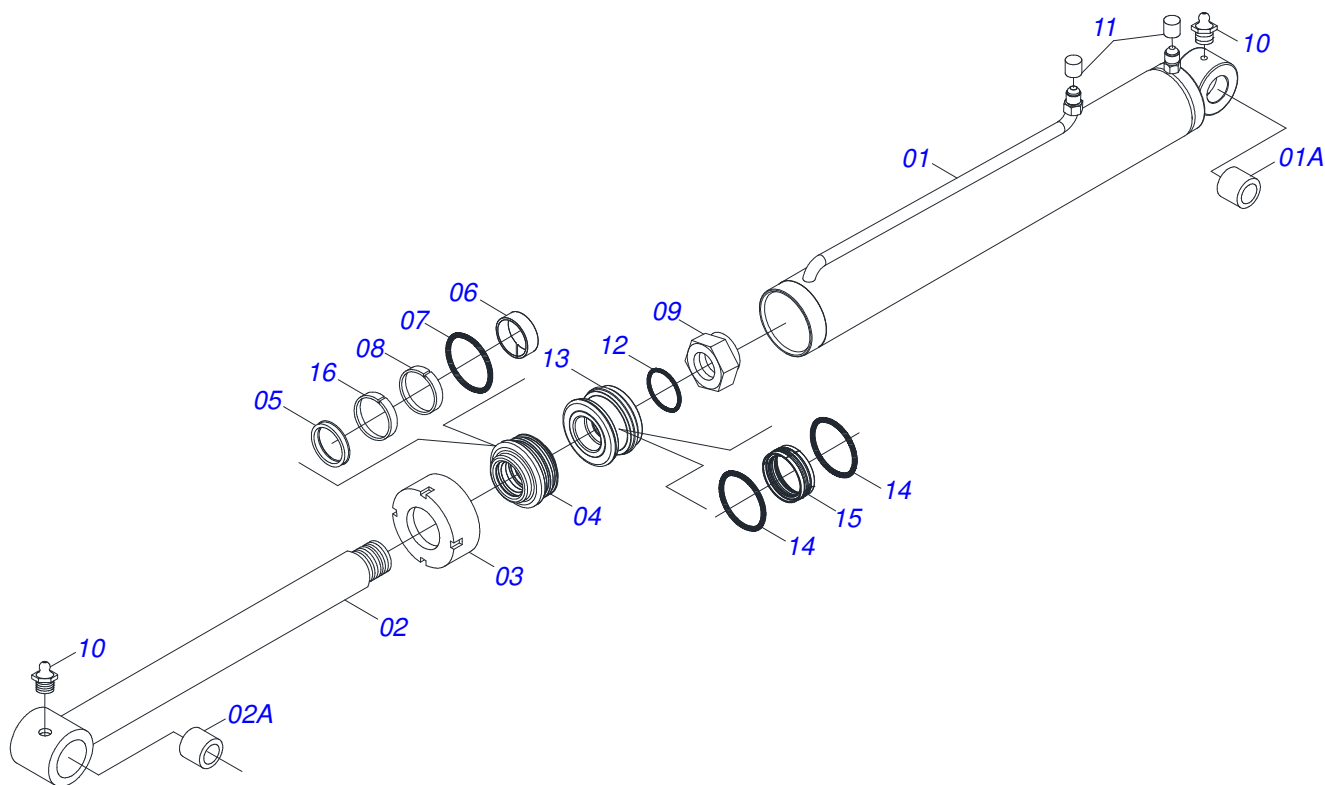
Item	Code	Description	See page	QT
01	0501069857	RIGHT RIGHT OIL TUBE		01
02	0501069858	LH RIGHT OIL TUBE		01
03	0521061821	OUTER DISTRIBUTOR TUBE OIL		01
04	0521061820	INNER DISTRIBUTOR TUBE OIL		01
05	0501080150	TR-TC HOSE ASSY		02
06	0501080766	3/8" X 27.56" TC-TC HOSE		01
07	0501080105	TR-TR HOSE ASSY		01
08	0511057772	SECURITY VALVE SET	13	04
09	0503011968	T ADAPTOR WITH GIRAT		02
10	0511057974	44,45 X 85,72 X 870 X 593 HYDRAULIC CYLINDER	6	02
11	0511057973	HIDRAULIC CYLINDER 44,45 X 76,20 X 820 X 551	7	02
12	0501080688	3/8" X 25" TC-TC 90G HOSE		02
13	0501080777	LH 3/8" X 25.9" TC-TC HOSE		02
14	0501053834	MALE QUICK COUPLING AGRICULTURAL WITH COVER - 1/2 NPT	14	04
15	0501053835	FEMALE QUICK COUPLER	15	04



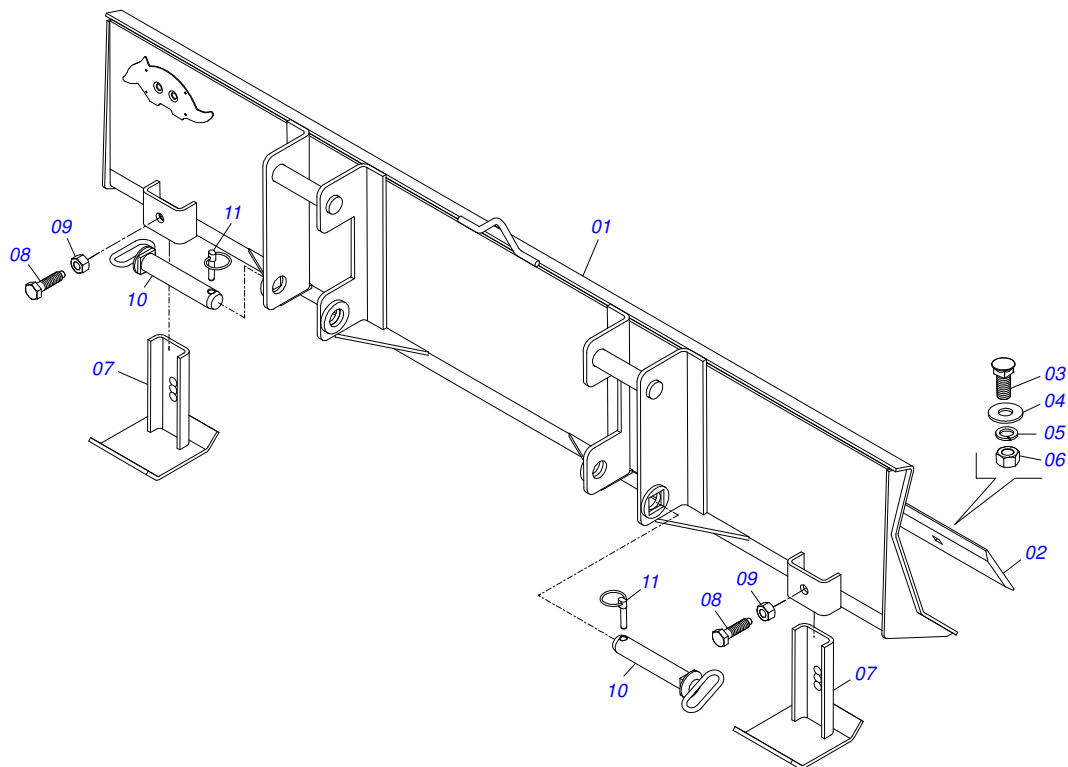
Item	Code	Description	See page	QT
01	0511047396	PUMP WITH TUBE	12	01
02	0503010243	CLAMP		02
03	0561010501	1.1/4 X 1800 AB-AB HOSE ASSY		01
04	0521060102	TANK SUCTION TUBE		01
05	0501049879	OIL RESERVOIR	11	01
06	0501041108	RETURNING FILTER ASSY	10	01
07	0503010184	CLAMP		02
08	0501018913	1" X 35.43" AB-AB HOSE		01
09	0511017302	FLAT WASHER		04
10	0909092435	1/2 DOBLE COMMAND	9	01
11	0501080546	1/2 X 1800 TR-TM HOSE CLAMP		04
12	0501081321	3/4 X 2600 TR-TC HOSE CLAMP		01
13	0501010161	1/2" X 1.1/4" BOLT		04
14	0503010019	1/2" SPRING WASHER		04
15	0501010161	1/2" X 1.1/4" BOLT		02
16	0503010019	1/2" SPRING WASHER		02



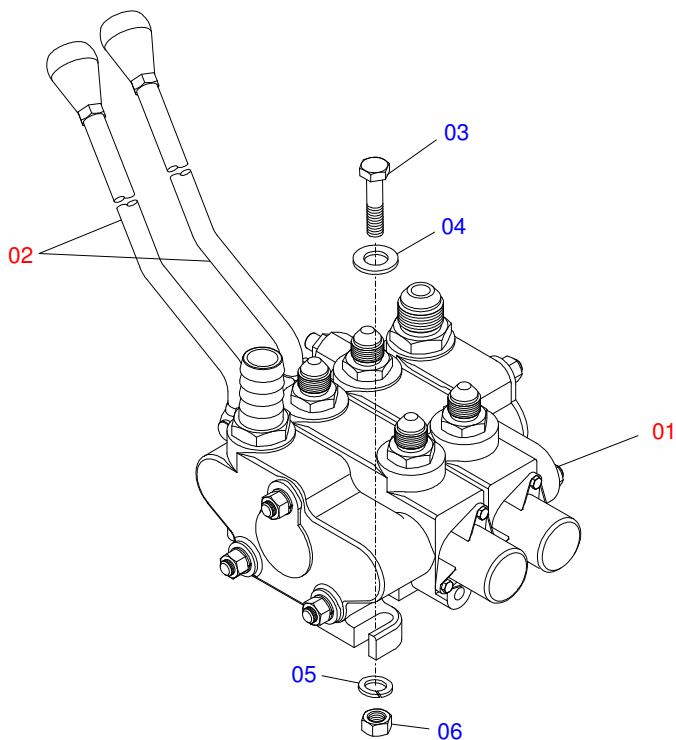
Item	Code	Description	See page	QT
01	0511069198	BODY SHIRT WITH MAKING		01
01A	0521010514	38,1 X 52,9 X 50 SLEEVE INTER		01
02	0521066404	44,45 X 772 TURNBUCKLE		01
02A	0521010514	38,1 X 52,9 X 50 SLEEVE INTER		01
03	0503010063	1" SELF-ALIGNING NUT		01
04	0503010042	2-214 N 3006-9B O'RING		01
05	0571019711	RING SUPPORT		01
06	0503010761	D-1750 SCRAPER RING		01
07	0503010002	1800 GREASE FITTING		02
08	0571019709	DETACHABLE COVER		01
09	0571019710	1.7" X 3.4" PISTON		01
10	0503017935	RING		01
11	0503017936	RING		01
12	0503017938	RING GUIDE		01
13	0503017937	GASKET		01
14	0503017940	8-337 BACK-UP RING		02
15	0503017939	2-337 N 3006-9B O' RING		02
16	0503018144	RING		01
17	0503030385	CYLINDER PLUG N-002		02



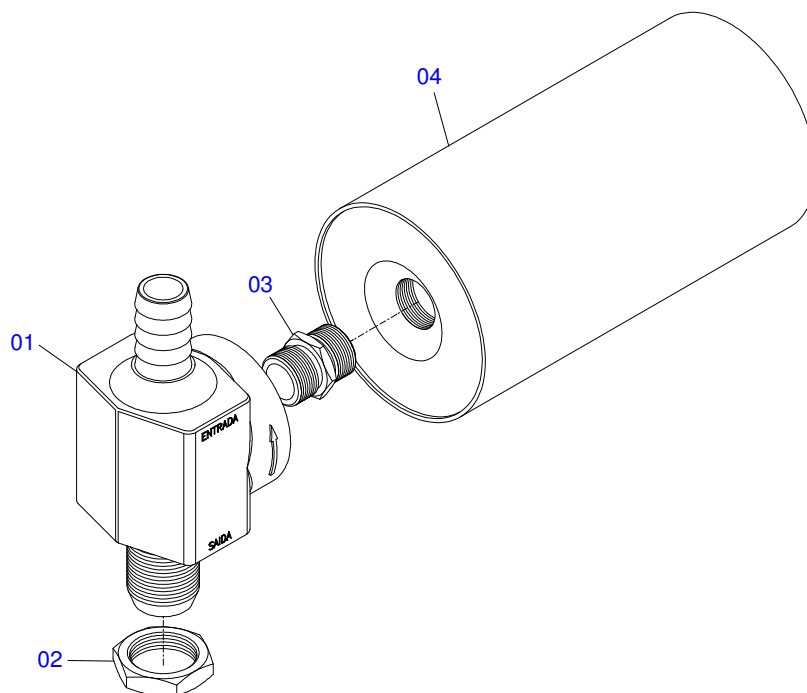
Item	Code	Description	See page	QT
01	0521066381	CYLINDER CASE 76,20 X 723		01
01A	0521010514	38,1 X 52,9 X 50 SLEEVE INTER		01
02	0511065578	1.7" X 28.18" TURNBUCLE		01
02A	0521010514	38,1 X 52,9 X 50 SLEEVE INTER		01
03	0502011899	MOBILE COVER		01
04	0502012264	RING SUPPORT 1.75" X 3"		01
05	0503010761	D-1750 SCRAPER RING		01
06	0503010949	W2-2000-500 PK RING G.E		01
07	0503010343	2-334 N 3006-9B O'RING		01
08	0503011059	8-334 BACK-UP RING		01
09	0503010063	1" SELF-ALIGNING NUT		01
10	0503010002	1800 GREASE FITTING		02
11	0503030385	CYLINDER PLUG N-002		02
12	0503010042	2-214 N 3006-9B O'RING		01
13	0581010304	PISTON		01
14	0503018138	RING BS		02
15	0503018140	RING GUIDE		01
16	0503017937	GASKET		01



Item	Code	Description	See page	QT
01	0511064165	BLADE FRONT		01
02	0531019518	SCRAPER 2220 X 6 X 1/2		01
03	0501812239	5/8 UNC X 1.3/4 - SPECIAL BOLT		07
04	0571810265	FLAT WASHER		07
05	0503011445	SPRING WASHER		07
06	0503810013	NUT 5/8 NC		07
07	0511064780	SHOE SLIDE LIGHT STABILIZING		02
08	0501018246	3/4" X 3" BOLT		02
09	0503010014	3/4" NUT		02
10	0521063680	HITCH PIN (185) SAB PCA800		02
11	0503030430	7/16 X 2" PIN LOCK		02

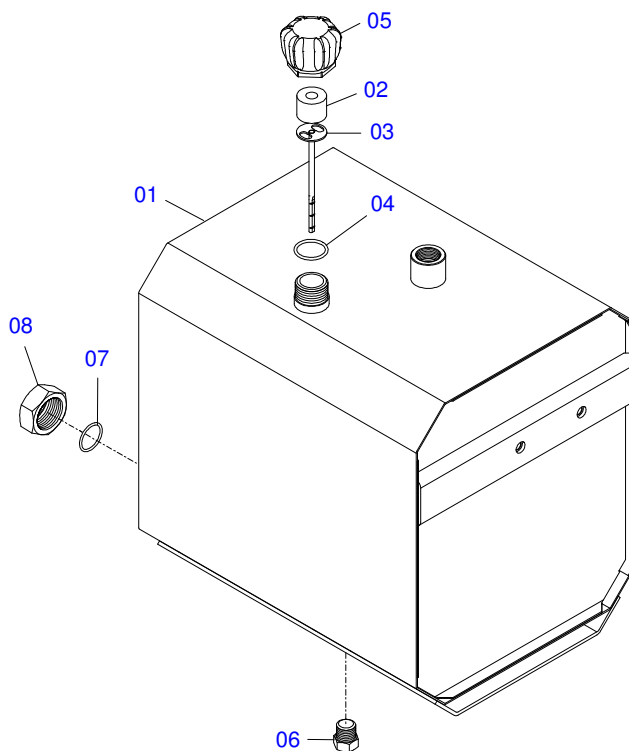


Item	Code	Description	See page	QT
01	0501059952	DOBLE COMMAND 1/2 HIDROV/DANFOSS ASSY		01
02	0501048023	CONTROL VALVE		02
03	0503010849	3/8" X 1-1/2" BOLT		03
04	0501010984	FLAT WASHER		03
05	0503010025	3/8 SPRING WASHER		03
06	0503010026	3/8" NUT		03

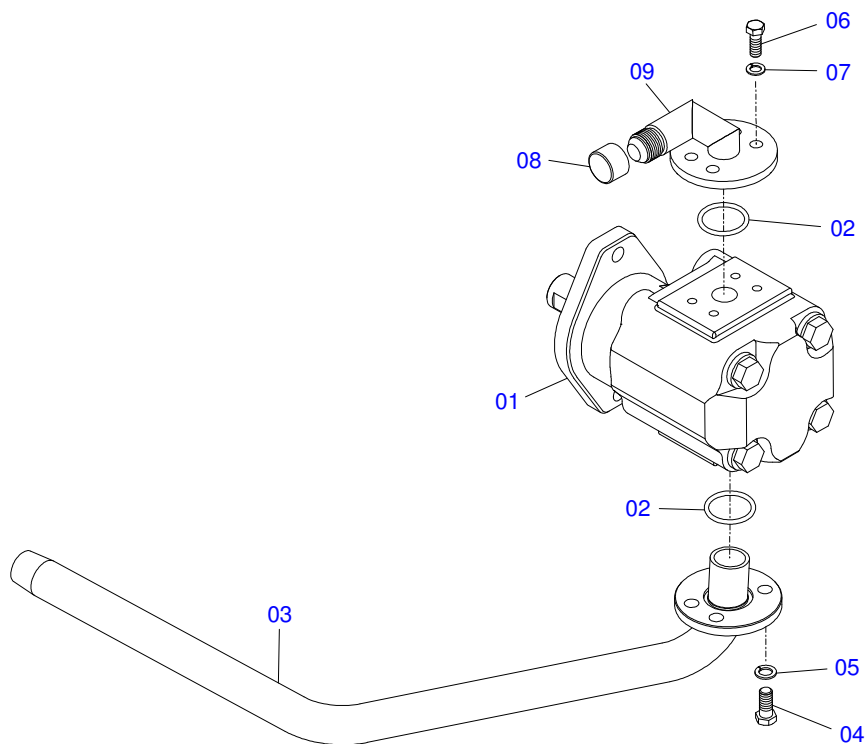


Item	Code	Description	See page	QT
01	0502050002	RETURNING FILTER HEAD		01
02	0501010594	1" NUT		01
03	0501010595	1" NF NIPPLE		01
04	0503010183	RETURNING FILTER		01

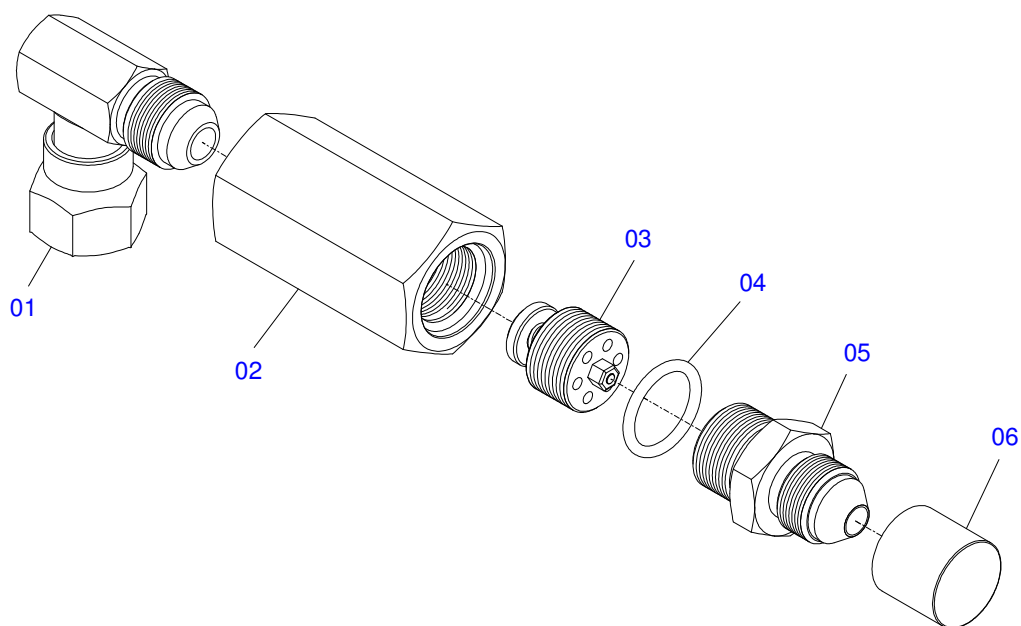
OIL RESERVOIR



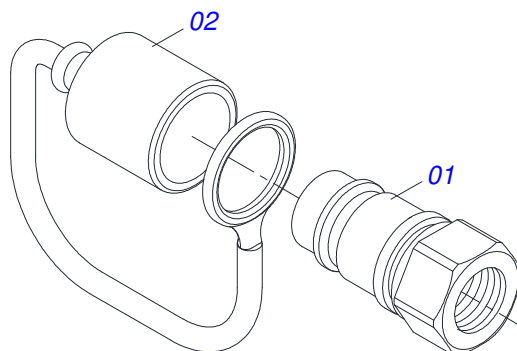
Item	Code	Description	See page	QT
01	0511063248	OIL RESERVOIR		01
02	0503030044	FILTERING ELEMENT		01
03	0501060975	OIL GAGE		01
04	0503010185	2-221 N 3006-9B O'RING		01
05	0502020472	FRONTAL COVER		01
06	0503031604	1/2" BSP PLUG		01
07	0503010046	2-216 N 3006-9B O'RING		01
08	0501016309	2" 1X 2.5/16" NUT		01



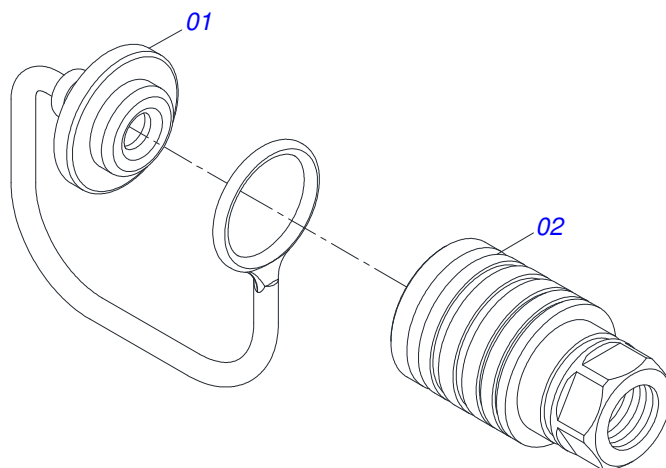
Item	Code	Description	See page	QT
001	0503061770	PUMP WITH TUBE	01	01
002	0503010173	2-220 N 3006-9B O'RING	02	02
003	0521060103	PUMP SUCTION TUBE	01	01
004	0503010355	7/16" X 1" BOLT	04	04
005	0503010180	7/16" SPRING WASHER	04	04
006	0503011087	3/8" X 1" BOLT	04	04
007	0503010025	3/8 SPRING WASHER	04	04
008	0503030388	PLUG N-005	01	01
009	0501069661	PUMP PRESSURE TUBE	01	01



Item	Code	Description	See page	QT
01	0503018034	MALE KNEE JIC		01
02	0581014055	ADAPTER		01
03	0503016854	VALVE ASSY		01
04	0503010045	2-116 N 3006-9B O'RING		01
05	0581014054	BSP 1/2" NIPPLE		01
06	0503030385	CYLINDER PLUG N-002		01



Item	Code	Description	See page	QT
01	0503011627	QUICK CONNECTION (MALE) AGR 1/2 NPT		01
02	0503011882	QUICK CONNECTION COVER		01



Item	Code	Description	See page	QT
01	0503011883	QUICK CONNECTION COVER		01
02	0503011628	FEMALE QUICK COUPLER		01



MARCHESAN IMPLEMENTOS E MÁQUINAS AGRÍCOLAS TATU S.A.

AV. Marchesan, 1979 - Post office box, 131 - CEP 15994-900 - Matão - SP - Brazil

Phone +55 16.3382-8282

(FAX Parts) + 55 16.3382. 8297 - (Export) + 55 16.3382.1003

e.mail: tatu@marchesan.com.br www.marchesan.com.br

Technical Publications: Elaboration

JOÃO VIRGINIO ROCHA

Technical Publications: Revision

JOSÉ DOMINGOS GASPARI

Contact Catálogo:

E-mail = jgaspari@marchesan.com.br

**ORIGINAL PARTS
TATU**

