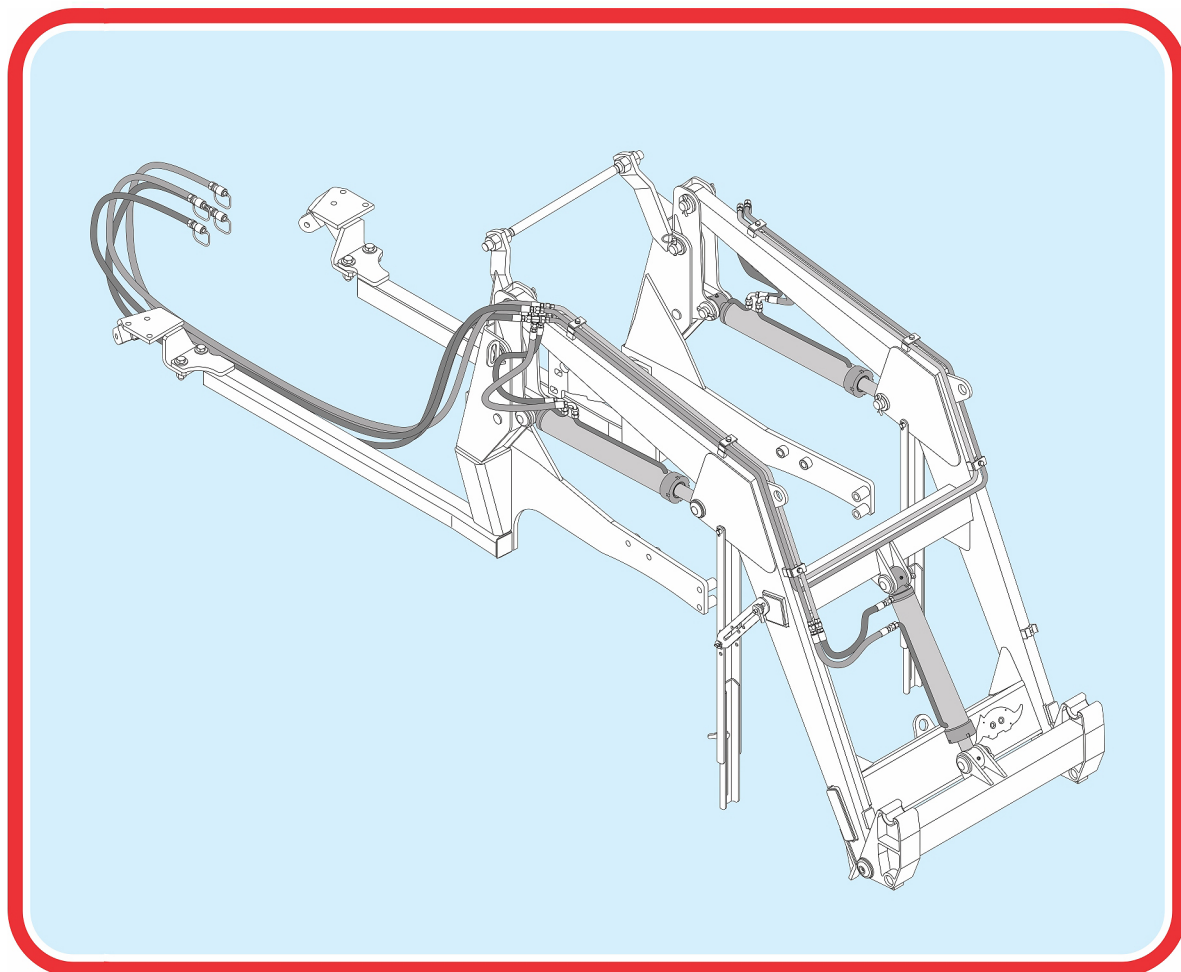


PARTS CATALOG

AGRICULTURAL FRONT LOADER

PCA 600 NH 75E-4 MWM BT SC SL

Code: 0501091852



Series: S-0713

Review: ABRIL/2017

ORIGINAL PARTS
TATU



PRODUCTS

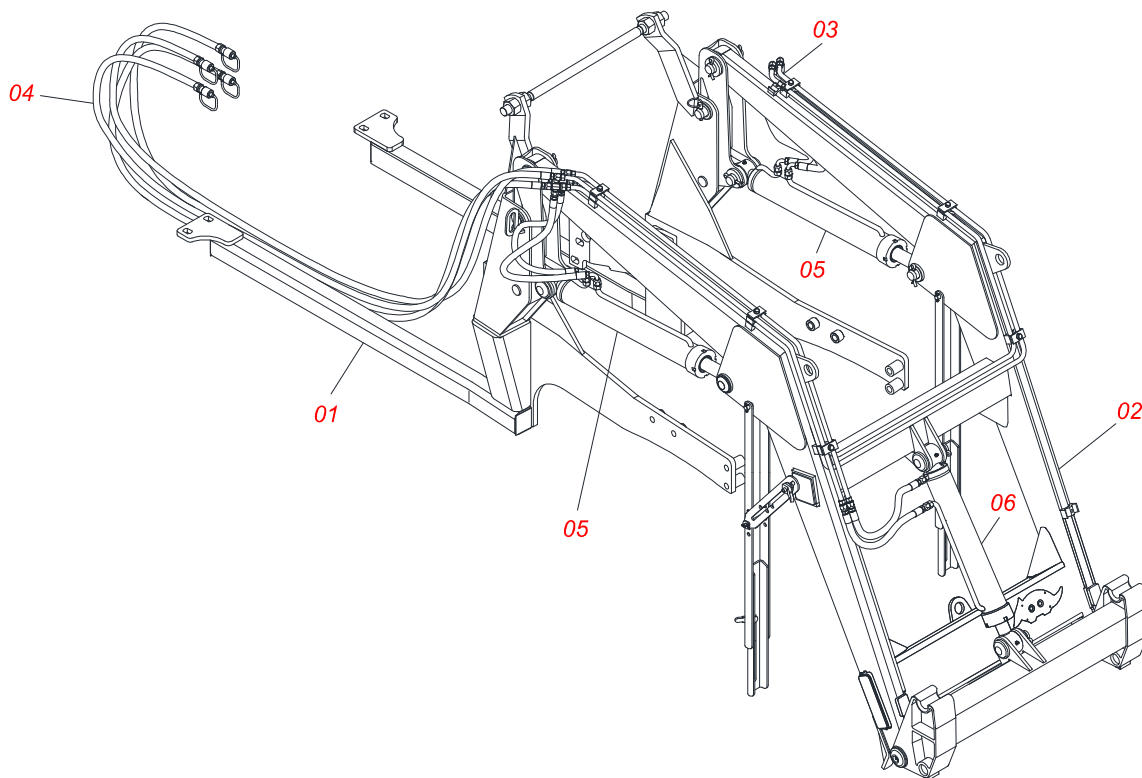
Code	Description
0106111100	PCA 600 NH 75E-4 MWM BT SC SL

ATTENTION: **IMPORTANT**

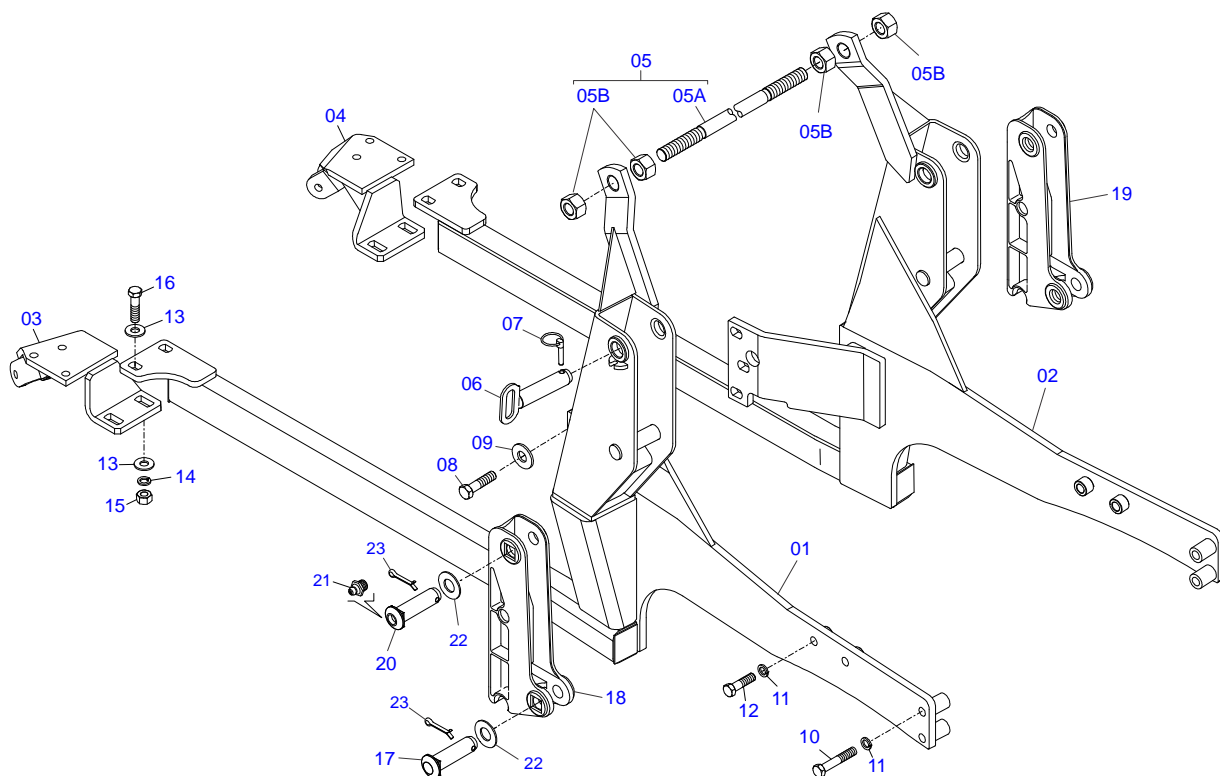
MARCHESAN S/A RESERVES THE RIGHT AT ANY TIME TO MAKE IMPROVEMENTS IN THE DESIGN, MATERIAL OR SPECIFICATIONS OF MACHINERY, EQUIPMENT OR PARTS WITHOUT THEREBY BECOMING LIABLE TO MAKE SIMILAR CHANGES IN MACHINERY, EQUIPMENT OR PARTS PREVIOUSLY SOLD.

INDEX

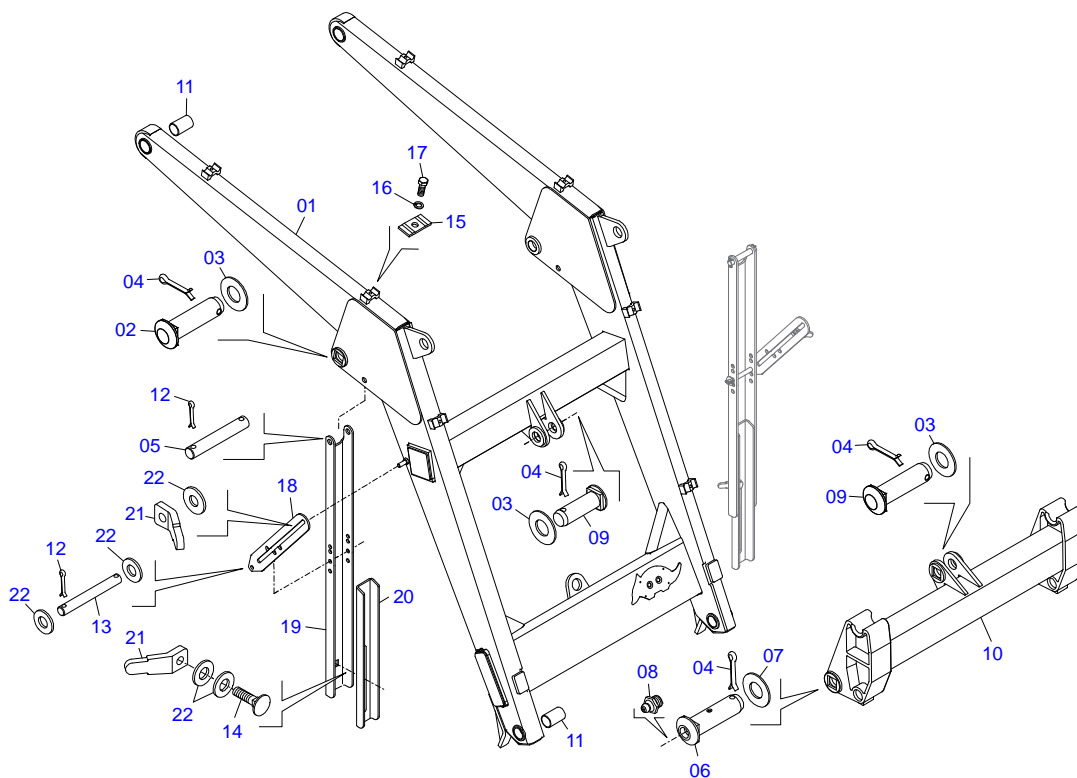
0106111100	PCA 600 NH 75E-4 MWM BT SC SL	0
0909092387	CHASSY ASSEMBLY PCA 600 NH BT SC SL	1
0909092383	MOVEL SUPPORT SET PCA 600	2
0909092385	HYDRAULIC CIRCUIT SUPPORT MOVEL PCA 600	3
0909092342	HYDRAULIC CIRCUIT PCA 600 BT	4
0511057886	HYDRAULIC CYLINDER	5
0511057887	HYDRAULIC CYLINDER	6
0501053834	QUICK CONECTION (MALE) 1/2	7



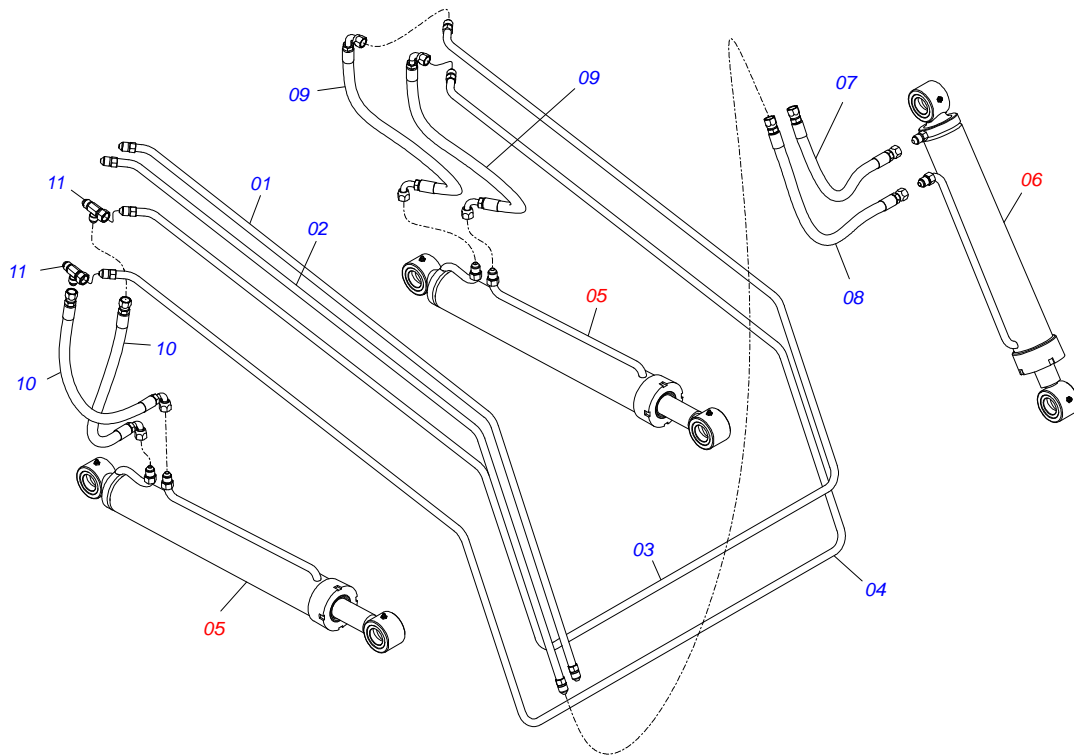
Item	Code	Description	QT
01	0909092387	CHASSY ASSEMBLY PCA 600 NH BT SC SL	
02	0909092383	MOVEL SUPPORT SET PCA 600	
03	0909092385	HYDRAULIC CIRCUIT SUPPORT MOVEL PCA 600	
04	0909092342	HYDRAULIC CIRCUIT PCA 600 BT	
05	0511057886	HYDRAULIC CYLINDER	
06	0511057887	HYDRAULIC CYLINDER	



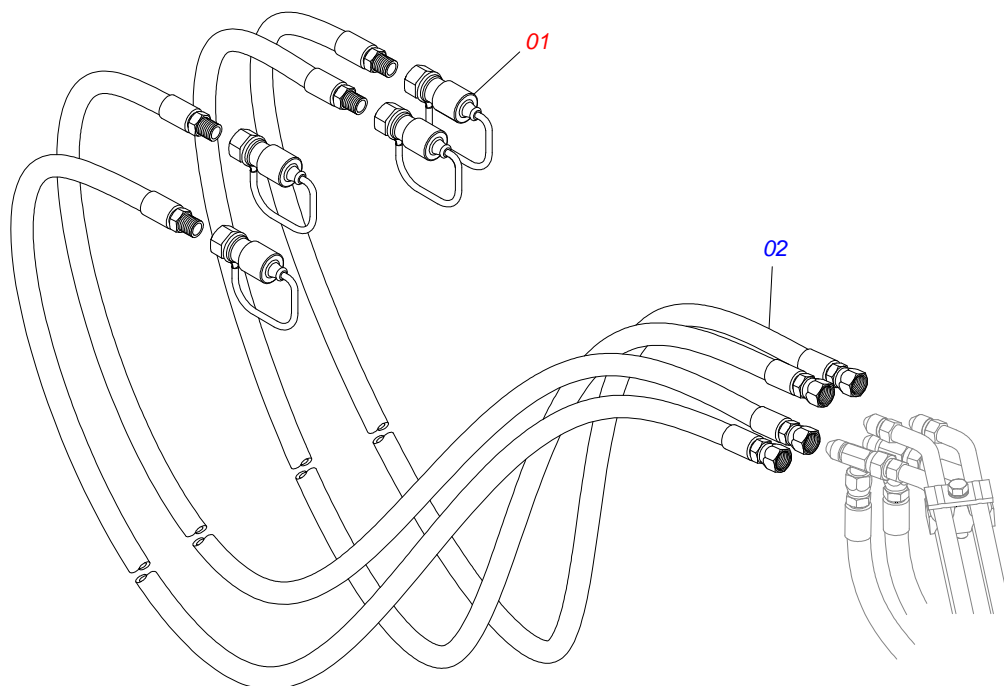
Item	Code	Description	QT
01	0511067213	RIGHT FRAME PCA600 75E-4BT MWM S1005	01
02	0511067215	LEFT FRAME - PCA600 75E-4 MWM S-1005	01
03	0501069121	RH FRAME BRACKET	01
04	0501069122	LH FRAME BRACKET	01
05	0501040954	1.1/4" NC X 760 ROD	01
05A	0501018845	1.1/4" X 33.46" ROD	01
05B	0501810087	NUT - 1.1/4 UNC 7FPP (SEXT.2) SA	04
06	0511064616	1.5" X 6.9" COUPLING SHAFT	02
07	0503030430	7/16 X 2" PIN LOCK	02
08	0503013110	M20 X 2,5 X 50 BOLT	06
09	0501010322	FLAT WASHER	06
10	0503013366	M20 X 2,5 X 110 BOLT	04
11	0503010023	SPRING WASHER	08
12	0503013896	M20 X 2,5 X 85 BOLT	04
13	0501010322	FLAT WASHER	08
14	0503010023	SPRING WASHER	04
15	0503010014	3/4" NUT	04
16	0501010500	3/4"X3"BOLT	04
17	0511019520	1.5" X 1.4" PIVOT SHAFT	02
18	0502012382	RIGHT MOBILE TOWER	01
19	0502012381	LEFT MOBILE TOWER	01
20	0511019519	1.5" X 1.4" PIVOT SHAFT	02
21	0503010002	1800 GREASE FITTING	02
22	0511019685	FLAT WASHER	04
23	0503010534	3/8 X 2-1/2 COTTERPIN	04



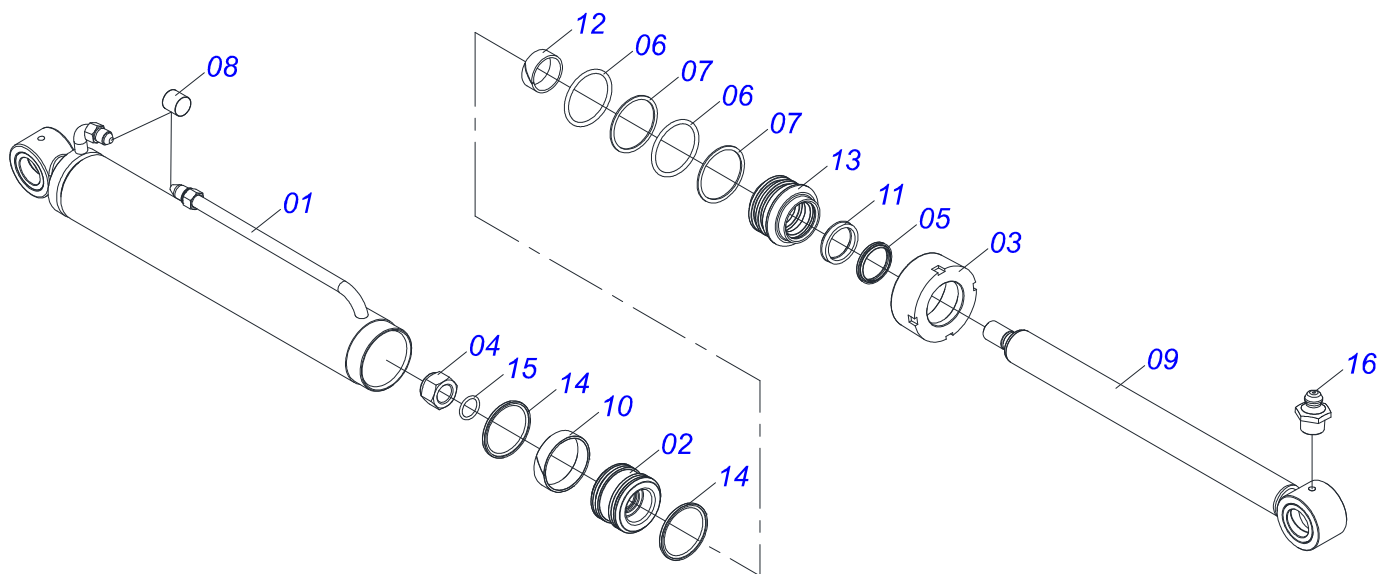
Item	Code	Description	QT
01	0501068663	MOBILE SUPPORT	01
02	0521010904	1.5" X 1.4" PIVOT SHAFT	02
03	0511019685	FLAT WASHER	04
04	0503010534	3/8 X 2-1/2 COTTERPIN	10
05	0511013598	3/4" X 4.7" COUPLING SHAFT	02
06	0511019519	1.5" X 1.4" PIVOT SHAFT	02
07	0501012916	FLAT WASHER 38,50 X 66 X 4,75 ZN	02
08	0503010002	1800 GREASE FITTING	04
09	0511019521	1.5" X 1.4" PIVOT SHAFT	02
10	0501068598	JOINT SUPPORT	01
11	0501110253	BUSHING 37,70 X 55 X 70 PCA	04
12	0503010071	3/16" X 1" COTTERPIN	08
13	0521012823	COUPLING SHAFT	02
14	0503014378	1/2" X 1-1/2" BOLT	02
15	0531011180	UPPER BODY CLIP	05
16	0503010180	7/16" SPRING WASHER	05
17	0503011102	PARAFUSO 7/16 UNC X 1.1/4 C S G.5	03
18	0511019634	CONTROL LOCK	02
19	0561016401	PLOUGH SUPPORT BODY	02
20	0561016619	COMPLEMENTON REST	02
21	0561016329	LATCH HOLDER REST PCA	04
22	0511017302	FLAT WASHER	10



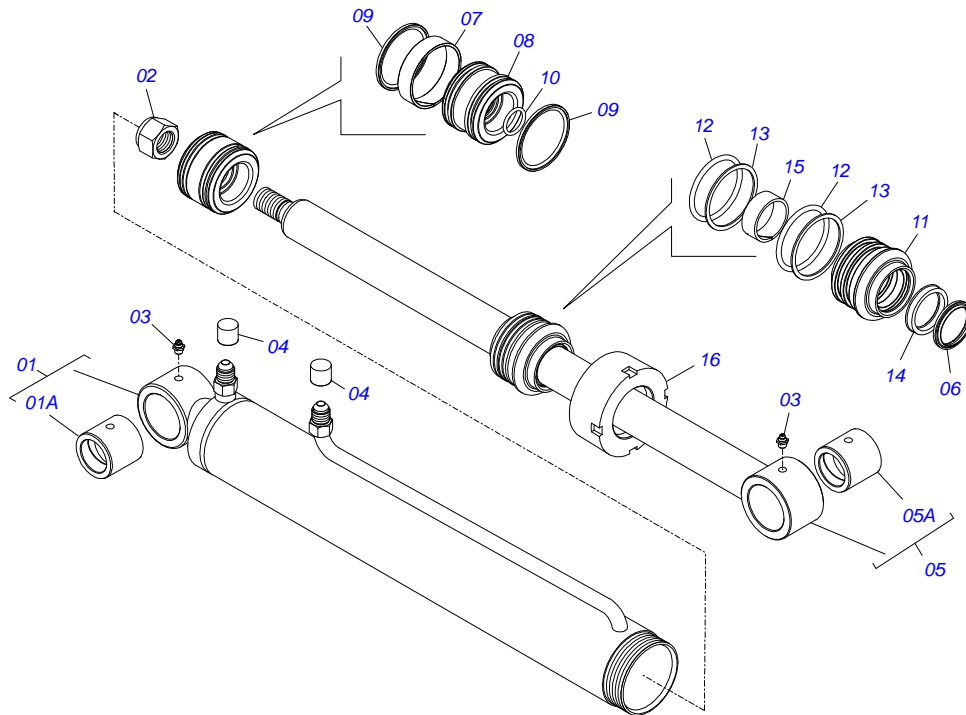
Item	Code	Description	QT
01	0501068615	OIL TUBE ASSY	01
02	0521062856	INTERNAL LOWER OIL DISTRIBUTOR	01
03	0501068621	INNER OIL TUBE	01
04	0501068622	OUTER OIL TUBE	01
05	0511057886	HYDRAULIC CYLINDER	02
06	0511057887	HYDRAULIC CYLINDER	01
07	0501080635	3/8" X 19" TR-TR HOSE	01
08	0501080193	HOSE	01
09	0501082005	3/8 X 750 TC-TC 90G HOSE	02
10	0501080328	3/8" X 29" TR-TC HOSE	02
11	0503011968	T ADAPTOR WITH GIRAT	02



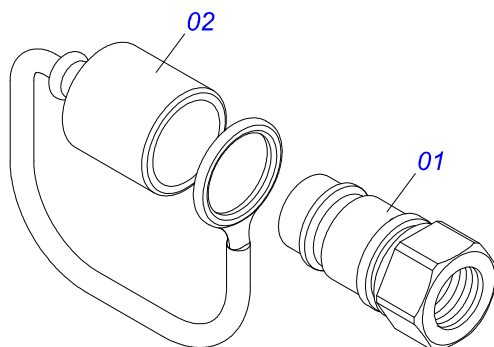
Item	Code	Description	QT
01	0501053834	QUICK CONECTION (MALE) 1/2	04
02	0501081124	HOSE 3/8" X 4200-TM TR	04



Item	Code	Description	QT
01	0511067373	76,2 X 740 CYLINDER CASE	01
02	0581010301	RING SUPPORT	01
03	0502011899	MOBILE COVER	01
04	0503010063	1" SELF-ALIGNING NUT	01
05	0503010761	D-1750 SCRAPER RING	01
06	0503010343	2-334 N 3006-9B O-RING	02
07	0503011059	8-334 BACK-UP RING	02
08	0503030385	PLUG	02
09	0521066424	AIR TURNBUCKLE	01
10	0503018140	RING GUIDE	01
11	0503017937	GASKET	01
12	0503017938	RING GUIDE	01
13	0581010304	PISTON	01
14	0503018138	RING BS	02
15	0503010042	2-214 N 3006-9B O-RING	01
16	0503010002	1800 GREASE FITTING	02



Item	Code	Description	QT
01	0511063212	3" X 23" CYLINDER CASE	01
01A	0521010514	38,1 X 52,9 X 50 SLEEVE INTER	01
02	0503010063	1" SELF-ALIGNING NUT	01
03	0503010002	1800 GREASE FITTING	02
04	0503030385	PLUG	02
05	0521066425	TURNBUCKLE - 44,45 X 605 PCA 600	01
05A	0501110275	BUSHING COUPLING 75 X 38,1 X 50	01
06	0503010761	D-1750 SCRAPER RING	01
07	0503018140	RING GUIDE	01
08	0581010304	PISTON	01
09	0503018138	RING BS	02
10	0503010042	2-214 N 3006-9B O'RING	01
11	0581010301	RING SUPPORT	01
12	0503010343	2-334 N 3006-9B O'RING	02
13	0503011059	8-334 BACK-UP RING	02
14	0503017937	GASKET	01
15	0503017938	RING GUIDE	01
16	0502011899	MOBILE COVER	01



Item	Code	Description	QT
01	0503011627	QUICK CONNECTION (MALE) AGR 1/2 NPT	01
02	0503011882	QUICK CONNECTION COVER	01



MARCHESAN IMPLEMENTOS E MÁQUINAS AGRÍCOLAS TATU S.A.

AV. Marchesan, 1979 - Post office box, 131 - CEP 15994-900 - Matão - SP - Brazil

Phone +55 16.3382-8282

(FAX Parts) + 55 16.3382. 8297 - (Export) + 55 16.3382.1003

e.mail: tatu@marchesan.com.br www.marchesan.com.br

Technical Publications: Elaboration

JOSÉ DOMINGOS GASPARI

Technical Publications: Revision

JOÃO VIRGINIO ROCHA

Contact Catálogo:

E-mail = jgaspari@marchesan.com.br

**ORIGINAL PARTS
TATU**

