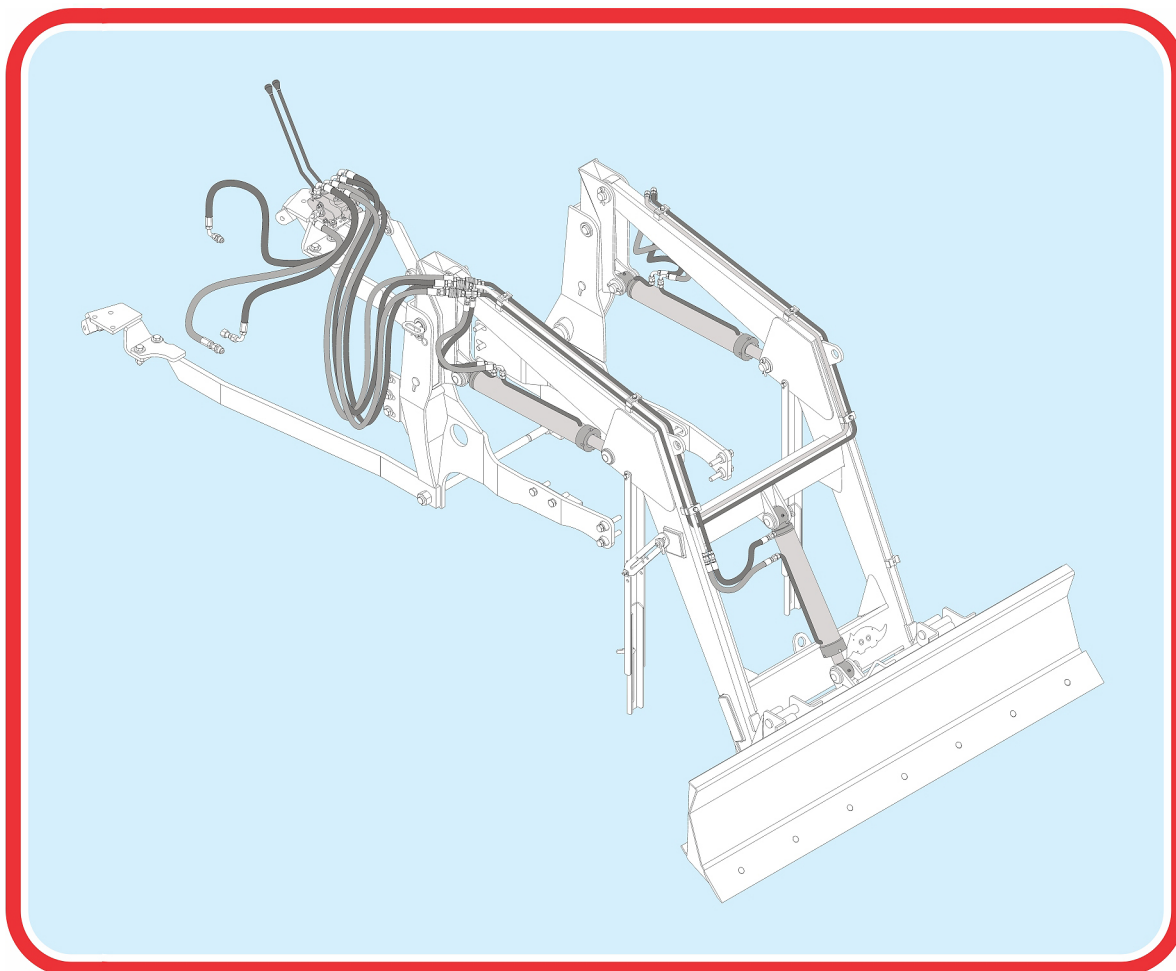


PARTS CATALOG

AGRICULTURAL FRONT LOADER

**PCA 600 NHTL 75A95E/CASE BT
CD**

Code: 0501091850



Series: S-0713

Review: ABRIL/2017

**ORIGINAL PARTS
TATU**



PRODUCTS

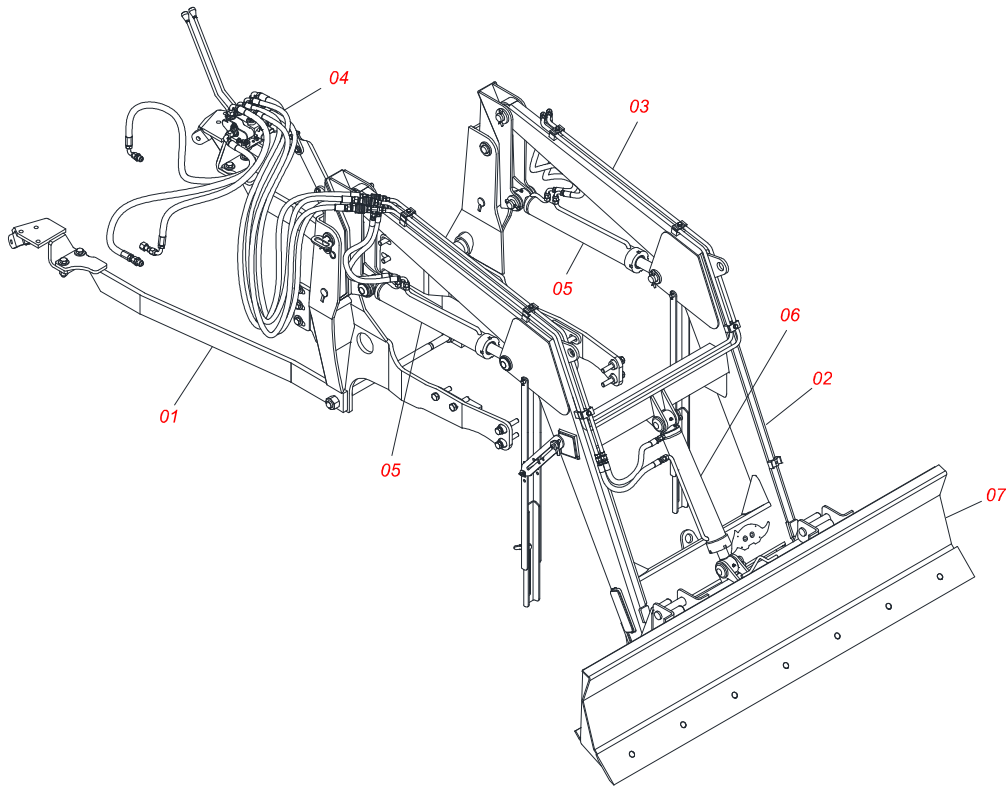
Code	Description
0106111421	PCA 600 NH TL75/85/95E/CASE BT CD

ATTENTION: **IMPORTANT**

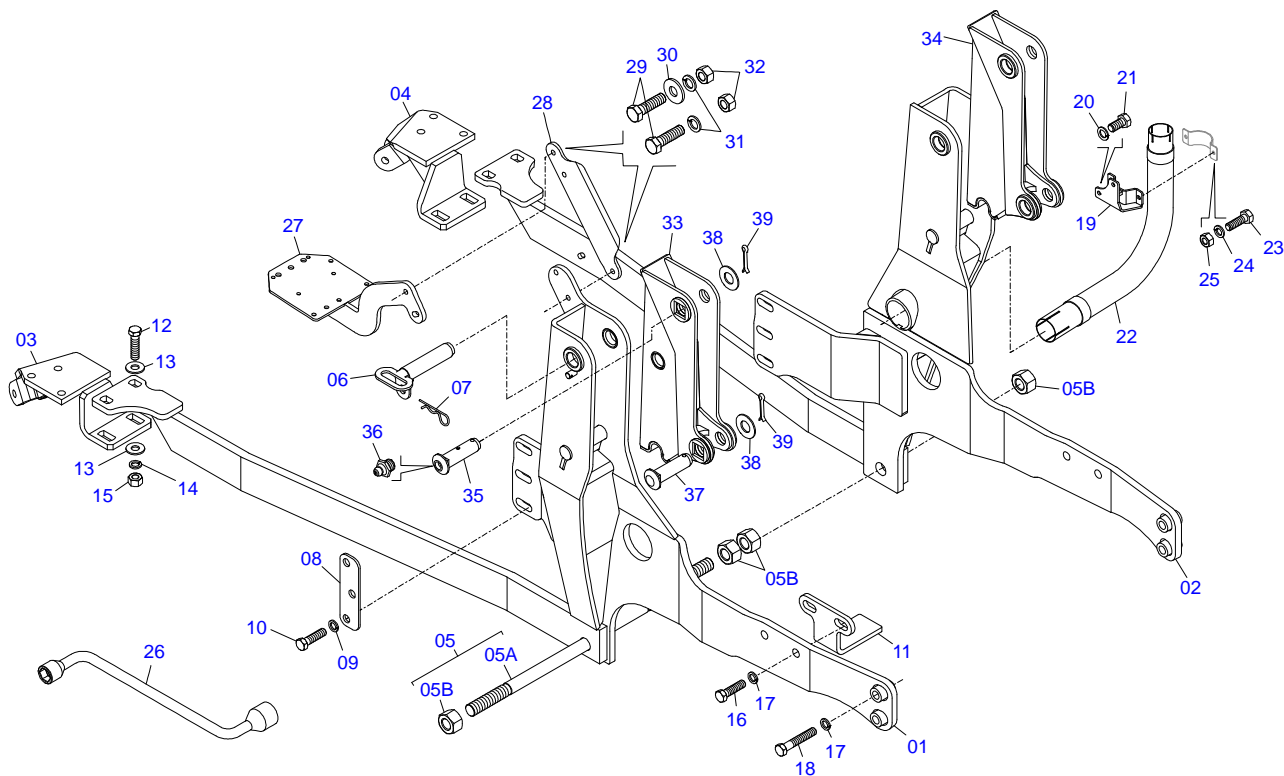
MARCHESAN S/A RESERVES THE RIGHT AT ANY TIME TO MAKE IMPROVEMENTS IN THE DESIGN, MATERIAL OR SPECIFICATIONS OF MACHINERY, EQUIPMENT OR PARTS WITHOUT THEREBY BECOMING LIABLE TO MAKE SIMILAR CHANGES IN MACHINERY, EQUIPMENT OR PARTS PREVIOUSLY SOLD.

INDEX

0106111421	PCA 600 NH TL75/85/95E/CASE BT CD	1
0909092353	CHASSI ASSEMBLY PCA 600 NH BT CD	2
0909092340	MOVEL SUPPORT SET PCA 600	3
0909092341	HYDRAULIC CIRCUIT SUPPORT MOVEL PCA 600	4
0909092344	HYDRAULIC CIRCUIT PCA 600 NH BT CD	5
0511057887	HYDRAULIC CYLINDER	6
0511057917	HYDRAULIC CILINDER	7
0909092343	2200MM DOZER BLADE COMPLETE	8
0501048475	DUAL CONTROL WITH PRESSURE PASSAGE PCA NH/JD	9
0501047446	CONTROL VALVE (P/COM 1/2 PCA)	10
0501053834	QUICK CONECTION (MALE) 1/2	11
0501053835	FEMALE QUICK COUPLER	12



Item	Code	Description
01	0909092353	CHASSI ASSEMBLY PCA 600 NH BT CD
02	0909092340	MOVEL SUPPORT SET PCA 600
03	0909092341	HYDRAULIC CIRCUIT SUPPORT MOVEL PCA 600
04	0909092344	HYDRAULIC CIRCUIT PCA 600 NH BT CD
05	0511057887	HYDRAULIC CYLINDER
06	0511057917	HYDRAULIC CILINDER
07	0909092343	2200MM DOZER BLADE COMPLETE



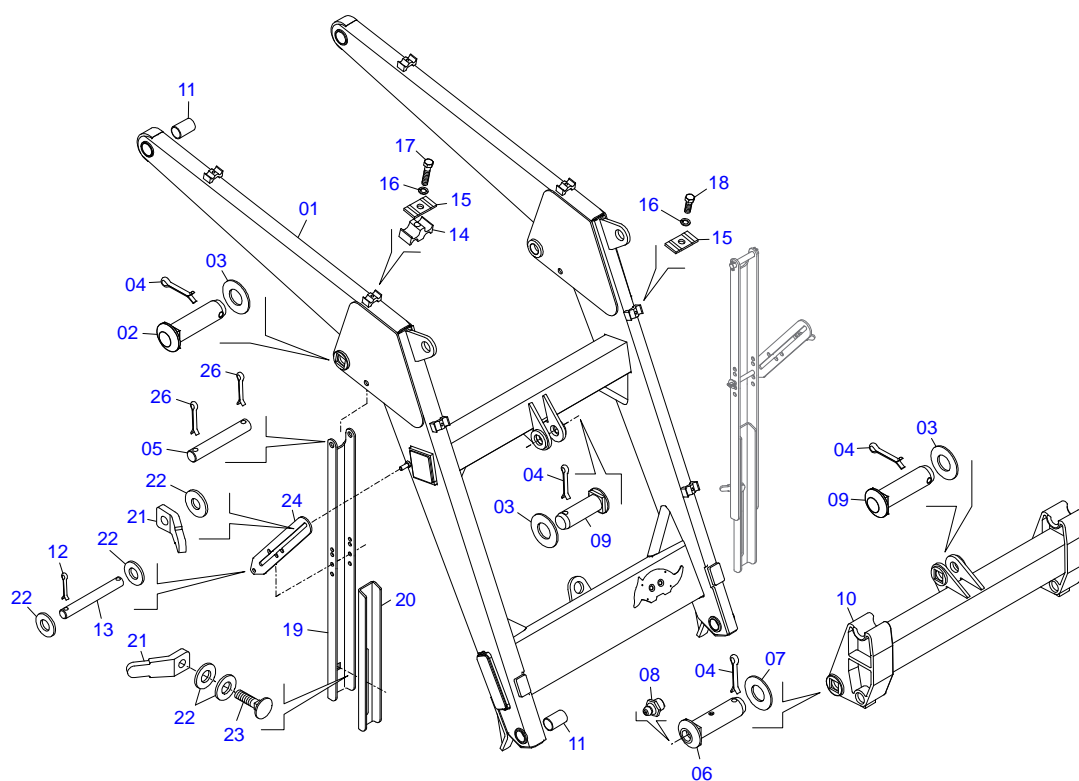
Item	Code	Description	QT
01	0521064253	RIGHT FRAME PCA 600 NHTL85E S713	01
02	0521064252	LEFT FRAME PCA600 NHTL85E S713	01
03	0501069121	RH FRAME BRACKET	01
04	0501069122	LH FRAME BRACKET	01
05	0501042819	1.1/4"NC X 33.46" ROD	01
05A	0501018845	1.1/4" X 33.46" ROD	01
05B	0501810087	NUT - 1.1/4 UNC 7FPP (SEXT.2) SA	04
06	0521061682	AXLE FIXER	02
07	0503030012	HAIR PIN	02
08	0571014582	SPACER PCA/PD NHTL85E	02
09	0503010023	SPRING WASHER	06
10	0503013111	M20 X 2,5 X 65 BOLT	06
11	0571014616	BEATER PCA/PD NHTL85E S0713	02
12	0501010500	3/4"X3"BOLT	04
13	0501010322	FLAT WASHER	08
14	0503010023	SPRING WASHER	04
15	0503010014	3/4" NUT	04
16	0503812693	M16 X 2 X 75 C S BOLT 8.8 SA	04
17	0503010023	SPRING WASHER	08
18	0503013366	M20 X 2,5 X 110 BOLT	04
19	0521065454	FASTENER ASSY PCA NH TL 75/85/95E	01
20	0503010025	3/8 SPRING WASHER	02
21	0503011334	3/8" X 3/4" BOLT	02
22	0503062302	EXTENSION	01
23	0503810363	SCREW 5/16	02
24	0503010179	SPRING WASHER	02
25	0503810337	5/16" NUT SA	02
26	0501068213	5/8" WRENCH DOUBLE	01
27	0521064944	SUPPORT COMMAND PCA 800 NH TL 95E S414	01
28	0571016147	COMMAND SUPPORT FIXER PCA 800 NHTL 95E	01
29	0503011082	C1/2" X 1.3/4" BOLT	04
30	0511017302	FLAT WASHER	02
31	0503010019	1/2" SPRING WASHER	04



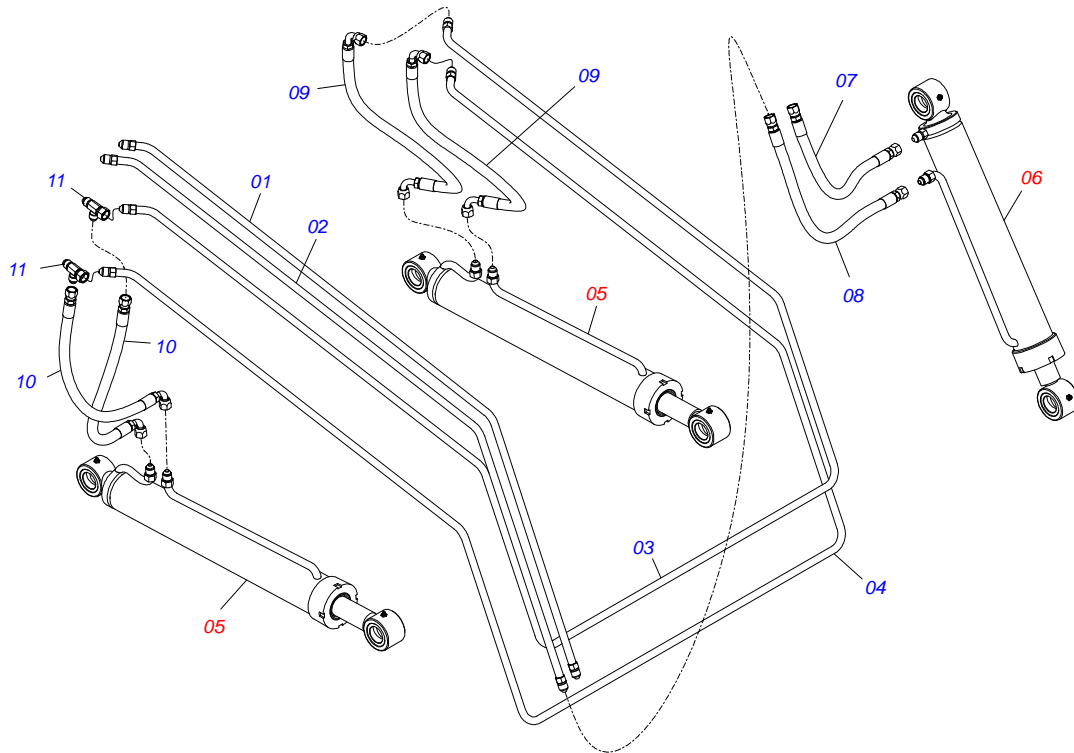
PCA 600 NHTL 75A95E/CASE BT CD
CHASSI ASSEMBLY PCA 600 NH BT CD

Page 2
0909092353

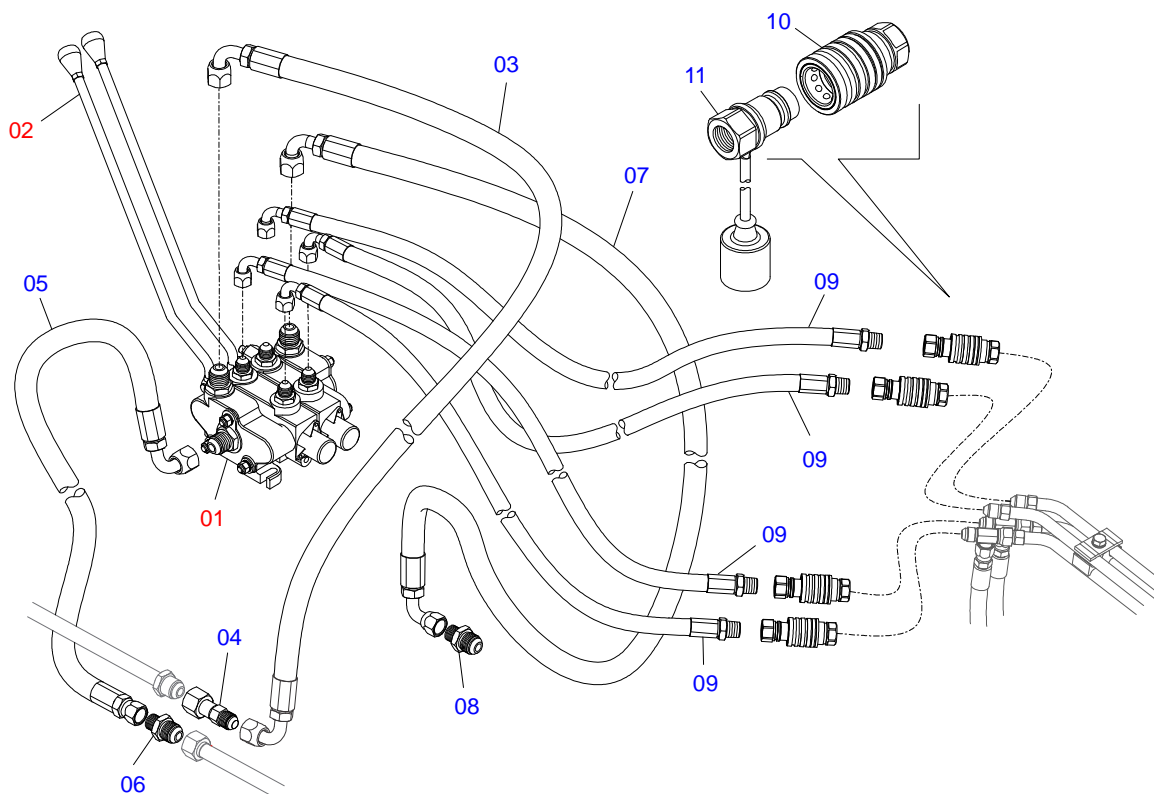
Item	Code	Description	QT
32	0503010060	1/2" NUT	04
33	0521064354	MOBILE TOWER RIGHT - PCA NH TL85E/CASE80	01
34	0521064355	MOBILE TOWER LEFT - PCA NH TL85E/CASE80	01
35	0511019519	1.5" X 1.4" PIVOT SHAFT	02
36	0503010002	1800 GREASE FITTING	02
37	0511019520	1.5" X 1.4" PIVOT SHAFT	02
38	0511019685	FLAT WASHER	04
39	0503010534	3/8 X 2-1/2 COTTERPIN	04



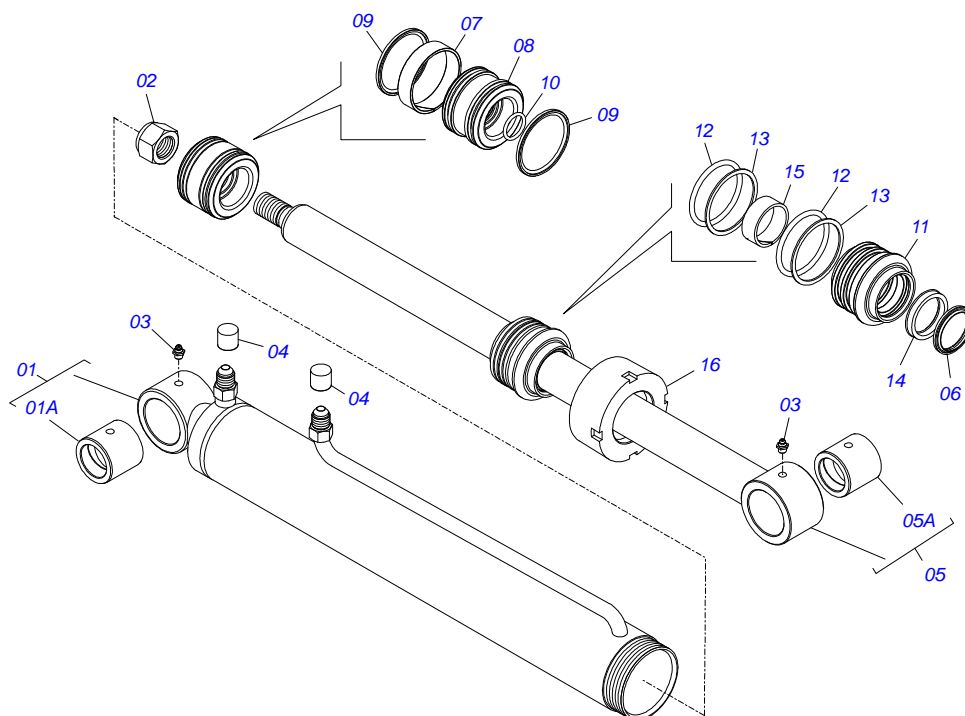
Item	Code	Description	QT
01	0501069933	MOBILE SUPPORT PCA 600 AX 5.80	01
02	0521010904	1.5" X 1.4" PIVOT SHAFT	02
03	0511019685	FLAT WASHER	04
04	0503010534	3/8 X 2-1/2 COTTERPIN	10
05	0511013598	3/4" X 4.7" COUPLING SHAFT	02
06	0511019519	1.5" X 1.4" PIVOT SHAFT	02
07	0501012916	FLAT WASHER 38,50 X 66 X 4,75 ZN	02
08	0503010002	1800 GREASE FITTING	04
09	0511019521	1.5" X 1.4" PIVOT SHAFT	02
10	0501069934	ARTÍCULOS SOPORTE PCA 600 AX 5.80-4	01
11	0501110253	BUSHING 37,70 X 55 X 70 PCA	04
12	0503010071	3/16" X 1" COTTERPIN	04
13	0521012823	COUPLING SHAFT	02
14	0502012702	BODY SUPPORT CLAMP	03
15	0531011180	UPPER BODY CLIP	05
16	0503010180	7/16" SPRING WASHER	05
17	0503012555	7/16" X 2" BOLT	03
18	0503011102	PARAFUSO 7/16 UNC X 1.1/4 C S G.5	03
19	0561016401	PLOUGH SUPPORT BODY	02
20	0561016619	COMPLEMENTON REST	02
21	0561016329	LATCH HOLDER REST PCA	04
22	0511017302	FLAT WASHER	10
23	0503014378	1/2" X 1-1/2" BOLT	02
24	0511019634	CONTROL LOCK	02
26	0503010071	3/16" X 1" COTTERPIN	04



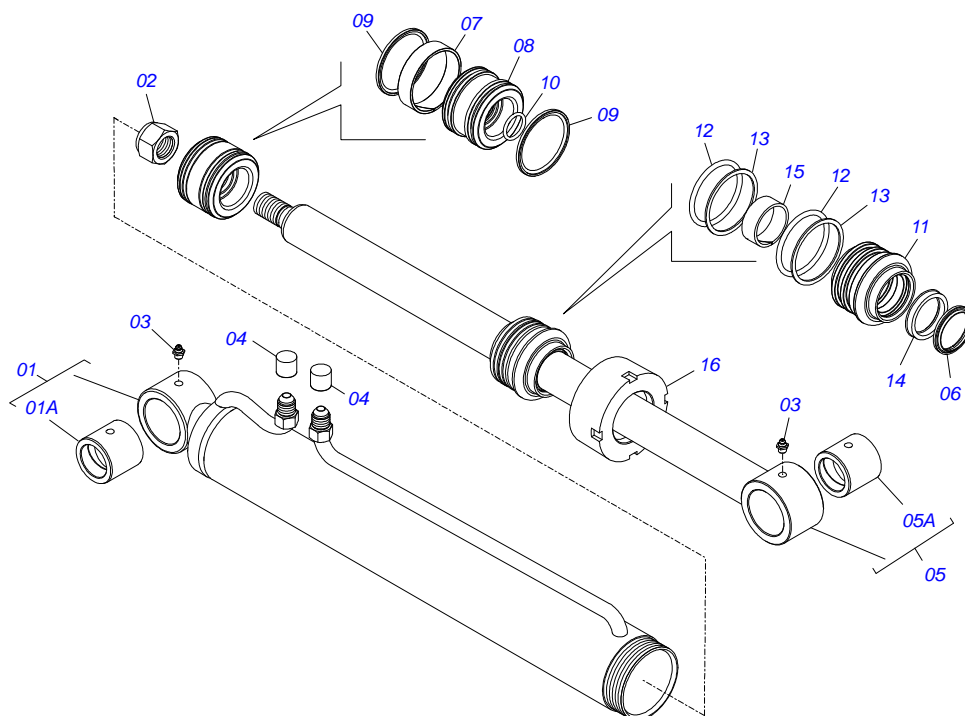
Item	Code	Description	QT
01	0501068615	OIL TUBE ASSY	01
02	0521062856	INTERNAL LOWER OIL DISTRIBUTOR	01
03	0511060287	INNER OIL TUBE PCA AX 5.80-4	01
04	0511060288	OUTER OIL TUBE PCA AX 5.80-4	01
05	0511057917	HYDRAULIC CILINDER	02
06	0511057887	HYDRAULIC CYLINDER	01
07	0501080635	3/8" X 19" TR-TR HOSE	01
08	0501080709	3/8" X 21.6" TR-TR HOSE	01
09	0501080688	3/8" X 25" TC-TC 90G HOSE	02
10	0501080599	3/8 X 650 TC-TR HOSE	02
11	0503011968	T ADAPTOR WITH GIRAT	02



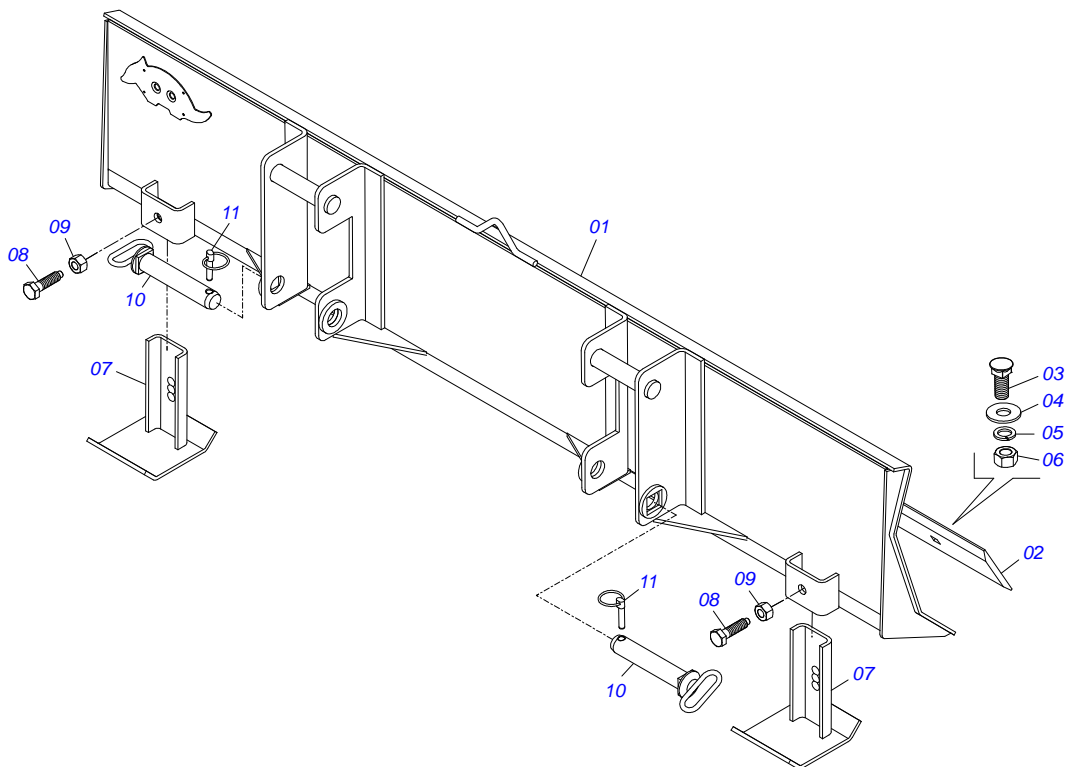
Item	Code	Description	QT
01	0501048475	DUAL CONTROL WITH PRESSURE PASSAGE PCA	01
02	0501047446	CONTROL VALVE (P/COM 1/2 PCA)	02
03	0501080734	1/2 X 2400 TC-TC HOSE	01
04	0511063097	7/8 UNF NIPLE WITH ROTARY NUT - NH 75E	01
05	0501081388	1/2 X 2350 TR-TC HOSE	01
06	0521010934	R.7/8 UNF X 1.1/16 UN X 60 NIPLE	01
07	0501080938	1/2 X 3800 TC-TC HOSE	01
08	0571015319	R7/8UNF X R3/4BSP SEX1.1/4X50 NIPLE	01
09	0501080883	TC-TM 3/8" X 59.06" HOSE ASSY	04
10	0501053835	FEMALE QUICK COUPLER	02
11	0501053834	QUICK CONECTION (MALE) 1/2	02



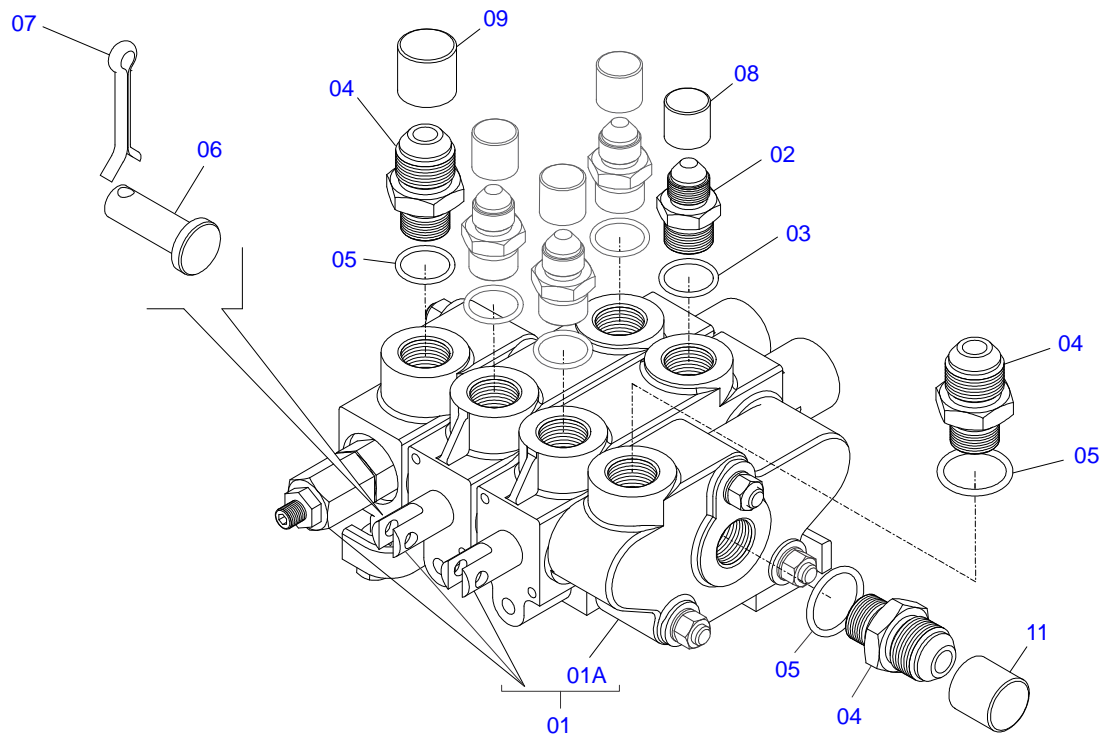
Item	Code	Description	QT
01	0511063212	3" X 23" CYLINDER CASE	01
01A	0521010514	38,1 X 52,9 X 50 SLEEVE INTER	01
02	0503010063	1" SELF-ALIGNING NUT	01
03	0503010002	1800 GREASE FITTING	02
04	0503030385	PLUG	02
05	0521066425	TURNBUCKLE - 44,45 X 605 PCA 600	01
05A	0501110275	BUSHING COUPLING 75 X 38,1 X 50	01
06	0503010761	D-1750 SCRAPER RING	01
07	0503018140	RING GUIDE	01
08	0581010304	PISTON	01
09	0503018138	RING BS	02
10	0503010042	2-214 N 3006-9B O'RING	01
11	0581010301	RING SUPPORT	01
12	0503010343	2-334 N 3006-9B O'RING	02
13	0503011059	8-334 BACK-UP RING	02
14	0503017937	GASKET	01
15	0503017938	RING GUIDE	01
16	0502011899	MOBILE COVER	01



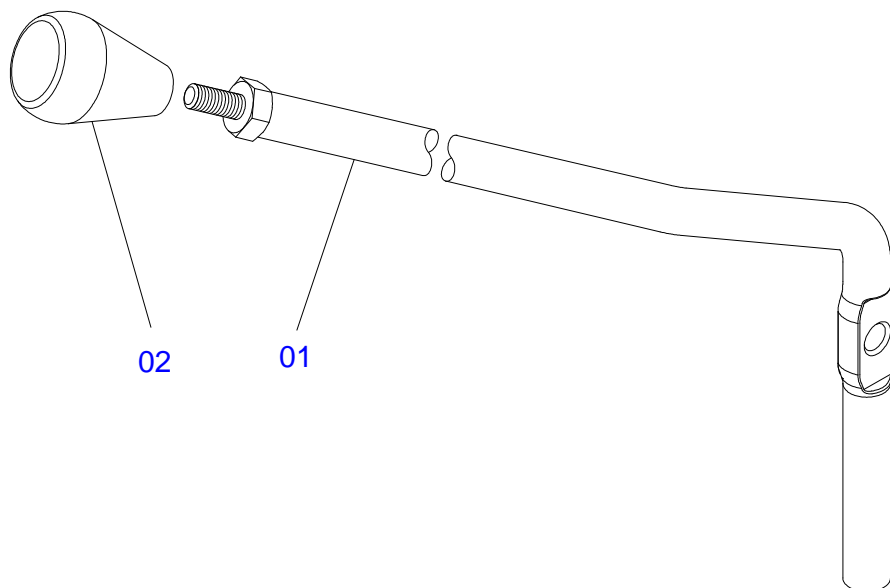
Item	Code	Description	QT
01	0521064582	Ø76,20 X 630 CYLINDER CASE	01
01A	0521010514	38,1 X 52,9 X 50 SLEEVE INTER	01
02	0503010063	1" SELF-ALIGNING NUT	01
03	0503010002	1800 GREASE FITTING	02
04	0503030385	PLUG	02
05	0521066424	AIR TURNBUCKLE	01
05A	0501110275	BUSHING COUPLING 75 X 38,1 X 50	01
06	0503010761	D-1750 SCRAPER RING	01
07	0503018140	RING GUIDE	01
08	0581010304	PISTON	01
09	0503018138	RING BS	02
10	0503010042	2-214 N 3006-9B O'RING	01
11	0581010301	RING SUPPORT	01
12	0503010343	2-334 N 3006-9B O'RING	02
13	0503011059	8-334 BACK-UP RING	02
14	0503017937	GASKET	01
15	0503017938	RING GUIDE	01
16	0502011899	MOBILE COVER	01



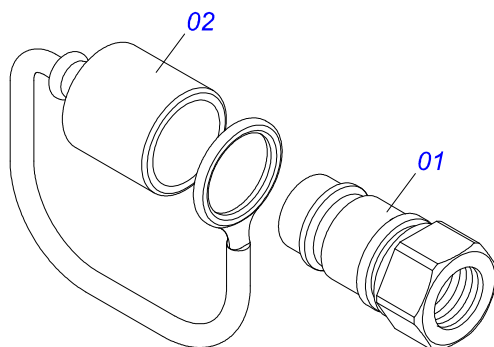
Item	Code	Description	QT
01	0511064165	BLADE FRONT	01
02	0531019518	SCRAPER 2220 X 6 X 1/2	01
03	0501812239	5/8 UNC X 1.3/4 - SPECIAL BOLT	07
04	0571810265	FLAT WASHER	07
05	0503011445	SPRING WASHER	07
06	0503810013	NUT 5/8 NC	07
07	0511064780	SHOE SLIDE LIGHT STABILIZING	02
08	0501018246	3/4" X 3" BOLT	02
09	0503010014	3/4" NUT	02
10	0521063680	HITCH PIN (185) SAB PCA800	02
11	0503030430	7/16 X 2" PIN LOCK	02



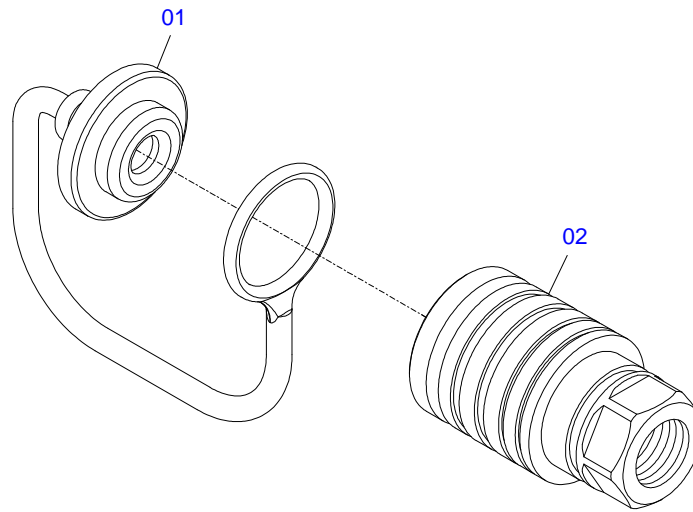
Item	Code	Description	QT
01	0503060081	1/2" DOUBLE COMMAND	01
01A	0503012705	DISCHARGE BODY WITH PRESSURE PASSAGE -	01
02	0511010111	7/8" NIPPLE	04
03	0503010045	2-116 N 3006-9B O'RING	04
04	0511018014	7/8"NF X 1.1/16 UN NIPPLE	03
05	0503011109	2-119 N 3006-9B O'RING	03
06	0521010532	0.3" X 0.9" COUPLING SHAFT	02
07	0503010140	1/8" X 3/4" COTTERPIN	02
08	0503030385	PLUG	04
09	0503030387	PLUG	03



Item	Code	Description	QT
01	0501047446	CONTROL VALVE (P/COM 1/2 PCA)	02
02	0503030878	LEVER CRANK	02



Item	Code	Description	QT
01	0503011627	QUICK CONNECTION (MALE) AGR 1/2 NPT	01
02	0503011882	QUICK CONNECTION COVER	01



Item	Code	Description	QT
01	0503011883	QUICK CONNECTION COVER	01
02	0503011628	FEMALE QUICK COUPLER	01



MARCHESAN IMPLEMENTOS E MÁQUINAS AGRÍCOLAS TATU S.A.

AV. Marchesan, 1979 - Post office box, 131 - CEP 15994-900 - Matão - SP - Brazil

Phone +55 16.3382-8282

(FAX Parts) + 55 16.3382. 8297 - (Export) + 55 16.3382.1003

e.mail: tatu@marchesan.com.br www.marchesan.com.br

Technical Publications: Elaboration

JOSÉ DOMINGOS GASPARI

Technical Publications: Revision

JOÃO VIRGINIO ROCHA

Contact Catálogo:

E-mail = jgaspari@marchesan.com.br

**ORIGINAL PARTS
TATU**

