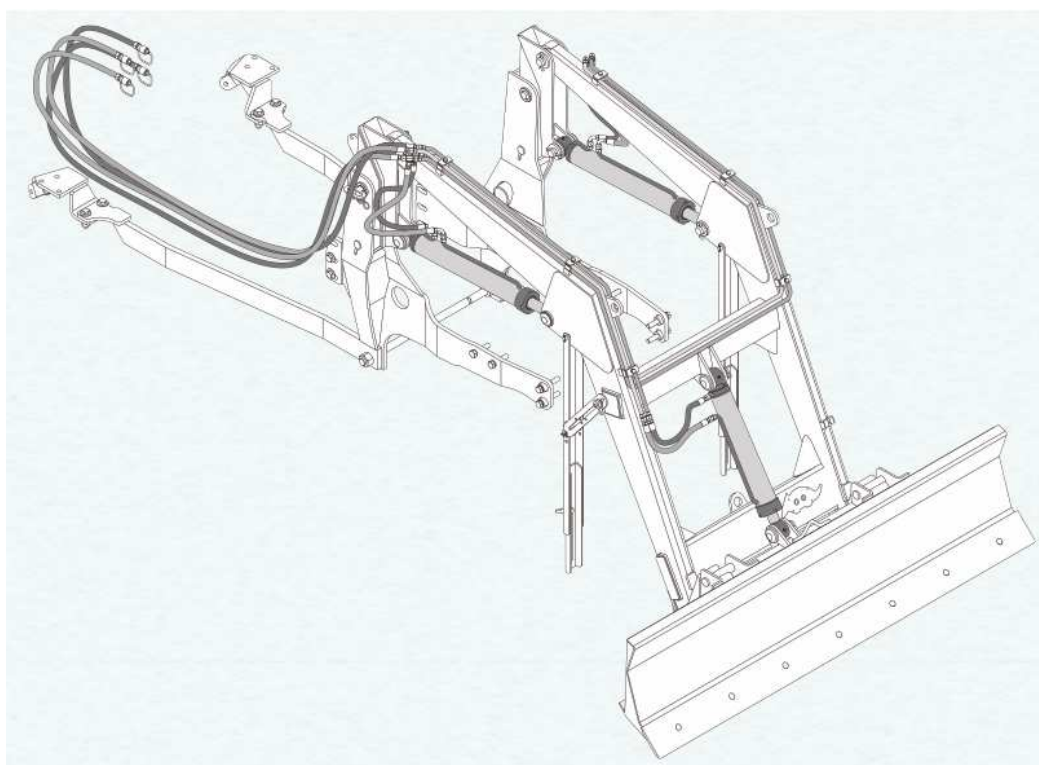


# ***PARTS CATALOG***

## **PCA - AGRICULTURAL FRONT LOADER**

**PCA 600 NH TL 75 A 95E CASE BT SC**

**Code: 0501091848**



**Series: S-0713**

**Rev.: 00**

**Date Rev.: ABRIL/2017**

**ORIGINAL PARTS  
TATU**



# PRODUCTS

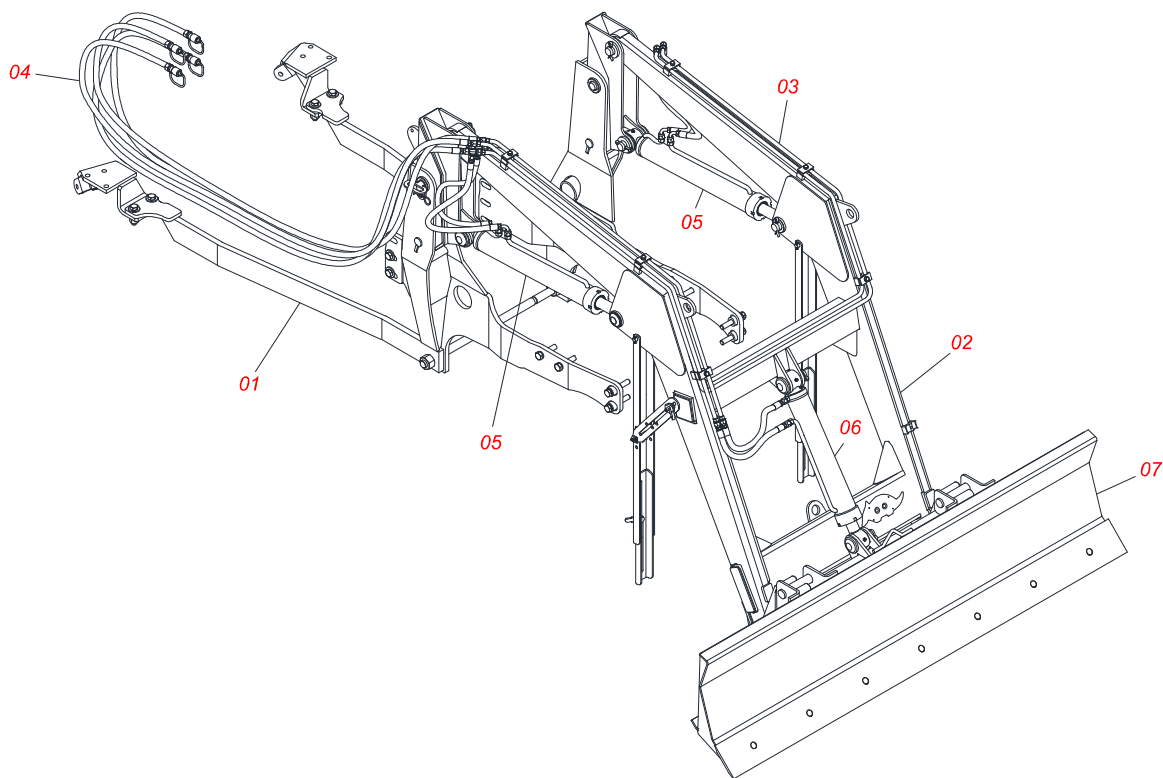
Code	Description
0106111403	PCA 600 NH TL75/85/95E/CASE BT SC

## ATTENTION: **IMPORTANT**

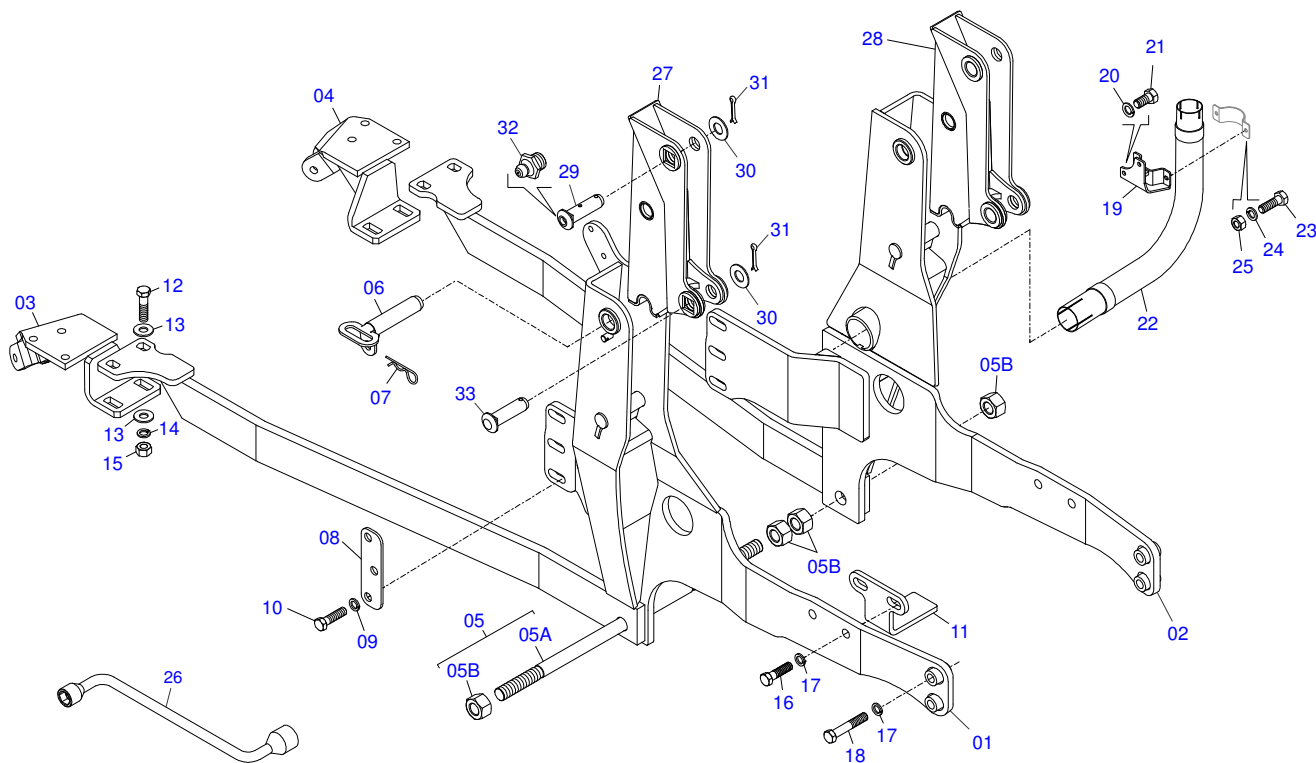
MARCHESAN S/A RESERVES THE RIGHT AT ANY TIME TO MAKE IMPROVEMENTS IN THE DESIGN, MATERIAL OR SPECIFICATIONS OF MACHINERY, EQUIPMENT OR PARTS WITHOUT THEREBY BECOMING LIABLE TO MAKE SIMILAR CHANGES IN MACHINERY, EQUIPMENT OR PARTS PREVIOUSLY SOLD.

# INDEX

0106111403	PCA 600 NH TL75/85/95E/CASE BT SC	.....	1
0909092339	FRAME ASSY PCA 600 NH - BT SC	.....	2
0909092340	MOVEL SUPPORT SET PCA 600	.....	3
0909092341	HYDRAULIC CIRCUIT SUPPORT MOVEL PCA 600	.....	4
0909092342	HYDRAULIC CIRCUIT PCA 600 BT	.....	5
0511057917	HYDRAULIC CILINDER	.....	6
0511057887	HYDRAULIC CYLINDER	.....	7
0909092343	2200MM DOZER BLADE COMPLETE	.....	8
0501053834	MALE QUICK COUPLING AGRICULTURAL WITH COVER - 1/2 NPT	.....	9



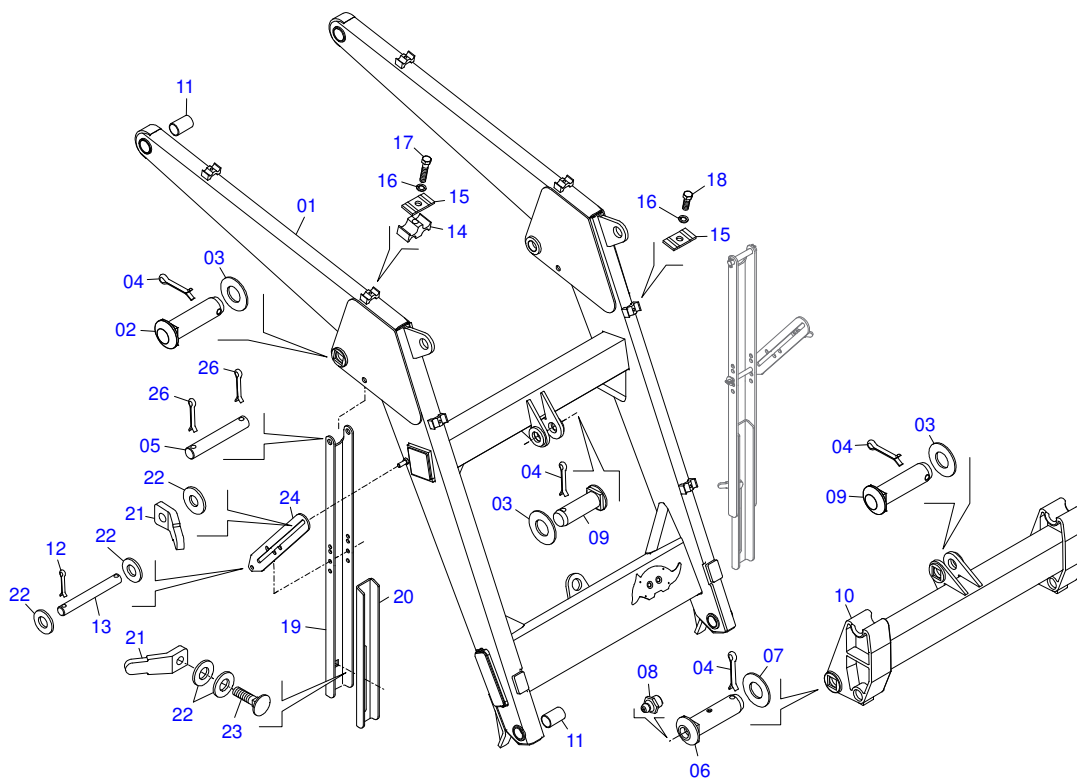
Item	Code	Description	See page
01	0909092339	FRAME ASSY PCA 600 NH - BT SC	2
02	0909092340	MOVEL SUPPORT SET PCA 600	3
03	0909092341	HYDRAULIC CIRCUIT SUPPORT MOVEL PCA 600	4
04	0909092342	HYDRAULIC CIRCUIT PCA 600 BT	5
05	0511057917	HYDRAULIC CILINDER	6
06	0511057887	HYDRAULIC CYLINDER	7
07	0909092343	2200MM DOZER BLADE COMPLETE	8



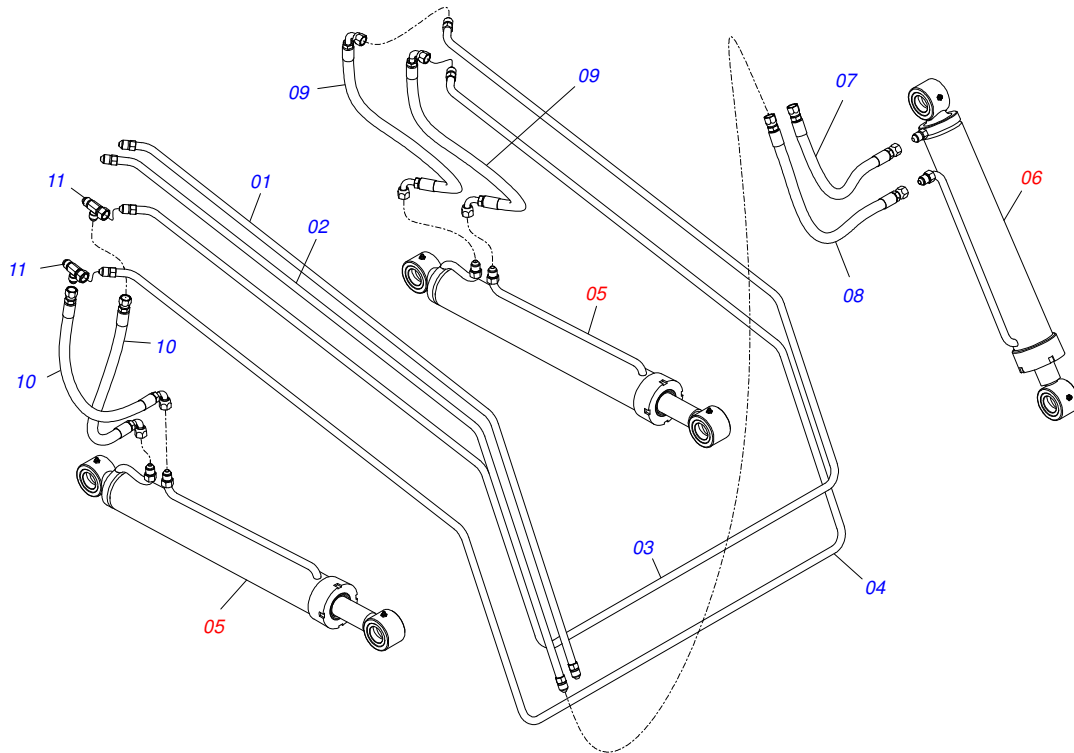
Item	Code	Description	See page	QT
01	0521064253	RIGHT FRAME PCA 600 NHTL85E S713		01
02	0521064252	LEFT FRAME PCA600 NHTL85E S713		01
03	0501069121	RH FRAME BRACKET		01
04	0501069122	LH FRAME BRACKET		01
05	0501042819	1.1/4"NC X 33.46" ROD FULL		01
05A	0501018845	1.1/4" X 33.46" ROD		01
05B	0501810087	NUT - 1.1/4 UNC 7FPP (SEXT.2) SA		04
06	0521061682	AXLE FIXER		02
07	0503030012	HAIR PIN		02
08	0571014582	SPACER PCA/PD NHTL85E		02
09	0503010023	SPRING WASHER		06
10	0503013111	M20 X 2,5 X 65 BOLT		06
11	0571014616	BEATER PCA/PD NHTL85E S0713		02
12	0501010500	3/4"X3"BOLT		04
13	0501010322	FLAT WASHER		08
14	0503010023	SPRING WASHER		04
15	0503010014	3/4" NUT		04
16	0503812693	M16 X 2 X 75 C S BOLT 8.8 SA		04
17	0503010023	SPRING WASHER		08
18	0503013366	M20 X 2,5 X 110 BOLT		04
19	0521065454	FASTENER ASSY PCA NH TL 75/85/95E		01
20	0503010025	3/8 SPRING WASHER		02
21	0503011334	3/8" X 3/4" BOLT		02
22	0503062302	EXTENSION		01
23	0503810363	SCREW 5/16		02
24	0503010179	SPRING WASHER		02
25	0503810337	5/16" NUT SA		02
26	0501068213	5/8" WRENCH DOUBLE		01
27	0521064354	MOBILE TOWER RIGHT - PCA NH TL85E/CASE80		01
28	0521064355	MOBILE TOWER LEFT - PCA NH TL85E/CASE80		01
29	0511019519	1.5" X 1.4" PIVOT SHAFT		02



Item	Code	Description	See page	QT
30	0511019685	FLAT WASHER		04
31	0503010534	3/8 X 2-1/2 COTTERPIN		04
32	0503010002	1800 GREASE FITTING		02
33	0511019520	1.5" X 1.4" PIVOT SHAFT		02

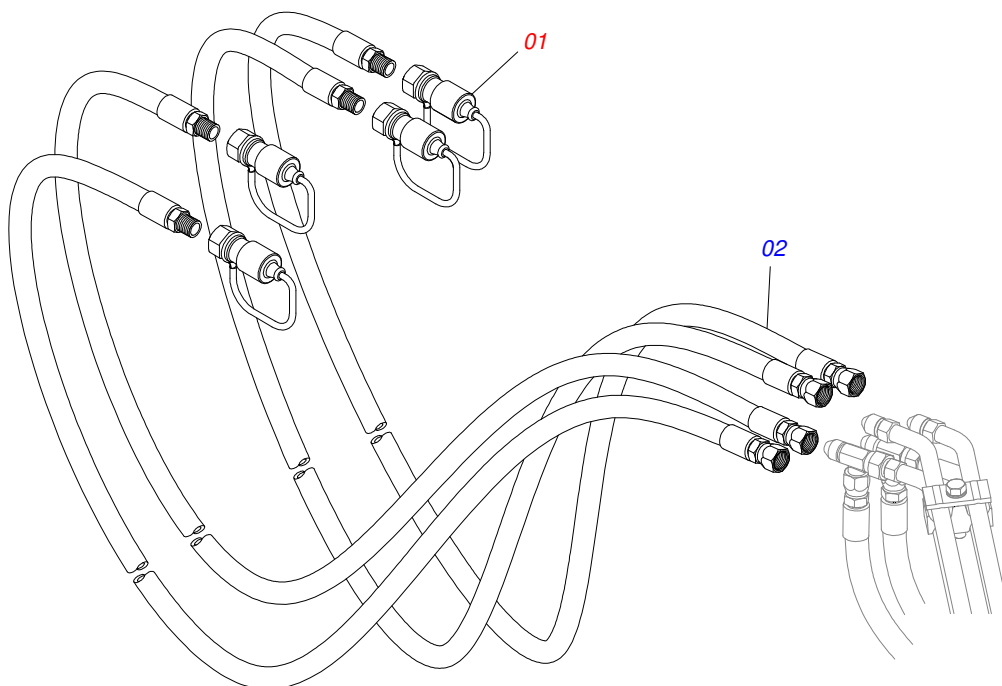


Item	Code	Description	See page	QT
01	0501069933	MOBILE SUPPORT PCA 600 AX 5.80		01
02	0521010904	1.5" X 1.4" PIVOT SHAFT		02
03	0511019685	FLAT WASHER		04
04	0503010534	3/8 X 2-1/2 COTTERPIN		10
05	0511013598	3/4" X 4.7" COUPLING SHAFT		02
06	0511019519	1.5" X 1.4" PIVOT SHAFT		02
07	0501012916	FLAT WASHER 38,50 X 66 X 4,75 ZN		02
08	0503010002	1800 GREASE FITTING		04
09	0511019521	1.5" X 1.4" PIVOT SHAFT		02
10	0501069934	ARTÍCULOS SOPORTE PCA 600 AX 5.80-4		01
11	0501110253	BUSHING 37,70 X 55 X 70 PCA		04
12	0503010071	3/16" X 1" COTTERPIN		04
13	0521012823	COUPLING SHAFT		02
14	0502012702	BODY SUPPORT CLAMP		03
15	0531011180	UPPER BODY CLIP		05
16	0503010180	7/16" SPRING WASHER		05
17	0503012555	7/16" X 2" BOLT		03
18	0503011102	PARAFUSO 7/16 UNC X 1.1/4 C S G.5		03
19	0561016401	PLOUGH SUPPORT BODY		02
20	0561016619	COMPLEMENTON REST		02
21	0561016329	LATCH HOLDER REST PCA		04
22	0511017302	FLAT WASHER		10
23	0503014378	1/2" X 1-1/2" BOLT		02
24	0511019634	CONTROL LOCK		02
26	0503010071	3/16" X 1" COTTERPIN		04

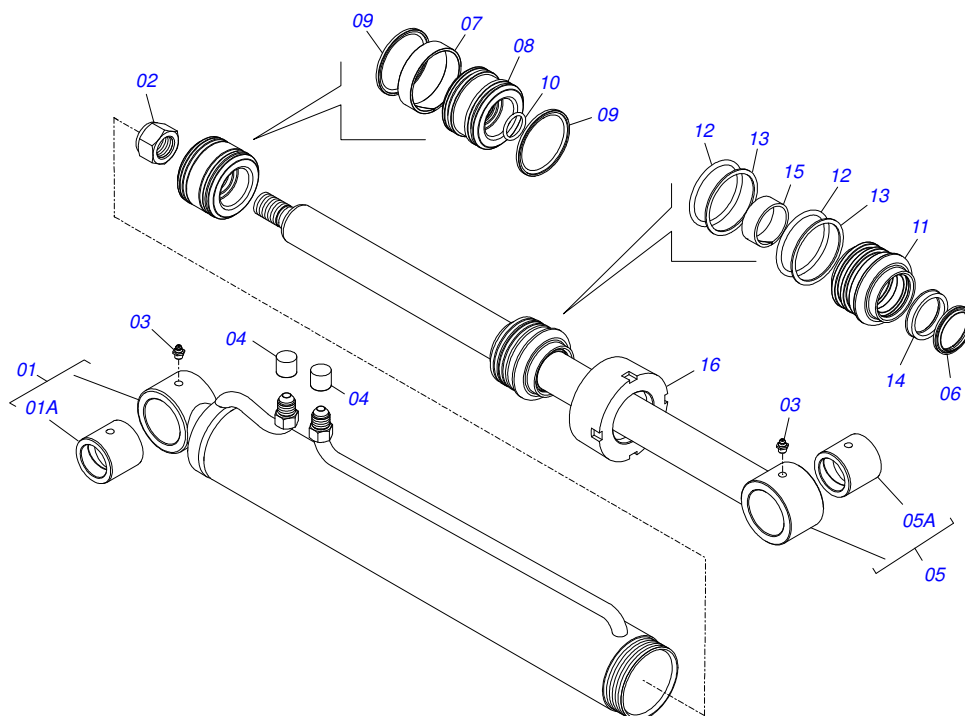


Item	Code	Description	See page	QT
01	0501068615	OIL TUBE ASSY		01
02	0521062856	INTERNAL LOWER OIL DISTRIBUTOR		01
03	0511060287	INNER OIL TUBE PCA AX 5.80-4		01
04	0511060288	OUTER OIL TUBE PCA AX 5.80-4		01
05	0511057917	HYDRAULIC CILINDER	6	02
06	0511057887	HYDRAULIC CYLINDER	7	01
07	0501080635	3/8" X 19" TR-TR HOSE		01
08	0501080709	3/8" X 21.6" TR-TR HOSE		01
09	0501080688	3/8" X 25" TC-TC 90G HOSE		02
10	0501080599	3/8 X 650 TC-TR HOSE		02
11	0503011968	T ADAPTOR WITH GIRAT		02

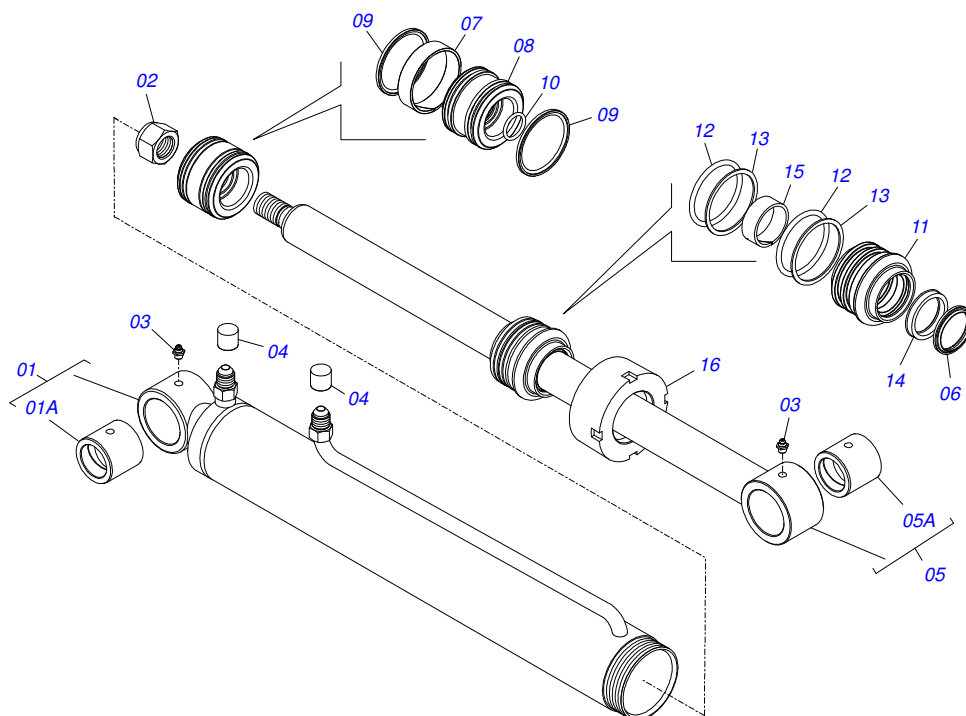




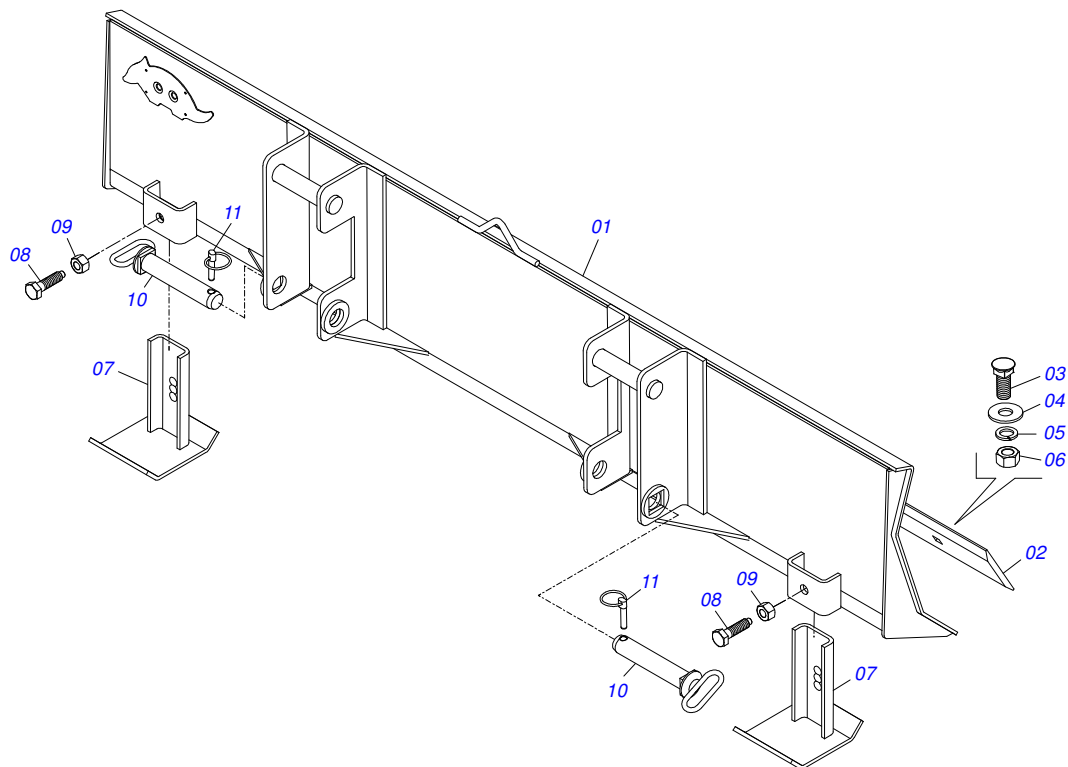
Item	Code	Description	See page	QT
01	0501053834	MALE QUICK COUPLING AGRICULTURAL WITH 9 COVER - 1/2 NPT	9	04
02	0501081124	HOSE 3/8" X 4200-TM TR		04



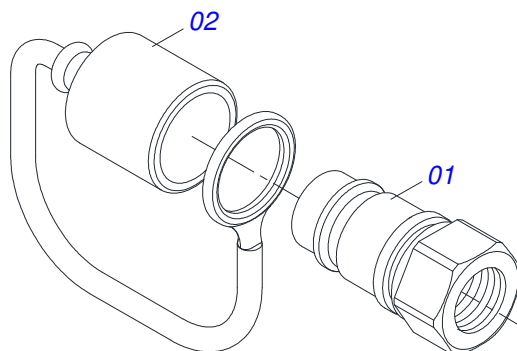
Item	Code	Description	See page	QT
01	0521064582	Ø76,20 X 630 CYLINDER CASE		01
01A	0521010514	38,1 X 52,9 X 50 SLEEVE INTER		01
02	0503010063	1" SELF-ALIGNING NUT		01
03	0503010002	1800 GREASE FITTING		02
04	0503030385	CYLINDER PLUG N-002		02
05	0521066424	AIR TURNBUCKLE		01
05A	0501110275	BUSHING COUPLING 75 X 38,1 X 50		01
06	0503010761	D-1750 SCRAPER RING		01
07	0503018140	RING GUIDE		01
08	0581010304	PISTON		01
09	0503018138	RING BS		02
10	0503010042	2-214 N 3006-9B O'RING		01
11	0581010301	RING SUPPORT		01
12	0503010343	2-334 N 3006-9B O'RING		02
13	0503011059	8-334 BACK-UP RING		02
14	0503017937	GASKET		01
15	0503017938	RING GUIDE		01
16	0502011899	MOBILE COVER		01



Item	Code	Description	See page	QT
01	0511063212	3" X 23" CYLINDER CASE		01
01A	0521010514	38,1 X 52,9 X 50 SLEEVE INTER		01
02	0503010063	1" SELF-ALIGNING NUT		01
03	0503010002	1800 GREASE FITTING		02
04	0503030385	CYLINDER PLUG N-002		02
05	0521066425	TURNBUCKLE - 44,45 X 605 PCA 600		01
05A	0501110275	BUSHING COUPLING 75 X 38,1 X 50		01
06	0503010761	D-1750 SCRAPER RING		01
07	0503018140	RING GUIDE		01
08	0581010304	PISTON		01
09	0503018138	RING BS		02
10	0503010042	2-214 N 3006-9B O'RING		01
11	0581010301	RING SUPPORT		01
12	0503010343	2-334 N 3006-9B O'RING		02
13	0503011059	8-334 BACK-UP RING		02
14	0503017937	GASKET		01
15	0503017938	RING GUIDE		01
16	0502011899	MOBILE COVER		01



Item	Code	Description	See page	QT
01	0511064165	BLADE FRONT	01	01
02	0531019518	SCRAPER 2220 X 6 X 1/2	01	01
03	0501812239	5/8 UNC X 1.3/4 - SPECIAL BOLT	07	07
04	0571810265	FLAT WASHER	07	07
05	0503011445	SPRING WASHER	07	07
06	0503810013	NUT 5/8 NC	07	07
07	0511064780	SHOE SLIDE LIGHT STABILIZING	02	02
08	0501018246	3/4" X 3" BOLT	02	02
09	0503010014	3/4" NUT	02	02
10	0521063680	HITCH PIN (185) SAB PCA800	02	02
11	0503030430	7/16 X 2" PIN LOCK	02	02



Item	Code	Description	See page	QT
01	0503011627	QUICK CONNECTION (MALE) AGR 1/2 NPT		01
02	0503011882	QUICK CONNECTION COVER		01





**MARCHESAN IMPLEMENTOS E MÁQUINAS AGRÍCOLAS TATU S.A.**  
AV. Marchesan, 1979 - Post office box, 131 - CEP 15994-900 - Matão - SP - Brazil  
Phone +55 16.3382-8282  
(FAX Parts) + 55 16.3382. 8297 - (Export) + 55 16.3382.1003  
e.mail: [tatu@marchesan.com.br](mailto:tatu@marchesan.com.br)    [www.marchesan.com.br](http://www.marchesan.com.br)

**Technical Publications: Elaboration**

JOSÉ DOMINGOS GASPARI

**Technical Publications: Revision**

JOSÉ DOMINGOS GASPARI

*Contact Catálogo:*

*E-mail = [jgaspari@marchesan.com.br](mailto:jgaspari@marchesan.com.br)*

**ORIGINAL PARTS  
TATU**

