

PARTS CATALOGUE



HINGE TYPE OFFSET DISK HARROW

Code:

0501091843

Product:

GNCR 28/36/40/44/52D - (AXIS 1.1/2")



Series:

S-0794

Revision:

00

Date Revision:

JULHO/2018



PRODUCTS

Code	Description
0102300198	GNCR 28 X 24 X 4,75DR 4E1.1/2 S0794
0102300170	GNCR 36 X 22 X 4,50 DM 4E1.1/2 S794
0102300168	GNCR 40 X 22 X 4,5 MT 4E1.1/2 S794
0102300218C	GNCR 40 X 24 X 4,75 DR 4E1.1/2 S/PN EXP S-0794
0102300227C	GNCR 40 X 24 X 4,75 MT 4E1.1/2 S/PN EXP S-0794
0102300227	GNCR 40 X 24 X 4,75 MT 4E1.1/2 S/PN S-0794
0102300197	GNCR 40 X 24 X 4,75DR 4E1.1/2 S0794
0102300199	GNCR 40X22X4,5DMDL E1.1/2 S/PN S794
0102300200	GNCR 40X22X4,5DMDL E1.1/2ETS/PNS794
0102300152	GNCR 40X24X4,75 DR E1.1/2 PN11 S794
0102300070	GNCR 44 X 22 X 4,50 EIXO 1.1/2 S794
0102300182	GNCR 44 X 24 X 4,75 DM DR 4EIX S794
0102300071	GNCR 48 X 22 X 4,50 DM 4EIXOS S-794
0102300108	GNCR 48 X 22 X 4,50 DM E1.1/2 S-794
0102300141	GNCR 48 X 24 X 4,75 DM E1.1/2 S-794
0102300211	GNCR 49X24X4,75 DMDR ESPECIAL S-794
0102300076	GNCR 52 X 22 X 4,5DM 4 EIXOS 1.1/2
0102300142	GNCR 52 X 24 X 4,75 DM E1.1/2 S0794
0102300160	GNCR 52X24X4,75 DM EI.1.1/2 PN11L15
0102300213	GNCR 52X24X4,75DM P11L15 4 EI.1.1/2

ATTENTION: IMPORTANT

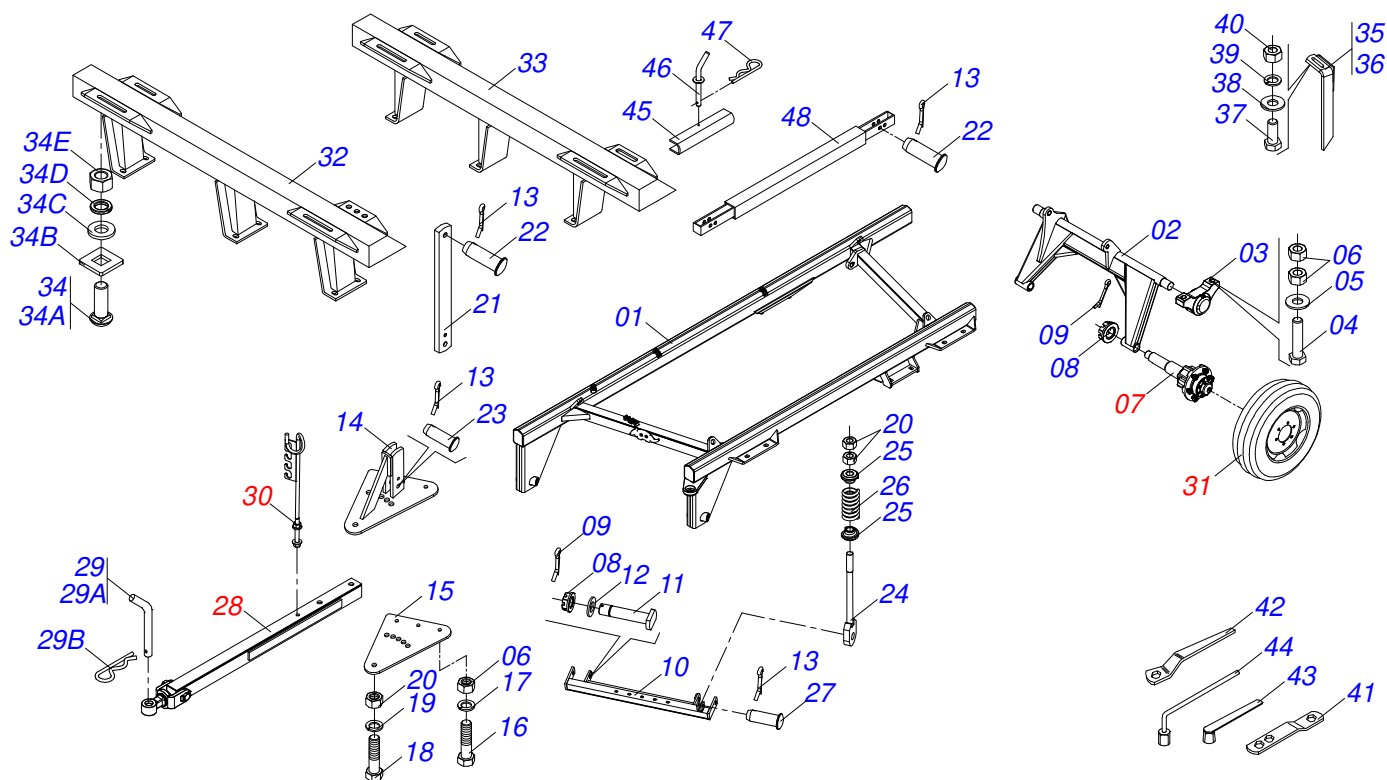
Marchesan S.A. reserves the right to improve and / or modify the technical features of its products, without obligation to do the same with those products already sold and without prior knowledge of the dealer or the consumer.



MARCHESAN

INDEX

0909094285	28/36/40/44/52D - FRAME ASSY	1
0501051634	TSTUB SHAFT & HUB ASSY	2
0501051142	CARRYING WHEEL HUB	3
0501041096	DRAWBAR ASSY	4
0501040257	3/4 X 1200 HOSE HOLDER A	5
0503060091	L29.5"X0.63"-10L WHEEL AND	6
0909094287	28/36/40/44/52D - CIRCUIT HYDRAULIQUE	7
0511059180	HYDRAULIC CYLINDER	8
0501053834	MALE QUICK COUPLER WITH CAP - 1/2 NPT	9
0909094286	28D - FRONT AND REAR DISC SECTION	10
0909094288	36D - FRONT AND REAR DISC SECTION	11
0909092480	40D - FRONT AND REAR DISC SECTION	12
0909092481	44D - FRONT AND REAR DISC SECTION	13
0909094289	52D - FRONT AND REAR DISC SECTION	14
0501047055	BEARING	15
0511041365	BEARING	16
0501043028	BEARING ASSY	17



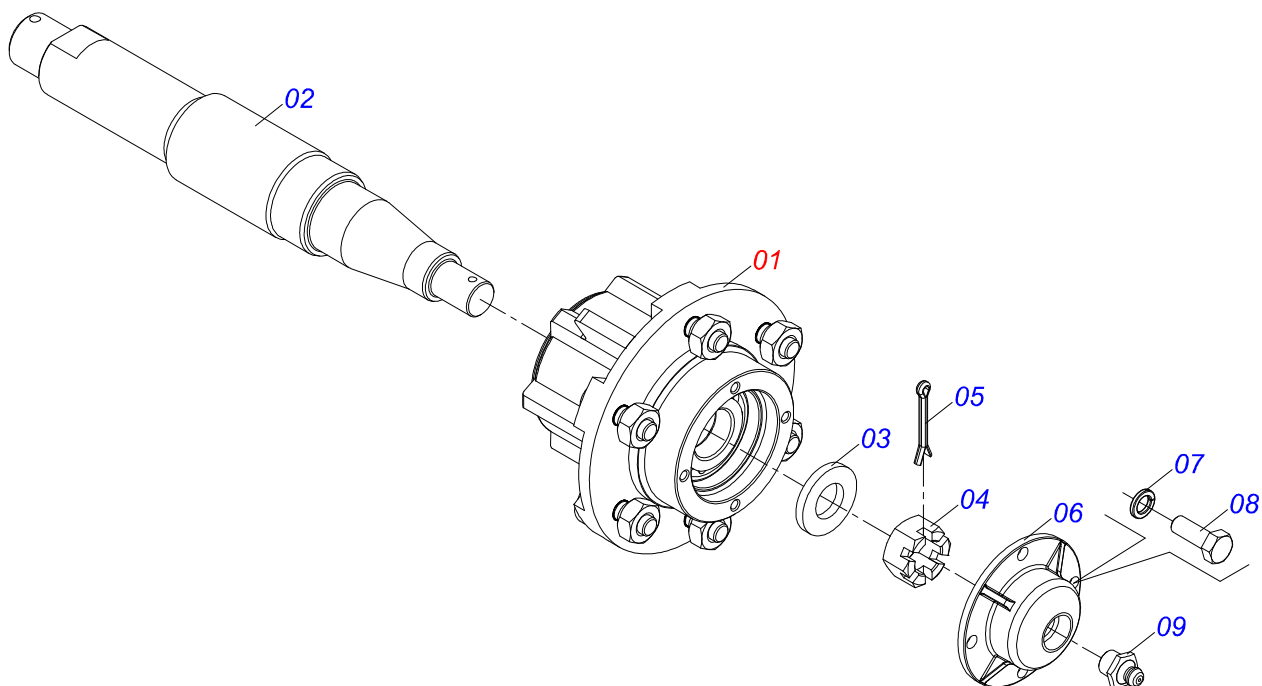
Item	Code	Description	See page	28	36	40	44	52
01	0521062511	FRAME GNCR 28 A 56		01	01	01	01	01
02	0501065518	CARRYING-WHEELS		01	01	01	01	01
03	0501110856	ARTICULACION BEARING		02	02	02	02	02
04	0503010797	3/4" X 4" BOLT		04	04	04	04	04
05	0501010322	FLAT WASHER		04	04	04	04	04
06	0503010014	3/4" NUT		13	13	13	13	13
07	0501051634	TSTUB SHAFT & HUB ASSY	2	02	02	02	02	02
08	0501011301	1.1/2 UNC 6FPP 2.5/16 NUT		02	02	02	02	02
09	0503010010	1/4" X 2.1/2" COTTERPIN		04	04	04	04	04
10	0521062507	HITCH BAR		01	01	01	01	01
11	0531019497	1.5" X 9.2" ARTICULATED AXIS		02	02	02	02	02
12	0551012215	FLAT WASHER		02	02	02	02	02
13	0503010571	1/4" X 1.1/2 COTTERPIN		04	04	04	04	04
14	0501066099	UPPER PLATE WITH SUPPORT		01	01	01	01	01
15	0501010241	UPPER /LOWER PLATE		01	01	01	01	01
16	0503011198	C3/4" X 6" SCREW		03	03	03	03	03
17	0503011442	3/4" SPRING WASHER		04	04	04	04	04
18	0501010060	1" X 6-1/2" BOLT		02	02	02	02	02
19	0503011438	SPRING WASHER		02	02	02	02	02
20	0501010059	1.5/8 NUT		11	11	11	11	11
21	0561019346	STABILIZER BAR TOWER		01	01	01	01	01
22	0521010575	C0.9" X 3.3" COUPLING SHAFT		03	03	03	03	03
23	0521810576	COUPLING SHAFT		01	01	01	01	01
24	0501064698	SPRING ROD		01	01	01	01	01
25	0502020392	SPRING SUPPORT		02	02	02	02	02
26	0503030441	12.7" X 5.7" X 0.5"SPRING		01	01	01	01	01
27	0521010592	1.1" X 3.1" COUPLING SHAFT		01	01	01	01	01
28	0501041096	DRAWBAR ASSY	4	01	01	01	01	01
29	0501040343	DRAWBOLT ASSY		01	01	01	01	01
29A	0521010453	AXI SHAFT		01	01	01	01	01
29B	0503031035	HAIR PIN		01	01	01	01	01



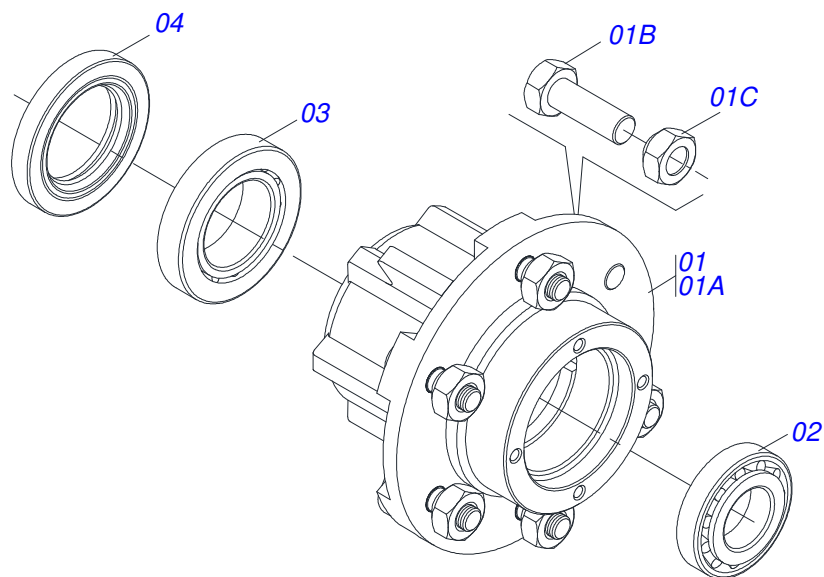
28/36/40/44/52D - FRAME ASSY

0909094285

Item	Code	Description	See page	28	36	40	44	52
30	0501040257	3/4 X 1200 HOSE HOLDER A	5	01	01	01	01	01
31	0503060091	L29.5"X0.63"-10L WHEEL AND	6	02	02	02	02	02
31.	0503060181	WHEEL AND TIRE		02	02	02	02	02
32	0501068223	FRONT FRAME		01	00	00	00	00
32.	0501065553	FRONT FRAME		00	01	00	00	00
32..	0501065554	FRONTFRAME		00	00	01	00	00
32...	0501066728	164.9" FRONT FRAME		00	00	00	01	00
32....	0501067260	196.16" FRONT FRAME		00	00	00	00	01
33	0501068224	REAR FRAME		01	00	00	00	00
33.	0501065558	REAR FRAME		00	01	00	00	00
33..	0501065559	REAR FRAME		00	00	01	00	00
33...	0501066729	165" REAR FRAME		00	00	00	01	00
33....	0501067261	196" REAR FRAME		00	00	00	00	01
34	0501040877	C1" X 3-1/4" ASSY BOLT		08	08	08	08	08
34A	0501010171	PARAFUSO 1 UNC X 3.1/2 C S G.5		08	08	08	08	08
34B	0502012861	1" SQUARE WASHER		08	08	08	08	08
34C	0501010065	1" SPRING WASHER		08	08	08	08	08
34D	0503010012	1" SPRING WASHER		08	08	08	08	08
34E	0501010059	1.5/8 NUT		08	08	08	08	08
35	0501063963	FRONT SCRAPER		09	11	13	13	17
36	0501063962	REAR SCRAPER		09	11	13	13	17
37	0503011082	C1/2" X 1.3/4" SCREW		36	52	60	68	68
38	0511017302	FLAT WASHER		36	52	60	68	68
39	0503010019	1/2" SPRING WASHER		36	52	60	68	68
40	0503010060	1/2" NUT		36	52	60	68	68
41	0511018451	5/8" X 3/4" X 1" UNIVERSAL		01	01	01	01	01
42	0501010198	1-1/4" CABLE FLAT WRENCH		02	02	02	02	02
43	0501061617	1" GANG BOLT WRENCH		01	01	01	01	01
44	0501068273	5/8" WRENCH		01	01	01	01	01
45	0511010839	TRANSPORT LOCK 7.9" X 2.1" X 0.4"		01	01	01	01	01
46	0501068994	0.3" X 3.1"LOCK PIN		01	01	01	01	01
47	0503030168	HAIR PIN		01	01	01	01	01
48	0501064696	STABILIZER BAR		01	01	01	01	01

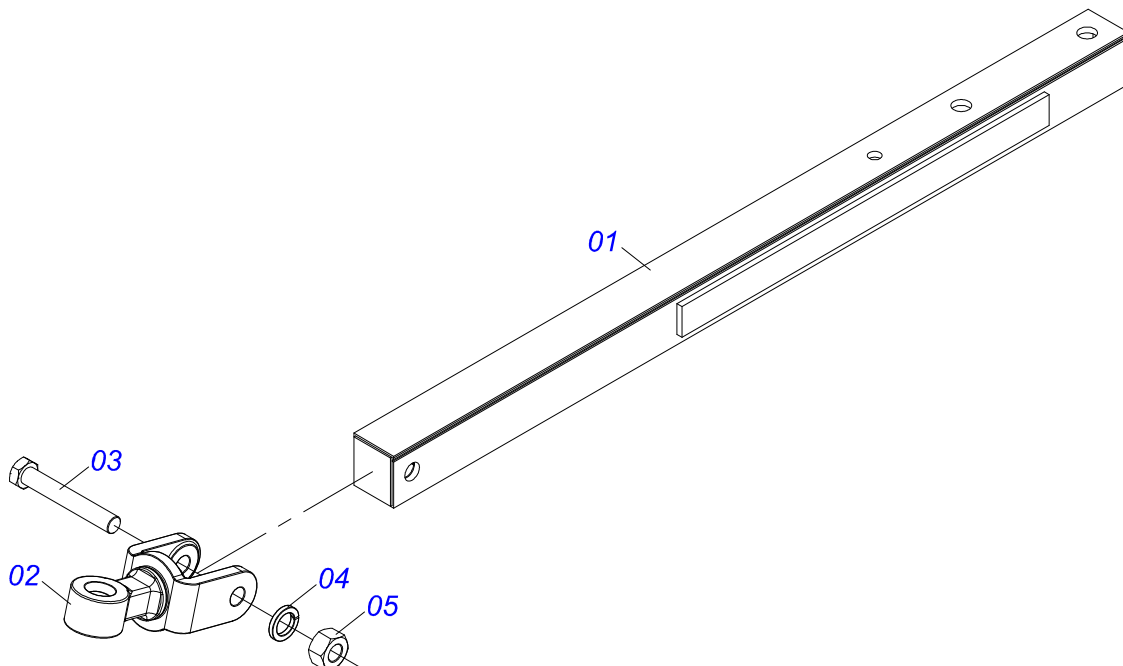


Item	Code	Description	See page	QT
01	0501051142	CARRYING WHEEL HUB	3	01
02	0521010821	2.5" X 16.5" AXLE		01
03	0501016545	FLAT WASHER		01
04	0503030009	1" CASTLE NUT		01
05	0503010018	5/32 X 1-1/2 COTTERPIN		01
06	0502020591	PROTECCION COVER		01
07	0503011444	SPRING WASHER		04
08	0503010358	5/16" X 5/8" BOLT		04
09	0503010002	1800 GREASE FITTING		01

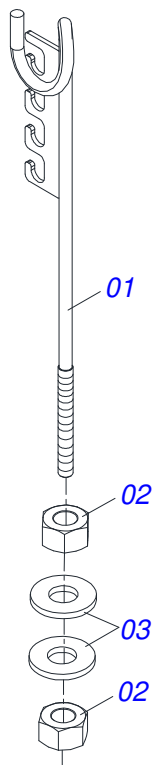


Item	Code	Description	See page	QT
01	0501110728	WHEEL HUB		01
01A	0502011121	CARRYING WHEEL HUB		01
01B	0501010127	9/16" X 1-7/8" LUG BOLT		06
01C	0503010035	9/16" CONIC NUT		06
02	0503010037	30207 ROLLER BEARING		01
03	0503010006	32210 ROLLER BEARING		01
04	0503012928	SEAL		01

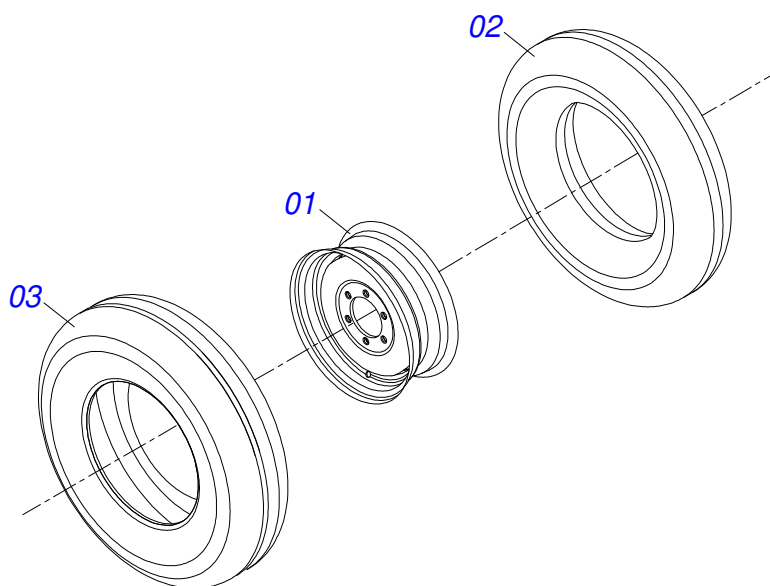
DRAWBAR ASSY



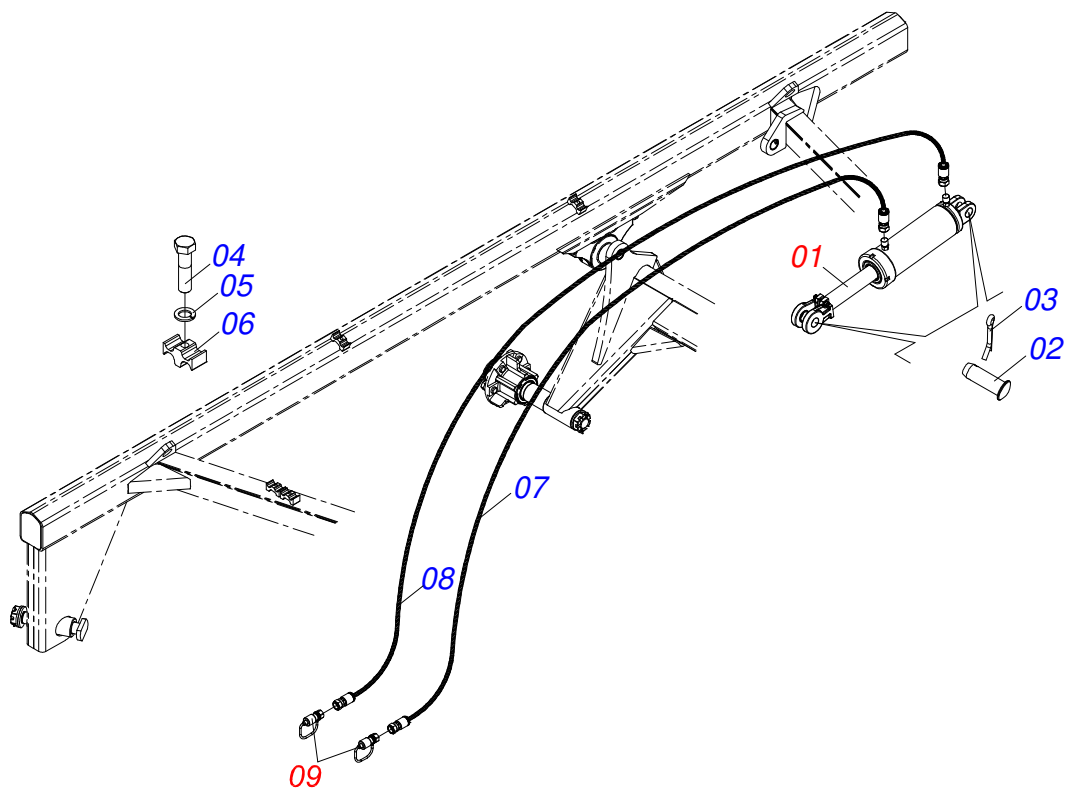
Item	Code	Description	See page	QT
01	0501060188	DRAWBAR ASSY		01
02	0521061775	TRACTOR HITCH		01
03	0501010060	1" X 6-1/2" BOLT		01
04	0503011438	SPRING WASHER		01
05	0501010059	1.5/8 NUT		01



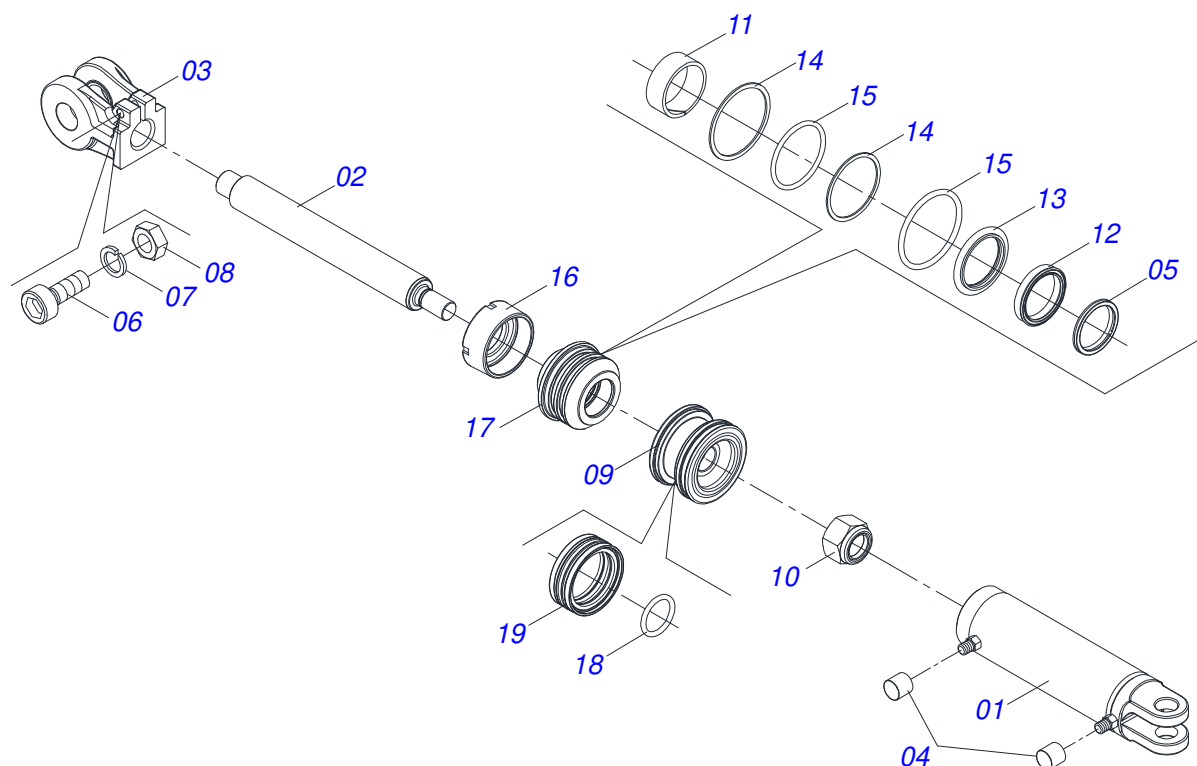
Item	Code	Description	See page	QT
01	0511067334	HOSE SOPPORT ASSY		01
02	0503010014	3/4" NUT		02
03	0501010322	FLAT WASHER		02



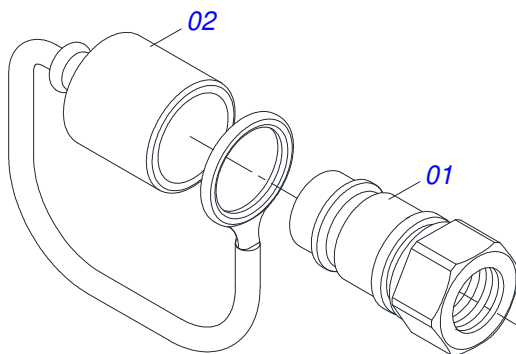
Item	Code	Description	See page	QT
01	0503010893	WHEEL		01
02	0503010033	7.50 X 16 INNER TIRE		01
03	0503010120	CANVAS TIRE		01



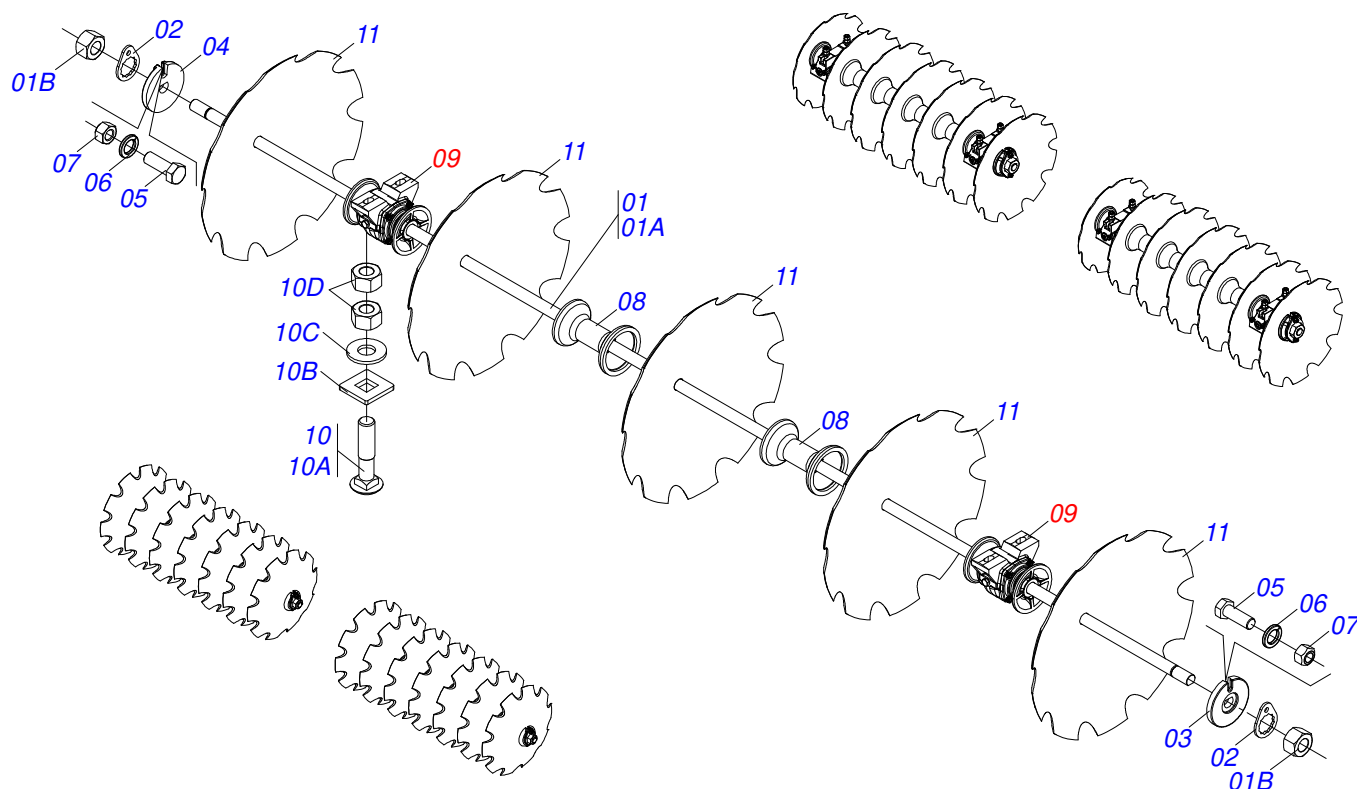
Item	Code	Description	See page	QT
01	0511059180	HYDRAULIC CYLINDER	8	01
02	0521012538	1.2" X 3.5" COUPLING SHAFT		02
03	0503010571	1/4" X 1.1/2 COTTERPIN		02
04	0503012555	SCREW 7/16 UNC X 2 CS RT G.7 ZN		04
05	0503010180	7/16" SPRING WASHER		04
06	0502012702	BODY SUPPORT CLAMP		04
07	0501080421	3/8" X 230" TR-TM HOSE ASS		01
08	0501080443	3/8" X 236" TR-TM HOSE		01
09	0501053834	MALE QUICK COUPLER WITH CAP - 1/2 NPT	9	02



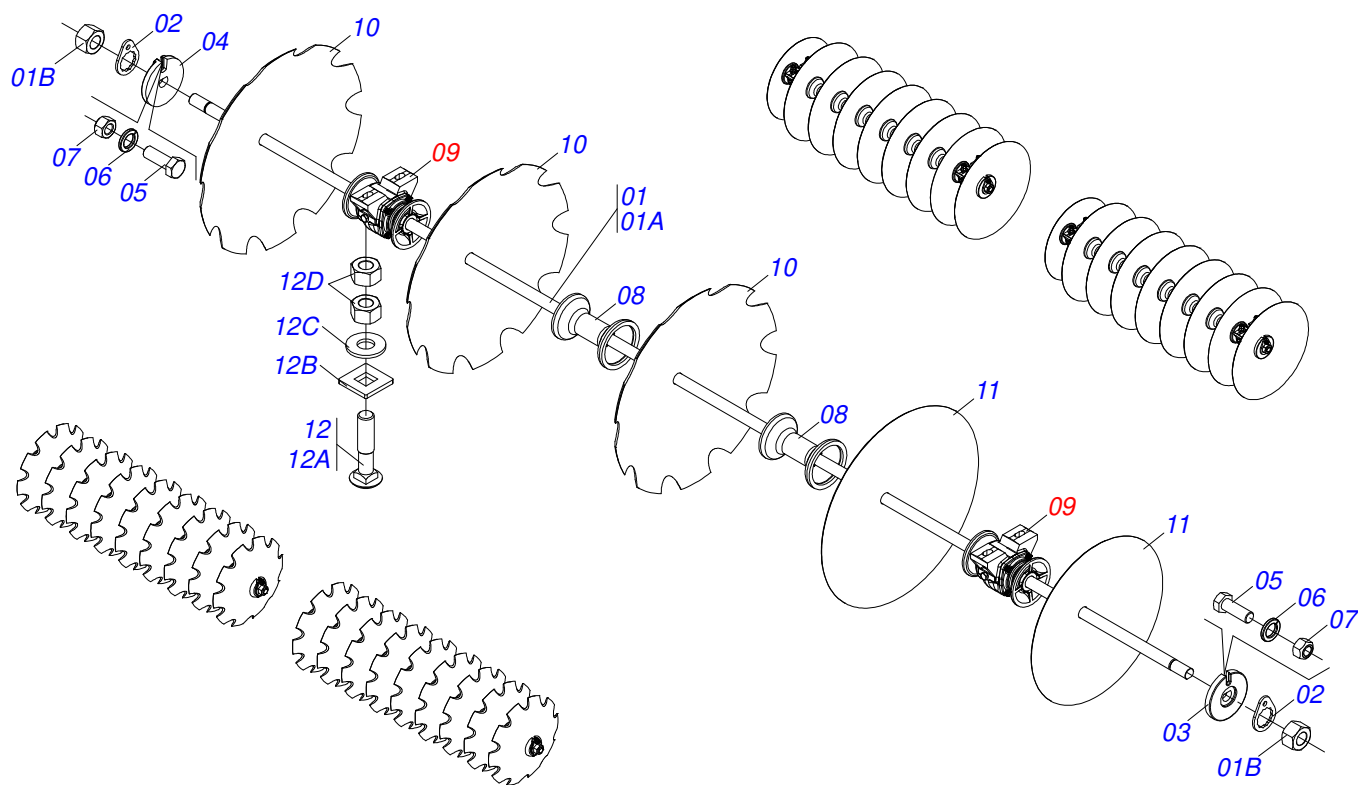
Item	Code	Description	See page	QT
001	0511070658	CYLINDER CASE		01
002	0571019958	HYDRAULIC CYLINDER TURNBUCKLE		01
003	0502040747	32.54 CLEVIS CLAMP		01
004	0503030385	CYLINDER PLUG N-002		02
005	0503010039	D-2000 SCRAPER RING		01
006	0503011094	3/8" X 2" BOLT		01
007	0503011443	3/8" SPRING WASHER		01
008	0503010026	3/8" NUT		01
009	0502012820	50.80 X 101.60 PISTON		01
010	0503010817	1.1/4" SELF LOCKING NUT		01
011	0503018025	RING GUIDE		01
012	0503018026	1870-2000-375 B GASKET		01
013	0503018024	RING BS		01
014	0503010338	2-342 N 3006-9B O'RING		02
015	0503011061	8-342 BACK-UP RING		02
016	0502012822	101.60 END CAP		01
017	0502012821	50.80 X 101.60 RING SUPPORT		01
018	0503018029	2-217 O'RING		01
019	0503015633	SELEMASTER SEALING		01



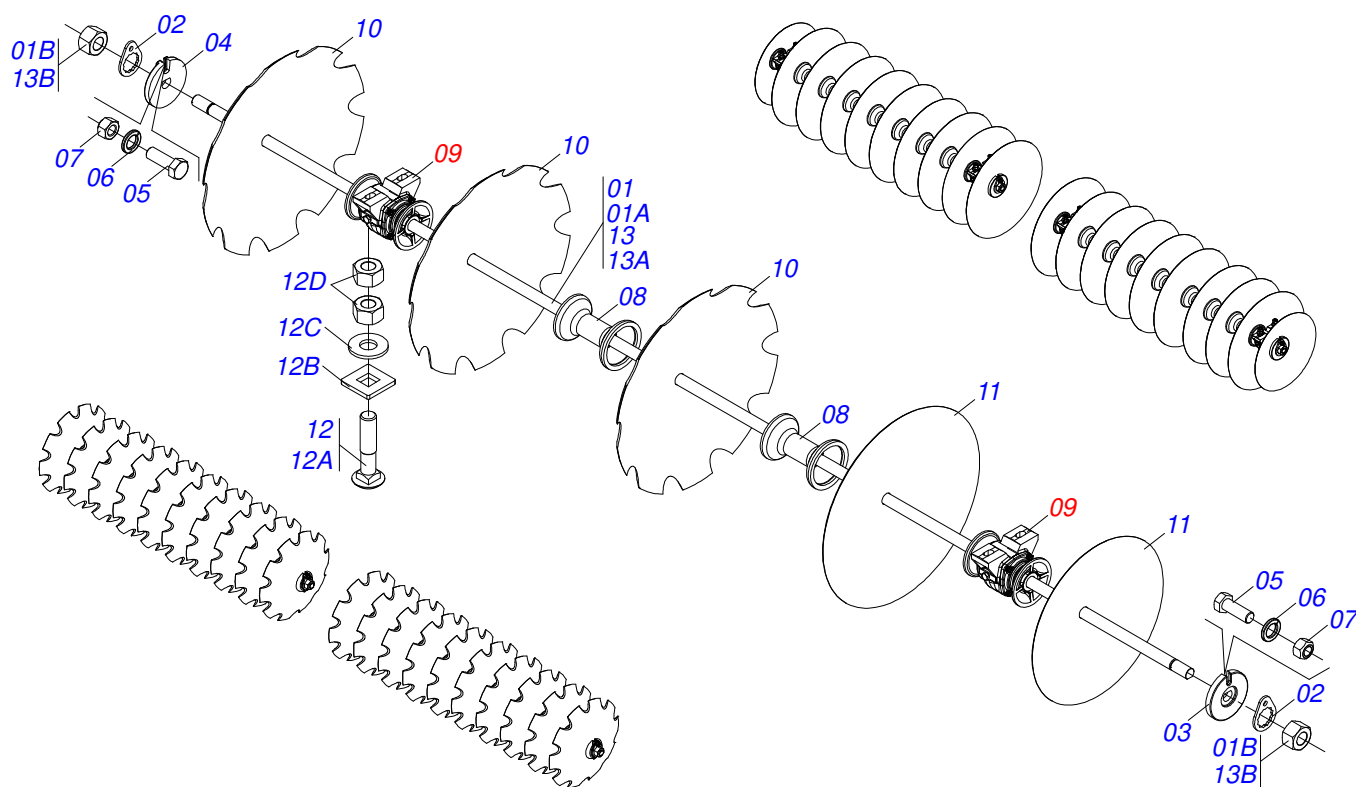
Item	Code	Description	See page	QT
01	0503011627	MALE QUICK COUPLER AGR 1/2 NPT		01
02	0503011882	MALE QUICK COUPLER CAP		01



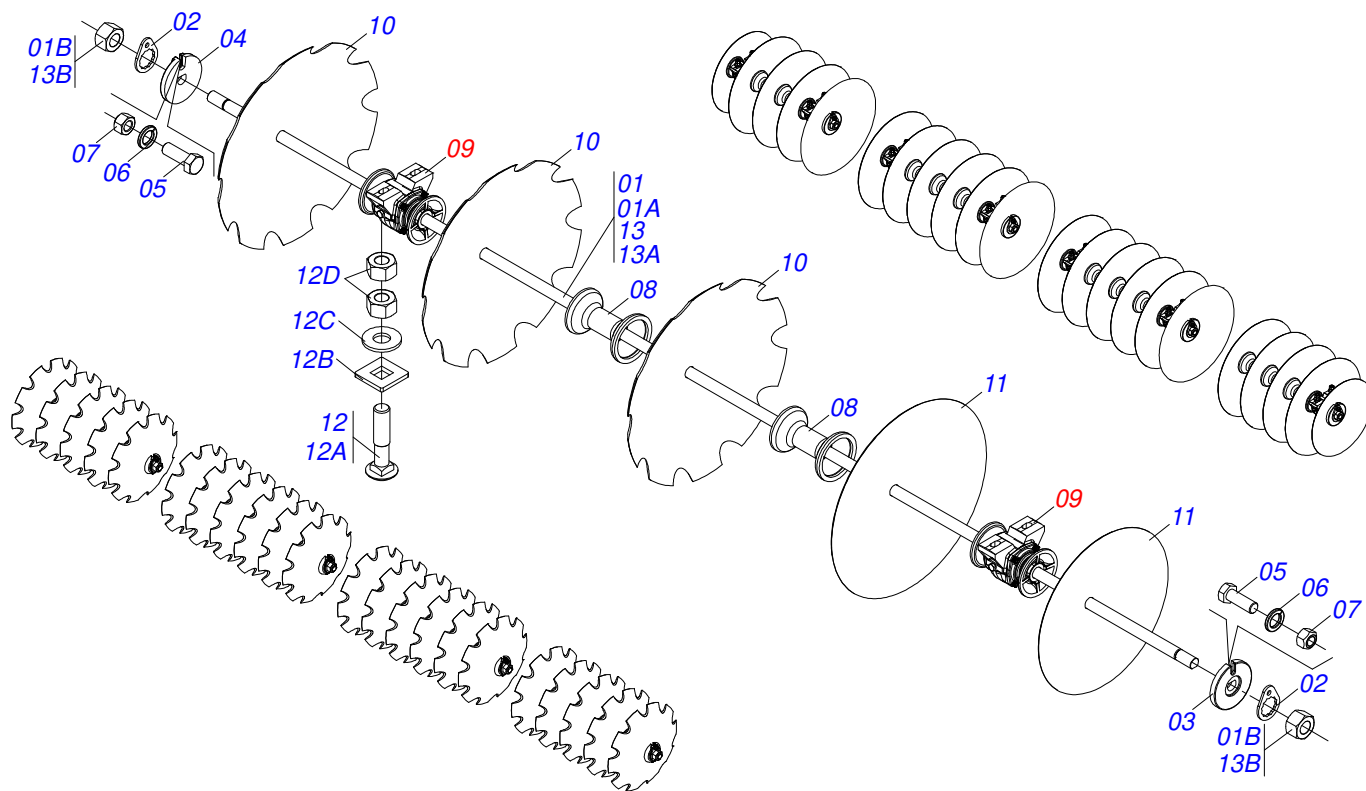
Item	Code	Description	See page	QT
01	0511043293	1.1/2 X AXLE W/NUT		04
01A	0541014457	1.1/2" 6FPP X 1285 AXLE		04
01B	0501010110	1.1/2" NUT		08
02	0501018592	1.5/8" NUT LOCK		08
03	0502010872	1-1/2" INNER AXLE WASHER		04
04	0502010871	1-1/2" EXTERNAL AXLE WASHER		04
05	0503011082	C1/2" X 1.3/4" SCREW		08
06	0503010019	1/2" SPRING WASHER		08
07	0503010060	1/2" NUT		08
08	0502010627	SPACER		16
09	0501047055	BEARING	15	08
10	0501058802	5/8 UNC X 2.3/4 BOLT ASSY		16
10A	0503015154	5/8" X 2.3/4" BOLT		16
10B	0501010947	5/8 NUT LOCK		16
10C	0501012140	FLAT WASHER		16
10D	0503010013	5/8" NUT		32
11	0602030446	24" X 4,75 NOTCHED DISC BLADE		26
11.	0602029388	22" X 4,75 NOTCHED DISC BLADE		02



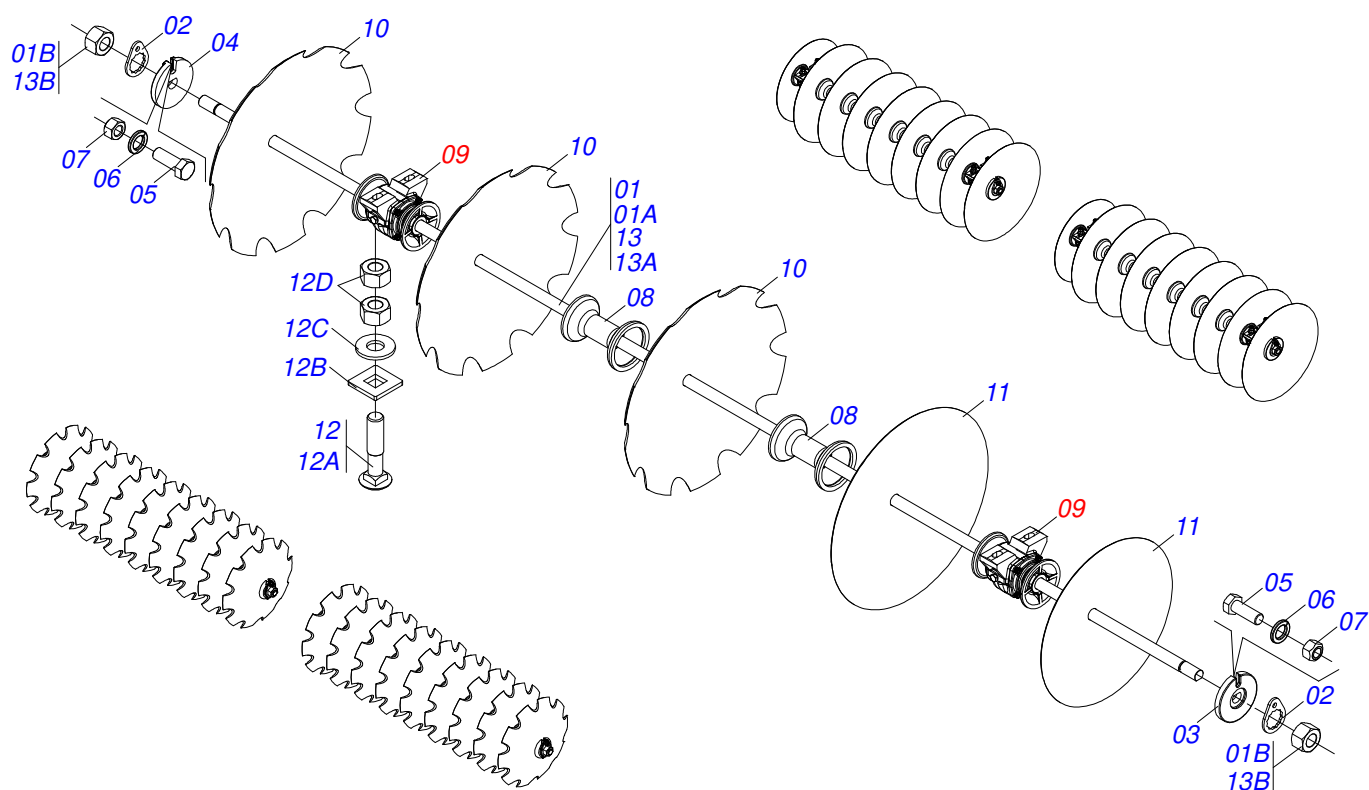
Item	Code	Description	See page	QT
01	0521045339	AXIS 1.1/2" 6 FPP X 1695 WITH NUTS		04
01A	0511012015	AXIS 1.1/2 6FPP X 1695		04
01B	0501010110	1.1/2" NUT		08
02	0501018592	1.5/8" NUT LOCK		08
03	0502010872	1-1/2" INNER AXLE WASHER		04
04	0502010871	1-1/2" EXTERNAL AXLE WASHER		04
05	0503011082	C1/2" X 1.3/4" SCREW		08
06	0503010019	1/2" SPRING WASHER		08
07	0503010060	1/2" NUT		08
08	0502010627	SPACER		20
09	0501047055	BEARING	15	12
10	0602029416	DR22X4,5 C64AF02FR1.9/16 10REC TATU		18
11	0601029414	DL22X4,5 C63AF02FR1.9/16 TATU		16
11.	0601027302	DL20X3,5 C57AF02FR1.9/16 TATU		02
12	0501058802	5/8 UNC X 2.3/4 BOLT ASSY		24
12A	0503015154	5/8" X 2.3/4" BOLT		24
12B	0501010947	5/8 NUT LOCK		24
12C	0501012140	FLAT WASHER		24
12D	0503010013	5/8" NUT		48



Item	Code	Description	See page	QT
01	0501047308	1.1/2 AXIS		04
01A	0511013216	1.1/2 AXIS		01
01B	0501010110	1.1/2" NUT		02
02	0511014339	1-5/8" 2.8" NUT LOCK		08
03	0502010872	1-1/2" INNER AXLE WASHER		04
04	0502010871	1-1/2" EXTERNAL AXLE WASHER		04
05	0503011082	C1/2" X 1.3/4" SCREW		08
06	0503010019	1/2" SPRING WASHER		08
07	0503010060	1/2" NUT		08
08	0502010627	SPACER		24
09	0511041365	BEARING	16	12
09.	0501047055	BEARING	15	12
09..	0501043028	BEARING ASSY	17	12
10	0602030446	24" X 4,75 NOTCHED DISC BLADE		38
10.	0602029416	DR22X4,5 C64AF02FR1.9/16 10REC TATU		18
10..	0602029388	22" X 4,75 NOTCHED DISC BLADE		02
10...	0602030413	DR24X4,75 C66AFPAFR1.9/16" D006 10R		38
11	0601027302	DL20X3,5 C57AF02FR1.9/16 TATU		02
11.	0601029413	DL22X4,5 C64AF02FR1.9/16 TATU		38
11..	0601031114	24" X 4,75 PLAIN DISC BLADE		18
12	0501048788	IMPLEMENT PARTS ASSY 5/8 UNC X 2.1/2 CA		24
12A	0501014177	5/8" X 2-1/2" BOLT		24
12B	0501010947	5/8 NUT LOCK		24
12C	0501012140	FLAT WASHER		24
12D	0503010013	5/8" NUT		48
13	0521045345	AXIS 1.1/2" 6FPP X 1880 WITH NUTS		04
13A	0511069822	1.1/2 UNC 6FPP X 1880 AXLE W/NUTS		04
13B	0501010110	1.1/2" NUT		08

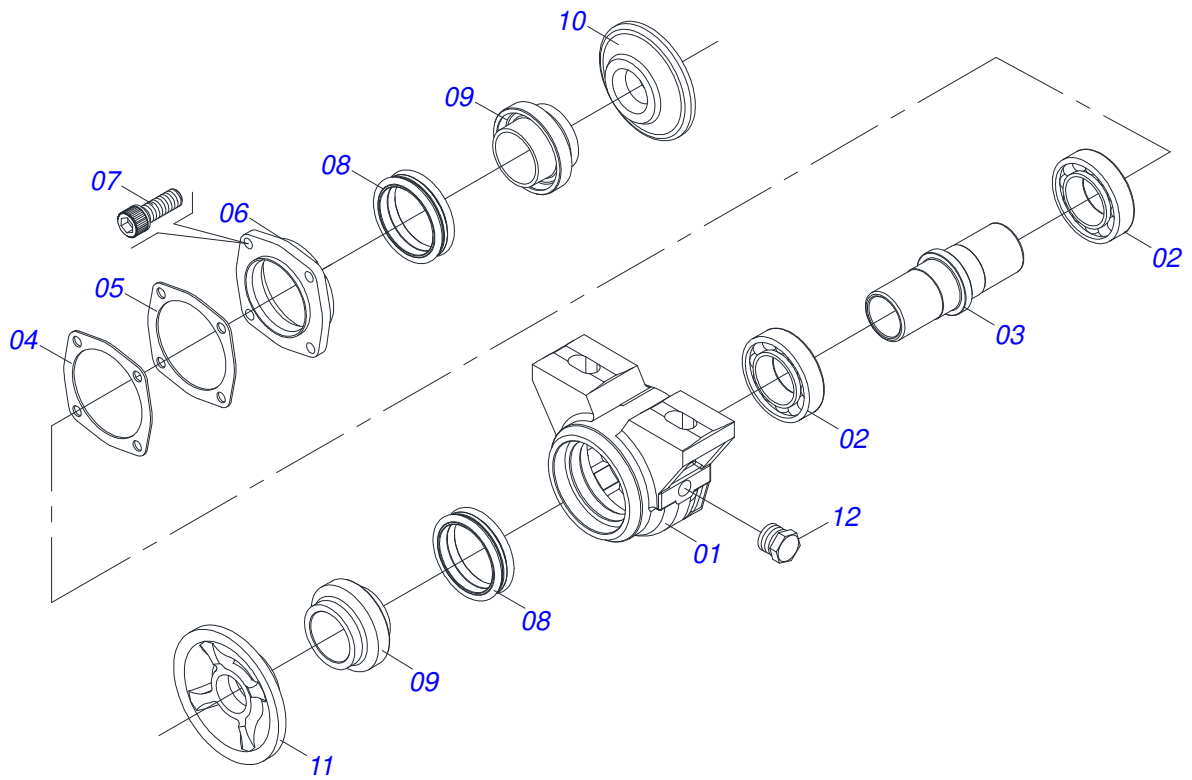


Item	Code	Description	See page	QT
01	0511049630	1.1/2 AXIS		04
01A	0561019198	1.1/2 AXIS		04
01B	0501010110	1.1/2" NUT		08
02	0501018592	1.5/8" NUT LOCK		08
03	0502010872	1-1/2" INNER AXLE WASHER		04
04	0502010871	1-1/2" EXTERNAL AXLE WASHER		04
05	0503011082	C1/2" X 1.3/4" SCREW		08
06	0503010019	1/2" SPRING WASHER		08
07	0503010060	1/2" NUT		08
08	0502010627	SPACER		28
09	0511041365	BEARING	16	12
09.	0501047055	BEARING	15	12
10	0602030446	24" X 4,75 NOTCHED DISC BLADE		42
10.	0602029416	DR22X4,5 C64AF02FR1.9/16 10REC TATU		22
10..	0602029396	22X4,75 NOTCHED DISC BLADE		02
11	0601029413	DL22X4,5 C64AF02FR1.9/16 TATU		20
11.	0601027299	DL20X4,5 C57AF02FR1.9/16 TATU		02
12	0501048788	IMPLEMENT PARTS ASSY 5/8 UNC X 2.1/2 CA		24
12A	0501014177	5/8" X 2-1/2" BOLT		24
12B	0501010947	5/8 NUT LOCK		24
12C	0501012140	FLAT WASHER		24
12D	0503010013	5/8" NUT		48
13	0501044126	AXIS 1.1/2" 6FPP X 915 WITH NUTS		04
13A	0511017087	AXIS 1.1/2 6FPP X 915		04
13B	0501010110	1.1/2" NUT		08



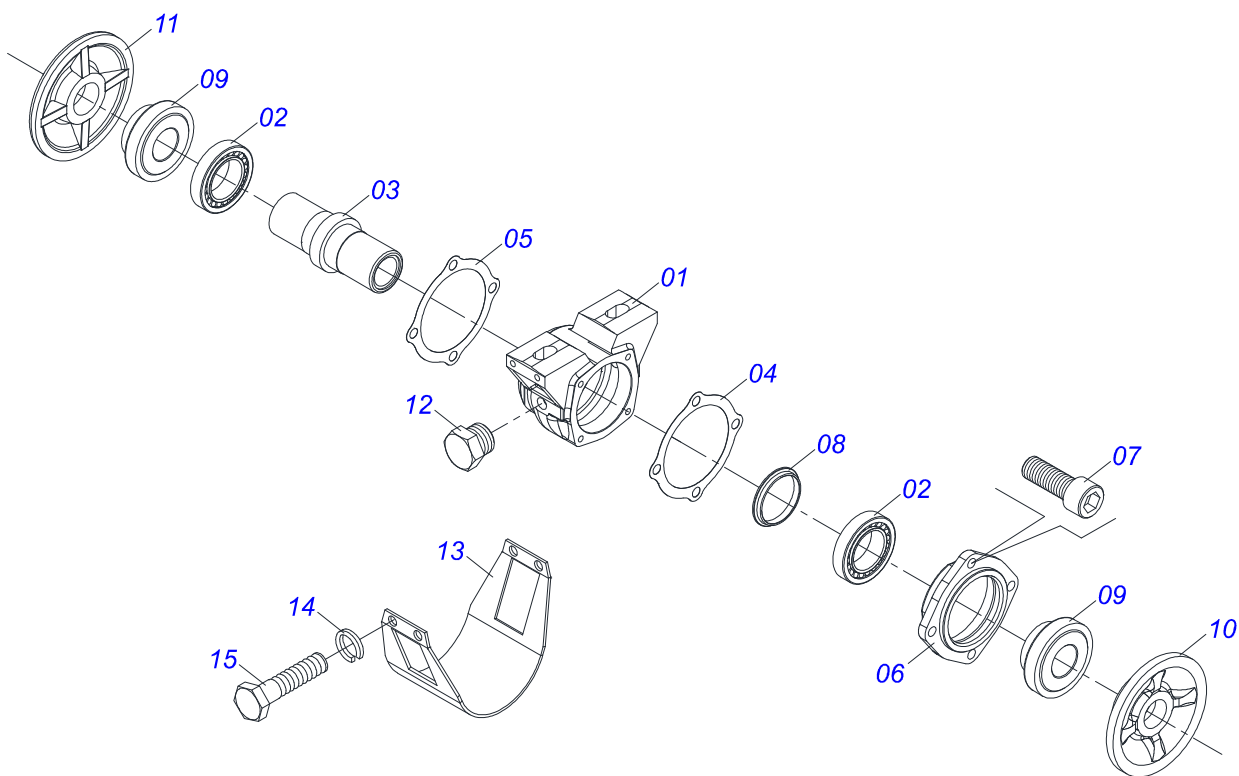
Item	Code	Description	See page	QT
01	0501043869	AXLE		04
01A	0511011894	AXLE		04
01B	0501010110	1.1/2" NUT		08
02	0521013301	LOCK NUT 1.1/2		16
03	0502010872	1-1/2" INNER AXLE WASHER		08
04	0502010871	1-1/2" EXTERNAL AXLE WASHER		08
05	0503011082	C1/2" X 1.3/4" SCREW		16
06	0503010019	1/2" SPRING WASHER		16
07	0503010060	1/2" NUT		16
08	0502010627	SPACER		28
09	0501047055	BEARING	15	16
10	0602030446	24" X 4,75 NOTCHED DISC BLADE		26
11	0601031039	DL24X4,75 C72AF02FR1.9/16 TATU TERR		24
11.	0601029413	DL22X4,5 C64AF02FR1.9/16 TATU		02
12	0501048788	IMPLEMENT PARTS ASSY 5/8 UNC X 2.1/2 CA		32
12A	0501814177	SCREW 5/8 UNC X 2.1/2 CAPQ SA		32
12B	0501010947	5/8 NUT LOCK		32
12C	0501012140	FLAT WASHER		32
12D	0503010013	5/8" NUT		64
13	0501044105	1.1/2 X 1305 AXLE W/NUT		04
13A	0511011914	1.1/2 X 1305 AXLE		04
13B	0501010110	1.1/2" NUT		08

BEARING

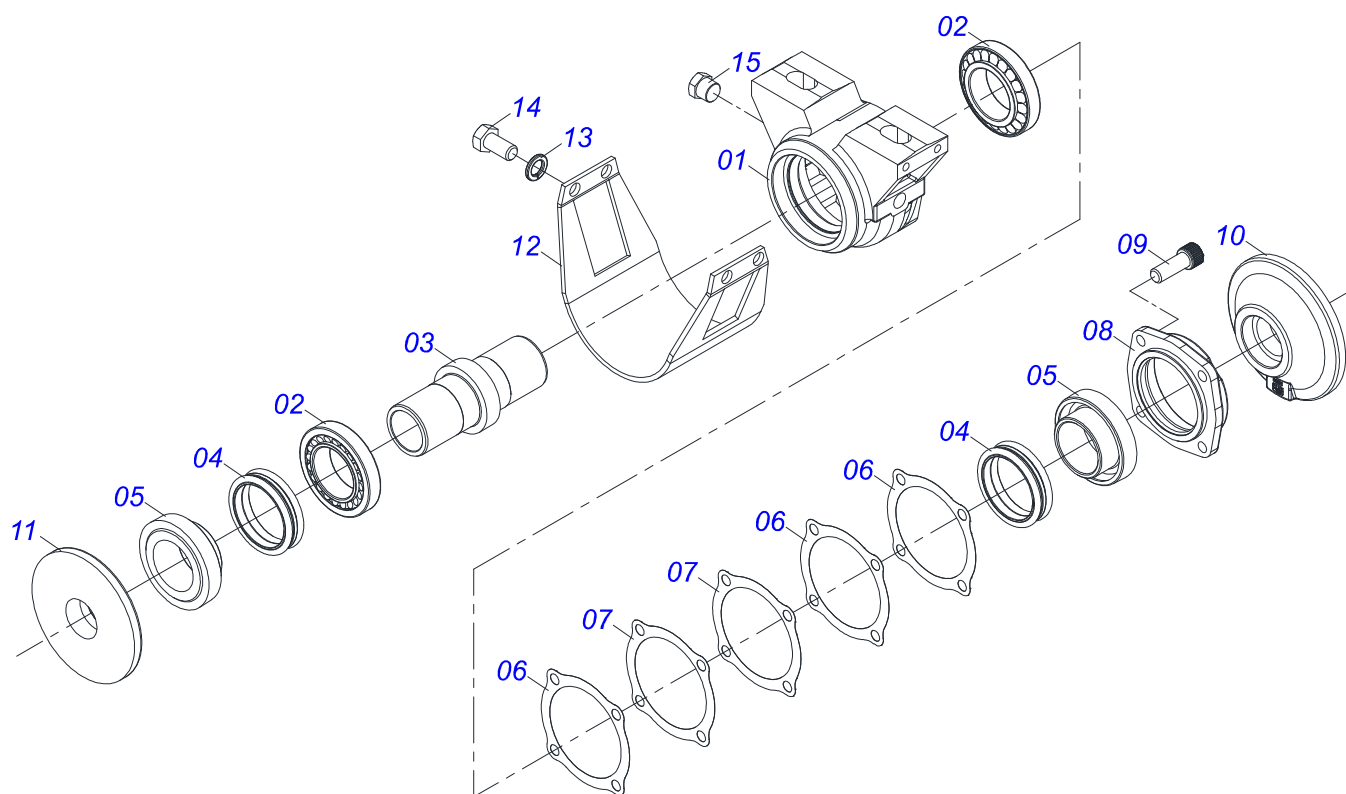


Item	Code	Description	See page	QT
01	0502010540	HOUSING DM		01
02	0503010006	32210 ROLLER BEARING		02
03	0502040061	AXLE		01
04	0503030013	4.4" X 3.5" X 0.004" JOINT		03
05	0503030684	4.4" X 3.5" X 0.004" JOINT		02
06	0502020424	HOUSING CAP		01
07	0503010134	3/8" X 1" BOLT		04
08	0503030026	SEAL LP JB-253		02
09	0502010541	SEAL RETAINER		02
10	0502010604	OUTER FLANGE		01
11	0502010605	INNER FLANGE		01
12	0503010856	OIL PLUG		02

BEARING



Item	Code	Description	See page	QT
01	0502011751	OIL HOUSING BEARING	01	01
02	0503010006	32210 ROLLER BEARING	02	02
03	0502040061	AXLE	01	01
04	0503030013	4.4" X 3.5" X 0.004" JOINT	03	03
05	0503030684	4.4" X 3.5" X 0.004" JOINT	02	02
06	0502020424	HOUSING CAP	01	01
07	0503010134	3/8" X 1" BOLT	04	04
08	0503030026	SEAL LP JB-253	02	02
09	0502010541	SEAL RETAINER	02	02
10	0502010604	OUTER FLANGE	01	01
11	0502010605	INNER FLANGE	01	01
12	0503010856	OIL PLUG	02	02
13	0511010829	BEARING GUARD	01	01
14	0503010025	3/8" SPRING WASHER	04	04
15	0503011334	BOLT 3/8 UNC X 3/4 CS G.5 ZN	04	04



Item	Code	Description	See page	QT
01	0502010717	HOUSING DM		01
02	0503014283	BEARING		02
03	0502040443	AXLE		01
04	0503030026	SEAL LP JB-253		02
05	0502010716	DOOR SEAL WITH BUSH		02
06	0503030013	4.4" X 3.5" X 0.004" JOINT		03
07	0503030684	4.4" X 3.5" X 0.004" JOINT		02
08	0502020424	HOUSING CAP		01
09	0503010134	3/8" X 1" BOLT		04
10	0502010694	OUTER FLANGE		01
11	0502010715	INNER FLANGE		01
12	0511010829	BEARING GUARD		01
13	0503011443	3/8" SPRING WASHER		04
14	0503011334	BOLT 3/8 UNC X 3/4 CS G.5 ZN		04
15	0503010856	OIL PLUG		02



www.marchesan.com.br



Technical Publications | Elaboration and Revision
ALESSANDRA PATRICIA KAWAHARA CARRILI