

HINGE TYPE OFFSET DISK HARROW

GNCR 28/32/36/40/42/44/48/52D - (AXIS 1.1/4")

Code: 0501091842
Series: S-0794
Revision: 00
Date Revision: SETEMBRO/2021

PARTS CATALOGUE



MARCHESAN



PRODUCTS

Code	Description
0102300065	GNCR 28 X 20 X 3,50 CM S-0794
0102300173	GNCR 28 X 20 X 3,50 CM DR S-0794
0102300115	GNCR 28 X 20 X 3,50 DM S-0794
0102300115C	GNCR 28 X 20 X 3,50 DM EXP S-0794
0102300157	GNCR 28 X 20 X 3,50 DM DR S-0794
0102300187	GNCR 28 X 20 X 4,50 DM S-0794
0102300177	GNCR 28 X 22 X 3,50 CM MT S-0794
0102300067	GNCR 28 X 22 X 4,50 CM S-0794
0102300167	GNCR 28 X 22 X 4,50 CM RD DR S-0794
0102300069	GNCR 28 X 22 X 4,50 DM S-0794
0102300069C	GNCR 28 X 22 X 4,50 DM EXP S-0794
0102300144	GNCR 28 X 22 X 4,50 DM DR S-0794
0102300225C	GNCR 28 X 22 X 4,50 DM DR C/P EXP S-0794
0102300225	GNCR 28 X 22 X 4,50 DM DR C/P S-0794
0102300214	GNCR 28 X 22 X 4,50 DM DR P11L15 S-0794
0102300189	GNCR 28 X 24 X 4,75 DM S-0794
0102300195	GNCR 32 DM S/DISCOS S-0794
0102300154	GNCR 32 S/DISCOS DM S-0794
0102300140	GNCR 32 X 18 X 3,50 DM MISTA S-0794
0102300056	GNCR 32 X 20 X 3,50 CM S-0794
0102300181	GNCR 32 X 20 X 3,50 CM DR S-0794
0102300059	GNCR 32 X 20 X 3,50 DM S-0794
0102300180	GNCR 32 X 20 X 3,50 DM DR S-0794
0102300059C	GNCR 32 X 20 X 3,50 DM EXP S-0794
0102300239	GNCR 32 X 20 X 3,50 MT DMO E 1.1/4 S-0794
0102300119	GNCR 32 X 20 X 4,50 DM S-0794
0102300188	GNCR 32 X 20 X 4,50 DM DR S-0794
0102300183	GNCR 32 X 20 X 6,00 DM MT S-0794
0102300064	GNCR 32 X 22 X 4,5 DM C/P DL S/PNEU
0102300057	GNCR 32 X 22 X 4,50 CM S-0794

ATTENTION: IMPORTANT

Marchesan S.A. reserves the right to improve and/or modify the technical features of its products, without obligation to do the same with those products already sold and without prior knowledge of the dealer or the customer. The photos are only illustrative.



PRODUCTS

0102300057C	GNCR 32 X 22 X 4,50 CM	EXP	S-0794
0102300232	GNCR 32 X 22 X 4,50 CM DL		S-0794
0102300220	GNCR 32 X 22 X 4,50 CM DR		S-0794
0102300060	GNCR 32 X 22 X 4,50 DM		S-0794
0102300155	GNCR 32 X 22 X 4,50 DM DR		S-0794
0102300155C	GNCR 32 X 22 X 4,50 DM DR	EXP	S-0794
0102300226	GNCR 32 X 22 X 4,50 DM DR C/P		S-0794
0102300060C	GNCR 32 X 22 X 4,50 DM EXP		S-0794
0102300102	GNCR 32 X 24 X 4,75 DM		S-0794
0102300020	GNCR 36 X 20 X 3,50 CM		S-0794
0102300029	GNCR 36 X 20 X 3,50 DM		S-0794
0102300215	GNCR 36 X 20 X 3,50 DM DR		S-0794
0102300029C	GNCR 36 X 20 X 3,50 DM EXP		S-0794
0102300120	GNCR 36 X 20 X 4,50 DM		S-0794
0102300174	GNCR 36 X 22 X 3,50 CM		S-0794
0102300179	GNCR 36 X 22 X 3,50 DM		S-0794
0102300222	GNCR 36 X 22 X 3,50 DM DR		S-0794
0102300201C	GNCR 36 X 22 X 4,50 DM DR C/P	EXP	S-0794
0102300021	GNCR 36 X 22 X 4,50 CM		S-0794
0102300021C	GNCR 36 X 22 X 4,50 CM	EXP	S-0794
0102300212	GNCR 36 X 22 X 4,50 CM DR		S-0794
0102300030C	GNCR 36 X 22 X 4,50 DM	EXP	S-0794
0102300030	GNCR 36 X 22 X 4,50 DM		S-0794
0102300149C	GNCR 36 X 22 X 4,50 DM DR	EXP	S-0794
0102300149	GNCR 36 X 22 X 4,50 DM DR		S-0794
0102300201	GNCR 36 X 22 X 4,50 DM DR C/P		S-0794
0102300138	GNCR 36 X 22 X 6,00 DM		S-0794
0102300221	GNCR 36 X 22 X 6,00 DM DR		S-0794
0102300104	GNCR 36 X 24 X 4,75 DM		S-0794
0102300092	GNCR 40 X 20 X 3,50 CM		S-0794
0102300094	GNCR 40 X 20 X 3,50 DM		S-0794

ATTENTION: IMPORTANT

Marchesan S.A. reserves the right to improve and/or modify the technical features of its products, without obligation to do the same with those products already sold and without prior knowledge of the dealer or the customer. The photos are only illustrative.



PRODUCTS

0102300216	GNCR 40 X 20 X 3,50 DM DR S-0794
0102300171	GNCR 40 X 20 X 4,50 DM S-0794
0102300093	GNCR 40 X 22 X 4,50 CM S-0794
0102300093C	GNCR 40 X 22 X 4,50 CM EXP S-0794
0102300095	GNCR 40 X 22 X 4,50 DM S-0794
0102300121	GNCR 40 X 22 X 4,50 DM DR S-0794
0102300121C	GNCR 40 X 22 X 4,50 DM DR EXP S-0794
0102300095C	GNCR 40 X 22 X 4,50 DM EXP S-0794
0102300032	GNCR 42 X 20 X 3,50 DM S-0794
0102300033	GNCR 42 X 22 X 4,50 DM S-0794
0102300096	GNCR 44 X 20 X 3,50 CM S-0794
0102300147	GNCR 44 X 20 X 3,50 CM DR S-0794
0102300098	GNCR 44 X 20 X 3,50 DM S-0794
0102300143	GNCR 44 X 20 X 4,50 CM S-0794
0102300097	GNCR 44 X 22 X 4,50 CM S-0794
0102300172	GNCR 44 X 22 X 4,50 CM 4EIXOS S0794
0102300158	GNCR 44 X 22 X 4,50 CM DR S-0794
0102300099C	GNCR 44 X 22 X 4,50 DM EXP S-0794
0102300099	GNCR 44 X 22 X 4,50 DM S-0794
0102300105	GNCR 44 X 22 X 4,50 DM 4EIXOS S0794
0102300175C	GNCR 44 X 22 X 4,50 DM DR EXP S-0794
0102300175	GNCR 44 X 22 X 4,50 DM DR S-0794
0102300148	GNCR 44 X 22 X 4,50 DM DR 4EIX S794
0102300026	GNCR 48 X 20 X 3,50 CM S-0794
0102300036	GNCR 48 X 22 X 4,50 DM S-0794
0102300036C	GNCR 48 X 22 X 4,50 DM EXP S-0794
0102300162	GNCR 48 X 22 X 4,50 DM DR S-0794
0102300162C	GNCR 48 X 22 X 4,50 DR DM E 1.1/4 EXP S-0794
0102300161C	GNCR 52 X 22 X 4,5 DM 11L15 EXP S-0794
0102300161	GNCR 52 X 22 X 4,5 DM 11L15 S-0794
0102300185	GNCR 52 X 22 X 4,50 DM DR S-0794

ATTENTION: IMPORTANT

Marchesan S.A. reserves the right to improve and/or modify the technical features of its products, without obligation to do the same with those products already sold and without prior knowledge of the dealer or the customer. The photos are only illustrative.



PRODUCTS

0102300185C GNCR 52 X 22 X 4,50 DR DM E 1.1/4 EXP S-0794
0102300122 GNCR 52 X 22 X 4,5DM 8 SAPAT S-0794

ATTENTION: IMPORTANT

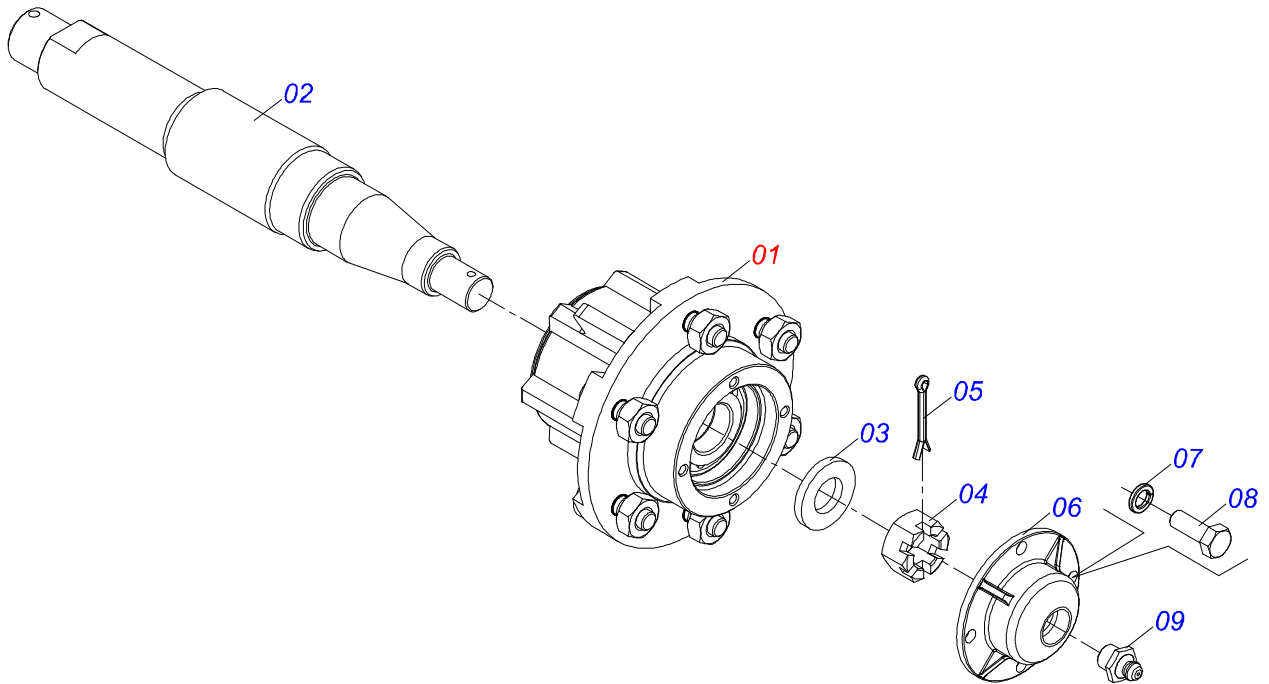
Marchesan S.A. reserves the right to improve and/or modify the technical features of its products, without obligation to do the same with those products already sold and without prior knowledge of the dealer or the customer. The photos are only illustrative.



MARCHESAN

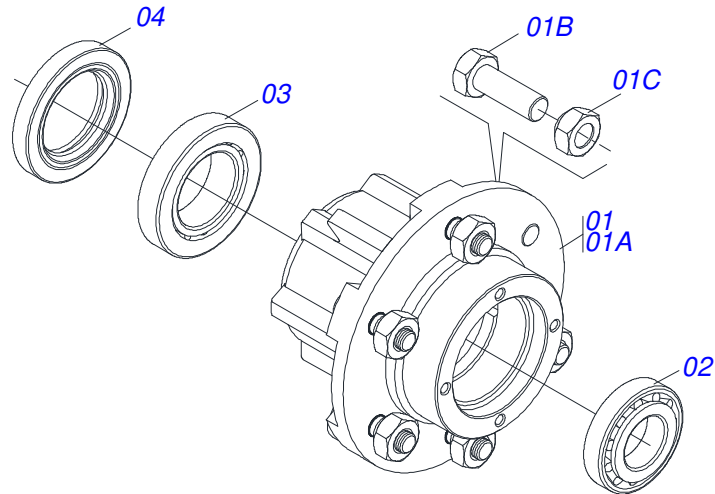
INDEX

0909092462	28/32/36/40/42/44/48/52D - FRAME ASSY	1
0501051634	TSTUB SHAFT & HUB ASSY	2
0501051142	CARRYING WHEEL HUB	3
0501041096	DRAWBAR ASSY	4
0501040257	ASSY 3/4 X 38 HOSE SUPPORT	5
0503060091	L29.5"X0.63"-10L WHEEL AND	6
0503060181	WHEEL AND TIRE	7
0909092463	28/32/36/40/42/44/48/52D - CIRCUIT HYDRAULIQUE	8
0511059180	HYDRAULIC CYLINDER 50,80 X 101,60 X 515 X 203	9
0501053834	MALE QUICK COUPLER	10
0503011360	HOSE KIT	11
0909094284	28D - FRONT AND REAR DISC SECTION	12
0909092464	32D - FRONT AND REAR DISC SECTION	13
0909092465	36D - FRONT AND REAR DISC SECTION	14
0909092466	40D - FRONT AND REAR DISC SECTION	15
0909095978	42D - FRONT AND REAR DISC SECTION	16
0909092467	44D - FRONT AND REAR DISC SECTION	17
0909095979	48D - FRONT AND REAR DISC SECTION	18
0909095793	52D - FRONT AND REAR DISC SECTION	19
0501042180	BEARING DUROMARK OL 192,5 X 1.1/4 IT	20
0501046922	AGRICULTURAL BEARING DM OL 7 X 1.1/4 IMPLEMENT	21
0501046913	GX 7" 1-1/4" BEARING ASSY	22
0501046931	BEARING AGR CM RD 192,5 X 1.1/4 IMP GN	23
0511041257	BEARING AGR DM OL 192,5 X 1.1/4 WITH PROTECTION IMP	24
0521047189	BEARING 192,5 X 1.1/4 OSC IMP GN	25
0521050842	CHUMACERA 192,5 X 1.1/4 IMP	26



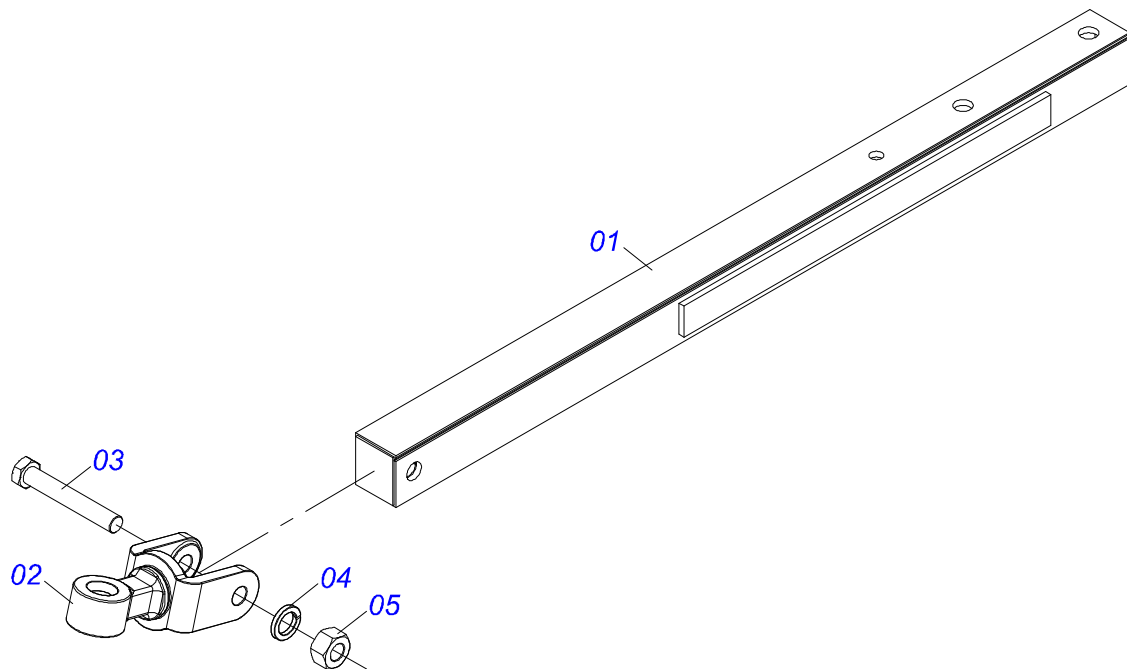
Item	Code	Description	See page	QT
01	0501051142	CARRYING WHEEL HUB	3	01
02	0521010821	2.5" X 16.5" AXLE		01
03	0501016545	FLAT WASHER		01
04	0503030009	1" CASTLE NUT		01
05	0503010018	5/32" X 1-1/2" SPLIT PIN		01
06	0502020591	PROTECCION COVER		01
07	0503011444	SPRING WASHER		04
08	0503010358	5/16" X 5/8" BOLT		04
09	0503010002	1800 GREASE FITTING		01

CARRYING WHEEL HUB

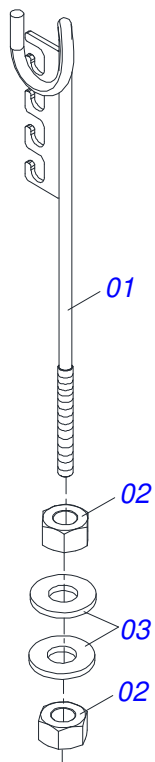


Item	Code	Description	See page	QT
01	0501110728	WHEEL HUB		01
01A	0502011121	CARRYING WHEEL HUB		01
01B	0501010127	9/16" X 1-7/8" LUG BOLT		06
01C	0503010035	9/16" CONIC NUT		06
02	0503010037	30207 ROLLER BEARING		01
03	0503010006	32210 ROLLER BEARING		01
04	0503012928	SEAL		01

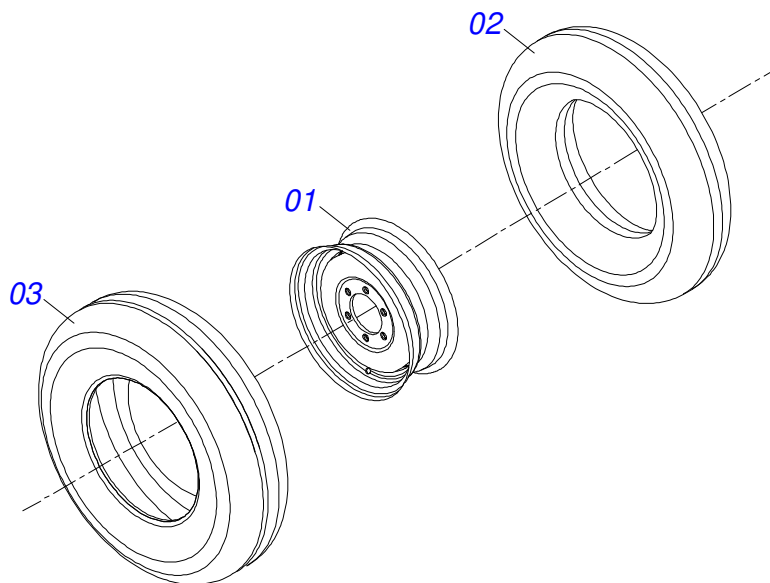
DRAWBAR ASSY



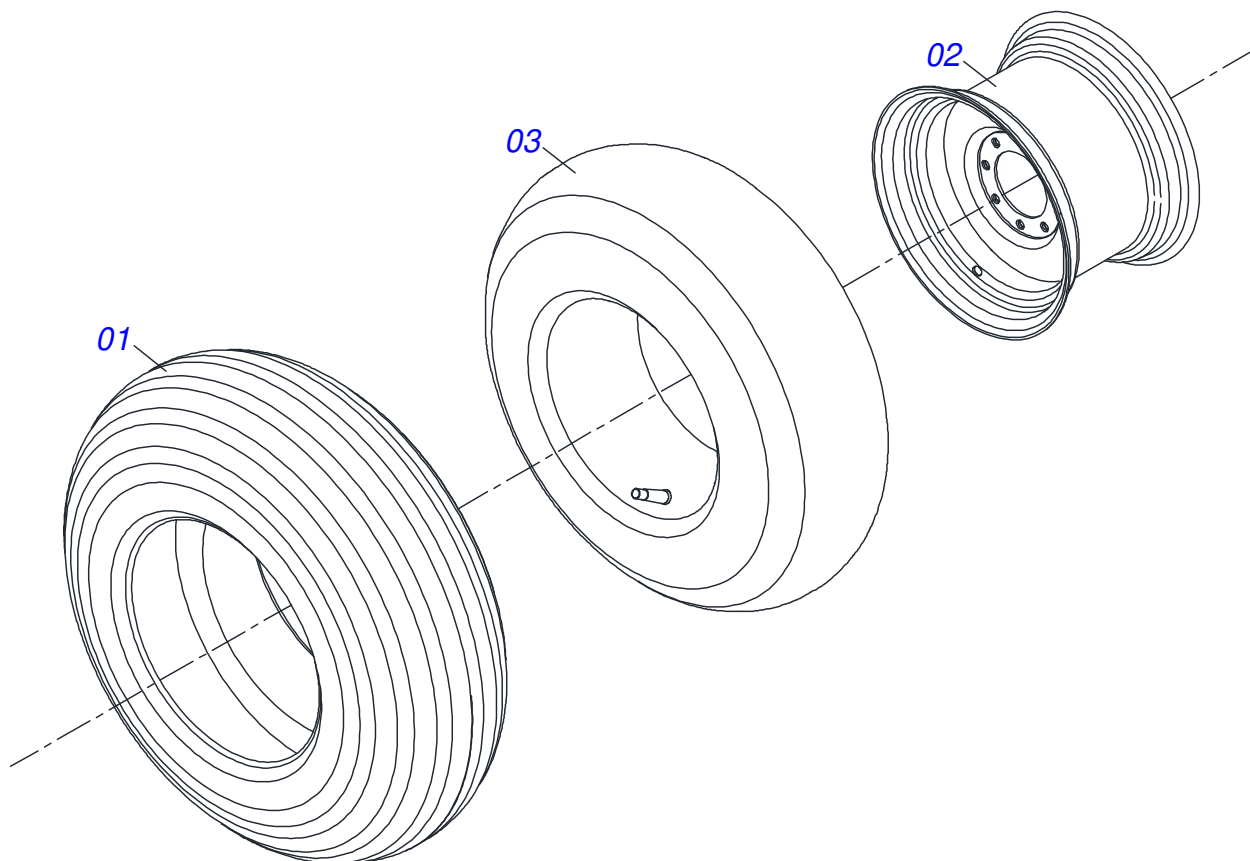
Item	Code	Description	See page	QT
01	0501060188	DRAWBAR ASSY		01
02	0521061775	TRACTOR HITCH		01
03	0501010060	1" X 6-1/2" BOLT		01
04	0503011438	SPRING WASHER		01
05	0501010059	1.5/8 NUT		01



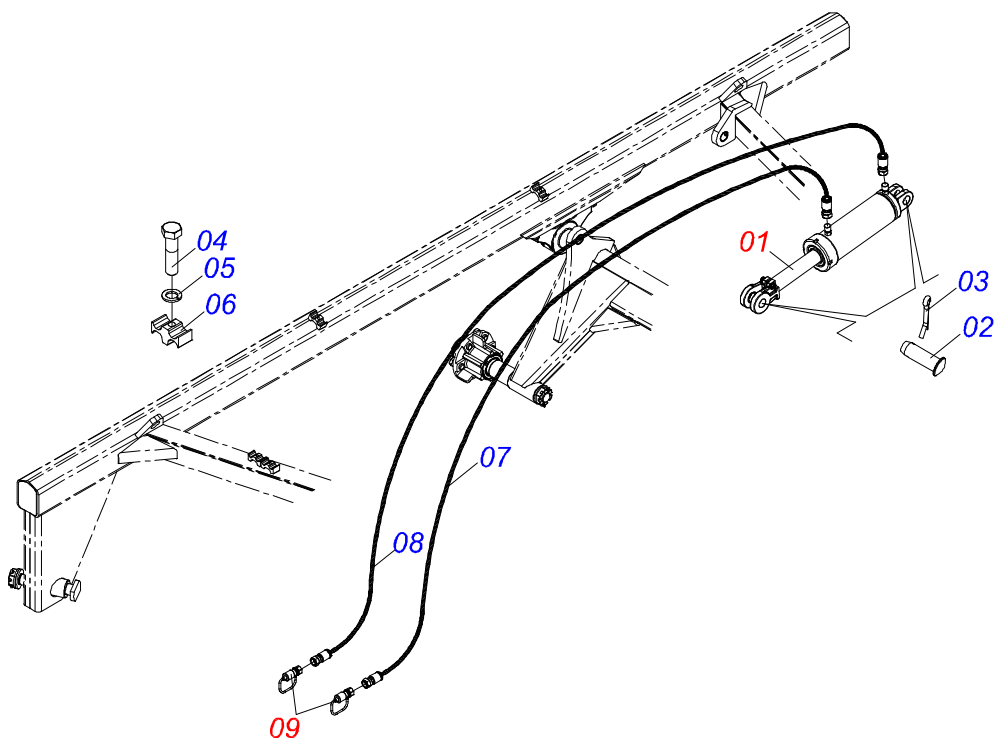
Item	Code	Description	See page	QT
01	0511067334	HOSE SUPPORT		01
02	0503010014	3/4" HEX NUT		02
03	0501010322	FLAT WASHER		02



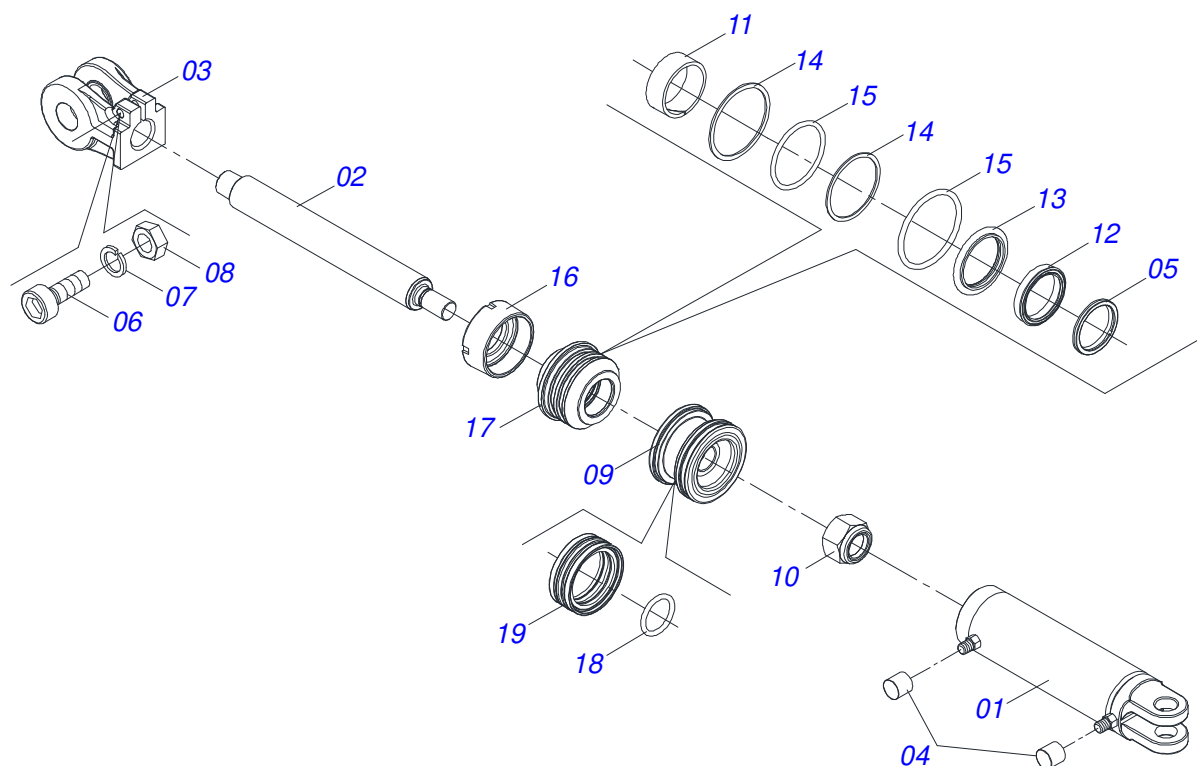
Item	Code	Description	See page	QT
01	0503010893	WHEEL		01
02	0503010033	7.50 X 16 INNER TIRE		01
03	0503010120	CANVAS TIRE		01



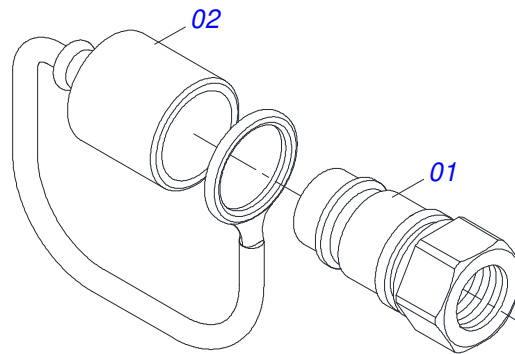
Item	Code	Description	See page	QT
01	0503010858	CANVAS TIRE		01
02	0503011468	WEEL		01
03	0503010860	AIR CHAMBER 11L 15		01



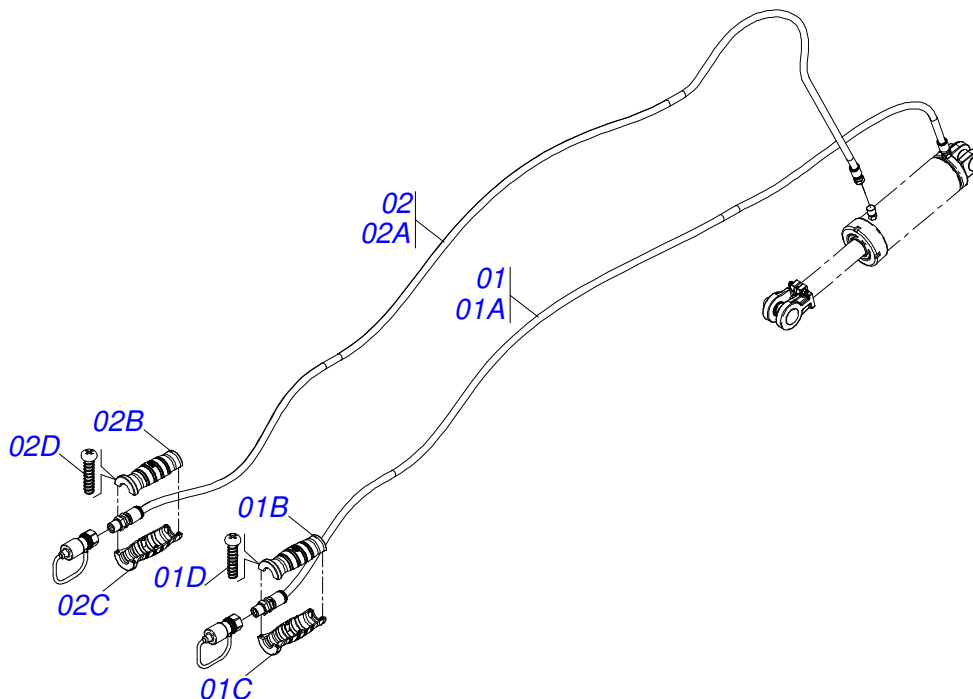
Item	Code	Description	See page	QT
01	0511059180	HYDRAULIC CYLINDER 50,80 X 101,60 X 515 X 203	9	01
02	0521012538	1.2" X 3.5" COUPLING SHAFT		02
03	0503010571	1/4" X 1.1/2" SPLIT PIN		02
04	0503012555	SCREW 7/16 UNC X 2 CS RT G.7 ZN		04
05	0503010180	7/16" SPRING WASHER		04
06	0502012702	BODY SUPPORT CLAMP		04
07	0501080421	3/8" X 230" TR-TM HOSE		01
08	0501080443	3/8 X 6000 TR-TM HOSE		01
09	0501053834	MALE QUICK COUPLER	10	02



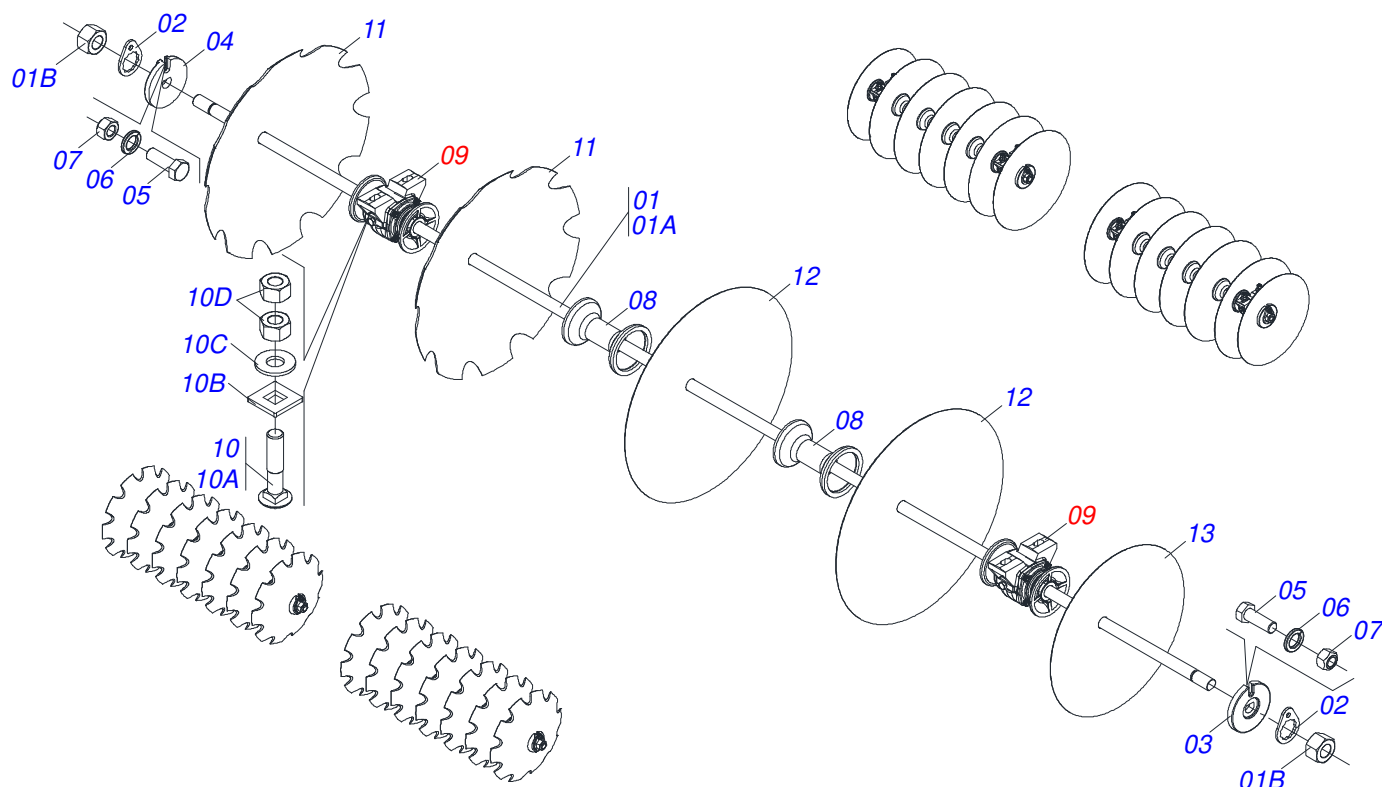
Item	Code	Description	See page	QT
01	0511070658	CYLINDER CASE		01
02	0571019958	HYDRAULIC CYLINDER TURNBUCKLE		01
03	0502040747	32.54 CLEVIS CLAMP		01
04	0503030385	CYLINDER PLUG N-002		02
05	0503010039	D-2000 SCRAPER RING		01
06	0503011094	3/8" X 2" BOLT		01
07	0503011443	3/8" SPRING WASHER		01
08	0503010026	3/8" NUT		01
09	0502012820	50,80 X 101,60 PISTON		01
10	0503010817	1.1/4" SELF LOCKING NUT		01
11	0503018025	RING GUIDE		01
12	0503018026	1870-2000-375 B GASKET		01
13	0503018024	RING BS		01
14	0503010338	2-342 N 3006-9B O'RING		02
15	0503011061	8-342 BACK-UP RING		02
16	0502012822	101.60 END CAP		01
17	0502012821	50.80 X 101.60 RING SUPPORT		01
18	0503018029	2-217 O'RING		01
19	0503015633	SELEMASTER SEALING		01



Item	Code	Description	See page	QT
01	0503011627	MALE QUICK COUPLER AGR 1/2 NPT		01
02	0503011882	MALE QUICK COUPLER CAP		01



Item	Code	Description	See page	QT
01	0521056233	3/8 X 6000 TR-TM HOSE BLACK / RED		01
01A	0501080443	3/8 X 6000 TR-TM HOSE		01
01B	0503034495	HYDRAULIC HOSE GRIP (RED)		01
01C	0503034492	HYDRAULIC HOSE GRIP (BLACK)		01
01D	0503018952	PLASTIC BOLT		06
02	0521055893	3/8 X 5850 TR-TM HOSE BLACK / BLUE		01
02A	0501080421	3/8" X 230" TR-TM HOSE		01
02B	0503034492	HYDRAULIC HOSE GRIP (BLACK)		01
02C	0503034494	HYDRAULIC HOSE GRIP (BLUE)		01
02D	0503018952	PLASTIC BOLT		06

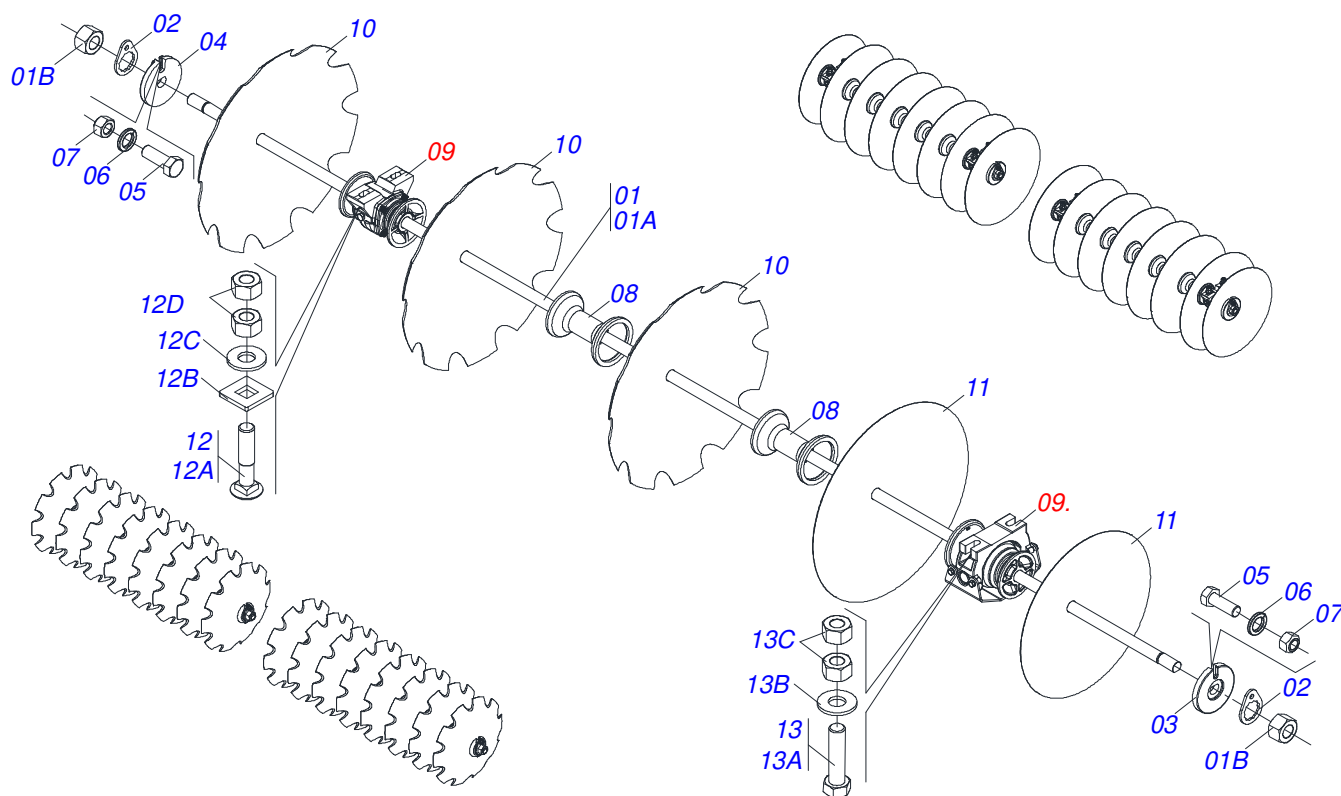


Item	Code	Description	See page	QT
01	0501042202	1-1/4" X 50" AXLE WITH NUTS		04
01A	0501016650	1-1/4" X 50" AXLE		04
01B	0501010087	1.1/4" NUT		08
02	0501010455	1.1/4" NUT LOCK		08
03	0502010834	1-1/4" INNER AXLE WASHER		04
04	0502010835	1-1/4" EXTERNAL AXLE WASHER		04
05	0503011082	C1/2" X 1.3/4" SCREW		08
06	0503010019	1/2" SPRING WASHER		08
07	0503010060	1/2 UNC G.5 ZN HEX NUT		08
08	0502010549	7.6" X 1-1/4" SPACER		16
09	0501046922	AGRICULTURAL BEARING DM OL 7 X 1.1/4 21 IMPLEMENT		08
09.	0501046913	GX 7" 1-1/4" BEARING ASSY	22	08
09..	0501046931	BEARING AGR CM RD 192,5 X 1.1/4 IMP GN	23	08
09...	0511041257	BEARING AGR DM OL 192,5 X 1.1/4 WITH 24 PROTECTION IMP		08
10	0501058802	5/8 UNC X 2.3/4 BOLT ASSY		16
10A	0503015154	5/8" X 2.3/4" BOLT		16
10B	0501010947	5/8 NUT LOCK		16
10C	0501012140	FLAT WASHER		16
10D	0503010013	5/8 NUT		32
11	0602030336	DR 24 X 4,75 C76AF02FR1.5/16 10R		14
11.	0602029420	DR 22 X 3,5 C64AF02FR1.5/16 D126 10R		14
11..	0602029421	DR 22 X 4,5 C64AF02FR1.5/16 10R		14
11...	0602027340	DR 20 X 3,5 C57AF02FR1.5/16 10R		16
11....	0602027342	DR 20 X 4,5 C57AF02FR1.5/16 10R		14
11.....	0602025261	DR 18 X 3,5 C45AF02FR1.5/16 9R		02
12	0601031042	DL 24 X 4,75 C76AF02FR1.5/16		12
12.	0601029417	DL 22 X 4,5 C64AF02FR1.5/16		12
12..	0601029418	DL 22 X 3,5 C64AF02FR1.5/16 D126		12
12...	0601027301	DL 20 X 3,5 C57AF02FR1.5/16		14
12....	0601027304	DL 20 X 4,5 C57AF02FR1.5/16		12

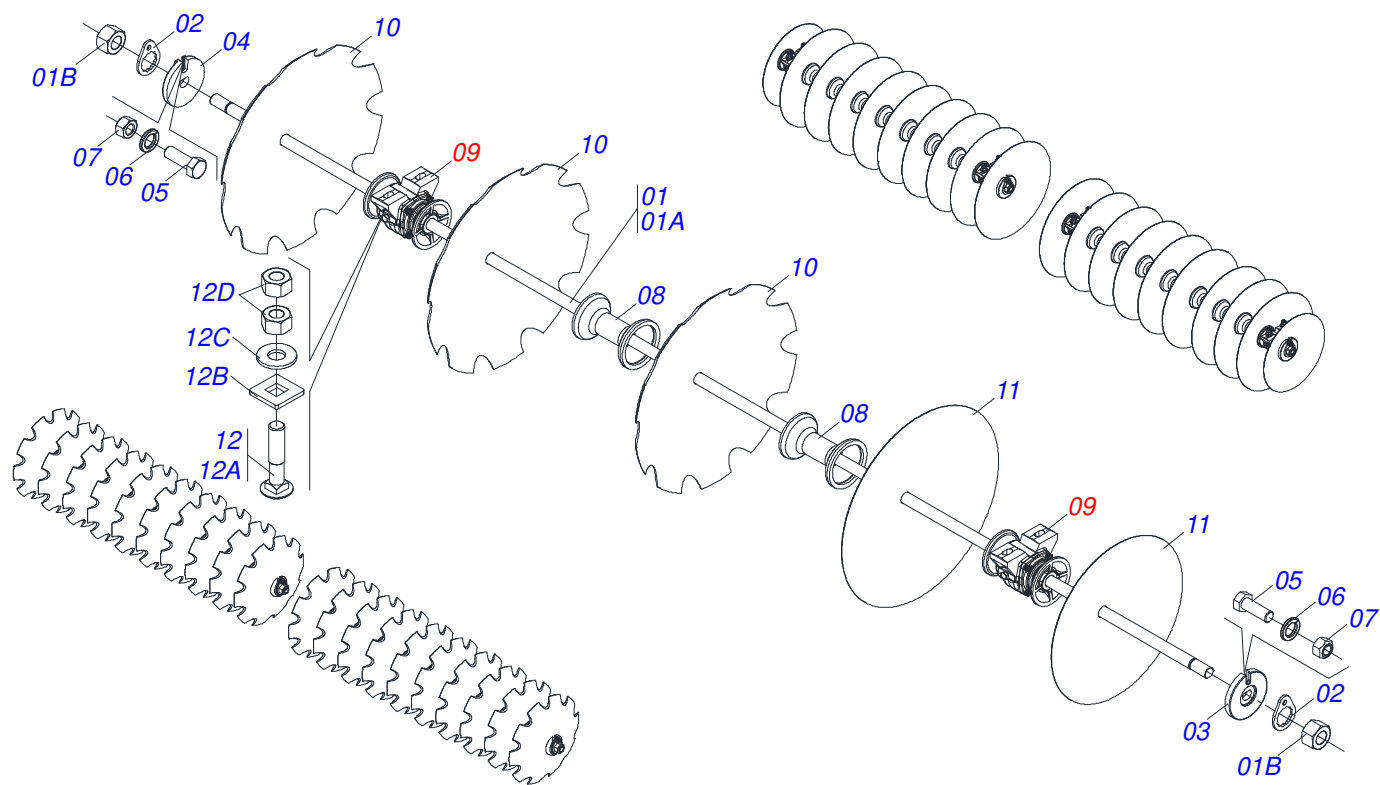


Item	Code	Description	See page	QT
13	0601025251	DL 18 X 3,5 C45AF02FR1.5/16		02
13.	0601025252	DL 18 X 4,5 C45AF02FR1.5/16		02

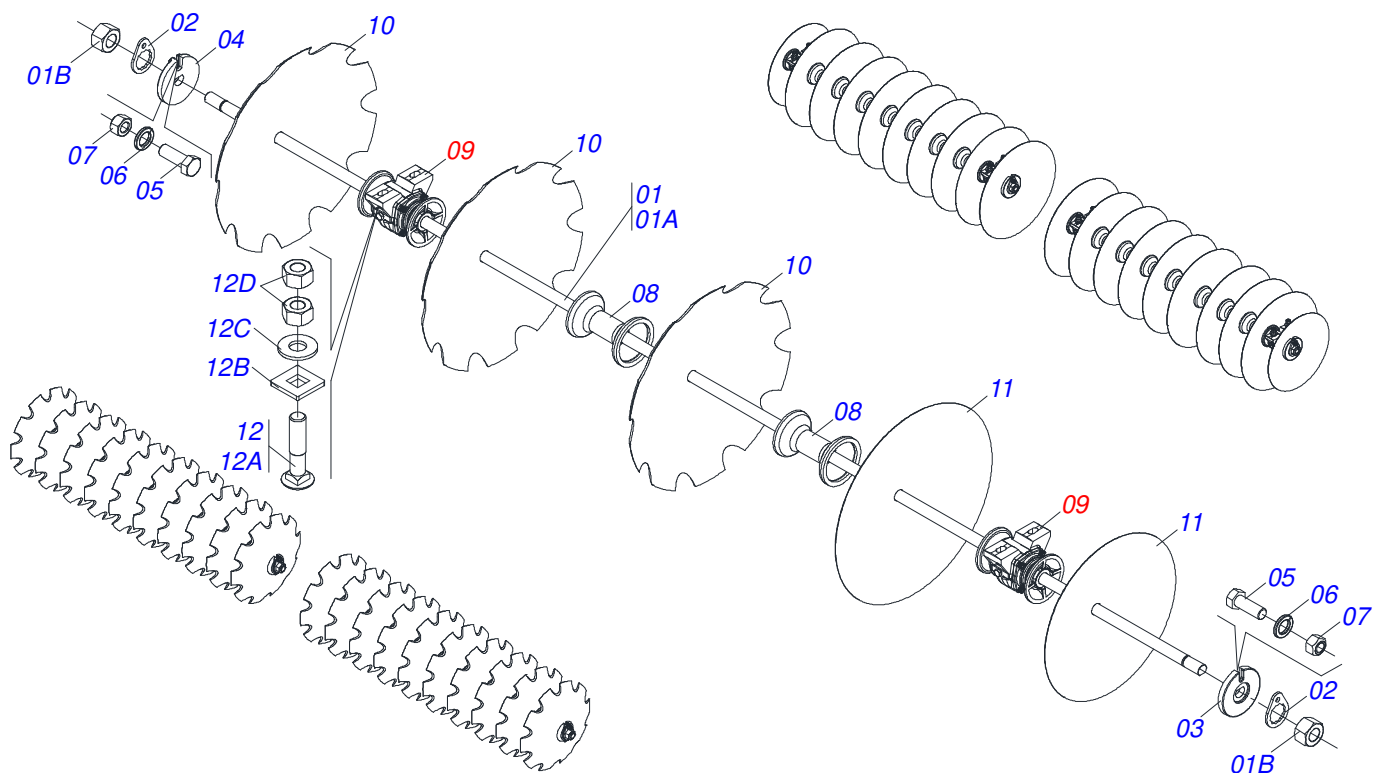
32D - FRONT AND REAR DISC SECTION



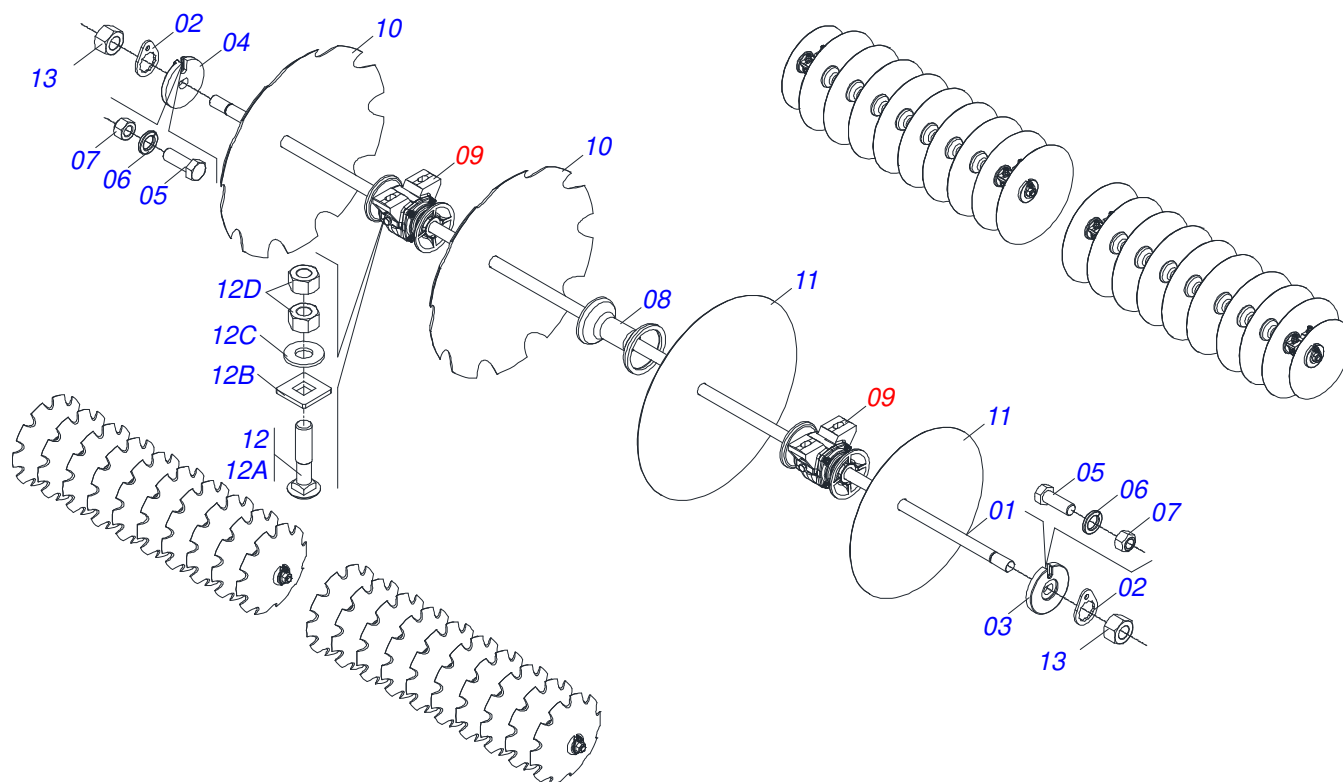
Item	Code	Description	See page	QT
01	0501042942	1-1/4" X 58" AXLE WITH NUTS		04
01A	0501017379	1-1/4" X 58" AXLE		04
01B	0501010087	1.1/4" NUT		08
02	0501010455	1.1/4" NUT LOCK		08
03	0502010834	1-1/4" INNER AXLE WASHER		04
04	0502010835	1-1/4" EXTERNAL AXLE WASHER		04
05	0503011082	C1/2" X 1.3/4" SCREW		08
06	0503010019	1/2" SPRING WASHER		08
07	0503010060	1/2 UNC G.5 ZN HEX NUT		08
08	0502010549	7.6" X 1-1/4" SPACER		20
09	0501046922	AGRICULTURAL BEARING DM OL 7 X 1.1/4 21 IMPLEMENT		08
09.	0521047189	BEARING 192,5 X 1.1/4 OSC IMP GN	25	08
10	0602027340	DR 20 X 3,5 C57AF02FR1.5/16 10R		16
11	0601027301	DL 20 X 3,5 C57AF02FR1.5/16		14
11.	0601025251	DL 18 X 3,5 C45AF02FR1.5/16		02
12	0501058802	5/8 UNC X 2.3/4 BOLT ASSY		16
12A	0503015154	5/8" X 2.3/4" BOLT		01
12B	0501010947	5/8 NUT LOCK		01
12C	0501012140	FLAT WASHER		01
12D	0503010013	5/8 NUT		02
13	0521059224	SCREW ASSEMBLY		16
13A	0501013233	5/8" X 2-3/4" BOLT		01
13B	0501012140	FLAT WASHER		01
13C	0503010013	5/8 NUT		02



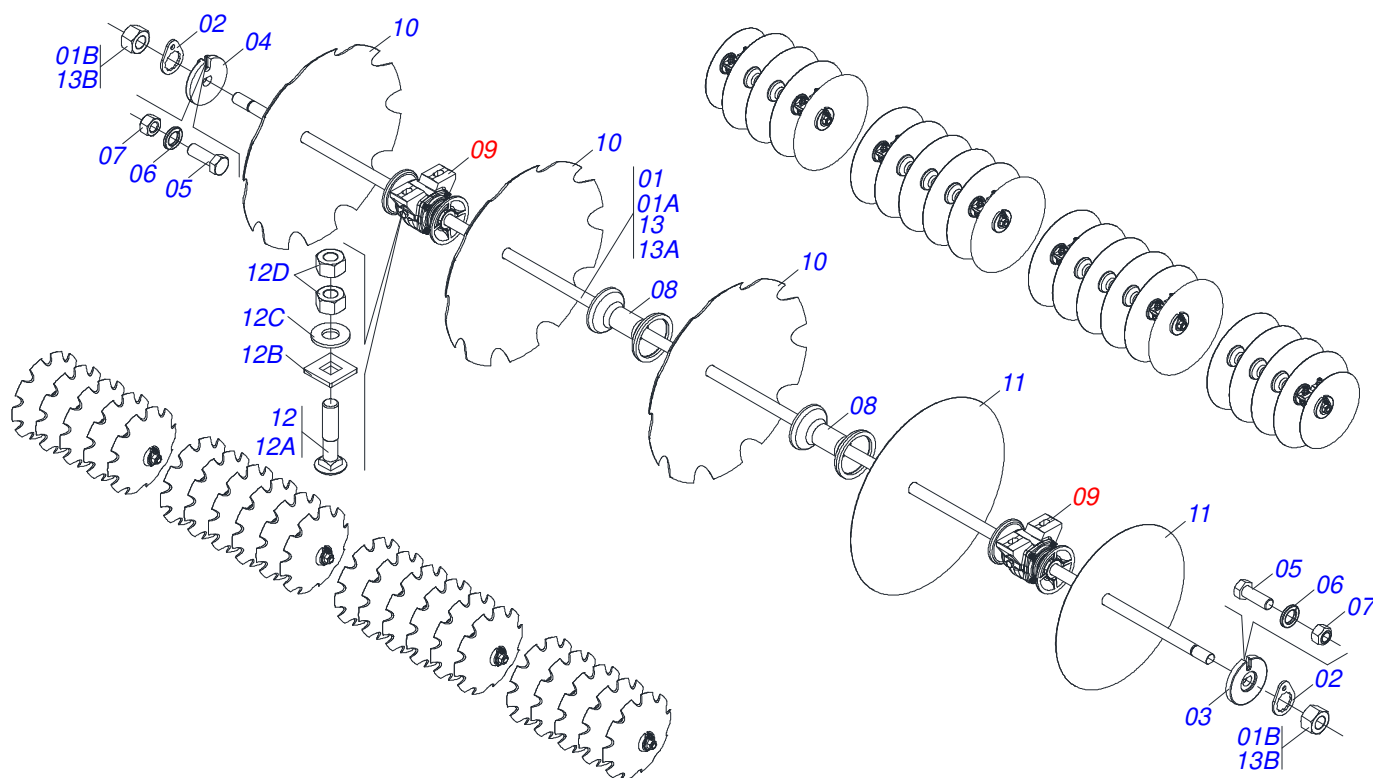
Item	Code	Description	See page	QT
01	0501040694	1-1/4" X 66" AXLE WITH NUTS		04
01A	0501010439	1-1/4" X 66" AXLE		04
01B	0501010087	1.1/4" NUT		08
02	0501010455	1.1/4" NUT LOCK		08
03	0502010834	1-1/4" INNER AXLE WASHER		04
04	0502010835	1-1/4" EXTERNAL AXLE WASHER		04
05	0503011082	C1/2" X 1.3/4" SCREW		08
06	0503010019	1/2" SPRING WASHER		08
07	0503010060	1/2 UNC G.5 ZN HEX NUT		08
08	0502010549	7.6" X 1-1/4" SPACER		20
09	0501046922	AGRICULTURAL BEARING DM OL 7 X 1.1/4 21 IMPLEMENT		12
10	0602029421	DR 22 X 4,5 C64AF02FR1.5/16 10R		18
10.	0602027340	DR 20 X 3,5 C57AF02FR1.5/16 10R		18
10..	0602027342	DR 20 X 4,5 C57AF02FR1.5/16 10R		02
11	0601027301	DL 20 X 3,5 C57AF02FR1.5/16		16
11.	0601025251	DL 18 X 3,5 C45AF02FR1.5/16		02
12	0501058802	5/8 UNC X 2.3/4 BOLT ASSY		24
12A	0503015154	5/8" X 2.3/4" BOLT		01
12B	0501010947	5/8 NUT LOCK		01
12C	0501012140	FLAT WASHER		01
12D	0503010013	5/8 NUT		02



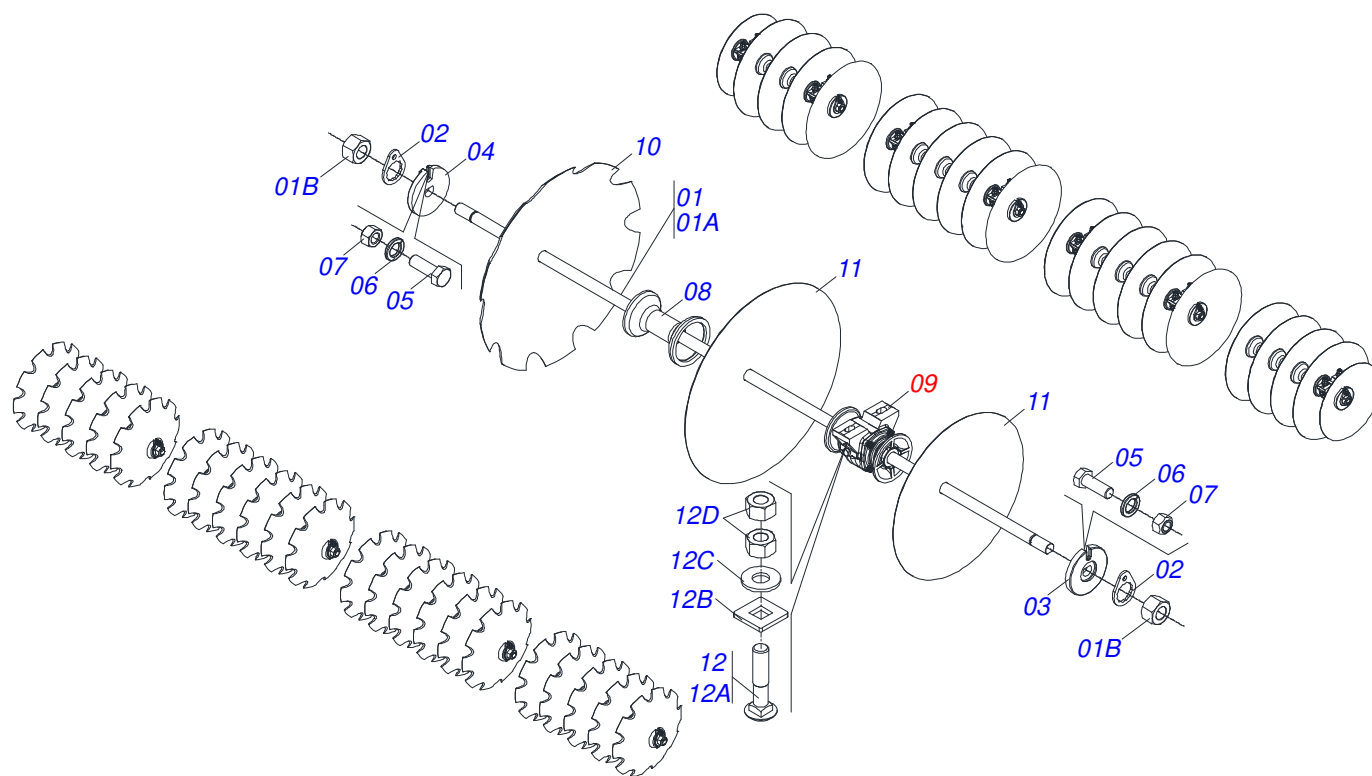
Item	Code	Description	See page	QT
01	0501042947	1-1/4" X 74" AXLE WITH NUTS		04
01A	0501017377	1-1/4" X 74" AXLE		04
01B	0501010087	1.1/4" NUT		08
02	0501010455	1.1/4" NUT LOCK		08
03	0502010834	1-1/4" INNER AXLE WASHER		04
04	0502010835	1-1/4" EXTERNAL AXLE WASHER		04
05	0503011082	C1/2" X 1.3/4" SCREW		08
06	0503010019	1/2" SPRING WASHER		08
07	0503010060	1/2 UNC G.5 ZN HEX NUT		08
08	0502010549	7.6" X 1-1/4" SPACER		24
09	0501046922	AGRICULTURAL BEARING DM OL 7 X 1.1/4 21 IMPLEMENT		12
09.	0501046913	GX 7" 1-1/4" BEARING ASSY	22	12
10	0602029421	DR 22 X 4,5 C64AF02FR1.5/16 10R		20
10.	0602027342	DR 20 X 4,5 C57AF02FR1.5/16 10R		02
11	0601029417	DL 22 X 4,5 C64AF02FR1.5/16		18
11.	0601027301	DL 20 X 3,5 C57AF02FR1.5/16		02
12	0501058802	5/8 UNC X 2.3/4 BOLT ASSY		24
12A	0503015154	5/8" X 2.3/4" BOLT		01
12B	0501010947	5/8 NUT LOCK		01
12C	0501012140	FLAT WASHER		01
12D	0503010013	5/8 NUT		02



Item	Code	Description	See page	QT
01	0501015406	AXLE 1.1/4 X 1230		06
02	0501010455	1.1/4" NUT LOCK		08
03	0502010834	1-1/4" INNER AXLE WASHER		04
04	0502010835	1-1/4" EXTERNAL AXLE WASHER		04
05	0503011082	C1/2" X 1.3/4" SCREW		08
06	0503010019	1/2" SPRING WASHER		08
07	0503010060	1/2 UNC G.5 ZN HEX NUT		08
08	0502010549	7.6" X 1-1/4" SPACER		24
09	0501046922	AGRICULTURAL BEARING DM OL 7 X 1.1/4 21 IMPLEMENT		06
09.	0501042180	BEARING DUROMARK OL 192,5 X 1.1/4 IT	20	12
10	0602029007	22" X 0.2" NOTCHED DISC BLADE		21
11	0601029006	22" X 0.2" PLAIN DISC BLADE		19
11.	0601027002	20" X 0.1" PLAIN DISC BLADE		02
12	0501048788	IMPLEMENT PARTS ASSY 5/8 UNC X 2.1/2 CA		24
12A	0501014177	5/8" X 2-1/2" BOLT		01
12B	0501010947	5/8 NUT LOCK		01
12C	0501012140	FLAT WASHER		01
12D	0503010013	5/8 NUT		02
13	0501010087	1.1/4" NUT		12

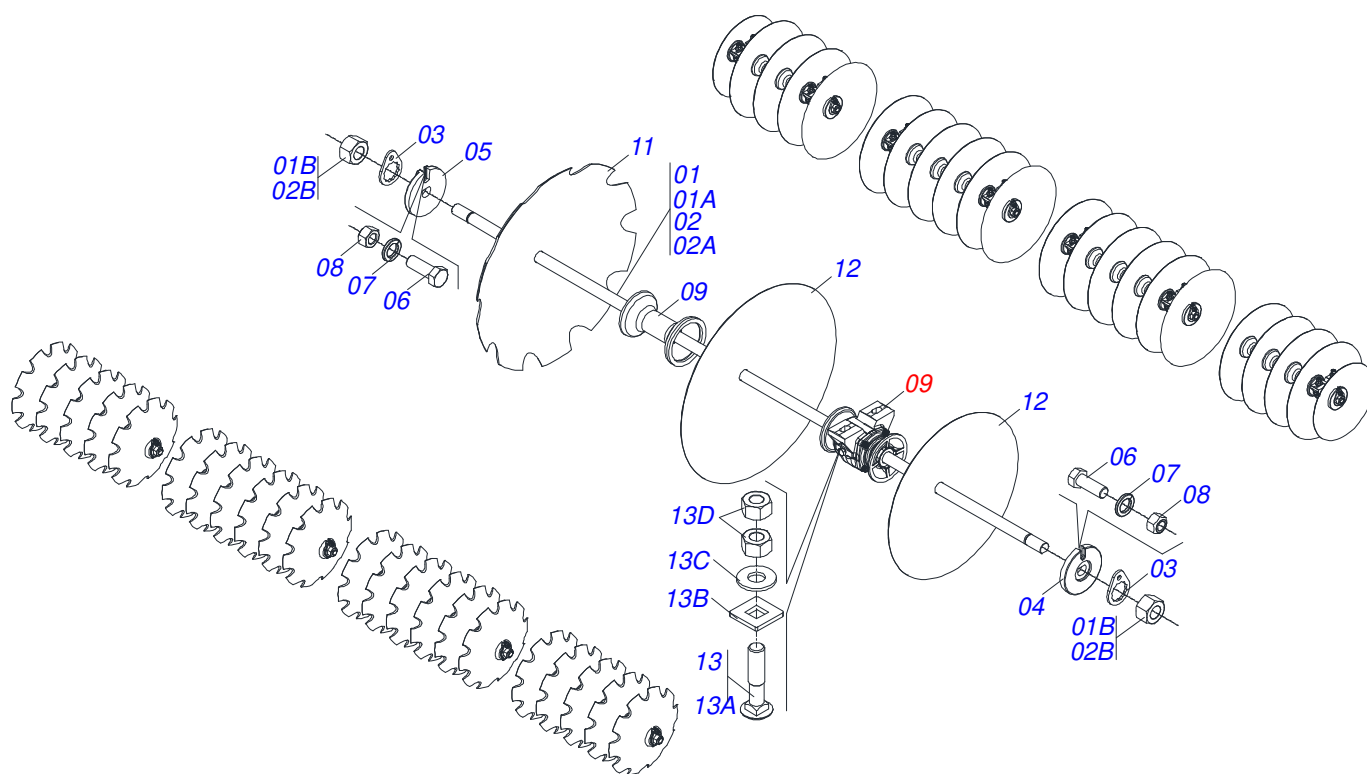


Item	Code	Description	See page	QT
01	0501042201	1.1/4" X 1090 AXLE WITH NUTS		04
01A	0501016649	1.1/4" X 1090 AXLE		04
01B	0501010087	1.1/4" NUT		08
02	0501010455	1.1/4" NUT LOCK		16
03	0502010834	1-1/4" INNER AXLE WASHER		08
04	0502010835	1-1/4" EXTERNAL AXLE WASHER		08
05	0503011082	C1/2" X 1.3/4" SCREW		16
06	0503010019	1/2" SPRING WASHER		16
07	0503010060	1/2 UNC G.5 ZN HEX NUT		16
08	0502010549	7.6" X 1-1/4" SPACER		20
09	0501046922	AGRICULTURAL BEARING DM OL 7 X 1.1/4 21 IMPLEMENT		16
10	0602029421	DR 22 X 4,5 C64AF02FR1.5/16 10R		22
10.	0602027342	DR 20 X 4,5 C57AF02FR1.5/16 10R		02
11	0601029417	DL 22 X 4,5 C64AF02FR1.5/16		20
11.	0601027301	DL 20 X 3,5 C57AF02FR1.5/16		02
12	0501058802	5/8 UNC X 2.3/4 BOLT ASSY		32
12A	0503015154	5/8" X 2.3/4" BOLT		01
12B	0501010947	5/8 NUT LOCK		01
12C	0501012140	FLAT WASHER		01
12D	0503010013	5/8 NUT		02
13	0501042262	1-1/4" X 35" AXLE WITH NUTS		04
13A	0501016647	1-1/4" X 35" AXLE		01
13B	0501010087	1.1/4" NUT		02

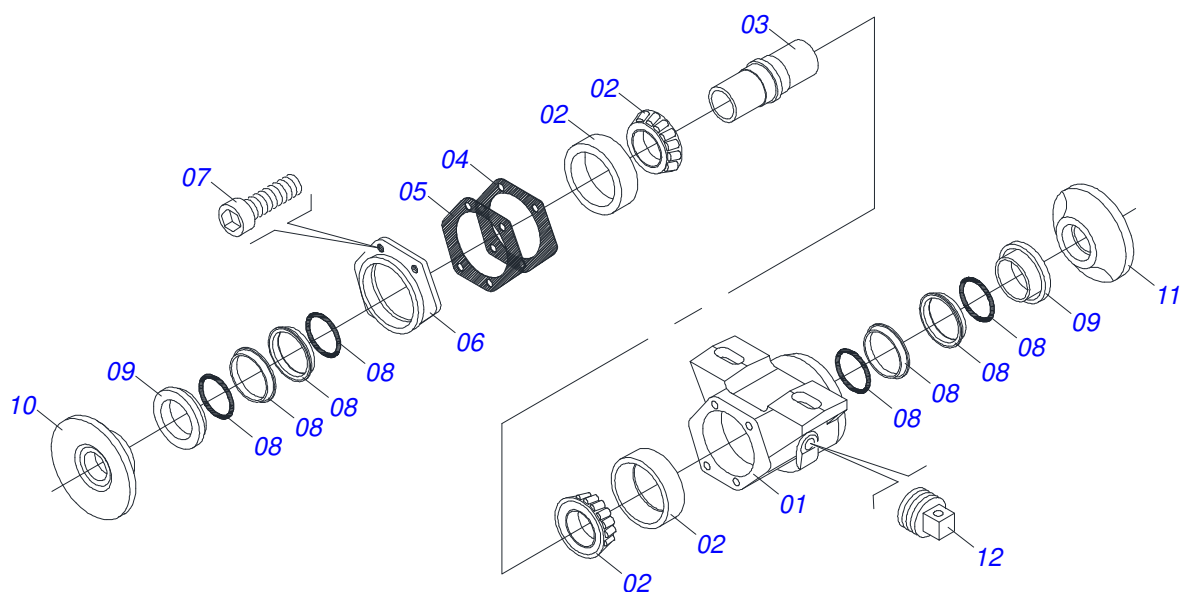


Item	Code	Description	See page	QT
01	0501042201	1.1/4" X 1090 AXLE WITH NUTS		04
01A	0501016649	1.1/4" X 1090 AXLE		04
01B	0501010087	1.1/4" NUT		08
02	0501010455	1.1/4" NUT LOCK		16
03	0502010834	1-1/4" INNER AXLE WASHER		08
04	0502010835	1-1/4" EXTERNAL AXLE WASHER		08
05	0503011082	C1/2" X 1.3/4" SCREW		16
06	0503010019	1/2" SPRING WASHER		16
07	0503010060	1/2 UNC G.5 ZN HEX NUT		16
08	0502010549	7.6" X 1-1/4" SPACER		20
09	0501046922	AGRICULTURAL BEARING DM OL 7 X 1.1/4 21 IMPLEMENT		16
10	0602027340	DR 20 X 3,5 C57AF02FR1.5/16 10R		24
10.	0602029421	DR 22 X 4,5 C64AF02FR1.5/16 10R		24
11	0601025251	DL 18 X 3,5 C45AF02FR1.5/16		20
11.	0601027301	DL 20 X 3,5 C57AF02FR1.5/16		22
11..	0601029417	DL 22 X 4,5 C64AF02FR1.5/16		22
12	0501058802	5/8 UNC X 2.3/4 BOLT ASSY		32
12A	0503015154	5/8" X 2.3/4" BOLT		01
12B	0501010947	5/8 NUT LOCK		01
12C	0501012140	FLAT WASHER		01
12D	0503010013	5/8 NUT		02

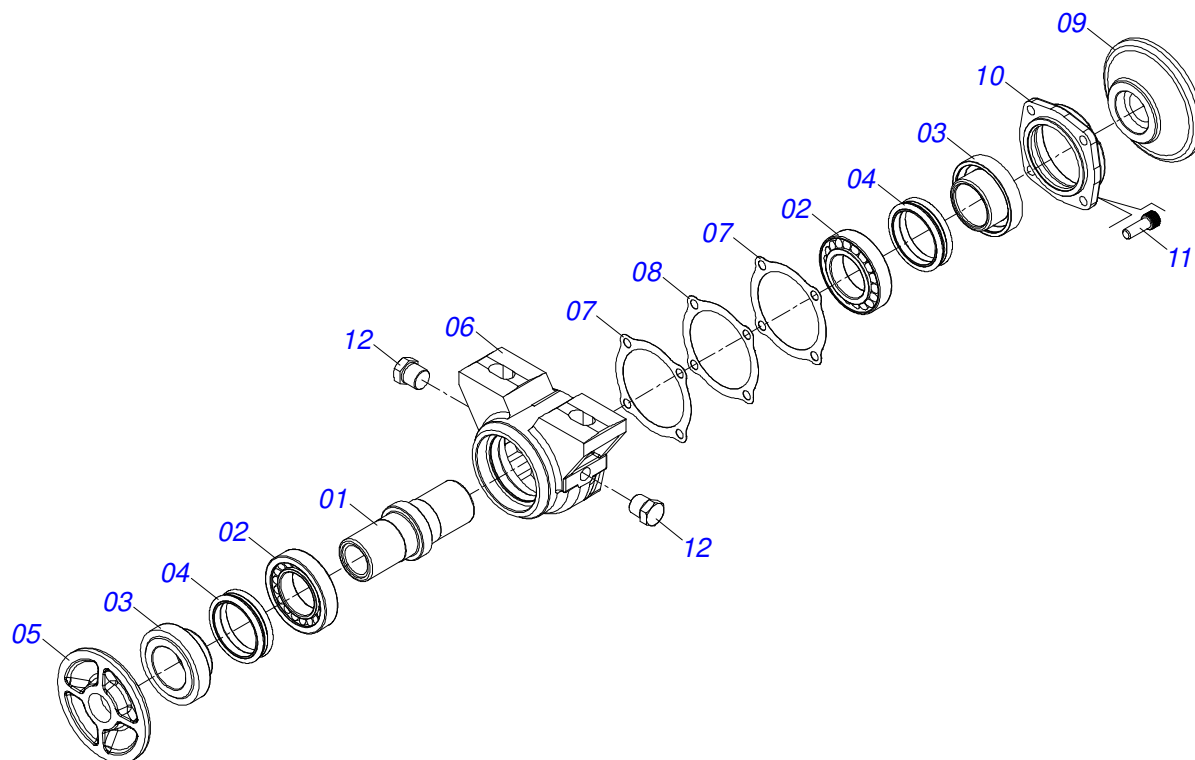
52D - FRONT AND REAR DISC SECTION



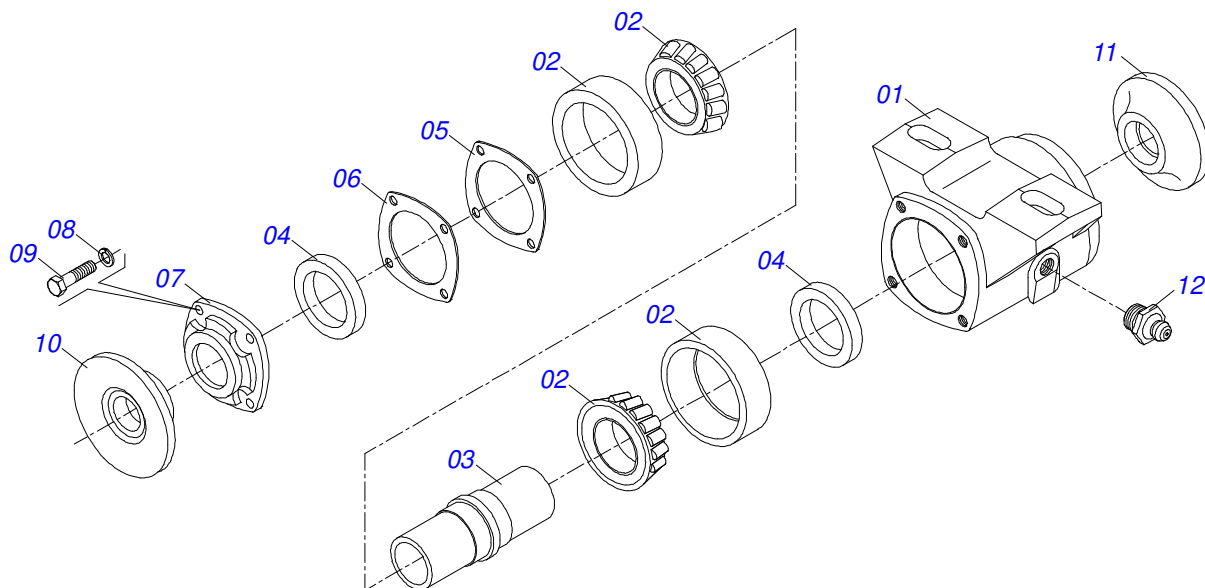
Item	Code	Description	See page	QT
01	0501042201	1.1/4" X 1090 AXLE WITH NUTS		04
01A	0501016649	1.1/4" X 1090 AXLE		01
01B	0501010087	1.1/4" NUT		02
02	0501042202	1-1/4" X 50" AXLE WITH NUTS		04
02A	0501016650	1-1/4" X 50" AXLE		01
02B	0501010087	1.1/4" NUT		02
03	0501010455	1.1/4" NUT LOCK		16
04	0502010834	1-1/4" INNER AXLE WASHER		08
05	0502010835	1-1/4" EXTERNAL AXLE WASHER		08
06	0503011082	C1/2" X 1.3/4" SCREW		16
07	0503010019	1/2" SPRING WASHER		16
08	0503010060	1/2 UNC G.5 ZN HEX NUT		16
09	0502010549	7.6" X 1-1/4" SPACER		20
10	0501046922	AGRICULTURAL BEARING DM OL 7 X 1.1/4 21 IMPLEMENT		16
11	0602029421	DR 22 X 4,5 C64AF02FR1.5/16 10R		26
12	0601029417	DL 22 X 4,5 C64AF02FR1.5/16		24
12.	0601027304	DL 20 X 4,5 C57AF02FR1.5/16		02
13	0501058802	5/8 UNC X 2.3/4 BOLT ASSY		32
13A	0503015154	5/8" X 2.3/4" BOLT		01
13B	0501010947	5/8 NUT LOCK		01
13C	0501012140	FLAT WASHER		01
13D	0503010013	5/8 NUT		02



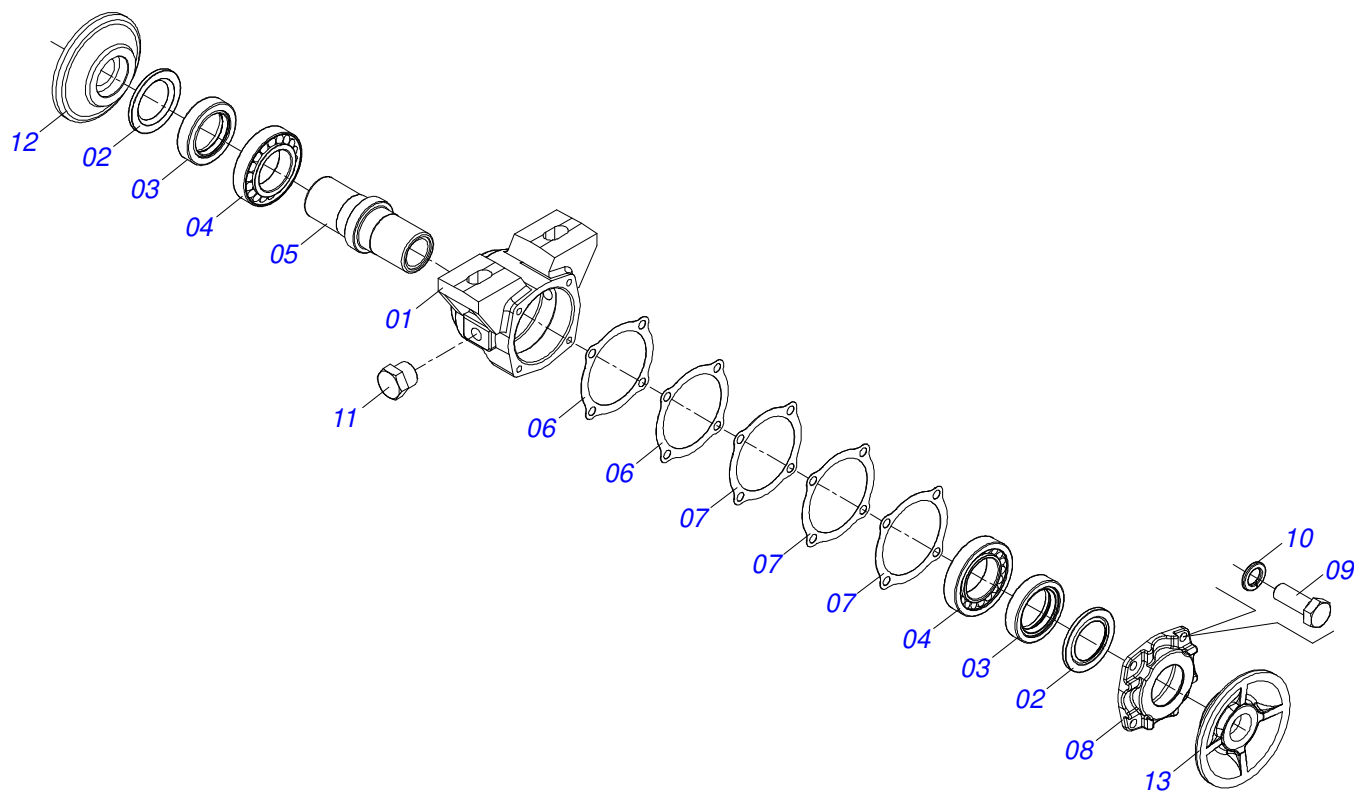
Item	Code	Description	See page	QT
01	0502010539	HOUSING DM		01
02	0503010111	30210 ROLLER BEARING		02
03	0502040218	AXLE		01
04	0503030013	4.4" X 3.5" X 0.004" JOINT		02
05	0503030684	4.4" X 3.5" X 0.004" JOINT		01
06	0502020424	HOUSING CAP		01
07	0503010134	3/8" X 1" BOLT		04
08	0503030026	SEAL LP JB-253		02
09	0502010541	SEAL RETAINER		02
10	0502010070	OUTER FLANGE		01
11	0502010071	INNER FLANGE		01
12	0503010856	OIL PLUG		01



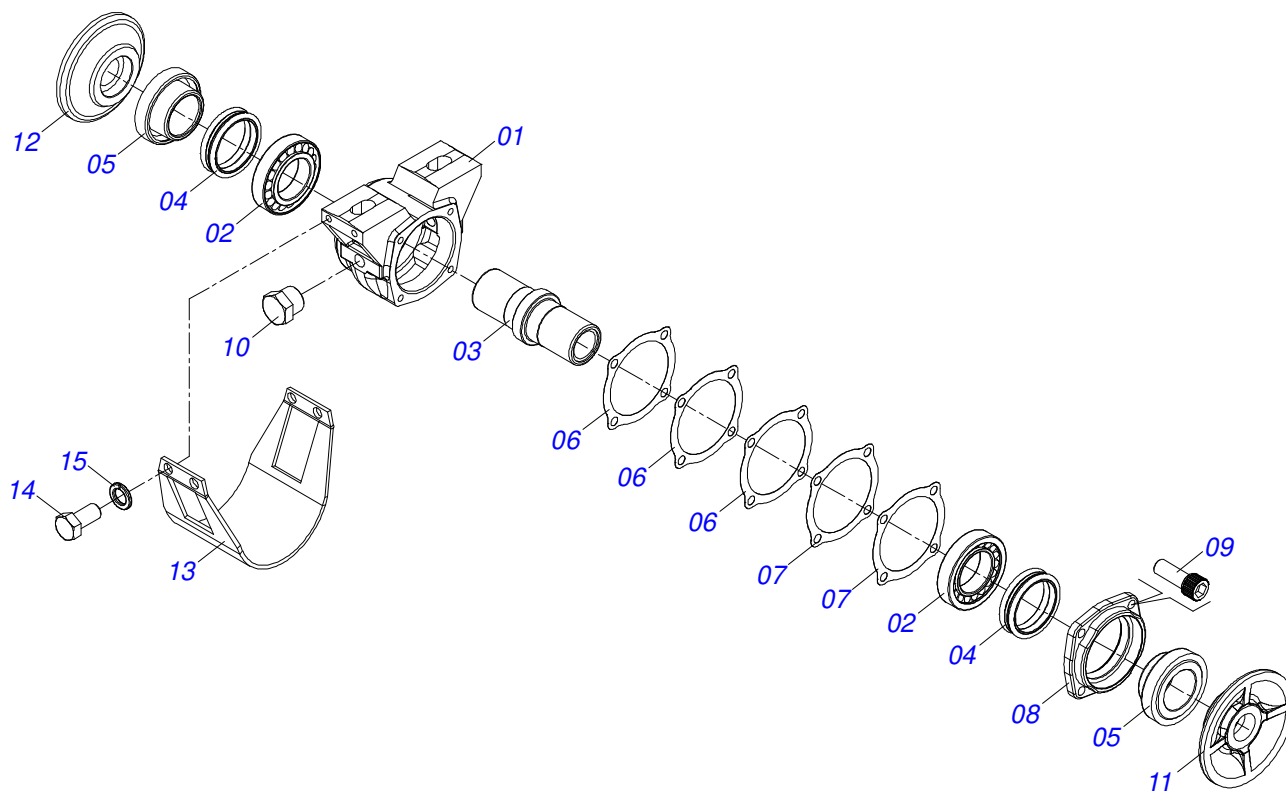
Item	Code	Description	See page	QT
01	0502040218	AXLE		01
02	0503010111	30210 ROLLER BEARING		02
03	0502010541	SEAL RETAINER		02
04	0503030026	SEAL LP JB-253		02
05	0502010071	INNER FLANGE		01
06	0502010540	HOUSING DM		01
07	0503030013	4.4" X 3.5" X 0.004" JOINT		02
08	0503030684	4.4" X 3.5" X 0.004" JOINT		01
09	0502010070	OUTER FLANGE		01
10	0502020424	HOUSING CAP		01
11	0503010134	3/8" X 1" BOLT		04
12	0503010856	OIL PLUG		02
13	3402301247	MINERAL OIL GREASE		0,11Lts



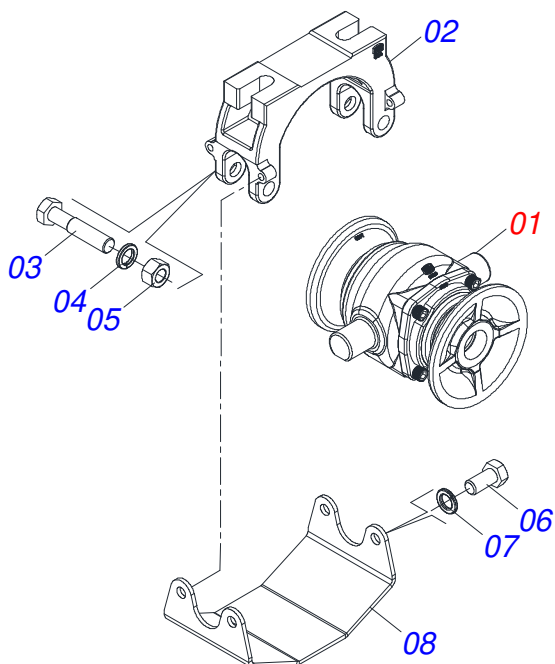
Item	Code	Description	See page	QT
01	0502020313	HOUSING CM		01
02	0503010111	30210 ROLLER BEARING		02
03	0502040218	AXLE		01
04	0503010468	SEAL 01199-GB		02
05	0503030013	4.4" X 3.5" X 0.004" JOINT		02
06	0503030684	4.4" X 3.5" X 0.004" JOINT		01
07	0502020273	HOUSING CAP CM		01
08	0503011443	3/8" SPRING WASHER		04
09	0503810237	3/8 UNC X 1 C S G.5 SA BOLT		04
10	0502010070	OUTER FLANGE		01
11	0502010071	INNER FLANGE		01
12	0503010002	1800 GREASE FITTING		01



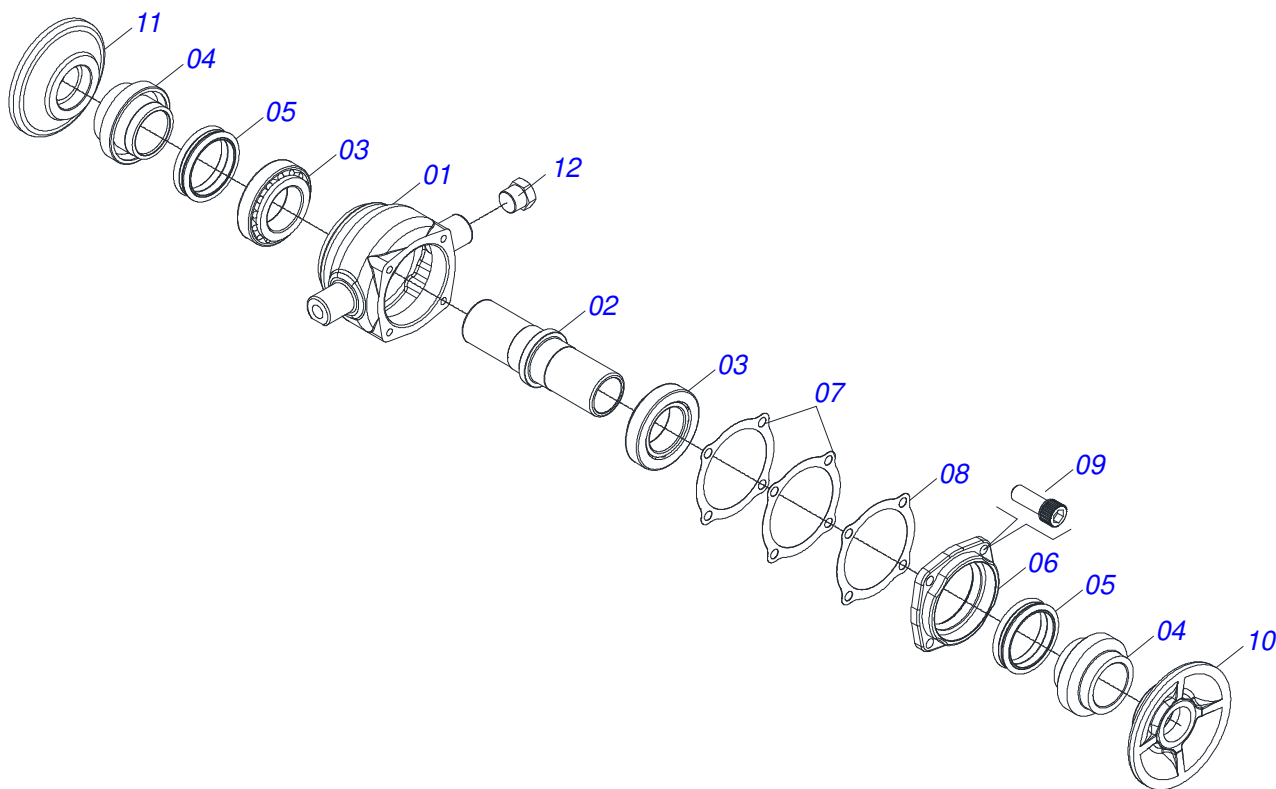
Item	Code	Description	See page	QT
01	0502020276	BOX		01
02	0503010467	RING		02
03	0503012166	RETAINER		02
04	0503010111	30210 ROLLER BEARING		02
05	0502040218	AXLE		01
06	0503030684	4.4" X 3.5" X 0.004" JOINT		02
07	0503030013	4.4" X 3.5" X 0.004" JOINT		03
08	0502020524	CARTON COVER		01
09	0503010237	3/8" X 1" BOLT		04
10	0503011443	3/8" SPRING WASHER		04
11	0503010856	OIL PLUG		02
12	0502010071	INNER FLANGE		01
13	0502010070	OUTER FLANGE		01
14	3402301247	MINERAL OIL GREASE		00



Item	Code	Description	See page	QT
01	0502011751	OIL HOUSING BEARING		01
02	0503013326	BEARING 30210 NAC		02
03	0502040218	AXLE		01
04	0503030026	SEAL LP JB-253		02
05	0502010541	SEAL RETAINER		02
06	0503030013	4.4" X 3.5" X 0.004" JOINT		03
07	0503030684	4.4" X 3.5" X 0.004" JOINT		02
08	0502020424	HOUSING CAP		01
09	0503010134	3/8" X 1" BOLT		04
10	0503010856	OIL PLUG		02
11	0502010070	OUTER FLANGE		01
12	0502010071	INNER FLANGE		01
13	0511010829	BEARING GUARD		01
14	0503011334	BOLT 3/8 UNC X 3/4 CS G.5 ZN		04
15	0503010025	3/8 SPRING WASHER		04
16	3402301247	MINERAL OIL GREASE		00



Item	Code	Description	See page	QT
01	0521050842	CHUMACERA 192,5 X 1.1/4 IMP	26	01
02	0502012854	BEARING SUPPORT		01
03	0501011541	5/8" X 3" BOLT		02
04	0503010027	5/8 SPRING WASHER		02
05	0503010013	5/8 NUT		02
06	0503011334	BOLT 3/8 UNC X 3/4 CS G.5 ZN		04
07	0503010025	3/8 SPRING WASHER		04
08	0581014143	SWIVEL OIL BATH BEARING WEAR PLATE		01



Item	Code	Description	See page	QT
01	0502012839	BEARING HOUSING		01
02	0502040060	AXLE CM/DM 182/192,5 SKF 32210		01
03	0503010006	32210 ROLLER BEARING		02
04	0502010541	SEAL RETAINER		02
05	0503030026	SEAL LP JB-253		02
06	0502020424	HOUSING CAP		01
07	0503030013	4.4" X 3.5" X 0.004" JOINT		02
08	0503030684	4.4" X 3.5" X 0.004" JOINT		01
09	0503010134	3/8" X 1" BOLT		04
10	0502010070	OUTER FLANGE		01
11	0502010071	INNER FLANGE		01
12	0503010856	OIL PLUG		02
13	3402301247	MINERAL OIL GREASE		00



MARCHESAN

Technical Publications | Elaboration and Revision

ALESSANDRA PATRICIA KAWAHARA CARRILI

www.marchesan.com.br

