

OFFSET DISK HARROW

GCRO 2240 (AXLE 1.5/8") RIGID 32-36-40-44-48 DISCS

Code: 0501091838
Series: S-0498
Revision: 00
Date Revision: FEVEREIRO/2018

PARTS CATALOGUE



MARCHESAN



PRODUCTS

Code	Description
0102560009	GCRO 2240 32 X 26 X 6,0 DM DR S0498
0102560007	GCRO 2240 32 X 28 X 6,0 DM DR S0498
0102560008	GCRO 2240 32 X 28 X 7,5 DM DR S0498
0102560011	GCRO 2240 32X26X6 DM MT ESPEC S0498
0102560010	GCRO 2240 32X28X6 DM MT ESPEC S-498
0102560012	GCRO 2240 32X28X7,5 DMMT ESPEC S498
0102560013	GCRO 2240 32X28X7,5DM DR ESPEC S498
0102560014	GCRO 2240 36 X 26 X 6,00 DM DR S498
0102560015	GCRO 2240 36 X 28 X 6,00 DM DR S498
0102560016	GCRO 2240 36 X 28 X 7,50 DM DR S498
0102560018	GCRO 2240 36X26X6 DR MT ESPEC S0498
0102560019	GCRO 2240 36X28X6 DM MT ESPEC S0498
0102560022	GCRO 2240 36X28X7,5 DM DR S-0498
0102560020	GCRO 2240 36X28X7,5 DMMT ESPEC S498
0102560023	GCRO 2240 36X30X7,5 DMDR ESPEC S498
0102560024	GCRO 2240 36X30X7,5 DMMT ESPEC S498
0102560028	GCRO 2240 40X26X6 DMMT ESPEC S-0498
0102560025	GCRO 2240 40X26X6,0 DM DR S-0498
0102560029	GCRO 2240 40X28X6 DMMT ESPEC S-0498
0102560026	GCRO 2240 40X28X6,00 DM DR S-0498
0102560030	GCRO 2240 40X28X7,5 DMMT ESPEC S498
0102560027	GCRO 2240 40X28X7,50 DM DR S-0498
0102560031	GCRO 2240 40X28X7,5DM DR ESPEC S498
0102560122	GCRO 2240 40X30X7,5 DMMT ESPEC S498
0102560137	GCRO 2240 44 X 28 X 7,50 DM ESPEC S-0498
0102560037	GCRO 2240 44X26X6 DMMT ESPEC S-0498
0102560033	GCRO 2240 44X26X6,00 DM DR S-0498
0102560039	GCRO 2240 44X28X6 DM DR ESPEC S498
0102560038	GCRO 2240 44X28X6 DMMT ESPEC S-0498
0102560034	GCRO 2240 44X28X6,00 DM DR S-0498

ATTENTION: IMPORTANT

Marchesan S.A. reserves the right to improve and/or modify the technical features of its products, without obligation to do the same with those products already sold and without prior knowledge of the dealer or the customer. The photos are only illustrative.



PRODUCTS

0102560040	GCRO 2240 44X28X7,5 DMMT ESPEC S498
0102560035	GCRO 2240 44X28X7,50 DM DR S-0498
0102560036	GCRO 2240 44X30X7,5 DMMT ESPEC S498
0102560226	GCRO 2240 48X26X6 DM DL C/PN ESPEC S-0498
0102560044	GCRO 2240 48X26X6 DMMT ESPEC S-0498
0102560041	GCRO 2240 48X26X6,00 DM DR S-0498
0102560046	GCRO 2240 48X28X6 DM DR ESPEC S498
0102560045	GCRO 2240 48X28X6 DMMT ESPEC S-0498
0102560042	GCRO 2240 48X28X6,00 DM DR S-0498
0102560043	GCRO 2240 48X28X7,5 DM DR S-0498
0102560048	GCRO 2240 48X28X7,5 DM DR S-0498
0102560047	GCRO 2240 48X28X7,5 DMMT ESPEC S498
0102560135	GCRO 2240 48X28X7,50 DM ESPEC S0498
0102560021	GCRO 2240 48X30X7,5DM MT ESPEC S498

ATTENTION: IMPORTANT

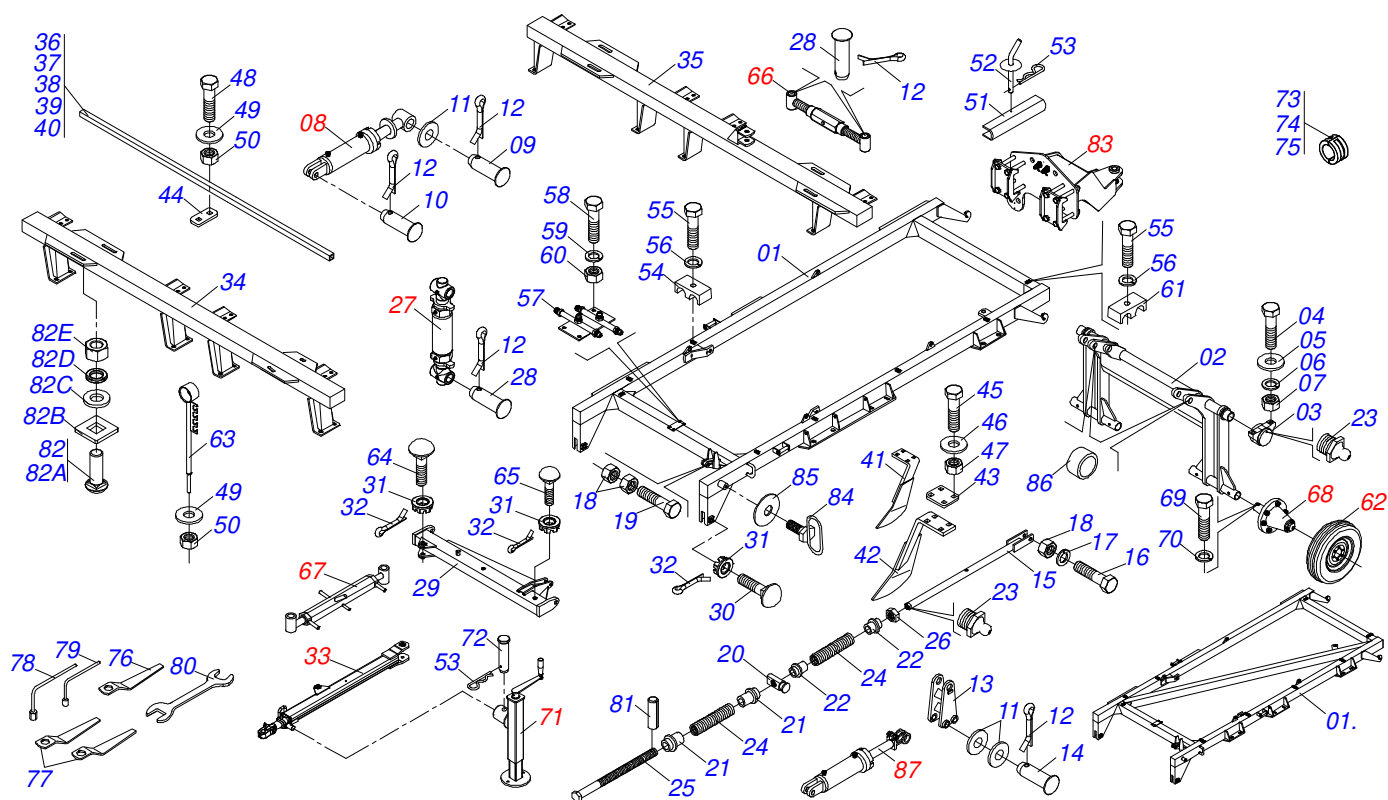
Marchesan S.A. reserves the right to improve and/or modify the technical features of its products, without obligation to do the same with those products already sold and without prior knowledge of the dealer or the customer. The photos are only illustrative.



MARCHESAN

INDEX

0909092430	32/36/40/44/48D - FRAME ASSY	1
0909092437	48D - BIPARTITE - FRAME ASSY	2
0511050166	50,80 X 101,60 X 561 X 251 HYDRAULIC CYLINDER	3
0501053304	R.13/4 TURNBUCKLE	4
0501048061	DRAWBAR ASSY	5
0503060414	WHEEL AND TIRE	6
0501052005	STABILIZER FOR GANG	7
0501051880	STABILITY FULL DRAWBAR	8
0501055263	CARRYING-WHEELS	9
0511048088	DRAWBAR JACK	10
0909092741	REAR COUPLING KIT	11
0909093706	32D FRONT DISC SECTION	12
0909093707	32D - DL REAR DISC SECTION	13
0909092439	36D FRONT DISC SECTION	14
0909092442	36D REAR DISC SECTION	15
0909092445	FRONT DISC SECTION - DR	16
0909092440	40D REAR DISC SECTION	17
0909093708	44D FRONT DISC SECTION	18
0909093709	44D REAR DISC SECTION	19
0909092448	48D FRONT DISC SECTION	20
0909092447	48D REAR DISC SECTION	21
0501048457	262MM X 1.5/8" RD OIL BATH BEARING	22
0511048375	DMO 262 EIX 1.5/8"MM BEARING COVER / SUPPORT	23
0909092450	32/36/40D - HYDRAULIC CIRCUIT	24
0909093713	44D - HYDRAULIC CIRCUIT	25
0909093714	48D - CIRCUIT HYDRAULIQUE	26
0909092451	48D - BIPARTITE CIRCUIT HYDRAULIQUE	27
0501056236	KIT CONTROL	28
0511043626	HYDRAULIC CYLINDER 44,45 X 76,20 X 415 X 100	29
0501053834	MALE QUICK COUPLER	30
0501053835	FEMALE QUICK COUPLER	31



Item	Code	Description	See page	032	036	040	044	048
01	0501069697	CENTER FRAME GCRO 2240 28 A 40		001	001	001	000	000
01.	0501069409	CENTER FRAME GCRO 2240 44 A 56		000	000	000	001	001
02	0511067337	CARRYING-WHEEL FIXATION SUPPORT		001	001	001	001	001
03	0502010972	ARTICULACION BEARING		002	002	002	002	002
04	0503011432	BOLT		004	004	004	004	004
05	0501010065	1" SPRING WASHER		004	004	004	004	004
06	0503010012	1" SPRING WASHER		004	004	004	004	004
07	0501010059	1.5/8 NUT		004	004	004	004	004
08	0511050166	50,80 X 101,60 X 561 X 251 HYDRAULIC CYLINDER 3		002	002	002	002	002
09	0521010547	1.2" X 6.5" COUPLING SHAFT		002	002	002	002	002
10	0521012538	1.2" X 3.5" COUPLING SHAFT		002	002	002	002	002
11	0501017779	32 X 60 X 4.75 FLAT WASHER		004	004	004	004	004
12	0503010523	1/4" X 2" SPLIT PIN		008	008	008	008	008
13	0501064760	ROCKER ARM		001	001	001	001	001
14	0521010544	1.2" X 4.9" COUPLING SHAFT		001	001	001	001	001
15	0501069688	1475 ADJUSTMENT BAR		001	001	001	000	000
15.	0501069687	1895 ADJUSTMENT BAR		000	000	000	001	001
16	0501011106	1-1/4" X 7" SCREW		001	001	001	001	001
17	0503010070	SPRING WASHER		001	001	001	001	001
18	0501010087	1.1/4" NUT		003	003	003	003	003
19	0503012192	1-1/4" X 8 BOLT		001	001	001	001	001
20	0551012054	GUIDE		001	001	001	001	001
21	0551012050	SLEEVE 39 X 47,20 X 80 X 95		002	002	002	002	002
22	0551012051	SLEEVE 39 X 47,20 X 80 X 55		002	002	002	002	002
23	0503010002	1800 GREASE FITTING		003	003	003	003	003
24	0503030541	3.4" X 8.0" X 0.8" SPRING		002	002	002	002	002
25	0501069398	CRANK		001	001	001	001	001
26	0521011696	1.1/2" LEFT 38 NUT		002	002	002	002	002
27	0501053304	R.13/4 TURNBUCKLE	4	001	001	001	001	001
28	0521010546	1.2" X 5.7" COUPLING SHAFT		003	003	003	003	003
29	0501069411	OFFSET BAR		001	001	001	001	001

**GCRO 2240 (AXLE 1.5/8") RIGID 32-36-40-44-48 DISCS****32/36/40/44/48D - FRAME ASSY**

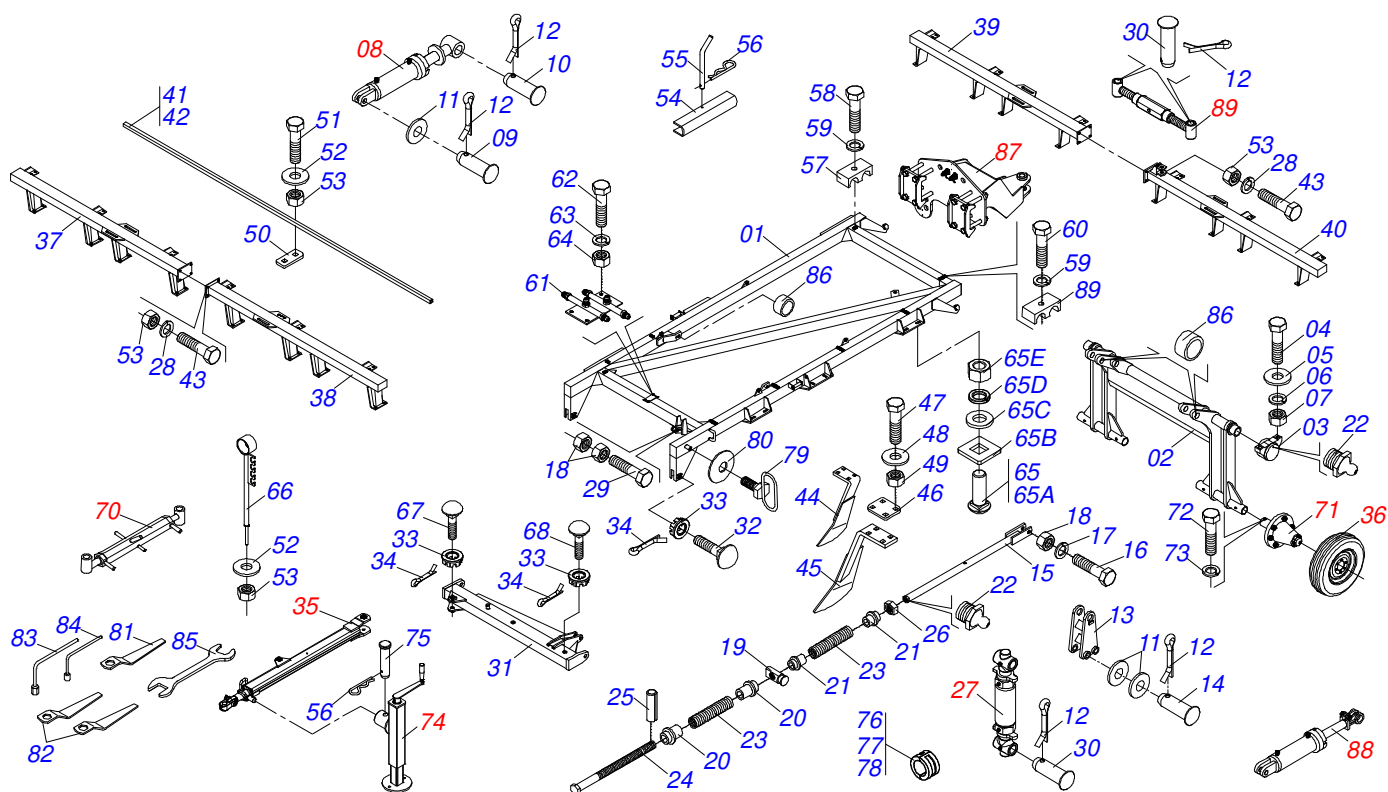
0909092430

Item	Code	Description	See page	032	036	040	044	048
30	0521012052	1.5" X 6.7" PIVOT SHAFT		002	002	002	002	002
31	0501011301	1.1/2 UNC 6FPP 2.5/16 NUT		006	006	006	006	006
32	0503010010	1/4" X 2.1/2" COTTERPIN		006	006	006	006	006
33	0501048061	DRAWBAR ASSY	5	001	001	001	001	001
34	0501069674	168.3" FRONT FRAME		001	000	000	000	000
34.	0511069698	FRONT FRAME		000	001	000	000	000
34..	0501069678	210.8" FRONT FRAME		000	000	001	000	000
34...	0501069680	232.08" FRONT FRAME		000	000	000	001	000
34....	0501069842	253.34" FRONT FRAME		000	000	000	000	001
35	0501069675	168" REAR FRAME		001	000	000	000	000
35.	0511069699	REAR FRAME		000	001	000	000	000
35..	0501069679	210" REAR FRAME		000	000	001	000	000
35...	0501069681	232" REAR FRAME		000	000	000	001	000
35....	0501069843	253" REAR FRAME		000	000	000	000	001
36	0521011925	167.3" SCRAPER TUBE		001	000	000	000	000
36.	0521011926	177.9" SCRAPER TUBE		001	000	000	000	000
37	0521011927	188.6" SCRAPER TUBE		000	001	000	000	000
37.	0521011928	199.2" SCRAPER TUBE		000	001	000	000	000
38	0521012754	103.2" SCRAPER TUBE		000	000	003	000	000
38.	0521012755	113,8" SCRAPER TUBE		000	000	001	003	000
39	0521012756	124.4" SCRAPER TUBE		000	000	000	001	003
40	0521012764	135" SCRAPER TUBE		000	000	000	000	001
41	0501069413	FRONT SCRAPER GCRO		016	018	020	022	024
42	0501069414	REAR SCRAPER GCRO		017	019	021	023	024
43	0521011774	FIXER PLATE CLEANER		033	037	041	045	048
44	0521011566	FIXER PLATE TUBE CLEANER		008	008	012	012	012
45	0503012110	1/2" X 3-3/4" BOLT		132	148	164	176	192
46	0511017302	FLAT WASHER 13,50 X 32,50 X 3,0 ZN		132	148	164	176	192
47	0503010060	1/2 UNC G.5 ZN HEX NUT		136	152	164	181	193
48	0501010162	3/4" X 4" BOLT		016	016	024	024	024
49	0501010322	FLAT WASHER		016	016	024	024	024
50	0503010014	3/4" HEX NUT		016	016	024	024	024
51	0551010280	253 TRANSPORT LOCK		002	002	002	002	002
52	0501068994	8,30 X 78 LOCK PIN		002	002	002	002	002
53	0503030168	HITCH PIN CLIP		003	003	003	003	003
54	0502012702	BODY SUPPORT CLAMP		008	008	008	014	014
55	0503012555	SCREW 7/16 UNC X 2 CS RT G.7 ZN		008	008	008	014	014
56	0503010180	7/16" SPRING WASHER		008	008	008	014	014
57	0501069686	DOUBLE CONNECTION		001	001	001	001	001
58	0503010237	3/8" X 1" BOLT		004	004	004	004	004
59	0503010025	3/8 SPRING WASHER		004	004	004	004	004
60	0503010026	3/8" NUT		004	004	004	004	004
61	0531011180	UPPER BODY CLIP		004	004	004	004	004
62	0503060414	WHEEL AND TIRE	6	000	000	000	004	004
63	0521062849	HOSE HOLDER ASSY		001	001	001	001	001
64	0521012053	1.5" X 8.6" AXLE		002	002	002	002	002
65	0531018044	1.5" X 11" COUPLING SHAFT		001	001	001	001	001
66	0501052005	STABILIZER FOR GANG	7	001	001	001	001	001
67	0501051880	STABILITY FULL DRAWBAR	8	001	001	001	001	001
68	0501055263	CARRYING-WHEELS	9	004	004	004	004	004
69	0503010547	1/2" X 4" BOLT		004	004	004	004	004
70	0503010019	1/2" SPRING WASHER		004	004	004	004	004
71	0511048088	DRAWBAR JACK	10	001	001	001	001	001
72	0561014251	COUPLING SHAFT		001	001	001	001	001
73	0501047885	30 ROD STOP		002	002	002	002	002
74	0501047887	40 ROD STOP		002	002	002	002	002
75	0501047895	25 ROD STOP		004	004	004	004	004
76	0501011432	1-1/2" AND 1-5/8 GANG BOLT WRENCH		001	001	001	001	001
77	0501011431	1-3/4" GANG BOLT WRENCH		002	002	002	002	002

**GCRO 2240 (AXLE 1.5/8") RIGID 32-36-40-44-48 DISCS****32/36/40/44/48D - FRAME ASSY**

0909092430

Item	Code	Description	See page	032	036	040	044	048
78	0503016140	3/4" WRENCH CABLE CYLINDRICAL		001	001	001	001	001
79	0503016137	1-1/4" WRENCH CABLE CYLINDER		001	001	001	001	001
80	0541015451	FIXED KEY 2.3/8 X 2.3/4		001	001	001	001	001
81	0503010292	701164 6 X 40 SPRING PIN		001	001	001	001	001
82	0501041102	1-1/4" X 3-3/4" ASSY BOLT		008	008	008	008	008
82A	0501015348	1-1/4" X 3-3/4" BOLT		008	008	008	008	008
82B	0501010953	1-1/4" SQUARE WASHER		008	008	008	008	008
82C	0531010713	FLAT WASHER		008	008	008	008	008
82D	0503010070	SPRING WASHER		008	008	008	008	008
82E	0501010087	1.1/4" NUT		008	008	008	008	008
83	0909092741	REAR COUPLING KIT	11	001	001	001	001	001
84	0501069343	WRENCH FIXER		001	001	001	001	001
85	0521011722	FLAT WASHER		001	001	001	001	001
86	0511019920	SLEEVE 32,70 X 38,80 X 25,40		004	004	004	004	004
87	0501056236	KIT CONTROL	28	001	001	001	001	001



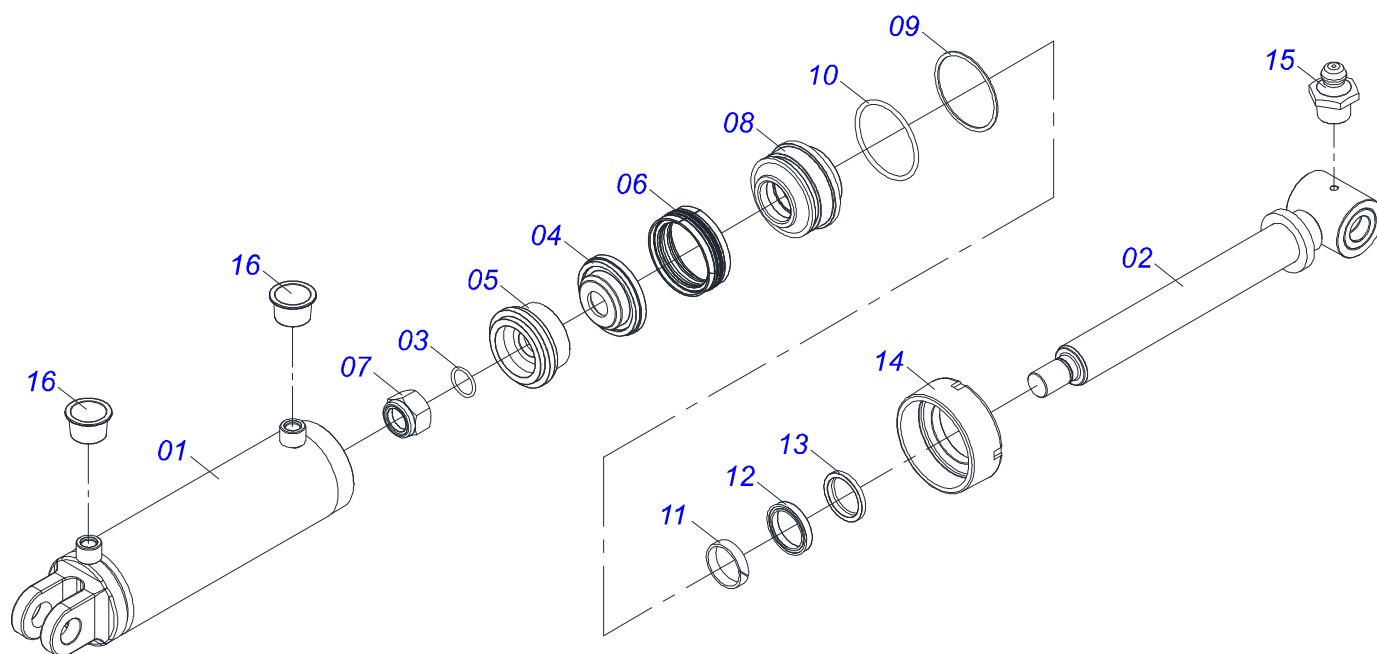
Item	Code	Description	See page	QT
001	0501069409	CENTER FRAME GCRO 2240 44 A 56		01
002	0511067337	CARRYING-WHEEL FIXATION SUPPORT		01
003	0502010972	ARTICULACION BEARING		02
004	0503011432	BOLT		04
005	0501010065	1" SPRING WASHER		04
006	0503010012	1" SPRING WASHER		04
007	0501010059	1.5/8 NUT		04
008	0511050166	50,80 X 101,60 X 561 X 251 HYDRAULIC CYLINDER	3	02
009	0521012538	1.2" X 3.5" COUPLING SHAFT		02
010	0521812052	PIVOT SHAFT		02
011	0501017779	32 X 60 X 4.75 FLAT WASHER		06
012	0503010523	1/4" X 2" SPLIT PIN		04
013	0501064760	ROCKER ARM		01
014	0521010544	1.2" X 4.9" COUPLING SHAFT		01
015	0501069687	1895 ADJUSTMENT BAR		01
016	0501011106	1-1/4" X 7" SCREW		01
017	0503010070	SPRING WASHER		01
018	0501010087	1.1/4" NUT		11
019	0551012054	GUIDE		01
020	0551012050	SLEEVE 39 X 47,20 X 80 X 95		02
021	0551012051	SLEEVE 39 X 47,20 X 80 X 55		02
022	0503010002	1800 GREASE FITTING		03
023	0503030541	3.4" X 8.0" X 0.8" SPRING		02
024	0501069398	CRANK		01
025	0503010292	701164 6 X 40 SPRING PIN		04
026	0521011696	1.1/2" LEFT 38 NUT		02
027	0501053304	R.13/4 TURNBUCKLE	4	01
028	0503010023	3/4" SPRING WASHER		02
029	0503012192	1-1/4" X 8 BOLT		01
030	0521010546	1.2" X 5.7" COUPLING SHAFT		03
031	0501069411	OFFSET BAR		01



Item	Code	Description	See page	QT
032	0521012052	1.5" X 6.7" PIVOT SHAFT		02
033	0501011301	1.1/2 UNC 6FPP 2.5/16 NUT		05
034	0503010010	1/4" X 2.1/2" COTTERPIN		05
035	0501048061	DRAWBAR ASSY	5	01
036	0503060414	WHEEL AND TIRE	6	04
037	0501069682	RIGHT FRONT FRAME		01
037.	0511068968			01
038	0501069683	LEFT FRONT FRAME		01
038.	0511068969			01
039	0501069717	RIGHT REAR FRAME		01
039.	0511068970	RIGHT REAR FRAME		01
040	0501069718	LEFT REAR FRAME		01
040.	0511068971	LEFT REAR FRAME		01
041	0521012756	124.4" SCRAPER TUBE		03
042	0521012764	135" SCRAPER TUBE		01
043	0501018059	3/4" X 2-1/4" BOLT		08
044	0501069413	FRONT SCRAPER GCRO		24
045	0501069414	REAR SCRAPER GCRO		25
046	0521011774	FIXER PLATE CLEANER		48
047	0503012110	1/2" X 3-3/4" BOLT		192
048	0511017302	FLAT WASHER 13,50 X 32,50 X 3,0 ZN		192
049	0503010060	1/2 UNC G.5 ZN HEX NUT		193
050	0521011566	FIXER PLATE TUBE CLEANER		12
051	0501010162	3/4" X 4" BOLT		24
052	0501010322	FLAT WASHER		24
053	0503010014	3/4" HEX NUT		34
054	0551010280	253 TRANSPORT LOCK		02
055	0541016844	FIXER LOCK		02
056	0503030168	HITCH PIN CLIP		03
057	0502012702	BODY SUPPORT CLAMP		18
058	0503012555	SCREW 7/16 UNC X 2 CS RT G.7 ZN		06
059	0503010180	7/16" SPRING WASHER		08
060	0503010850	BOLT 7/16 UNC X 3 CS G.5 ZN		02
061	0501069686	DOUBLE CONNECTION		01
062	0503010237	3/8" X 1" BOLT		04
063	0503010025	3/8 SPRING WASHER		04
064	0503010026	3/8" NUT		04
065	0501041102	1-1/4" X 3-3/4" ASSY BOLT		08
065A	0501015348	1-1/4" X 3-3/4" BOLT		01
065B	0501010953	1-1/4" SQUARE WASHER		01
065C	0531010713	FLAT WASHER		01
065D	0503010070	SPRING WASHER		01
065E	0501010087	1.1/4" NUT		01
066	0521062849	HOSE HOLDER ASSY		01
067	0521012053	1.5" X 8.6" AXLE		02
068	0531018044	1.5" X 11" COUPLING SHAFT		01
069	0501052005	STABILIZER FOR GANG	7	01
070	0501051880	STABILITY FULL DRAWBAR	8	01
071	0501055263	CARRYING-WHEELS	9	04
072	0503010547	1/2" X 4" BOLT		04
073	0503010019	1/2" SPRING WASHER		04
074	0511048088	DRAWBAR JACK	10	01
075	0561014251	COUPLING SHAFT		01
076	0501047885	30 ROD STOP		02
077	0501047887	40 ROD STOP		02
078	0501047895	25 ROD STOP		04
079	0501069343	WRENCH FIXER		01
080	0521011722	FLAT WASHER		01
081	0501011432	1-1/2" AND 1-5/8 GANG BOLT WRENCH		01

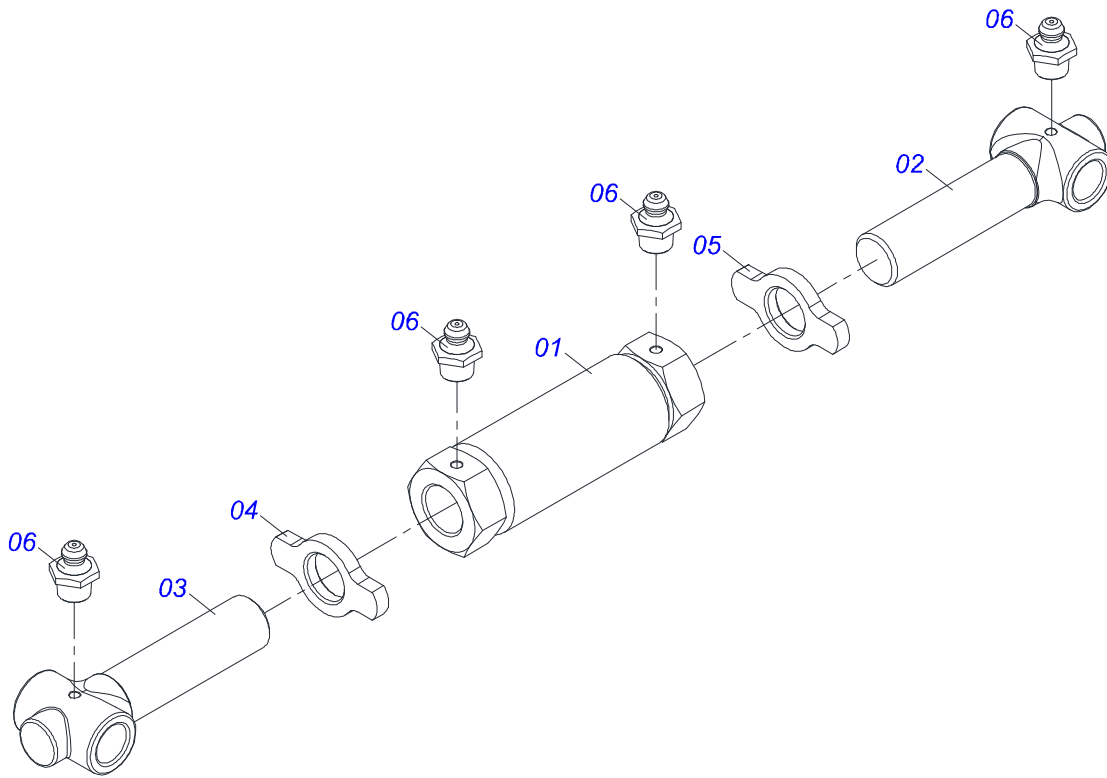


Item	Code	Description	See page	QT
082	0501011431	1-3/4" GANG BOLT WRENCH		02
083	0503016140	3/4" WRENCH CABLE CYLINDRICAL		01
084	0503016137	1-1/4" WRENCH CABLE CYLINDER		01
085	0541015451	FIXED KEY 2.3/8 X 2.3/4		01
086	0511019920	SLEEVE 32,70 X 38,80 X 25,40		05
087	0909092741	REAR COUPLING KIT	11	01
088	0501056236	KIT CONTROL	28	01
089	0531011180	UPPER BODY CLIP		04



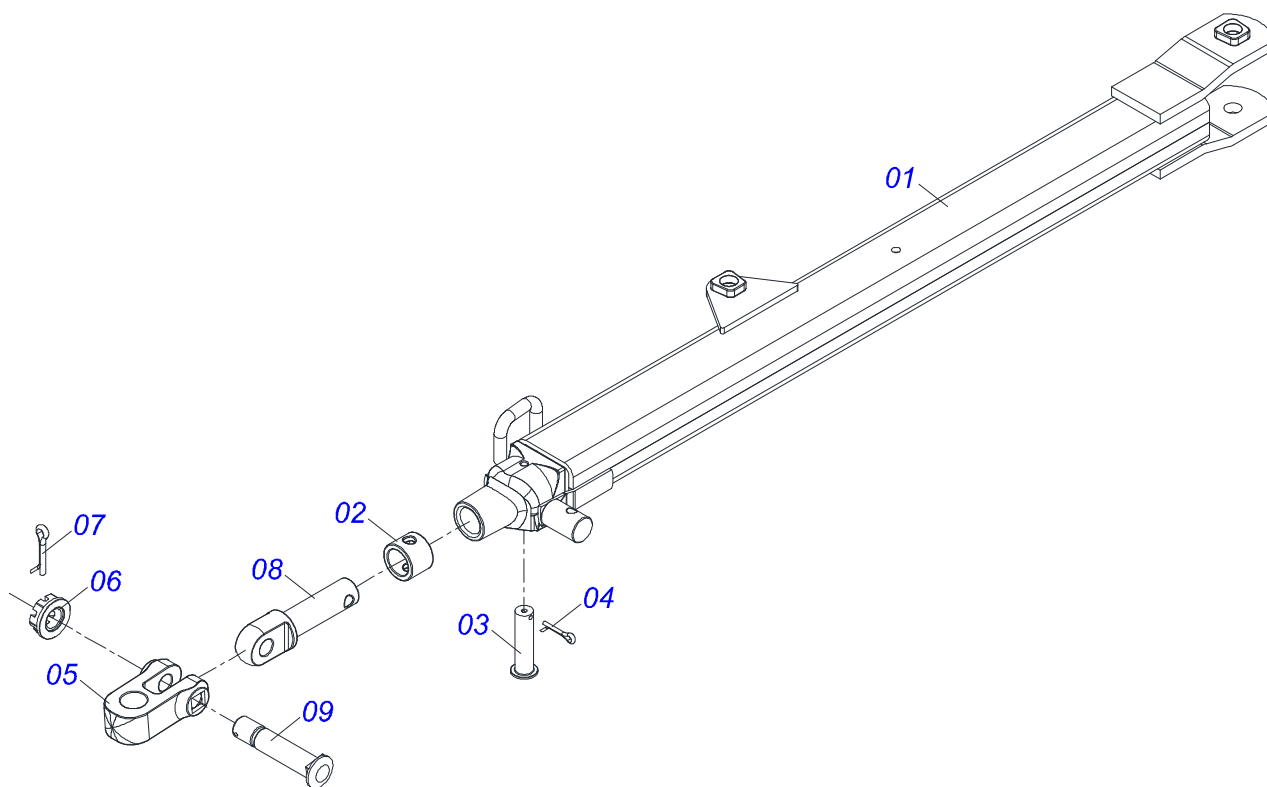
Item	Code	Description	See page	QT
01	0511066220	101,60 X 369 CYLINDER CASE		01
02	0511067445	50,8 X 452,5 TURNBUCLE		01
03	0503010345	2-218 N 3006-9B O'RING		01
04	0561016389	PISTON BODY		01
05	0561016387	PISTON BODY		01
06	0503015633	SELEMASTER SEALING		01
07	0503010817	1.1/4" SELF LOCKING NUT		01
08	0502012642	SUPPORT OF THE RINGS		01
09	0503011061	8-342 BACK-UP RING		01
10	0503010338	2-342 N 3006-9B O'RING		01
11	0503015634	RING SLYDRING		01
12	0503015635	U-CUP SEAL		01
13	0503015636	SCRAPER SEAL		01
14	0502010017	4" LID		01
15	0503010002	1800 GREASE FITTING		01
16	0503030384	CON PLUG N-001		02
17	0501039361R	REPAIR KIT		01

R.13/4 TURNBUCKLE

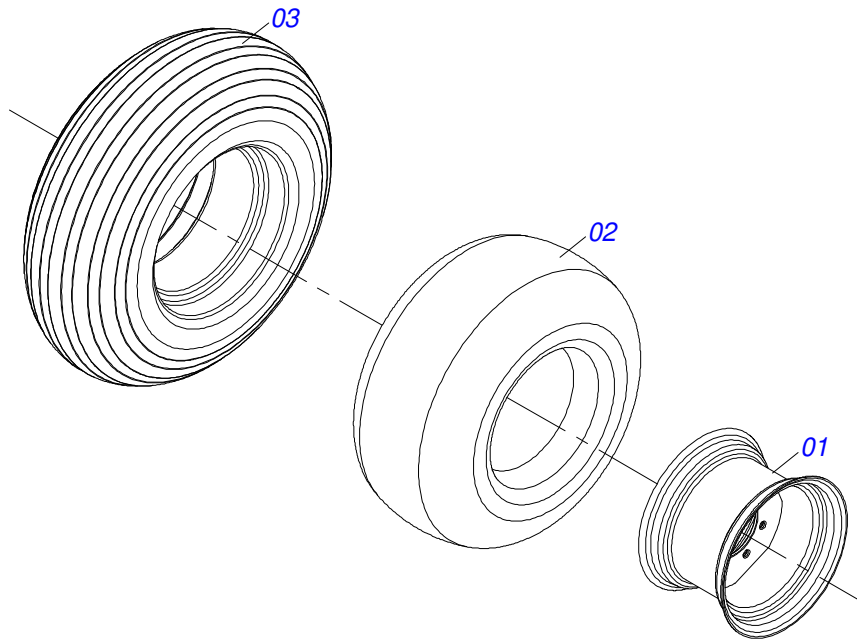


Item	Code	Description	See page	QT
01	0511062188	R1.3/4" UN ADJUSTMENT NUT		01
02	0502040568	R.1-3/4 TURNBUCKLE		01
03	0502040570	REGULATOR SPINDLE		01
04	0551010782	RIGHT LOCKNUT		01
05	0551010993	LEFT LOCKNUT		01
06	0503010002	1800 GREASE FITTING		04

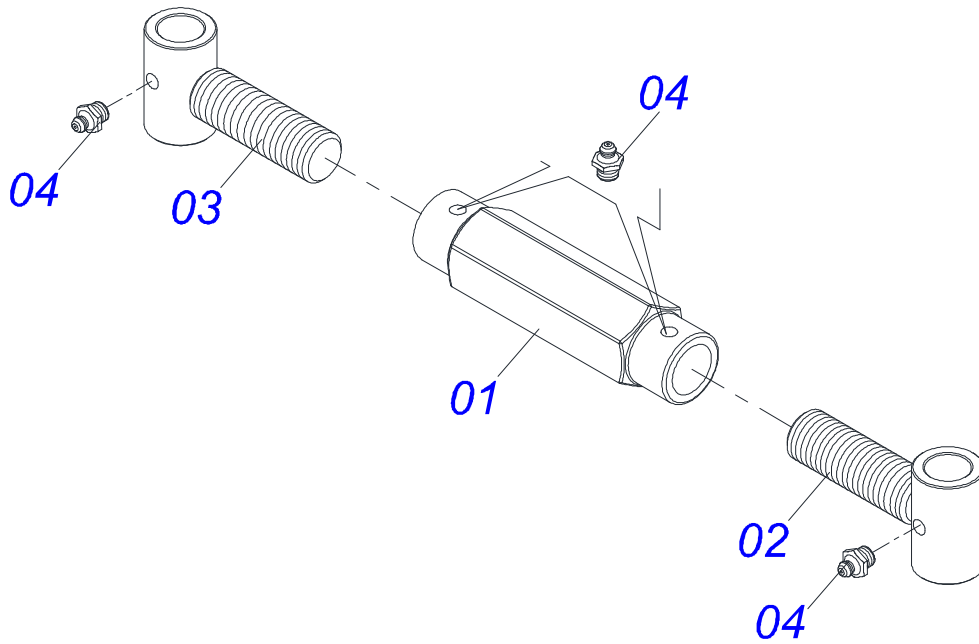
DRAWBAR ASSY



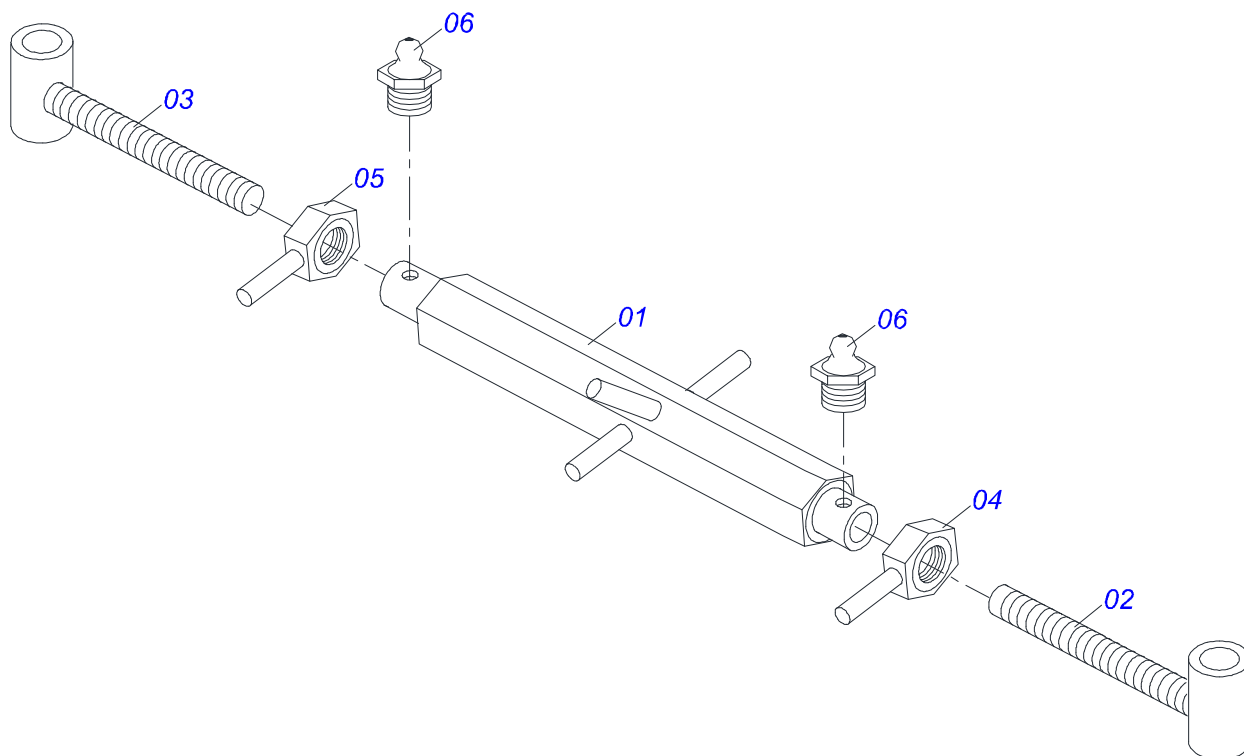
Item	Code	Description	See page	QT
001	0501069412	DRAWBAR ASSY		01
002	0502040327	HITCH LOCK RING		01
003	0511014902	COUPLING SHAFT		01
004	0503010571	1/4" X 1.1/2 COTTERPIN		01
005	1902040733	U COUPLING HOOK		01
006	0501011301	1.1/2 UNC 6FPP 2.5/16 NUT		01
007	0503010010	1/4" X 2.1/2" COTTERPIN		01
008	0502040727	COUPLING SHAFT		01
009	0521012545	COUPLING SHAFT		01



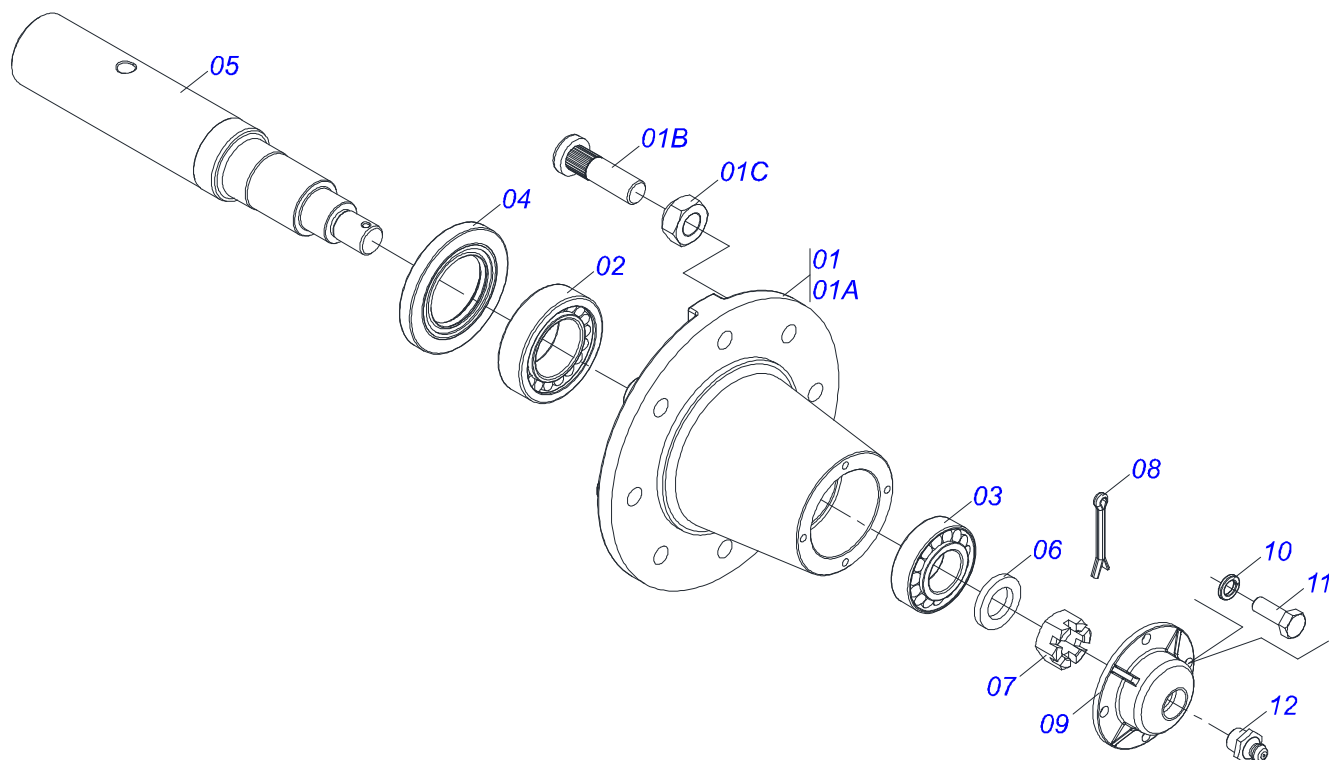
Item	Code	Description	See page	QT
01	0503012108	WHEEL 10 LB X 15 X 8F X 203		01
02	0503010860	AIR CHAMBER 11L 15		01
03	0503011469	RIB TIRE BL - 12L		01



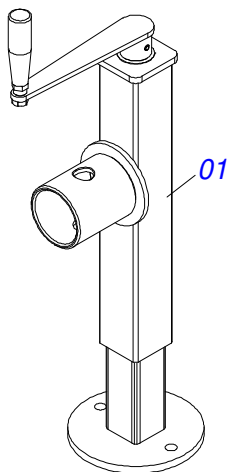
Item	Code	Description	See page	QT
01	0502011469	245 ADJUSTMENT NUT		01
02	0501069416	JACKET		01
03	0501069417	JACK CRANK		01
04	0503010002	1800 GREASE FITTING		04



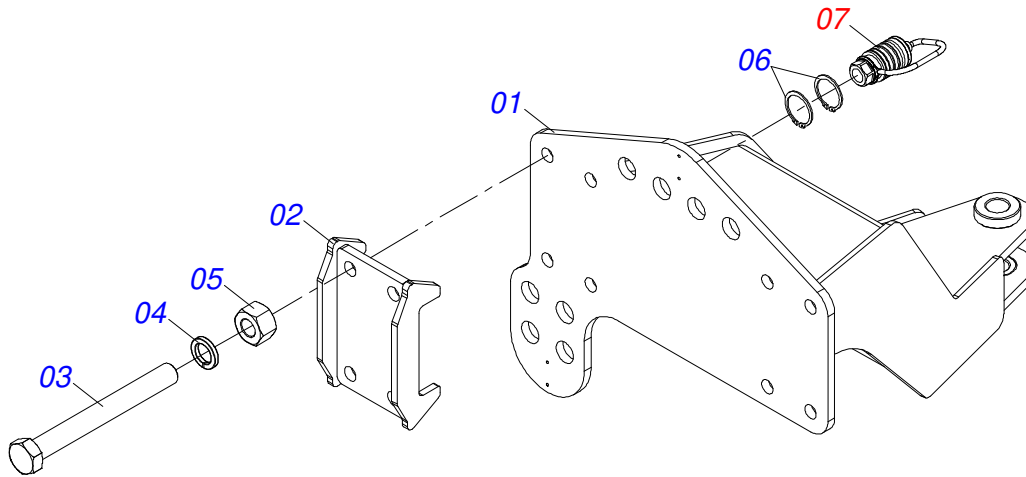
Item	Code	Description	See page	QT
01	0501069443	DRAWBAR TURNBUCKLE		01
02	0501069399	JACKET		01
03	0501069400	JACK CRANK		01
04	0501069330	LOCKNUT WITH RIGHT HANDLER R 2-1/8		01
05	0501069331	LOCKNUT WITH LEFT HANDLER R 2-1/8		01
06	0503010002	1800 GREASE FITTING		02



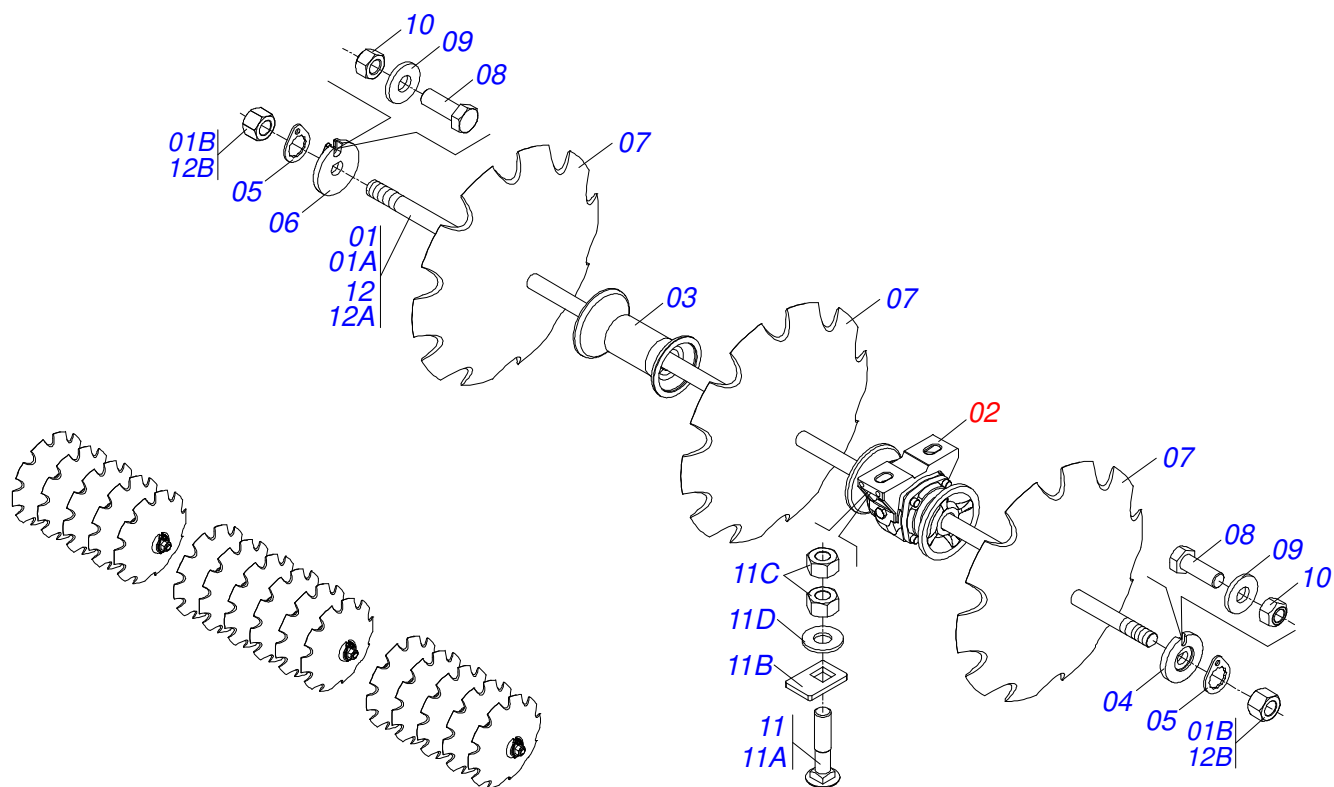
Item	Code	Description	See page	QT
01	0501110738	CARRYING WHEEL HUB	01	01
01A	0502012260	TRANSPORT WHEEL BOX	01	01
01B	0501010186	WHEEL SCREW 5/8UNF X 2.1/8CR	08	08
01C	0503010064	5/8 UNF CONIC NUT	08	08
02	0503010008	3780/3720 ROLLER BEARING	01	01
03	0503014821	ROLLER BEARING	01	01
04	0503013314	RETAINER 5166-GB 63,5 X 110 X 13 ARCA	01	01
05	0511012494	SPINDLE	01	01
06	0511012492	FLAT WASHER	01	01
07	0503030009	1" CASTLE NUT	01	01
08	0503010018	5/32 X 1-1/2 COTTERPIN	01	01
09	0502020591	PROTECCION COVER	01	01
10	0503011444	SPRING WASHER	04	04
11	0503010358	5/16" X 5/8" BOLT	04	04
12	0503010002	1800 GREASE FITTING	01	01



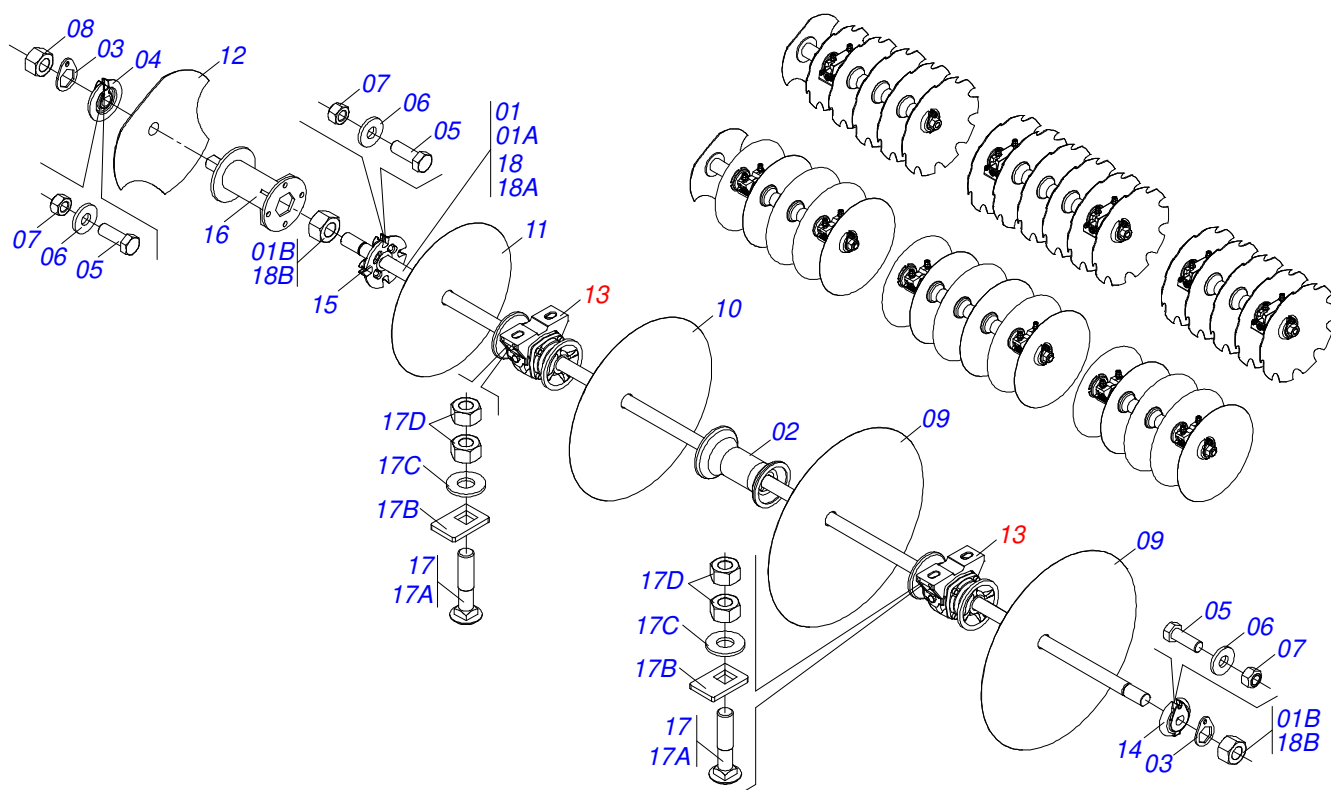
Item	Code	Description	See page	QT
01	0503062227	DRAWBAR JACK		01



Item	Code	Description	See page	QT
01	0521065966	REAR HITCH		01
02	0521065965	FIXER CLAW		02
03	0501010064	1" X 9" BOLT		08
04	0503010012	1" SPRING WASHER		08
05	0501010059	1.5/8 NUT		08
06	0503010217	501040 CLAMPING RING (FOR AXLE)		04
07	0501053835	FEMALE QUICK COUPLER	31	02



Item	Code	Description	See page	QT
01	0501046856	1-5/8" X 59" AXLE WITH NUTS 2-3/4		01
01A	0501019012	1-5/8" X 59" AXLE		01
01B	0502040640	1.5/8" 2.3/4" NUT		02
02	0501048457	262MM X 1.5/8" RD OIL BATH BEARING	22	06
02.	0511048375	DMO 262 EIX 1.5/8"MM BEARING COVER / SUPPORT	23	06
03	0502010703	10.35" 1-5/8" SPACER		07
04	0502011048	1-5/8" EXTERNAL AXLE WASHER		03
05	0511014339	1-5/8" 2.8" NUT LOCK		06
06	0502011047	1-5/8" INNER AXLE WASHER		03
07	0602037004	28" X 0.2" NOTCHED DISC BLADE		16
07.	0602037006	DR28X7,5 C102AF04FR1.11/16 10R TATU		16
07..	0602033005	26" X 0.2" NOTCHED DISC BLADE		16
08	0503011267	5/8 UNC X 1.1/2 C S G.5 ZN BOLT		06
09	0501012140	FLAT WASHER		06
10	0503010013	5/8 NUT		06
11	0511040468	3/4" X 4" BOLT ASSY		12
11A	0501010162	3/4" X 4" BOLT		12
11B	0501010949	3/4" SQUARE WASHER		12
11C	0503010014	3/4" HEX NUT		24
11D	0501010322	FLAT WASHER		12
12	0501046854	1-5/8" X 48" AXLE WITH NUTS 2-3/4		02
12A	0501019016	1-5/8 X 48" AXLE		02
12B	0502040640	1.5/8" 2.3/4" NUT		04



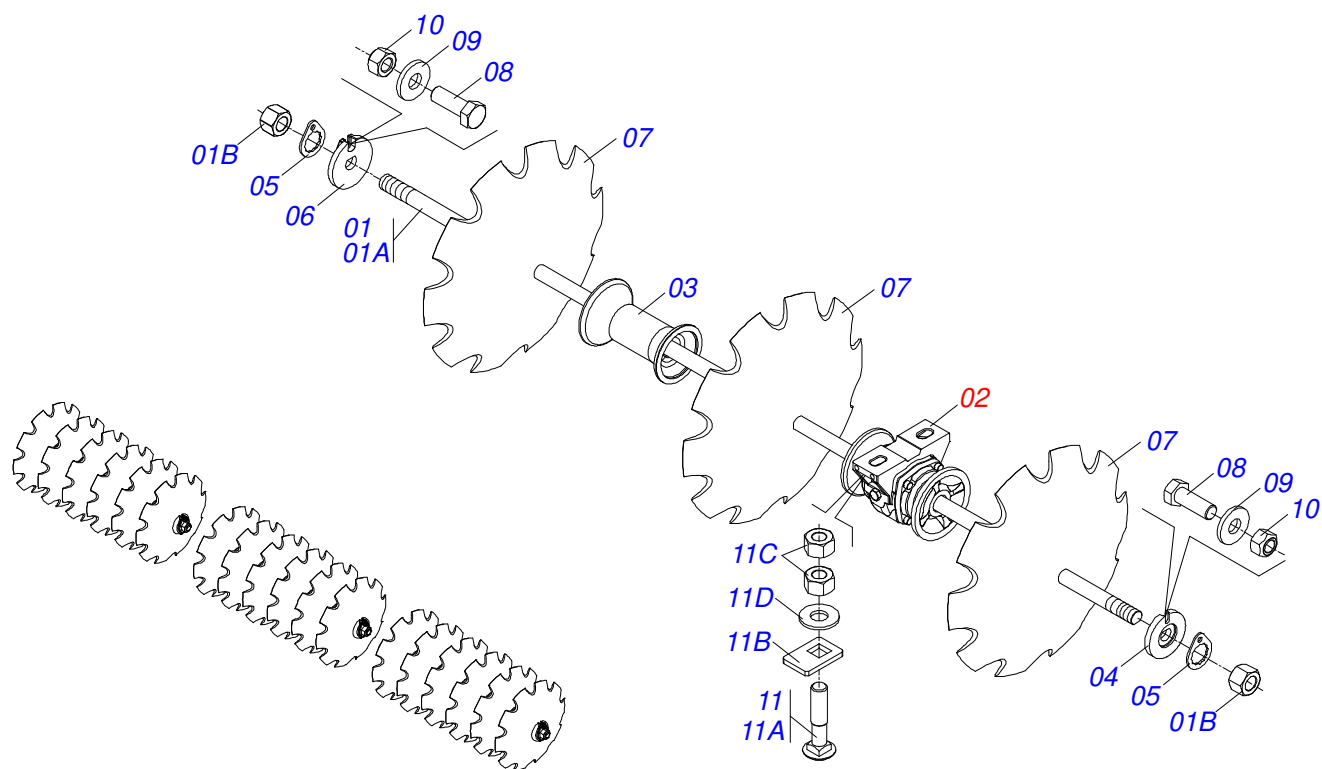
Item	Code	Description	See page	QT
01	0501046856	1-5/8" X 59" AXLE WITH NUTS 2-3/4		01
01A	0501019012	1-5/8" X 59" AXLE		01
01B	0502040640	1.5/8" 2.3/4" NUT		02
02	0502010703	10.35" 1-5/8" SPACER		07
03	0511014339	1-5/8" 2.8" NUT LOCK		06
04	0502011048	1-5/8" EXTERNAL AXLE WASHER		01
05	0503010232	5/8" X 1.3/4" BOLT		10
06	0501012140	FLAT WASHER		10
07	0503012412	5/8" UNC SELF LOCKING NUT		10
08	0502040640	1.5/8" 2.3/4" NUT		03
09	0601039007	28" X 0.2" PLAIN DISC BLADE		14
09.	0602037006	DR28X7,5 C102AF04FR1.11/16 10R TATU		14
09..	0601039053	28"X 0.3" PLAIN DISC BLADE		14
10	0601033005	26" X 0.2" PLAIN DISC BLADE		01
10.	0602033067	26" X 7.5 NOTCHED DISC BLADE		01
10..	0601033065	DL26X7,5 C90AF04FR1.11/16 TATU		01
11	0601030005	24" X 0.2" PLAIN DISC BLADE		01
11.	0602030236	24" X 7,5 NOTCHED DISC BLADE		01
11..	0601030096	24 X 0,3" PLAIN DISC BLADE		01
11...	0601029206	DL22X6 C63AF02FR42,86 ROME		01
12	0602029360	DR22X6 C69AF02FR1.11/16 03REC TATU		01
12.	0602027350	DR20X6 C50AF02FR1.11/16 3REC TATU		01
13	0501048457	262MM X 1.5/8" RD OIL BATH BEARING	22	06
13.	0511048375	DMO 262 EIX 1.5/8"MM BEARING COVER / SUPPORT	23	06
14	0502011047	1-5/8" INNER AXLE WASHER		03
15	0502012377	1-5/8" EXTERNAL AXLE LOK		01
16	0511067146	10.35" AXLE 1-5/8" SPACER		01
17	0501041925	3/4" X 3-1/2" BOLT ASSY		12
17A	0501010950	3/4" X 3-1/2" BOLT		12
17B	0501010949	3/4" SQUARE WASHER		12
17C	0501010322	FLAT WASHER		12



32D - DL REAR DISC SECTION

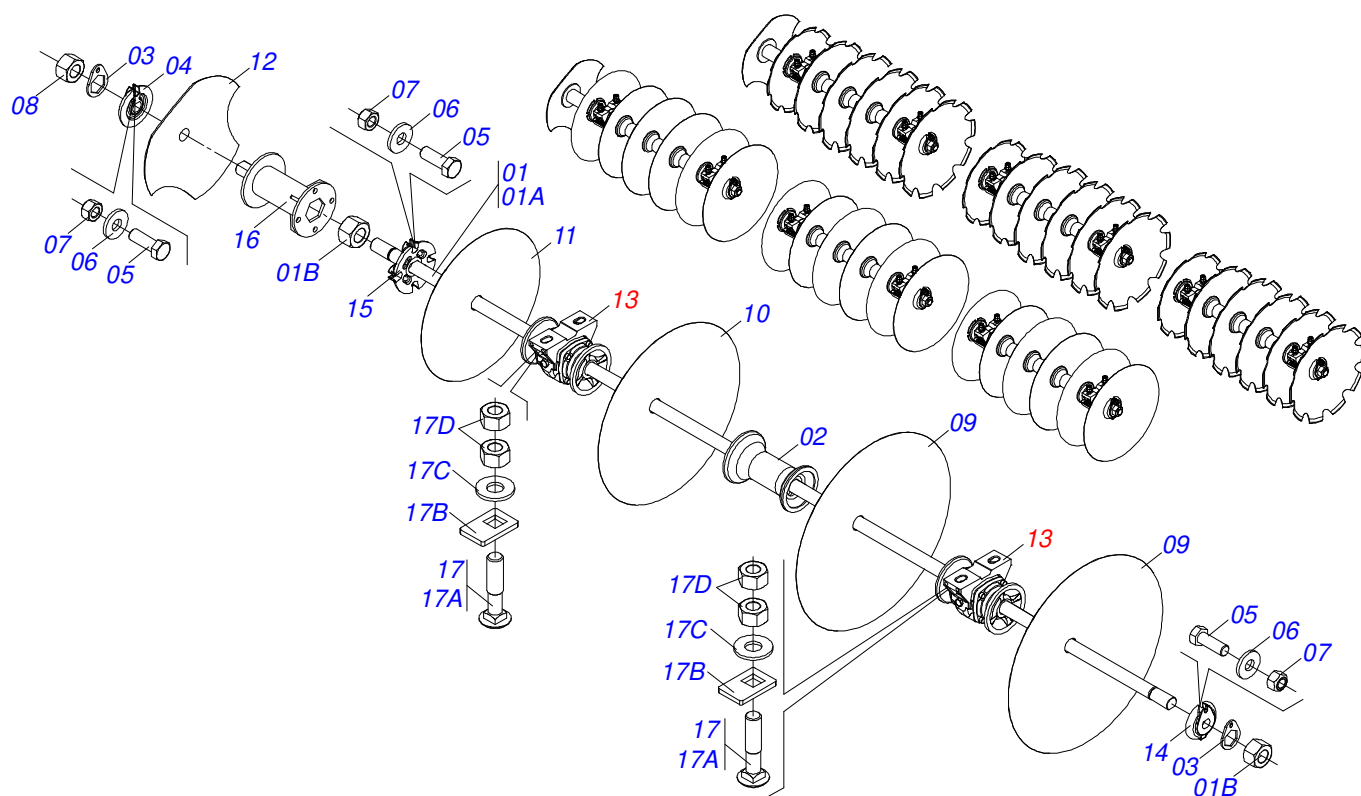
0909093707

Item	Code	Description	See page	QT
17D	0503010014	3/4" HEX NUT		24
18	0501046854	1-5/8" X 48" AXLE WITH NUTS 2-3/4		02
18A	0501019016	1-5/8 X 48" AXLE		02
18B	0502040640	1.5/8" 2.3/4" NUT		04



Item	Code	Description	See page	QT
01	0501046856	1-5/8" X 59" AXLE WITH NUTS 2-3/4		03
01A	0501019012	1-5/8" X 59" AXLE		03
01B	0502040640	1.5/8" 2.3/4" NUT		06
02	0501048457	262MM X 1.5/8" RD OIL BATH BEARING	22	06
02.	0511048375	DMO 262 EIX 1.5/8"MM BEARING COVER / SUPPORT	23	06
03	0502010703	10.35" 1-5/8" SPACER		09
04	0502011048	1-5/8" EXTERNAL AXLE WASHER		03
05	0511014339	1-5/8" 2.8" NUT LOCK		06
06	0502011047	1-5/8" INNER AXLE WASHER		03
07	0602040154	DR30X6 C105AF02FR1.11/16 10REC TATU		18
07.	0602040074	30 X 7,5 NOTCHED DISC BLADE		18
08	0503011267	5/8 UNC X 1.1/2 C S G.5 ZN BOLT		06
09	0501012140	FLAT WASHER		06
10	0503010013	5/8 NUT		06
11	0511040468	3/4" X 4" BOLT ASSY		12
11A	0501010162	3/4" X 4" BOLT		12
11B	0501010949	3/4" SQUARE WASHER		12
11C	0503010014	3/4" HEX NUT		24
11D	0501010322	FLAT WASHER		12

36D REAR DISC SECTION



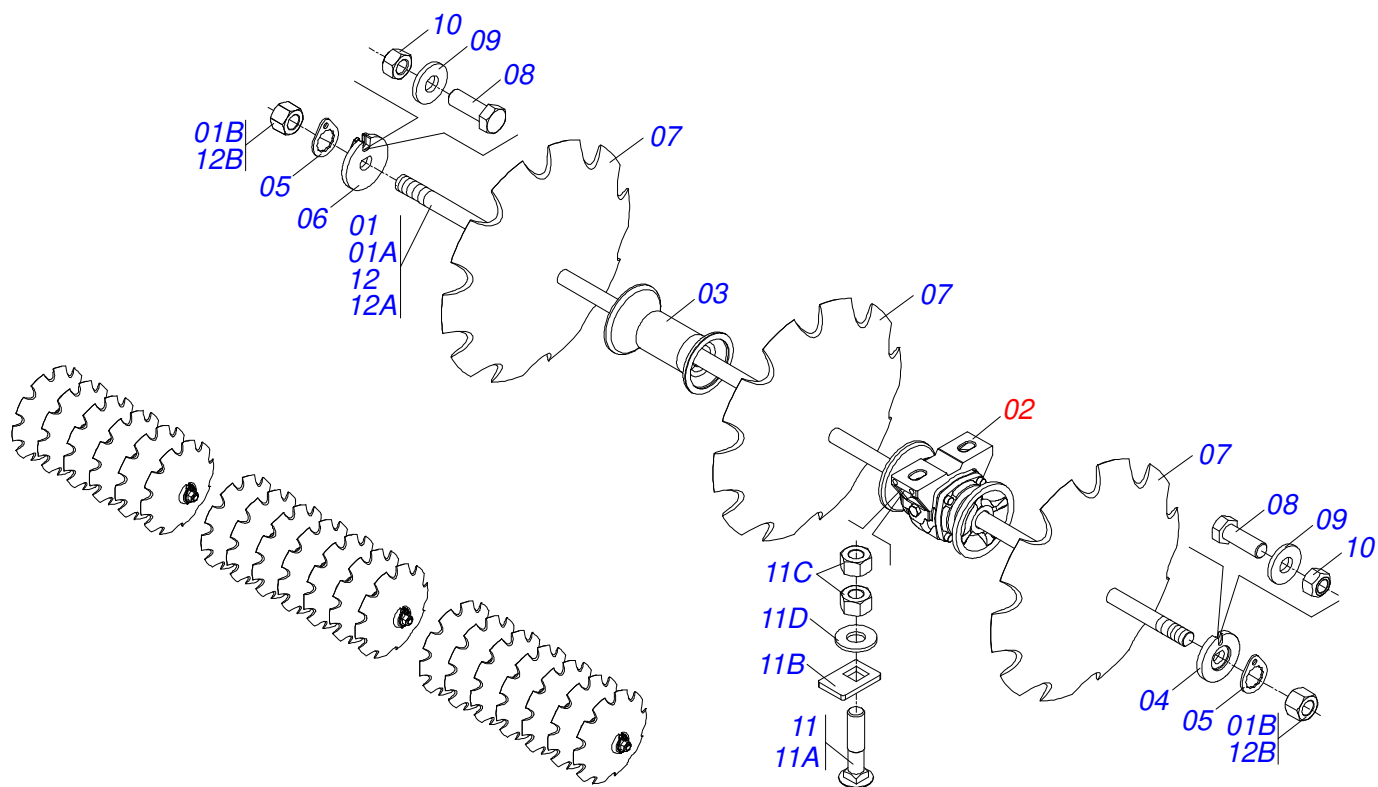
Item	Code	Description	See page	QT
01	0501046856	1-5/8" X 59" AXLE WITH NUTS 2-3/4		03
01A	0501019012	1-5/8" X 59" AXLE		03
01B	0502040640	1.5/8" 2.3/4" NUT		06
02	0502010703	10.35" 1-5/8" SPACER		09
03	0511014339	1-5/8" 2.8" NUT LOCK		06
04	0502011048	1-5/8" EXTERNAL AXLE WASHER		03
05	0503010232	5/8" X 1.3/4" BOLT		10
06	0501012140	FLAT WASHER		10
07	0503012412	5/8" UNC SELF LOCKING NUT		10
08	0502040640	1.5/8" 2.3/4" NUT		01
09	0601042069	DL30X7,5 C84AF02FR42,86 D090		16
09.	0602040135	DR30X7,5 C84AF02FR1.11/16 10R GONZA		16
09..	0601042040	30 X 0,3" PLAIN DISC BLADE		16
09...	0601039053	28"X 0.3" PLAIN DISC BLADE		16
09....	0601039010	DL28X6 C102AF02FR1.11/16		16
10	0601033065	DL26X7,5 C90AF04FR1.11/16 TATU		01
10.	0601033005	26" X 0.2" PLAIN DISC BLADE		16
10..	0602037189	DR28X7,5 C94AF04FR1.11/16 10R TATU		01
10...	0601039007	28" X 0.2" PLAIN DISC BLADE		16
11	0601030005	24" X 0.2" PLAIN DISC BLADE		01
11.	0601029206	DL22X6 C63AF02FR42,86 ROME		01
12	0602029360	DR22X6 C69AF02FR1.11/16 03REC TATU		01
12.	0602030445	24 X 6 NOTCHED DISC BLADE		01
12..	0602027350	DR20X6 C50AF02FR1.11/16 3REC TATU		01
13	0511048375	DMO 262 EIX 1.5/8"MM BEARING COVER / 23 SUPPORT		06
13.	0501048457	262MM X 1.5/8" RD OIL BATH BEARING	22	06
14	0502011047	1-5/8" INNER AXLE WASHER		03
15	0502012377	1-5/8" EXTERNAL AXLE LOK		01
16	0511067146	10.35" AXLE 1-5/8" SPACER		01
17	0501041925	3/4" X 3-1/2" BOLT ASSY		12
17A	0501010950	3/4" X 3-1/2" BOLT		12



36D REAR DISC SECTION

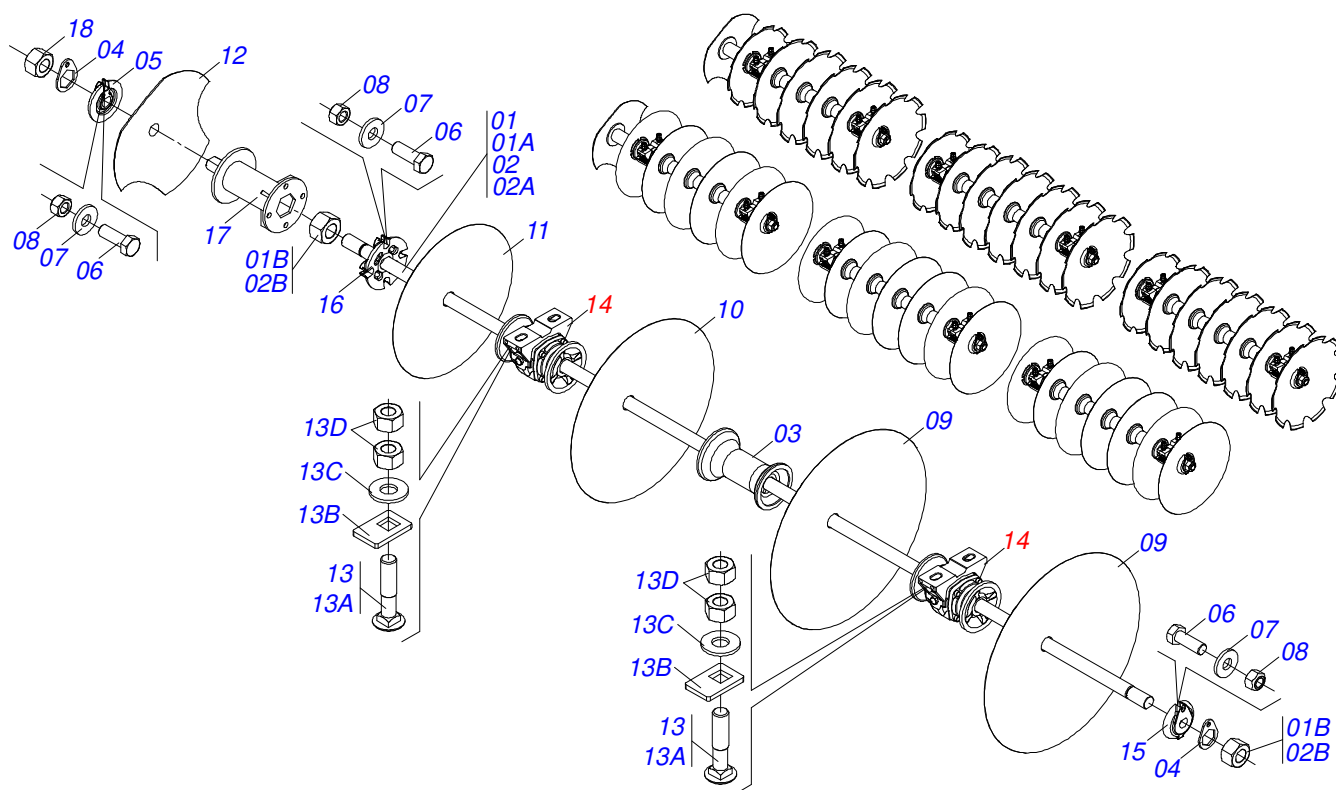
0909092442

Item	Code	Description	See page	QT
17B	0501010949	3/4" SQUARE WASHER		12
17C	0501010322	FLAT WASHER		12
17D	0503010014	3/4" HEX NUT		24



Item	Code	Description	See page	QT
01	0501046856	1-5/8" X 59" AXLE WITH NUTS 2-3/4"		01
01A	0501019012	1-5/8" X 59" AXLE		01
01B	0502040640	1.5/8" 2.3/4" NUT		02
02	0501048457	262MM X 1.5/8" RD OIL BATH BEARING	22	06
02.	0511048375	DMO 262 EIX 1.5/8"MM BEARING COVER / SUPPORT	23	06
03	0502010703	10.35" 1-5/8" SPACER		11
04	0502011048	1-5/8" EXTERNAL AXLE WASHER		03
05	0511014339	1-5/8" 2.8" NUT LOCK		06
06	0502011047	1-5/8" INNER AXLE WASHER		03
07	0602040074	30 X 7,5 NOTCHED DISC BLADE		20
07.	0602033005	26" X 0.2" NOTCHED DISC BLADE		20
07..	0602037004	28" X 0.2" NOTCHED DISC BLADE		20
07...	0602037006	DR28X7,5 C102AF04FR1.11/16 10R TATU		20
08	0503011267	5/8 UNC X 1.1/2 C S G.5 ZN BOLT		06
09	0501012140	FLAT WASHER		06
10	0503010013	5/8 NUT		06
11	0511040468	3/4" X 4" BOLT ASSY		12
11A	0501010162	3/4" X 4" BOLT		12
11B	0501010949	3/4" SQUARE WASHER		12
11C	0503010014	3/4" HEX NUT		24
11D	0501010322	FLAT WASHER		12
12	0501046859	1-5/8" X 70" AXLE WITH NUTS 2-3/4"		02
12A	0501015631	1-5/8" X 70" AXLE		02
12B	0502040640	1.5/8" 2.3/4" NUT		04

40D REAR DISC SECTION



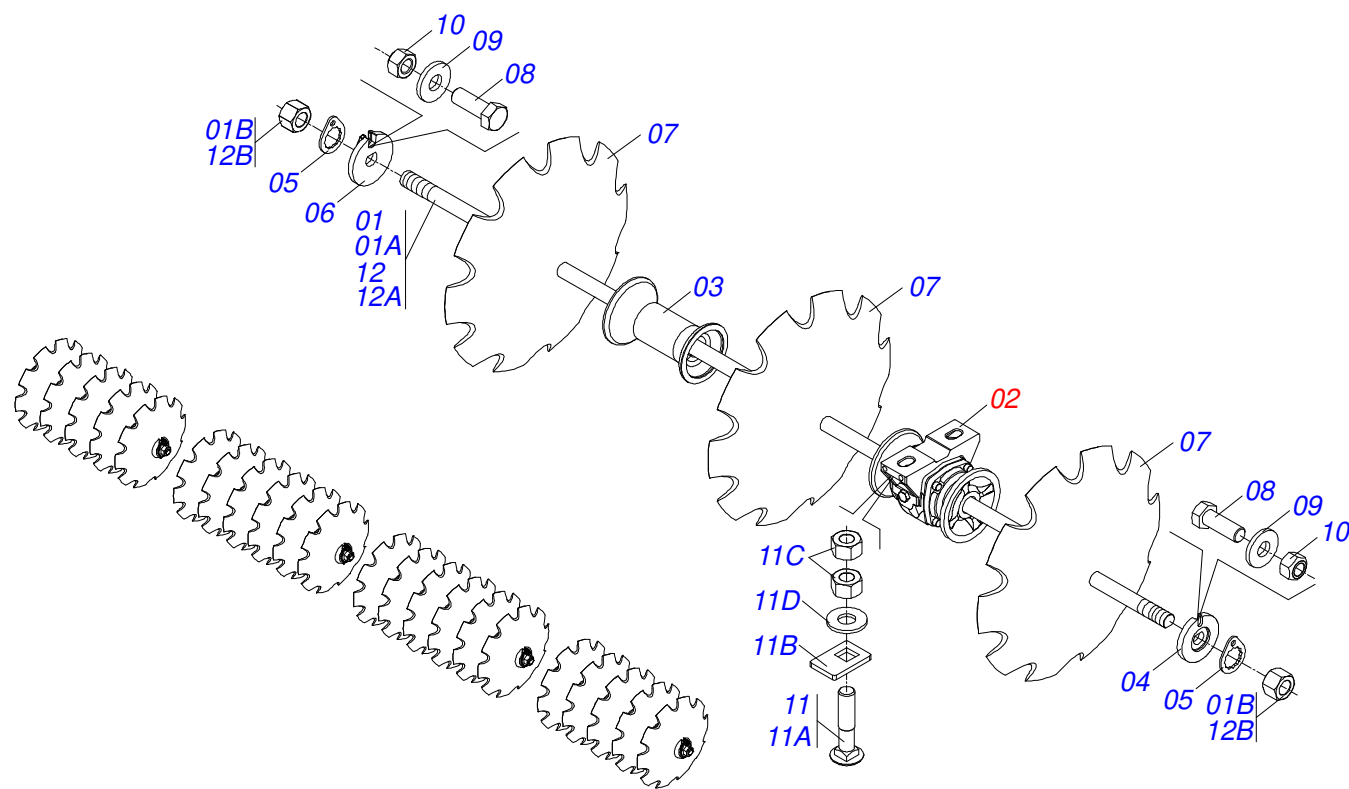
Item	Code	Description	See page	QT
01	0501046856	1-5/8" X 59" AXLE WITH NUTS 2-3/4	01	01
01A	0501019012	1-5/8" X 59" AXLE	01	01
01B	0502040640	1.5/8" 2.3/4" NUT	02	02
02	0501046859	1-5/8" X 70" AXLE WITH NUTS 2-3/4"	02	02
02A	0501015631	1-5/8" X 70" AXLE	02	02
02B	0502040640	1.5/8" 2.3/4" NUT	04	04
03	0502010703	10.35" 1-5/8" SPACER	11	11
04	0511014339	1-5/8" 2.8" NUT LOCK	06	06
05	0502011048	1-5/8" EXTERNAL AXLE WASHER	03	03
06	0503010232	5/8" X 1.3/4" BOLT	10	10
07	0501012140	FLAT WASHER	10	10
08	0503012412	5/8" UNC SELF LOCKING NUT	10	10
09	0601039010	DL28X6 C102AF02FR1.11/16	18	18
09.	0601039053	28" X 0.3" PLAIN DISC BLADE	18	18
09..	0601039007	28" X 0.2" PLAIN DISC BLADE	18	18
09....	0602037186	DR28X7,5 C108AF02FR1.11/16 10R TATU	18	18
09.....	0602037004	28" X 0.2" NOTCHED DISC BLADE	18	18
09.....	0602037006	DR28X7,5 C102AF04FR1.11/16 10R TATU	18	18
10	0601030005	24" X 0.2" PLAIN DISC BLADE	01	01
10..	0602033145	DR26X7,5 C89AF02FR42,86 10REC ROME	01	01
10...	0601033005	26" X 0.2" PLAIN DISC BLADE	01	01
10....	0602033005	26" X 0.2" NOTCHED DISC BLADE	01	01
11	0602030424	DR24X7,5 C85AF02FR1.11/16 10REC	01	01
11...	0601029206	DL22X6 C63AF02FR42,86 ROME	01	01
12	0602030445	24 X 6 NOTCHED DISC BLADE	01	01
12.	0602029360	DR22X6 C69AF02FR1.11/16 03REC TATU	01	01
12..	0602027350	DR20X6 C50AF02FR1.11/16 3REC TATU	01	01
13	0501041925	3/4" X 3-1/2" BOLT ASSY	12	12
13A	0501010950	3/4" X 3-1/2" BOLT	12	12
13B	0501010949	3/4" SQUARE WASHER	12	12
13C	0501010322	FLAT WASHER	12	12



40D REAR DISC SECTION

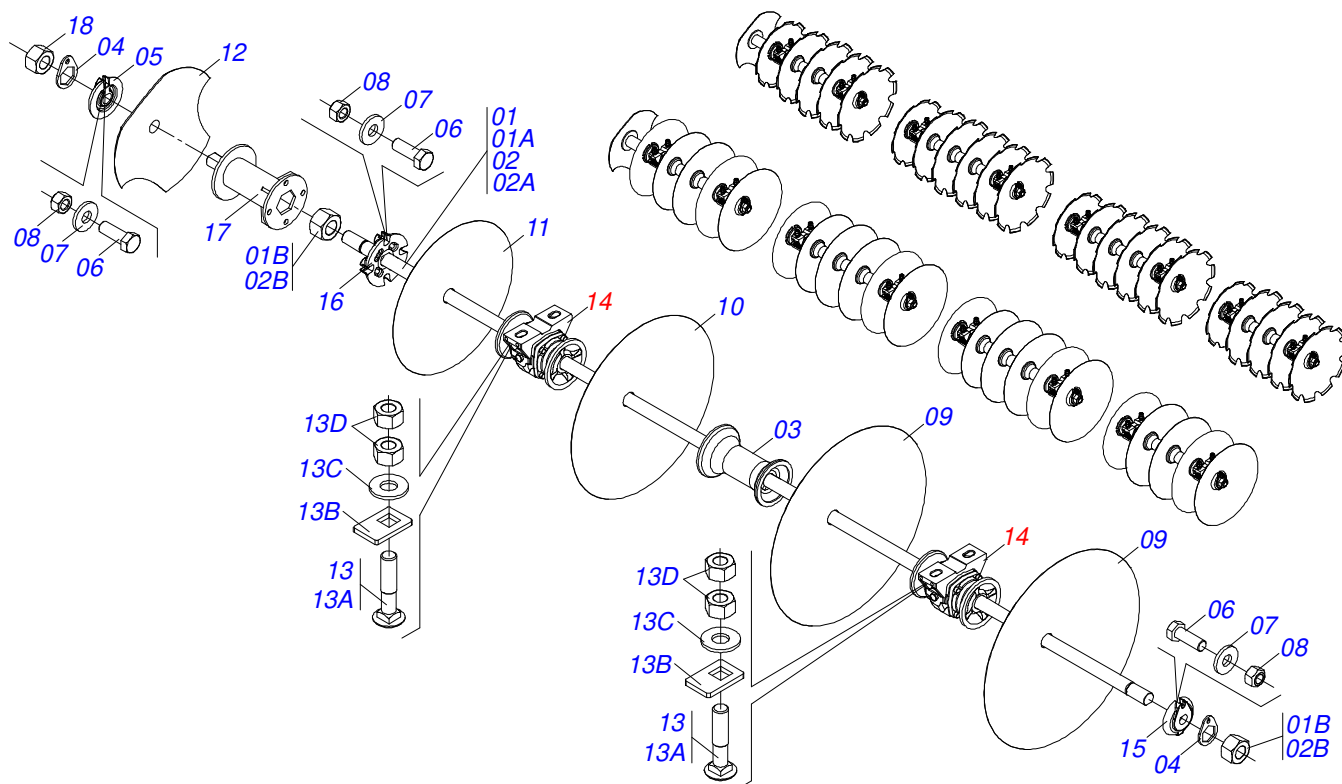
0909092440

Item	Code	Description	See page	QT
13D	0503010014	3/4" HEX NUT		24
14	0501048457	262MM X 1.5/8" RD OIL BATH BEARING	22	06
14.	0511048375	DMO 262 EIX 1.5/8"MM BEARING COVER / SUPPORT	23	06
15	0502011047	1-5/8" INNER AXLE WASHER		03
16	0502012377	1-5/8" EXTERNAL AXLE LOK		01
17	0511067146	10.35" AXLE 1-5/8" SPACER		01
18	0502040640	1.5/8" 2.3/4" NUT		01



Item	Code	Description	See page	QT
01	0501046856	1-5/8" X 59" AXLE WITH NUTS 2-3/4		02
01A	0501019012	1-5/8" X 59" AXLE		02
01B	0502040640	1.5/8" 2.3/4" NUT		04
02	0501048457	262MM X 1.5/8" RD OIL BATH BEARING	22	08
02.	0511048375	DMO 262 EIX 1.5/8"MM BEARING COVER / SUPPORT	23	08
03	0502010703	10.35" 1-5/8" SPACER		10
04	0502011048	1-5/8" EXTERNAL AXLE WASHER		04
05	0511014339	1-5/8" 2.8" NUT LOCK		08
06	0502011047	1-5/8" INNER AXLE WASHER		04
07	0602040135	DR30X7,5 C84AF02FR1.11/16 10R GONZA		22
07.	0602033005	26" X 0.2" NOTCHED DISC BLADE		22
07..	0602037004	28" X 0.2" NOTCHED DISC BLADE		22
07...	0602037006	DR28X7,5 C102AF04FR1.11/16 10R TATU		22
08	0503011267	5/8 UNC X 1.1/2 C S G.5 ZN BOLT		08
09	0501012140	FLAT WASHER		08
10	0503010013	5/8 NUT		08
11	0511040468	3/4" X 4" BOLT ASSY		16
11A	0501010162	3/4" X 4" BOLT		16
11B	0501010949	3/4" SQUARE WASHER		16
11C	0503010014	3/4" HEX NUT		32
11D	0501010322	FLAT WASHER		16
12	0501046854	1-5/8" X 48" AXLE WITH NUTS 2-3/4		02
12A	0501019016	1-5/8 X 48" AXLE		02
12B	0502040640	1.5/8" 2.3/4" NUT		04

44D REAR DISC SECTION



Item	Code	Description	See page	QT
01	0501046854	1-5/8" X 48" AXLE WITH NUTS 2-3/4		02
01A	0501019016	1-5/8 X 48" AXLE		02
01B	0502040640	1.5/8" 2.3/4" NUT		04
02	0501046856	1-5/8" X 59" AXLE WITH NUTS 2-3/4		02
02A	0501019012	1-5/8" X 59" AXLE		02
02B	0502040640	1.5/8" 2.3/4" NUT		04
03	0502010703	10.35" 1-5/8" SPACER		10
04	0511014339	1-5/8" 2.8" NUT LOCK		08
05	0502011048	1-5/8" EXTERNAL AXLE WASHER		04
06	0503010232	5/8" X 1.3/4" BOLT		12
07	0501012140	FLAT WASHER		12
08	0503012412	5/8" UNC SELF LOCKING NUT		12
09	0601042040	30 X 0,3" PLAIN DISC BLADE		20
09.	0601039007	28" X 0.2" PLAIN DISC BLADE		20
09..	0602037004	28" X 0.2" NOTCHED DISC BLADE		20
09...	0601039053	28"X 0.3" PLAIN DISC BLADE		20
09....	0602037006	DR28X7,5 C102AF04FR1.11/16 10R TATU		20
09.....	0601033005	26" X 0.2" PLAIN DISC BLADE		20
10	0601039130	28" X 7,5" PLAIN DISC BLADE		01
10.	0601033137	DL26X7,5 C89AF02FR42,86 ROME		01
10..	0602033067	26" X 7.5 NOTCHED DISC BLADE		01
11	0602030236	24" X 7,5 NOTCHED DISC BLADE		01
11.	0601030005	24" X 0.2" PLAIN DISC BLADE		01
11..	0601029206	DL22X6 C63AF02FR42,86 ROME		01
12	0602030444	DR24X7,5 C66AF02FR1.11/16 3RECTATU		01
12.	0602029360	DR22X6 C69AF02FR1.11/16 03REC TATU		01
12..	0602027350	DR20X6 C50AF02FR1.11/16 3REC TATU		01
13	0501041925	3/4" X 3-1/2" BOLT ASSY		16
13A	0501010950	3/4" X 3-1/2" BOLT		16
13B	0501010949	3/4" SQUARE WASHER		16
13C	0501010322	FLAT WASHER		16

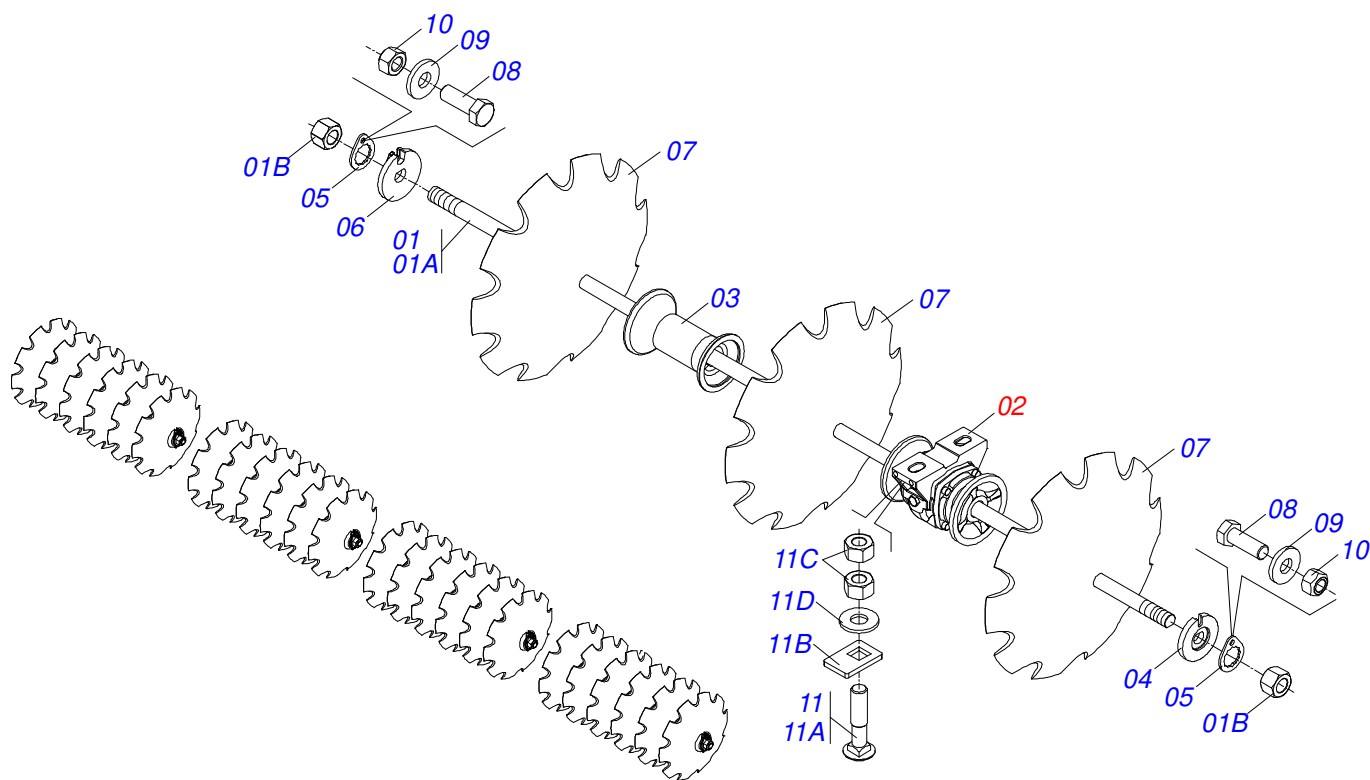


44D REAR DISC SECTION

0909093709

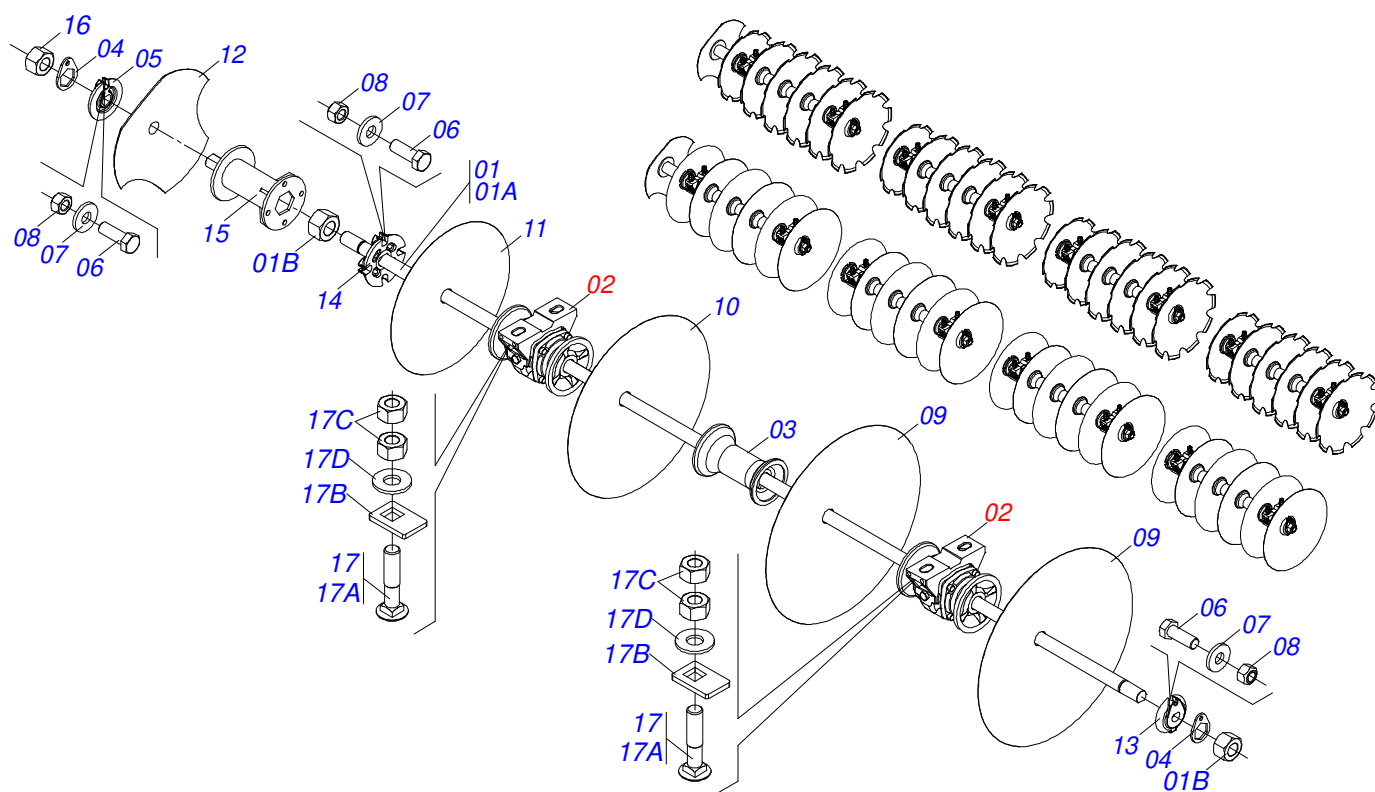
Item	Code	Description	See page	QT
13D	0503010014	3/4" HEX NUT		32
14	0501048457	262MM X 1.5/8" RD OIL BATH BEARING	22	08
14.	0511048375	DMO 262 EIX 1.5/8"MM BEARING COVER / SUPPORT	23	08
15	0502011047	1-5/8" INNER AXLE WASHER		04
16	0502012377	1-5/8" EXTERNAL AXLE LOK		01
17	0511067146	10.35" AXLE 1-5/8" SPACER		01
18	0502040640	1.5/8" 2.3/4" NUT		01

48D FRONT DISC SECTION



Item	Code	Description	See page	QT
01	0501046856	1-5/8" X 59" AXLE WITH NUTS 2-3/4		04
01A	0501019012	1-5/8" X 59" AXLE		04
01B	0502040640	1.5/8" 2.3/4" NUT		08
02	0501048457	262MM X 1.5/8" RD OIL BATH BEARING	22	08
02.	0511048375	DMO 262 EIX 1.5/8"MM BEARING COVER / SUPPORT	23	08
03	0502010703	10.35" 1-5/8" SPACER		12
04	0502011048	1-5/8" EXTERNAL AXLE WASHER		04
05	0511014339	1-5/8" 2.8" NUT LOCK		08
06	0502011047	1-5/8" INNER AXLE WASHER		04
07	0602040155	30 X 7,5 NOTCHED DISC BLADE		24
07.	0602033005	26" X 0.2" NOTCHED DISC BLADE		24
07..	0602037004	28" X 0.2" NOTCHED DISC BLADE		24
07...	0602037006	DR28X7,5 C102AF04FR1.11/16 10R TATU		24
08	0503011267	5/8 UNC X 1.1/2 C S G.5 ZN BOLT		08
09	0501012140	FLAT WASHER		08
10	0503010013	5/8 NUT		08
11	0511040468	3/4" X 4" BOLT ASSY		16
11A	0501010162	3/4" X 4" BOLT		16
11B	0501010949	3/4" SQUARE WASHER		16
11C	0503010014	3/4" HEX NUT		32
11D	0501010322	FLAT WASHER		16

48D REAR DISC SECTION



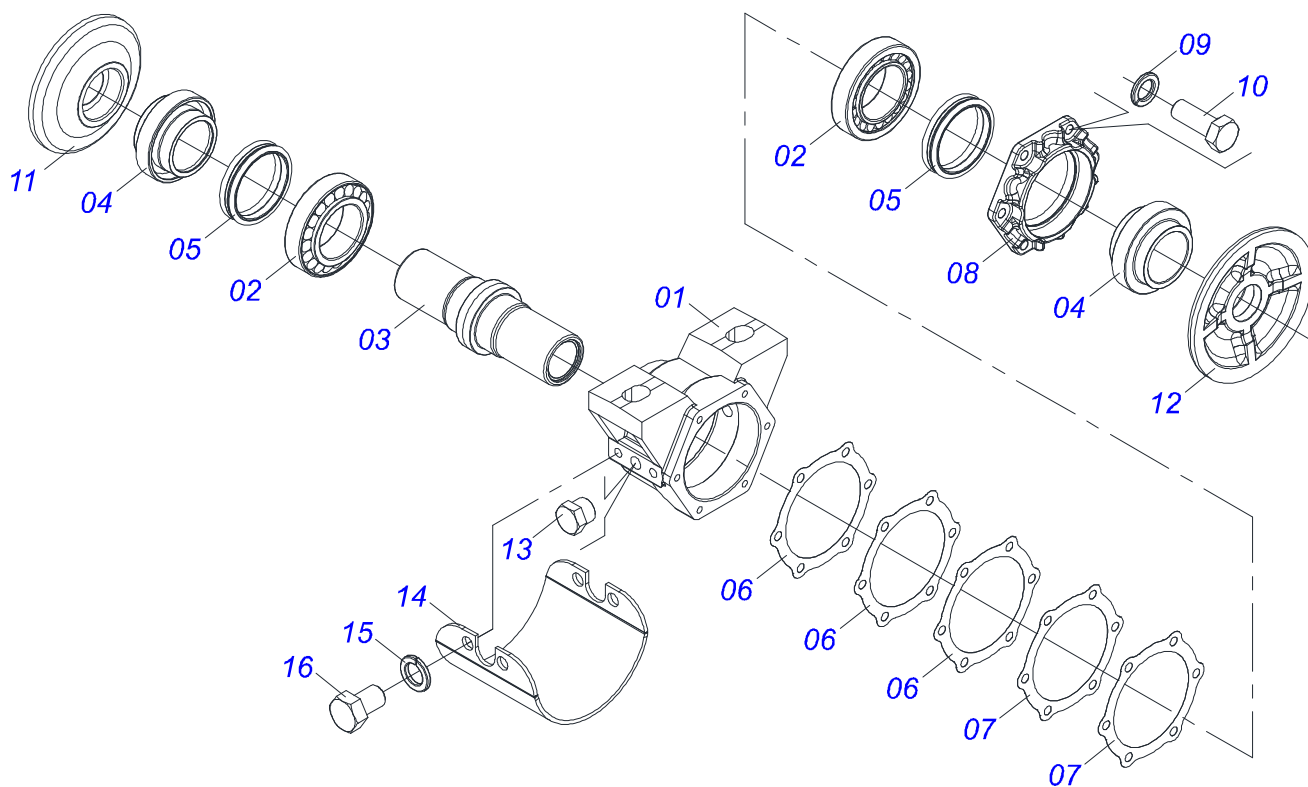
Item	Code	Description	See page	QT
01	0501046856	1-5/8" X 59" AXLE WITH NUTS 2-3/4		04
01A	0501019012	1-5/8" X 59" AXLE		04
01B	0502040640	1.5/8" 2.3/4" NUT		08
02	0501048457	262MM X 1.5/8" RD OIL BATH BEARING	22	08
02.	0511048375	DMO 262 EIX 1.5/8"MM BEARING COVER / SUPPORT	23	08
03	0502010703	10.35" 1-5/8" SPACER		12
04	0511014339	1-5/8" 2.8" NUT LOCK		08
05	0502011048	1-5/8" EXTERNAL AXLE WASHER		04
06	0503010232	5/8" X 1.3/4" BOLT		12
07	0501012140	FLAT WASHER		12
08	0503012412	5/8" UNC SELF LOCKING NUT		12
09	0601042040	30 X 0,3" PLAIN DISC BLADE		22
09.	0601039053	28" X 0.3" PLAIN DISC BLADE		22
09..	0602037006	DR28X7,5 C102AF04FR1.11/16 10R TATU		22
09...	0601039007	28" X 0.2" PLAIN DISC BLADE		22
09....	0602037004	28" X 0.2" NOTCHED DISC BLADE		22
10	0601033005	26" X 0.2" PLAIN DISC BLADE		01
10.	0601033065	DL26X7,5 C90AF04FR1.11/16 TATU		01
10..	0602033067	26" X 7.5 NOTCHED DISC BLADE		01
11	0601029206	DL22X6 C63AF02FR42,86 ROME		01
11.	0601030005	24" X 0.2" PLAIN DISC BLADE		01
11..	0602030236	24" X 7,5 NOTCHED DISC BLADE		01
12	0602029360	DR22X6 C69AF02FR1.11/16 03REC TATU		01
12.	0602030444	DR24X7,5 C66AF02FR1.11/16 3RECTATU		01
12..	0602027350	DR20X6 C50AF02FR1.11/16 3REC TATU		01
13	0502011047	1-5/8" INNER AXLE WASHER		04
14	0502012377	1-5/8" EXTERNAL AXLE LOK		01
15	0511067146	10.35" AXLE 1-5/8" SPACER		01
16	0502040640	1.5/8" 2.3/4" NUT		01
17	0511040468	3/4" X 4" BOLT ASSY		16
17A	0501010162	3/4" X 4" BOLT		16



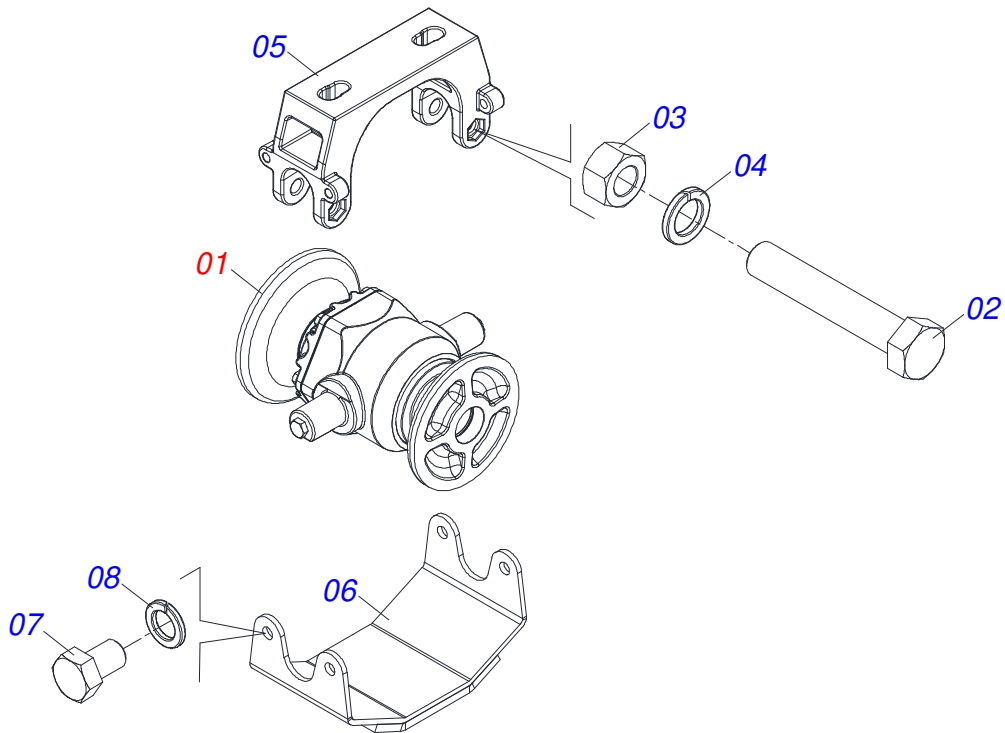
48D REAR DISC SECTION

0909092447

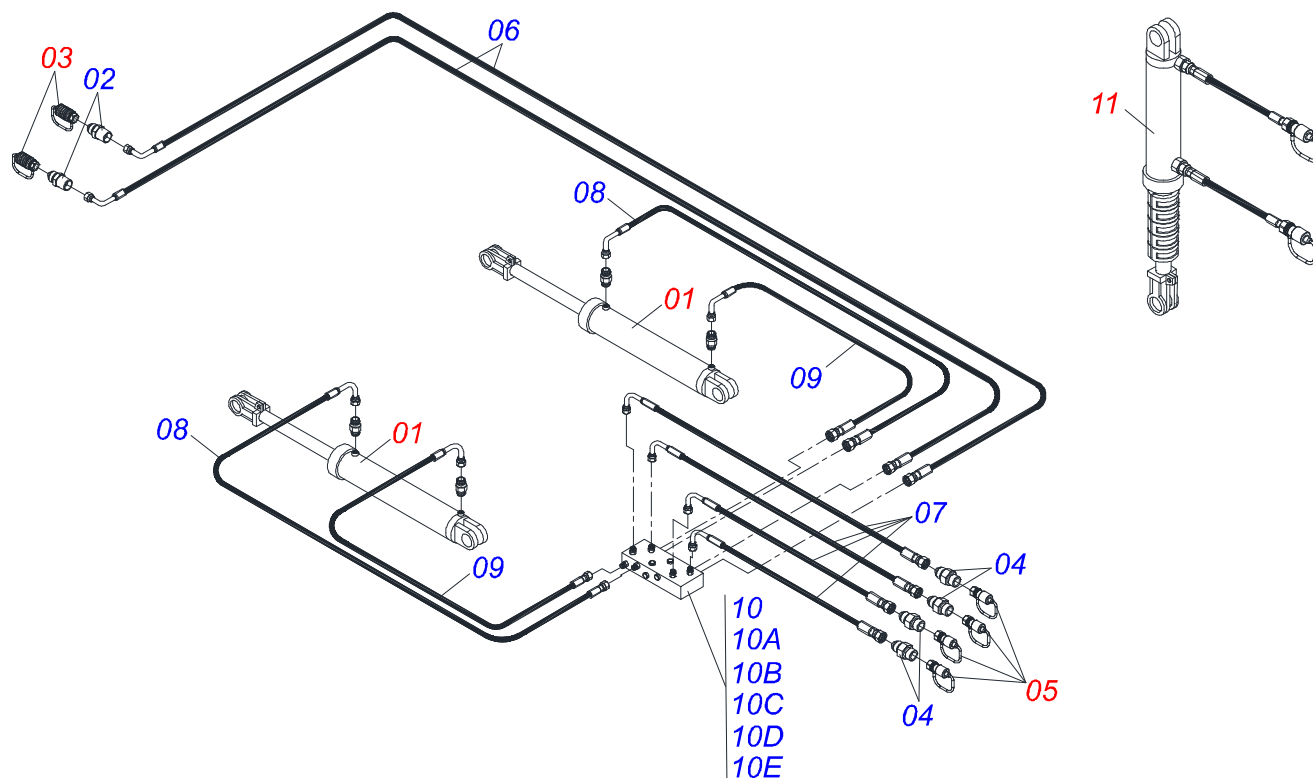
Item	Code	Description	See page	QT
17B	0501010949	3/4" SQUARE WASHER		16
17C	0503010014	3/4" HEX NUT		32
17D	0501010322	FLAT WASHER		16



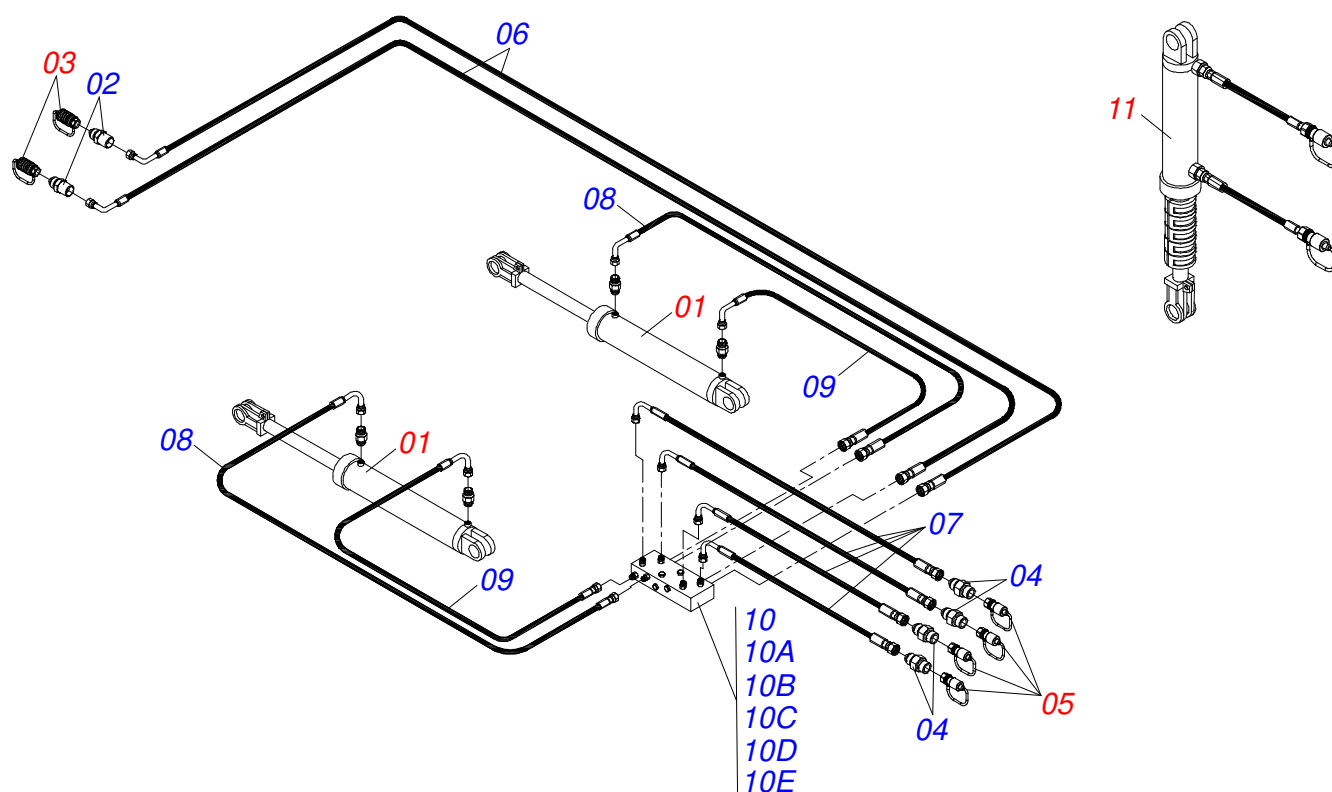
Item	Code	Description	See page	QT
01	0502020636	8.8" X 1-5/8" OIL HOUSING BEARING		01
02	0503013496	3982/3920 ROLLER BEARING		02
03	0502010740	AXLE TK		01
04	0502010736	SEAL RETAINER		02
05	0503030027	DUO-CONE SEAL		02
06	0503030030	5.6" X 4.4" X 0.01" GASKET		03
07	0503030685	5.5" X 4.4" X 0.003" GASKET		02
08	0502020161	WEAR PLATE BEARING		01
09	0503011443	3/8" SPRING WASHER		06
10	0503010237	3/8" X 1" BOLT		06
11	0502040240	INNER FLANGE		01
12	0502040239	OUTER FLANGE		01
13	0503010856	OIL PLUG		02
14	0521012933	BEARING WEAR PLATE		01
15	0503010019	1/2" SPRING WASHER		04
16	0503011401	1/2" X 3/4" BOLT		04



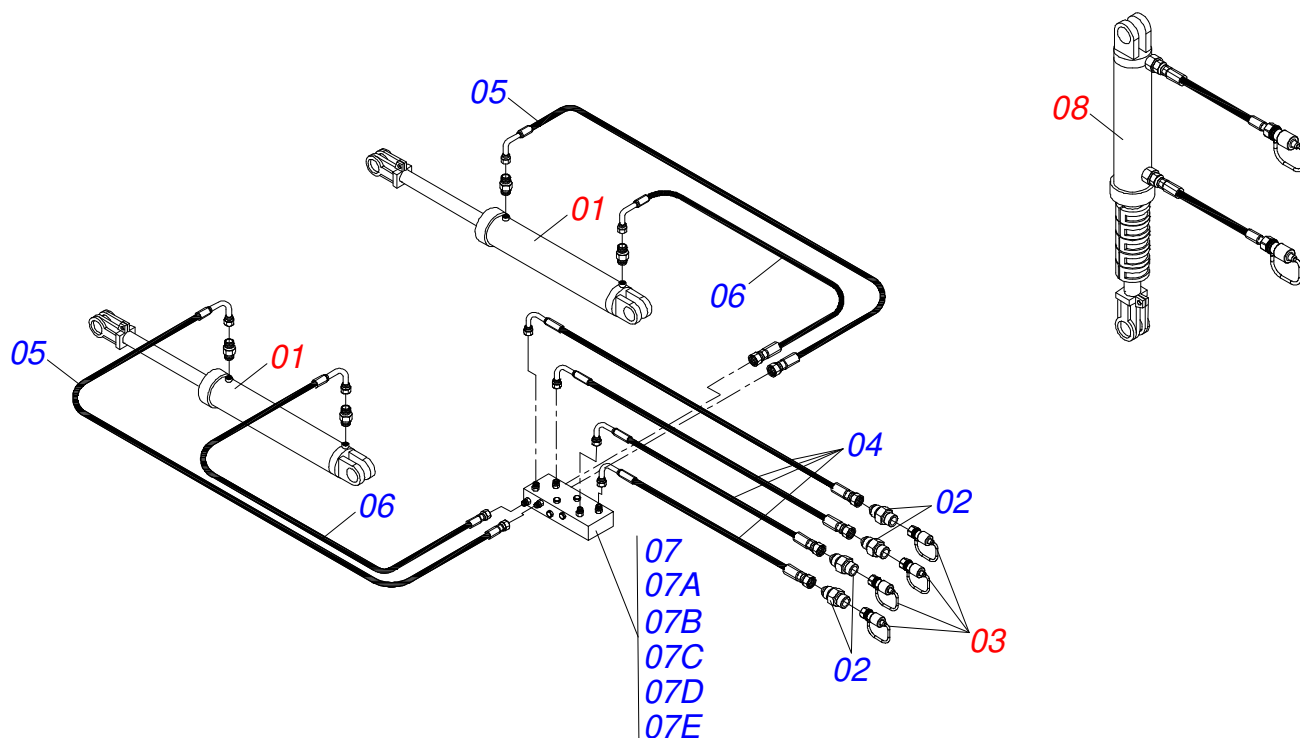
Item	Code	Description	See page	QT
01	0501059733	SWINGING 262 AXIS 1.5/8" MM BEARING		01
02	0503010762	SCREW 5/8 UNC X 3.1/2 CS G.5 ZN		02
03	0503010013	5/8 NUT		02
04	0503010027	5/8 SPRING WASHER		02
05	0502012626	CENTER OSCILLATING BEARING SUPPORT		01
06	0521067341	BEARING SWING COVER WITH ENHANCED		01
07	0503010834	1/2 X 1 BOLT		04
08	0503010019	1/2" SPRING WASHER		04



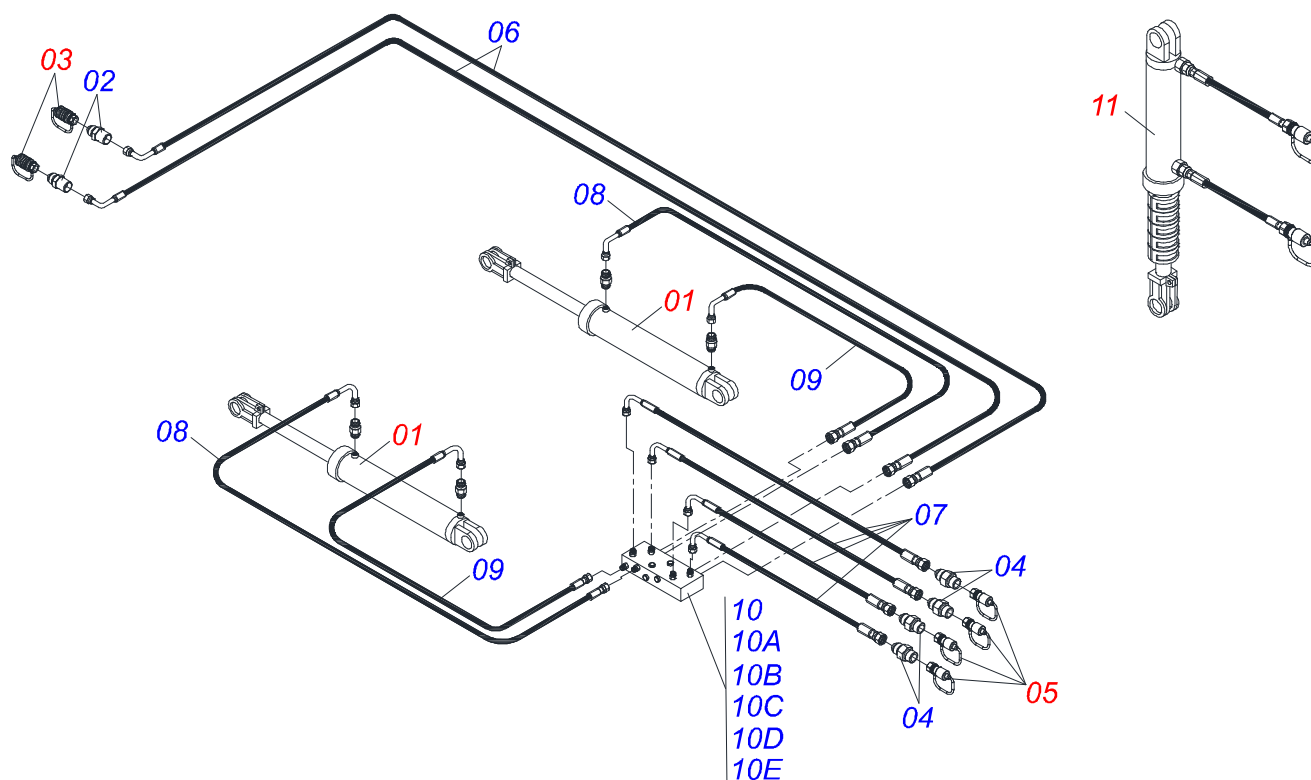
Item	Code	Description	See page	QT
01	0511050166	50,80 X 101,60 X 561 X 251 HYDRAULIC CYLINDER	3	02
02	0503011275	1/2" X 3/4" NIPPLE		02
03	0501053835	FEMALE QUICK COUPLER	31	02
04	0501010617	3/4" NIPPLE		04
05	0501053834	MALE QUICK COUPLER	30	04
06	0501081552	HOSE		02
07	0501081551	HOSE		04
08	0501081550	HOSE		02
09	0501081161	3/8 X 2320 TR-TC HOSE ASSY		02
10	0501054429	OIL TUB ASSY		01
10A	0521011775	OIL TUB		01
10B	0503010190	2-114 N 3006-9B O'RING		10
10C	0501010617	3/4" NIPPLE		10
10D	0503010190	2-114 N 3006-9B O'RING		06
10E	0521013598	3/4" PLUG		06
11	0501056236	KIT CONTROL	28	01



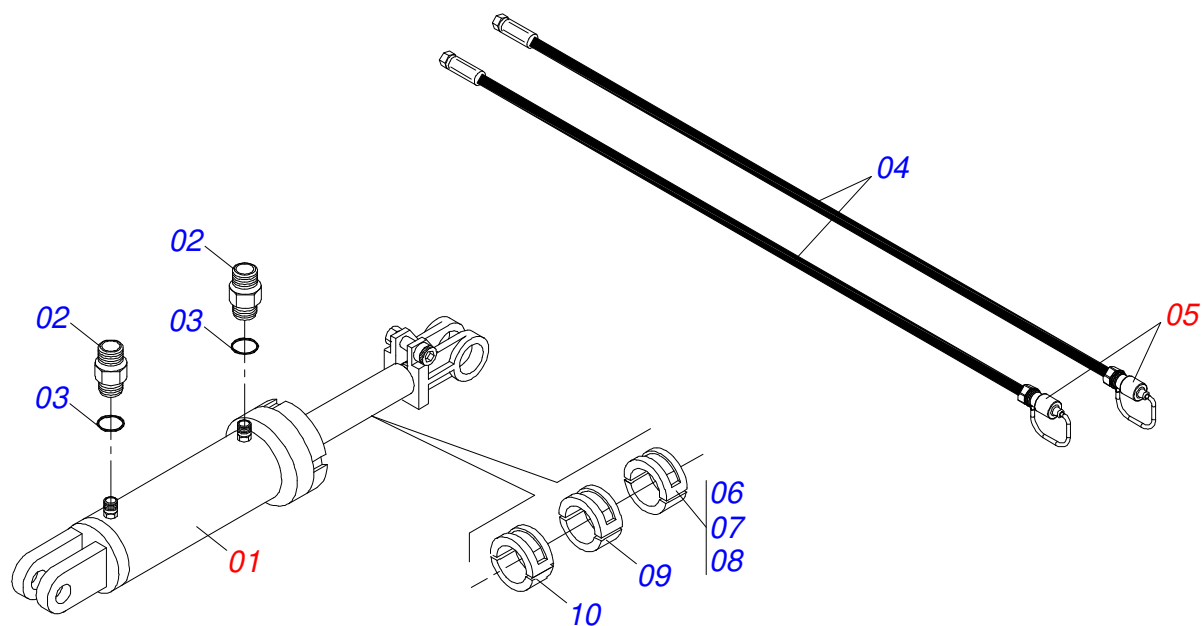
Item	Code	Description	See page	QT
01	0511050166	50,80 X 101,60 X 561 X 251 HYDRAULIC CYLINDER	3	02
02	0503011275	1/2" X 3/4" NIPPLE		02
03	0501053835	FEMALE QUICK COUPLER	31	02
04	0501010617	3/4" NIPPLE		04
05	0501053834	MALE QUICK COUPLER	30	04
06	0501080613	3/8" X 252" TR-TC HOSE ASSY		02
07	0501081551	HOSE		04
08	0501080397	3/8" X 120" TR-TC HOSE		02
09	0501080401	3/8" X 106" TR-TC HOSE		02
10	0501054429	OIL TUB ASSY		01
10A	0521011775	OIL TUB		01
10B	0503010190	2-114 N 3006-9B O'RING		10
10C	0501010617	3/4" NIPPLE		10
10D	0503010190	2-114 N 3006-9B O'RING		06
10E	0521013598	3/4" PLUG		06
11	0501056236	KIT CONTROL	28	01



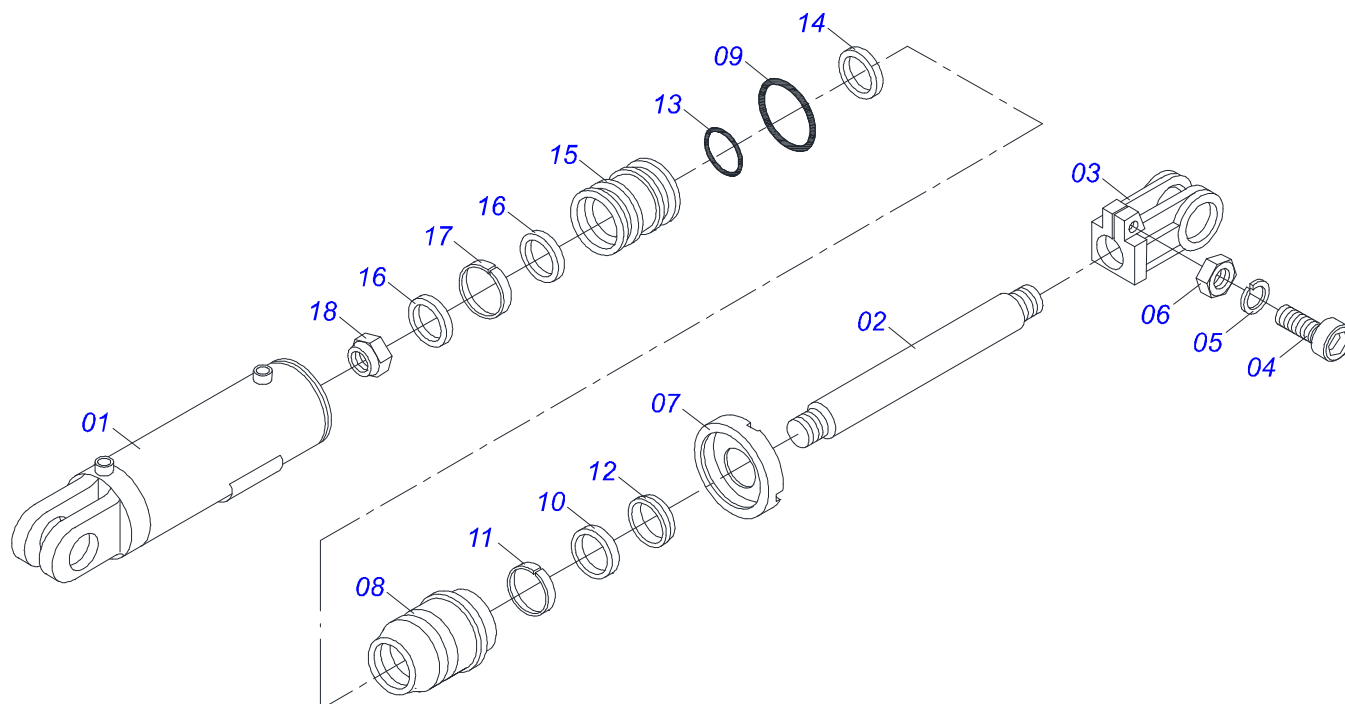
Item	Code	Description	See page	QT
01	0511050166	50,80 X 101,60 X 561 X 251 HYDRAULIC CYLINDER	3	02
02	0501010617	3/4" NIPPLE		04
03	0501053834	MALE QUICK COUPLER	30	04
04	0501081551	HOSE		04
05	0501080397	3/8" X 120" TR-TC HOSE		02
06	0501080401	3/8" X 106" TR-TC HOSE		02
07	0501056236	KIT CONTROL	28	01
07A	0521011775	OIL TUB		01
07B	0503010190	2-114 N 3006-9B O'RING		08
07C	0501010617	3/4" NIPPLE		08
07D	0503010190	2-114 N 3006-9B O'RING		06
07E	0521013598	3/4" PLUG		06
08	0501054429	OIL TUB ASSY		01



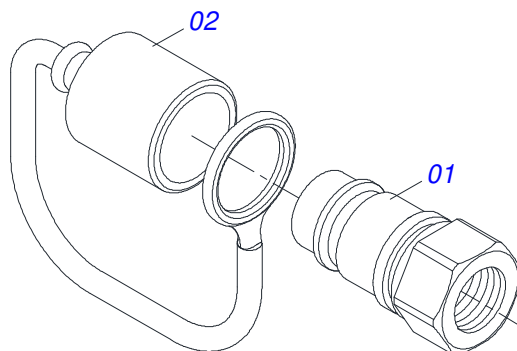
Item	Code	Description	See page	QT
01	0511050166	50,80 X 101,60 X 561 X 251 HYDRAULIC CYLINDER	3	02
02	0503011275	1/2" X 3/4" NIPPLE		02
03	0501053835	FEMALE QUICK COUPLER	31	02
04	0501010617	3/4" NIPPLE		04
05	0501053834	MALE QUICK COUPLER	30	04
06	0501080613	3/8" X 252" TR-TC HOSE ASSY		02
07	0501081551	HOSE		04
08	0501080397	3/8" X 120" TR-TC HOSE		02
09	0501080401	3/8" X 106" TR-TC HOSE		02
10	0501054429	OIL TUB ASSY		01
10A	0521011775	OIL TUB		01
10B	0503010190	2-114 N 3006-9B O'RING		10
10C	0501010617	3/4" NIPPLE		10
10D	0503010190	2-114 N 3006-9B O'RING		06
10E	0521013598	3/4" PLUG		06
11	0501056236	KIT CONTROL	28	01



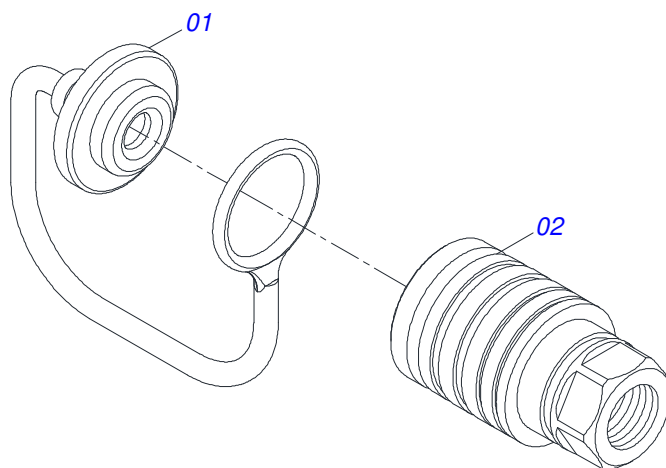
Item	Code	Description	See page	QT
01	0511043626	HYDRAULIC CYLINDER 44,45 X 76,20 X 415 X 100	29	01
02	0501010617	3/4" NIPPLE		02
03	0503010190	2-114 N 3006-9B O'RING		02
04	0501080509	TR-TM HOSE ASSY		02
05	0501053834	MALE QUICK COUPLER	30	02
06	0501047895	25 ROD STOP		01
07	0501047885	30 ROD STOP		01
08	0501047886	35 ROD STOP		01
09	0501047887	40 ROD STOP		01
10	0501047888	45 ROD STOP		01



Item	Code	Description	See page	QT
01	0511066441	3" X 11,02" CYLINDER CASE		01
02	0541016462	1.7" X 11.65" TURNBUCLE		01
03	0502040747	32.54 CLEVIS CLAMP		01
04	0503011094	3/8" X 2" BOLT		01
05	0503010025	3/8 SPRING WASHER		01
06	0503010026	3/8" NUT		01
07	0502011899	MOBILE LID		01
08	0502011897	RING SUPPORT		01
09	0503010343	2-334 N 3006-9B O'RING		01
10	0503010990	GASKET		01
11	0503010949	W2-2000-500 PK RING G.E		01
12	0503010761	D-1750 SCRAPER RING		01
13	0503010042	2-214 N 3006-9B O'RING		01
14	0503011059	8-334 BACK-UP RING		01
15	0502011898	1.8" X 3.0" PISTON		01
16	0503012768	3750-2250 GASKET		02
17	0503010992	3 X 3 X 1/2 W2-3000-500 PK RING		01
18	0503010063	1" SELF-ALIGNING NUT		01
19	0501033655	HYDRAULIC CYLINDER REPAIR KIT		



Item	Code	Description	See page	QT
01	0503011627	MALE QUICK COUPLER AGR 1/2 NPT		01
02	0503011882	MALE QUICK COUPLER CAP		01



Item	Code	Description	See page	QT
01	0503011883	QUICK CONNECTION COVER		01
02	0503011628	FEMALE QUICK COUPLER		01



MARCHESAN

Technical Publications | Elaboration and Revision

ALESSANDRA PATRICIA KAWAHARA CARRILI

www.marchesan.com.br

