

# PARTS CATALOGUE



## DOUBLE OFFSET DISK HARROW

**Code:**

0501091837

**Product:**

TDHR 5007T 52 A 68D



**Series:**

S-1114

**Revision:**

00

**Date Revision:**

MARÇO/2017



# PRODUCTS

<b>Code</b>	<b>Description</b>
0102430624	TDHR 5007T 52X22X4DM MT S/PN S-1114
0102430634	TDHR 5007T 68X22X4,5 DM DL S/PN S-1114
0102430635	TDHR 5007T 68X22X4,5 DM DR S/PN S-1114
0102430633	TDHR 5007T 68X22X4,5 DM MT S/PN S-1114
0102430631	TDHR 5007T 68X24X4,75 DM DL S/PN S-1114
0102430632	TDHR 5007T 68X24X4,75 DM DR S/PN S-1114
0102430630	TDHR 5007T 68X24X4,75 DM MT S/PN S-1114

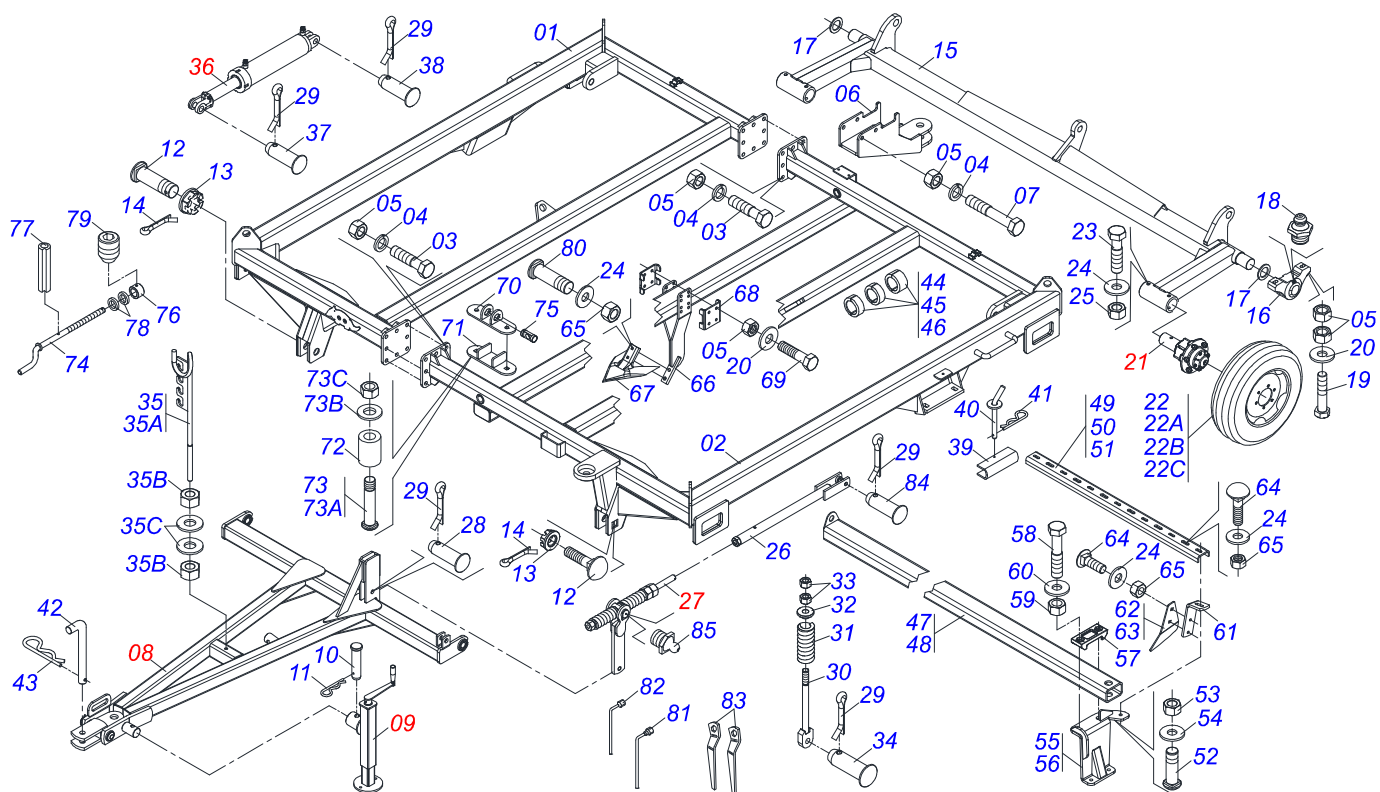
## **ATTENTION: IMPORTANT**

Marchesan S.A. reserves the right to improve and / or modify the technical features of its products, without obligation to do the same with those products already sold and without prior knowledge of the dealer or the consumer.



# INDEX

0909092421	ASSY FRAME	.....	1
0511047139	DRAWBAR ASSY	.....	2
0511048088	DRAWBAR JACK	.....	3
0501055262	STUB SHAFT & HUB ASSY	.....	4
0511056773	STABILIZER BAR TOWER	.....	5
0511041598	1.75" X 3" X 20"X 8" HYDRAULIC CYLINDER	.....	6
0909094648	HYDRAULIC CIRCUIT	.....	7
0501053835	FEMALE QUICK COUPLER	.....	8
0501053834	MALE QUICK COUPLER WITH CAP - 1/2 NPT	.....	9
0909092422	FRONT DISC SECTION - DL	.....	10
0909092423	REAR DISC SECTION - DL	.....	11
0909092424	FRONT DISC SECTION - DR	.....	12
0909092425	REAR DISC SECTION - DR	.....	13
0511041365	BEARING	.....	14



Item	Code	Description	See page	52	68
01	0511069797	SEMI FRAME RIGHT		01	01
02	0511069805	SEMI FRAME LEFT		01	01
03	0501010098	3/4" UNC BOLT		16	16
04	0503010023	3/4" SPRING WASHER		18	18
05	0503010014	3/4" NUT		32	32
06	0521061772	REAR HITCH		01	01
07	0503015757	3/4 UNC X 7 C S G.2 ZN SCREW		02	02
08	0511047139	DRAWBAR ASSY	2	01	01
09	0511048088	DRAWBAR JACK	3	01	01
10	0561014251	COUPLING SHAFT		01	01
11	0503030012	HAIR PIN		01	01
12	0521017538	11-1/2" X 5" COUPLING SHAFT		02	02
13	0501011301	1.1/2 UNC 6FPP 2.5/16 NUT		02	02
14	0503010010	1/4" X 2.1/2" COTTERPIN		02	02
15	0511069784	CARRYING-WHEELS SUPPORT		01	01
16	0501110856	ARTICULACION BEARING		02	02
17	0501017579	FLAT WASHER		02	02
18	0503010002	1800 GREASE FITTING		02	02
19	0503010797	3/4" X 4" BOLT		04	04
20	0501010322	FLAT WASHER		10	10
21	0501055262	STUB SHAFT & HUB ASSY	4	04	04
22	0503061666	11-15 12L WHEEL ASSY		04	04
22A	0503011469	RIB TIRE 12L		04	04
22B	0503011468	WEEL		04	04
22C	0503010860	CAMARA AR 11L 15		04	04
23	0503010547	1/2" X 4" BOLT		04	04
24	0511017302	FLAT WASHER		204	204
25	0503010060	1/2" NUT		04	04
26	0521065646	ADJUSTMENT BAR		01	01
27	0511056773	STABILIZER BAR TOWER	5	01	01
28	0521010572	0.9" X 2.9" COUPLING SHAFT		01	01



## ASSY FRAME

0909092421

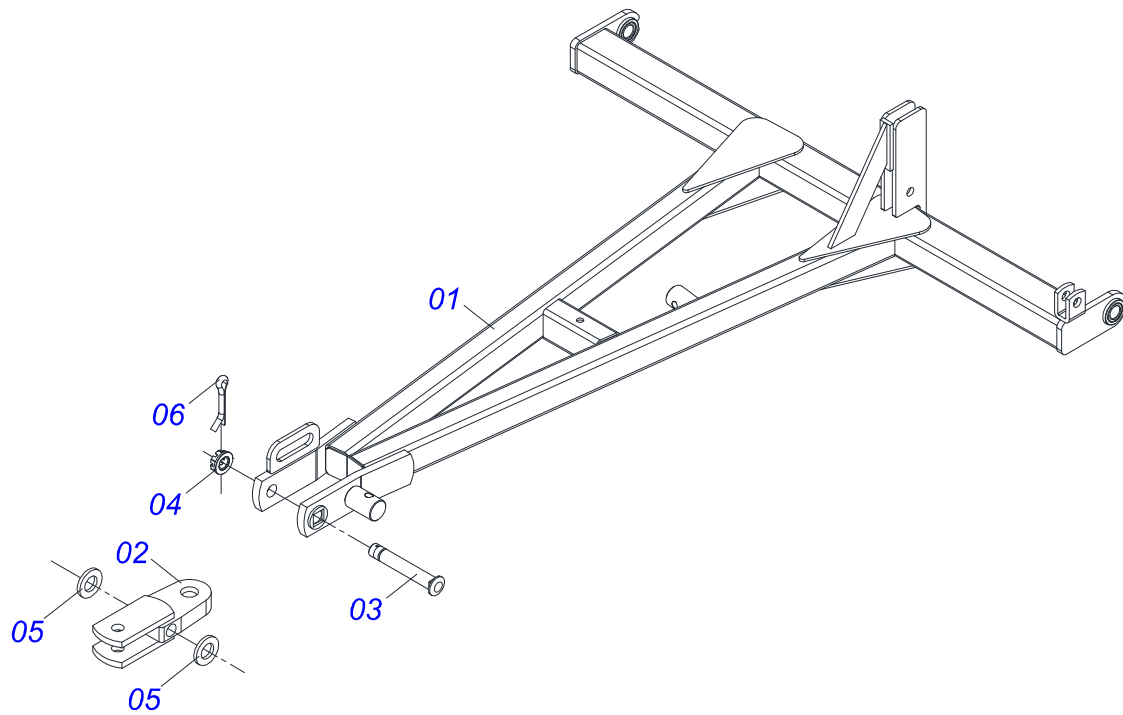
Item	Code	Description	See page	52	68
29	0503010523	1/4" X 2" COTTERPIN		06	06
30	0501064699	SPRING ROD		01	01
31	0503030541	3.4" X 8.0" X 0.8" SPRING		01	01
32	0541011426	SPRING GUIDE		01	01
33	0501010087	1.1/4" NUT		02	02
34	0521010592	1.1" X 3.1" COUPLING SHAFT		01	01
35	0501040257	3/4 X 1200 HOSE HOLDER A		01	01
35A	0511067334	HOSE SOPPORT ASSY		01	01
35B	0503010014	3/4" NUT		02	02
35C	0501010322	FLAT WASHER		02	02
36	0511041598	1.75" X 3" X 20"X 8" HYDRAULIC CYLINDER	6	02	02
37	0521010779	31.75 X 95 COUPLING SHAFT		02	02
38	0521010544	1.2" X 4.9" COUPLING SHAFT		02	02
39	0511010932	TRANSPORT LOCK		02	02
40	0501068994	0.3" X 3.1"LOCK PIN		02	02
41	0503030168	HAIR PIN		02	02
42	0521010453	AXI SHAFT		01	01
43	0503031035	HAIR PIN		01	01
44	0501047885	ROD STOP		02	02
45	0501047887	ROD STOP		02	02
46	0501047895	ROD STOP		02	02
47	0511069781	80 X 120 X 8,80 X 3205 TUBE		00	02
47.	0521065637	80 X 120 X 242 TUBE		02	00
48	0511069782	80 X 120 X 8,80 X 3450 TUBE		00	02
48.	0521065657	80 X 120 X 8,80 X 2665 TUBE		02	00
49	0551019476	1646 BAR FIXER SCRAPER		00	04
49.	0571017807	1055 BAR OF THE FIX OF THE SCRAPER		06	00
50	0551019477	1252 BAR FIXER SCRAPER		02	02
51	0551019478	1449 BAR FIXER SCRAPER		00	02
52	0503013842	5/8" UNC X 1-3/4" BOLT		16	16
53	0503010013	5/8" NUT		16	16
54	0501012140	FLAT WASHER		16	16
55	0511065266	LEFT FRONT BRACKET REAR RIGHT		08	08
56	0511065942	RIGHT FRONT BRACKET REAR LEFT		08	08
57	0502012323	BRACKET FIXER		16	16
58	0501010191	1" X 6" BOLT		32	32
59	0501010059	1.5/8 NUT		32	32
60	0541010210	FLAT WASHER		32	32
61	0541015258	SCRAPER BODY		66	66
62	0541015256	SHOVEL SCRAPER		25	33
63	0541015257	SHOVEL SCRAPER		25	33
64	0501010243	1/2" X 1-1/2" BOLT		150	198
65	0503010020	1/2"NUT		152	200
66	0511065841	SUPPORT SWEEP		01	01
67	0628095654	CHISEL SWEEP		01	01
68	0541011468	EAR SUPPORT FIXER SHANKS		02	02
69	0501013475	3/4 UNC X 7.1/2 C S G.5 ZNBOLT		04	04
70	0511065265	REGULACION UPPER FRAME		02	02
71	0511065267	1700 STABILIZER TURNBUCKLE		02	02
72	0541011408	SPACER 26.99 X 38.1 X 82		04	04
73	0501044075	1" X 6" ASSY BOLT		04	04
73A	0503011377	1" X 6" BOLT		04	04
73B	0541010210	FLAT WASHER		04	04
73C	0501010059	1.5/8 NUT		04	04
74	0511069780	JACK REGULATOR		02	02
75	0521011158	SPRING LOCKNUT		02	02
76	0541019090	32,50 X 50 X 32 SLEEVE		02	02
77	0503010292	0.2" X 1.6" SPRING PIN		02	02
78	0541011456	NYLON WASHER		04	04



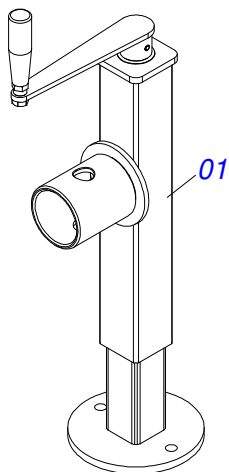
ASSY FRAME

0909092421

Item	Code	Description	See page	52	68
79	0503011148	3/8" X 1/2" BOLT		02	02
80	0501010141	1/2" X 2-1/2" BOLT		02	02
81	0501061617	1" GANG BOLT WRENCH		01	01
82	0501068273	5/8" WRENCH		01	01
83	0501011432	1-1/2" AND 1-5/8 GANG BOLT WRENCH		02	02
84	0521010580	COUPLING SHAFT		01	01
85	0503010002	1800 GREASE FITTING		01	01

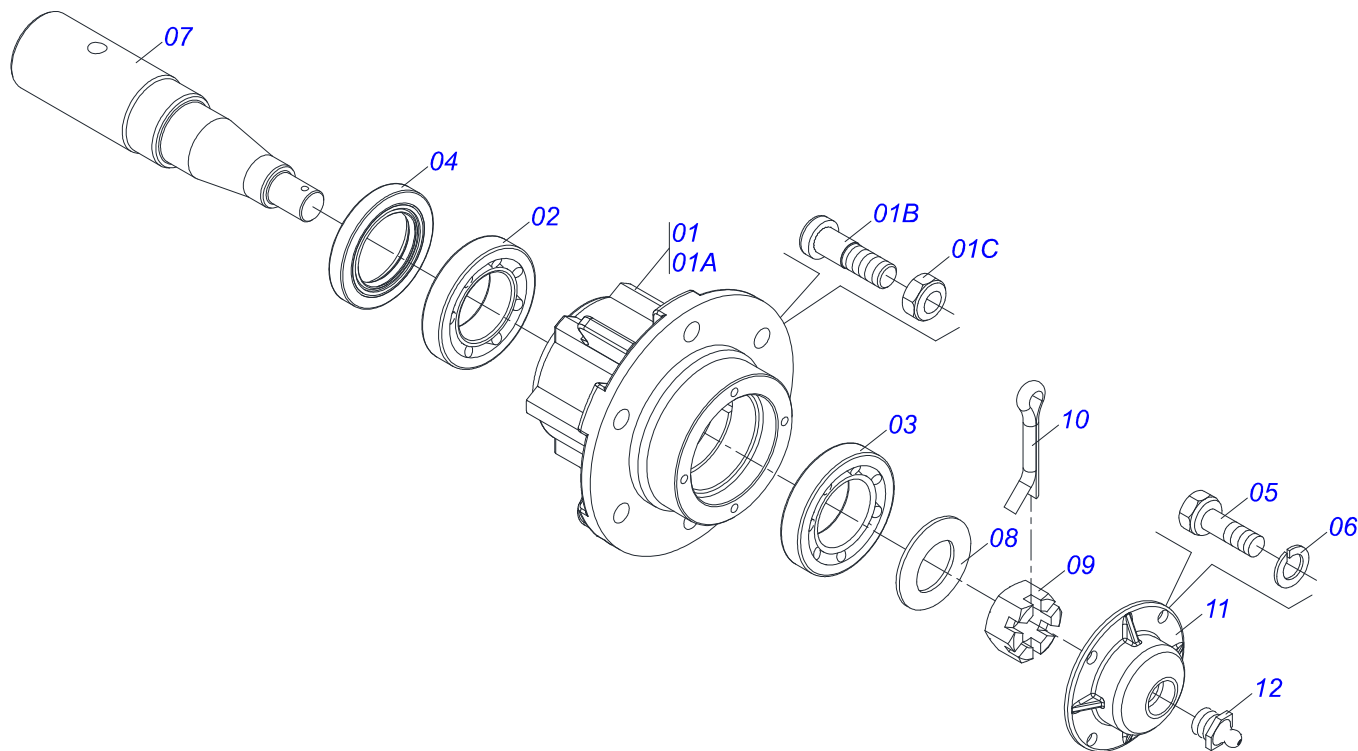


Item	Code	Description	See page	QT
001	0511069774	DRAWBAR		01
002	0511066235	TRACTOR HITCH		01
003	0531019124	1.5" X 9.6" COUPLING SHAFT		01
004	0501011301	1.1/2 UNC 6FPP 2.5/16 NUT		01
005	0521011100	FLAT WASHER		02
006	0503010010	1/4" X 2.1/2" COTTERPIN		01

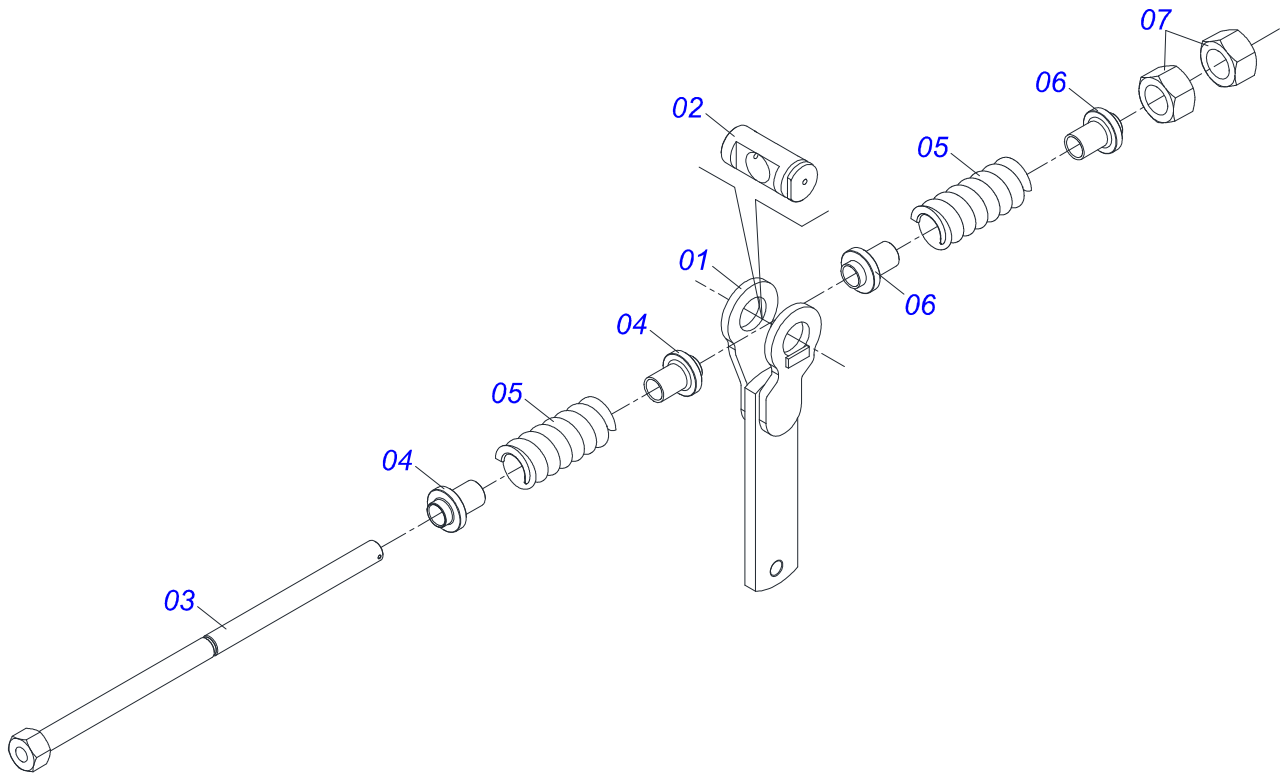


Item	Code	Description	See page	QT
01	0503062227	DRAWBAR JACK		01



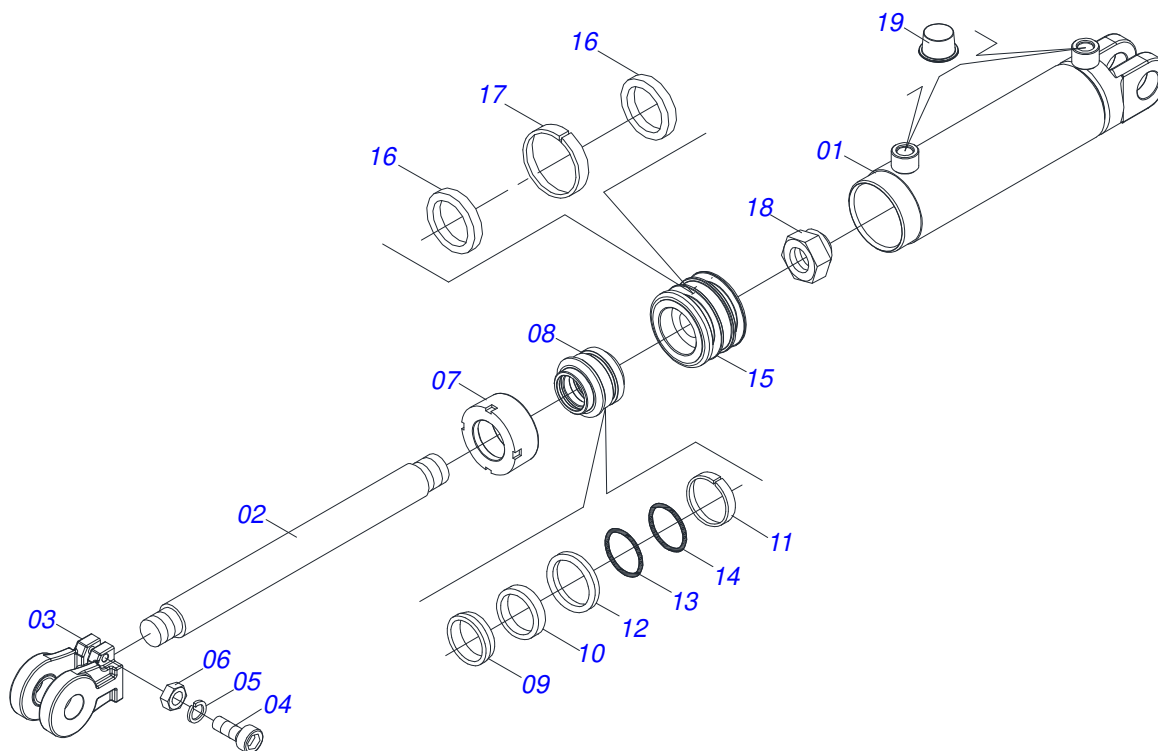


Item	Code	Description	See page	QT
01	0501110728	WHEEL HUB		01
01A	0502011121	CARRYING WHEEL HUB		01
01B	0501010127	9/16" X 1-7/8" LUG BOLT		06
01C	0503010035	9/16" CONIC NUT		06
02	0503012171	32210 ROLLER BEARING		01
03	0503012170	30207 ROLLER BEARING		01
04	0503012928	SEAL		01
05	0503010358	5/16" X 5/8" BOLT		04
06	0503011444	SPRING WASHER		04
07	0541010739	2.5" X 12.2" AXLE		01
08	0501016545	FLAT WASHER		01
09	0503030009	1" CASTLE NUT		01
10	0503010018	5/32 X 1-1/2 COTTERPIN		01
11	0502020591	PROTECCION COVER		01
12	0503010002	1800 GREASE FITTING		01

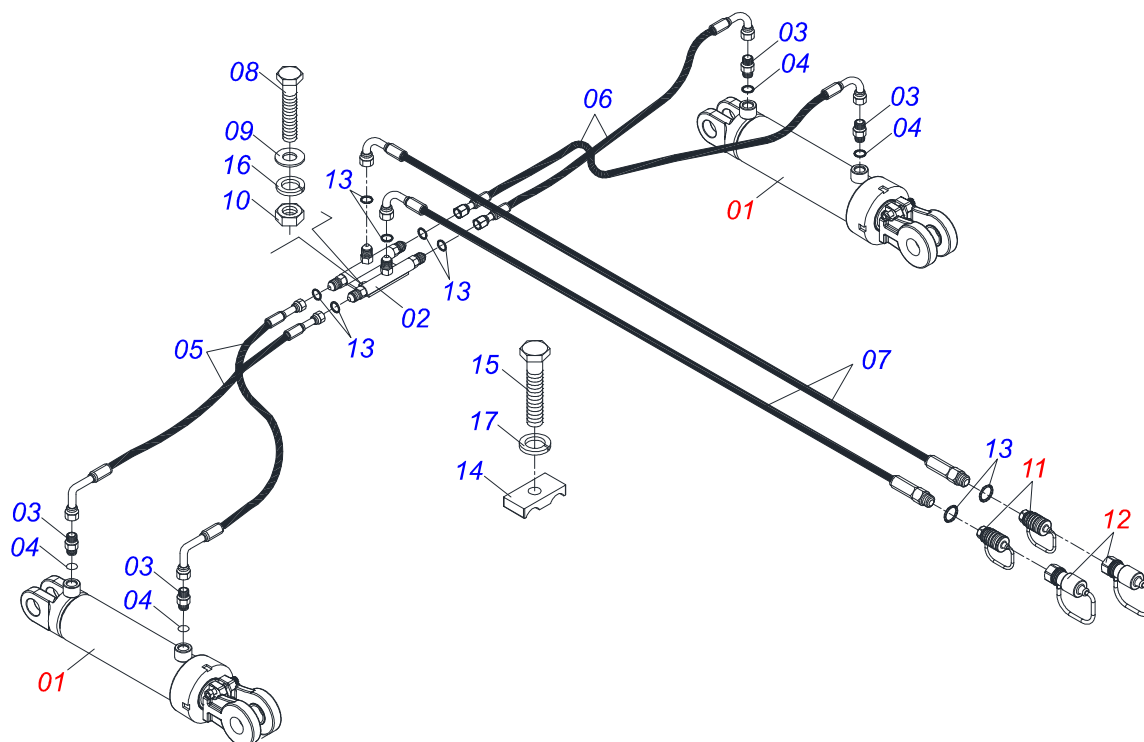


Item	Code	Description	See page	QT
001	0521065645	STABILIZER BAR TOWER		01
002	0551012054	GUIDE		01
003	0501069398	CRANK		01
004	0551012050	SLEEVE 39 X 47,20 X 80 X 95		02
005	0503030541	3.4" X 8.0" X 0.8" SPRING		02
006	0551012051	SLEEVE 39 X 47,20 X 80 X 55		02
007	0521011696	1.1/2" LEFT 38 NUT		02

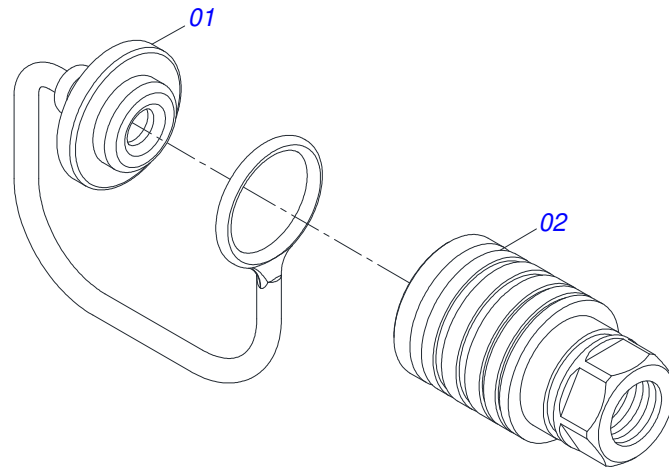
1.75" X 3" X 20" X 8" HYDRAULIC CYLINDER



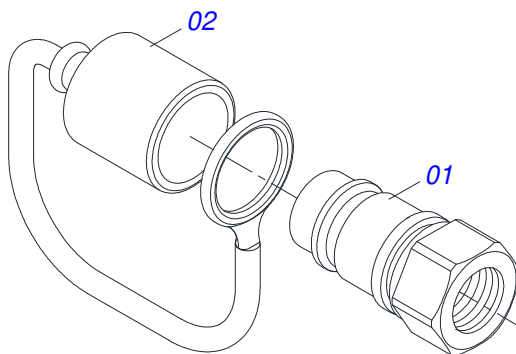
Item	Code	Description	See page	QT
01	0511064734	3" X 15" CYLINDER CASE		01
02	0531019381	1.7" X 16" TURNBUCLE		01
03	0502040747	32.54 CLEVIS CLAMP		01
04	0503011094	3/8" X 2" BOLT		01
05	0503010025	3/8" SPRING WASHER		01
06	0503010026	3/8" NUT		01
07	0502011899	MOBILE COVER		01
08	0502011897	RING SUPPORT		01
09	0503010761	D-1750 SCRAPER RING		01
10	0503010990	GASKET		01
11	0503010949	W2-2000-500 PK RING G.E		01
12	0503011059	8-334 BACK-UP RING		01
13	0503010343	2-334 N 3006-9B O'RING		01
14	0503010345	2-218 N 3006-9B O'RING		01
15	0502011898	1.8" X 3.0" PISTON		01
16	0503012768	3750-2250 GASKET		02
17	0503010992	W2-3000-500 PK RING G.E		01
18	0503010063	1" SELF-ALIGNING NUT		01
19	0503030384	CON PLUG N-001		02
20	0501033655	HYDRAULIC CYLINDER REPAIR KIT		01



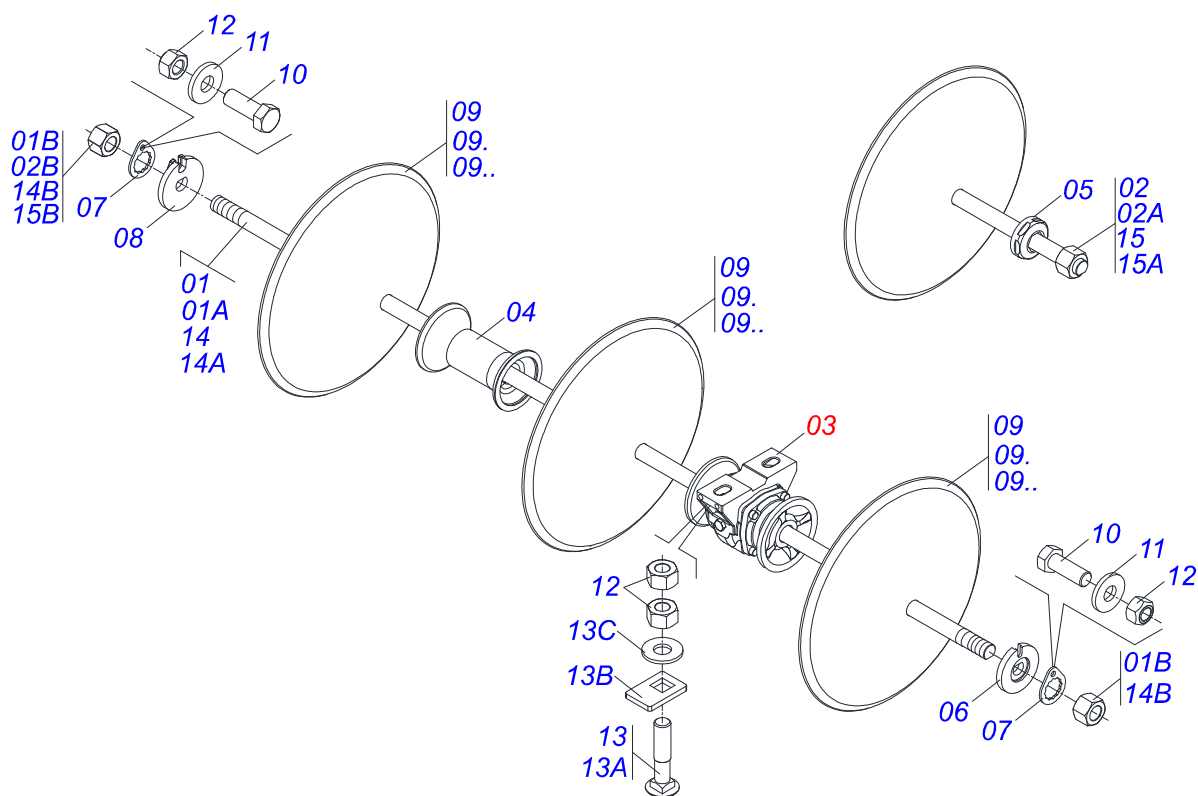
Item	Code	Description	See page	QT
01	0511041598	1.75" X 3" X 20"X 8" HYDRAULIC CYLINDER	6	02
02	0501068706	DOUBLE CONNECTION		01
03	0503030923	3/4" UNF X 13/16UN OFS X 40 NIPPLE		04
04	0503010190	2-114 N 3006-9B O'RING		04
05	0501080714	HOSE 3/8 X 1600 TR-TC		02
06	0501080461	TR-TC HOSE ASSY		02
07	0501080778	3/8" X 256" TC-TM HOSE ASSY		02
08	0503010237	3/8" X 1" BOLT		02
09	0501010984	FLAT WASHER		02
10	0503010026	3/8" NUT		02
11	0501053835	FEMALE QUICK COUPLER	8	02
12	0501053834	MALE QUICK COUPLER WITH CAP - 1/2 NPT	9	02
13	0503011030	2-014 N 3006-9B O'RING		08
14	0502010477	HOSE CLAMP		02
15	0503011102	BOLT 7/16 UNC X 1.1/4 C S G.5 ZN		02
16	0503010025	3/8" SPRING WASHER		02
17	0503010180	7/16" SPRING WASHER		02



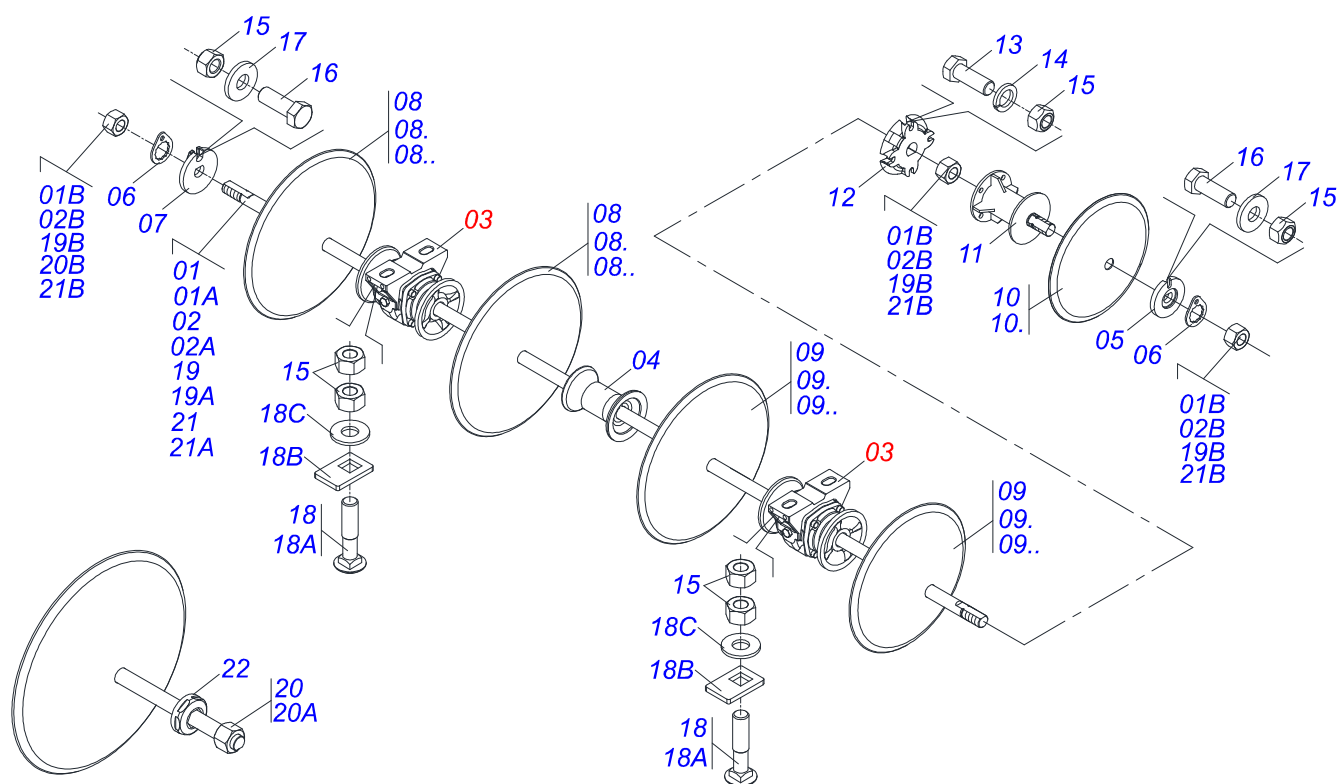
Item	Code	Description	See page	QT
01	0503011883	QUICK CONNECTION COVER		01
02	0503011628	FEMALE QUICK COUPLER		01



Item	Code	Description	See page	QT
01	0503011627	MALE QUICK COUPLER AGR 1/2 NPT		01
02	0503011882	MALE QUICK COUPLER CAP		01



Item	Code	Description	See page	52	68
01	0501044105	1.1/2 X 1305 AXLE W/NUT		01	02
01A	0511011914	1.1/2 X 1305 AXLE		01	02
01B	0501010110	1.1/2" NUT		02	02
02	0511047140	1.1/2 UNC 6FPP X 1880 AXLE W/NUTS		00	02
02A	0511069822	1.1/2 UNC 6FPP X 1880 AXLE W/NUTS		00	02
02B	0501010110	1.1/2" NUT		00	02
03	0511041365	BEARING	14	08	08
04	0502010627	SPACER		14	22
05	0502010619	1.1/2 EXTERNAL AXLE WASHER		04	04
06	0502010871	1-1/2" EXTERNAL AXLE WASHER		04	04
07	0501018592	1.5/8" NUT LOCK		07	06
08	0502010872	1-1/2" INNER AXLE WASHER		04	04
09	0601029418	22" X 3,5 PLAIN DISC BLADE		26	00
09.	0601029414	DL22X4,5 C63AF02FR1.9/16 TATU		00	34
09..	0601030246	24" X 0.2" PLAIN DISC BLADE		00	34
10	0503011267	BOLT 5/8 UNC X 1.1/2 C S G.5 ZN		06	06
11	0501012140	FLAT WASHER		06	06
12	0503010013	5/8" NUT		38	38
13	0501058802	5/8 UNC X 2.3/4 BOLT ASSY		16	16
13A	0503015154	5/8" X 2.3/4" BOLT		16	16
13B	0501010947	5/8 NUT LOCK		16	16
13C	0501012140	FLAT WASHER		16	16
14	0501043869	AXLE		02	00
14A	0511011894	AXLE		02	00
14B	0501010110	1.1/2" NUT		02	00
15	0521045262	1-1/2" X 1292 AXLE ASSY		01	00
15A	0521065638	1-1/2" X 1292 AXLE ASSY		01	00
15B	0501010110	1.1/2" NUT		01	00



Item	Code	Description	See page	52	68
01	0501043697	1.1/2" X 1505 AXLE ASSY		00	02
01A	0511012601	1.1/2" X 1505 AXLE		00	01
01B	0501010110	1.1/2" NUT		00	02
02	0501046884	1.1/2 X 1705 AXLE W/NUT		00	01
02A	0501018720	1.1/2 X 1705 AXLE		00	01
02B	0501010110	1.1/2" NUT		00	02
03	0511041365	BEARING	14	08	08
04	0502010627	SPACER		14	22
05	0502010871	1-1/2" EXTERNAL AXLE WASHER		04	04
06	0501018592	1.5/8" NUT LOCK		08	08
07	0502010872	1-1/2" INNER AXLE WASHER		04	04
08	0601029416	DL22X4 C64AF02FR1.9/16 TATU		22	00
08.	0601029413	DL22X4,5 C64AF02FR1.9/16 TATU		00	30
08..	0601030246	24" X 0.2" PLAIN DISC BLADE		00	30
09	0601027291	24" X 4" PLAIN DISC BLADE		04	00
09.	0601027299	DL20X4,5 C57AF02FR1.9/16 TATU		00	04
09..	0601029192	DL22X4,75 C63AF02FR39,29 USA		00	04
10	0601025085	DL18X4,5 C44AF02FR39,29 WIESE		02	02
10.	0601027051	DL20X4,75 C53AF02FR39,29 WIESE		00	02
11	0521062026	SPACING 157 (ESP 195)		02	02
12	0502012376	1-1/2" EXTERNAL AXLE LOCK		02	02
13	0503010232	5/8" X 1.3/4" BOLT		08	08
14	0503010027	5/8" SPRING WASHER		08	08
15	0503010013	5/8" NUT		40	40
16	0503011267	BOLT 5/8 UNC X 1.1/2 C S G.5 ZN		40	40
17	0501012140	FLAT WASHER		08	08
18	0501058802	5/8 UNC X 2.3/4 BOLT ASSY		16	16
18A	0503015154	5/8" X 2.3/4" BOLT		16	16
18B	0501010947	5/8 NUT LOCK		16	16
18C	0501012140	FLAT WASHER		16	16
19	0501043869	AXLE		02	00

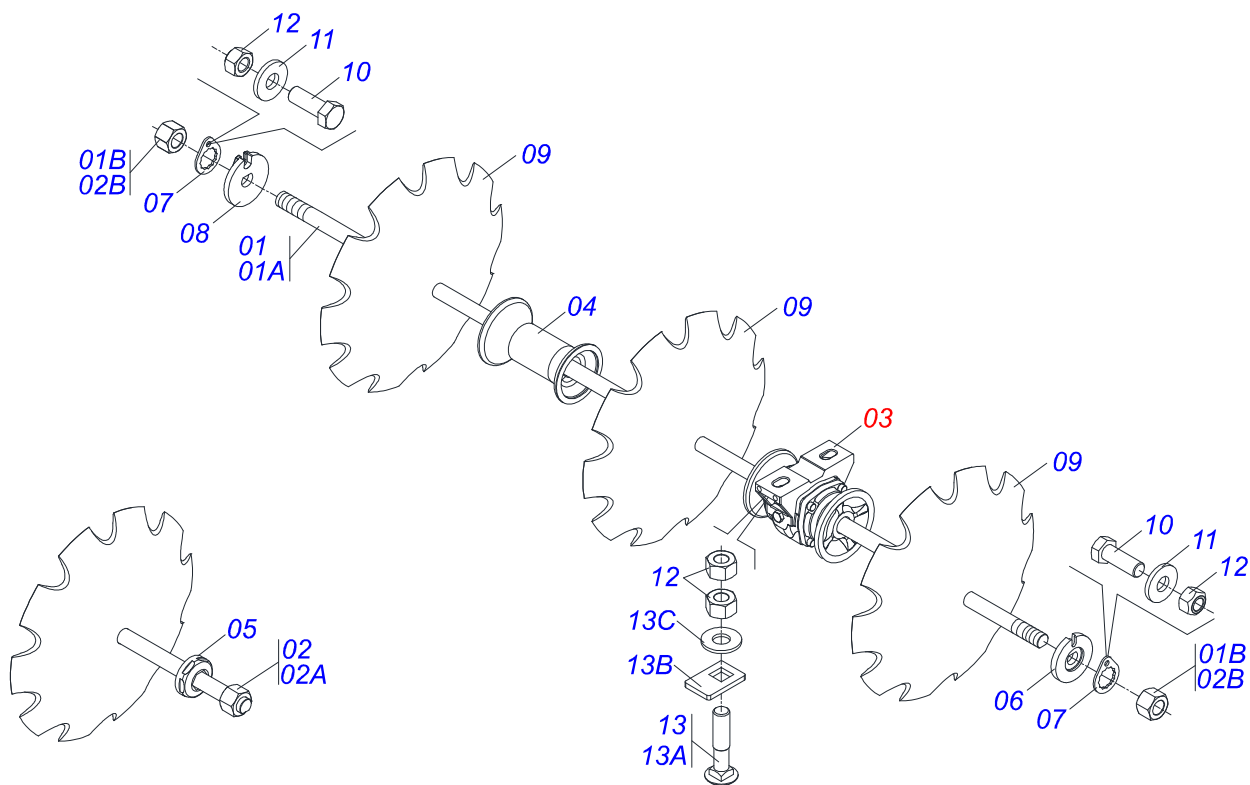




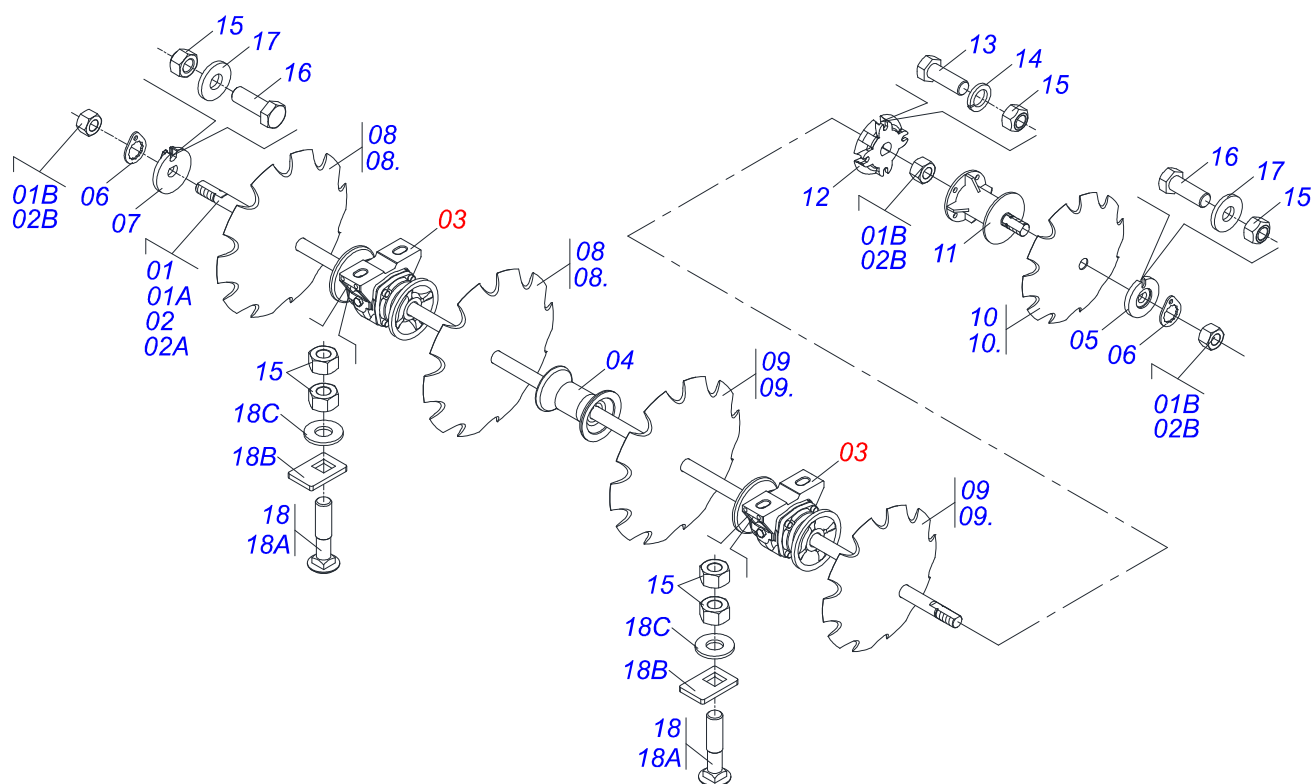
**TDHR 5007T 52 A 68D**  
**REAR DISC SECTION - DL**

Page 11  
0909092423

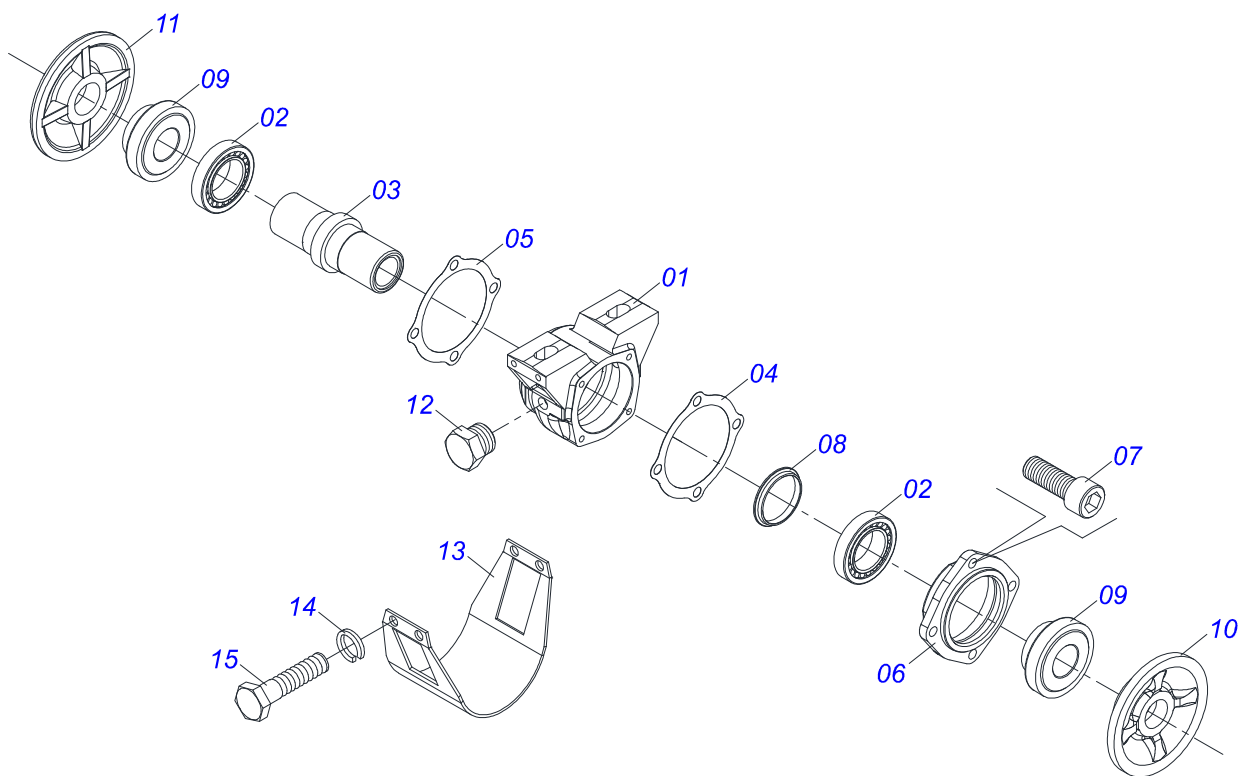
Item	Code	Description	See page	52	68
19A	0511011894	AXLE		01	00
19B	0501010110	1.1/2" NUT		02	00
20	0521045262	1-1/2" X 1292 AXLE ASSY		01	00
20A	0521065638	1-1/2" X 1292 AXLE ASSY		01	00
20B	0501010110	1.1/2" NUT		02	00
21	0501044105	1.1/2 X 1305 AXLE W/NUT		01	00
21A	0511011914	1.1/2 X 1305 AXLE		01	00
21B	0501010110	1.1/2" NUT		02	00
22	0502010619	1.1/2 EXTERNAL AXLE WASHER		01	01



Item	Code	Description	See page	68
01	0501044105	1.1/2 X 1305 AXLE W/NUT		02
01A	0511011914	1.1/2 X 1305 AXLE		02
01B	0501010110	1.1/2" NUT		02
02	0511047140	1.1/2 UNC 6FPP X 1880 AXLE W/NUTS		02
02A	0511069822	1.1/2 UNC 6FPP X 1880 AXLE W/NUTS		02
02B	0501010110	1.1/2" NUT		02
03	0511041365	BEARING	14	08
04	0502010627	SPACER		22
05	0502010619	1.1/2 EXTERNAL AXLE WASHER		04
06	0502010871	1-1/2" EXTERNAL AXLE WASHER		04
07	0501018592	1.5/8" NUT LOCK		06
08	0502010872	1-1/2" INNER AXLE WASHER		04
09	0602030237	24" X 4,75" NOTCHED DISC BLADE		34
10	0503011267	BOLT 5/8 UNC X 1.1/2 C S G.5 ZN		06
11	0501012140	FLAT WASHER		06
12	0503010013	5/8" NUT		38
13	0501058802	5/8 UNC X 2.3/4 BOLT ASSY		16
13A	0503015154	5/8" X 2.3/4" BOLT		16
13B	0501010947	5/8 NUT LOCK		16
13C	0501012140	FLAT WASHER		16



Item	Code	Description	See page	68
01	0501043697	1.1/2" X 1505 AXLE ASSY		02
01A	0511012601	1.1/2" X 1505 AXLE		01
01B	0501010110	1.1/2" NUT		02
02	0501046884	1.1/2 X 1705 AXLE W/NUT		01
02A	0501018720	1.1/2 X 1705 AXLE		01
02B	0501010110	1.1/2" NUT		02
03	0511041365	BEARING	14	08
04	0502010627	SPACER		22
05	0502010871	1-1/2" EXTERNAL AXLE WASHER		04
06	0501018592	1.5/8" NUT LOCK		08
07	0502010872	1-1/2" INNER AXLE WASHER		04
08	0602029416	DR22X4,5 C64AF02FR1.9/16 10REC TATU		34
08.	0602030237	24" X 4,75" NOTCHED DISC BLADE		30
09	0602027342	DR20X4,5 C57AF02FR1.5/16 10R TATU		04
09.	0602029396	22X4,75 NOTCHED DISC BLADE		04
10	0602025263	18" X 4,5 NOTCHED DISC BLADE		02
10.	0602027160	DR20X4,75 C50AF02FR39,29 10REC WIES		02
11	0521062026	SPACING 157 (ESP 195)		02
12	0502012376	1-1/2" EXTERNAL AXLE LOCK		02
13	0503010232	5/8" X 1.3/4" BOLT		08
14	0503010027	5/8" SPRING WASHER		08
15	0503010013	5/8" NUT		40
16	0503011267	BOLT 5/8 UNC X 1.1/2 C S G.5 ZN		40
17	0501012140	FLAT WASHER		08
18	0501058802	5/8 UNC X 2.3/4 BOLT ASSY		16
18A	0503015154	5/8" X 2.3/4" BOLT		16
18B	0501010947	5/8 NUT LOCK		16
18C	0501012140	FLAT WASHER		16



Item	Code	Description	See page	QT
01	0502011751	OIL HOUSING BEARING	01	01
02	0503010006	32210 ROLLER BEARING	02	02
03	0502040061	AXLE	01	01
04	0503030013	4.4" X 3.5" X 0.004" JOINT	03	03
05	0503030684	4.4" X 3.5" X 0.004" JOINT	02	02
06	0502020424	HOUSING CAP	01	01
07	0503010134	3/8" X 1" BOLT	04	04
08	0503030026	SEAL LP JB-253	02	02
09	0502010541	SEAL RETAINER	02	02
10	0502010604	OUTER FLANGE	01	01
11	0502010605	INNER FLANGE	01	01
12	0503010856	OIL PLUG	02	02
13	0511010829	BEARING GUARD	01	01
14	0503010025	3/8" SPRING WASHER	04	04
15	0503011334	BOLT 3/8 UNC X 3/4 CS G.5 ZN	04	04





[www.marchesan.com.br](http://www.marchesan.com.br)



**Technical Publications | Elaboration and Revision**  
ALESSANDRA PATRICIA KAWAHARA CARRILI