

OFFSET DISK HARROW

GCRO 7010 AXLE 1.3/4" ARTICULATED HYDRAULIC (3,5M) - 44D

Code: 0501091823

Series: S-0915

Revision: 00

Date Revision: MAIO/2022

PARTS CATALOGUE



MARCHESAN



PRODUCTS

Code	Description	
0102560231	GCRO 7010 44X28X7,5 DMO ESPECIAL	S-0915
0102560229	GCRO 7010 44X30X7,5 DMO ESPECIAL	S-0915

ATTENTION: IMPORTANT

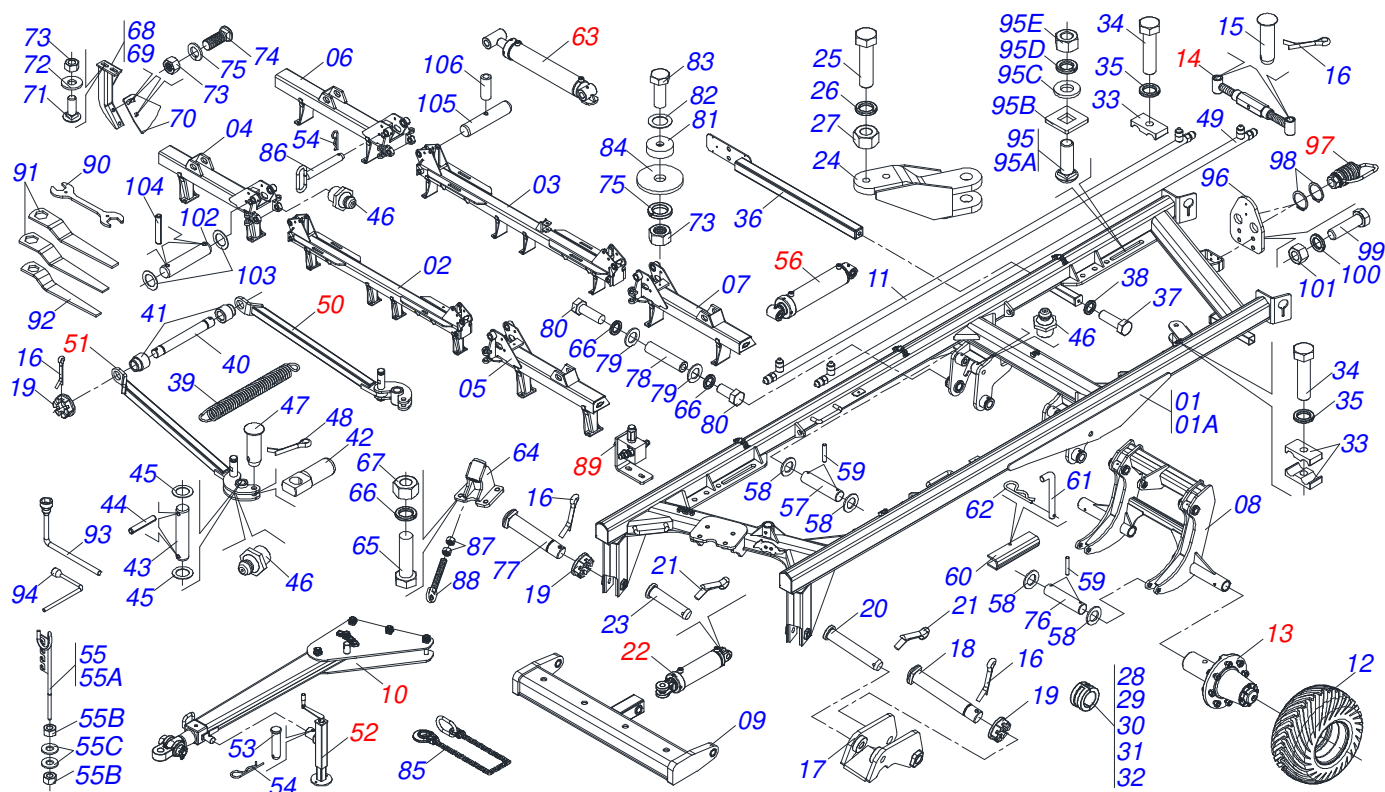
Marchesan S.A. reserves the right to improve and/or modify the technical features of its products, without obligation to do the same with those products already sold and without prior knowledge of the dealer or the consumer. The photos are only illustrative.



MARCHESAN

INDEX

0909092405	ASSY FRAME	1
0511045200	ASSY TRACTION BAR WITH HITCH 3	2
0501056467	STUB SHAFT & HUB ASSY	3
0501052005	STABILIZER FOR GANG	4
0511048088	DRAWBAR JACK	5
0501057273	PIVOT ARM ASSY	6
0501057274	LH REAR DRIVER ARM	7
0511059196	VALVE ASSY	8
0501053835	FEMALE QUICK COUPLER	9
0501053834	MALE QUICK COUPLER	10
0909092407	SECTION BLADES FRONT RIGHT / LEFT SIDE	11
0909092408	FRONT / REAR CENTER DISC SECTION	12
0909092409	RIGHT SIDE REAR DISC SECTION	13
0909092410	LEFT SIDE REAR DISC SECTION	14
0511048362	BEARING	15
0909092413	HYDRAULIC CIRCUIT FRAME ARTICULATE	16
0909092414	HYDRAULIC CIRCUIT OF THE WHEELS WITH VALVE CYLINDER	17
0521046001	50,80 X 101,60 X 410 X 107 HYDRAULIC CILINDER	18
0511057940	HYDRAULIC CILINDER	19



Item	Code	Description	See page	QT
001	0521046072	GCRO 7010 40 A 48 FRAME		01
001A	0521066454	FRAME		01
002	0521066459	FRONT CENTRAL FRAME		01
003	0521066458	REAR CENTRAL FRAME		01
004	0521066573	RIGHT SIDE REAR FRAME 48D (4400)		01
005	0521066572	LEFT SIDE FRONT FRAME 48D (4400)		01
006	0521066571	RIGHT SIDE REAR FRAME 48D (4400)		01
007	0521066574	LEFT SIDE REAR FRAME 48D (4400)		01
008	0521066478	CARRYNG-WHEELS		01
009	0521066449	HITCH BAR		01
010	0511045200	ASSY TRACTION BAR WITH HITCH 3	2	01
011	0521066126	DISTRIBUTOR OIL TUBE		02
012	0503060102	WHEEL AND TIRE		02
013	0501056467	STUB SHAFT & HUB ASSY	3	02
014	0501052005	STABILIZER FOR GANG	4	01
015	0521010546	1.2" X 5.7" COUPLING SHAFT		02
016	0503010010	1/4" X 2.1/2" COTTERPIN		13
017	0511064656	DRAWBAR PIVOT		01
018	0521012053	1.5" X 8.6" AXLE		01
019	0501011301	1.1/2 UNC 6FPP 2.5/16 NUT		11
020	0531019171	1.25" X 7" COUPLING SHAFT		01
021	0503010523	1/4" X 2" COTTERPIN		02
022	0521046001	50,80 X 101,60 X 410 X 107 HYDRAULIC CILINDER	18	01
023	0521012538	1.2" X 3.5" COUPLING SHAFT		01
024	0511064810	REAR HITCH		01
025	0503011346	7/8" X 3-1/2" BOLT		02
026	0503010408	7/8" SPRING WASHER		02
027	0503010417	7/8" NUT		02
028	0501047895	ROD STOP		06
029	0501047885	ROD STOP		03
030	0501047886	ROD STOP		03



ASSY FRAME

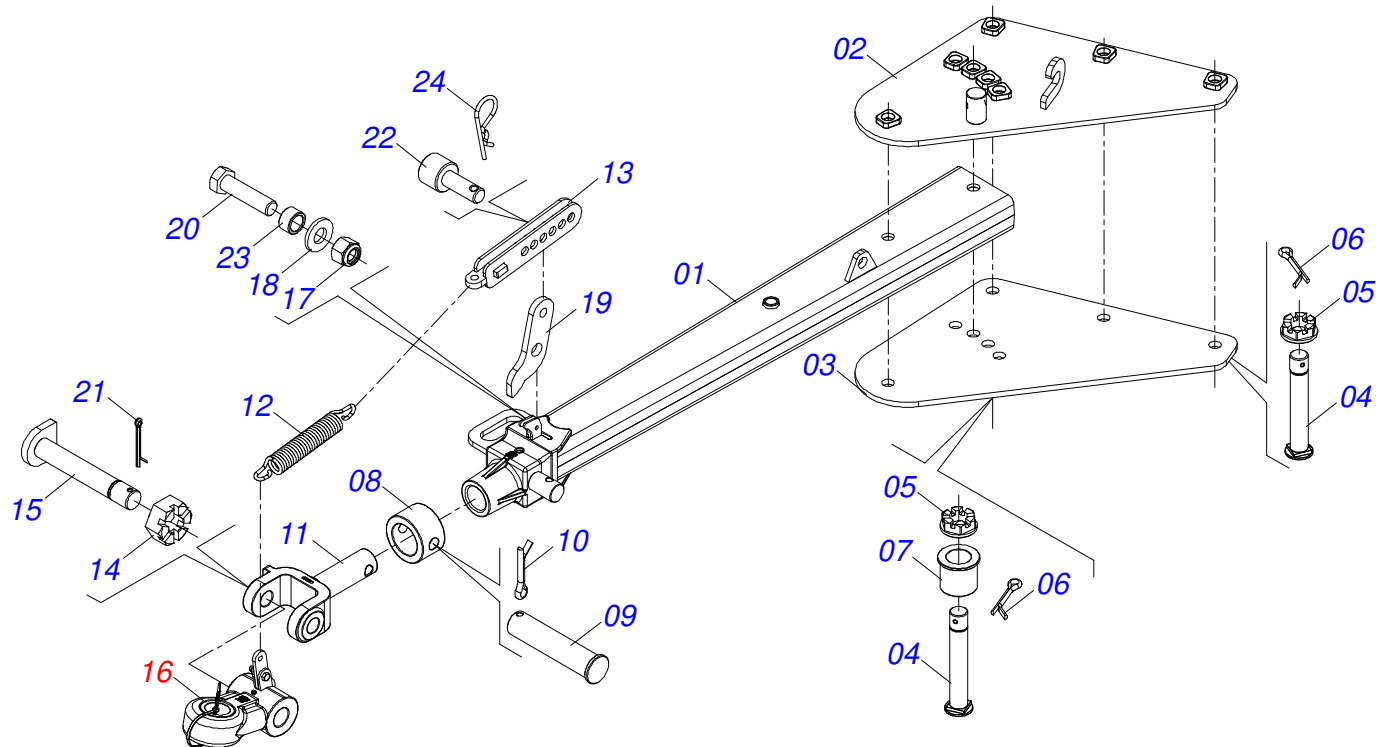
0909092405

Item	Code	Description	See page	QT
031	0501047887	ROD STOP		03
032	0501047888	ROD STOP		03
033	0502010477	HOSE CLAMP		15
034	0503011135	BOLT		09
035	0503010180	7/16" SPRING WASHER		13
036	0521066443	SUPPORT FIXER LANTERN		02
037	0501010098	3/4" UNC BOLT		02
038	0503010023	3/4" SPRING WASHER		04
039	0503032537	50,7 X 325 X 6,35 TRACTION SPRING		04
040	0501210091	ARTICULATOR PIVOT AXIS		04
041	0541016614	38,20 X 62 X 61 SLEEVE		08
042	0541019253	FRAME LOCK AXLE		08
043	0541016677	37,20 X 177 COUPLING SHAFT		08
044	0503010361	SPRING PIN		16
045	0511019685	FLAT WASHER		16
046	0503010002	1800 GREASE FITTING		39
047	0521010572	0.9" X 2.9" COUPLING SHAFT		08
048	0503010571	1/4" X 1.1/2 COTTERPIN		08
049	0521066937	DUCT DISTRIBUTOR OF OIL		02
050	0501057273	PIVOT ARM ASSY	6	04
051	0501057274	LH REAR DRIVER ARM	7	04
052	0511048088	DRAWBAR JACK	5	01
053	0561014251	COUPLING SHAFT		01
054	0503030012	HITCH PIN CLIP		05
055	0501040257	3/4 X 1200 HOSE HOLDER A		01
055A	0511067334	HOSE SOPPORT ASSY		01
055B	0503010014	3/4" NUT		02
055C	0501010322	FLAT WASHER		02
056	0521051832	HYDRAULIC CYLINDER 53,98 X 114,30 X 654 X 346		02
057	0531018105	1.2" X 11.8" PIVOT SHAFT		02
058	0501017779	32 X 60 X 4.75 FLAT WASHER		08
059	0503011877	0.3" X 2.4" SPRING PIN		08
060	0561016693	TRANSPORT LOCK		02
061	0541016844	FIXER LOCK		02
062	0503030168	HITCH PIN CLIP		02
063	0511057940	HYDRAULIC CILINDER	19	04
064	0521066580	CYLINDER FIXER		01
065	0501010276	BOLT		04
066	0503010012	1" SPRING WASHER		08
067	0501010059	1.5/8 NUT		04
068	0511065926	FRONT SCRAPER SUPPORT		22
069	0511065925	REAR SCRAPER SUPPORT		23
070	0561014263	CLEANER SHOVEL		23
071	0503013842	5/8" UNC X 1-3/4" BOLT		90
072	0501012140	FLAT WASHER		110
073	0503010013	5/8" NUT		184
074	0503012195	5/8" NUT		90
075	0503010027	5/8" SPRING WASHER		94
076	0531018101	1.2" X 6.3" PIVOT SHAFT		02
077	0531018100	37,50 X 200 COUPLING SHAFT		02
078	0531018062	COUPLING SHAFT		02
079	0521011565	FLAT WASHER		04
080	0503011250	1" X 2" BOLT		04
081	0521011481	FRAME BATTERY		04
082	0571010265	16.5 X 40 X 3 FLAT WASHER		04
083	0503010233	5/8" X 2-1/2" BOLT		04
084	0571013284	17.5 X 90 X 4.75 FLAT WASHER		01
085	0503013150	1300 X 3/8 CHAIN		01
086	0501069463	1" X 8" LOCK PIN		04

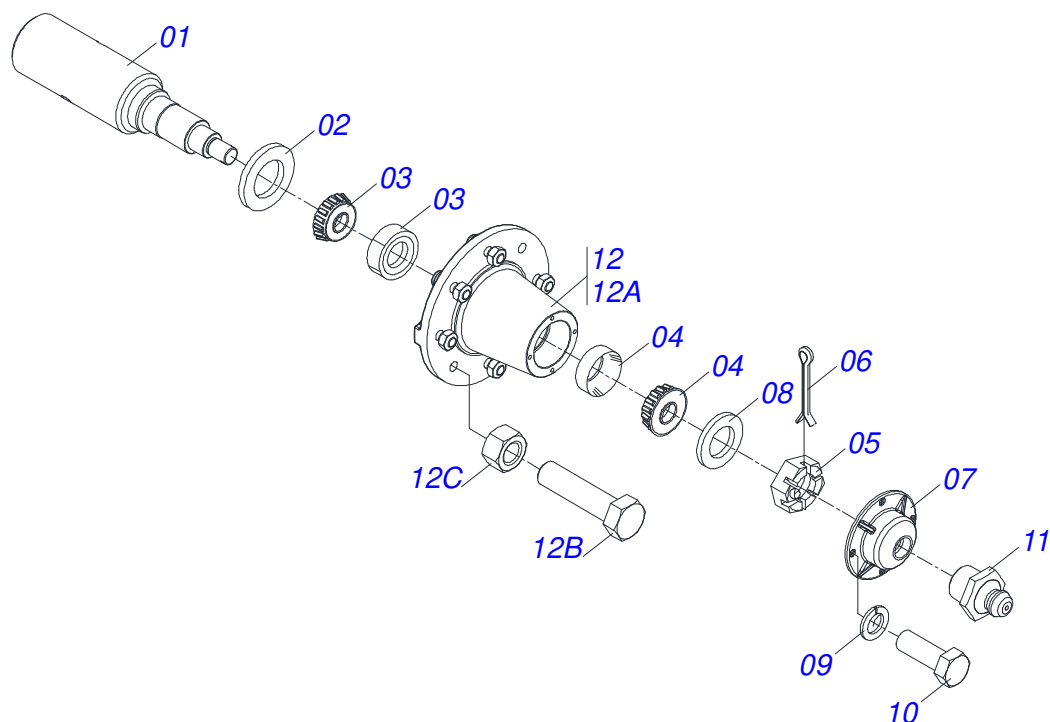


**GCRO 7010 AXLE 1.3/4" ARTICULATED HYDRAULIC (3,5M) -
ASSY FRAME**

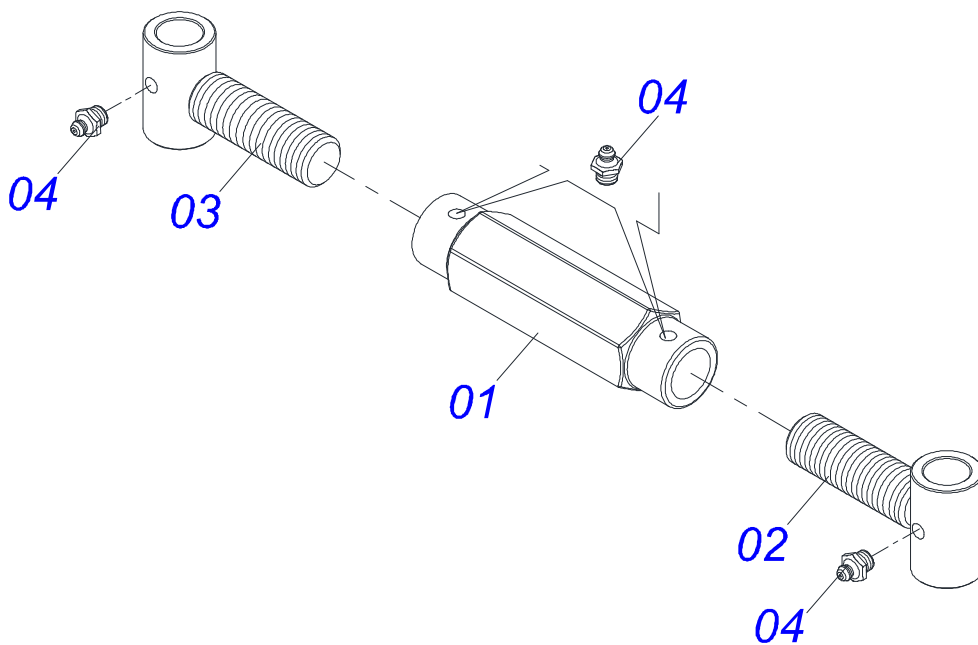
Item	Code	Description	See page	QT
087	0501010333	1.3/4" NUT		02
088	0511064433	REGULATOR SPINDLE 1-3/4		01
089	0511059196	VALVE ASSY	8	01
090	0541015451	FIXED KEY 2.3/8 X 2.3/4		01
091	0501011431	1-3/4" GANG BOLT WRENCH		01
092	0501011432	1-1/2" AND 1-5/8 GANG BOLT WRENCH		01
093	0503016137	1-1/4" WRENCH CABLE CYLINDER		01
094	0503016140	3/4" WRENCH CABLE CYLINDRICAL		01
095	0501041102	1-1/4" X 3-3/4" ASSY BOLT		01
095A	0501015348	1-1/4" X 3-3/4" BOLT		01
095B	0501010953	1-1/4" SQUARE WASHER		01
095C	0531010713	FLAT WASHER		01
095D	0503010070	SPRING WASHER		01
095E	0501010087	1.1/4" NUT		01
096	0581010373	QUICK COUPLING SUPPORT		01
097	0501053835	FEMALE QUICK COUPLER	9	02
098	0503010217	501040 CLAMPING RING (FOR AXLE)		04
099	0503011082	C1/2" X 1.3/4" SCREW		04
100	0503010019	1/2" SPRING WASHER		04
101	0503010060	1/2" NUT		04
102	0521011720	2.0" X 15.7" COUPLING SHAFT		04
103	0511019776	FLAT WASHER		08
104	0503011069	0.4" X 2.8" SPRING PIN		08
105	0541016676	1.1/2 X 175 AXLE		04
106	0503013662	1/2" X 1" BOLT		04



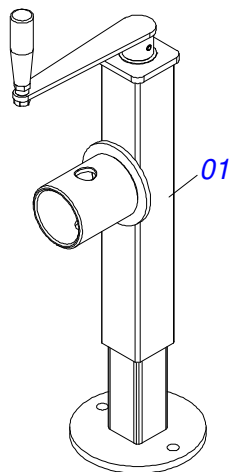
Item	Code	Description	See page	QT
01	0511064669	DRAWBAR ASSY	01	01
02	0511067825	UPPER PLATE	01	01
03	0511067826	LOWER PLATE	01	01
04	0521011880	37,5 X 242 COUPLING SHAFT	05	05
05	0501011301	1.1/2 UNC 6FPP 2.5/16 NUT	05	05
06	0503010010	1/4" X 2.1/2" COTTERPIN	05	05
07	0591013086	SLEEVE	01	01
08	0502040263	ANEL TRAVA ENGATE	01	01
09	0561017306	COUPLING SHAFT	01	01
10	0503010523	1/4" X 2" COTTERPIN	01	01
11	1902040897	TRACTOR HITCH	01	01
12	0503031741	1.8" X 11.4" 0.3" TRACTION SPRING	01	01
13	0531061607	SPRING REGULATOR	01	01
14	0502040558	2" CASTLE NUT	01	01
15	0531061122	AXIS ARTICULATOR	01	01
16	0531040171	ASSY HITCH	01	01
17	0503010589	1/2" UNC SELF ADJUSTING NUT	01	01
18	0501010937	13.5 X 28 X 3 FLAT WASHER	01	01
19	0591014554	REAR EAR FIXING SPRING	01	01
20	0503010740	BOLT 1/2 UNC X 2 CS G.5 ZN	01	01
21	0503010074	3/8 X 0,15" COTTERPIN	01	01
22	0591014558	SPRING REGULATOR FIXER AXLE	01	01
23	0591014552	SLEEVE	01	01
24	0503030285	HITCH PIN CLIP	01	01



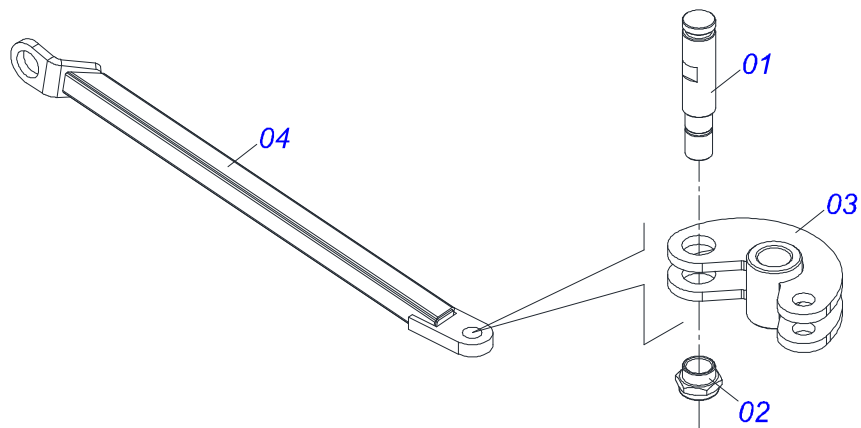
Item	Code	Description	See page	QT
01	0541016566	POINT AXIS 3.1/2 X 375		01
02	0503013314	RETAINER 5166-GB 63,5 X 110 X 13 ARCA		01
03	0503015290	3780/3720 ROLLER BEARING		01
04	0503014821	ROLLER BEARING		01
05	0503830009	1" X 0.9" CASTLE NUT		01
06	0503010018	5/32 X 1-1/2 COTTERPIN		01
07	0502020591	PROTECCION COVER		01
08	0511812492	FLAT WASHER		01
09	0503011444	SPRING WASHER		04
10	0503810358	5/16" X 7/8" UNC BOLT		04
11	0503010002	1800 GREASE FITTING		01
12	0501110738	CARRYING WHEEL HUB		01
12A	0502012260	TRANSPORT WHEEL BOX		01
12B	0501010186	WHEEL SCREW 5/8UNF X 2.1/8CR		08
12C	0503010064	5/8 UNF CONIC NUT		08



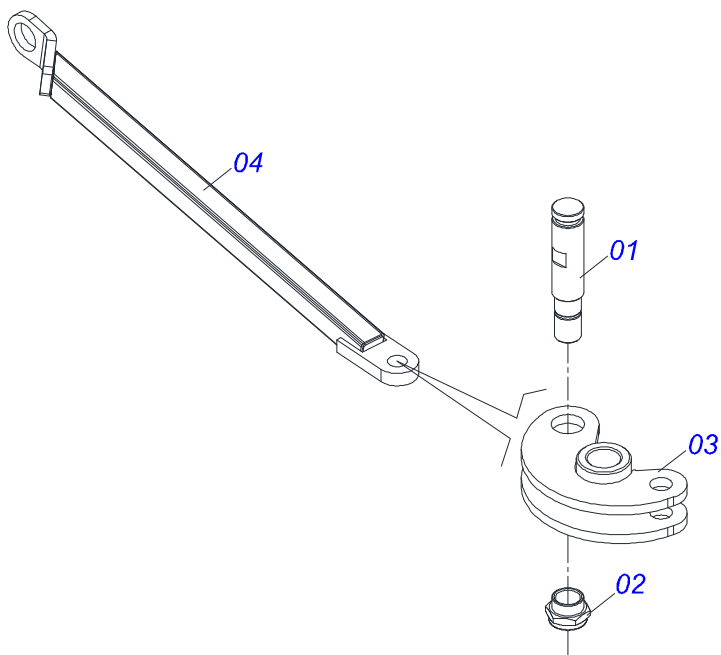
Item	Code	Description	See page	QT
01	0502011469	245 ADJUSTMENT NUT		01
02	0501069416	JACKET		01
03	0501069417	JACK CRANK		01
04	0503010002	1800 GREASE FITTING		04



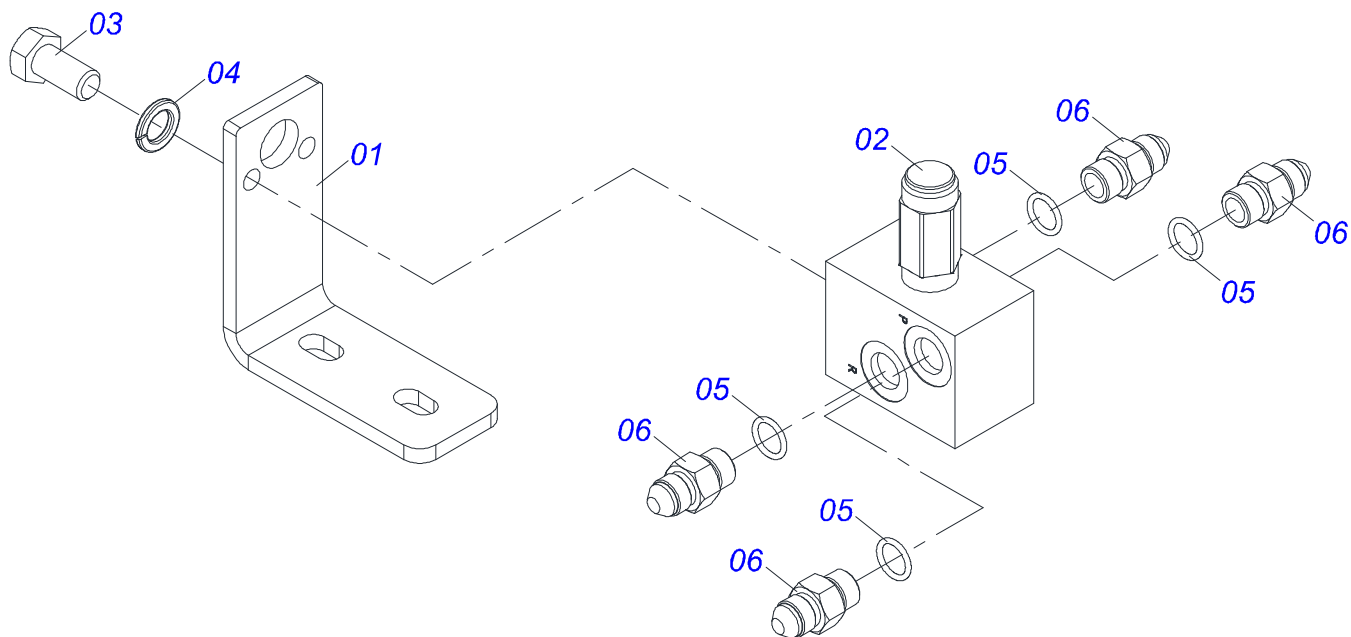
Item	Code	Description	See page	QT
01	0503062227	DRAWBAR JACK		01



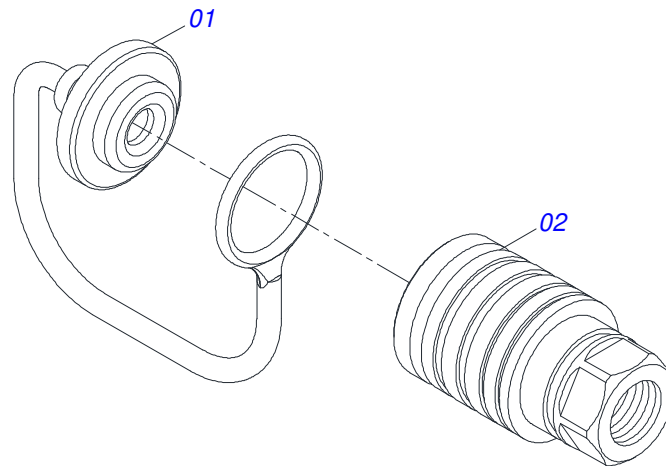
Item	Code	Description	See page	QT
001	0541016749	LOCK AXLE PIVOT		01
002	0541019258	1.1/4 ADJUSTING NUT		01
003	0511066497	LOK PIVOT		01
004	0511067209	FRONT DRIVER ARM		01



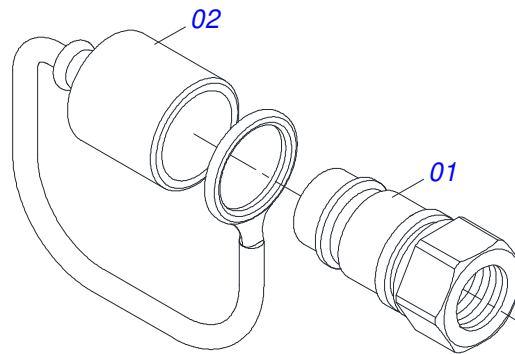
Item	Code	Description	See page	QT
001	0541016749	LOCK AXLE PIVOT		01
002	0541019258	1.1/4 ADJUSTING NUT		01
003	0511066497	LOK PIVOT		01
004	0511067210	DRIVER ARM		01



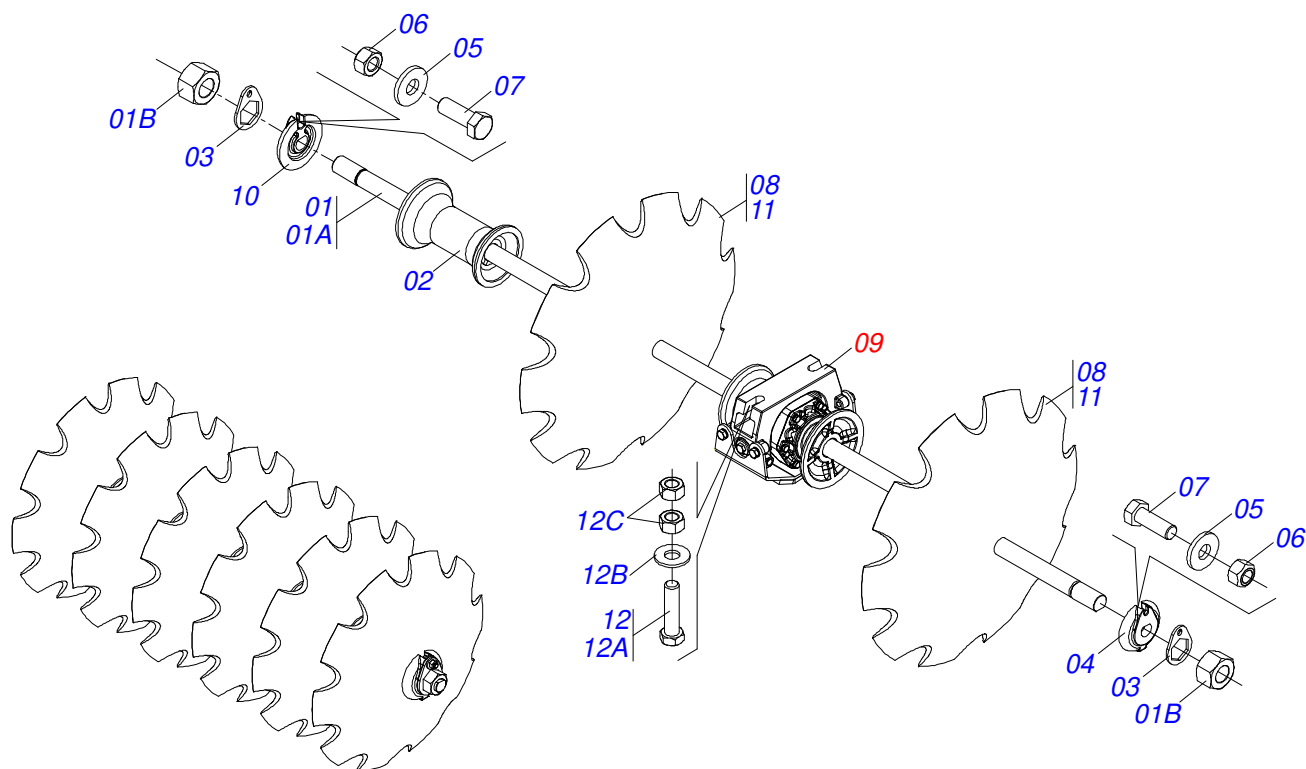
Item	Code	Description	See page	QT
01	0581011745	VALVE SUPPORT		01
02	0503010919	DISCHARGE VALVE		01
03	0503011334	BOLT 3/8 UNC X 3/4 CS G.5 ZN		02
04	0503010025	3/8" SPRING WASHER		02
05	0503010190	2-114 N 3006-9B O'RING		04
06	0501010617	3/4" NIPPLE		04



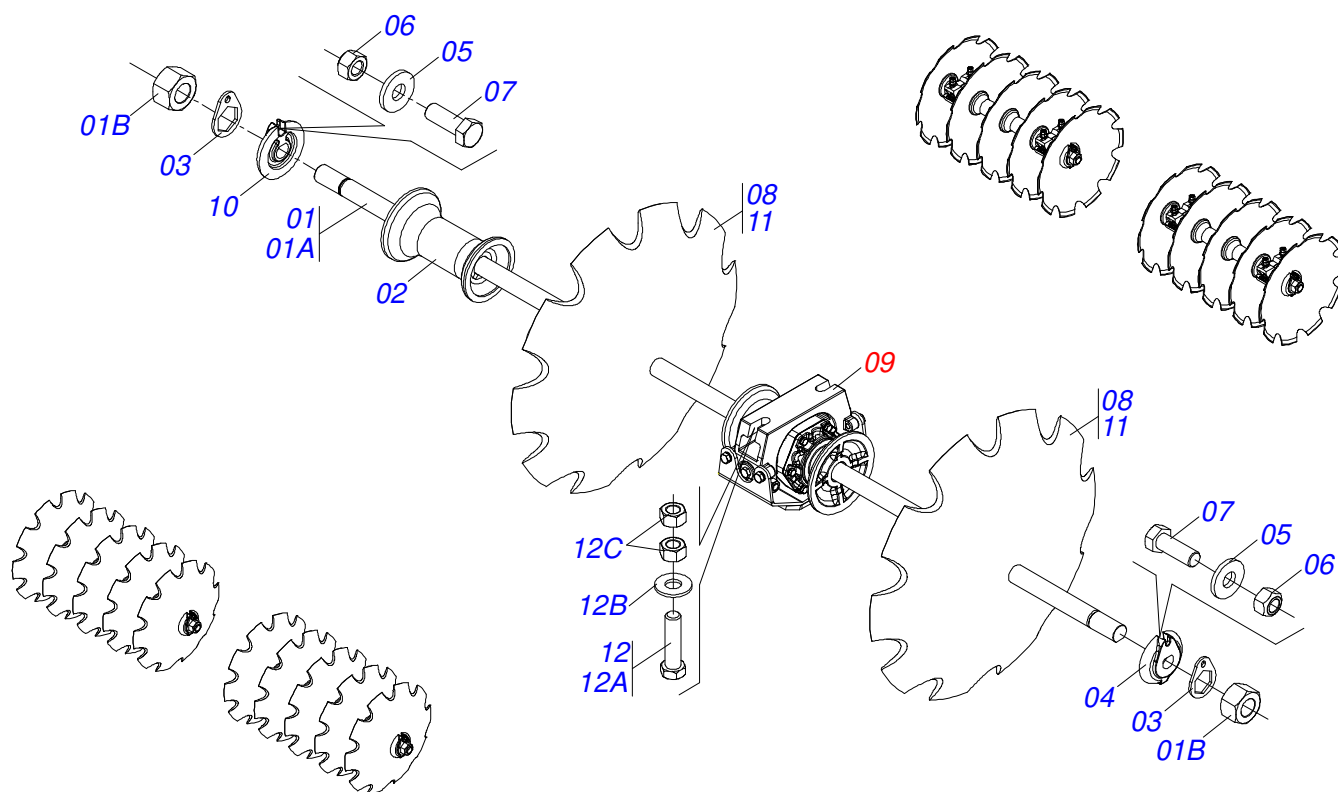
Item	Code	Description	See page	QT
01	0503011883	QUICK CONNECTION COVER		01
02	0503011628	FEMALE QUICK COUPLER		01



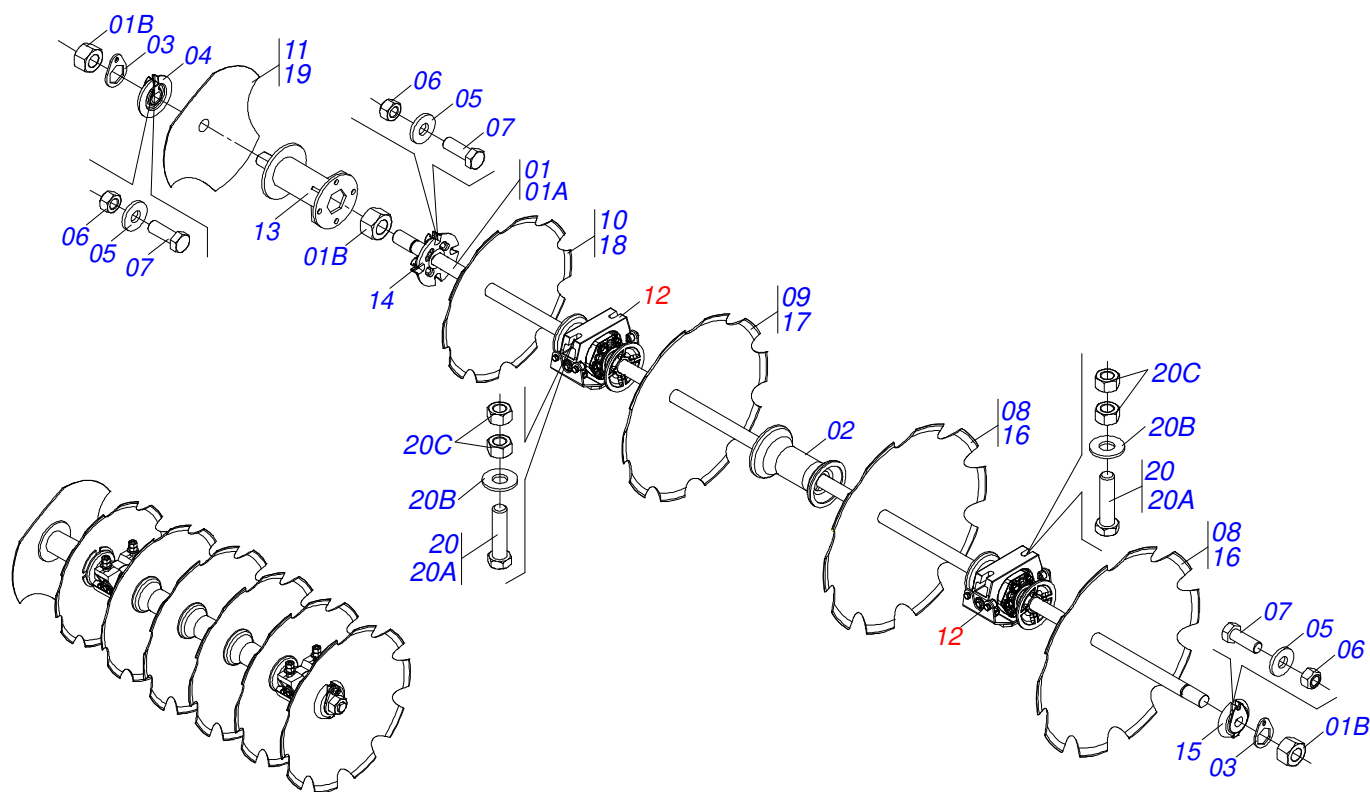
Item	Code	Description	See page	QT
01	0503011627	MALE QUICK COUPLER AGR 1/2 NPT		01
02	0503011882	MALE QUICK COUPLER CAP		01



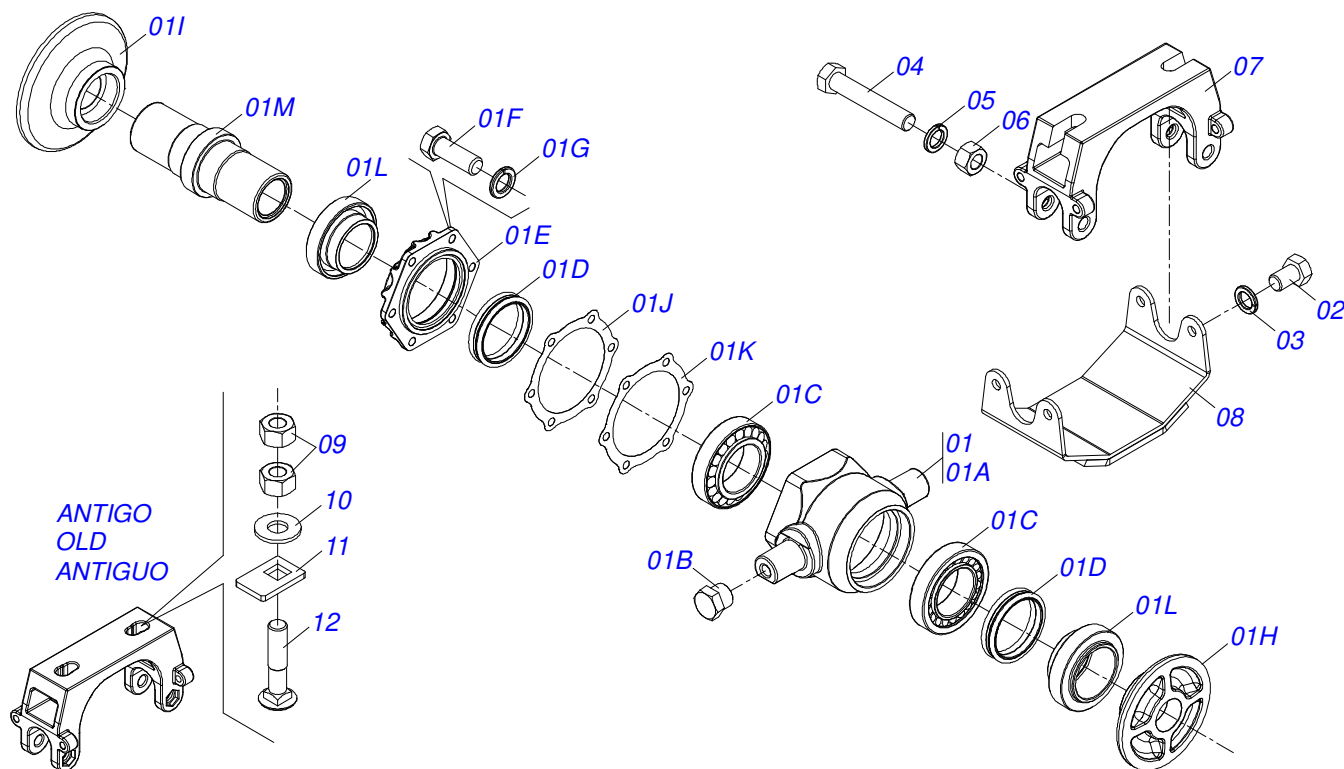
Item	Code	Description	See page	QT
01	0501040361	1.3/4 X 1520 AXLE WITH NUT		02
01A	0501011424	1,3/4" X 1520 AXLE		02
01B	0501010333	1.3/4" NUT		04
02	0502010400	263 SPACER		06
03	0511014339	1-5/8" 2.8" NUT LOCK		04
04	0502012222	1-3/4" EXTERNAL AXLE WASHER		02
05	0501012140	FLAT WASHER		04
06	0503012412	5/8 UNC SELF LOCKING NUT		04
07	0503010232	5/8" X 1.3/4" BOLT		04
08	0602042005	DR30X7,5 C105AF02FR1.13/16 D079 10REC		12
09	0511048362	BEARING	15	04
10	0502012221	1-1/2" INNER AXLE WASHER		02
11	0602037194	DR28X7,5 C102AF02FR1.13/16 10R		12
12	0521047424	SCREW ASSY		08
12A	0501010500	3/4"X3"BOLT		08
12B	0501010322	FLAT WASHER		08
12C	0503012183	SNC 3/4" ZIN 1K03097 NUT		16



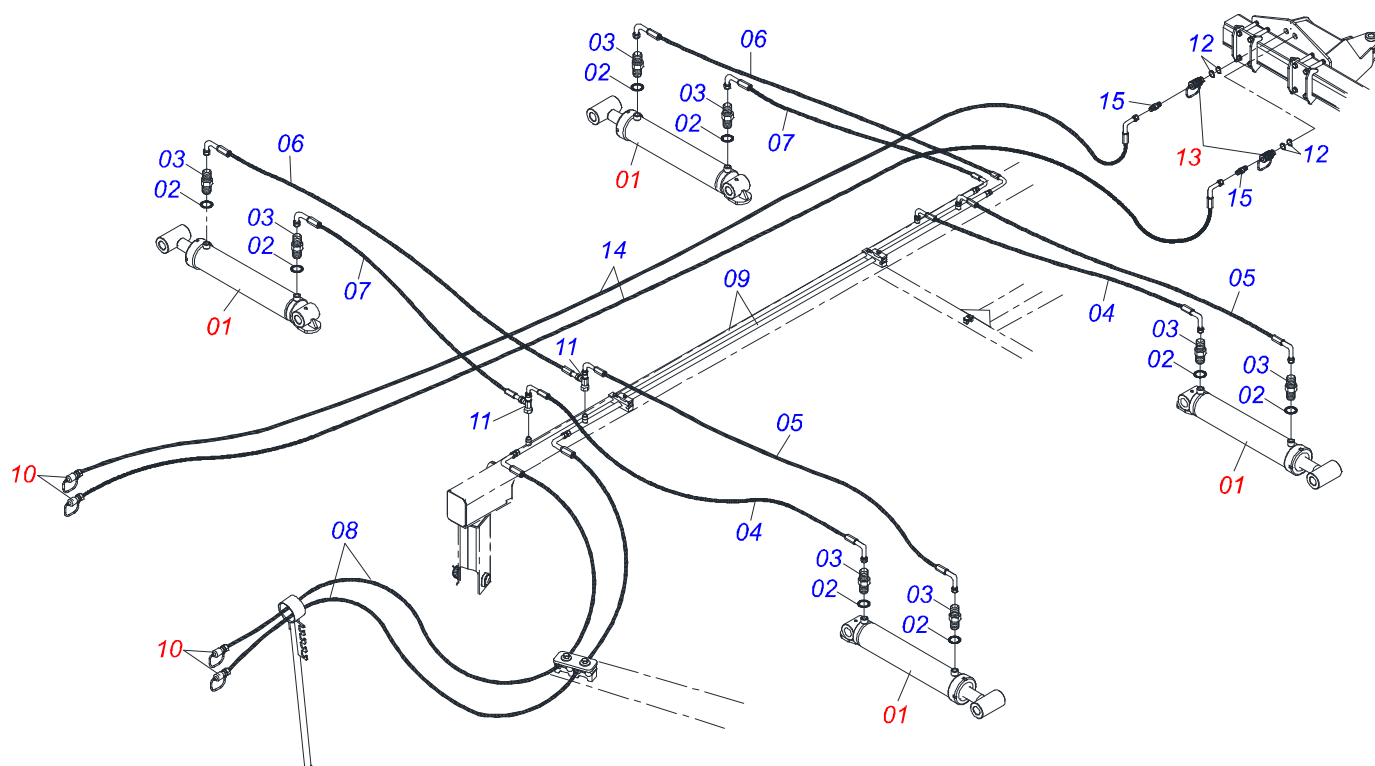
Item	Code	Description	See page	QT
01	0501040360	1.3/4" X 1250 AXLE WITH NUT		04
01A	0501011425	1.3/4 X 1250 AXLE		04
01B	0501010333	1.3/4" NUT		08
02	0502010400	263 SPACER		08
03	0511014339	1-5/8" 2.8" NUT LOCK		08
04	0502012222	1-3/4" EXTERNAL AXLE WASHER		04
05	0501012140	FLAT WASHER		08
06	0503012412	5/8 UNC SELF LOCKING NUT		08
07	0503010232	5/8" X 1.3/4" BOLT		08
08	0602042005	DR30X7,5 C105AF02FR1.13/16 D079 10REC		20
09	0511048362	BEARING	15	08
10	0502012221	1-1/2" INNER AXLE WASHER		02
11	0602037194	DR28X7,5 C102AF02FR1.13/16 10R		20
12	0521047424	SCREW ASSY		16
12A	0501010500	3/4"X3"BOLT		16
12B	0501010322	FLAT WASHER		16
12C	0503012183	SNC 3/4" ZIN 1K03097 NUT		32



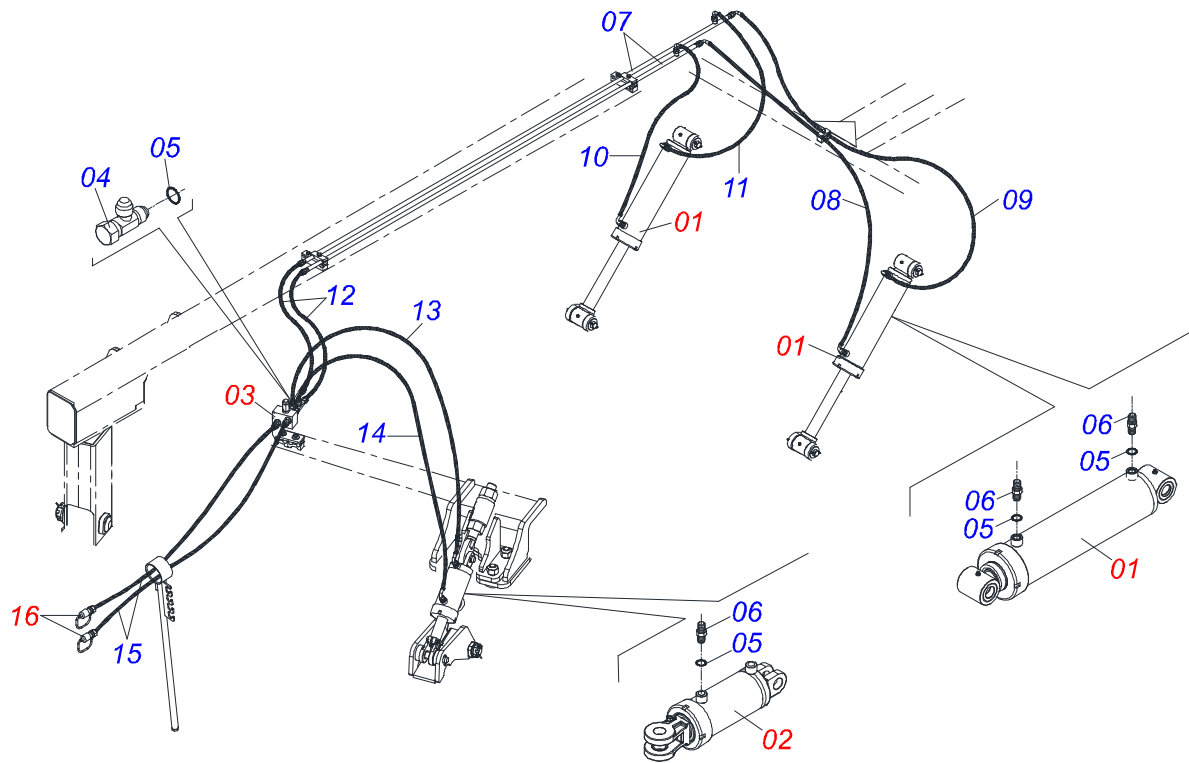
Item	Code	Description	See page	QT
01	0501040360	1.3/4" X 1250 AXLE WITH NUT		01
01A	0501011425	1.3/4 X 1250 AXLE		01
01B	0501010333	1.3/4" NUT		02
02	0502010400	263 SPACER		03
03	0511014339	1-5/8" 2.8" NUT LOCK		02
04	0502012222	1-3/4" EXTERNAL AXLE WASHER		01
05	0501012140	FLAT WASHER		06
06	0503012412	5/8 UNC SELF LOCKING NUT		06
07	0503010232	5/8" X 1.3/4" BOLT		06
08	0602042005	DR30X7,5 C105AF02FR1.13/16 D079 10REC		04
09	0602037194	DR28X7,5 C102AF02FR1.13/16 10R		01
10	0602033362	DR26X7,5 C90AF02FR46,04 10REC		01
11	0602030447	DR24X6 C72AF02FR1.13/16" D079 03REC		01
12	0511048362	BEARING	15	02
13	0521064053	SPACING 227 AXLE 1.3/4		01
14	0502012378	1-3/4"EXTERNAL AXLE WASHER		01
15	0502012221	1-1/2" INNER AXLE WASHER		01
16	0602037194	DR28X7,5 C102AF02FR1.13/16 10R		04
17	0602033362	DR26X7,5 C90AF02FR46,04 10REC		01
18	0602030449	DR24X7,5 C66AF02FR1.13/16 10REC TT		01
19	0602029395	22" X 7,5 NOTCHED DISC BLADE		01
20	0521047424	SCREW ASSY		04
20A	0501010500	3/4"X3"BOLT		04
20B	0501010322	FLAT WASHER		04
20C	0503012183	SNC 3/4" ZIN 1K03097 NUT		08



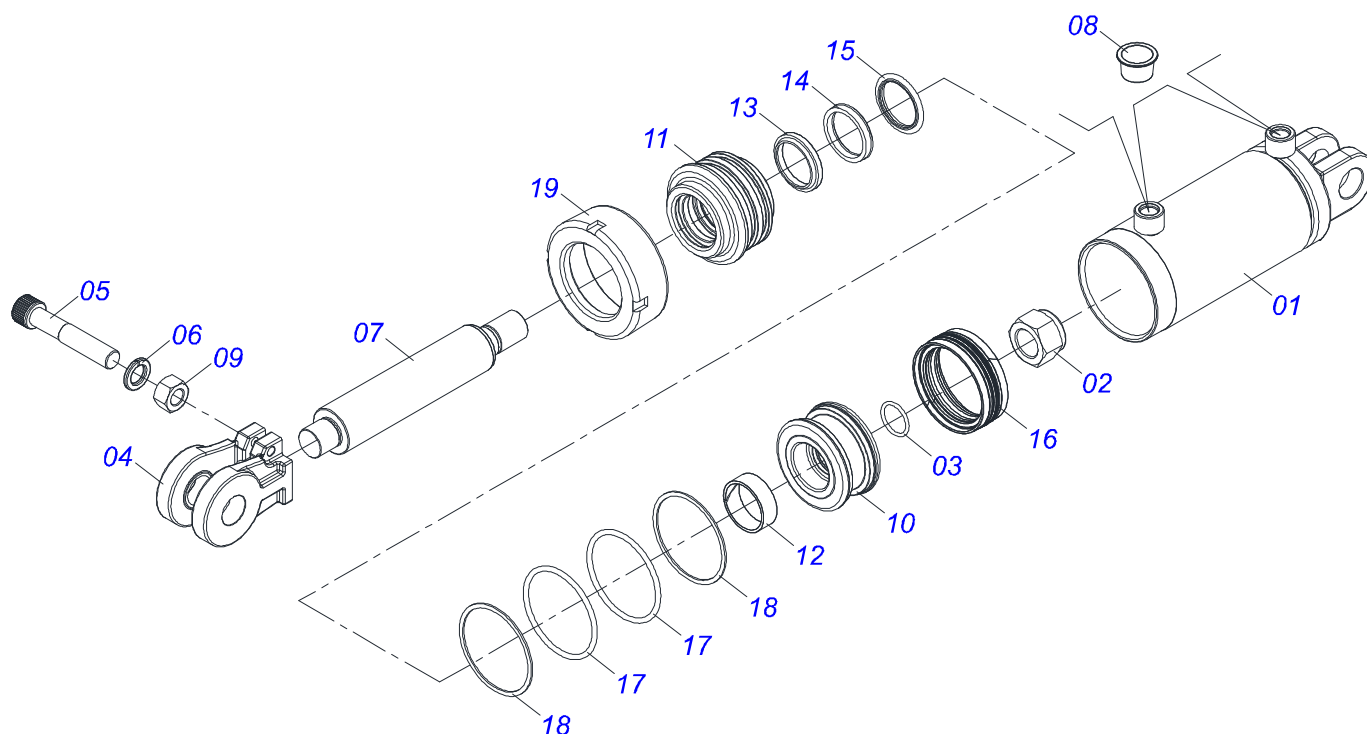
Item	Code	Description	See page	QT
01	0501059685	BEARING		01
01A	0502012343	AGRICULTURAL HOUSING BEARING		01
01B	0503010856	OIL PLUG		02
01C	0503012819	ROLLER BEARING		02
01D	0503030027	DUO-CONE SEAL		02
01E	0502020161	WEAR PLATE BEARING		01
01F	0503010237	3/8" X 1" BOLT		06
01G	0503011443	3/8" SPRING WASHER		06
01H	0502040142	INNER FLANGE		01
01I	0502040141	OUTER FLANGE		01
01J	0503030030	5.6" X 4.4" X 0.01" GASKET		01
01K	0503030685	5.5" X 4.4" X 0.003" GASKET		01
01L	0502010823	SEAL RETAINER		02
01M	0502010824	AXLE CM/DM		01
02	0503011401	1/2" X 3/4" BOLT		04
03	0503010019	1/2" SPRING WASHER		04
04	0503010762	SCREW 5/8 UNC X 3.1/2 CS G.5 ZN		02
05	0503010027	5/8" SPRING WASHER		02
06	0503010013	5/8" NUT		02
07	0502012626	CENTER OSCILLATING BEARING SUPPORT		01
08	0521067341	BEARING SWING COVER WITH ENHANCED		01
09	0503010014	3/4" NUT		04
10	0501010322	FLAT WASHER		02
11	0541014269	3/4 SQUARE WASHER		02
12	0501010950	3/4" X 3-1/2" BOLT		02



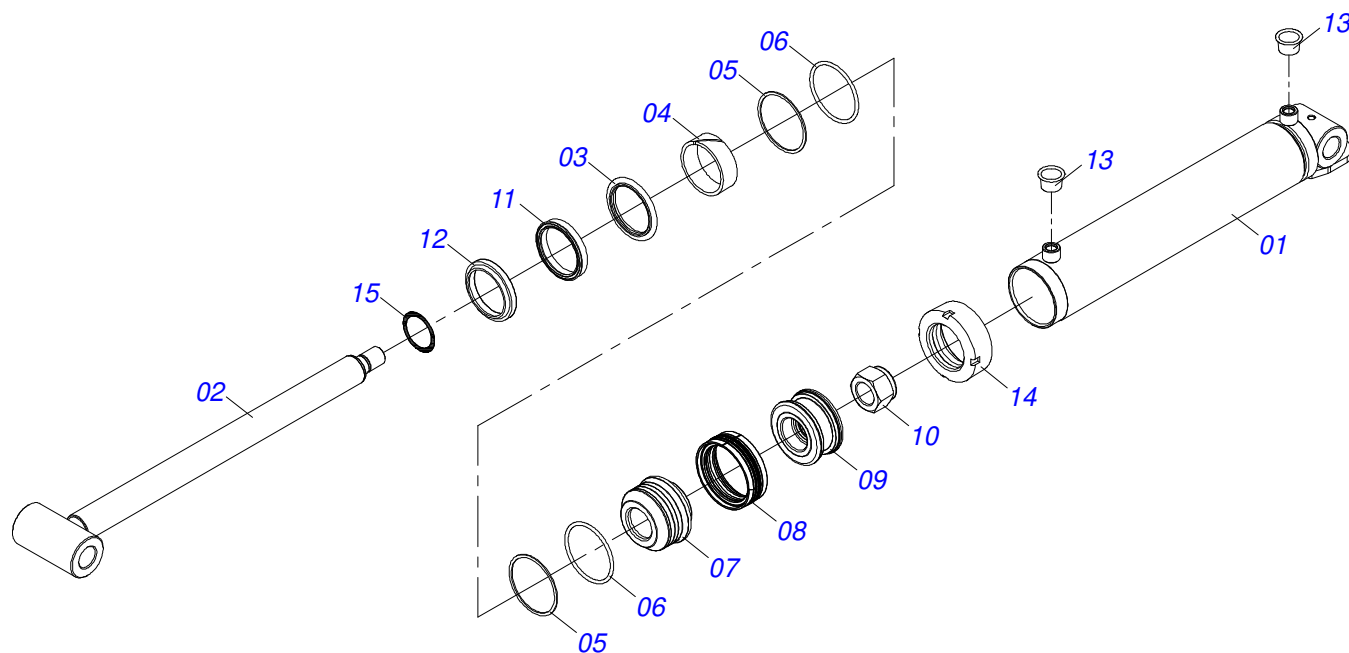
Item	Code	Description	See page	QT
01	0511057940	HYDRAULIC CILINDER	19	04
02	0503010190	2-114 N 3006-9B O'RING		08
03	0501010617	3/4" NIPPLE		08
04	0501080479	TC-TC HOSE ASSY		02
05	0501080749	3/8" X 141" TC-TC HOSE ASSY		02
06	0501080431	TR-TC HOSE ASSY		02
07	0501080025	3/8 X 1400 TR-TC HOSE		02
08	0501080850	3/8" X 6100 TC-TM HOSE		02
09	0521066126	DISTRIBUTOR OIL TUBE		02
10	0501053834	MALE QUICK COUPLER	10	04
11	0503011968	3/4" 8R6X-S T ADAPTER WITH SWIVEL NUT		02
12	0503010217	501040 CLAMPING RING (FOR AXLE)		04
13	0501053835	FEMALE QUICK COUPLER	9	02
14	0501082028	3/8 X 11000 TC-TM HOSE		02
15	0571015342	3/4" NIPPLE		02



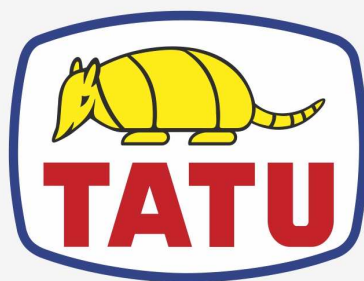
Item	Code	Description	See page	QT
01	0511048619	HYDRAULIC CYLINDER		02
02	0521046001	50,80 X 101,60 X 410 X 107 HYDRAULIC CILINDER	18	01
03	0511059196	VALVE ASSY	8	01
04	0503011968	3/4" 8R6X-S T ADAPTER WITH SWIVEL NUT		02
05	0503010190	2-114 N 3006-9B O'RING		08
06	0501010617	3/4" NIPPLE		06
07	0521066937	DUCT DISTRIBUTOR OF OIL		02
08	0501080393	3/8 X 2200 TC-TC HOSE		01
09	0501080968	3/8 X 1800 TC-TC HOSE		01
10	0501080065	3/8 X 1200 TC-TC HOSE		01
11	0501082058	HOSE 3/8 X 800 TC-TC		01
12	0501080106	TR-TR HOSE ASSY		02
13	0501080302	TR-TC HOSE ASSY		01
14	0501080436	3/8 X 1500 TR-TC HOSE		01
15	0501080205	HOSE 3/8 X 5500 TR-TM		02
16	0501053834	MALE QUICK COUPLER	10	02



Item	Code	Description	See page	QT
01	0521066575	101,60 X 298 CYLINDER CASE		01
02	0503010817	1.1/4" SELF LOCKING NUT		01
03	0503018029	2-217 O'RING		01
04	0502040747	32.54 CLEVIS CLAMP		01
05	0503011094	3/8" X 2" BOLT		01
06	0503011443	3/8" SPRING WASHER		01
07	0581010749	50,80 X 294 TURNBUCKLE		01
08	0503030384	CON PLUG N-001		02
09	0503010026	3/8" NUT		01
10	0502012820	50.80 X 101.60 PISTON		01
11	0502012821	50.80 X 101.60 RING SUPPORT		01
12	0503018025	RING GUIDE		01
13	0503010039	D-2000 SCRAPER RING		01
14	0503018026	1870-2000-375 B GASKET		01
15	0503018024	RING BS		01
16	0503015633	SELEMASTER SEALING		01
17	0503010338	2-342 N 3006-9B O'RING		02
18	0503011061	8-342 BACK-UP RING		02
19	0502012822	101.60 END CAP		01



Item	Code	Description	See page	QT
01	0521066447	101,60 X 654,50 X 38,40 CYLINDER CASE		01
02	0521061439	50,80 X 751,50 X 38,40 TURNBUCKLE		01
03	0503018024	RING BS		01
04	0503018025	RING GUIDE		01
05	0503011061	8-342 BACK-UP RING		02
06	0503010338	2-342 N 3006-9B O'RING		02
07	0502012821	50.80 X 101.60 RING SUPPORT		01
08	0503015633	SELEMASTER SEALING		01
09	0502012820	50.80 X 101.60 PISTON		01
10	0503010817	1.1/4" SELF LOCKING NUT		01
11	0503018026	1870-2000-375 B GASKET		01
12	0503010039	D-2000 SCRAPER RING		01
13	0503030384	CON PLUG N-001		02
14	0502010017	4" HEAD		01
15	0503018029	2-217 O'RING		01



MARCHESAN

Technical Publications | Elaboration and Revision

ALESSANDRA PATRICIA KAWAHARA CARRILI

www.marchesan.com.br

