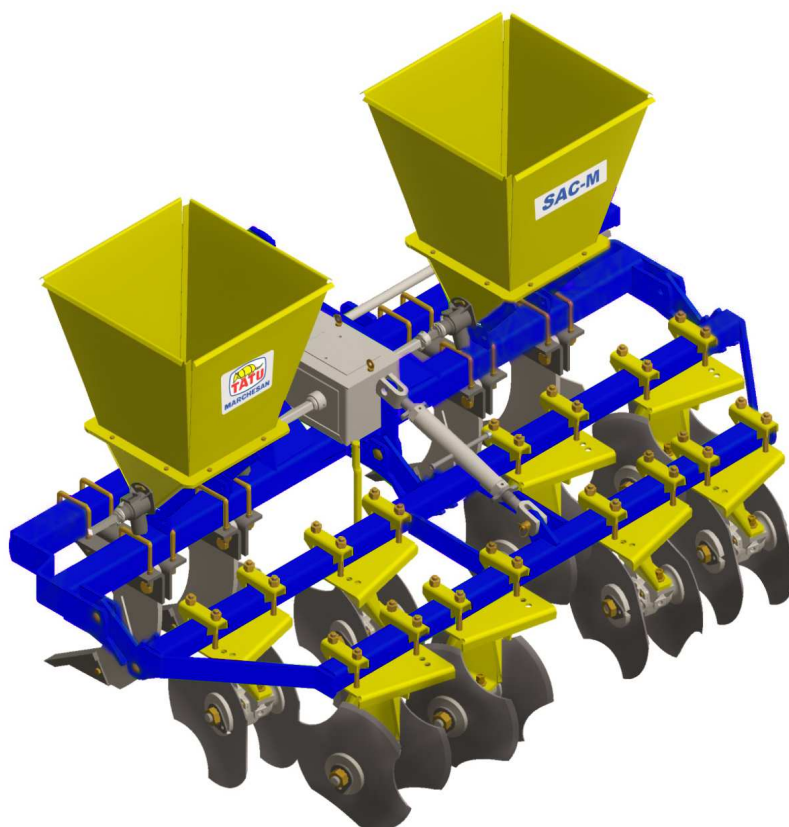


PARTS CATALOG

IMPLEMENTS FOR SUGAR CANE

SAC-M

Code: 0501091794



Series: S-1094

Review: DEZEMBRO/2016

ORIGINAL PARTS
TATU



PRODUCTS

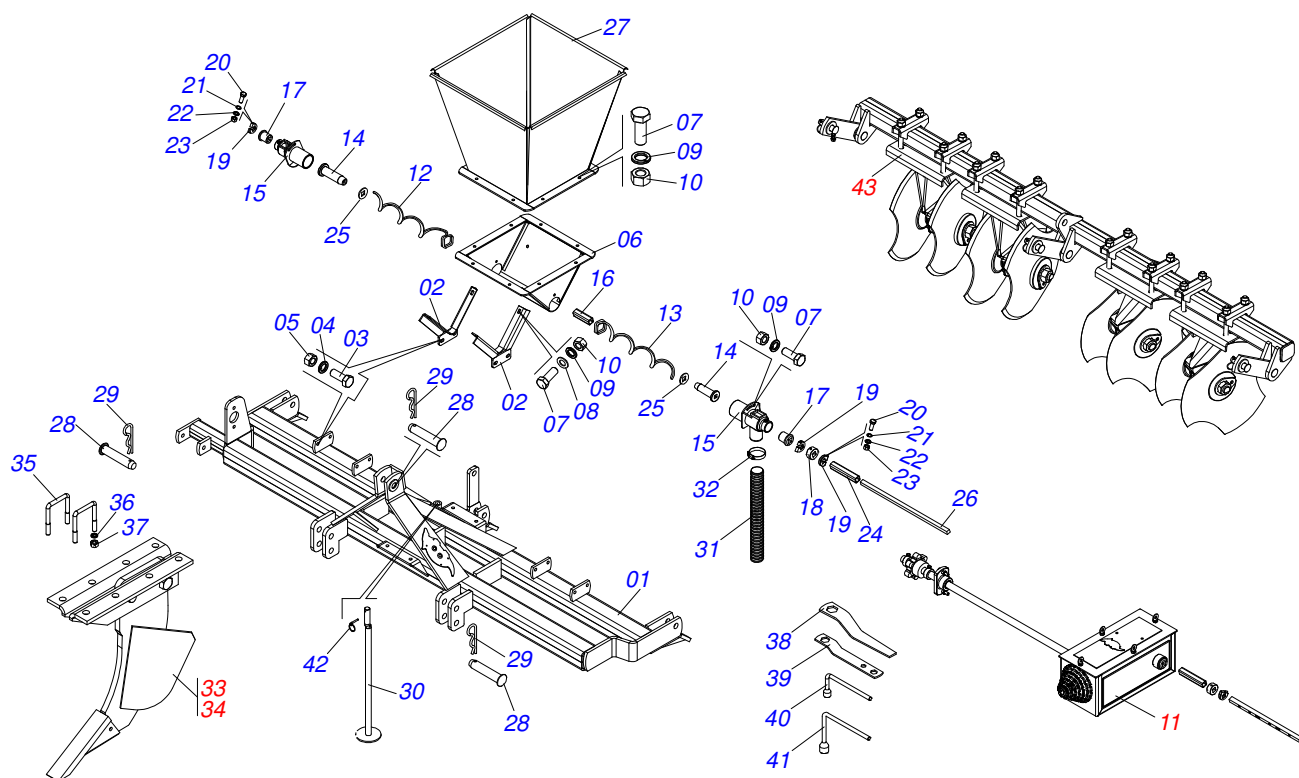
Code	Description	
0110030002	SAC/ML 8 CM	S-1094
0110030008	SAC/M 14 CM	S-1094
0110030009	SAC/M 14 DM	S-1094
0110030011	SAC/MC 14 CM	S-1094
0110030012	SAC/MC 14 DM	S-1094
0110030021	SAC/M 14 X 20 X 3,5 CM S/TRANSM	
0110030021C	SAC/M 14 X 20 X 3,5 CM S/TRANSM	EXP S-1094
0110030097	SAC/M 14 CM S/HASTE	S-1094
0110030148	SAC/M 14 CM 2 HASTE	S-1094
0110030174	SAC/ML 8 CM C/2 HASTE	S-1094
0110030175	SAC/MC 14 CM C/2 HASTE	S-1094
0110030218	SAC/M 14 20 X 3,50 CM	S-1094

ATTENTION: **IMPORTANT**

MARCHESAN S/A RESERVES THE RIGHT AT ANY TIME TO MAKE IMPROVEMENTS IN THE DESIGN, MATERIAL OR SPECIFICATIONS OF MACHINERY, EQUIPMENT OR PARTS WITHOUT THEREBY BECOMING LIABLE TO MAKE SIMILAR CHANGES IN MACHINERY, EQUIPMENT OR PARTS PREVIOUSLY SOLD.

INDEX

0909092302	FRAME ASSY SACM 8	1
0909092290	FRAME ASSY - SACM - SAC - MC 14	2
0501047814	LH SUPPORT FIXER HOSE FURROWER ARM	3
0501047813	RH SUPPORT FIXER HOSE FURROWER ARM	4
0909092291	TRANSMISSION	5
0909092293	GANG DISC 8 DISC	6
0909092292	GANG DISC 14	7
0501046922	7.5" X 1-1/4" OIL BATH BEARING	8
0501046913	GX 7" 1-1/4" BEARING ASSY	9
0909092294	HITCH SET	10

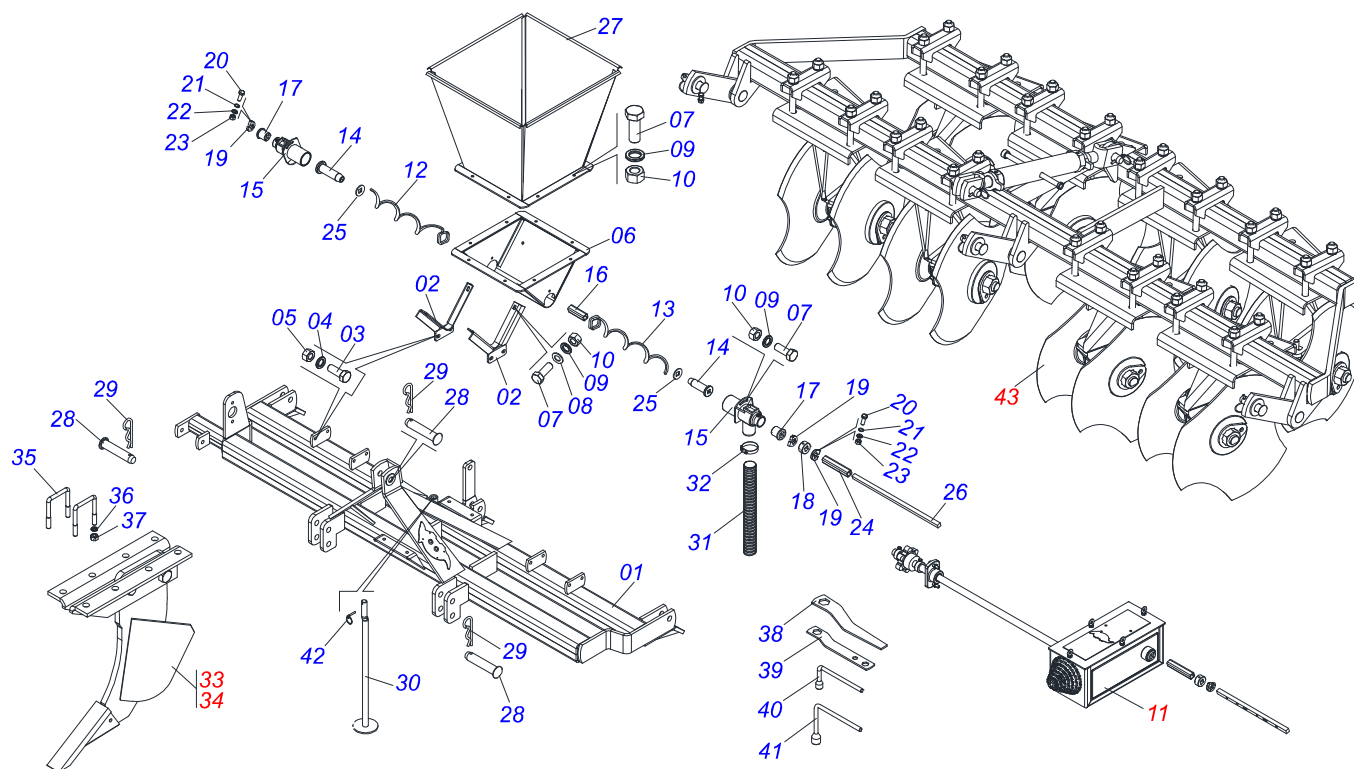


Item	Code	Description	QT
01	0501061235	FRAME	01
02	0501061226	FERTILIZER SUPORT BOX	04
03	0503011082	C1/2" X 1.3/4" BOLT	08
04	0503011440	SPRING WASHER	08
05	0503010060	1/2" NUT	08
06	0501061236	DISTRIBUTOR FERTILIZER	02
07	0503010237	3/8" X 1" BOLT	08
08	0501010984	FLAT WASHER	08
09	0503011443	SPRING WASHER	08
10	0503010026	3/8" NUT	08
11	0909092291	TRANSMISSION	01
12	0503031167	RIGHT HELICAL CONDUTOR	02
13	0503031168	LEFT CONDUTOR	02
14	0502010140	FERTILIZER DOSADOR	04
15	0502020474	FERTILIZER DISTRIBUTOR	04
16	0511014217	0.8" X 2" SQUARE SLEEVE	04
17	0502011294	AXLE SLEVE GUIDES	06
18	0502011303	SLEEVE LOCK	02
19	0521010691	AXLE FASTENER	06
20	0503010373	1/4" X 2" BOLT	06
21	0501010694	FLAT WASHER	06
22	0503011441	SPRING WASHER	06
23	0503010144	1/4" NUT	06
24	0501010778	TRACTOR HITCH	02
25	0501010637	FLAT WASHER	04
26	0501010780	AXLE Q 3/4 X 840 SAC/M	02
27	0501061143	BOX FERTILIZER	02
28	0521010580	COUPLING SHAFT	03
29	0503031035	HAIR PIN	03
30	0501061222	PLOUGH SUPPORT	01
31	0501010769	2" X 31.5" HOSE ASSY	04
32	0503010246	CLAMP	04
33	0501047813	RH SUPPORT FIXER HOSE FURROWER ARM	02



SAC-M
FRAME ASSY SACM 8

Item	Code	Description	QT
34	0501047814	LH SUPPORT FIXER HOSE FURROWER ARM	02
35	0521010659	3/4 UNC X 148 X 125 FASTENER	16
36	0503010023	SPRING WASHER	32
37	0503010014	3/4" NUT	32
38	0511018451	5/8" X 3/4" X 1" UNIVERSAL	01
39	0501010198	1-1/4" CABLE FLAT WRENCH	01
40	0501068273	5/8" WRENCH	01
41	0503016140	3/4" WRENCH CABLE CYLINDRICAL	01
42	0503030085	LOCK PIN	01
43	0909092293	GANG DISC 8 DISC	01



Item	Code	Description	QT
01	0501061235	FRAME	01
02	0501061226	FERTILIZER SUPORT BOX	04
03	0503011082	C1/2" X 1.3/4" BOLT	08
04	0503011440	SPRING WASHER	08
05	0503010060	1/2" NUT	08
06	0501061236	DISTRIBUTOR FERTILIZER	02
07	0503010237	3/8" X 1" BOLT	08
08	0501010984	FLAT WASHER	08
09	0503011443	SPRING WASHER	08
10	0503010026	3/8" NUT	08
11	0909092291	TRANSMISSION	01
12	0503031167	RIGHT HELICAL CONDUTOR	02
13	0503031168	LEFT CONDUTOR	02
14	0502010140	FERTILIZER DOSADOR	04
15	0502020474	FERTILIZER DISTRIBUTOR	04
16	0511014217	0.8" X 2" SQUARE SLEEVE	04
17	0502011294	AXLE SLEVE GUIDES	06
18	0502011303	SLEEVE LOCK	02
19	0521010691	AXLE FASTENER	06
20	0503010373	1/4" X 2" BOLT	06
21	0501010694	FLAT WASHER	06
22	0503011441	SPRING WASHER	06
23	0503010144	1/4" NUT	06
24	0501010778	TRACTOR HITCH	02
25	0501010637	FLAT WASHER	04
26	0501010780	AXLE Q 3/4 X 840 SAC/M	02
27	0501061143	BOX FERTILIZER	02
28	0521010580	COUPLING SHAFT	03
29	0503031035	HAIR PIN	03
30	0501061222	PLOUGH SUPPORT	01
31	0501010769	2" X 31.5" HOSE ASSY	04
32	0503010246	CLAMP	04
33	0501047813	RH SUPPORT FIXER HOSE FURROWER ARM	02

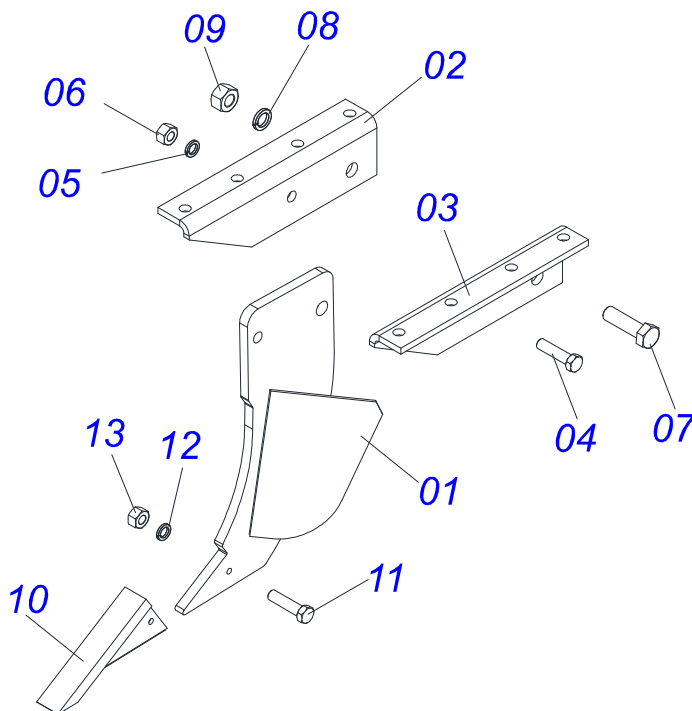


FRAME ASSY - SACM - SAC - MC 14

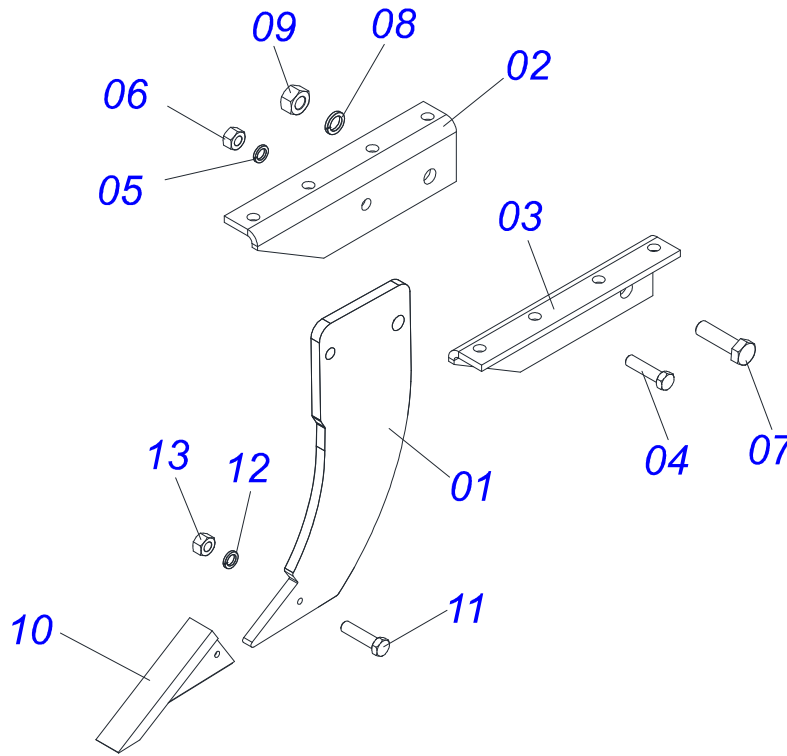
0909092290

Item	Code	Description	QT
34	0501047814	LH SUPPORT FIXER HOSE FURROWER ARM	02
35	0521010659	3/4 UNC X 148 X 125 FASTENER	16
36	0503010023	SPRING WASHER	32
37	0503010014	3/4" NUT	32
38	0511018451	5/8" X 3/4" X 1" UNIVERSAL	01
39	0501010198	1-1/4" CABLE FLAT WRENCH	01
40	0501068273	5/8" WRENCH	01
41	0503016140	3/4" WRENCH CABLE CYLINDRICAL	01
42	0503030085	LOCK PIN	01
43	0909092292	GANG DISC 14	01

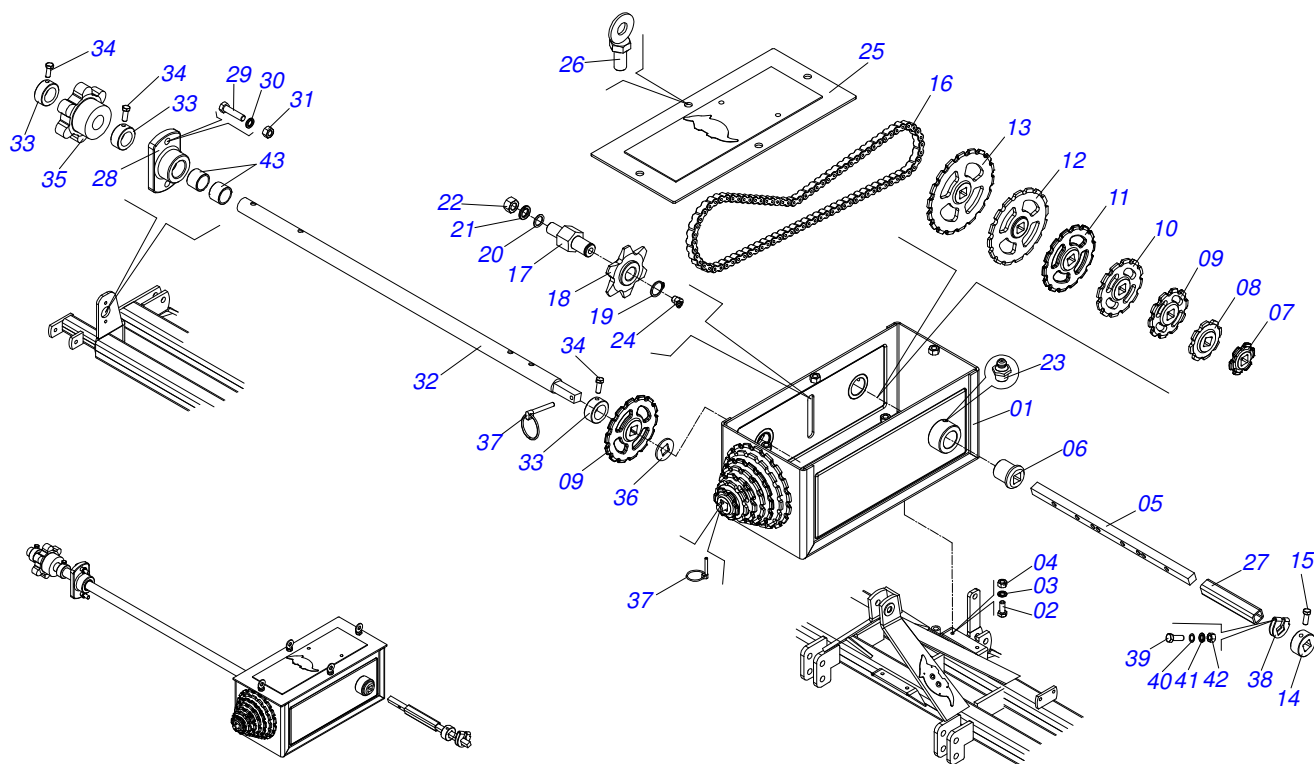
LH SUPPORT FIXER HOSE FURROWER ARM



Item	Code	Description	QT
001	0501069653	LEFT TURNBUCLE BODY	01
002	0501010771	RH BRACKET	01
003	0501010772	LH BRACKET	01
004	0501010500	3/4"X3"BOLT	01
005	0503010023	SPRING WASHER	01
006	0503010014	3/4" NUT	01
007	0501010171	PARAFUSO 1 UNC X 3.1/2 C S G.5	01
008	0503010012	1" SPRING WASHER	01
009	0501010059	1.5/8 NUT	01
010	0501069651	SUBSOILER TIP	01
011	0503010765	3/8" X 3" BOLT	01
012	0503010025	3/8 SPRING WASHER	01
013	0503010026	3/8" NUT	01



Item	Code	Description	QT
001	0501069652	RH TURNBUCLE BODY	01
002	0501010771	RH BRACKET	01
003	0501010772	LH BRACKET	01
004	0501010500	3/4"X3"BOLT	01
005	0503010023	SPRING WASHER	01
006	0503010014	3/4" NUT	01
007	0501010171	PARAFUSO 1 UNC X 3.1/2 C S G.5	01
008	0503010012	1" SPRING WASHER	01
009	0501010059	1.5/8 NUT	01
010	0501069651	SUBSOILER TIP	01
011	0503010765	3/8" X 3" BOLT	01
012	0503010025	3/8 SPRING WASHER	01
013	0503010026	3/8" NUT	01



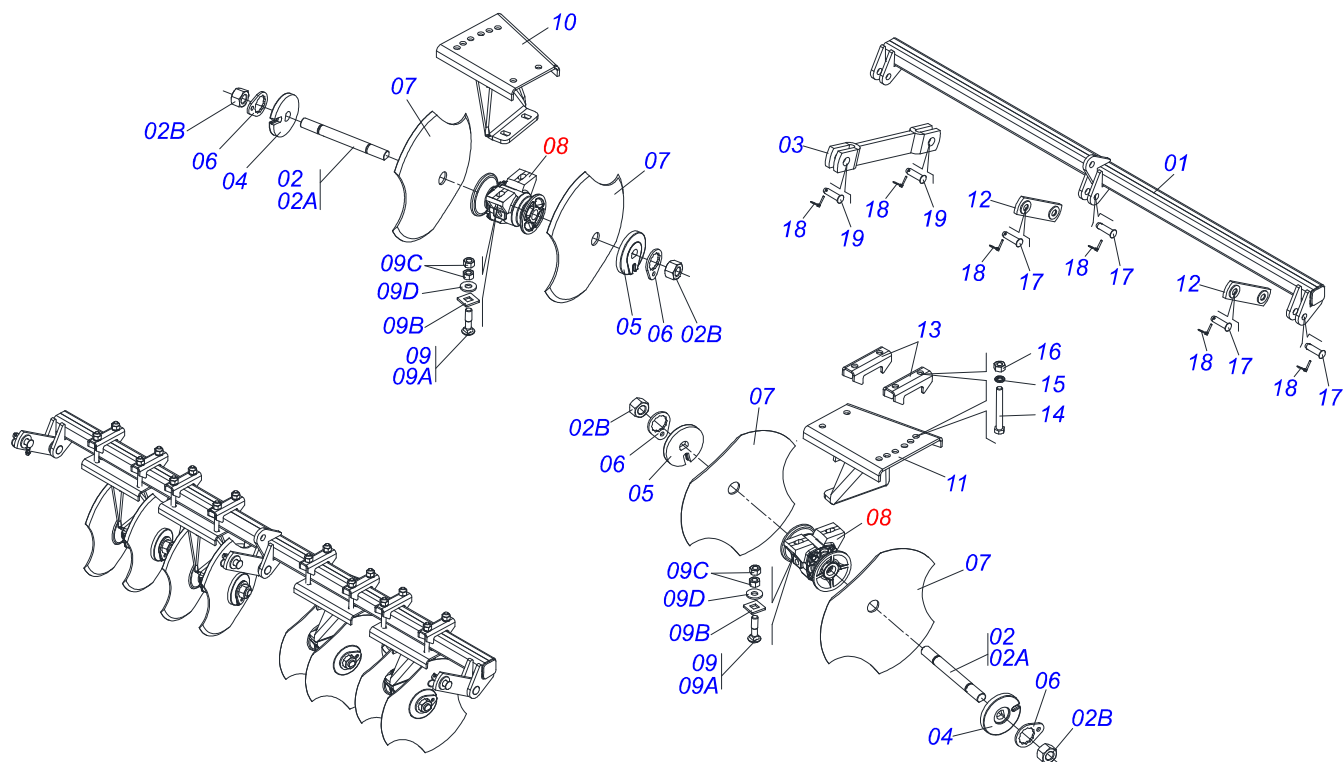
Item	Code	Description	QT
01	0501061069	GEAR BOX	01
02	0501010063	1/2" X 1-1/2" BOLT	04
03	0503011440	SPRING WASHER	04
04	0503010060	1/2" NUT	04
05	0511015988	SQUARE SHAFT	01
06	0502011177	AXLE GUIDE BUSHING	02
07	0502011307	6Z GEAR	01
08	0502011315	8Z P 1.2" SH 3/4" GEAR	01
09	0502011318	10Z GEAR	01
10	0502011325	12Z P 1.2" GEAR	02
11	0502011337	14Z P 1.2" SH 3/4" GEAR	02
12	0502011343	SLEEVE 16Z	01
13	0502011349	18Z P 1.2" SH 3/4" GEAR	01
14	0502011303	SLEEVE LOCK	02
15	0503010237	3/8" X 1" BOLT	02
16	0503010988	2050 CHAIN X 35 LINK + MENDING	01
17	0501067736	BELT TENSIONER	01
18	0502012317	WHEEL TOOTH	01
19	0503010258	501020 CLAMPING RING (FOR AXLE)	01
20	0501010301	FLAT WASHER	02
21	0503011445	SPRING WASHER	01
22	0503010013	5/8" NUT	01
23	0503010002	1800 GREASE FITTING	05
24	0503010003	1845 GREASE FITTING	01
25	0501010786	BOX COVER GEAR	01
26	0501061231	1/2" X 1" WITH WASHER BOLT	04
27	0511014217	0.8" X 2" SQUARE SLEEVE	04
28	0501110014	AGRICULTURAL BEARING	01
29	0501010077	1/2" X 2" BOLT	02
30	0503011440	SPRING WASHER	02
31	0503010060	1/2" NUT	02
32	0501010782	DRIVER AXLE	01
33	0501010783	DRIVING AXLE LUCK	02



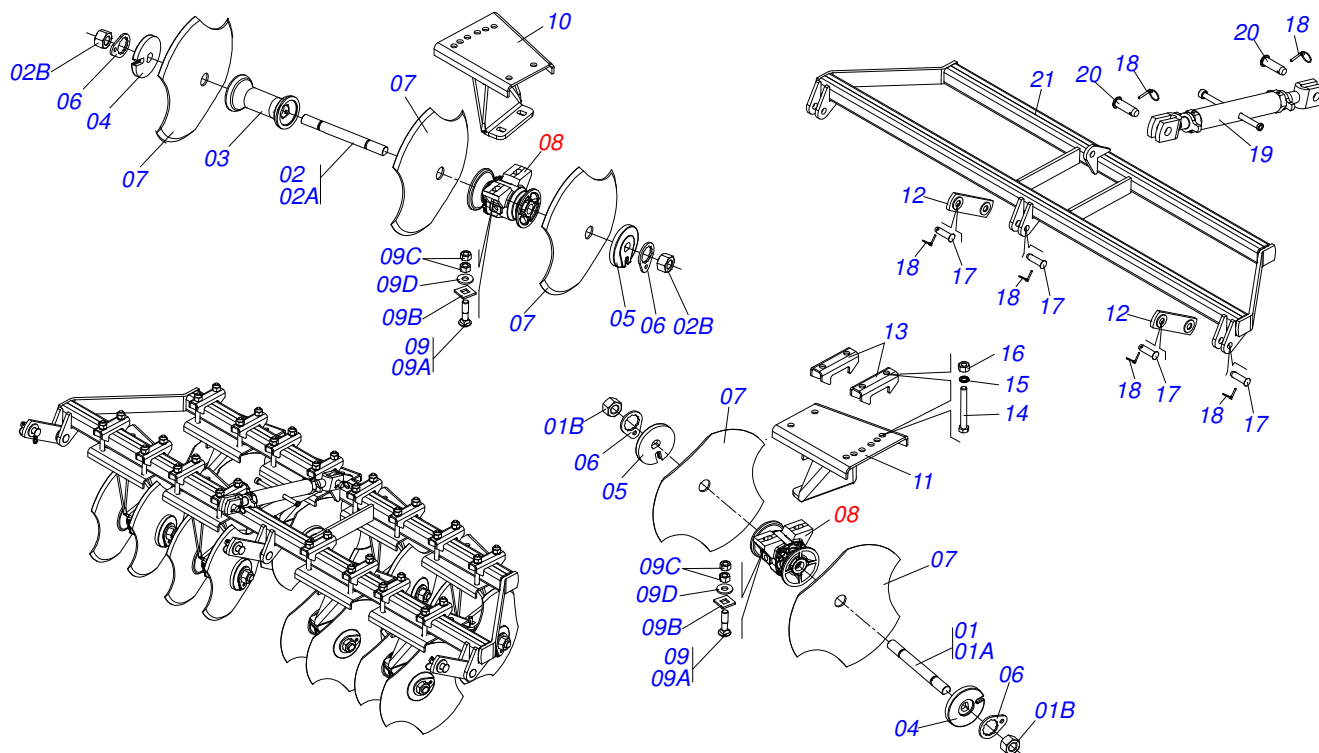
SAC-M
TRANSMISSION

Page 5
0909092291

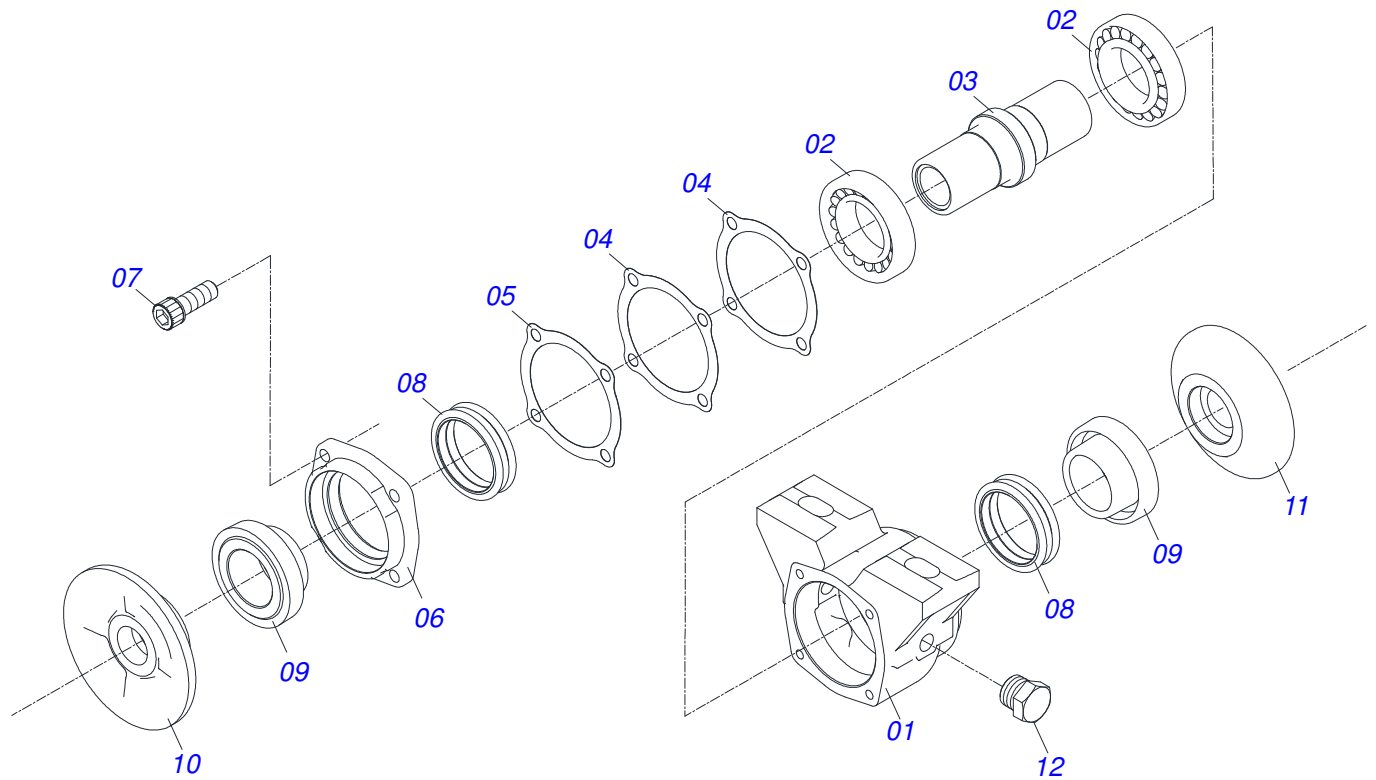
Item	Code	Description	QT
34	0503010834	1/2 X 1 BOLT	02
35	0502010156	6Z GEAR	01
36	0501010637	FLAT WASHER	02
37	0503030085	LOCK PIN	01
38	0521010691	AXLE FASTENER	06
39	0503010373	1/4" X 2" BOLT	06
40	0501010694	FLAT WASHER	06
41	0503011441	SPRING WASHER	06
42	0503010144	1/4" NUT	06
43	0501012282	BUSHING	02



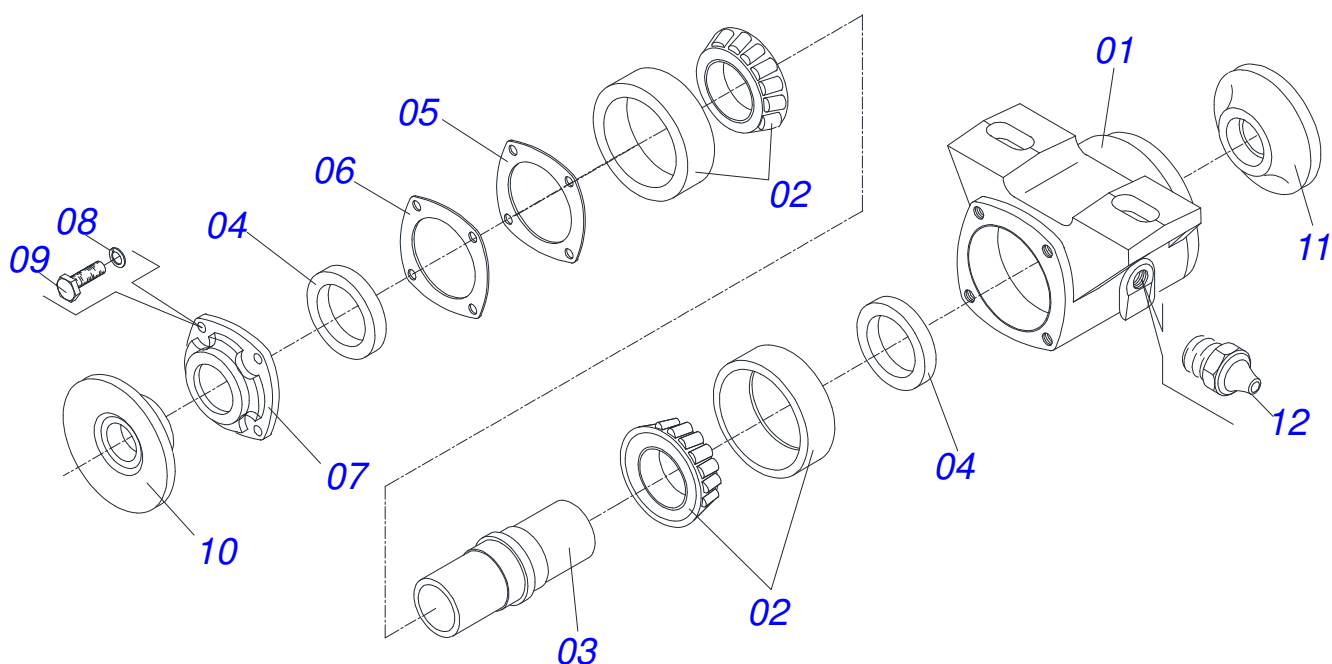
Item	Code	Description	QT
01	0501061215	FRAME TO CULTIVATOR	02
02	0501042196	AXLE 1.1/4 X 315 W/NUT	04
02A	0501010751	AXLE	04
02B	0501010087	1.1/4" NUT	04
03	0501061221	ATTACHMENT BAR	01
04	0502010834	1-1/4" INNER AXLE WASHER	04
05	0502010835	1-1/4" EXTERNAL AXLE WASHER	04
06	0501010455	1.1/4" NUT LOCK	08
07	0602027340	20" X 3,5 NOTCHED DISC BLADE	08
07.	0602025259	DR18X3 C45AF02FR1.5/16 9REC TATU	08
08	0501046913	GX 7" 1-1/4" BEARING ASSY	04
08.	0501046922	7.5" X 1-1/4" OIL BATH BEARING	08
09	0501048788	CONJUNTO PCS IMPL 5/8 UNC X 2.1/2 CA	08
09A	0501014177	5/8" X 2-1/2" BOLT	08
09B	0501010947	5/8 NUT LOCK	08
09C	0503010013	5/8" NUT	16
09D	0501012140	FLAT WASHER	08
10	0501061218	RH SUPPORT	02
11	0501061219	RH SUPPORT	02
12	0501061220	PLATE	03
13	0501010747	FIXER BRACKET	08
14	0503011198	C3/4" X 6" BOLT	16
15	0503010023	SPRING WASHER	16
16	0503010014	3/4" NUT	16
17	0521010575	C0.9" X 3.3" COUPLING SHAFT	06
18	0503030085	LOCK PIN	08
19	0521010572	0.9" X 2.9" COUPLING SHAFT	02



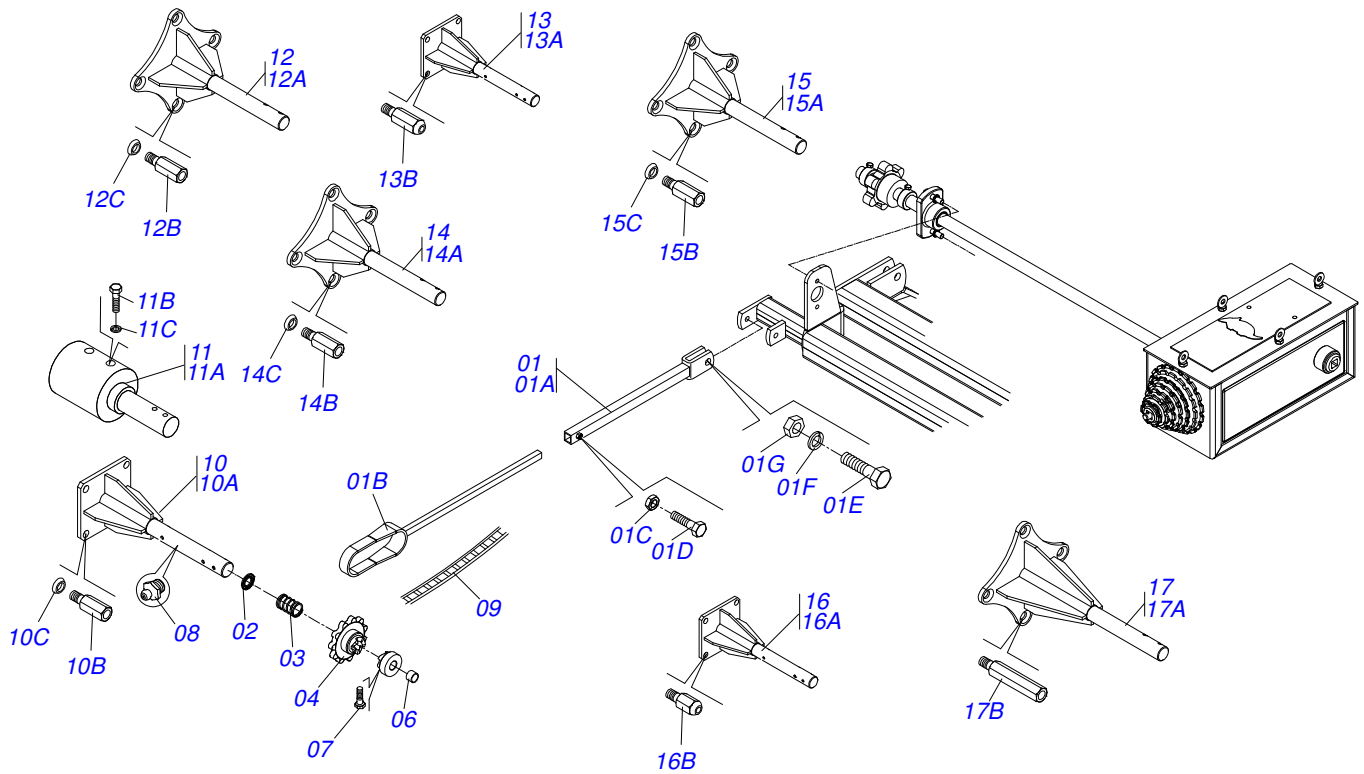
Item	Code	Description	QT
01	0501042193	AXLE	02
01A	0501010752	1.1/4" X 500 AXLE	01
01B	0501010087	1.1/4" NUT	02
02	0501042407	1-1/4" X 27" AXLE WITH NUTS	02
02A	0501016648	1-1/4" X 27" AXLE	01
02B	0501010087	1.1/4" NUT	02
03	0502020052	181 SPACER	02
04	0502010834	1-1/4" INNER AXLE WASHER	04
05	0502010835	1-1/4" EXTERNAL AXLE WASHER	04
06	0501010455	1.1/4" NUT LOCK	08
07	0602027340	20" X 3,5 NOTCHED DISC BLADE	14
08	0501046913	GX 7" 1-1/4" BEARING ASSY	08
09	0501048788	CONJUNTO PCS IMPL 5/8 UNC X 2.1/2 CA	16
09A	0501014177	5/8" X 2-1/2" BOLT	01
09B	0501010947	5/8 NUT LOCK	01
09C	0503010013	5/8" NUT	02
09D	0501012140	FLAT WASHER	01
10	0501061217	RH FRONT BRACKET	02
11	0501061216	RH FRONT LEFT REAR BRACKET	02
12	0501061220	PLATE	03
13	0501010747	FIXER BRACKET	08
14	0503011198	C3/4" X 6" BOLT	16
15	0503010023	SPRING WASHER	16
16	0503010014	3/4" NUT	16
17	0521010575	C0.9" X 3.3" COUPLING SHAFT	06
18	0503030085	LOCK PIN	08
19	0501042195	ESTABILIZER ASSY	01
20	0521010572	0.9" X 2.9" COUPLING SHAFT	02
21	0501061214	FRAME	01



Item	Code	Description	QT
01	0502010540	HOUSING DM	01
02	0503010111	30210 ROLLER BEARING	02
03	0502040218	AXLE	01
04	0503030013	4.4" X 3.5" X 0.004" JOINT	02
05	0503030684	4.4" X 3.5" X 0.004" JOINT	01
06	0502020424	HOUSING CAP DM	01
07	0503010134	3/8" X 1" BOLT	04
08	0503030026	SEAL LP JB-253	02
09	0502010541	SEAL RETAINER	02
10	0502010070	OUTER FLANGE	01
11	0502010071	INNER FLANGE	01
12	0503010856	OIL PLUG	01



Item	Code	Description	QT
01	0502020313	HOUSING CM	01
02	0503010111	30210 ROLLER BEARING	02
03	0502040218	AXLE	01
04	0503010468	SEAL 01199-GB	02
05	0503030013	4.4" X 3.5" X 0.004" JOINT	02
06	0503030684	4.4" X 3.5" X 0.004" JOINT	01
07	0502020273	HOUSING CAP CM	01
08	0503011443	SPRING WASHER	04
09	0503810237	3/8 UNC X 1 C S G.5 SA BOLT	04
10	0502010070	OUTER FLANGE	01
11	0502010071	INNER FLANGE	01
12	0503010002	1800 GREASE FITTING	01



Item	Code	Description	QT
01	0501057763	ARM/DISARMMENT ROD ASSY	01
01A	0511068860	ROD DRIVING	01
01B	0511068861	COUPLING/UNCOUPLING ARM	01
01C	0503010060	1/2" NUT	01
01D	0501010161	1/2" X 1.1/4" BOLT	01
01E	0503010899	5/8" X 2-1/4" BOLT	01
01F	0503010027	SPRING WASHER	01
01G	0503010013	5/8" NUT	01
02	0501010765	SPINDLE GUIDE	01
03	0503030086	COMPRESSION SPRING	01
04	0502011321	11Z GEAR WITH RIGHT DRAGGER	01
05	0502011379	RH FOLLOWER	01
06	0501014453	LOCK BUSHING	01
07	0503010734	1/2" X 2-1/2" BOLT	02
08	0503010002	1800 GREASE FITTING	01
09	0503010253	57 CHAIN X 73 LINK	01
10	0501057350	SUPPORT MOTOR ASSY	01
10A	0501062862	MOTOR SUPPORT	01
10B	0501016631	SUPPORT FIXER MOTOR	04
10C	0511016819	CONICAL SPRING WASHER	04
11	0501057586	MOTOR SUPPORT ASSY	01
11A	0511067550	MOTOR SUPPORT	01
11B	0501010077	1/2" X 2" BOLT	04
11C	0503010060	1/2" NUT	04
12	0501057304	SUPPORT MOTOR ASSY	01
12A	0511067495	SUPPORT MOTOR	01
12B	0551011867	FIXER SUPPLEMENT FIXER MOTOR	04
12C	0511016819	CONICAL SPRING WASHER	04
13	0501057332	MOTOR SUPPORT ASSY	01
13A	0501061185	MOTOR SUPPORT ASSY	01
13B	0501010763	MOTOR SUPPORT FIXER	04
14	0501057338	MOTOR SUPPORT ASSY	01
14A	0511067495	SUPPORT MOTOR	01



SAC-M
HITCH SET

Item	Code	Description	QT
14B	0551011867	FIXER SUPPLEMENT FIXER MOTOR	04
14C	0511016819	CONICAL SPRING WASHER	04
15	0501057356	MOTOR SUPPORT ASSY	01
15A	0511067495	SUPPORT MOTOR	01
15B	0551010306	FIXER SUPPLEMENT FIXER MOTOR	04
15C	0511016819	CONICAL SPRING WASHER	04
16	0501057740	MOTOR SUPPORT ASSY	01
16A	0501061185	MOTOR SUPPORT ASSY	01
16B	0511014660	MOTOR SUPPORT FIXER	04
17	0501058914	MOTOR SUPPORT ASSY	01
17A	0511067981	MOTOR SUPPORT	01
17B	0561012398		04



MARCHESAN IMPLEMENTOS E MÁQUINAS AGRÍCOLAS TATU S.A.

AV. Marchesan, 1979 - Post office box, 131 - CEP 15994-900 - Matão - SP - Brazil

Phone +55 16.3382-8282

(FAX Parts) + 55 16.3382. 8297 - (Export) + 55 16.3382.1003

e.mail: tatu@marchesan.com.br www.marchesan.com.br

Technical Publications: Elaboration

JOSÉ DOMINGOS GASPARI

Technical Publications: Revision

ALESSANDRA PATRICIA KAWAHARA CARRILI

Contact Catálogo:

E-mail = jgaspari@marchesan.com.br

**ORIGINAL PARTS
TATU**

