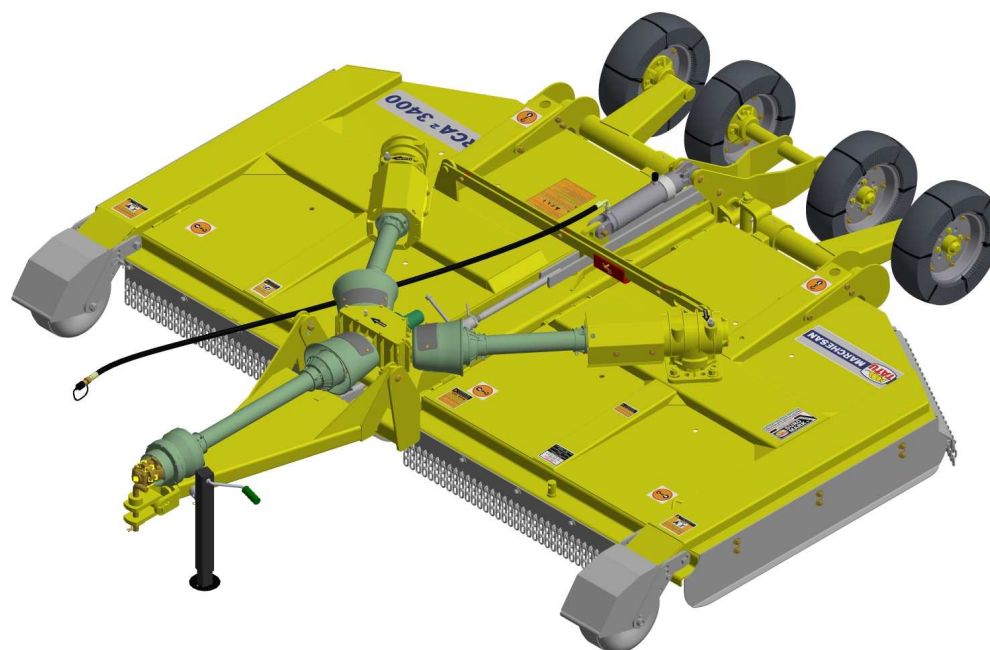


PARTS CATALOG

ROTARY CUTTERS

RCA2 3400

Code: 0501091790



Series: S-0516

Review: NOVEMBRO/2016

ORIGINAL PARTS
TATU



PRODUCTS

Code
0104120074

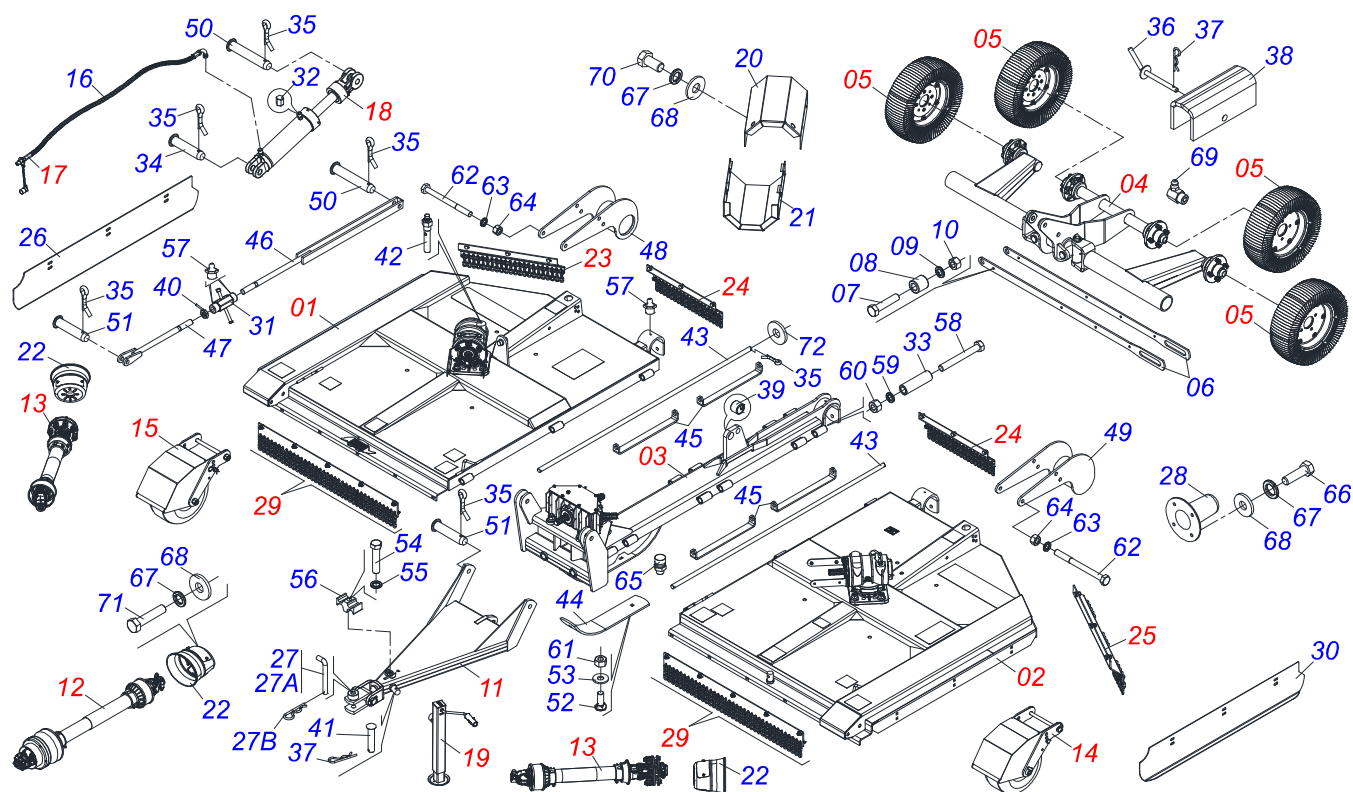
Description
RCA2 3400 C/PROT S-0516

ATTENTION: *IMPORTANT*

MARCHESAN S/A RESERVES THE RIGHT AT ANY TIME TO MAKE IMPROVEMENTS IN THE DESIGN, MATERIAL OR SPECIFICATIONS OF MACHINERY, EQUIPMENT OR PARTS WITHOUT THEREBY BECOMING LIABLE TO MAKE SIMILAR CHANGES IN MACHINERY, EQUIPMENT OR PARTS PREVIOUSLY SOLD.

INDEX

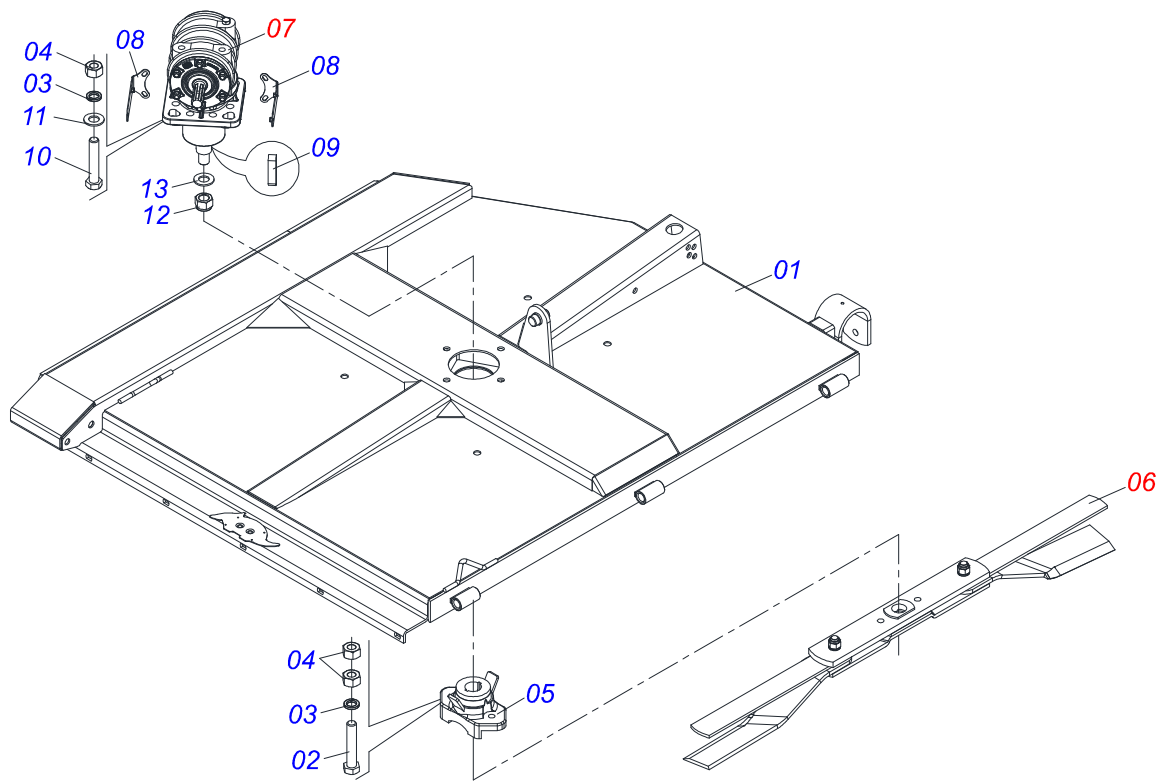
0521046858	FRAME ASSY	1
0521050123	RIGHT SIDE CHASSIS WITH MULTIPLIER	2
0501056329	SUPPORT ROTARY CUTTER BLADES	3
0511042527	SPEED MULTIPLIER	4
0521050124	LEFT SIDE CHASSIS WITH MULTIPLIER	5
0511042525	BOX MULTIPLIER	6
0501053414	CENTRAL CHASSIS	7
0501044074	TRIPLE DISTRIBUTOR RC 4500	8
0521050125	HUB AND SPINDLE ASSY	9
0501053419	HUB CENTER WHELLS SUPPORT	10
0501053420	HUB SIDE WHELLS SUPPORT	11
0501043559	RUBBER WHEEL ASSY	12
0501053417	DRAWBAR ASSY	13
0501049129	DRIVE SHAFT	14
0511040198	DRIVE SHAFT	15
0511048551	RIGHT FRONT WHEEL WITH FULL PROTECTION	16
0511044473	FRONT WHEELS ASSY	17
0501053834	TQUICK CONECTION (MALE) 1/2	18
0511058441	HYDRAULIC CYLINDER 44,45 X 85,70 X 540 X 179	19
0503062157	HEADER JACK	20
0909092282	CURRENT PROTECTION	21



Item	Code	Description	QT
01	0521050123	RIGHT SIDE CHASSIS WITH MULTIPLIER	01
02	0521050124	LEFT SIDE CHASSIS WITH MULTIPLIER	01
03	0501053414	CENTRAL CHASSIS	01
04	0521050125	HUB AND SPINDLE ASSY	01
05	0501043559	RUBBER WHEEL ASSY	04
06	0531012226	STABILIZER BAR	02
07	0503010905	1/2" X 2-1/4" BOLT	03
08	0521010456	13,2 X 25 X 25 SLEEVE	03
09	0503010019	1/2" SPRING WASHER	15
10	0503010060	1/2" NUT	03
11	0501053417	DRAWBAR ASSY	01
12	0501049129	DRIVE SHAFT	01
13	0511040198	DRIVE SHAFT	02
14	0511048551	RIGHT FRONT WHEEL WITH FULL PROTECTION	01
15	0511044473	FRONT WHEELS ASSY	01
16	0501080422	3/8" X 157" TC-TM HOSE ASSY	01
17	0501053834	TQUICK CONECTION (MALE) 1/2	01
18	0511058441	HYDRAULIC CYLINDER 44,45 X 85,70 X 540 X 179	01
19	0503062157	HEADER JACK	01
20	0521067419	CARDAN SUPERIOR PROTECTION COVER	02
21	0521067420	LOWER PROTECTION LID CARDAN	02
22	0503018440	PROTECTION FOR SOCKET	03
23	0909092282	CURRENT PROTECTION	01
24	0909092282	CURRENT PROTECTION	02
25	0909092282	CURRENT PROTECTION	01
26	0581013001	RIGHT SIDE CLOSURE	01
27	0501040343	DDRAWBOLT ASSY	01
27A	0521010453	GCOUPLING SHAFT	01
27B	0503031035	HAIR PIN	01
28	0503034005	COVER PROTECTION FOR SHAFT	01
29	0909092282	CURRENT PROTECTION	02
30	0581013002	CLOSING SIDE LEFT	01
31	0521064756	ADJUSTING NUT	01

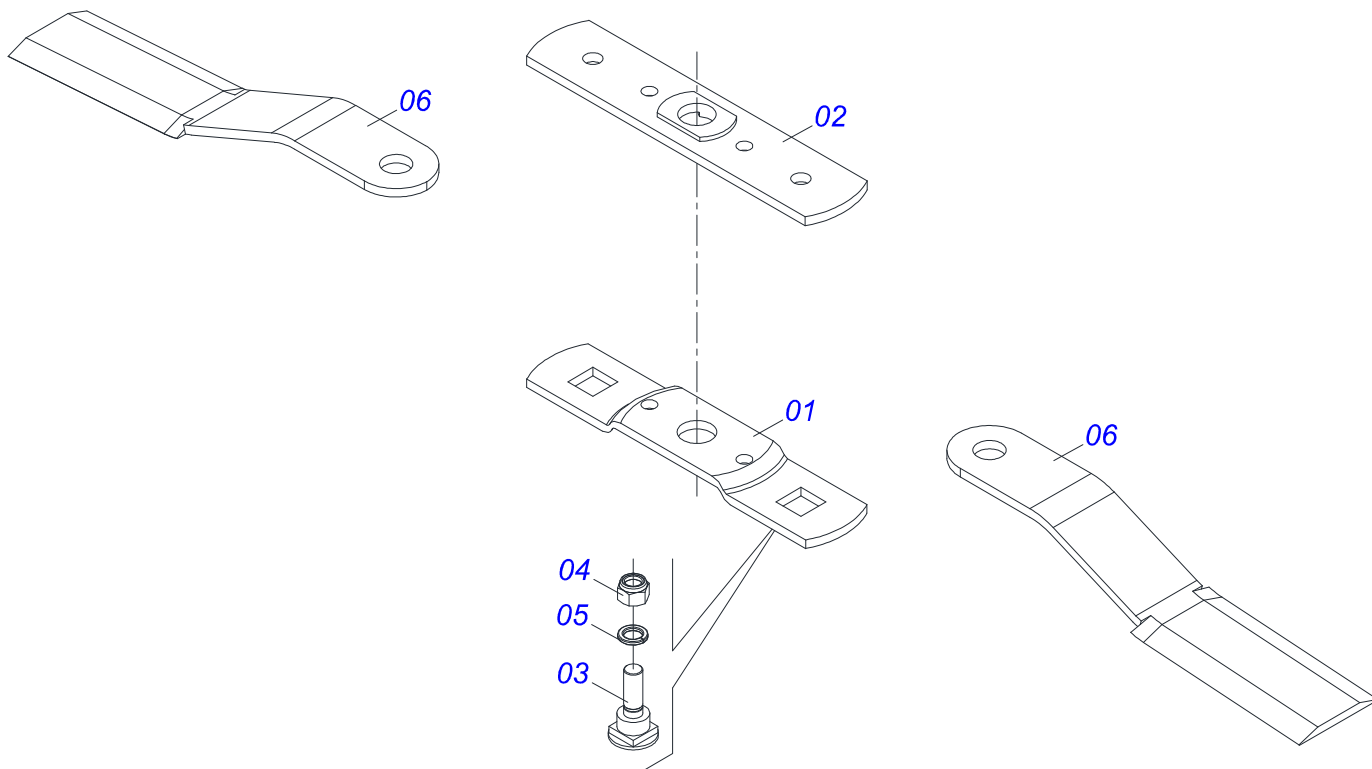
FRAME ASSY

Item	Code	Description	QT
32	0511017628	BREATHING HOLE OF THE CYLINDER HIDR	01
33	0511017147	0.8" X 1.2" X 4.1" BUSHING	03
34	0521010575	C0.9" X 3.3" COUPLING SHAFT	01
35	0503010571	1/4 X 1.1/2 COTTERPIN	10
36	0501068994	0.3" X 3.1" LOCK PIN	01
37	0503030168	HAIR PIN	02
38	0521014258	LOCK BOLT	01
39	0511019921	1.3" X 0.1" X 1" SLEEVE	02
40	0501064974	LOCKNUT WITH HANDLER	01
41	0521010549	COUPLING SHAFT	01
42	0501110186	OIL SMALLER LEVEL INDICATOR	02
43	0531012224	FRAME UNION AXLE	02
44	0521013465	SKID GUIDE	01
45	0561010384	FRAME PROTECTION	04
46	0511062795	LARGER STABILIZER	01
47	0511062794	SMALLER STABILIZER	01
48	0511060360	WHEELS RIGHT FIXER	01
49	0511060361	WHEELS LEFT FIXER	01
50	0521010585	0.9" X 5.9" COUPLING SHAFT	02
51	0521010572	0.9" X 2.9" COUPLING SHAFT	03
52	0503012956	1/2" X 1-1/2" BOLT	02
53	0511017302	5FLAT WASHER	14
54	0503012555	7/16" X 2" BOLT	01
55	0503010180	SPRING WASHER	01
56	0502012702	UPPER CLIP	01
57	0503010002	GRAXEIRA 1800	07
58	0503011198	C3/4" X 6" BOLT	03
59	0503010023	SPRING WASHER	03
60	0503010014	3/4" NUT	03
61	0503010020	1/2" NUT	14
62	0503010795	5/8" X 7" BOLT	06
63	0503010027	SPRING WASHER	06
64	0503010013	5/8" NUT	06
65	0503010325	VCA-118 VALVE	01
66	0501011600	1/2" X 1-1/4" BOLT	12
67	0503010025	3/8 SPRING WASHER	26
68	0501010984	FLAT WASHER	22
69	0503010003	3/8" GREASE FITTING	04
70	0503010256	3/8" X 3/4" BOLT	10
71	0503010751	C3/8" X 1.1/4" HEX BOLT G.5	16
72	0501011445	FLAT WASHER	04

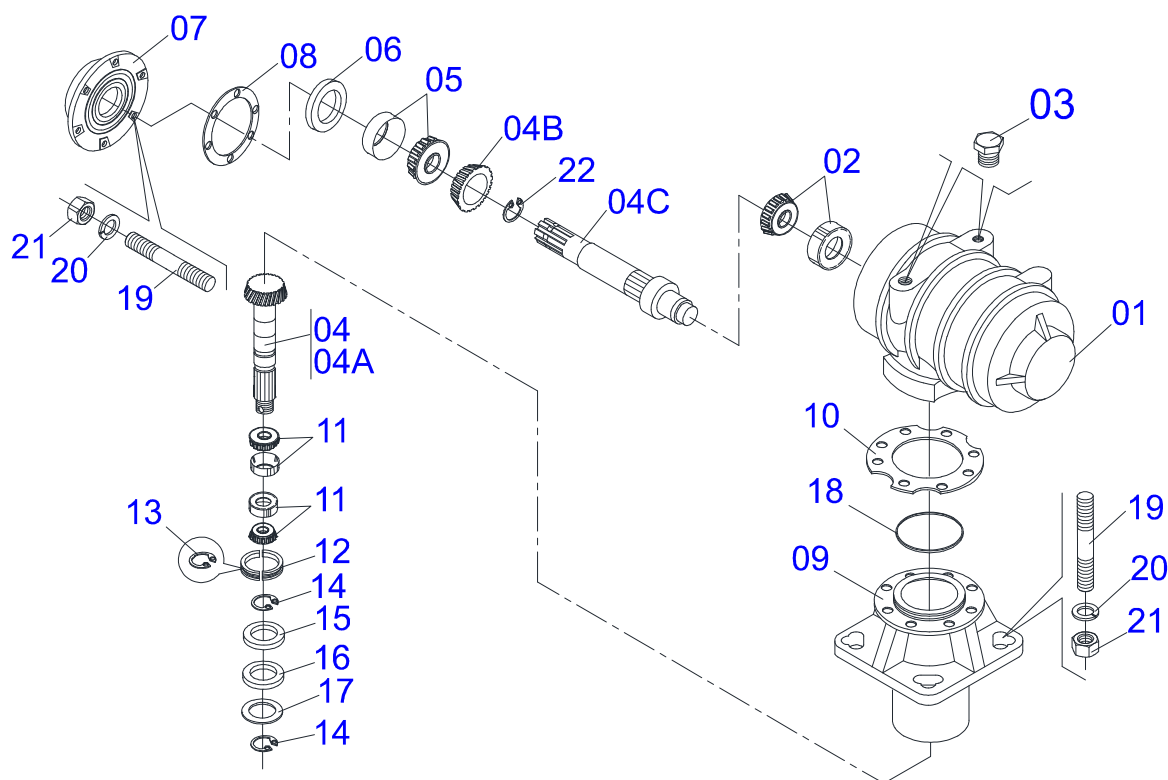


Item	Code	Description	QT
01	0521067343	RIGHT SIDE FRAME	01
02	0501010195	3/4" X 3-1/2" BOLT	02
03	0503011442	3/4" SPRING WASHER	06
04	0503010014	3/4" NUT	06
05	0502012453	SUPPORT FLANGE	01
06	0501056329	SUPPORT ROTARY CUTTER BLADES	01
07	0511042527	SPEED MULTIPLIER	01
08	0521066967	FIXER COVER PROTECTION CARDAN	02
09	0501010536	KEYWAY SQUARE	02
10	0503817867	BOLD	04
11	0501010322	FLAT WASHER	04
12	0503010817	1-1/4" SELF-ADJUSTING NUT	01
13	0501017779	FLAT WASHER	01

SUPPORT ROTARY CUTTER BLADES

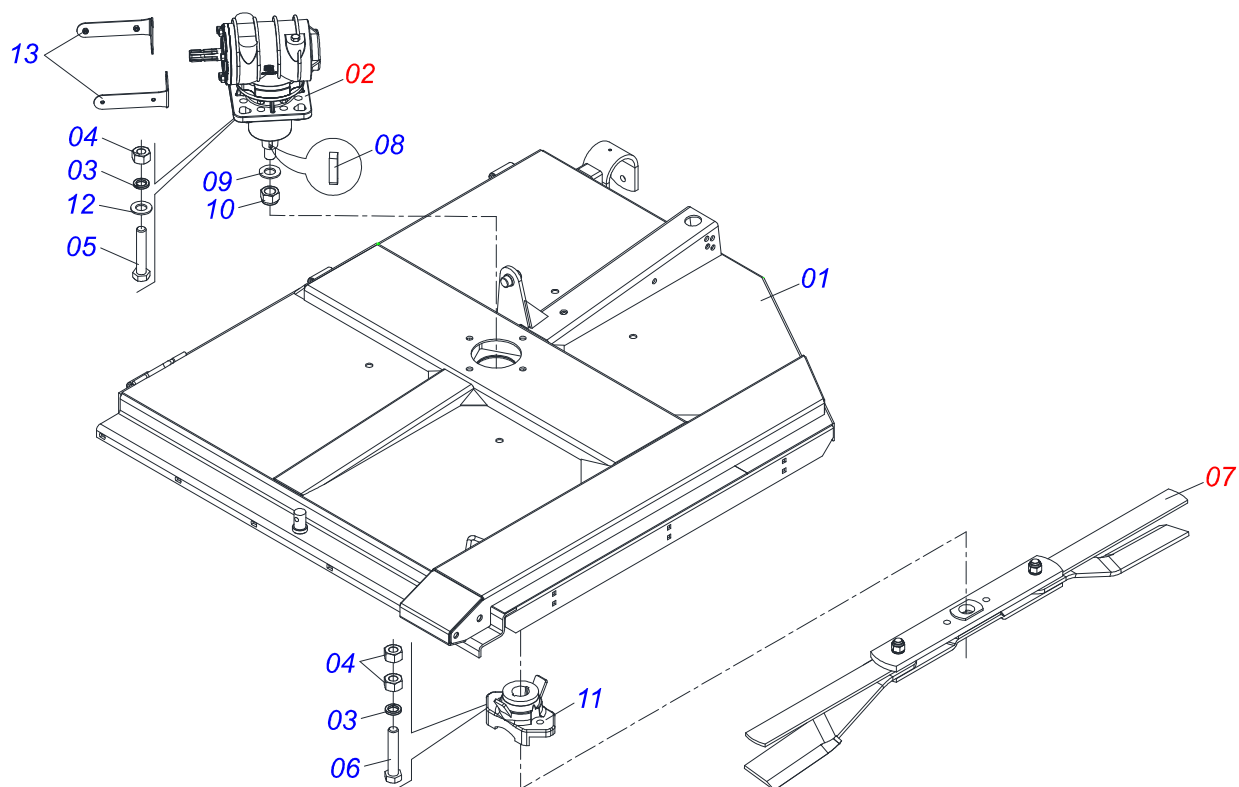


Item	Code	Description	QT
001	0561017369	ROTARY LOWER SUPPORT LOWER	01
002	0561017307	SUPPORT UPPER BASE	01
003	0511019000	BOLT	02
004	0503010812	7/8" SELF-ADJUSTING NUT	02
005	0503011447	SPRING WASHER	02
006	0622400051	24.5" X 3.94" X 0.5" ROTARY CUTTER	02

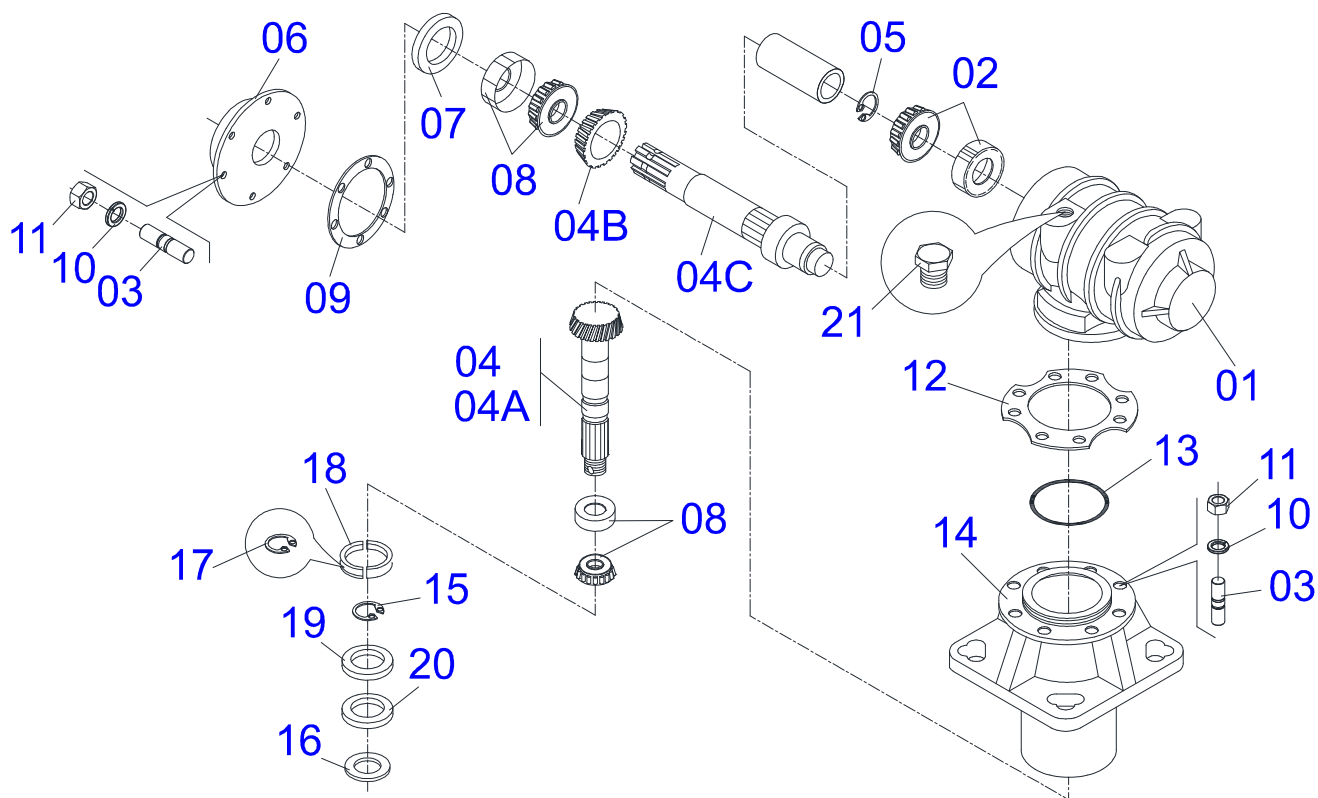


Item	Code	Description	
01	0502012204	SPEED MULTIPLIER BOX	01
02	0503012418	32211 ROLLER BEARING	01
03	0503031604	1/2" BSP PLUG	02
04	0503061699	CHAIN ASSY	01
04A	0503031918	18Z CONICAL GEAR	01
04B	0503031917	12Z LOWER CONICAL GEAR	01
04C	0503032058	UPPER AXLE	01
05	0503010750	30209 BALL BEARING	01
06	0503012103	5301 -BSEAL	01
07	0502012203	RH COVER MULTIPLIER	01
08	0503030783	7.1" X 5.3" X 0.008" JOINT	06
09	0502012206	LOWER HUB	01
10	0503030785	7.9" X 5.9" X 0.008" JOINT	03
11	0503012418	32211 ROLLER BEARING	02
12	0531019302	LOCK RING	01
13	0503012311	501065 RENO RING	01
14	0503011420	502100 CLAMPING RING (FOR AXLE)	02
15	0503013211	6016 BRG SEAL	01
16	0503013201	ARCA 6016 BRG SEAL	01
17	0531018823	FLAT WASHER	01
18	0503010286	2-355 N 3006-9B O'RING	01
19	0503030084	1/2" X 1/2" X 2.0" STUD	14
20	0503011440	SPRING WASHER	14
21	0503010028	1/2" NUT	14
22	0503014772	501056 CLAMPING RING (FOR AXLE)	01

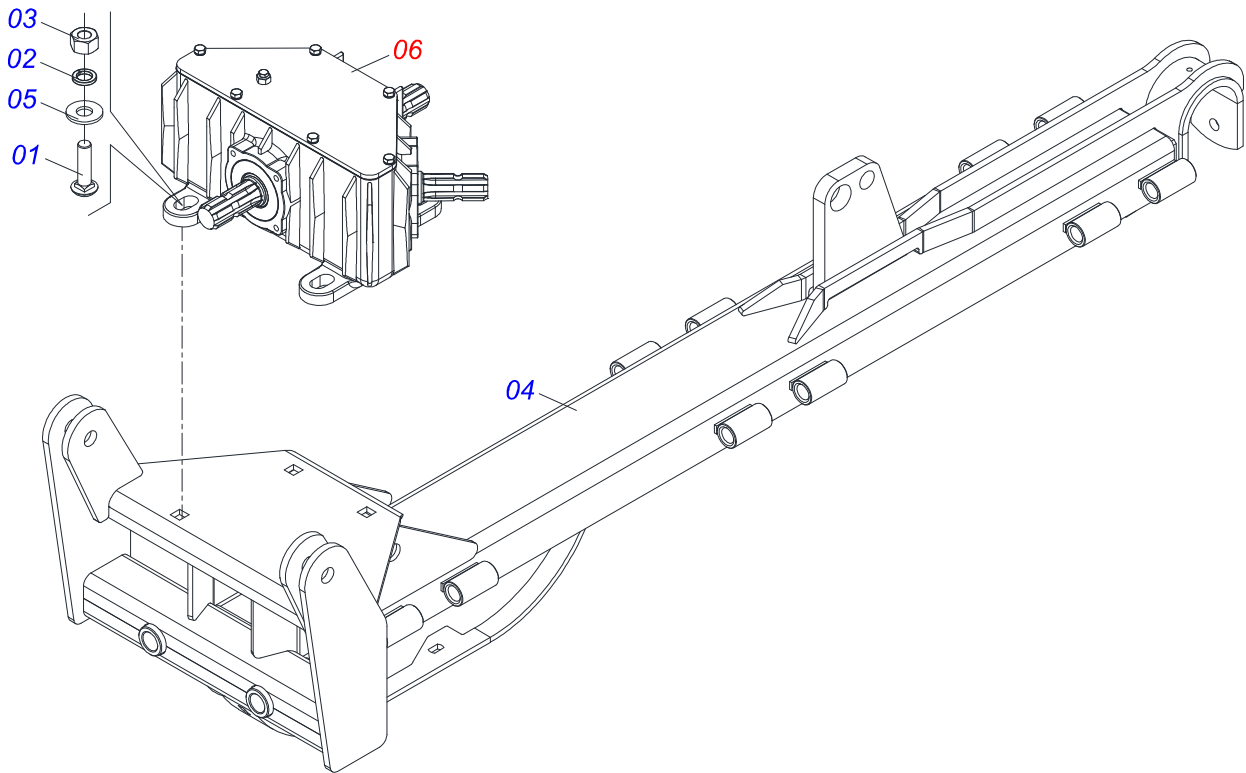
LEFT SIDE CHASSIS WITH MULTIPLIER



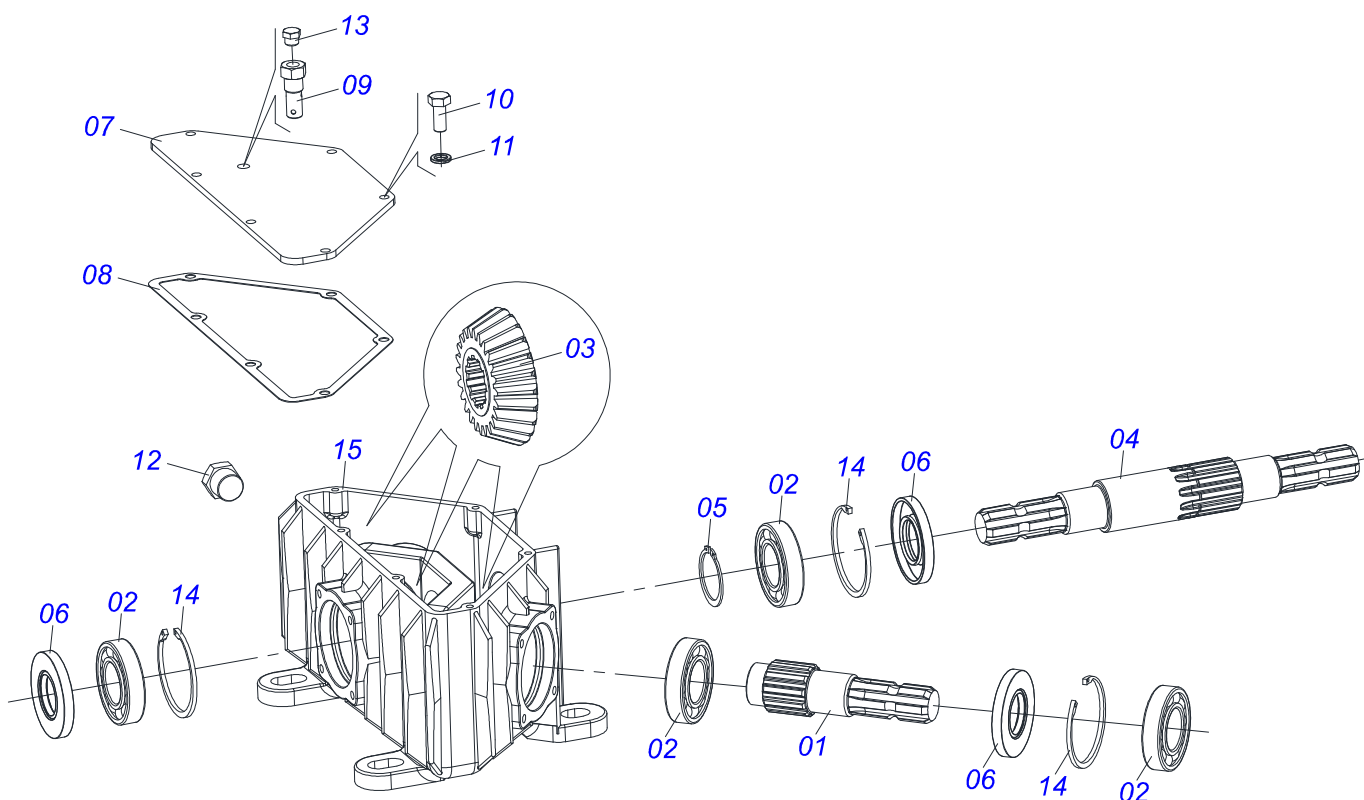
Item	Code	Description	QT
01	0521067345	LEFT SIDE FRAME	01
02	0511042525	BOX MULTIPLIER	01
03	0503011442	3/4" SPRING WASHER	06
04	0503010014	3/4" NUT	06
05	0503817867	BOLD	04
06	0501010195	3/4" X 3-1/2" BOLT	02
07	0501056329	SUPPORT ROTARY CUTTER BLADES	01
08	0501010536	KEYWAY SQUARE	02
09	0501017779	FLAT WASHER	01
10	0503010817	1-1/4" SELF-ADJUSTING NUT	01
11	0502012453	SUPPORT FLANGE	01
12	0501010322	FLAT WASHER	04
13	0521066967	FIXER COVER PROTECTION CARDAN	02



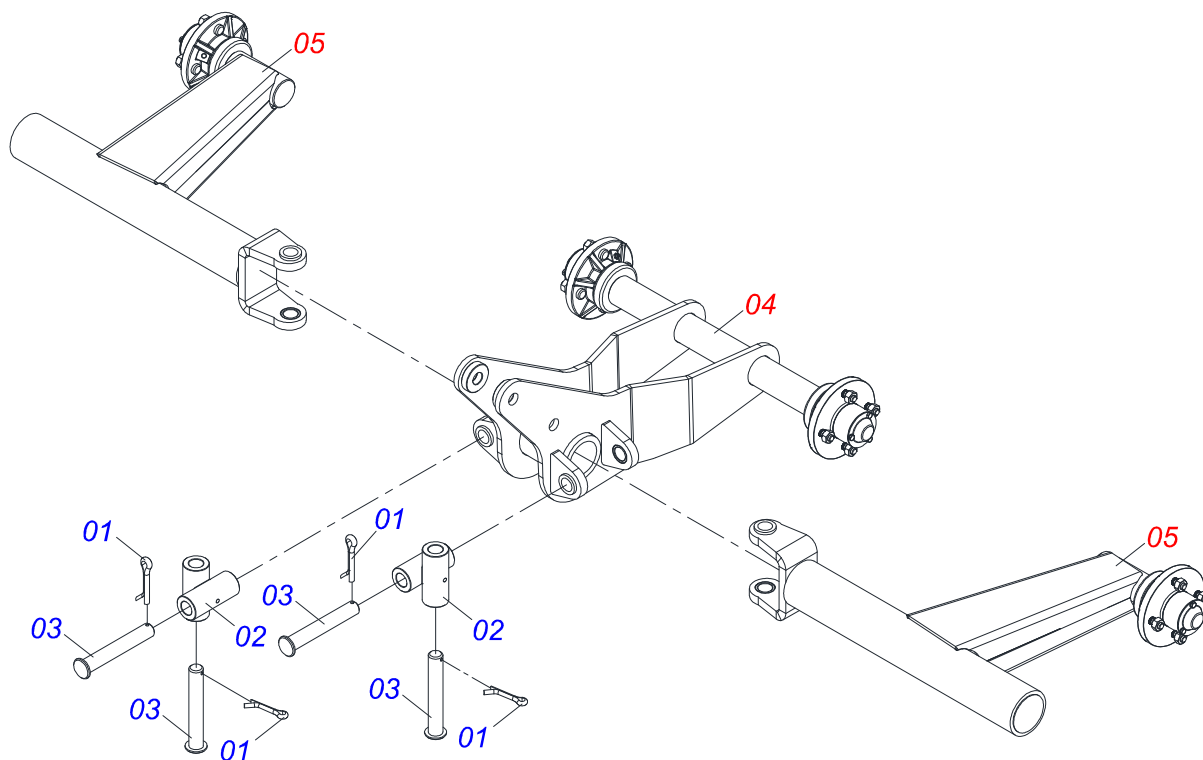
Item	Code	Description	
01	0502012205	BOX MULTIPLIER	01
02	0503010750	30209 BALL BEARING	01
03	0503030084	1/2" X 1/2" X 2.0" STUD	14
04	0503061698	CROWN PINION SET 12Z 12Z AXLE LEFT	01
04A	0503031917	12Z LOWER CONICAL GEAR	01
04B	0503031918	18Z CONICAL GEAR	01
04C	0503032043	UPPER AXLE	01
05	0503014772	501056 CLAMPING RING (FOR AXLE)	01
06	0502012207	COVER MULTIPLIER	01
07	0503012103	5301 -BSEAL	01
08	0503012418	32211 ROLLER BEARING	03
09	0503030783	7.1" X 5.3" X 0.008" JOINT	03
10	0503011440	SPRING WASHER	14
11	0503010028	1/2" NUT	14
12	0503030785	7.9" X 5.9" X 0.008" JOINT	03
13	0503010286	2-355 N 3006-9B O'RING	01
14	0502012206	LOWER HUB	01
15	0503011420	502100 CLAMPING RING (FOR AXLE)	02
16	0531018823	FLAT WASHER	01
17	0503012311	501065 RENO RING	01
18	0531019302	LOCK RING	01
19	0503013211	6016 BRG SEAL	01
20	0503013201	ARCA 6016 BRG SEAL	01
21	0503031604	1/2" BSP PLUG	01



Item	Code	Description	QT
001	0501817305	SCREW 3/4 UNC X 2.1/4 CAPQ G.5 SA	04
002	0503011442	3/4" SPRING WASHER	04
003	0503010014	3/4" NUT	04
004	0521065964	CENTRAL FRAME	01
005	0501010322	FLAT WASHER	04
006	0501044074	TRIPLE DISTRIBUTOR RC 4500	01

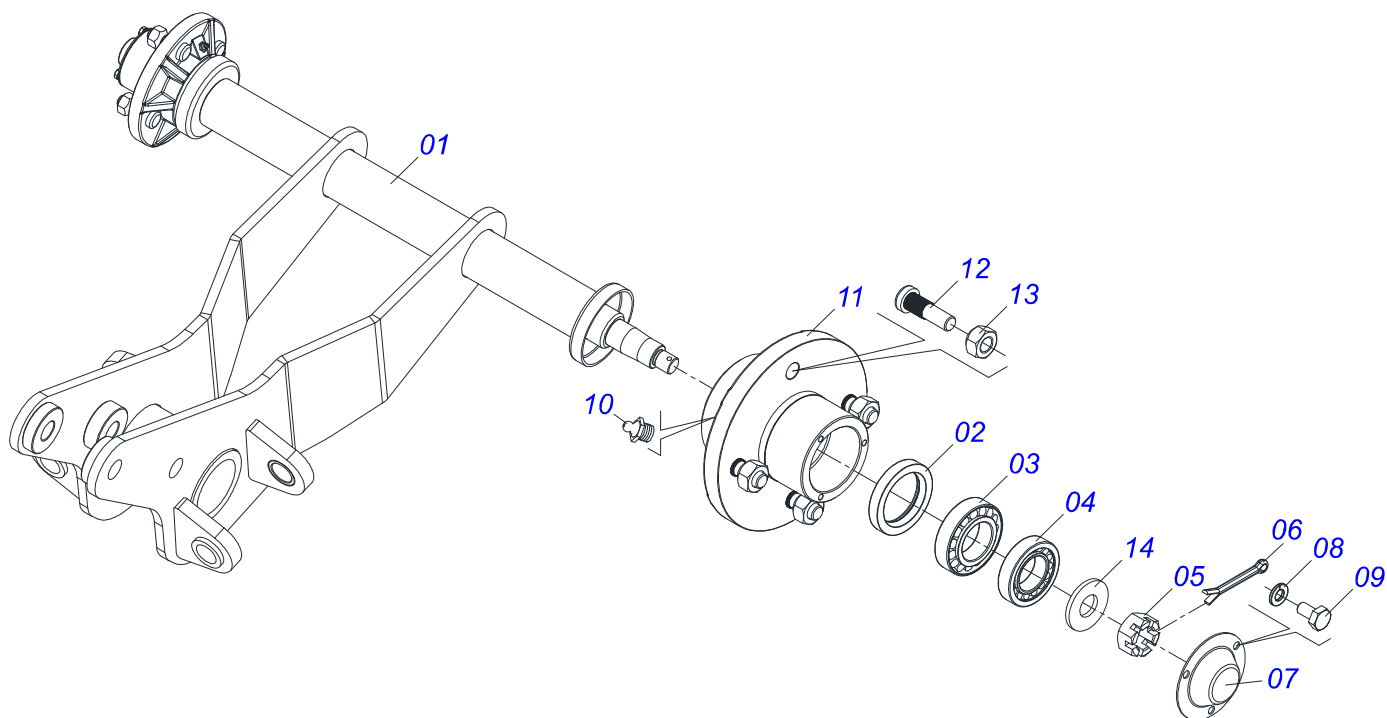


Item	Code	Description	QT
001	0503030633	SIDE AXLE	02
002	0503011095	6208 BALL BEARING	06
003	0503030632	24Z CONICAL GEAR	03
004	0503030631	CENTRAL AXLE	01
005	0503010372	501050 CLAMPING RING (FOR AXLE)	01
006	0503010818	02675-BRG SEAL	04
007	0511011206	BOX COVER	01
008	0503030656	13.9" X 6.1" X 0.03" JOINT	01
009	0511013020	1.49" BREATHING HOLE	01
010	0503010240	5/16" X 3/4" BOLT	06
011	0503011444	SPRING WASHER	06
012	0503010856	OIL PLUG	01
013	0511017907	1/8" BSPT X 6 PLUG	01
014	0503011100	502080 CLAMPING RING (FOR AXLE)	08
015	0502010861	DISTRIBUTOR BOX	01



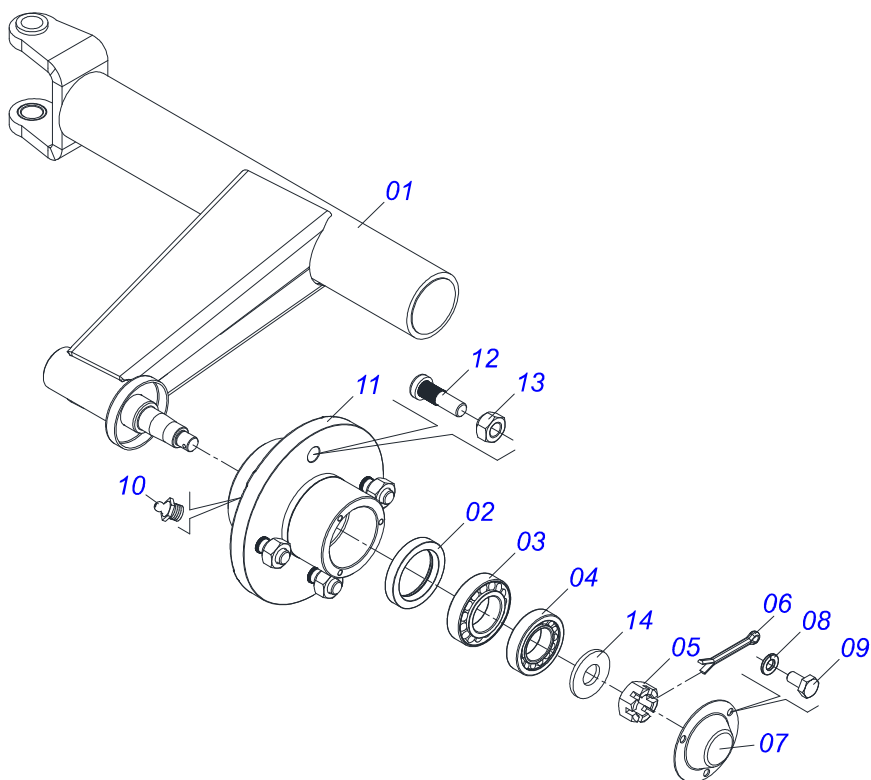
Item	Code	Description	QT
01	0503010523	1/4" X 2" COTTERPIN	04
02	0511064945	CROSSPIECE	02
03	0521018993	CROSSPIECE COUPLING SHAFT	04
04	0501053419	HUB CENTER WHELLS SUPPORT	01
05	0501053420	HUB SIDE WHELLS SUPPORT	02

HUB CENTER WHELLS SUPPORT

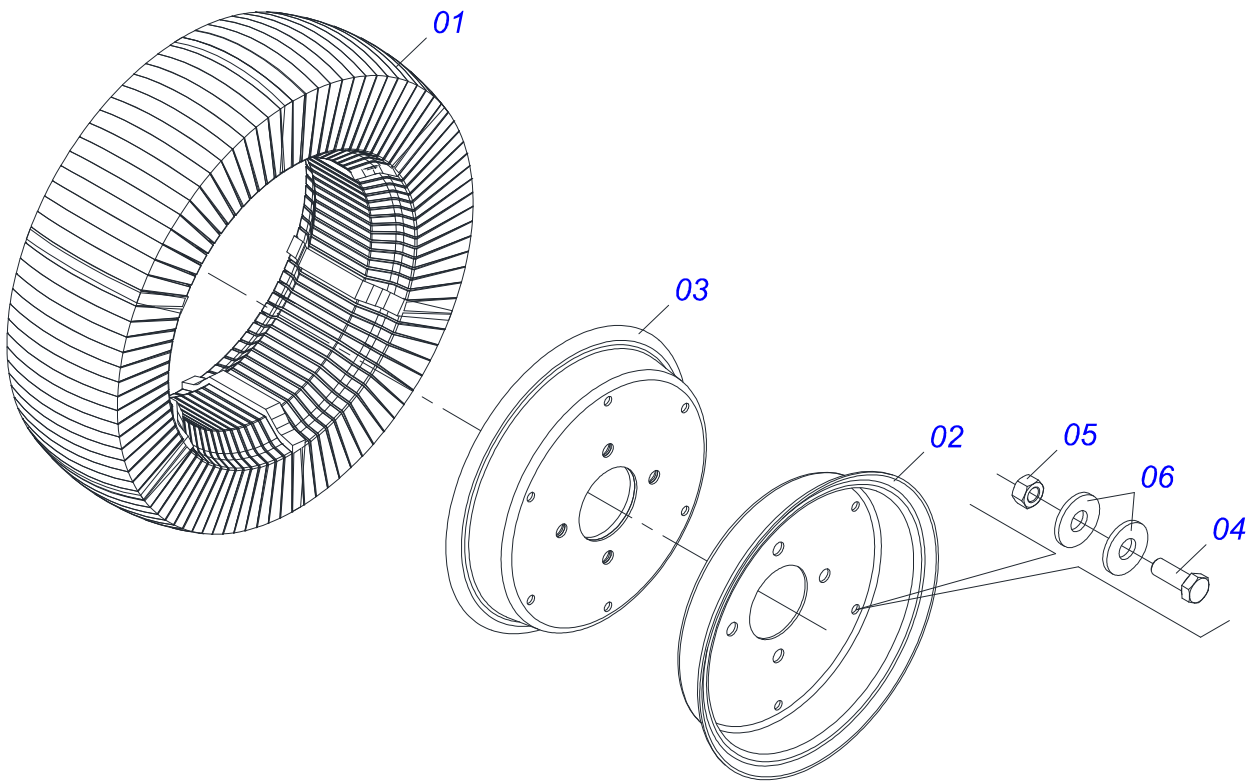


Item	Code	Description	QT
001	0511062797	CENTER WHELLS SUPPORT	01
002	0503010278	SEAL	02
003	0503010016	BEARING LM	02
004	0503010022	BEARING LM	02
005	0503030010	7/8" CASTLE NUT	02
006	0503010018	CONTRAPINO 5/32 X 1.1/2	02
007	0521010388	PROTECTIVE COVER	02
008	0503011441	SPRING WASHER	06
009	0503013758	1/4" X 1-1/2" BOLT	06
010	0503010002	GRAXEIRA 1800	02
011	0501110746	CARRYING WHEEL HUB	02
012	0501810127	9/16UNFX1.7/8BOLT	08
013	0503810035	9/16 NF CONIC NUT	08
014	0501010322	FLAT WASHER	02

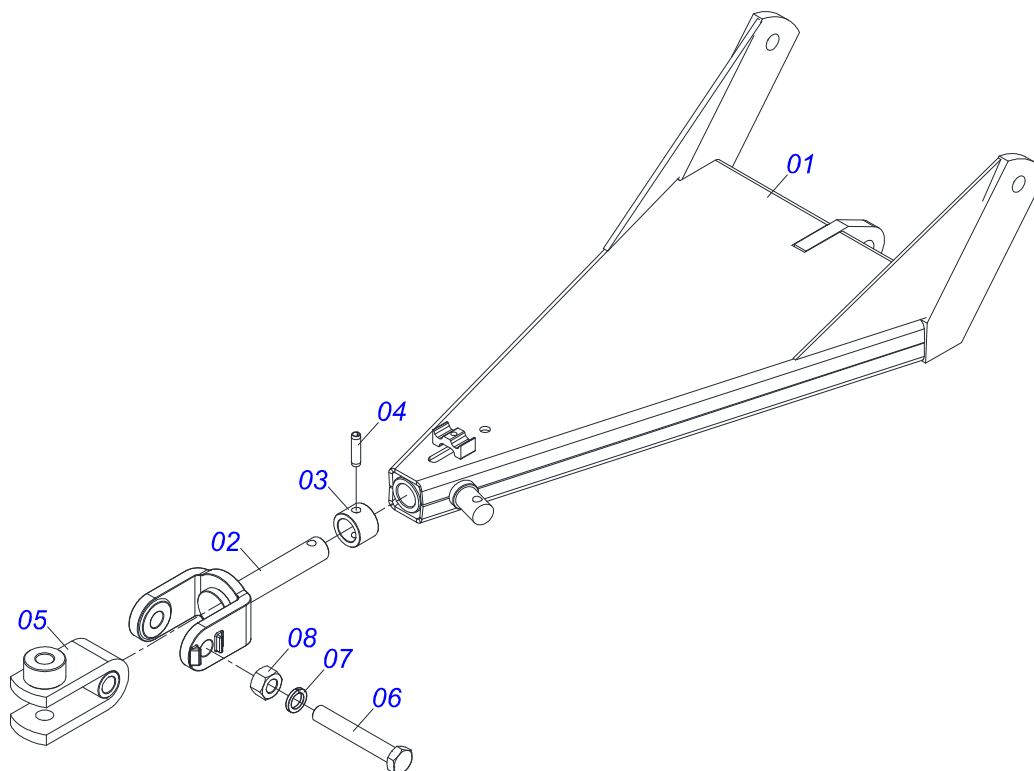
HUB SIDE WHELLS SUPPORT



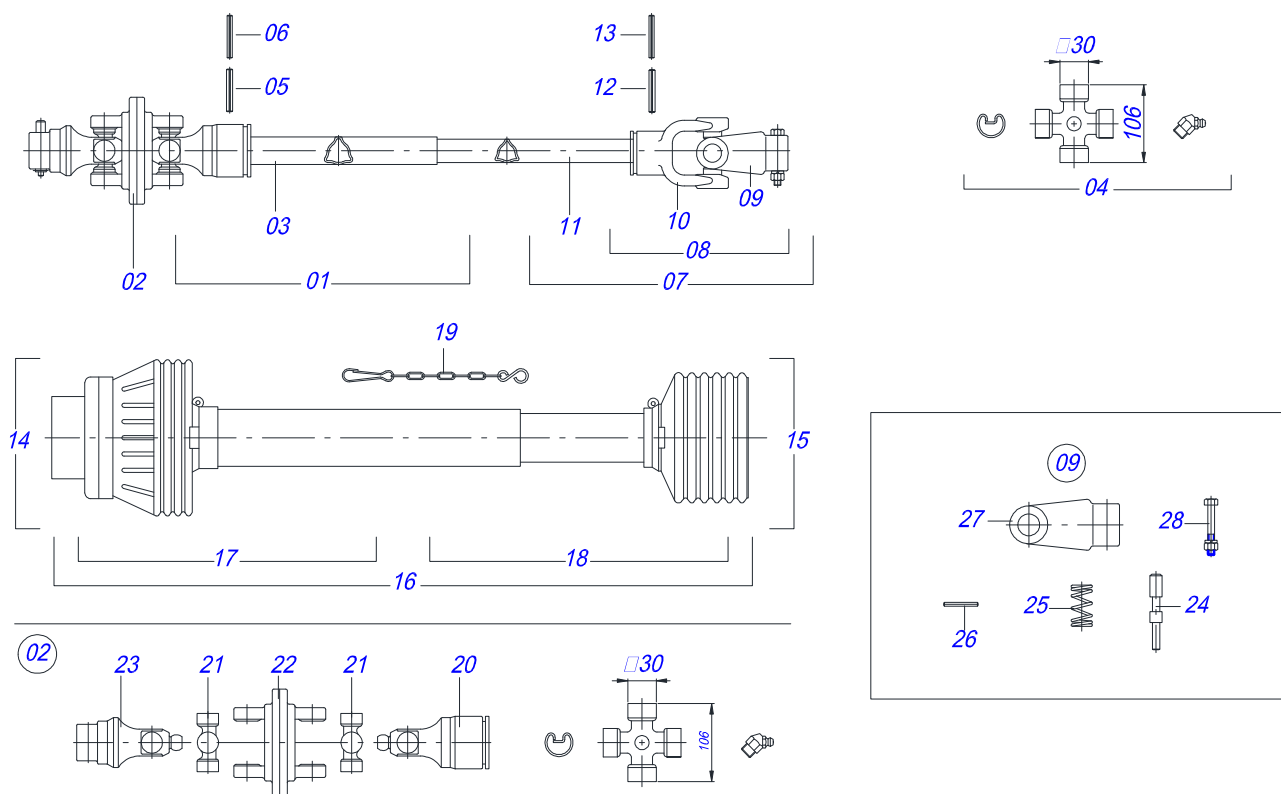
Item	Code	Description	QT
001	0511062796	SIDE WHELLS SUPPORT	01
002	0503010278	SEAL	01
003	0503010016	BEARING LM	01
004	0503010022	BEARING LM	01
005	0503030010	7/8" CASTLE NUT	01
006	0503010018	CONTRAPINO 5/32 X 1.1/2	01
007	0521010388	PROTECTIVE COVER	01
008	0503011441	SPRING WASHER	03
009	0503013758	1/4" X 1-1/2" BOLT	03
010	0503010002	GRAXEIRA 1800	01
011	0501110746	CARRYING WHEEL HUB	01
012	0501010127	9/16" X 1-7/8" LUG BOLT	04
013	0503010035	9/16" CONIC NUT	04
014	0501010322	FLAT WASHER	01



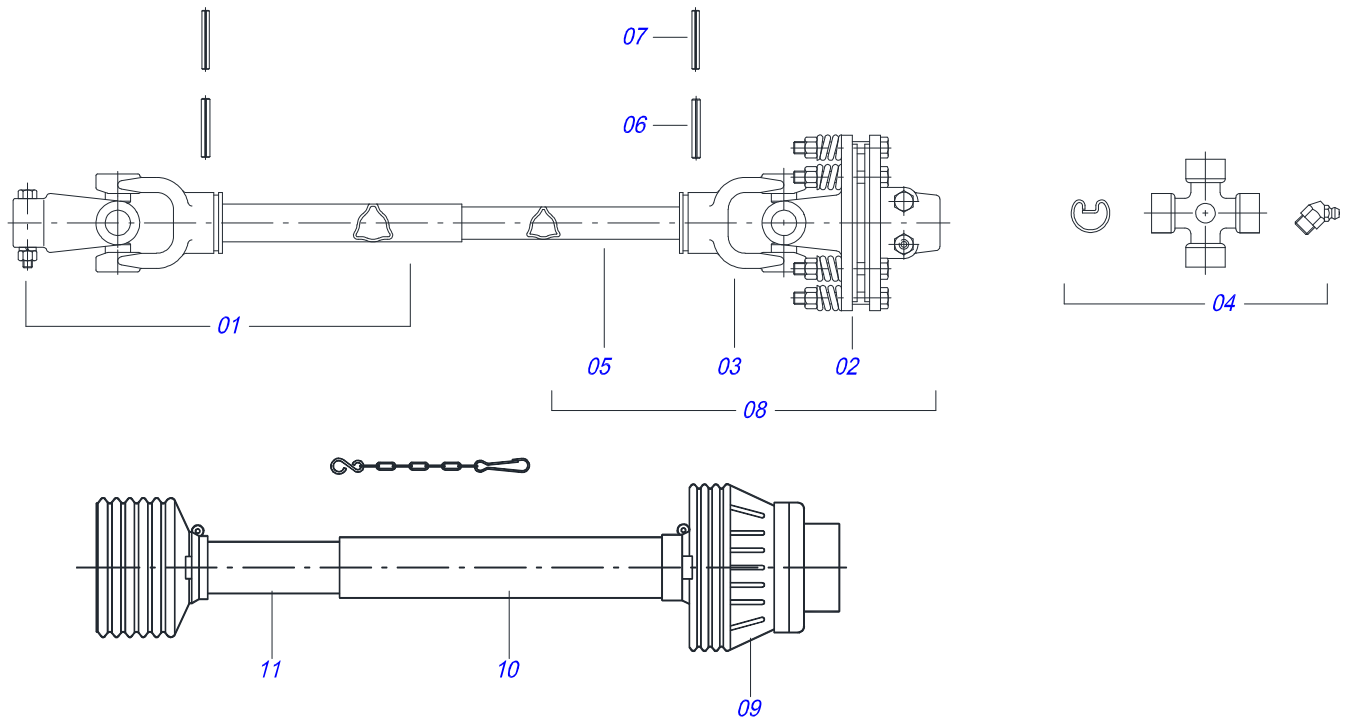
Item	Code	Description	QT
001	0501110168	WHEEL SEGMENT BODY	01
002	0521010829	RIM FLANGE	01
003	0501069093	RIM FLANGE	01
004	0503010237	3/8" X 1" BOLT	06
005	0503010026	3/8" NUT	06
006	0501012803	FLAT WASHER	12



Item	Code	Description	QT
001	0511062793	DRAWBAR	01
002	0501063628	ROTARY HITCH	01
003	0521010473	1.5" X 2.2" X 1.6" SLEEVE WITH HOLE	01
004	0503010815	0.5" X 2.16" SPRING PIN	01
005	0521065106	U COUPLING TRACTOR	01
006	0501010060	1" X 6-1/2" BOLT	01
007	0503011438	SPRING WASHER	01
008	0501010059	1.5/8 NUT	01



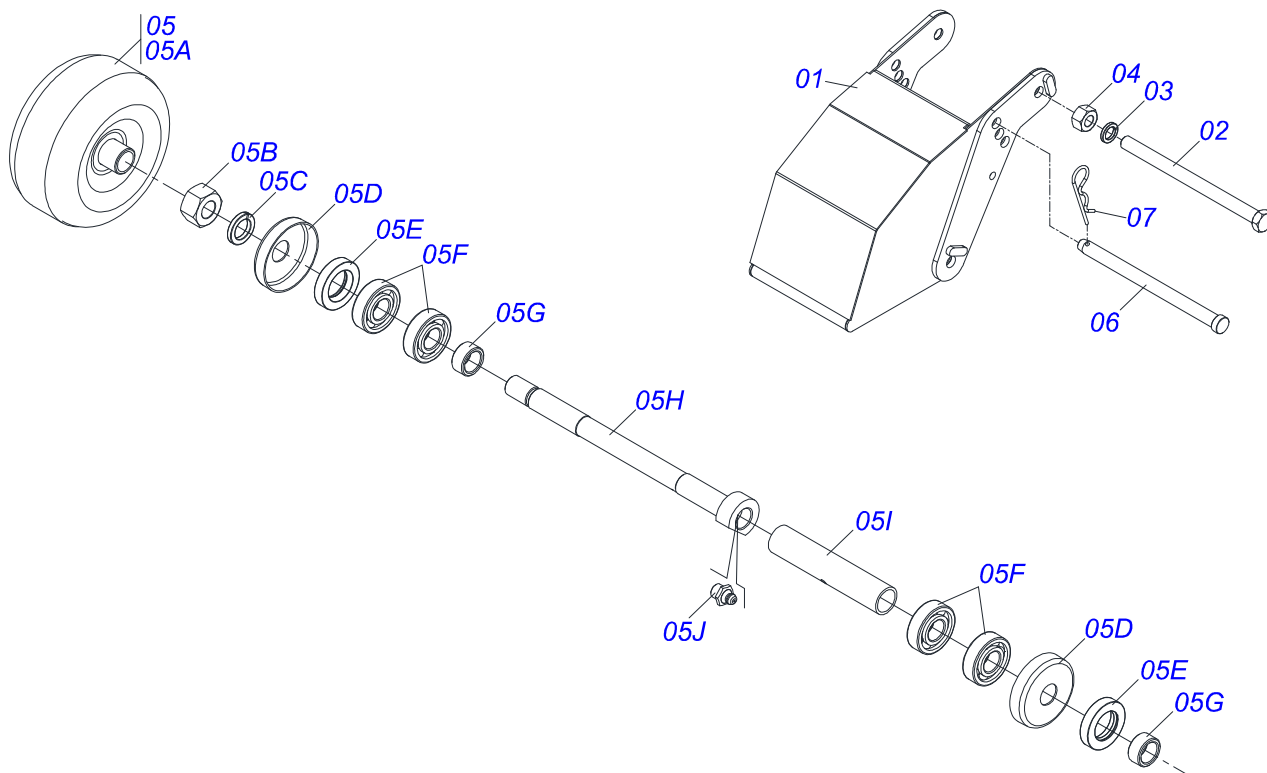
Item	Code	Description	
01	0501052544	HOMO JOINT WITH FEMALE BUSHING	01
02	0501052518	HOMOCINETIC JOINT ASSY	01
03	0503012618	2.1" X 2.0" X 31" TRIAN FEMALE TUB	01
04	0503010837	CARDAN CROSSPIECE	01
05	0503010843	0.4" X 3.3" SPRING PIN	01
06	0503011878	0.2" X 3.3" SPRING PIN	01
07	0501052545	UNIVERSAL JOINT WITH CROSS/SHAFT	01
08	0501052546	UNIVERSAL JOINT	01
09	0501052516	T6-60 TERMINAL WITH SCREW	01
10	0503012600	T3-60/CI52 TERMINAL	01
11	0503012619	1.8" X 1.7" X 31" TRIAN MALE TUB	01
12	0503011069	0.4" X 2.8" SPRING PIN	01
13	0503011805	0.2" X 2.8" SPRING PIN	01
14	0501052548	HOMO JOINT WITH PROT FEMALE BUSHING	01
15	0501052549	UNIVERSAL JOINT WITH SHAFT/PROT	01
16	0503012620	PROTECTION ASSY	01
17	0503012621	PROTECTION FOR HOMO JOINT AND SLEEV	01
18	0503012076	PROTECTION FOR UNIV JOINT AND AXLE	01
19	0503012023	CHAIN FOR UNIV JOINT PROTECTION	01
20	0503012604	HOMO TERMINAL W/ FEMALE BUSHING	01
21	0503012605	CROSSPIECE	02
22	0503012606	CENTER BODY	01
23	0503012607	TRACTOR HOMOCINETIC TERMINAL	01
24	0503037375	PIN QUICK COUPLING	02
25	0503030518	0.5"X1.0"X 0.1" COMPRESSION SPRING	02
26	0503010838	0.1" X 0.8" SPRING PIN	02
27	0502010830	6-60 STRIATED 1.3/8" TERMINAL	01
28	0501047756	1/2" X 3" SET PARTS	02



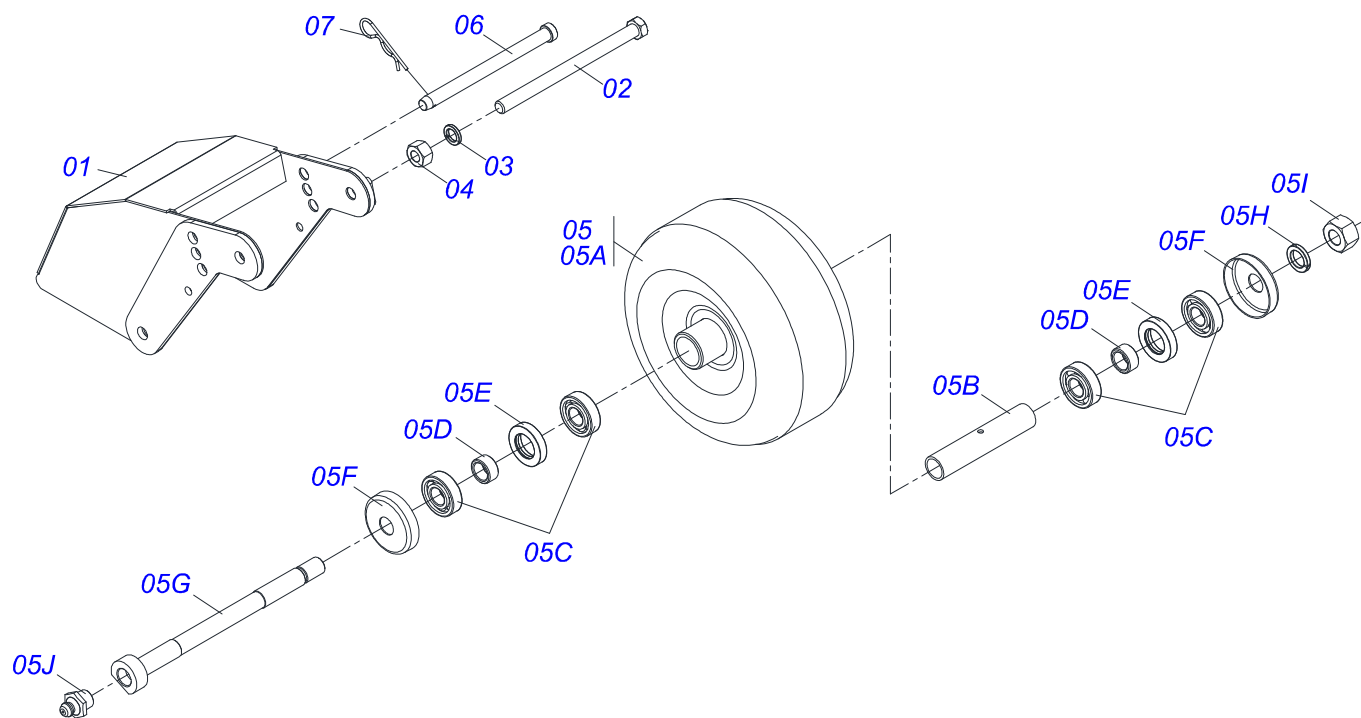
Item	Code	Description	
01	0503013279	FEMALE CARDAN	01
02	0501047953	90 KGM FRICTION	01
03	0503013187	TERMINAL	01
04	0503013260	CROSSPIECE	01
05	0503013261	MALE TRINGULAR TUBE	01
06	0503010842	0.39" X 2.95" SPRING PIN	01
07	0503013259	0.2" X 0.39" SPRING PIN	01
08	0503013278	MALE CARDAN	01
09	0503013262	FRICTION DISC PROTECTION ASSY	01
10	0503013263	FEMALE PROTECTION TUBE	01
11	0503013264	MALE PROTECTION TUBE	01

RIGHT FRONT WHEEL WITH FULL PROTECTION

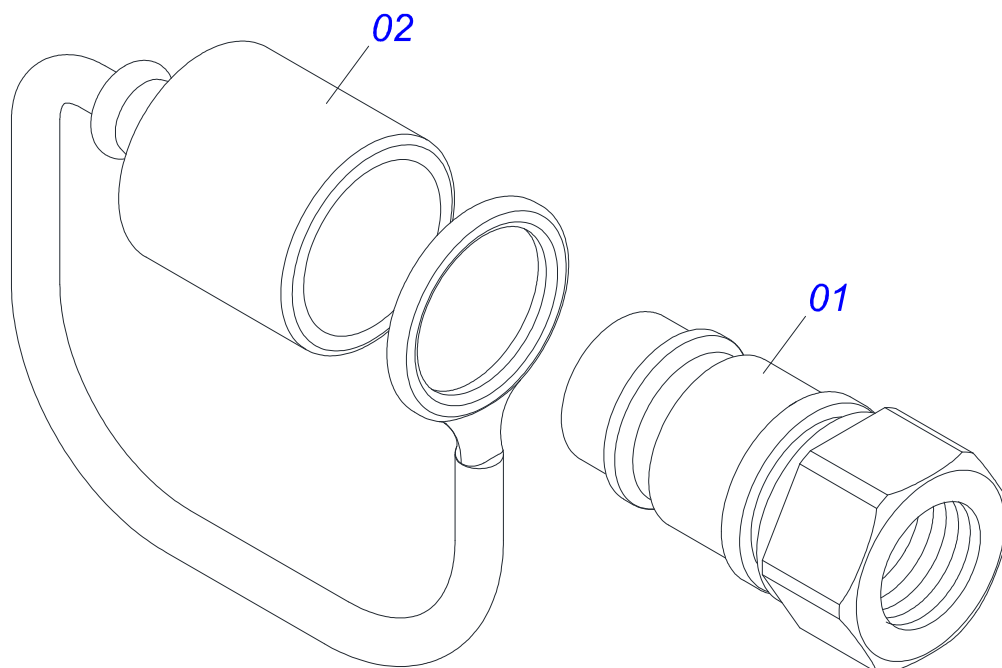
0511048551



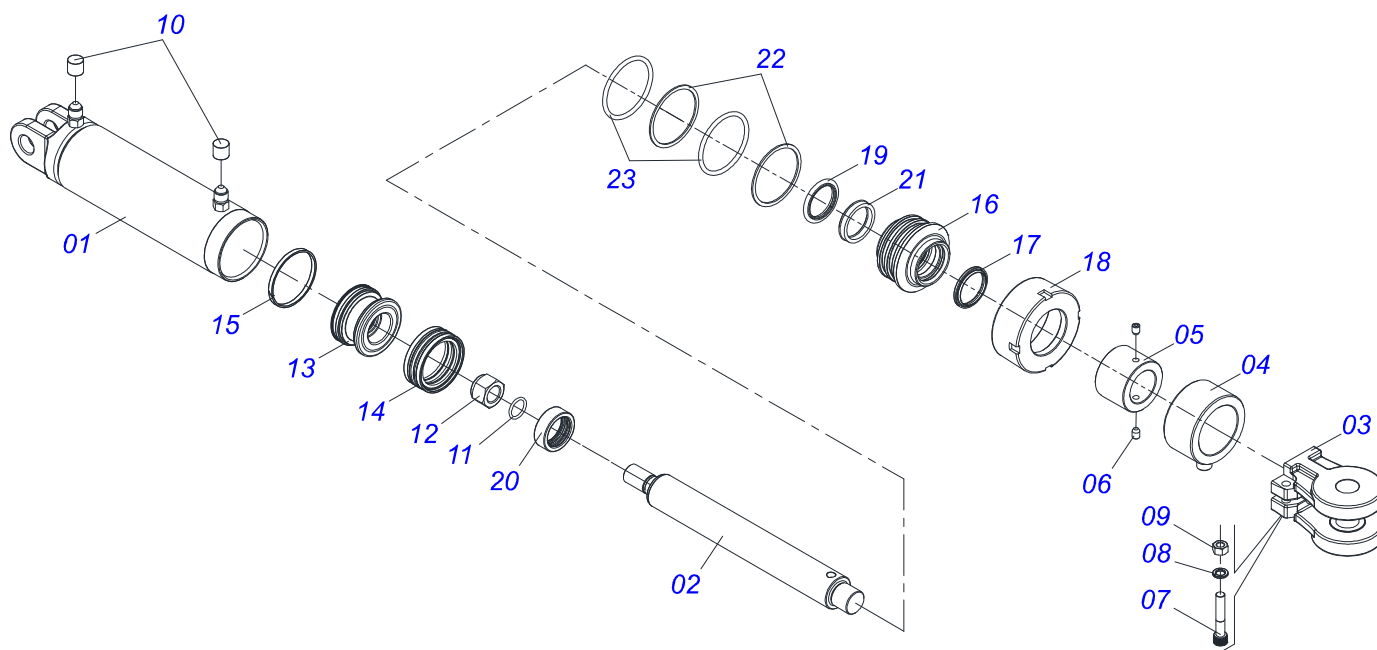
Item	Code	Description	QT
01	0511067120	COVER FRONT WHEEL SUPPORT	01
02	0503012951	3/4" X 10-1/2" BOLT	01
03	0503010023	SPRING WASHER	01
04	0503010014	3/4" NUT	01
05	0501053885	ARM REAR WHELL	01
05A	0511063509	14" X 8" WHELL	01
05B	0503010014	3/4" NUT	01
05C	0503010023	SPRING WASHER	01
05D	0511014254	DUST CLOAK	02
05E	0503010268	00262-B SEAL	02
05F	0503010269	6204 BALL BEARING	04
05G	0521010487	SPACER WASHER	02
05H	0551011854	REAR CARRYING WHEELS AXLE	01
05I	0531014502	0.9" X 1.1" X 6.3" SLEEVE	01
05J	0503010002	GRAXEIRA 1800	01
06	0541018559	REAR WHELL CONTROL AXLE	01
07	0503030012	HAIR PIN	01



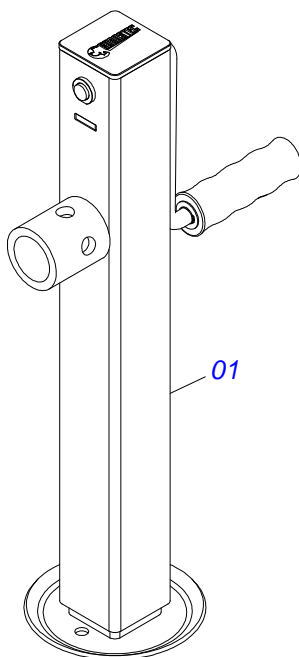
Item	Code	Description	QT
01	0521061648	COVER FRONT WHEEL SUPPORT	01
02	0503012951	3/4" X 10-1/2" BOLT	01
03	0503010023	SPRING WASHER	01
04	0503010014	3/4" NUT	01
05	0501053885	ARM REAR WHELL	01
05A	0511063509	14" X 8" WHELL	01
05B	0531014502	0.9" X 1.1" X 6.3" SLEEVE	01
05C	0503010269	6204 BALL BEARING	04
05D	0521010487	SPACER WASHER	02
05E	0503010268	00262-B SEAL	02
05F	0511014254	DUST CLOAK	02
05G	0551011854	REAR CARRYING WHEELS AXLE	01
05H	0503010023	SPRING WASHER	01
05I	0503010014	3/4" NUT	01
05J	0503010002	GRAXEIRA 1800	01
06	0541018559	REAR WHELL CONTROL AXLE	01
07	0503030012	HAIR PIN	01



Item	Code	Description	QT
01	0503011627	QUICK CONNECTION (MALE) AGR 1/2 NPT	01
02	0503011882	QUICK CONNECTION COVER	01

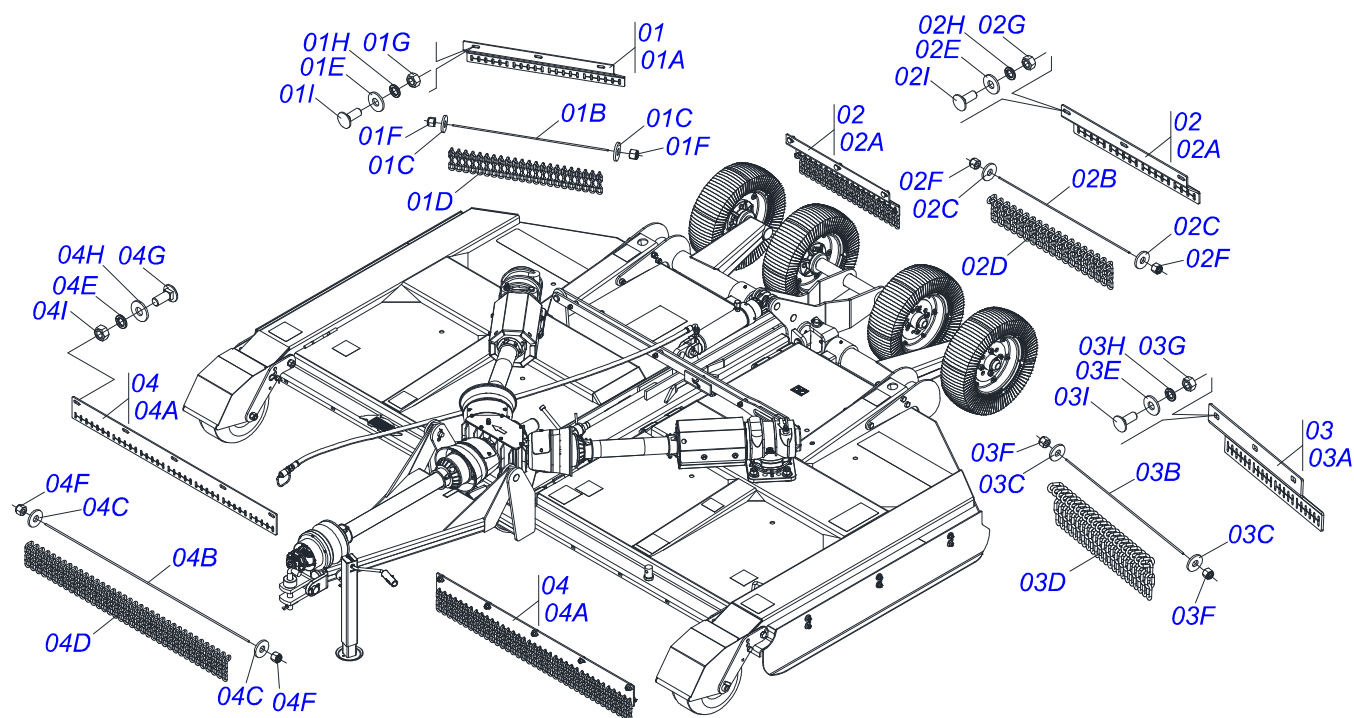


Item	Code	Description	QT
01	0501064255	2.4" X 8" CYLINDER CASE	01
02	0521014292	1.7" X 15" TURNBUCLE WITH HOLES	01
03	0502040493	CLEVIS 26,50 R41	01
04	0511060370	CARRY-W REG OUTER BODY ASSY	01
05	0521014003	REG INNER BODY OF THE CARRY-WHEEL	01
06	0503011148	3/8" X 1/2" BOLT	02
07	0503011094	3/8" X 2" BOLT C C S I 12.9	01
08	0503010025	3/8 SPRING WASHER	01
09	0503010026	3/8" NUT	01
10	0503030385	PLUG	02
11	0503010042	2-214 N 3006-9B O'RING	01
12	0503010063	1" SELF-ALIGNING NUT	01
13	0571019710	1.7" X 3.4" PISTON	01
14	0503017935	RING	01
15	0503018144	RING	01
16	0571019711	RING SUPPORT	01
17	0503010761	D-1750 SCRAPER RING	01
18	0571019709	DETACHABLE COVER	01
19	0503017936	RING	01
20	0503017938	RING GUIDE	01
21	0503017937	GASKET	01
22	0503017940	8-337 BACK-UP RING	02
23	0503017939	2-337 N 3006-9B O' RING	02
24	0501031796	HYDRAULIC CYLINDER REPAIR KIT	



Item	Code	Description
01	0503062157	HEADER JACK

CURRENT PROTECTION



Item	Code	Description	QT
01	0511059895	RIGHT REAR CURRENT PROTECTION (806)	01
01A	0581013000	BODY PROTECTION RIGHT REAR CURRENT	01
01B	0581012999	CURRENT PROTECTION BAR	01
01C	0501010984	FLAT WASHER	02
01D	0511011774	8,00 CHAIN 4 LINK	22
01E	0511017302	5FLAT WASHER	03
01F	0503013759	NUT	02
01G	0503012682	1/2" WW ZIN 1K02172 NUT	03
01H	0503010019	1/2" SPRING WASHER	03
01I	0501011600	1/2" X 1-1/4" BOLT	03
02	0511059893	CURRENT PROTECTION (700)	01
02A	0581012996	CURRENT PROTECTION BODY 760	01
02B	0581012997	CURRENT PROTECTION BAR 690	01
02C	0501010984	FLAT WASHER	02
02D	0511011774	8,00 CHAIN 4 LINK	19
02E	0511017302	5FLAT WASHER	03
02F	0503013759	NUT	02
02G	0503012682	1/2" WW ZIN 1K02172 NUT	03
02H	0503010019	1/2" SPRING WASHER	03
02I	0501011600	1/2" X 1-1/4" BOLT	03
03	0511059894	PROTECTION CHAIN REAR LEFT	01
03A	0581012998	BODY PROTECTION LEFT REAR CURRENT (806)	01
03B	0581012999	CURRENT PROTECTION BAR	01
03C	0501010984	FLAT WASHER	02
03D	0511011774	8,00 CHAIN 4 LINK	22
03E	0511017302	5FLAT WASHER	03
03F	0503013759	NUT	02
03G	0503012682	1/2" WW ZIN 1K02172 NUT	03
03H	0503010019	1/2" SPRING WASHER	03
03I	0501011600	1/2" X 1-1/4" BOLT	03
04	0511059892	FRONT CURRENT PROTECTION (1340)	01
04A	0581012995	BODY PROTECTION LEFT FRONT CURRENT (1340)	01
04B	0581011785	CURRENT PROTECTION BAR (1398)	01



CURRENT PROTECTION

0909092282

Item	Code	Description	QT
04C	0501010984	FLAT WASHER	02
04D	0511011774	8,00 CHAIN 4 LINK	37
04E	0503010019	1/2" SPRING WASHER	05
04F	0503013759	NUT	02
04G	0501011600	1/2" X 1-1/4" BOLT	05
04H	0511017302	5FLAT WASHER	05
04I	0503012682	1/2" WW ZIN 1K02172 NUT	05



MARCHESAN IMPLEMENTOS E MÁQUINAS AGRÍCOLAS TATU S.A.

AV. Marchesan, 1979 - Post office box, 131 - CEP 15994-900 - Matão - SP - Brazil

Phone +55 16.3382-8282

(FAX Parts) + 55 16.3382. 8297 - (Export) + 55 16.3382.1003

e.mail: tatu@marchesan.com.br www.marchesan.com.br

Drafting and Illustration = GASPARI
e.mail = jgaspari@marchesan.com.br

**ORIGINAL PARTS
TATU**

