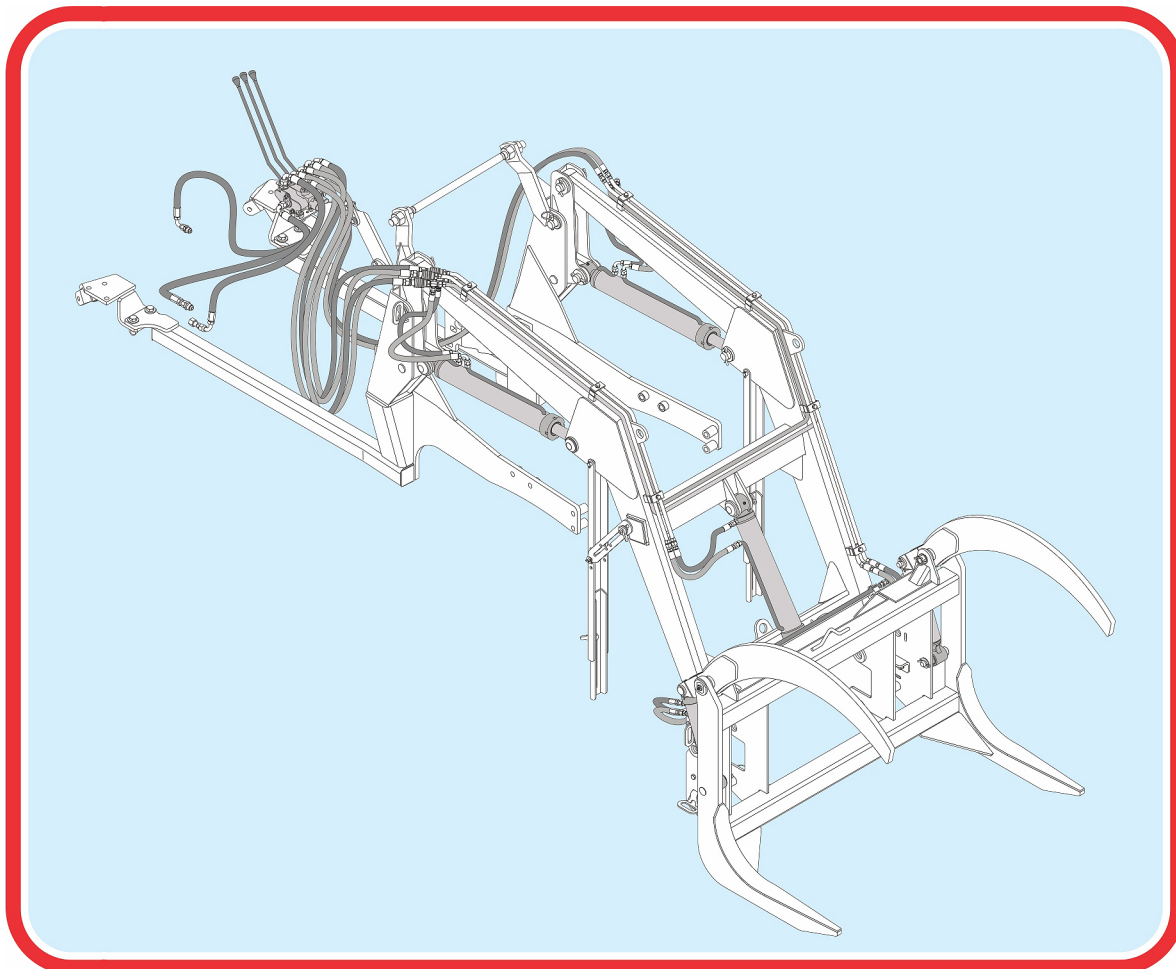


PARTS CATALOG

AGRICULTURAL FRONT LOADER

PCA 600 NH 85E-4 MWM BT CT
GCA

Code: 0501091780



Series: S-1005

Review: ABRIL/2017

ORIGINAL PARTS
TATU



PRODUCTS

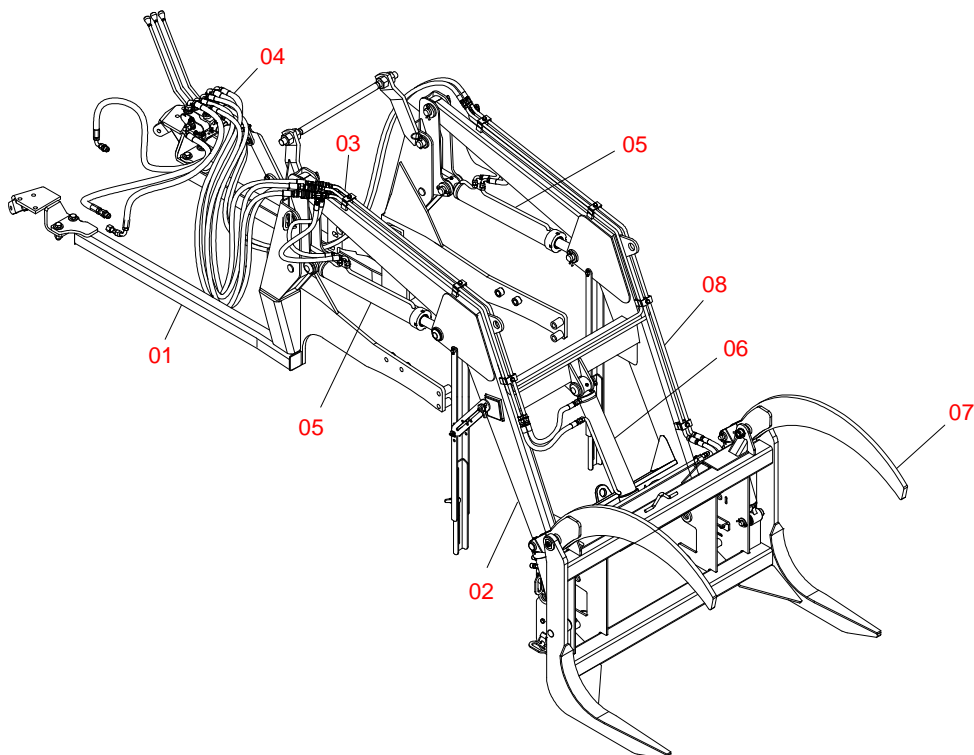
Code	Description
0106111615	PCA 600 NH 85E-4 MWM BT CT GCA

ATTENTION: **IMPORTANT**

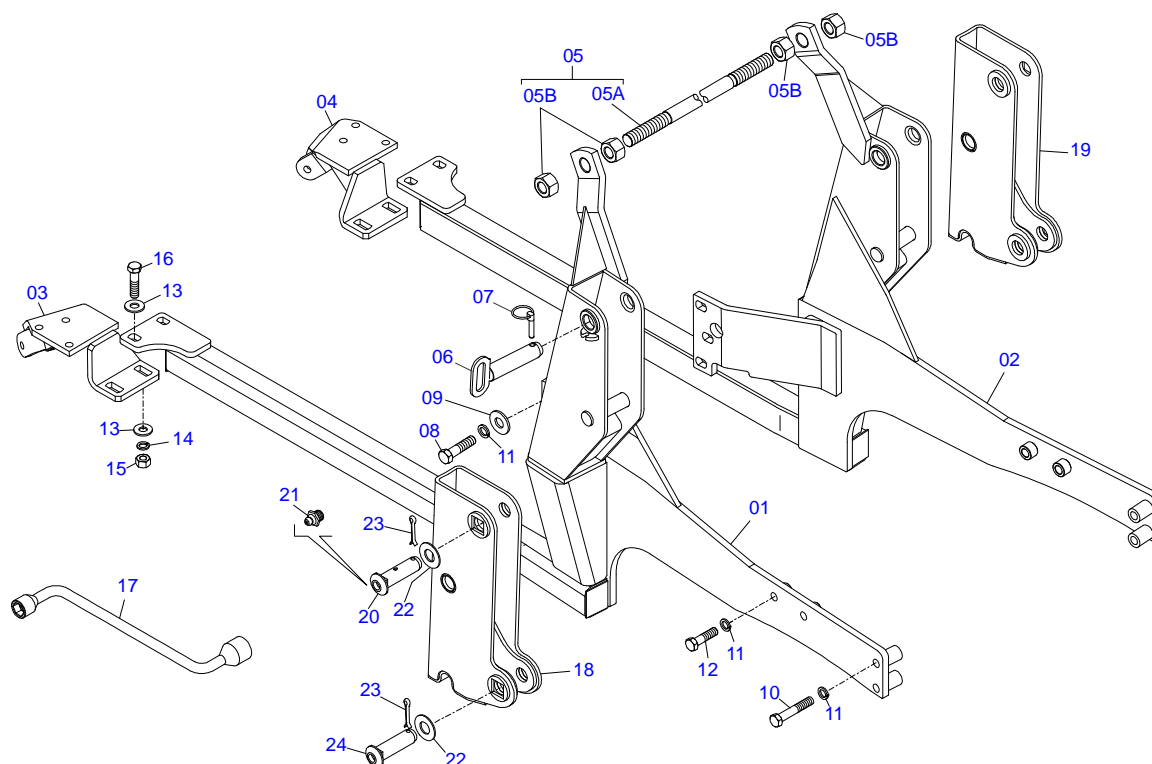
MARCHESAN S/A RESERVES THE RIGHT AT ANY TIME TO MAKE IMPROVEMENTS IN THE DESIGN, MATERIAL OR SPECIFICATIONS OF MACHINERY, EQUIPMENT OR PARTS WITHOUT THEREBY BECOMING LIABLE TO MAKE SIMILAR CHANGES IN MACHINERY, EQUIPMENT OR PARTS PREVIOUSLY SOLD.

INDEX

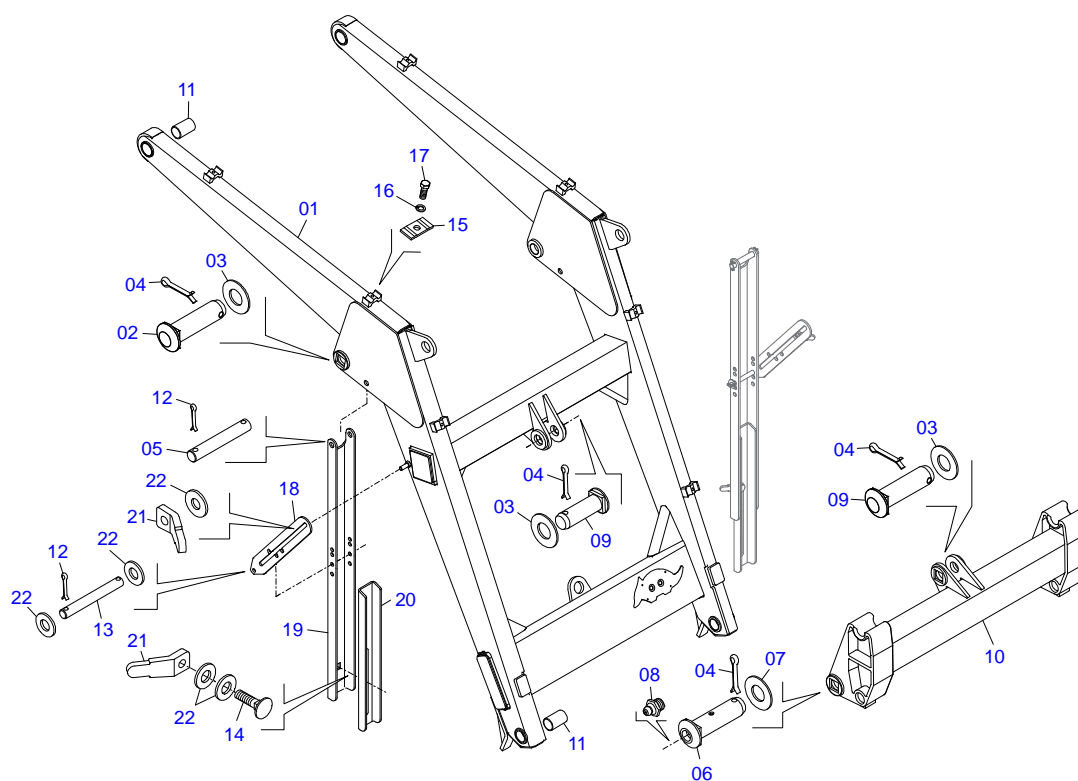
0106111615	PCA 600 NH 85E-4 MWM BT CT GCA	0
0909092397	CHASSI ASSEMBLY PCA 600 NH BT CT	1
0909092383	MOVEL SUPPORT SET PCA 600	2
0909092392	HYDRAULIC CIRCUIT SUPPORT MOVEL PCA 600	3
0909092469	HYDRAULIC CIRCUIT PCA 600 BT CT	4
0511057886	HYDRAULIC CYLINDER	5
0511057887	HYDRAULIC CYLINDER	6
0501059867	PCA S-510 AGRICULTURAL CHARGER FORK	7
0909092470	HYDRAULIC CIRCUIT PCA 600 - GCA	8
0909092468	TRIPLE COMMAND SET 1/2	9
0521045383	TRIPLE COMMAND 1/2 HIDROV/DANFOSS COMPLETE	10
0501047446	CONTROL VALVE (P/COM 1/2 PCA)	11
0511058444	HYDRAULIC CYLINDER	12
0501053834	QUICK CONECTION (MALE) 1/2	13
0501053835	FEMALE QUICK COUPLER	14



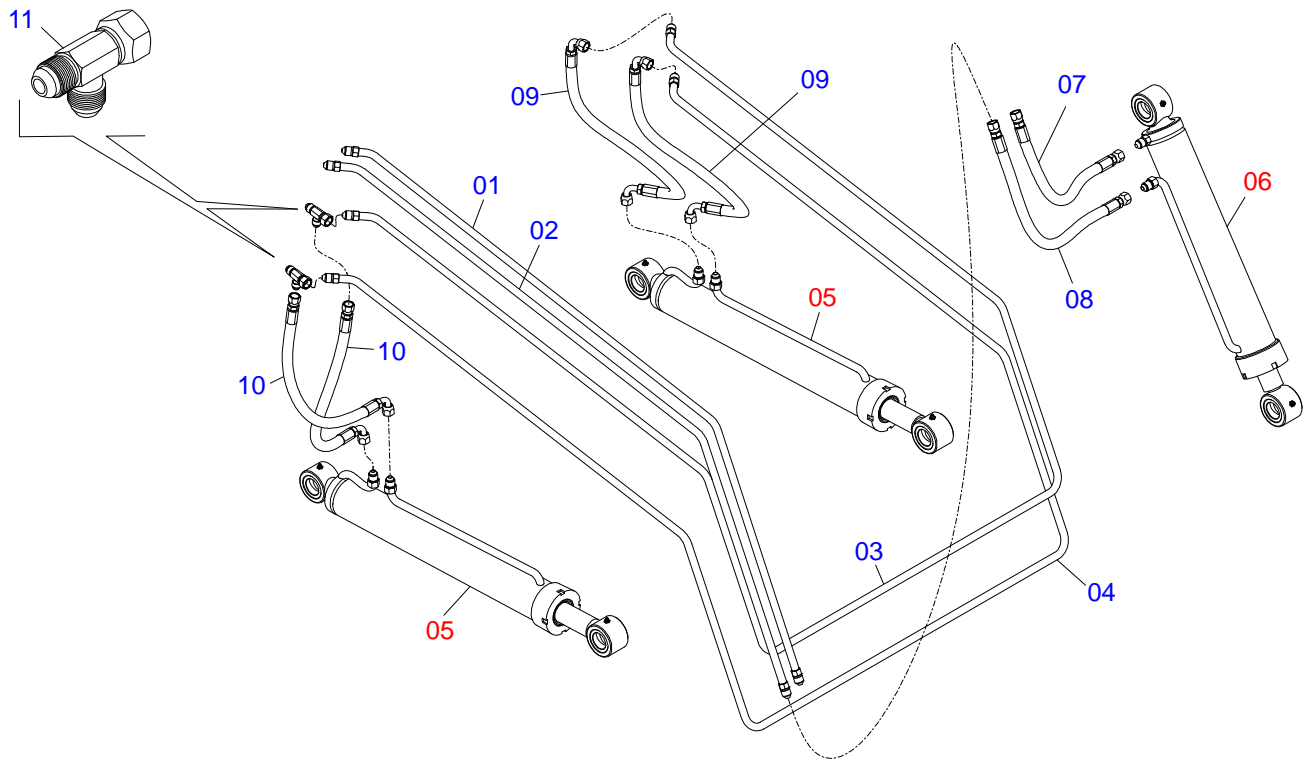
Item	Code	Description	QT
01	0909092397	CHASSI ASSEMBLY PCA 600 NH BT CT	
02	0909092383	MOVEL SUPPORT SET PCA 600	
03	0909092392	HYDRAULIC CIRCUIT SUPPORT MOVEL PCA 600	
04	0909092469	HYDRAULIC CIRCUIT PCA 600 BT CT	
05	0511057886	HYDRAULIC CYLINDER	
06	0511057887	HYDRAULIC CYLINDER	
07	0501059867	PCA S-510 AGRICULTURAL CHARGER FORK	
08	0909092470	HYDRAULIC CIRCUIT PCA 600 - GCA	



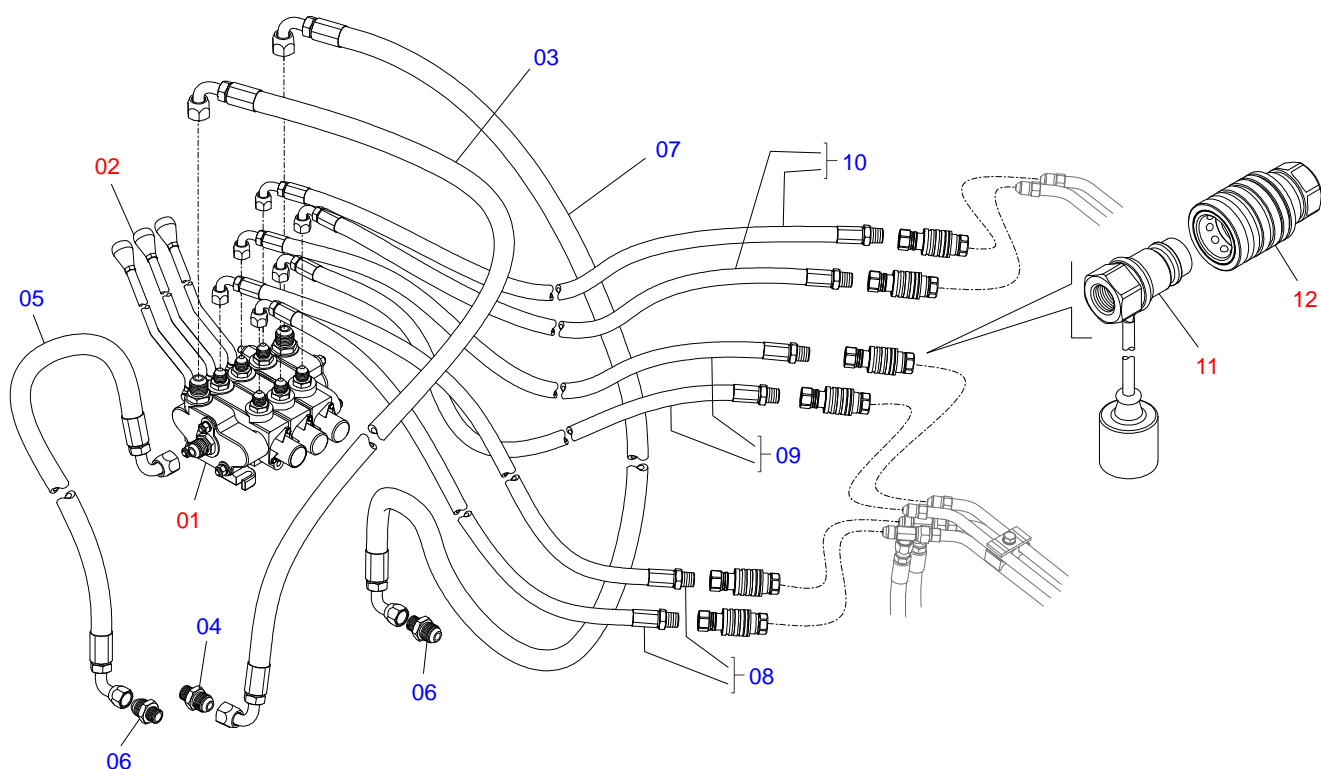
Item	Code	Description	QT
01	0511067213	RIGHT FRAME PCA600 75E-4BT MWM S1005	01
02	0511067215	LEFT FRAME - PCA600 75E-4 MWM S-1005	01
03	0501069121	RH FRAME BRACKET	01
04	0501069122	LH FRAME BRACKET	01
05	0501040954	1.1/4" NC X 760 ROD	01
05A	0501018845	1.1/4" X 33.46" ROD	01
05B	0501810087	NUT - 1.1/4 UNC 7FPP (SEXT.2) SA	04
06	0511064616	1.5" X 6.9" COUPLING SHAFT	02
07	0503030430	7/16 X 2" PIN LOCK	02
08	0503013110	M20 X 2,5 X 50 BOLT	06
09	0501010322	FLAT WASHER	06
10	0503013366	M20 X 2,5 X 110 BOLT	04
11	0503010023	SPRING WASHER	08
12	0503013896	M20 X 2,5 X 85 BOLT	04
13	0501010322	FLAT WASHER	08
14	0503010023	SPRING WASHER	04
15	0503010014	3/4" NUT	04
16	0501010500	3/4"X3"BOLT	04
17	0501068213	5/8" WRENCH DOUBLE	01
18	0511069749	MOBILE TOWER, RIGHT - PCA 600	01
19	0511069750	MOBILE TOWER, LEFT - PCA 600	01
20	0511019519	1.5" X 1.4" PIVOT SHAFT	02
21	0503010002	1800 GREASE FITTING	02
22	0511019685	FLAT WASHER	04
23	0503010534	3/8 X 2-1/2 COTTERPIN	04
24	0521010904	1.5" X 1.4" PIVOT SHAFT	02



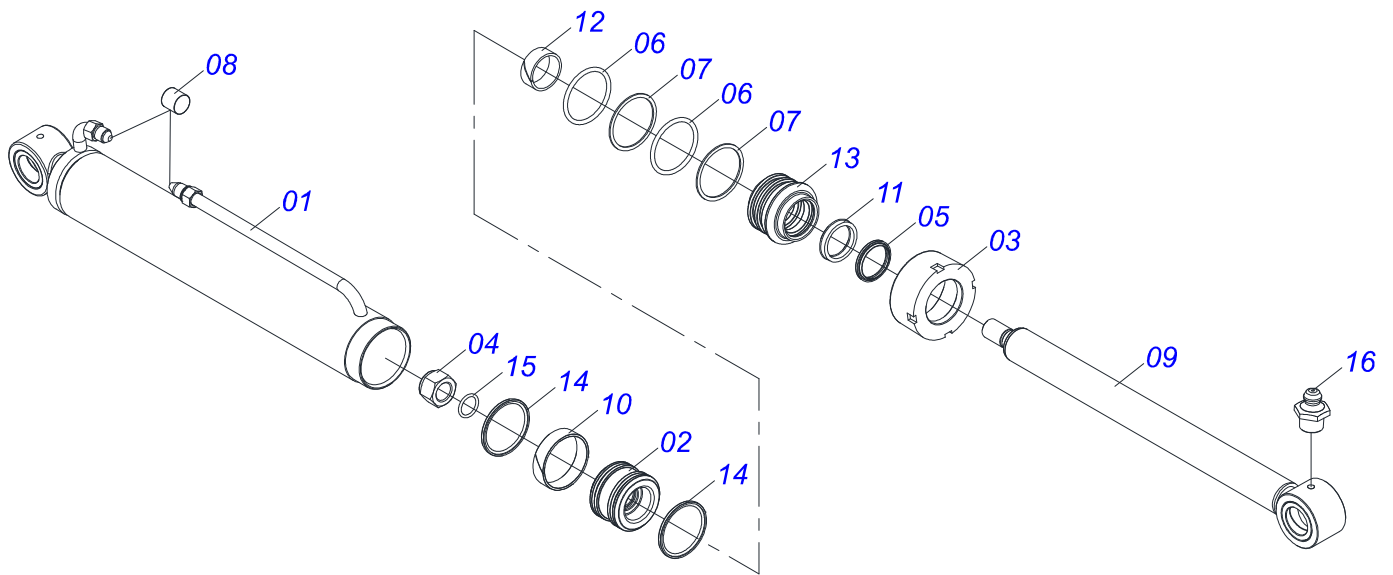
Item	Code	Description	QT
01	0501068663	MOBILE SUPPORT	01
02	0521010904	1.5" X 1.4" PIVOT SHAFT	02
03	0511019685	FLAT WASHER	04
04	0503010534	3/8 X 2-1/2 COTTERPIN	10
05	0511013598	3/4" X 4.7" COUPLING SHAFT	02
06	0511019519	1.5" X 1.4" PIVOT SHAFT	02
07	0501012916	FLAT WASHER 38,50 X 66 X 4,75 ZN	02
08	0503010002	1800 GREASE FITTING	04
09	0511019521	1.5" X 1.4" PIVOT SHAFT	02
10	0501068598	JOINT SUPPORT	01
11	0501110253	BUSHING 37,70 X 55 X 70 PCA	04
12	0503010071	3/16" X 1" COTTERPIN	08
13	0521012823	COUPLING SHAFT	02
14	0503014378	1/2" X 1-1/2" BOLT	02
15	0531011180	UPPER BODY CLIP	05
16	0503010180	7/16" SPRING WASHER	05
17	0503011102	PARAFUSO 7/16 UNC X 1.1/4 C S G.5	03
18	0511019634	CONTROL LOCK	02
19	0561016401	PLOUGH SUPPORT BODY	02
20	0561016619	COMPLEMENTON REST	02
21	0561016329	LATCH HOLDER REST PCA	04
22	0511017302	FLAT WASHER	10



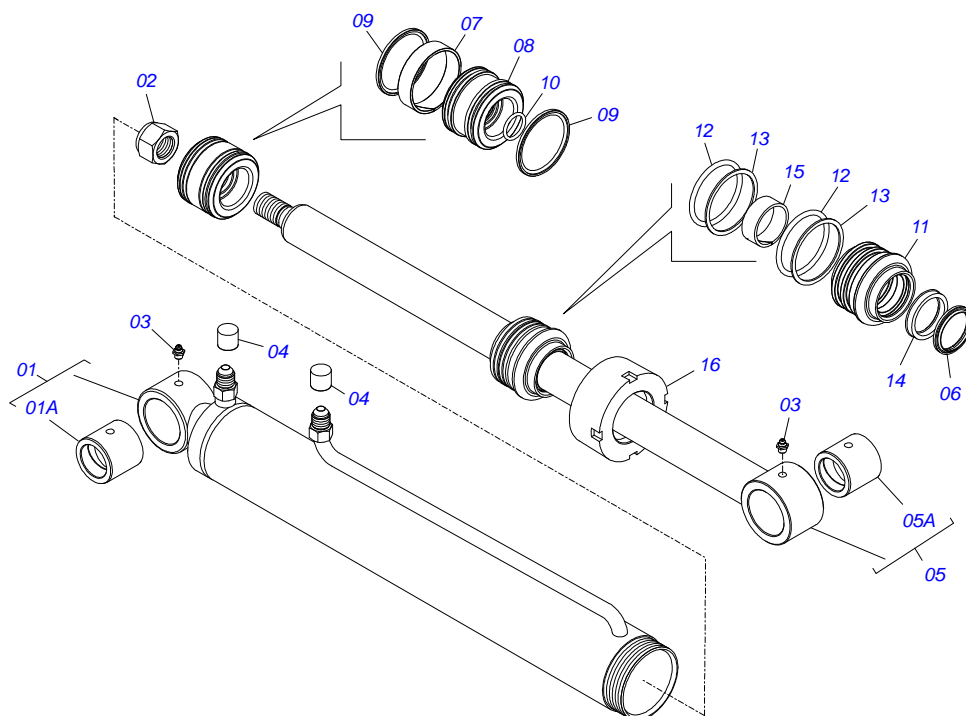
Item	Code	Description	QT
01	0501068615	OIL TUBE ASSY	01
02	0521062856	INTERNAL LOWER OIL DISTRIBUTOR	01
03	0501068621	INNER OIL TUBE	01
04	0501068622	OUTER OIL TUBE	01
05	0511057886	HYDRAULIC CYLINDER	02
06	0511057887	HYDRAULIC CYLINDER	01
07	0501080635	3/8" X 19" TR-TR HOSE	01
08	0501080709	3/8" X 21.6" TR-TR HOSE	01
09	0501080688	3/8" X 25" TC-TC 90G HOSE	02
10	0501080599	3/8 X 650 TC-TR HOSE	02
11	0503011968	T ADAPTOR WITH GIRAT	02



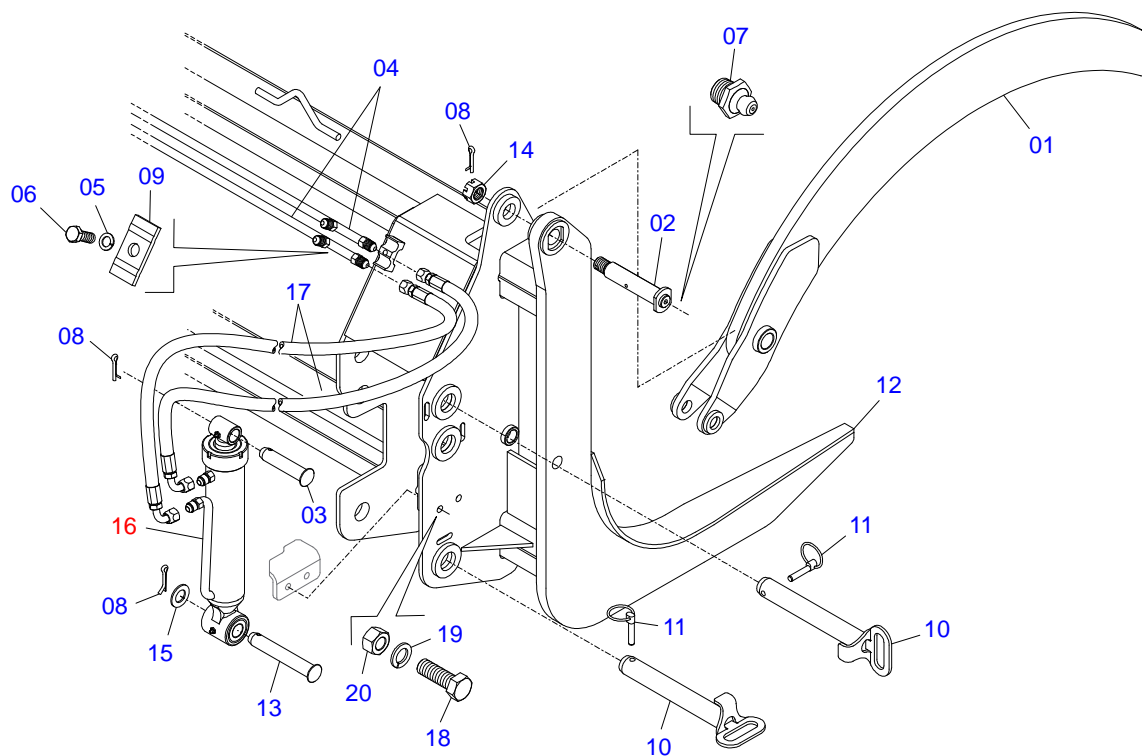
Item	Code	Description	QT
01	0521045383	TRIPLE COMMAND 1/2 HIDROV/DANFOSS	01
02	0501047446	CONTROL VALVE (P/COM 1/2 PCA)	01
03	0501080114	1/2 X 2200 HOSE TC-TC RIGHT	01
04	0541014313	7/8" X 1-1/32 RETURN NIPPLE	01
05	0501080841	1/2 X 2200 HOSE TC-TC 180G	01
06	0521010935	7/8 UNF NIPLE X M22 X 1,5 X 52	02
07	0501081427	1/2 X 3200 HOSE TC-TC	01
08	0501080473	3/8" X 120" TC-TM HOSE	02
09	0501080376	1/2 X 1300 HOSE TC-TM	02
10	0501080796	1/2" X 1400 TC-TM HOSE	02
11	0501053834	QUICK CONECTION (MALE) 1/2	06
12	0501053835	FEMALE QUICK COUPLER	06



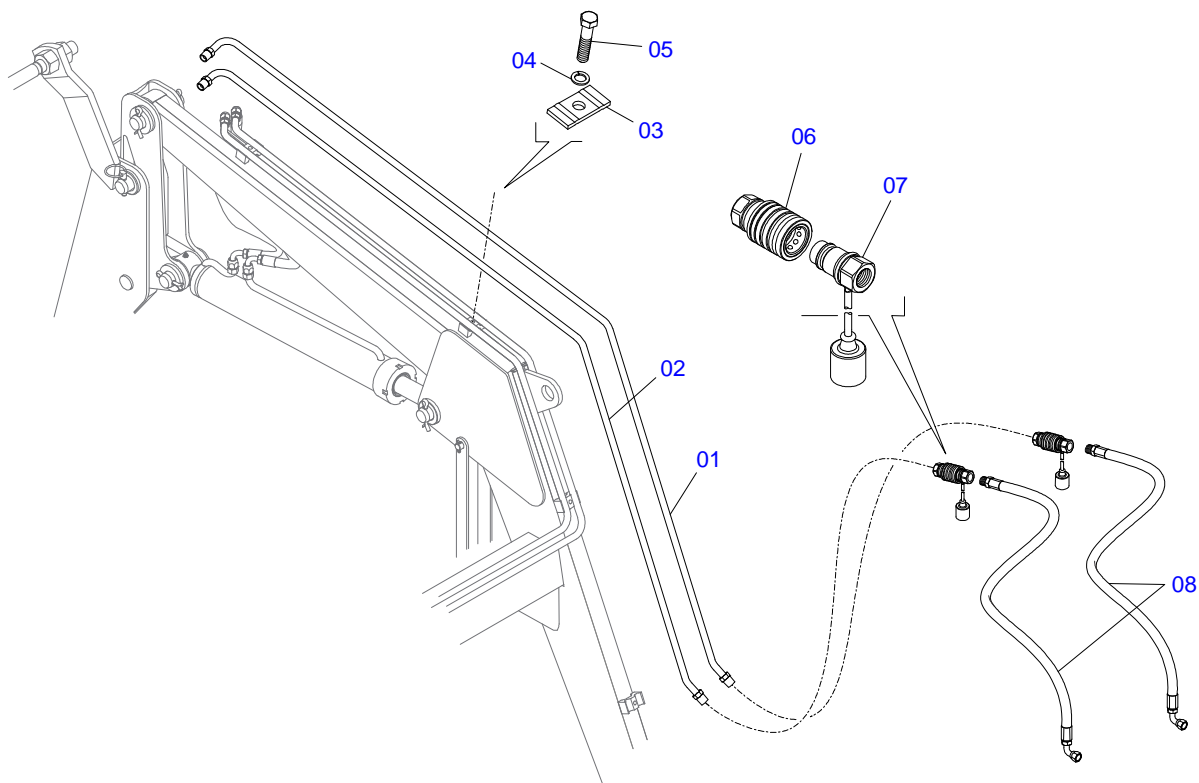
Item	Code	Description	QT
01	0511067373	76,2 X 740 CYLINDER CASE	01
02	0581010301	RING SUPPORT	01
03	0502011899	MOBILE COVER	01
04	0503010063	1" SELF-ALIGNING NUT	01
05	0503010761	D-1750 SCRAPER RING	01
06	0503010343	2-334 N 3006-9B O'RING	02
07	0503011059	8-334 BACK-UP RING	02
08	0503030385	PLUG	02
09	0521066424	AIR TURNBUCKLE	01
10	0503018140	RING GUIDE	01
11	0503017937	GASKET	01
12	0503017938	RING GUIDE	01
13	0581010304	PISTON	01
14	0503018138	RING BS	02
15	0503010042	2-214 N 3006-9B O'RING	01
16	0503010002	1800 GREASE FITTING	02



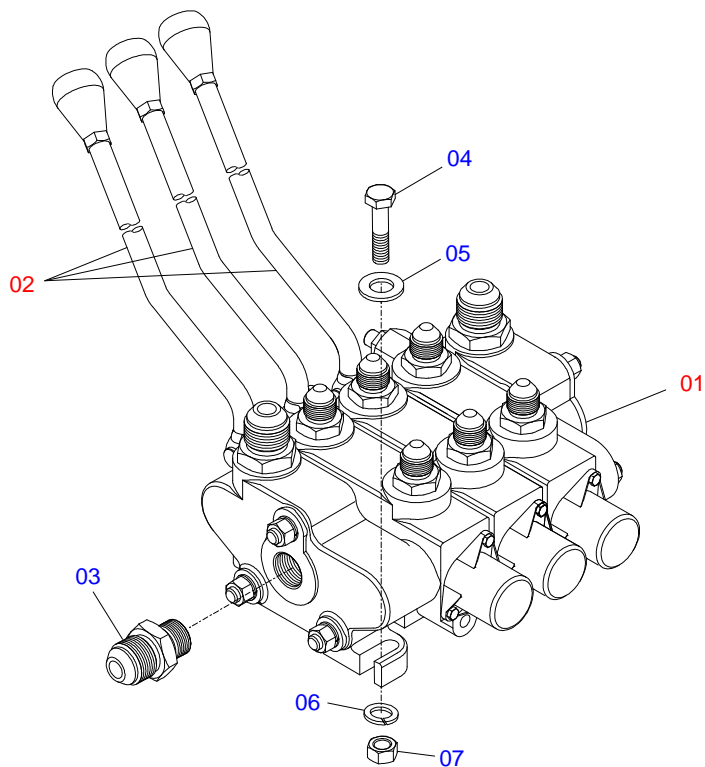
Item	Code	Description	QT
01	0511063212	3" X 23" CYLINDER CASE	01
01A	0521010514	38,1 X 52,9 X 50 SLEEVE INTER	01
02	0503010063	1" SELF-ALIGNING NUT	01
03	0503010002	1800 GREASE FITTING	02
04	0503030385	PLUG	02
05	0521066425	TURNBUCKLE - 44,45 X 605 PCA 600	01
05A	0501110275	BUSHING COUPLING 75 X 38,1 X 50	01
06	0503010761	D-1750 SCRAPER RING	01
07	0503018140	RING GUIDE	01
08	0581010304	PISTON	01
09	0503018138	RING BS	02
10	0503010042	2-214 N 3006-9B O'RING	01
11	0581010301	RING SUPPORT	01
12	0503010343	2-334 N 3006-9B O'RING	02
13	0503011059	8-334 BACK-UP RING	02
14	0503017937	GASKET	01
15	0503017938	RING GUIDE	01
16	0502011899	MOBILE COVER	01



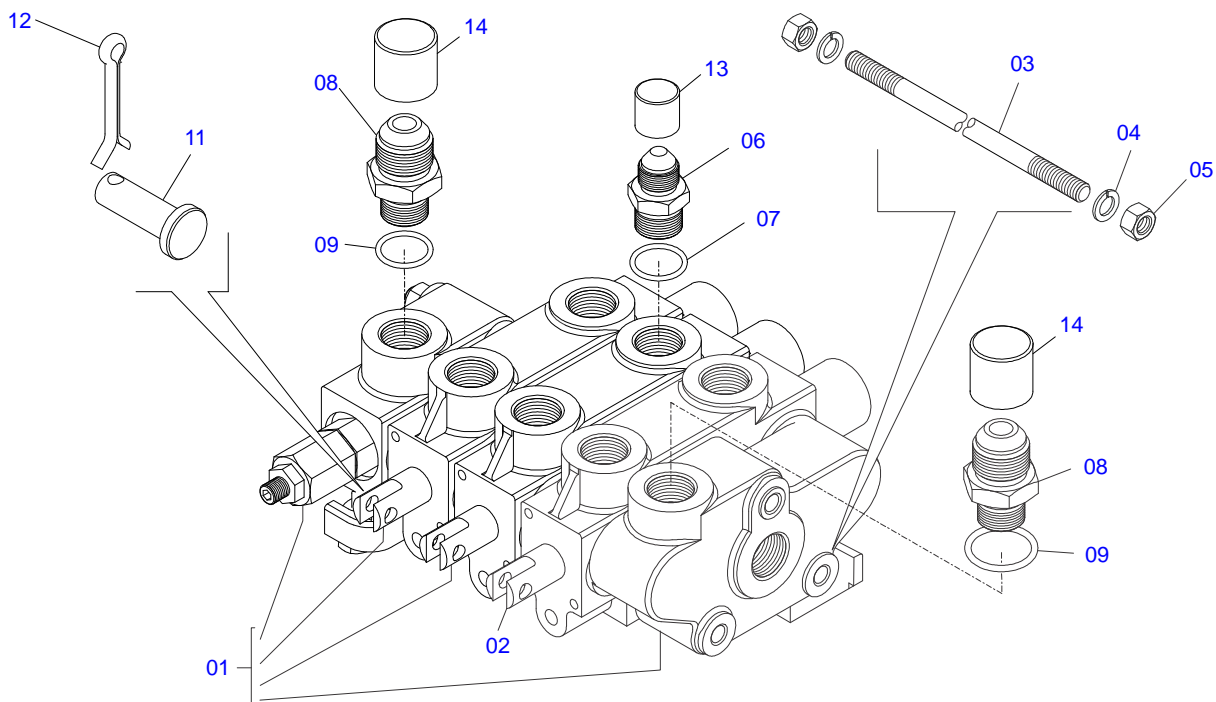
Item	Code	Description	QT
01	0521061520	CLAW MOBILE	02
02	0521061524	PIVOT SHAFT	02
03	0521010579	COUPLING SHAFT	02
04	0521061522	OIL CONDUCTOR	02
05	0503010025	3/8 SPRING WASHER	02
06	0503010237	3/8" X 1" BOLT	02
07	0503010002	1800 GREASE FITTING	02
08	0503010523	1/4" X 2" COTTERPIN	06
09	0531011180	UPPER BODY CLIP	02
10	0511060428	DRAWBOLT	04
11	0503030430	7/16 X 2" PIN LOCK	04
12	0521061521	FIXER CLAW	01
13	0521010784	COUPLING SHAFT	02
14	0503030009	1" CASTLE NUT	02
15	0501011445	FLAT WASHER	04
16	0511058444	HYDRAULIC CYLINDER	02
17	0501080465	3/8 X 400 TR-TC HOSE ASSY	04
18	0503010920	1/2" X 1.1/2" BOLT	04
19	0503010019	1/2" SPRING WASHER	04
20	0503010060	1/2" NUT	04



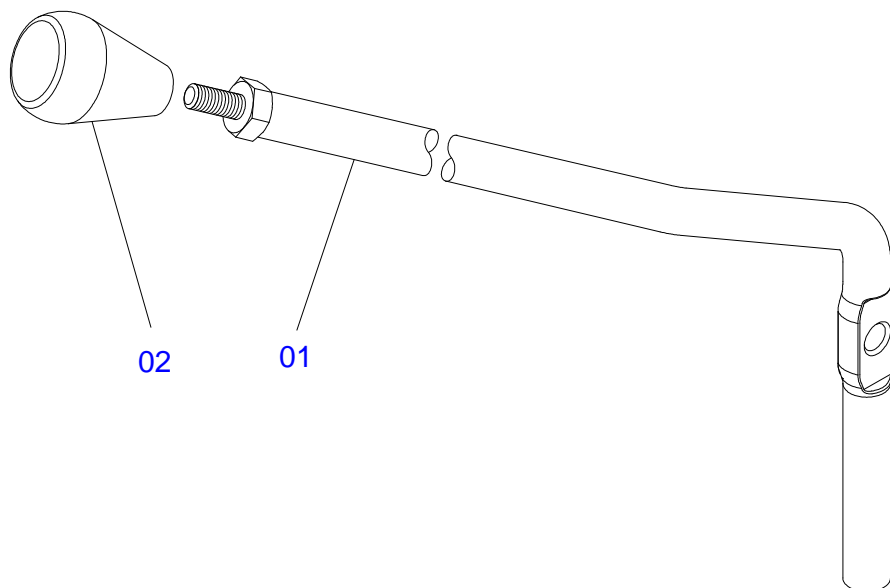
Item	Code	Description	QT
01	0511061634	LEFT OIL TUBE	01
02	0511061635	RIGHT OIL TUBE	01
03	0531011180	UPPER BODY CLIP	04
04	0503010180	7/16" SPRING WASHER	04
05	0503012555	7/16" X 2" BOLT	04
06	0501053835	FEMALE QUICK COUPLER	02
07	0501053834	QUICK CONECTION (MALE) 1/2	02
08	0501080652	3/8" X 78" TC-TM HOSE ASSY	02



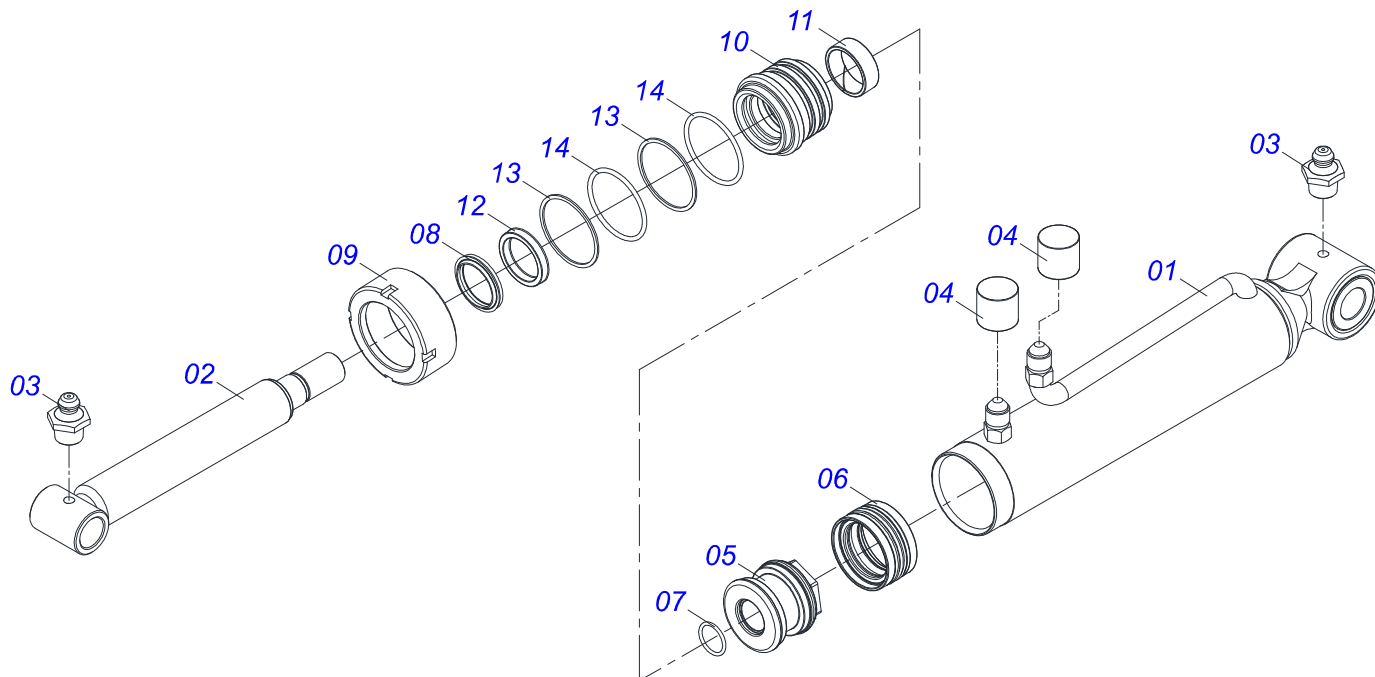
Item	Code	Description	QT
01	0521045383	TRIPLE COMMAND 1/2 HIDROV/DANFOSS	01
02	0501047446	CONTROL VALVE (P/COM 1/2 PCA)	01
03	0511018014	7/8"NF X 1.1/16 UN NIPPLE	01
04	0501010080	3/8" BOLT	03
05	0501010984	FLAT WASHER	03
06	0503010025	3/8 SPRING WASHER	03
07	0503010026	3/8" NUT	03



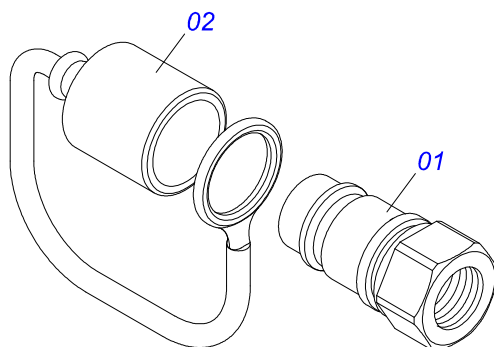
Item	Code	Description	QT
01	0503060016	1/2"DOUBLE COMMAND	01
02	0503010465	BODY CENTRAL 1/2"	01
03	0501016988	3/8" X 3/8" X 10.6" STUD	03
04	0503011443	SPRING WASHER	06
05	0503010026	3/8" NUT	06
06	0501010590	7/8" REDUCTION NIPPLE	06
07	0503010045	2-116 N 3006-9B O'RING	06
08	0511018014	7/8"NF X 1.1/16 UN NIPPLE	02
09	0503011109	2-119 N 3006-9B O'RING	01
10	0503011109	2-119 N 3006-9B O'RING	01
11	0521010533	0.3" X 1" COUPLING SHAFT	03
12	0503010140	1/8" X 3/4" COTTERPIN	03
13	0503030387	PLUG	06
14	0503030388	PLUG N-005	01



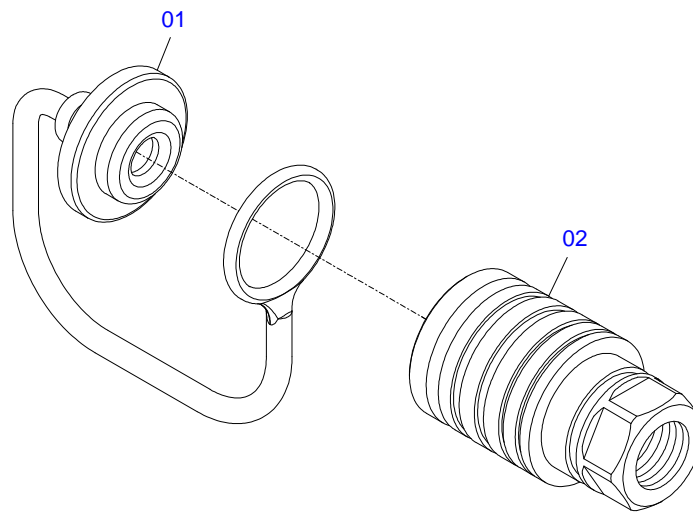
Item	Code	Description	QT
01	0501047446	CONTROL VALVE (P/COM 1/2 PCA)	02
02	0503030878	LEVER CRANK	02



Item	Code	Description	QT
001	0511066155	2.5" X 12.9" CYLINDER CASE	01
002	0521066631	TURNBUCKLE	01
003	0503010002	1800 GREASE FITTING	02
004	0503030385	PLUG	02
005	0502012837	PISTON	01
006	0503018005	RING	01
007	0503011109	2-119 N 3006-9B O'RING	01
008	0503010163	D-1500 SCRAPER RING	01
009	0502010471	MOBILE COVER	01
010	0581010668	RING SUPPORT	01
011	0503018004	RING	01
012	0503018003	GASKET	01
013	0503018163	BACK-UP RING	02
014	0503018162	O'RING	02



Item	Code	Description	QT
01	0503011627	QUICK CONNECTION (MALE) AGR 1/2 NPT	01
02	0503011882	QUICK CONNECTION COVER	01



Item	Code	Description	QT
01	0503011883	QUICK CONNECTION COVER	01
02	0503011628	FEMALE QUICK COUPLER	01



MARCHESAN IMPLEMENTOS E MÁQUINAS AGRÍCOLAS TATU S.A.

AV. Marchesan, 1979 - Post office box, 131 - CEP 15994-900 - Matão - SP - Brazil

Phone +55 16.3382-8282

(FAX Parts) + 55 16.3382. 8297 - (Export) + 55 16.3382.1003

e.mail: tatu@marchesan.com.br www.marchesan.com.br

Technical Publications: Elaboration

JOSÉ DOMINGOS GASPARI

Technical Publications: Revision

JOÃO VIRGINIO ROCHA

Contact Catálogo:

E-mail = jgaspari@marchesan.com.br

**ORIGINAL PARTS
TATU**

