

PARTS CATALOG

AGRICULTURAL FRONT LOADER

**PCA 600 MF 265 A 283 - 4TL BT SC
SL**

Code: 0501091776



Series: S-0503

Review: OUTUBRO/2016

**ORIGINAL PARTS
TATU**



PRODUCTS

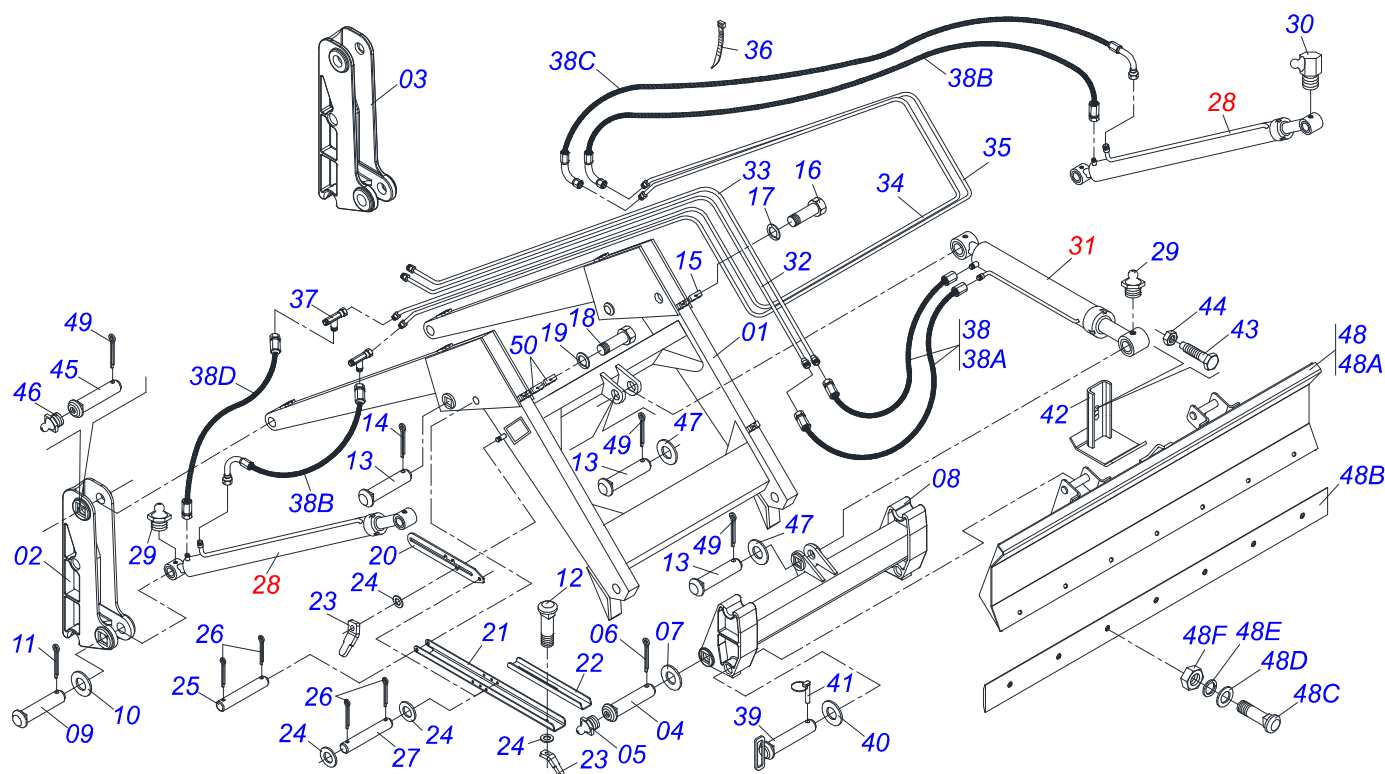
Code	Description
0106111611	PCA 600 MF265A283-4TL AD BT SC SL S503

ATTENTION: **IMPORTANT**

MARCHESAN S/A RESERVES THE RIGHT AT ANY TIME TO MAKE IMPROVEMENTS IN THE DESIGN, MATERIAL OR SPECIFICATIONS OF MACHINERY, EQUIPMENT OR PARTS WITHOUT THEREBY BECOMING LIABLE TO MAKE SIMILAR CHANGES IN MACHINERY, EQUIPMENT OR PARTS PREVIOUSLY SOLD.

INDEX

0909092143	MOBILE SUPPORT FULL BT WITHOUT CONTROL	1
0511057886	HYDRAULIC CYLINDER	2
0511057887	HYDRAULIC CYLINDER	3
0909092144	BT HYDRAULIC CIRCUIT WITHOUT COMMAND	4
0501053834	MACHO ENGATE RAPIDO AGR 1/2 C/TAMPA	5

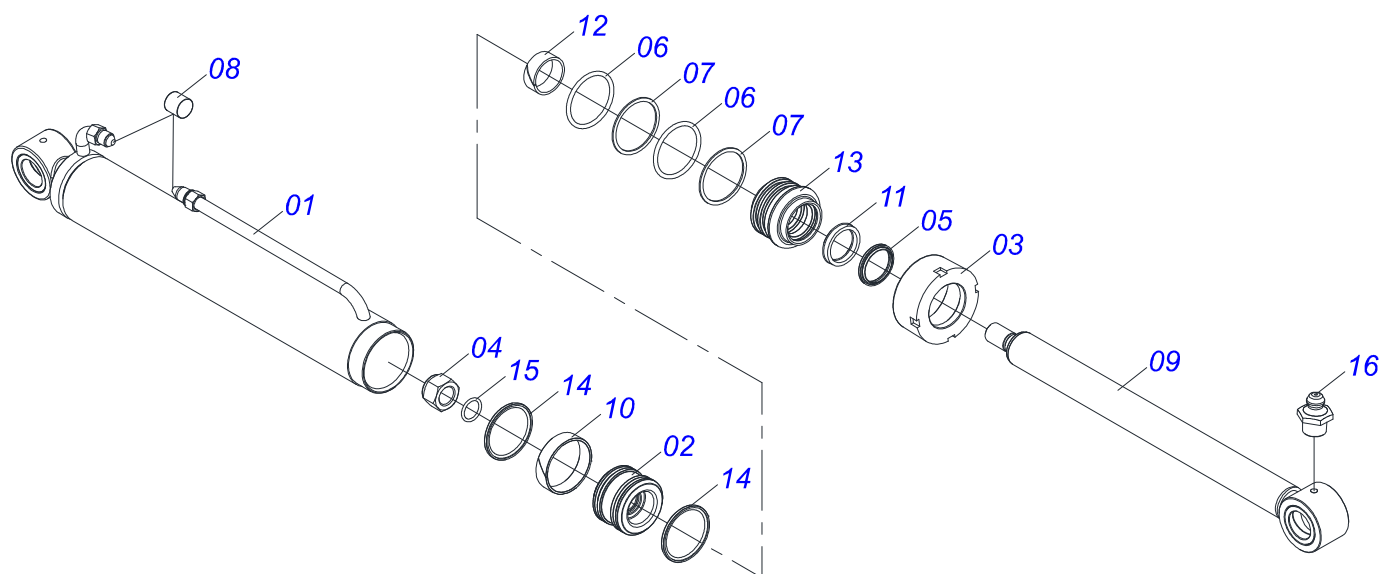


Item	Code	Description	QT
01	0501068663	MOBILE SUPPORT	01
02	0502012382	RIGHT MOBILE TOWER	01
03	0502012381	LEFT MOBILE TOWER	01
04	0511019519	1.5" X 1.4" PIVOT SHAFT	02
05	0503010002	GRAXEIRA 1800	02
06	0503010534	3/8 X 2-1/2 COTTERPIN	02
07	0511019685	FLAT WASHER	02
08	0501068598	JOINT SUPPORT	01
09	0521010904	1.5" X 1.4" PIVOT SHAFT	02
10	0511019685	FLAT WASHER	02
11	0503010534	3/8 X 2-1/2 COTTERPIN	02
12	0503014378	1/2" X 1-1/2" BOLT	02
13	0511019521	1.5" X 1.4" PIVOT SHAFT	04
14	0503010534	3/8 X 2-1/2 COTTERPIN	02
15	0531011180	UPPER BODY CLIP	03
16	0503011102	PARAFUSO 7/16 UNC X 1.1/4 C S G.5	03
17	0503010180	ARRUELA PRESSAO 7/16	03
18	0503012555	7/16" X 2" BOLT	03
19	0503010180	ARRUELA PRESSAO 7/16	03
20	0511019634	CONTROL LOCK	02
21	0561016401	PLOUGH SUPPORT BODY	02
22	0561016619	COMPLEMENTON REST	02
23	0561016329	LATCH HOLDER REST PCA	04
24	0511017302	FLAT WASHER	06
25	0511013598	3/4" X 4.7" COUPLING SHAFT	02
26	0503010071	3/16" X 1" COTTERPIN	08
27	0521012823	COUPLING SHAFT	02
28	0511057886	HYDRAULIC CYLINDER	02
29	0503010002	GRAXEIRA 1800	02
30	0503010003	3/8" GREASE FITTING	02
31	0511057887	HYDRAULIC CYLINDER	01
32	0521062856	INTERNAL LOWER OIL DISTRIBUTOR	01
33	0501068615	OIL TUBE ASSY	01

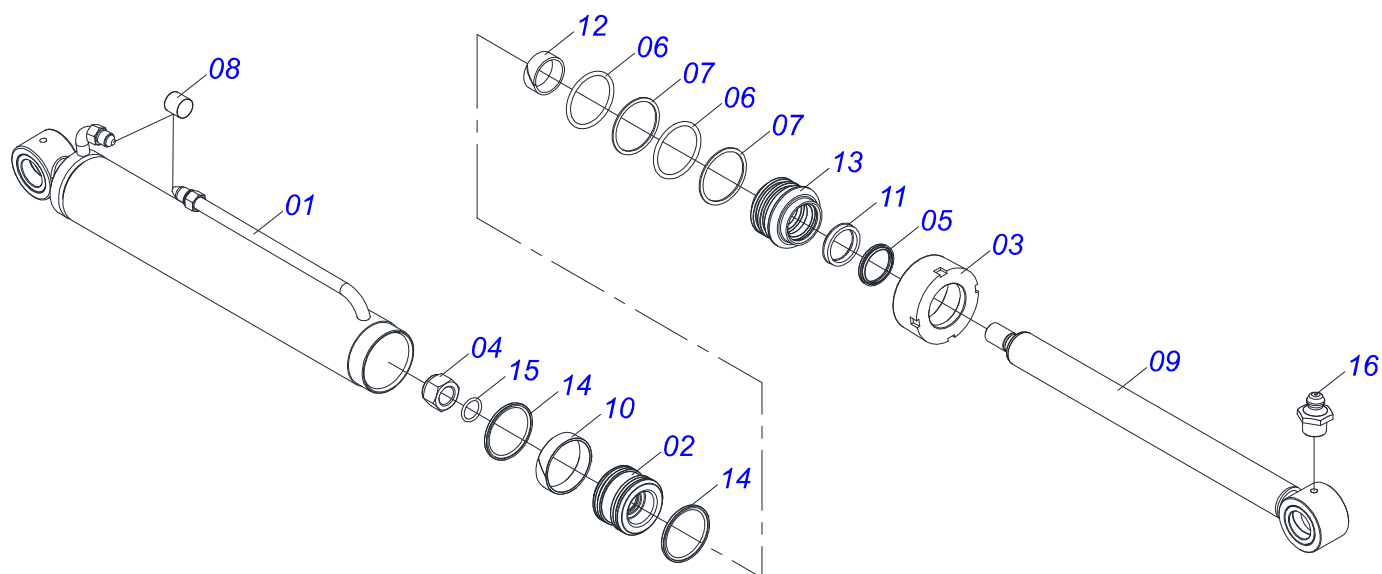
MOBILE SUPPORT FULL BT WITHOUT CONTROL

0909092143

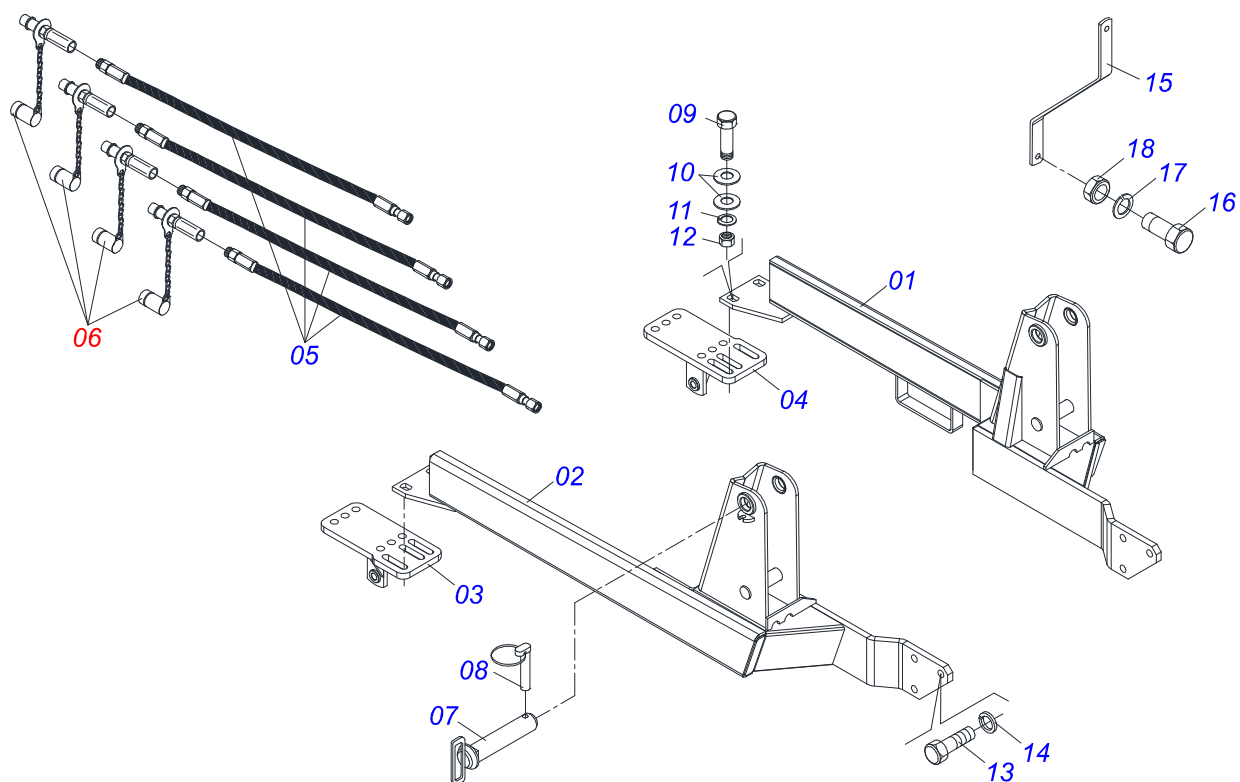
Item	Code	Description	QT
34	0501068621	INNER OIL TUBE	01
35	0501068622	OUTER OIL TUBE	01
36	0503013527	CLAMP ZIPER	04
37	0503011968	"T" ADAPTOR WITH GIRAT NUT 3/8	02
38	0511056897		01
38A	0501080635	3/8" X 19" TR-TR HOSE	02
38B	0501080328	3/8" X 29" TR-TC HOSE	02
38C	0501082005		01
38D	0501080193	HOSE	01
39	0521063680		02
40	0501012916	FLAT WASHER 38,50 X 66 X 4,75 ZN	02
41	0503030430	7/16 X 2" PIN LOCK	04
42	0511064780	SHOE SLIDE LIGHT STABILIZING	02
43	0501018246	3/4" X 3" BOLT	02
44	0503010014	PORCA 3/4 UNC	04
45	0511019519	1.5" X 1.4" PIVOT SHAFT	02
46	0503010002	GRAXEIRA 1800	02
47	0511019685	FLAT WASHER	02
48	0511047849	BLADE FRONT	01
48A	0511064165	BLADE FRONT	01
48B	0531019518	SCRAPER 2220 X 6 X 1/2	01
48C	0501012239	5/8" X 1.3/4" BOLT	07
48D	0571010265	FLAT WASHER	07
48E	0503011445	ARRUELA PRESSAO 5/8	07
48F	0503010013	PORCA 5/8 NC	07
49	0503010534	3/8 X 2-1/2 COTTERPIN	04
50	0502010477	CORPO SUPERIOR PRESILHA	06



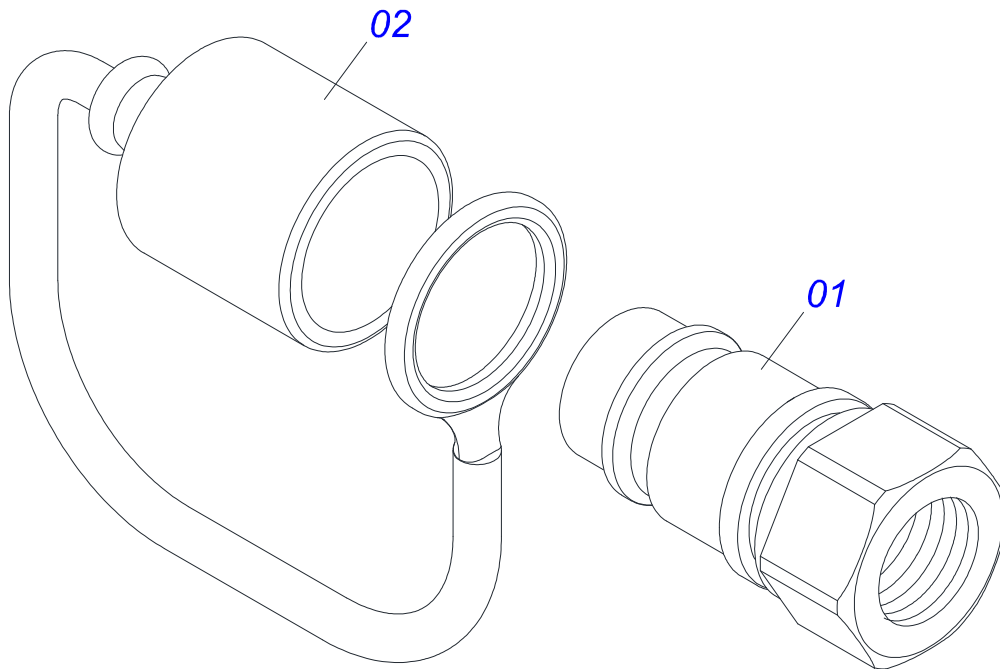
Item	Code	Description	QT
01	0511067373	76,2 X 740 CYLINDER CASE	01
02	0581010301	RING SUPPORT	01
03	0502011899	MOBILE COVER	01
04	0503010063	1" SELF-ALIGNING NUT	01
05	0503010761	D-1750 SCRAPER RING	01
06	0503010343	2-334 N 3006-9B O'RING	02
07	0503011059	8-334 BACK-UP RING	02
08	0503030385	PLUG	02
09	0521066424		01
10	0503018140	RING GUIDE	01
11	0503017937	GASKET	01
12	0503017938	RING GUIDE	01
13	0581010304	PISTON	01
14	0503018138	RING BS	02
15	0503010042	2-214 N 3006-9B O'RING	01
16	0503010002	GRAXEIRA 1800	02



Item	Code	Description	QT
01	0511063212	3" X 23" CYLINDER CASE	01
02	0581010301	RING SUPPORT	01
03	0502011899	MOBILE COVER	01
04	0503010063	1" SELF-ALIGNING NUT	01
05	0503010761	D-1750 SCRAPER RING	01
06	0503010343	2-334 N 3006-9B O-RING	02
07	0503011059	8-334 BACK-UP RING	02
08	0503030385	PLUG	02
09	0521066425		01
10	0503018140	RING GUIDE	01
11	0503017937	GASKET	01
12	0503017938	RING GUIDE	01
13	0581010304	PISTON	01
14	0503018138	RING BS	02
15	0503010042	2-214 N 3006-9B O-RING	01
16	0503010002	GRAXEIRA 1800	02



Item	Code	Description	QT
01	0511060460		01
02	0511060459		01
03	0501064690		01
04	0501064689		01
05	0501081124	HOSE 3/8" X 4200-TM TR	04
06	0501053834	MACHO ENGATE RAPIDO AGR 1/2 C/TAMPA	04
07	0511064616	1.5" X 6.9" COUPLING SHAFT	02
08	0503030430	7/16 X 2" PIN LOCK	04
09	0501010500	3/4"X3"BOLT	04
10	0501010322	ARRUELA LISA 20,50 X 46 X 4,75	04
11	0503010023	3/4" SPRING WASHER	08
12	0503010014	PORCA 3/4 UNC	04
13	0501010098	HEX BOLT 3/4 UNC X 2 C S G.5 ZN	06
14	0503010023	3/4" SPRING WASHER	04
15	0561010051	REDLIGHT SUPPORT PCA MF	02
16	0503010237	BOLT	02
17	0503010025	3/8" SPRING WHASHER	02
18	0503010026	3/8" NUT	02



Item	Code	Description	QT
01	0503011627	QUICK CONNECTION (MALE) AGR 1/2 NPT	01
02	0503011882	QUICK CONNECTION COVER	01

ANNOTATIONS

ORIGINAL PARTS
TATU



MARCHESAN



MARCHESAN IMPLEMENTOS E MÁQUINAS AGRÍCOLAS TATU S.A.

AV. Marchesan, 1979 - Post office box, 131 - CEP 15994-900 - Matão - SP - Brazil

Phone +55 16.3382-8282

(FAX Parts) + 55 16.3382. 8297 - (Export) + 55 16.3382.1003

e.mail: tatu@marchesan.com.br www.marchesan.com.br

*Drafting and Illustration = GASPARI
e.mail = jgaspari@marchesan.com.br*

**ORIGINAL PARTS
TATU**

