

PARTS CATALOGUE

PD - FRONT LOADER

Code:

0501091755

Product:

PD VALTRA A750/A850-4 SHT CD GAL

**Series:**

S-0212

Revision:

00

Date Revision:

SETEMBRO/2016



PRODUCTS

Code	Description
0106020396	PD VTR A750/A850-4 SHTCD GAL S-0212

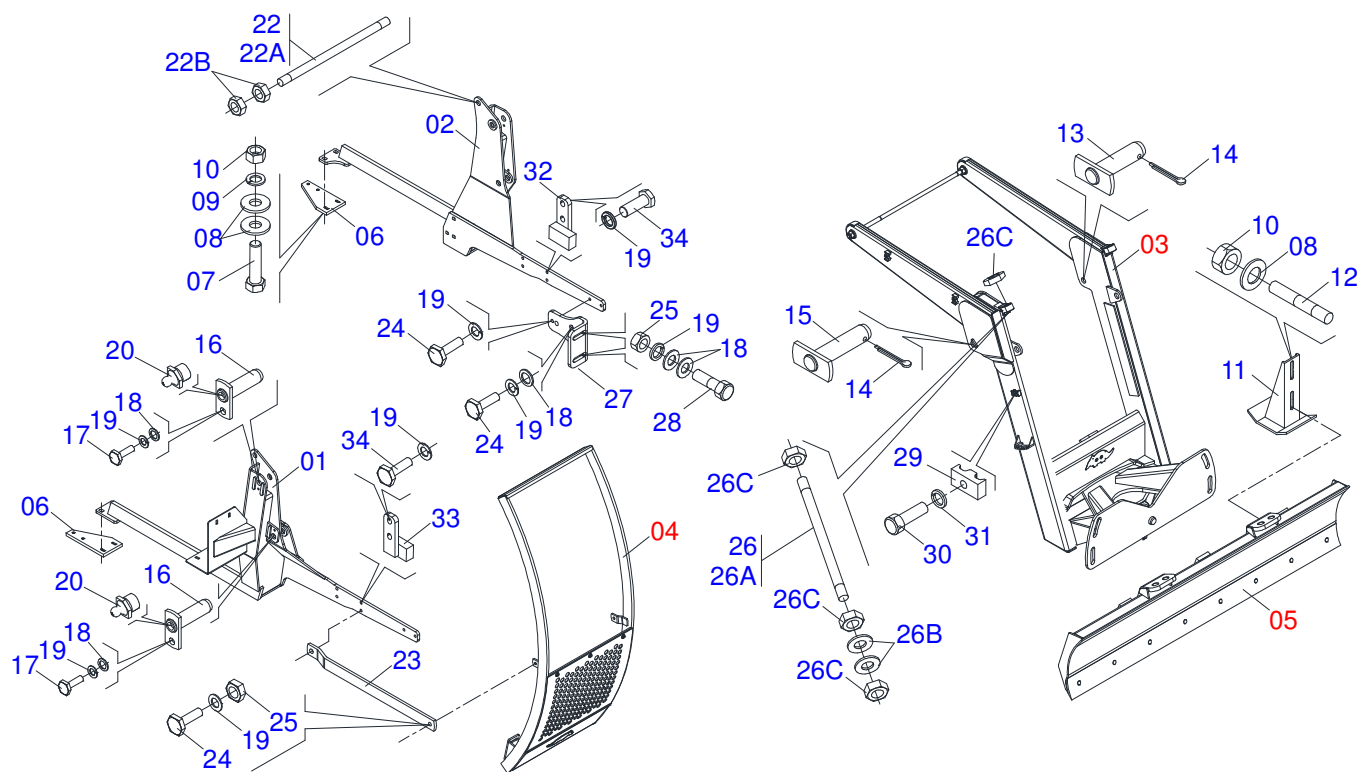
ATTENTION: IMPORTANT

Marchesan S.A. reserves the right to improve and / or modify the technical features of its products, without obligation to do the same with those products already sold and without prior knowledge of the dealer or the consumer.



INDEX

0909092056	FRAME COMPLETE	1
0511049953	MOBILE FULL SUPPORT PD VTR A950	2
0511049956	MOBILE SUPPORT GUIDE ASSY	3
0501047708	2400 BLADE SUPPORT	4
0909092058	HYDRAULIC CIRCUIT - SHT	5
0521040136	DRIVE SHAFT	6
0511058454	HYDRAULIC CYLINDER	7



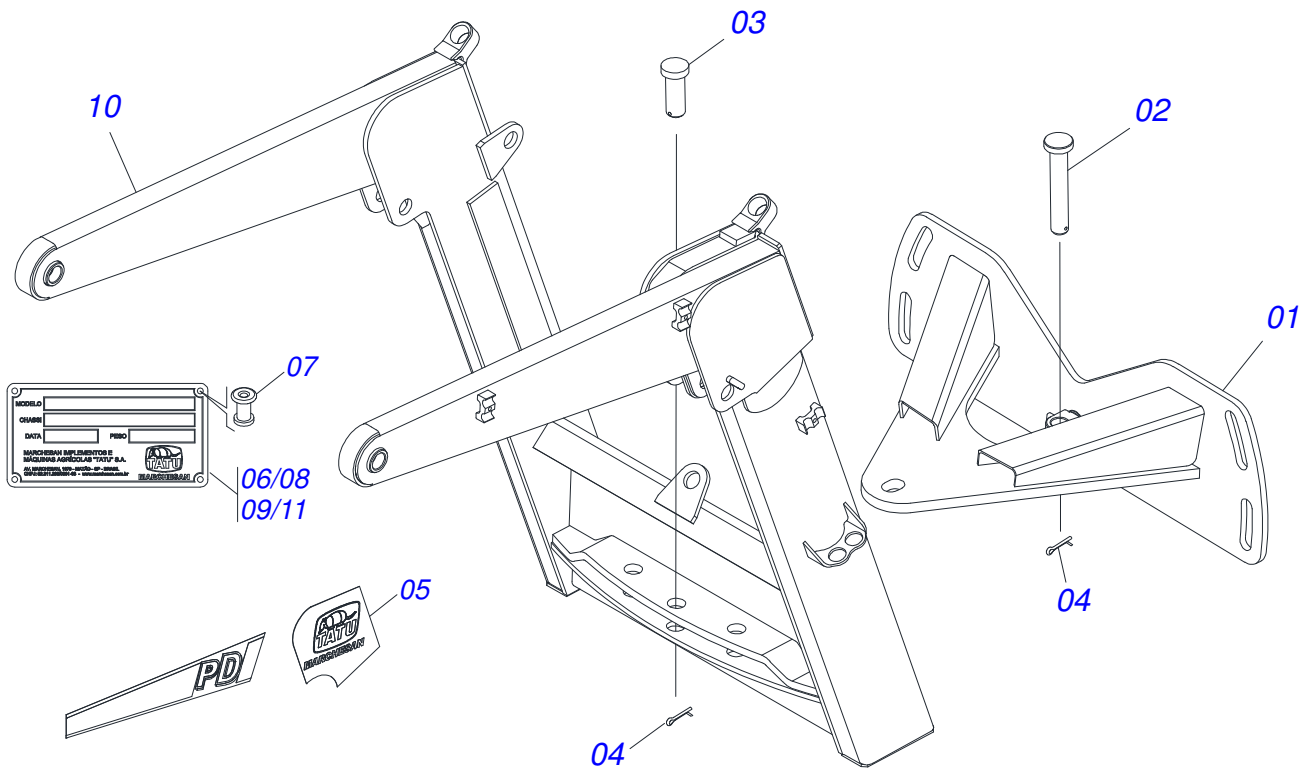
Item	Code	Description	See page	QT
01	0521062802			01
02	0521062803			01
03	0511049953	MOBILE FULL SUPPORT PD VTR A950	2	01
04	0511049956	MOBILE SUPPORT GUIDE ASSY	3	01
05	0501047708	2400 BLADE SUPPORT	4	01
06	0521013656	BRACKET FIXER LEFT/RIGHT		02
07	0501010500	3/4"X3"BOLT		04
08	0501010322	FLAT WASHER		12
09	0503010023	3/4" SPRING WASHER		04
10	0503010014	3/4" NUT		08
11	0501063411	ESTABILIZER BRACKET		02
12	0561016756	3/4 UNC X 3/4 UNC X 56 PRISONER		04
13	0521063354	COUPLING SHAFT		01
14	0503010534	3/8 X 2-1/2 COTTERPIN		02
15	0521063358	37,20 X 161 JOINT AXIS - PD VTR A950		01
16	0501063751	1.5" X 5.5" PIVOT SHAFT		02
17	0503010962	5/8" X 1-1/4" BOLT		06
18	0501012140	FLAT WASHER		24
19	0503010027	5/8" SPRING WASHER		32
20	0503010002	1800 GREASE FITTING		06
21	0501063960	37,2 X 130 PIVOT SHAFT LOCK		02
22	0501043212	ROD 1.1/4" NC X 3.818" ASSY		01
22A	0501014915	ROD 1.1/4" NC X 3.818"		01
22B	0501010087	1.1/4" NUT		04
23	0571010018			02
24	0501010100	SCREW 5/8 UNC X 2 CS G.5 ZN		02
25	0503010013	5/8" NUT		06
26	0501041427	1.1/4" NC X 1540 ROD		02
26A	0501014250	1.1/4" X 1540 ROD		01
26B	0502012180	CONICAL SPRING WASHER		02
26C	0501010087	1.1/4" NUT		04
27	0571010158	FIXER GUIDE MOBILE SUPPORT		02



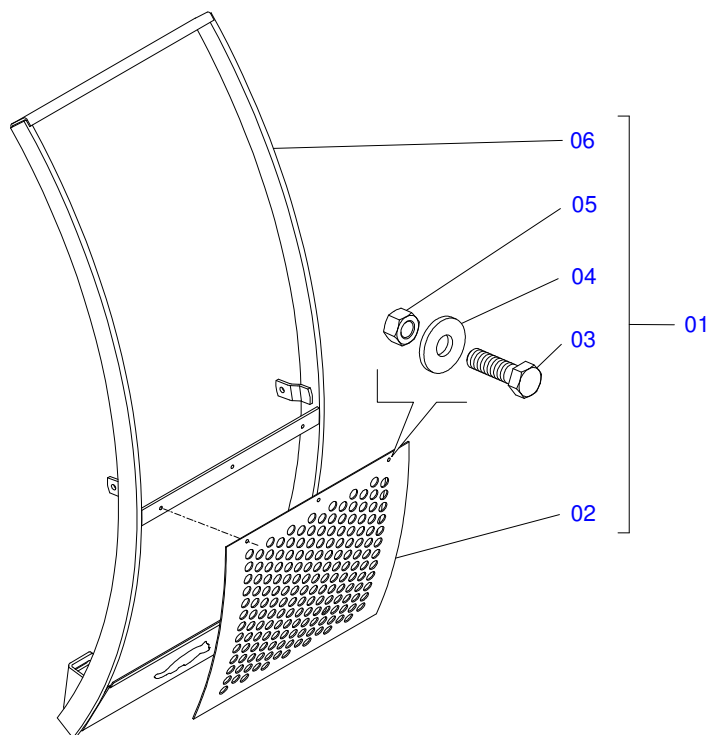
FRAME COMPLETE

0909092056

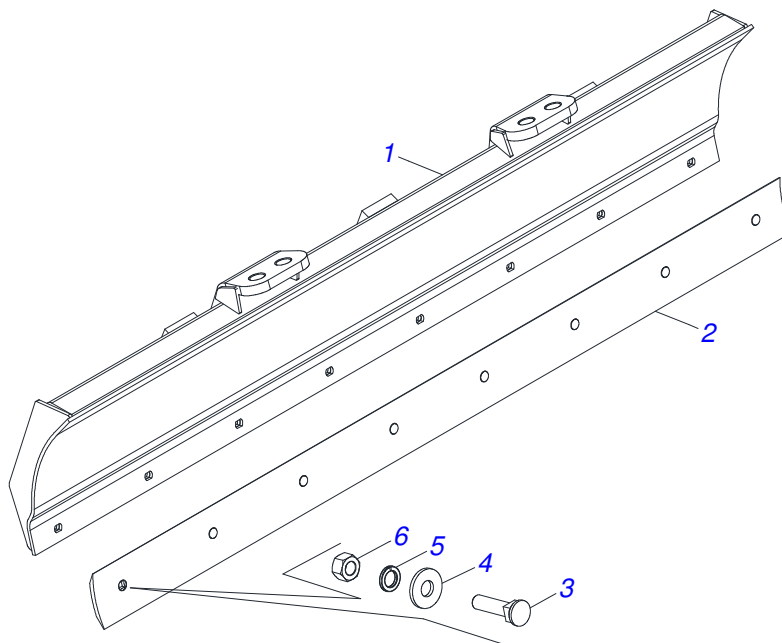
Item	Code	Description	See page	QT
28	0503011067	5/8" X 2-1/2" BOLT		04
29	0502012702	BODY SUPPORT CLAMP		03
30	0503012555	SCREW 7/16 UNC X 2 CS RT G.7 ZN		03
31	0503010180	7/16" SPRING WASHER		03
32	0511065101	RIGHT BEATER		01
33	0511065102	LEFT BEATER		01
34	0503011730	M16 X 2 X 60 BOLT		02



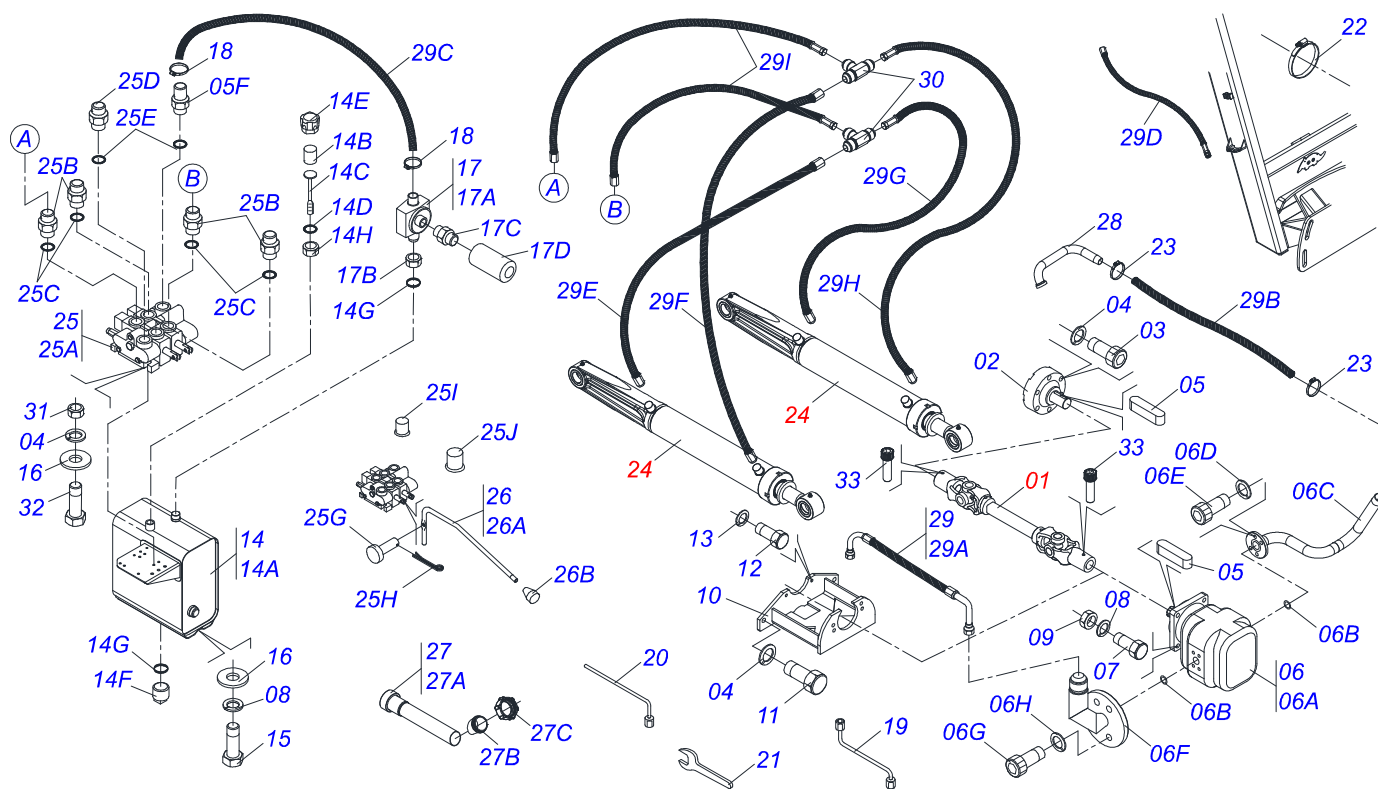
Item	Code	Description	See page	QT
01	0501062637	5/8" REGULATOR SUPPORT		01
02	0521010618	1.4" X 8.6" COUPLING SHAFT		01
03	0521010612	1.4" X 3.5" COUPLING SHAFT		01
04	0503010010	1/4" X 2.1/2" COTTERPIN		02
05	0503062270	SET LABEL ADHESIVE		01
06	0503034003	SERIAL NUMBER TAG 61 X 118		01
07	0503010001	3.2 X 5.5 RIVET		04
08	0503031428	READ MANUAL DECAL		01
09	0503031827	LUBRICATE AND RETIGHTEN DAILY DECAL		01
10	0521062701	MOBILE SUPPORT - PD VTR A950		01
11	0503034078	LIFTING POINTS DECAL		03



Item	Code	Description	See page	QT
01	0511049956	MOBILE SUPPORT GUIDE ASSY	3	01
02	0501017431	FRONT PROTECTION		01
03	0503010751	C3/8" X 1.1/4" HEX BOLT G.5		03
04	0501010984	FLAT WASHER		03
05	0503010026	3/8" NUT		03
06	0521062696	GUIDE SUPPORT MOBILE		01



Item	Code	Description	See page	QT
01	0501067999	2390 BLADE SUPPORT		01
02	0622360016	94.5" SCRAPER REVERSIBLE		01
03	0501012240	5/8" X 2-1/2" BOLT		08
04	0501012140	FLAT WASHER		08
05	0503011445	SPRING WASHER		08
06	0503010013	5/8" NUT		08



Item	Code	Description	See page	QT
01	0521040136	DRIVE SHAFT	6	01
02	0521016647	FLANGE COUPLING		01
03	0503011313	M 8 X 1,25 X 50 BOLT		06
04	0503010025	3/8" SPRING WASHER		08
05	0503031031	1/4" KEYWAY SQUARE		02
06	0521040134	GEAR PUMP ASSY KEYED SHAFT		01
06A	0503062013	H40 PUMP SHAFT 1 CHV		01
06B	0503010173	2-220 N 3006-9B O'RING		02
06C	0501067702	PUMP PRESSURE TUBE		01
06D	0503010180	7/16" SPRING WASHER		04
06E	0503010355	7/16" X 1" BOLT		04
06F	0503010025	3/8" SPRING WASHER		04
06G	0503011087	3/8" X 1" BOLT		04
07	0503010740	BOLT 1/2 UNC X 2 CS G.5 ZN		02
08	0503010019	1/2" SPRING WASHER		08
09	0503010060	1/2" NUT		04
10	0511061456	PUMP SUPPORT		01
11	0503013378	M16 X 2 X 50 BOLT		12
12	0503014746	M10 X 1,5 X 40 BOLT		02
13	0503010180	7/16" SPRING WASHER		03
14	0501047575	OIL RESERVOIR ASSY		01
14A	0501068685	OIL RESERVOIR		01
14B	0503030044	FILTERING ELEMENT		01
14C	0501060975	OIL GAGE		01
14D	0503010185	2-221 N 3006-9B O'RING		01
14E	0502020472	FRONTAL COVER		01
14F	0503031604	1/2" BSP PLUG		01
14G	0501016309	2" 1X 2.5/16" NUT		01
14H	0503010046	2-216 N 3006-9B O'RING		01
15	0501010161	1/2" X 1.1/4" BOLT		06
16	0511017302	FLAT WASHER		06

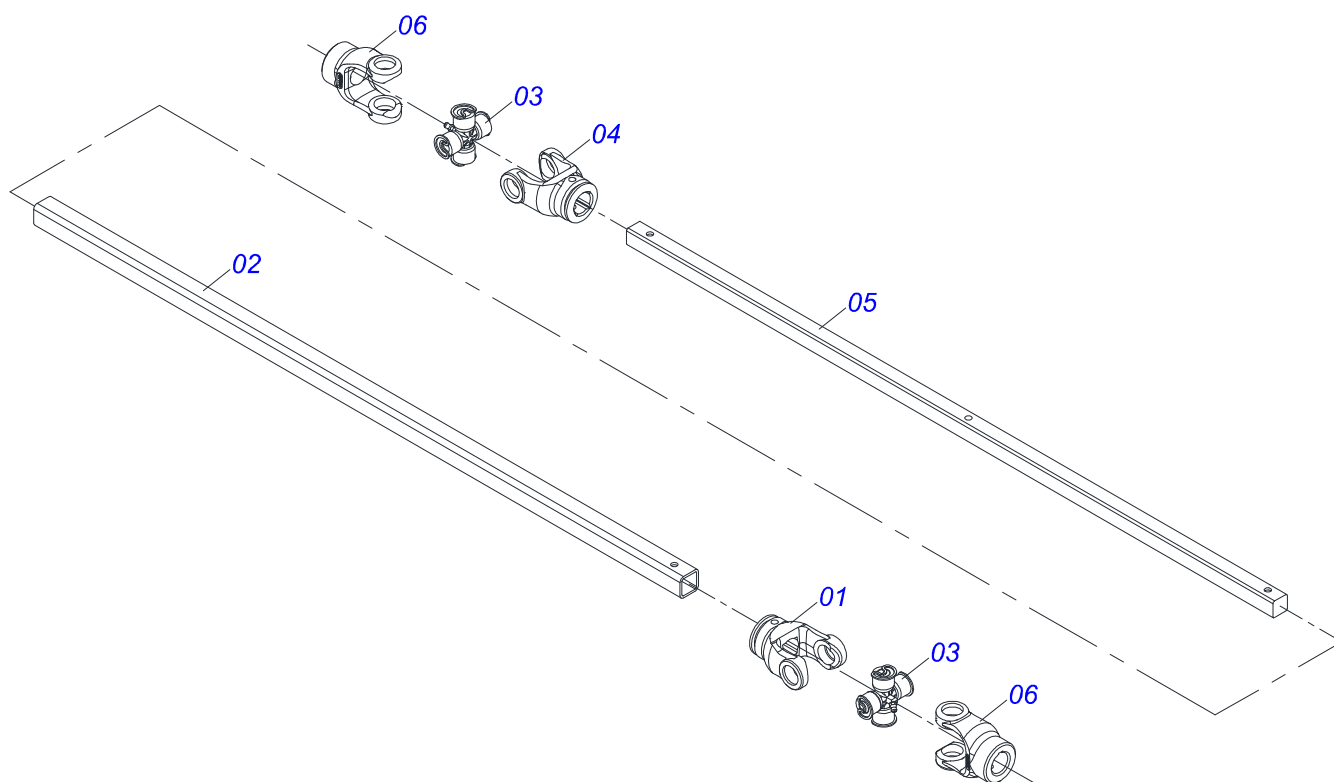


HYDRAULIC CIRCUIT - SHT

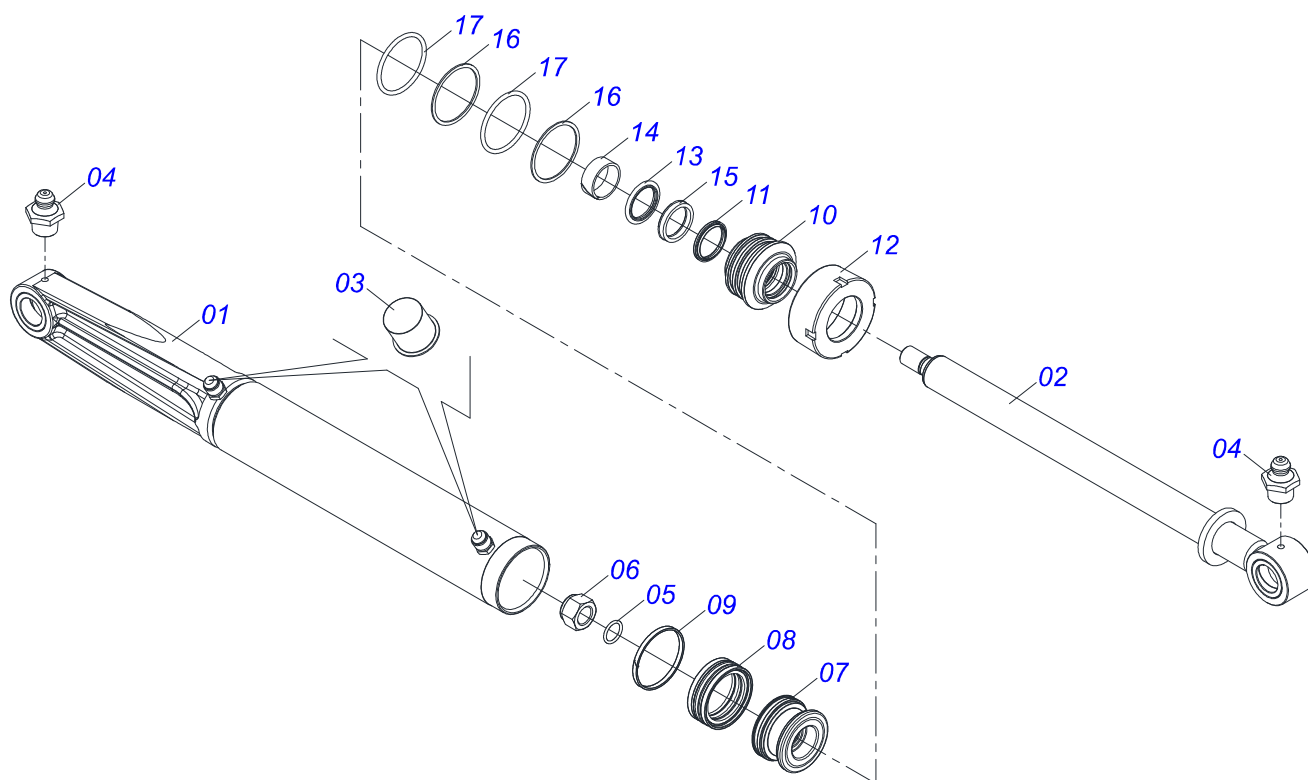
0909092058

Item	Code	Description	See page	QT
17	0501041108	RETURNING FILTER ASSY		01
17A	0502050002	RETURNING FILTER HEAD		01
17B	0501010594	1" NUT		01
17C	0501010595	1" NF NIPPLE		01
17D	0503010183	RETURNING FILTER		01
18	0503010184	CLAMP		02
19	0501068213	5/8" WRENCH DOUBLE		01
20	0501061617	1" GANG BOLT WRENCH		01
21	0511010153	2-5/16" FIXED WRENCH		01
22	0503010246	CLAMP		02
23	0503010243	CLAMP		04
24	0511058454	HYDRAULIC CYLINDER	7	02
25	0501059952	DOBLE COMMAND 1/2 HIDROV/DANFOSS ASSY		01
25A	0503060016	1/2"DOUBLE COMMAND		01
25B	0501010590	7/8" REDUCTION NIPPLE		04
25C	0503010045	2-116 N 3006-9B O'RING		04
25D	0501010589	R. 1.1/16UN SEXT 1.1/4 X 52 NIPPLE		01
25E	0503011109	2-119 N 3006-9B O'RING		02
25F	0501010591	HOSE NIPPLE		01
25G	0521010533	0.3" X 1" COUPLING SHAFT		02
25H	0503010140	1/8" X 3/4" COTTERPIN		02
25I	0503030387	PLUG		04
25J	0503030388	PLUG N-005		01
26	0501047852	COMPLETE CONTROLLER		02
26A	0501069069	CONTROL VALVE (V 985-4/AX 4.75)		01
26B	0503030878	LEVER CRANK		01
27	0511051801	TANK COVER EXTENSION		01
27A	0521061568			01
27B	0503010141	2-226 N 3006-9B O'RING		02
27C	0502020549	TANK COVER		01
28	0501063383	TANK OUTER TUBE		01
29	0511049242			01
29A	0501080892	3/4 X 2500 TC-TC HOSE		01
29B	0501013456	1.1/4 X 1600 AB-AB HOSE		01
29C	0501010613	1 X 650 AB-AB HOSE		01
29D	0501080076	1/2" X 2500 TR-TM HOSE ASSY		02
29E	0501081638	1/2 X 1050 TC-TR HOSE		01
29F	0501080059	1/2" X 61" TR-TC HOSE ASSY		01
29G	0501080941	1/2 X 1800 TC-TR HOSE		01
29H	0501080827	1/2" X 90.55" TR-TR HOSE		01
29I	0501080021	1/2 X 1300 TR-TR HOSE ASSY		02
30	0503013493	T CONNECTION MALE		02
31	0503010026	3/8" NUT		03
32	0501010080	3/8" BOLT		02
33	0503011148	3/8" X 1/2" BOLT		02

DRIVE SHAFT



Item	Code	Description	See page	QT
01	0503017426	28,65 TERMINAL		01
02	0503017427	SQUARE TUBE		01
03	0503014639	CROSSPIECE		02
04	0503017428	TERMINAL W/HOLE SQUARE		01
05	0503017429	SQUARE BAR		01
06	0503017430	CC 13 TERMINAL		02



Item	Code	Description	See page	QT
001	0521062692	Ø85,72 X 510 7/8" CYLINDER - PD VTR A950		01
002	0501068208	44,45 X 670 TURNBUCKLE		01
003	0503030387	PLUG		02
004	0503010002	1800 GREASE FITTING		02
005	0503010042	2-214 N 3006-9B O'RING		01
006	0503010063	1" SELF-ALIGNING NUT		01
007	0571019710	1.7" X 3.4" PISTON		01
008	0503017935	RING		01
009	0503018144	RING		01
010	0571019711	RING SUPPORT		01
011	0503010761	D-1750 SCRAPER RING		01
012	0571019709	DETACHABLE COVER		01
013	0503017936	RING		01
014	0503017938	RING GUIDE		01
015	0503017937	GASKET		01
016	0503017940	8-337 BACK-UP RING		02
017	0503017939	2-337 N 3006-9B O' RING		02



www.marchesan.com.br



Technical Publications | Elaboration and Revision
ALESSANDRA PATRICIA KAWAHARA CARRILI