

OFFSET DISK HARROW

GAPCR-HD 8013 RIGID HYDRAULIC

Code: 0501091752
Series: S-0915
Revision: 00
Date Revision: SETEMBRO/2018

PARTS CATALOGUE



MARCHESAN



PRODUCTS

| Code | Description |
|------------|---|
| 0102060245 | GAPCR-HD 8013 21X32X9 DR DM C/ET S-0915 |
| 0102060246 | GAPCR-HD 8013 21X32X9 DR DM S/ET S-0915 |
| 0102060249 | GAPCR-HD 8013 21X34X9 DR DM C/ET S-0915 |
| 0102060251 | GAPCR-HD 8013 21X34X9 DR DM S/ET S-0915 |
| 0102060250 | GAPCR-HD 8013 21X36X9 DR DM C/ET S-0915 |
| 0102060252 | GAPCR-HD 8013 21X36X9 DR DM S/ET S-0915 |
| 0102060253 | GAPCR-HD 8013 23X32X9 DR DM C/ET S-0915 |
| 0102060254 | GAPCR-HD 8013 23X32X9 DR DM S/ET S-0915 |
| 0102060255 | GAPCR-HD 8013 23X34X9 DR DM C/ET S-0915 |
| 0102060256 | GAPCR-HD 8013 23X34X9 DR DM S/ET S-0915 |
| 0102060247 | GAPCR-HD 8013 23X36X9 DR DM C/ET S-0915 |
| 0102060248 | GAPCR-HD 8013 23X36X9 DR DM S/ET S-0915 |
| 0102060244 | GAPCR-HD 8013 24X34X9 DM DR S/PN FF S-0915 |
| 0102060259 | GAPCR-HD 8013 25X32X9 DR DM C/ET S-0915 |
| 0102060261 | GAPCR-HD 8013 25X32X9 DR DM S/ET S-0915 |
| 0102060260 | GAPCR-HD 8013 25X34X9 DR DM C/ET S-0915 |
| 0102060262 | GAPCR-HD 8013 25X34X9 DR DM S/ET S-0915 |
| 0102060257 | GAPCR-HD 8013 25X36X9 DR DM C/ET S-0915 |
| 0102060258 | GAPCR-HD 8013 25X36X9 DR DM S/ET S-0915 |
| 0102060263 | GAPCR-HD 8013 27X32X9 DR DM C/ET S-0915 |
| 0102060266 | GAPCR-HD 8013 27X32X9 DR DM S/ET S-0915 |
| 0102060264 | GAPCR-HD 8013 27X34X9 DR DM C/ET S-0915 |
| 0102060267 | GAPCR-HD 8013 27X34X9 DR S/ET S-0915 |
| 0102060265 | GAPCR-HD 8013 27X36X9 DR DM C/ET S-0915 |
| 0102060268 | GAPCR-HD 8013 27X36X9 DR DM S/ET S-0915 |
| 0102060269 | GAPCR-HD 8013 29X32X9 DR DM HID C/ET S-0915 |
| 0102060272 | GAPCR-HD 8013 29X32X9 DR DM HID S/ET S-0915 |
| 0102060270 | GAPCR-HD 8013 29X34X9 DR DM HID C/ET S-0915 |
| 0102060273 | GAPCR-HD 8013 29X34X9 DR DM HID S/ET S-0915 |
| 0102060271 | GAPCR-HD 8013 29X36X9 DR DM HID C/ET S-0915 |

ATTENTION: IMPORTANT

Marchesan S.A. reserves the right to improve and/or modify the technical features of its products, without obligation to do the same with those products already sold and without prior knowledge of the dealer or the consumer. The photos are only illustrative.



PRODUCTS

| | |
|------------|---|
| 0102060274 | GAPCR-HD 8013 29X36X9 DR DM HID S/ET S-0915 |
| 0102060281 | GAPCR-HD 8013 31X32X9 DR DM HID C/ET S-0915 |
| 0102060284 | GAPCR-HD 8013 31X32X9 DR DM HID S/ET S-0915 |
| 0102060282 | GAPCR-HD 8013 31X34X9 DR DM HID C/ET S-0915 |
| 0102060285 | GAPCR-HD 8013 31X34X9 DR DM HID S/ET S-0915 |
| 0102060283 | GAPCR-HD 8013 31X36X9 DR DM HID C/ET S-0915 |
| 0102060286 | GAPCR-HD 8013 31X36X9 DR DM HID S/ET S-0915 |
| 0102060293 | GAPCR-HD 8013 33X32X9 DR DM HID C/ET S-0915 |
| 0102060296 | GAPCR-HD 8013 33X32X9 DR DM HID S/ET S-0915 |
| 0102060294 | GAPCR-HD 8013 33X34X9 DR DM HID C/ET S-0915 |
| 0102060297 | GAPCR-HD 8013 33X34X9 DR DM HID S/ET S-0915 |
| 0102060295 | GAPCR-HD 8013 33X36X9 DR DM HID C/ET S-0915 |
| 0102060298 | GAPCR-HD 8013 33X36X9 DR DM HID S/ET S-0915 |
| 0102060305 | GAPCR-HD 8013 35X32X9 DR DM HID C/ET S-0915 |
| 0102060308 | GAPCR-HD 8013 35X32X9 DR DM HID S/ET S-0915 |
| 0102060306 | GAPCR-HD 8013 35X34X9 DR DM HID C/ET S-0915 |
| 0102060309 | GAPCR-HD 8013 35X34X9 DR DM HID S/ET S-0915 |
| 0102060307 | GAPCR-HD 8013 35X36X9 DR DM HID C/ET S-0915 |
| 0102060310 | GAPCR-HD 8013 35X36X9 DR DM HID S/ET S-0915 |
| 0102060317 | GAPCR-HD 8013 37X32X9 DR DM HID C/ET S-0915 |
| 0102060320 | GAPCR-HD 8013 37X32X9 DR DM HID S/ET S-0915 |
| 0102060232 | GAPCR-HD 8013 37X32X9,0 DR C/ET S/PN S-0915 |
| 0102060230 | GAPCR-HD 8013 37X34X9 DR C/ET S/PN S-0915 |
| 0102060318 | GAPCR-HD 8013 37X34X9 DR DM HID C/ET S-0915 |
| 0102060321 | GAPCR-HD 8013 37X34X9 DR DM HID S/ET S-0915 |
| 0102060319 | GAPCR-HD 8013 37X36X9 DR DM HID C/ET S-0915 |
| 0102060322 | GAPCR-HD 8013 37X36X9,0 DR DM HID S/ET S-0915 |
| 0102060332 | GAPCR-HD 8013 39X32X9 DR DM HID S/ET S-0915 |
| 0102060329 | GAPCR-HD 8013 39X32X9,0 DR DM HID C/ET S-0915 |
| 0102060330 | GAPCR-HD 8013 39X34X9 DR DM HID C/ET S-0915 |
| 0102060333 | GAPCR-HD 8013 39X34X9 DR DM HID S/ET S-0915 |

ATTENTION: IMPORTANT

Marchesan S.A. reserves the right to improve and/or modify the technical features of its products, without obligation to do the same with those products already sold and without prior knowledge of the dealer or the consumer. The photos are only illustrative.



PRODUCTS

| | |
|------------|---|
| 0102060331 | GAPCR-HD 8013 39X36X9 DR DM HID C/ET S-0915 |
| 0102060334 | GAPCR-HD 8013 39X36X9 DR DM HID S/ET S-0915 |
| 0102060335 | GAPCR-HD 8013 41X32X9 DR DM HID C/ET S-0915 |
| 0102060338 | GAPCR-HD 8013 41X32X9 DR DM HID S/ET S-0915 |
| 0102060336 | GAPCR-HD 8013 41X34X9 DR DM HID C/ET S-0915 |
| 0102060339 | GAPCR-HD 8013 41X34X9 DR DM HID S/ET S-0915 |
| 0102060337 | GAPCR-HD 8013 41X36X9 DR DM HID C/ET S-0915 |
| 0102060340 | GAPCR-HD 8013 41X36X9 DR DM HID S/ET S-0915 |
| 0102060341 | GAPCR-HD 8013 45X32X9 DR DM HID C/ET S-0915 |
| 0102060344 | GAPCR-HD 8013 45X32X9 DR DM HID S/ET S-0915 |
| 0102060342 | GAPCR-HD 8013 45X34X9 DR DM HID C/ET S-0915 |
| 0102060345 | GAPCR-HD 8013 45X34X9 DR DM HID S/ET S-0915 |
| 0102060343 | GAPCR-HD 8013 45X36X9 DR DM HID C/ET S-0915 |
| 0102060346 | GAPCR-HD 8013 45X36X9 DR DM HID S/ET S-0915 |

ATTENTION: IMPORTANT

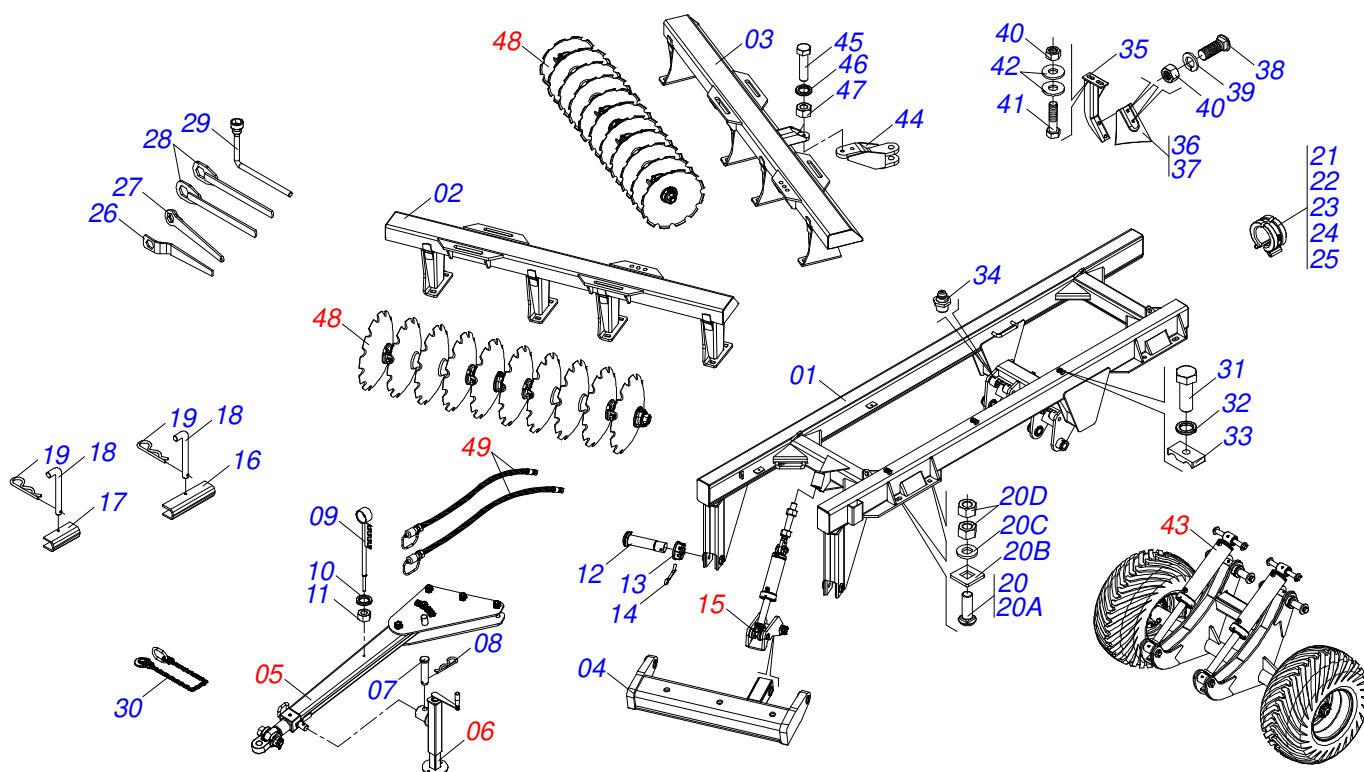
Marchesan S.A. reserves the right to improve and/or modify the technical features of its products, without obligation to do the same with those products already sold and without prior knowledge of the dealer or the consumer. The photos are only illustrative.



MARCHESAN

INDEX

| | | | |
|------------|---|-------|----|
| 0909092607 | FRAME ASSY - 21D | | 1 |
| 0909092608 | FRAME ASSY - 23/24D | | 2 |
| 0909092043 | FRAME ASSY - 25/27D | | 3 |
| 0909092053 | FRAME ASSY - 29/31/33/35/37D | | 4 |
| 0909092054 | FRAME ASSY - 39/41/45D | | 5 |
| 0511045200 | ASSY TRACTION BAR WITH HITCH 3 | | 6 |
| 0521041823 | ASSY TRACTION BAR (PIN 3) | | 7 |
| 0531040171 | ASSY HITCH | | 8 |
| 0511048088 | DRAWBAR JACK | | 9 |
| 0909092741 | REAR COUPLING KIT | | 10 |
| 0511059196 | VALVE ASSY | | 11 |
| 0521052190 | MANUAL CANISTER ASSY | | 12 |
| 0909094861 | HEAD ARTICULATED ASSY | | 13 |
| 0909094855 | HEAD ARTICULATED ASSY | | 14 |
| 0511058419 | HYDRAULIC CYLINDER 50,80 X 101,60 X 514 X 206 | | 15 |
| 0511058521 | 50,80 X 101,60 X 527 X 165 HYDRAULIC CYLINDER | | 16 |
| 0909093678 | WHEEL ASSY | | 17 |
| 0909094857 | WHEEL ASSY | | 18 |
| 0909094862 | ASSY WHEEL | | 19 |
| 0503060102 | WHEEL AND TIRE | | 20 |
| 0503062172 | WHEEL AND TIRE ASSY | | 21 |
| 0501057120 | WHEEL WITHOUT TIRE | | 22 |
| 0501056467 | STUB SHAFT & HUB ASSY | | 23 |
| 0521051832 | HYDRAULIC CYLINDER 53,98 X 114,30 X 654 X 346 | | 24 |
| 0909093685 | LANTERN FIXING ASSY | | 25 |
| 0521052191 | RELIEF VALVE | | 26 |
| 0909092061 | 021/023/024/025/027/029/031D - DISC GANG SECTION | | 27 |
| 0909094858 | 033/035/037/039/041/045D - DISC GANG SECTION | | 28 |
| 0511042290 | 13" X 2-1/2" OIL BATH BEARING | | 29 |
| 0511045349 | AGRICULTURAL BEARING | | 30 |
| 0909092055 | 21/23/24/25/27D - HYDRAULIC CIRCUIT | | 31 |
| 0909092606 | 29/31/33/35/37D - WITH HITCH REAR HYDRAULIC CIRCUIT | | 32 |
| 0909092549 | 39/41/45D - HYDRAULIC CIRCUIT | | 33 |
| 0501053834 | MALE QUICK COUPLER | | 34 |
| 0501053835 | FEMALE QUICK COUPLER | | 35 |

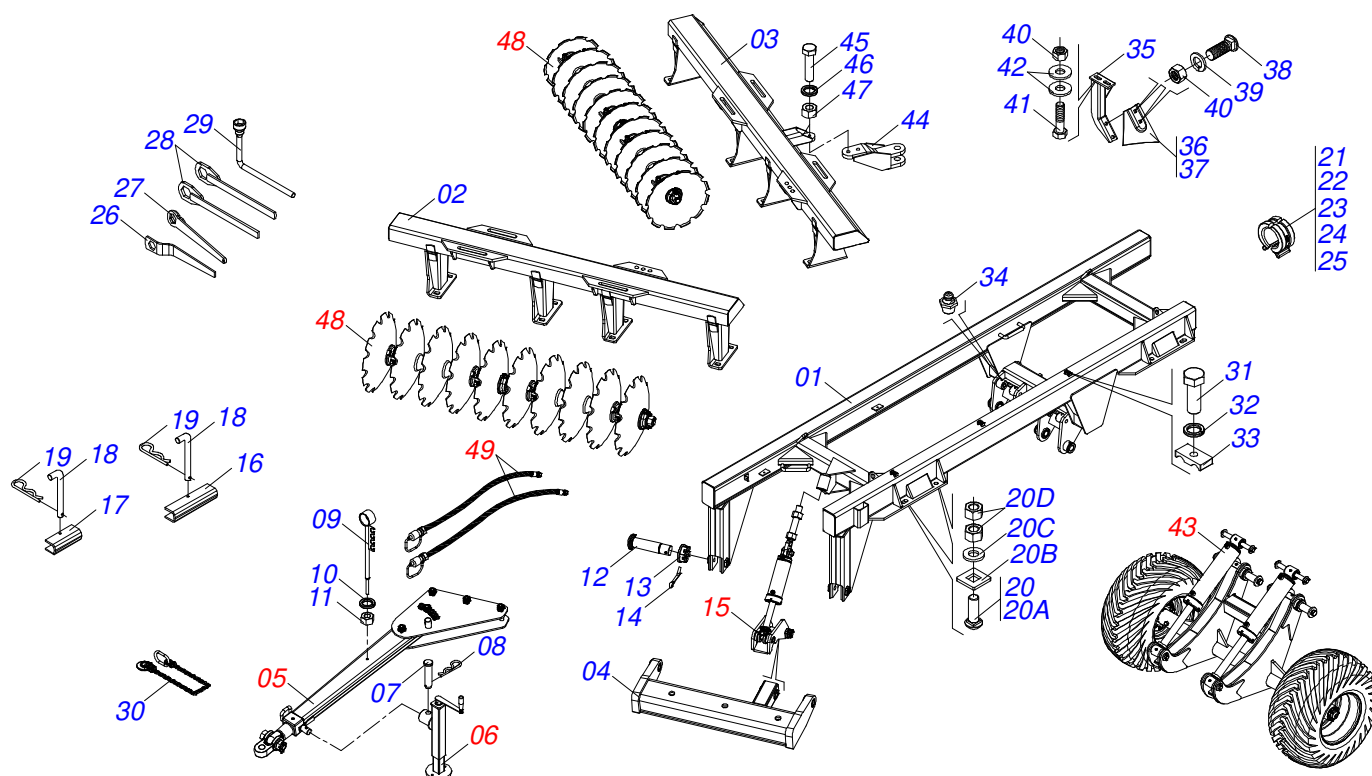


| Item | Code | Description | See page | QT |
|------|------------|-----------------------------------|----------|----|
| 01 | 0511067822 | FRAME GASPCR-HD 9017/EHD 10020 | | 01 |
| 02 | 0521065440 | 21 FRONT FRAME | | 01 |
| 03 | 0521065441 | REAR FRAME | | 01 |
| 04 | 0511067827 | 1100 OFFSET BAR | | 01 |
| 05 | 0511045200 | ASSY TRACTION BAR WITH HITCH 3 | 6 | 01 |
| 06 | 0511048088 | DRAWBAR JACK | 9 | 01 |
| 07 | 0561014251 | COUPLING SHAFT | | 01 |
| 08 | 0503030012 | HAIR PIN | | 01 |
| 09 | 0521062849 | HOSE HOLDER ASSY | | 01 |
| 10 | 0503010023 | 3/4" SPRING WASHER | | 01 |
| 11 | 0503010014 | 3/4" NUT | | 45 |
| 12 | 0541014119 | 37.5 X 195 COUPLING SHAFT | | 02 |
| 13 | 0501011301 | 1.1/2 UNC 6FPP 2.5/16 NUT | | 02 |
| 14 | 0503010010 | 1/4" X 2.1/2" COTTERPIN | | 02 |
| 15 | 0909094855 | HEAD ARTICULATED ASSY | 14 | 01 |
| 16 | 0561016693 | TRANSPORT LOCK | | 02 |
| 17 | 0551010332 | TRANSPORT LOCK | | 01 |
| 18 | 0541016844 | FIXER LOCK | | 03 |
| 19 | 0503030285 | HAIR PIN | | 03 |
| 20 | 0521040349 | 1-1/4" X 5.3/4" BOLT | | 08 |
| 20A | 0501010954 | 1-1/4" X 5-3/4" BOLT | | 08 |
| 20B | 0571010449 | LOCK BOLT | | 08 |
| 20C | 0571010448 | SLEEVE 32,50 X 75 X 16 | | 08 |
| 20D | 0501010087 | 1.1/4" NUT | | 08 |
| 21 | 0501047895 | ROD STOP | | 06 |
| 22 | 0501047885 | ROD STOP | | 03 |
| 23 | 0501047887 | ROD STOP | | 03 |
| 24 | 0501047886 | ROD STOP | | 03 |
| 25 | 0501047888 | ROD STOP | | 03 |
| 26 | 0501011432 | 1-1/2" AND 1-5/8 GANG BOLT WRENCH | | 01 |
| 27 | 0521062858 | 1.1/4" WRENCH NUT | | 01 |



**GAPCR-HD 8013 RIGID HYDRAULIC
FRAME ASSY - 21D**

| Item | Code | Description | See page | QT |
|------|------------|--|----------|----|
| 28 | 0501061044 | 2-1/8" AND 2-1/2" CABLE FLAT WRENCH | | 02 |
| 29 | 0503016137 | 1-1/4" WRENCH CABLE CYLINDER | | 01 |
| 30 | 0503013150 | 1300 X 3/8 CHAIN | | 01 |
| 31 | 0503011135 | BOLT | | 04 |
| 32 | 0503010180 | 7/16" SPRING WASHER | | 04 |
| 33 | 0502010477 | HOSE CLAMP | | 04 |
| 34 | 0503010002 | 1800 GREASE FITTING | | 09 |
| 35 | 0511064771 | FRONT SCRAPER SUPPORT | | 21 |
| 36 | 0521013678 | FRONT CLEANER | | 10 |
| 37 | 0521013679 | REAR CLEANER | | 11 |
| 38 | 0503012195 | 5/8" NUT | | 42 |
| 39 | 0503010027 | 5/8" SPRING WASHER | | 42 |
| 40 | 0503010013 | 5/8" NUT | | 42 |
| 41 | 0503010232 | 5/8" X 1.3/4" BOLT | | 42 |
| 42 | 0541010763 | FLAT WASHER | | 84 |
| 43 | 0909094857 | WHEEL ASSY | 18 | 01 |
| 44 | 0511064810 | REAR HITCH | | 01 |
| 45 | 0503011346 | 7/8" X 3-1/2" BOLT | | 02 |
| 46 | 0503010408 | 7/8" SPRING WASHER | | 02 |
| 47 | 0503010417 | 7/8" NUT | | 02 |
| 48 | 0909092061 | 021/023/024/025/027/029/031D - DISC GANG SECTION | 27 | 01 |
| 49 | 0909092055 | 21/23/24/25/27D - HYDRAULIC CIRCUIT | 31 | 01 |

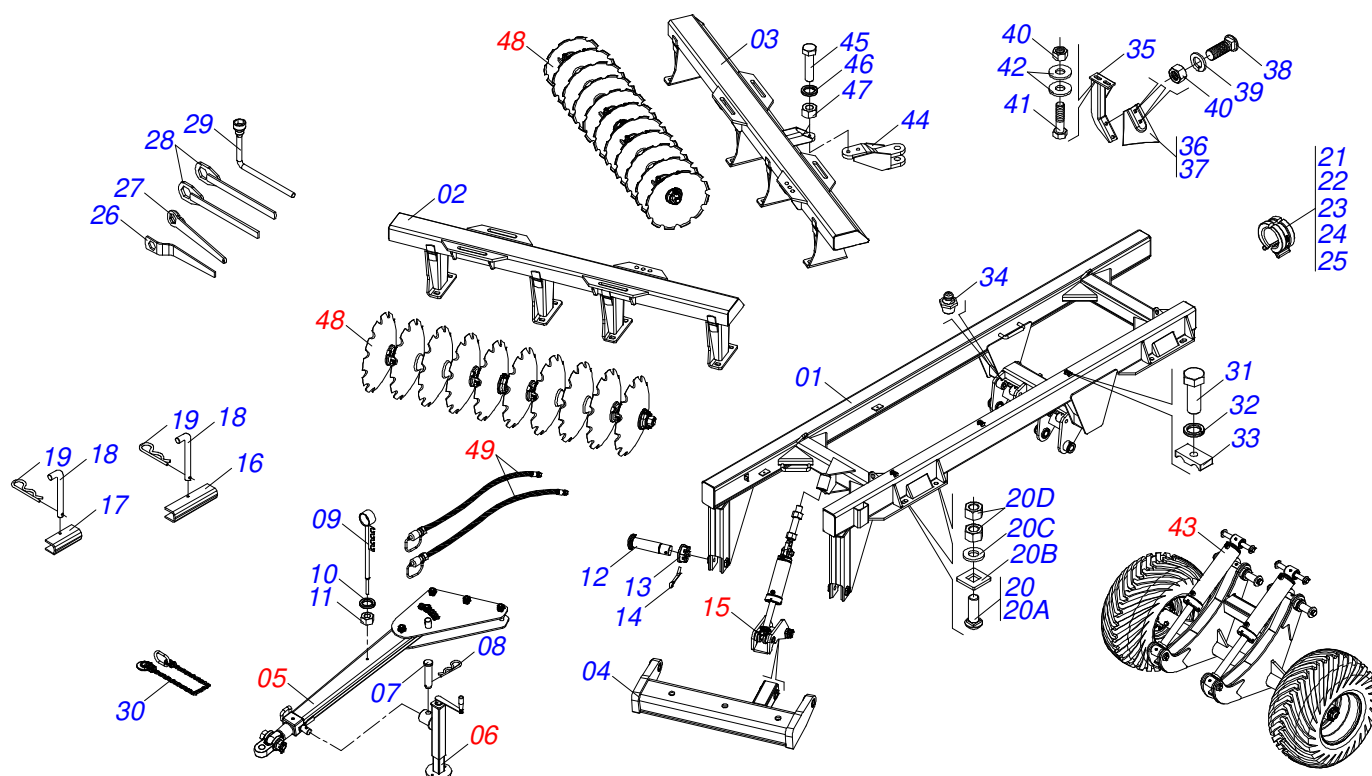


| Item | Code | Description | See page | 023 | 024 |
|------|------------|--------------------------------|----------|-----|-----|
| 01 | 0511067822 | FRAME GASPCR-HD 9017/EHD 10020 | | 001 | 001 |
| 02 | 0521065442 | FRONT FRAME | | 001 | 000 |
| 02. | 0521065444 | FRONT FRAME GAPCR-HD 8013 25D | | 000 | 001 |
| 03 | 0521065443 | 23 REAR FRAME | | 001 | 000 |
| 03. | 0521068367 | REAR FRAME | | 000 | 001 |
| 04 | 0511067827 | 1100 OFFSET BAR | | 001 | 001 |
| 05 | 0511045200 | ASSY TRACTION BAR WITH HITCH 3 | 6 | 001 | 001 |
| 06 | 0511048088 | DRAWBAR JACK | 9 | 001 | 001 |
| 07 | 0561014251 | COUPLING SHAFT | | 001 | 001 |
| 08 | 0503030012 | HAIR PIN | | 001 | 001 |
| 09 | 0521062849 | HOSE HOLDER ASSY | | 001 | 001 |
| 10 | 0503010023 | 3/4" SPRING WASHER | | 001 | 001 |
| 11 | 0503010014 | 3/4" NUT | | 049 | 053 |
| 12 | 0541014119 | 37.5 X 195 COUPLING SHAFT | | 002 | 002 |
| 13 | 0501011301 | 1.1/2 UNC 6FPP 2.5/16 NUT | | 002 | 002 |
| 14 | 0503010010 | 1/4" X 2.1/2" COTTERPIN | | 002 | 002 |
| 15 | 0909094855 | HEAD ARTICULATED ASSY | 14 | 001 | 001 |
| 16 | 0561016693 | TRANSPORT LOCK | | 002 | 002 |
| 17 | 0551010332 | TRANSPORT LOCK | | 001 | 001 |
| 18 | 0541016844 | FIXER LOCK | | 003 | 003 |
| 19 | 0503030285 | HAIR PIN | | 003 | 003 |
| 20 | 0521040349 | 1-1/4" X 5.3/4" BOLT | | 008 | 008 |
| 20A | 0501010954 | 1-1/4" X 5-3/4" BOLT | | 008 | 008 |
| 20B | 0571010449 | LOCK BOLT | | 008 | 008 |
| 20C | 0571010448 | SLEEVE 32,50 X 75 X 16 | | 008 | 008 |
| 20D | 0501010087 | 1.1/4" NUT | | 008 | 008 |
| 21 | 0501047895 | ROD STOP | | 006 | 006 |
| 22 | 0501047885 | ROD STOP | | 003 | 003 |
| 23 | 0501047887 | ROD STOP | | 003 | 003 |
| 24 | 0501047886 | ROD STOP | | 003 | 003 |
| 25 | 0501047888 | ROD STOP | | 003 | 003 |



**GAPCR-HD 8013 RIGID HYDRAULIC
FRAME ASSY - 23/24D**

| Item | Code | Description | See page | 023 | 024 |
|------|------------|--|----------|-----|-----|
| 26 | 0501011432 | 1-1/2" AND 1-5/8 GANG BOLT WRENCH | | 001 | 001 |
| 27 | 0521062858 | 1.1/4" WRENCH NUT | | 001 | 001 |
| 28 | 0501061044 | 2-1/8" AND 2-1/2" CABLE FLAT WRENCH | | 002 | 002 |
| 29 | 0503016137 | 1-1/4" WRENCH CABLE CYLINDER | | 001 | 001 |
| 30 | 0503013150 | 1300 X 3/8 CHAIN | | 001 | 001 |
| 31 | 0503011135 | BOLT | | 004 | 004 |
| 32 | 0503010180 | 7/16" SPRING WASHER | | 004 | 004 |
| 33 | 0502010477 | HOSE CLAMP | | 004 | 004 |
| 34 | 0503010002 | 1800 GREASE FITTING | | 009 | 009 |
| 35 | 0511064771 | FRONT SCRAPER SUPPORT | | 023 | 025 |
| 36 | 0521013678 | FRONT CLEANER | | 011 | 012 |
| 37 | 0521013679 | REAR CLEANER | | 012 | 013 |
| 38 | 0503012195 | 5/8" NUT | | 046 | 050 |
| 39 | 0503010027 | 5/8" SPRING WASHER | | 046 | 050 |
| 40 | 0503010013 | 5/8" NUT | | 046 | 050 |
| 41 | 0503010232 | 5/8" X 1.3/4" BOLT | | 046 | 050 |
| 42 | 0541010763 | FLAT WASHER | | 092 | 104 |
| 43 | 0909094857 | WHEEL ASSY | 18 | 001 | 001 |
| 44 | 0511064810 | REAR HITCH | | 001 | 000 |
| 45 | 0503011346 | 7/8" X 3-1/2" BOLT | | 002 | 000 |
| 46 | 0503010408 | 7/8" SPRING WASHER | | 002 | 000 |
| 47 | 0503010417 | 7/8" NUT | | 002 | 000 |
| 48 | 0909092061 | 021/023/024/025/027/029/031D - DISC GANG SECTION | 27 | 001 | 001 |
| 49 | 0909092055 | 21/23/24/25/27D - HYDRAULIC CIRCUIT | 31 | 001 | 001 |

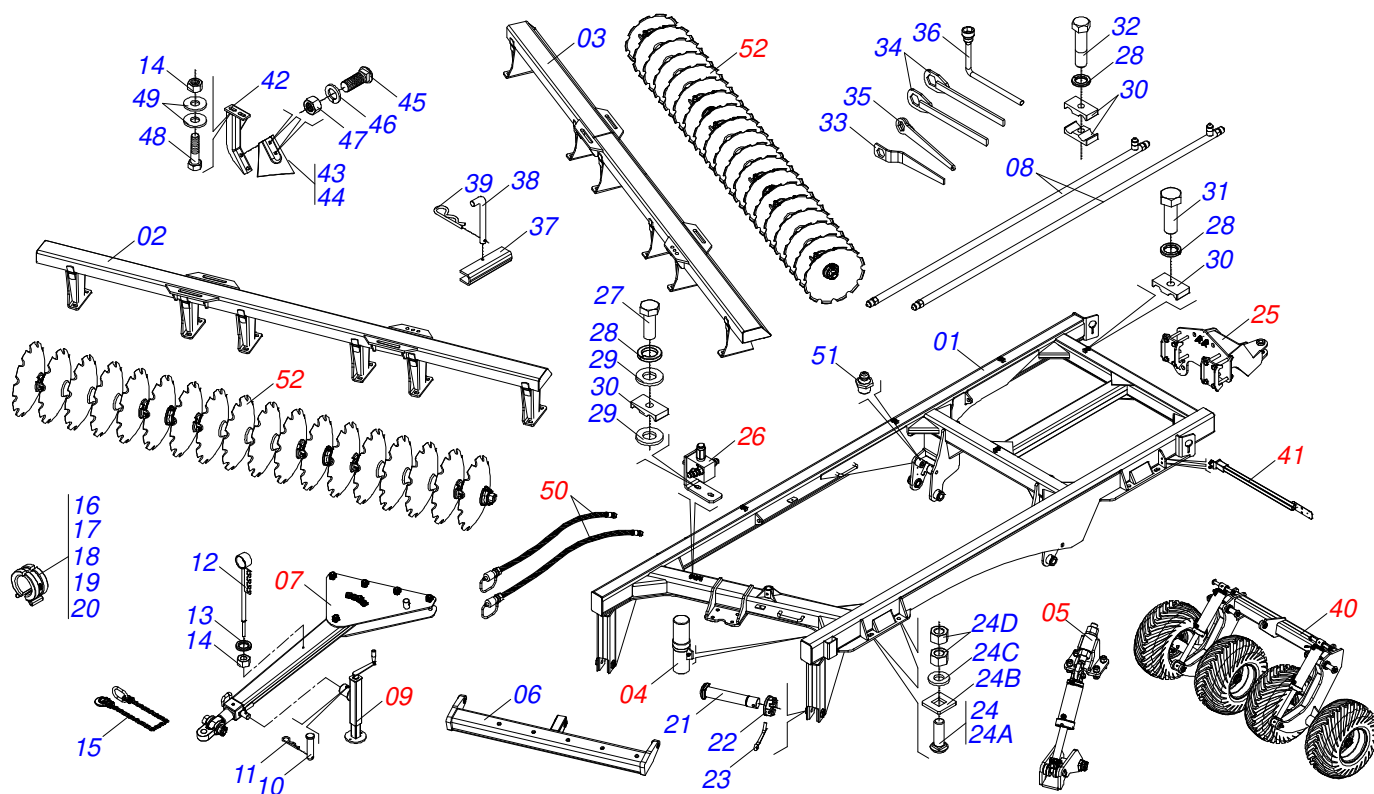


| Item | Code | Description | See page | 025 | 027 |
|------|------------|--------------------------------|----------|-----|-----|
| 01 | 0511067822 | FRAME GASPCR-HD 9017/EHD 10020 | | 001 | 001 |
| 02 | 0521065444 | FRONT FRAME GAPCR-HD 8013 25D | | 001 | 000 |
| 02. | 0521062730 | FRONT FRAME | | 000 | 001 |
| 03 | 0521065445 | REAR FRAME GAPCR-HD 8013 25D | | 001 | 000 |
| 03. | 0521062731 | REAR FRAME | | 000 | 001 |
| 04 | 0511067827 | 1100 OFFSET BAR | | 001 | 001 |
| 05 | 0511045200 | ASSY TRACTION BAR WITH HITCH 3 | 6 | 001 | 001 |
| 06 | 0511048088 | DRAWBAR JACK | 9 | 001 | 001 |
| 07 | 0561014251 | COUPLING SHAFT | | 001 | 001 |
| 08 | 0503030012 | HAIR PIN | | 001 | 001 |
| 09 | 0521062849 | HOSE HOLDER ASSY | | 001 | 001 |
| 10 | 0503010023 | 3/4" SPRING WASHER | | 001 | 001 |
| 11 | 0503010014 | 3/4" NUT | | 053 | 057 |
| 12 | 0541014119 | 37.5 X 195 COUPLING SHAFT | | 002 | 002 |
| 13 | 0501011301 | 1.1/2 UNC 6FPP 2.5/16 NUT | | 002 | 002 |
| 14 | 0503010010 | 1/4" X 2.1/2" COTTERPIN | | 002 | 002 |
| 15 | 0909094855 | HEAD ARTICULATED ASSY | 14 | 001 | 001 |
| 16 | 0561016693 | TRANSPORT LOCK | | 002 | 002 |
| 17 | 0551010332 | TRANSPORT LOCK | | 001 | 001 |
| 18 | 0541016844 | FIXER LOCK | | 003 | 003 |
| 19 | 0503030285 | HAIR PIN | | 003 | 003 |
| 20 | 0521040349 | 1-1/4" X 5.3/4" BOLT | | 008 | 008 |
| 20A | 0501010954 | 1-1/4" X 5-3/4" BOLT | | 008 | 008 |
| 20B | 0571010449 | LOCK BOLT | | 008 | 008 |
| 20C | 0571010448 | SLEEVE 32,50 X 75 X 16 | | 008 | 008 |
| 20D | 0501010087 | 1.1/4" NUT | | 008 | 008 |
| 21 | 0501047895 | ROD STOP | | 006 | 006 |
| 22 | 0501047885 | ROD STOP | | 003 | 003 |
| 23 | 0501047887 | ROD STOP | | 003 | 003 |
| 24 | 0501047886 | ROD STOP | | 003 | 003 |
| 25 | 0501047888 | ROD STOP | | 003 | 003 |



**GAPCR-HD 8013 RIGID HYDRAULIC
FRAME ASSY - 25/27D**

| Item | Code | Description | See page | 025 | 027 |
|------|------------|--|----------|-----|-----|
| 26 | 0501011432 | 1-1/2" AND 1-5/8 GANG BOLT WRENCH | | 001 | 001 |
| 27 | 0521062858 | 1.1/4" WRENCH NUT | | 001 | 001 |
| 28 | 0501061044 | 2-1/8" AND 2-1/2" CABLE FLAT WRENCH | | 002 | 002 |
| 29 | 0503016137 | 1-1/4" WRENCH CABLE CYLINDER | | 001 | 001 |
| 30 | 0503013150 | 1300 X 3/8 CHAIN | | 001 | 001 |
| 31 | 0503011135 | BOLT | | 004 | 004 |
| 32 | 0503010180 | 7/16" SPRING WASHER | | 004 | 004 |
| 33 | 0502010477 | HOSE CLAMP | | 004 | 004 |
| 34 | 0503010002 | 1800 GREASE FITTING | | 009 | 009 |
| 35 | 0511064771 | FRONT SCRAPER SUPPORT | | 025 | 027 |
| 36 | 0521013678 | FRONT CLEANER | | 012 | 013 |
| 37 | 0521013679 | REAR CLEANER | | 013 | 014 |
| 38 | 0503012195 | 5/8" NUT | | 050 | 054 |
| 39 | 0503010027 | 5/8" SPRING WASHER | | 050 | 054 |
| 40 | 0503010013 | 5/8" NUT | | 050 | 054 |
| 41 | 0503010232 | 5/8" X 1.3/4" BOLT | | 050 | 054 |
| 42 | 0541010763 | FLAT WASHER | | 104 | 108 |
| 43 | 0909094857 | WHEEL ASSY | 18 | 001 | 001 |
| 44 | 0511064810 | REAR HITCH | | 001 | 001 |
| 45 | 0503011346 | 7/8" X 3-1/2" BOLT | | 002 | 002 |
| 46 | 0503010408 | 7/8" SPRING WASHER | | 002 | 002 |
| 47 | 0503010417 | 7/8" NUT | | 002 | 002 |
| 48 | 0909092061 | 021/023/024/025/027/029/031D - DISC GANG SECTION | 27 | 001 | 001 |
| 49 | 0909092055 | 21/23/24/25/27D - HYDRAULIC CIRCUIT | 31 | 001 | 001 |

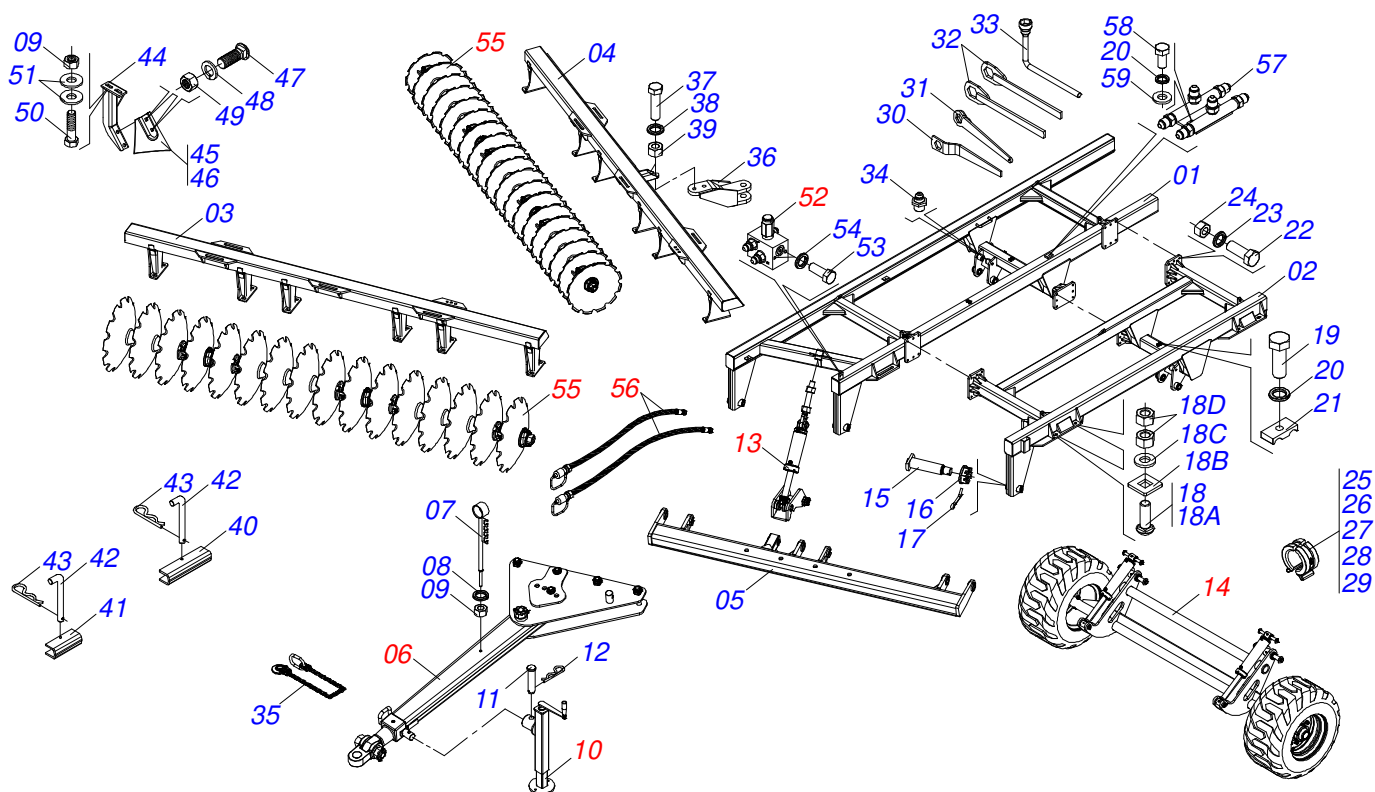


| Item | Code | Description | See page | 029 | 031 | 033 | 035 | 037 |
|--------|------------|---------------------------|----------|-----|-----|-----|-----|-----|
| 01 | 0521066702 | FRAME | | 001 | 001 | 001 | 001 | 001 |
| 02 | 0511066623 | FRONT FRAME | | 000 | 000 | 000 | 000 | 001 |
| 02. | 0521062724 | FRONT FRAME | | 000 | 000 | 000 | 001 | 000 |
| 02.. | 0521062726 | FRONT FRAME | | 000 | 000 | 001 | 000 | 000 |
| 02... | 0511066577 | FRONT FRAME | | 000 | 001 | 000 | 000 | 000 |
| 02.... | 0521062732 | FRONT FRAME | | 001 | 000 | 000 | 000 | 000 |
| 03 | 0521066747 | REAR FRAME | | 000 | 000 | 000 | 000 | 001 |
| 03. | 0521062725 | REAR FRAME | | 000 | 000 | 000 | 001 | 000 |
| 03.. | 0521062727 | REAR FRAME | | 000 | 000 | 001 | 000 | 000 |
| 03... | 0511066578 | REAR FRAME | | 000 | 001 | 000 | 000 | 000 |
| 03.... | 0521062733 | REAR FRAME | | 001 | 000 | 000 | 000 | 000 |
| 04 | 0521052190 | MANUAL CANISTER ASSY | 12 | 001 | 001 | 001 | 001 | 001 |
| 05 | 0909094861 | HEAD ARTICULATED ASSY | 13 | 001 | 001 | 001 | 001 | 001 |
| 06 | 0521066699 | OFFSET BAR | | 001 | 001 | 001 | 001 | 001 |
| 07 | 0521041823 | ASSY TRACTION BAR (PIN 3) | 7 | 001 | 001 | 001 | 001 | 001 |
| 08 | 0521066937 | DUCT DISTRIBUTOR OF OIL | | 002 | 002 | 002 | 002 | 002 |
| 09 | 0511048088 | DRAWBAR JACK | 9 | 001 | 001 | 001 | 001 | 001 |
| 10 | 0561014251 | COUPLING SHAFT | | 001 | 001 | 001 | 001 | 001 |
| 11 | 0503030012 | HAIR PIN | | 001 | 001 | 001 | 001 | 001 |
| 12 | 0521062849 | HOSE HOLDER ASSY | | 001 | 001 | 001 | 001 | 001 |
| 13 | 0503010023 | 3/4" SPRING WASHER | | 007 | 007 | 007 | 007 | 007 |
| 14 | 0503010014 | 3/4" NUT | | 063 | 067 | 071 | 075 | 079 |
| 15 | 0503013150 | 1300 X 3/8 CHAIN | | 001 | 001 | 001 | 001 | 001 |
| 16 | 0501047895 | ROD STOP | | 004 | 004 | 004 | 004 | 004 |
| 17 | 0501047885 | ROD STOP | | 002 | 002 | 002 | 002 | 002 |
| 18 | 0501047886 | ROD STOP | | 002 | 002 | 002 | 002 | 002 |
| 19 | 0501047887 | ROD STOP | | 002 | 002 | 002 | 002 | 002 |
| 20 | 0501047888 | ROD STOP | | 002 | 002 | 002 | 002 | 002 |
| 21 | 0541014119 | 37.5 X 195 COUPLING SHAFT | | 002 | 002 | 002 | 002 | 002 |
| 22 | 0501011301 | 1.1/2 UNC 6FPP 2.5/16 NUT | | 002 | 002 | 002 | 002 | 002 |
| 23 | 0503010010 | 1/4" X 2.1/2" COTTERPIN | | 000 | 002 | 002 | 002 | 002 |



**GAPCR-HD 8013 RIGID HYDRAULIC
FRAME ASSY - 29/31/33/35/37D**

| Item | Code | Description | See page | 029 | 031 | 033 | 035 | 037 |
|------|------------|---|----------|-----|-----|-----|-----|-----|
| 24 | 0521040349 | 1-1/4" X 5.3/4" BOLT | | 008 | 008 | 008 | 008 | 008 |
| 24A | 0501010954 | 1-1/4" X 5-3/4" BOLT | | 008 | 008 | 008 | 008 | 008 |
| 24B | 0571010449 | LOCK BOLT | | 008 | 008 | 008 | 008 | 008 |
| 24C | 0571010448 | SLEEVE 32,50 X 75 X 16 | | 008 | 008 | 008 | 008 | 008 |
| 24D | 0501010087 | 1.1/4" NUT | | 016 | 016 | 016 | 016 | 016 |
| 25 | 0909092741 | REAR COUPLING KIT | 10 | 001 | 001 | 001 | 001 | 001 |
| 26 | 0511059196 | VALVE ASSY | 11 | 001 | 001 | 001 | 001 | 001 |
| 27 | 0503011173 | 7/16" X 2" BOLT | | 002 | 002 | 002 | 002 | 002 |
| 28 | 0503010180 | 7/16" SPRING WASHER | | 007 | 007 | 007 | 007 | 007 |
| 29 | 0501012803 | FLAT WASHER | | 004 | 004 | 004 | 004 | 004 |
| 30 | 0502010477 | HOSE CLAMP | | 009 | 009 | 009 | 009 | 009 |
| 31 | 0503011135 | BOLT | | 003 | 003 | 003 | 003 | 003 |
| 32 | 0503011103 | 7/16" X 2-1/2" BOLT | | 002 | 002 | 002 | 002 | 002 |
| 33 | 0501011432 | 1-1/2" AND 1-5/8 GANG BOLT WRENCH | | 001 | 001 | 001 | 001 | 001 |
| 34 | 0501061044 | 2-1/8" AND 2-1/2" CABLE FLAT WRENCH | | 002 | 002 | 002 | 002 | 002 |
| 35 | 0521062858 | 1.1/4" WRENCH NUT | | 001 | 001 | 001 | 001 | 001 |
| 36 | 0503016137 | 1-1/4" WRENCH CABLE CYLINDER | | 001 | 001 | 001 | 001 | 001 |
| 37 | 0561016693 | TRANSPORT LOCK | | 002 | 002 | 002 | 002 | 002 |
| 38 | 0541016844 | FIXER LOCK | | 002 | 002 | 002 | 002 | 002 |
| 39 | 0503030285 | HAIR PIN | | 002 | 002 | 002 | 002 | 002 |
| 40 | 0909093678 | WHEEL ASSY | 17 | 001 | 001 | 001 | 001 | 001 |
| 41 | 0909093685 | LANTERN FIXING ASSY | 25 | 001 | 001 | 001 | 001 | 001 |
| 42 | 0511064771 | FRONT SCRAPER SUPPORT | | 029 | 031 | 033 | 035 | 037 |
| 43 | 0521013678 | FRONT CLEANER | | 014 | 015 | 016 | 017 | 018 |
| 44 | 0521013679 | REAR CLEANER | | 015 | 016 | 017 | 018 | 019 |
| 45 | 0503012195 | 5/8" NUT | | 058 | 062 | 066 | 070 | 074 |
| 46 | 0503010027 | 5/8" SPRING WASHER | | 058 | 062 | 066 | 070 | 074 |
| 47 | 0503010013 | 5/8" NUT | | 058 | 062 | 066 | 070 | 074 |
| 48 | 0501010500 | 3/4"X3"BOLT | | 058 | 062 | 066 | 070 | 074 |
| 49 | 0541010763 | FLAT WASHER | | 116 | 124 | 132 | 140 | 148 |
| 50 | 0909092606 | 29/31/33/35/37D - WITH HITCH REAR HYDRAULIC CIRCUIT | 32 | 001 | 001 | 001 | 001 | 001 |
| 51 | 0503010002 | 1800 GREASE FITTING | | 008 | 008 | 008 | 008 | 008 |
| 52 | 0909092061 | 021/023/024/025/027/029/031D - DISC GANG SECTION | 27 | 001 | 001 | 000 | 000 | 000 |
| 52. | 0909094858 | 033/035/037/039/041/045D - DISC GANG SECTION | 28 | 000 | 000 | 001 | 001 | 001 |

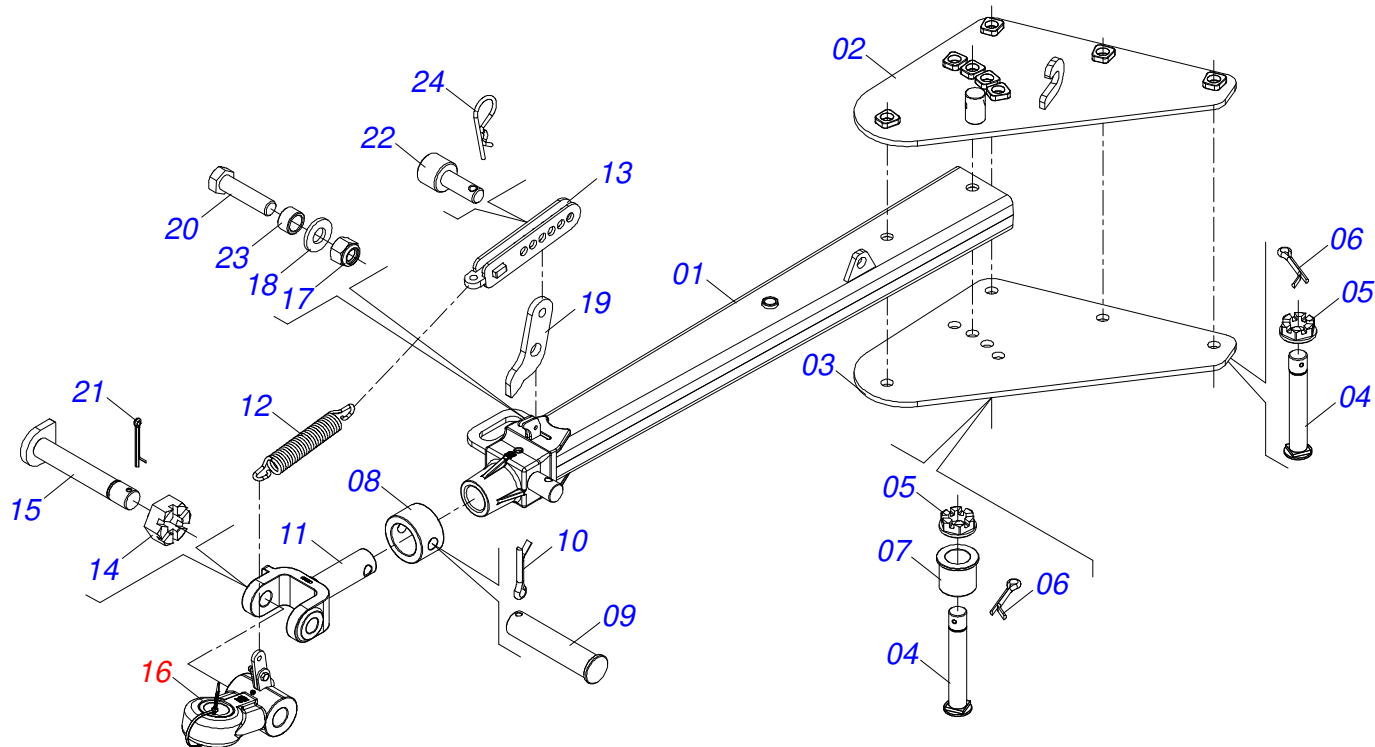


| Item | Code | Description | See page | 039 | 041 | 045 |
|------|------------|-------------------------------|----------|-----|-----|-----|
| 01 | 0521065285 | FRAME GASPCR-HD 9017 32-36 | | 001 | 001 | 001 |
| 02 | 0521065287 | LEFT FRAME | | 001 | 001 | 001 |
| 03 | 0521065446 | FRONT FRAME GAPCR-HD 8013 39D | | 001 | 000 | 000 |
| 03. | 0521065448 | FRONT FRAME GAPCR-HD 8013 41D | | 000 | 001 | 000 |
| 03.. | 0521065450 | FRONT FRAME | | 000 | 000 | 001 |
| 04 | 0521065447 | REAR FRAME GAPCR-HD 8013 39D | | 001 | 000 | 000 |
| 04. | 0521065449 | REAR FRAME GAPCR-HD 8013 41D | | 000 | 001 | 000 |
| 04.. | 0521065451 | REAR FRAME GAPCR-HD 8013 45D | | 000 | 000 | 001 |
| 05 | 0521065288 | OFFSET BAR | | 001 | 001 | 001 |
| 06 | 0521041823 | ASSY TRACTION BAR (PIN 3) | 7 | 001 | 001 | 001 |
| 07 | 0521062849 | HOSE HOLDER ASSY | | 001 | 001 | 001 |
| 08 | 0503010023 | 3/4" SPRING WASHER | | 001 | 001 | 001 |
| 09 | 0503010014 | 3/4" NUT | | 081 | 085 | 093 |
| 10 | 0511048088 | DRAWBAR JACK | 9 | 001 | 001 | 001 |
| 11 | 0561014251 | COUPLING SHAFT | | 001 | 001 | 001 |
| 12 | 0503030285 | HAIR PIN | | 001 | 001 | 001 |
| 13 | 0909094855 | HEAD ARTICULATED ASSY | 14 | 001 | 001 | 001 |
| 14 | 0909094862 | ASSY WHEEL | 19 | 001 | 001 | 001 |
| 15 | 0521063989 | 50,8 X 380 AXLE WITH LOCK | | 003 | 003 | 003 |
| 16 | 0501011301 | 1.1/2 UNC 6FPP 2.5/16 NUT | | 003 | 003 | 003 |
| 17 | 0503010010 | 1/4" X 2.1/2" COTTERPIN | | 003 | 003 | 003 |
| 18 | 0521040349 | 1-1/4" X 5.3/4" BOLT | | 010 | 010 | 010 |
| 18A | 0501010954 | 1-1/4" X 5-3/4" BOLT | | 010 | 010 | 010 |
| 18B | 0571010449 | LOCK BOLT | | 010 | 010 | 010 |
| 18C | 0571010448 | SLEEVE 32,50 X 75 X 16 | | 010 | 010 | 010 |
| 18D | 0501010087 | 1.1/4" NUT | | 020 | 020 | 020 |
| 19 | 0503011135 | BOLT | | 004 | 004 | 004 |
| 20 | 0503010180 | 7/16" SPRING WASHER | | 006 | 006 | 006 |
| 21 | 0502010477 | HOSE CLAMP | | 004 | 004 | 004 |
| 22 | 0501010171 | BOLT 1 UNC X 3.1/2 C S G.5 | | 018 | 022 | 018 |
| 23 | 0503010012 | 1" SPRING WASHER | | 018 | 022 | 022 |

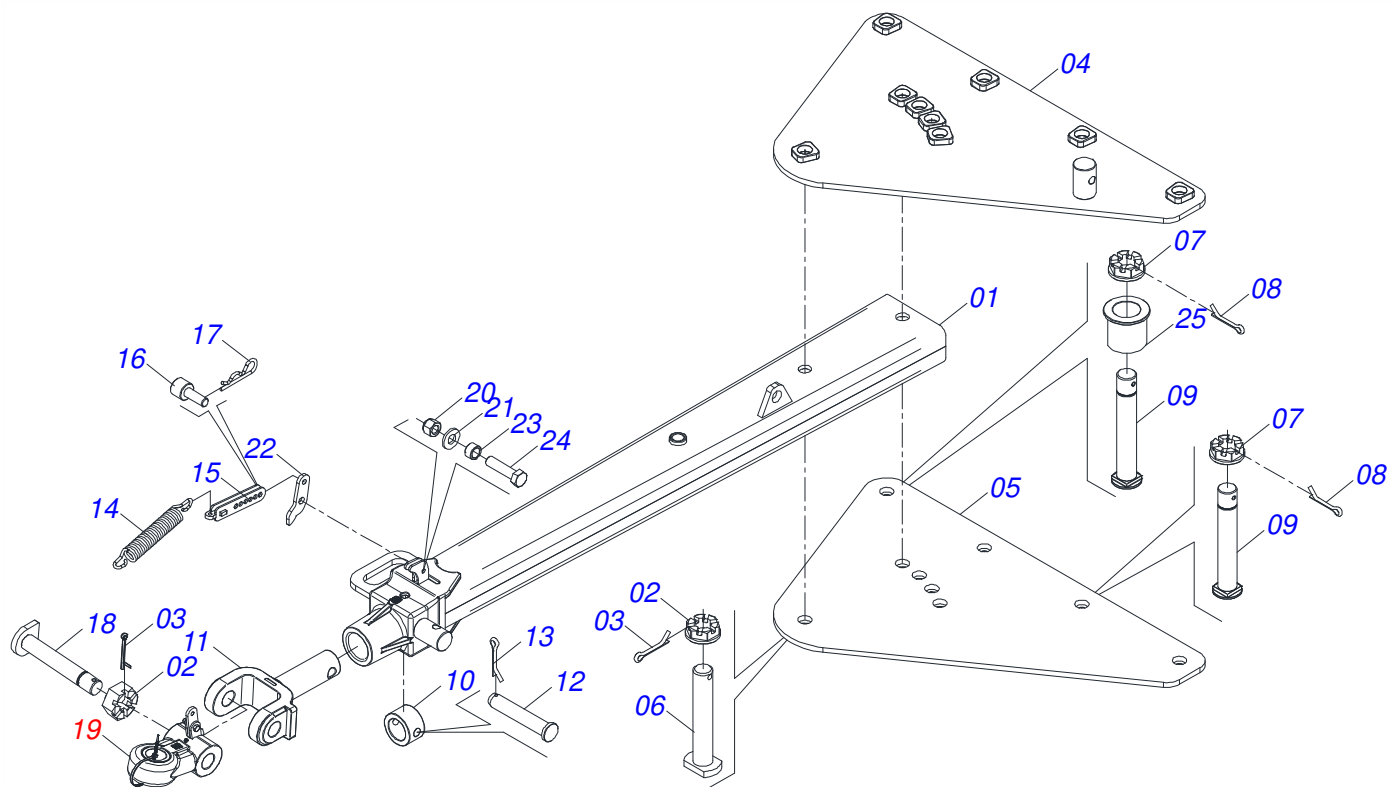


**GAPCR-HD 8013 RIGID HYDRAULIC
FRAME ASSY - 39/41/45D**

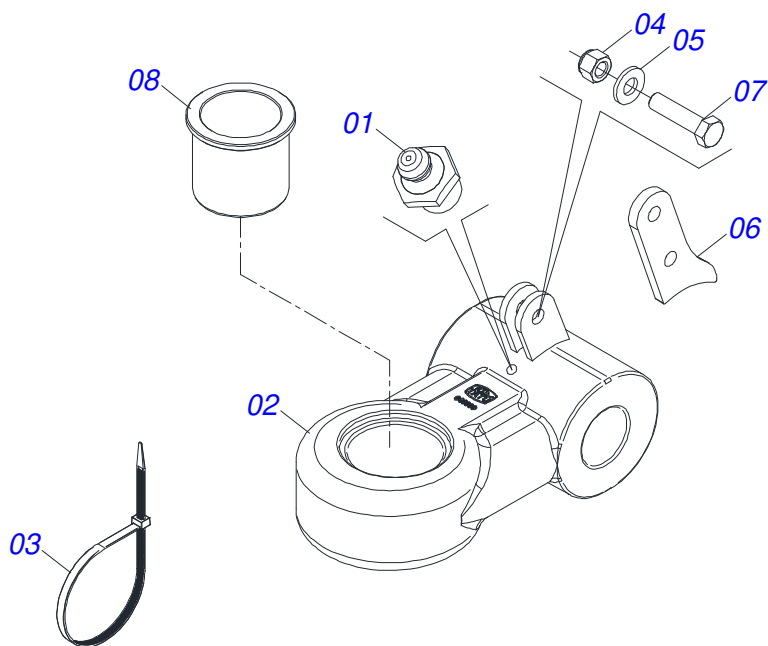
| Item | Code | Description | See page | 039 | 041 | 045 |
|------|------------|--|----------|-----|-----|-----|
| 24 | 0501010059 | 1.5/8 NUT | | 018 | 022 | 018 |
| 25 | 0501047895 | ROD STOP | | 006 | 006 | 006 |
| 26 | 0501047885 | ROD STOP | | 003 | 003 | 003 |
| 27 | 0501047887 | ROD STOP | | 003 | 003 | 003 |
| 28 | 0501047886 | ROD STOP | | 003 | 003 | 003 |
| 29 | 0501047888 | ROD STOP | | 003 | 003 | 003 |
| 30 | 0501011432 | 1-1/2" AND 1-5/8 GANG BOLT WRENCH | | 001 | 001 | 001 |
| 31 | 0521062858 | 1.1/4" WRENCH NUT | | 001 | 001 | 001 |
| 32 | 0501061044 | 2-1/8" AND 2-1/2" CABLE FLAT WRENCH | | 002 | 002 | 002 |
| 33 | 0503016137 | 1-1/4" WRENCH CABLE CYLINDER | | 001 | 001 | 001 |
| 34 | 0503010002 | 1800 GREASE FITTING | | 010 | 010 | 010 |
| 35 | 0503013150 | 1300 X 3/8 CHAIN | | 001 | 001 | 001 |
| 36 | 0511064810 | REAR HITCH | | 001 | 001 | 001 |
| 37 | 0503011346 | 7/8" X 3-1/2" BOLT | | 002 | 002 | 002 |
| 38 | 0503010408 | 7/8" SPRING WASHER | | 002 | 002 | 002 |
| 39 | 0503010417 | 7/8" NUT | | 002 | 002 | 002 |
| 40 | 0561016693 | TRANSPORT LOCK | | 002 | 002 | 002 |
| 41 | 0551019515 | LATCH SHIPPING | | 001 | 001 | 001 |
| 42 | 0541016844 | FIXER LOCK | | 003 | 003 | 003 |
| 43 | 0503030285 | HAIR PIN | | 002 | 002 | 002 |
| 44 | 0511064771 | FRONT SCRAPER SUPPORT | | 039 | 041 | 045 |
| 45 | 0521013678 | FRONT CLEANER | | 019 | 020 | 022 |
| 46 | 0521013679 | REAR CLEANER | | 020 | 021 | 023 |
| 47 | 0503012195 | 5/8" NUT | | 078 | 082 | 090 |
| 48 | 0503010027 | 5/8" SPRING WASHER | | 078 | 082 | 090 |
| 49 | 0503010013 | 5/8" NUT | | 078 | 082 | 090 |
| 50 | 0501010500 | 3/4"X3"BOLT | | 078 | 082 | 090 |
| 51 | 0541010763 | FLAT WASHER | | 156 | 164 | 180 |
| 52 | 0521052191 | RELIEF VALVE | 26 | 000 | 000 | 001 |
| 53 | 0503010237 | 3/8" X 1" BOLT | | 000 | 000 | 002 |
| 54 | 0503010025 | 3/8" SPRING WASHER | | 000 | 000 | 002 |
| 55 | 0909094858 | 033/035/037/039/041/045D - DISC GANG SECTION | 28 | 001 | 001 | 001 |
| 56 | 0909092549 | 39/41/45D - HYDRAULIC CIRCUIT | 33 | 001 | 001 | 001 |
| 57 | 0501068706 | DOUBLE CONNECTION | | 001 | 001 | 001 |
| 58 | 0503011338 | 7/16" X 1" BOLT | | 002 | 002 | 002 |
| 59 | 0501012803 | FLAT WASHER | | 002 | 002 | 002 |



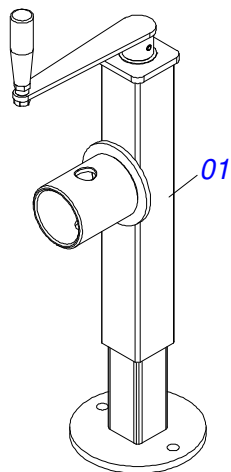
| Item | Code | Description | See page | QT |
|------|------------|-----------------------------------|----------|----|
| 01 | 0511064669 | DRAWBAR ASSY | | 01 |
| 02 | 0511067825 | UPPER PLATE | | 01 |
| 03 | 0511067826 | LOWER PLATE | | 01 |
| 04 | 0521011880 | 37,5 X 242 COUPLING SHAFT | | 05 |
| 05 | 0501011301 | 1.1/2 UNC 6FPP 2.5/16 NUT | | 05 |
| 06 | 0503010010 | 1/4" X 2.1/2" COTTERPIN | | 05 |
| 07 | 0591013086 | SLEEVE | | 01 |
| 08 | 0502040263 | ANEL TRAVA ENGATE | | 01 |
| 09 | 0561017306 | COUPLING SHAFT | | 01 |
| 10 | 0503010523 | 1/4" X 2" COTTERPIN | | 01 |
| 11 | 1902040897 | TRACTOR HITCH | | 01 |
| 12 | 0503031741 | 1.8" X 11.4" 0.3" TRACTION SPRING | | 01 |
| 13 | 0531061607 | SPRING REGULATOR | | 01 |
| 14 | 0502040558 | 2" CASTLE NUT | | 01 |
| 15 | 0531061122 | AXIS ARTICULATOR | | 01 |
| 16 | 0531040171 | ASSY HITCH | 8 | 01 |
| 17 | 0503010589 | 1/2" UNC SELF ADJUSTING NUT | | 01 |
| 18 | 0501010937 | 13.5 X 28 X 3 FLAT WASHER | | 01 |
| 19 | 0591014554 | REAR EAR FIXING SPRING | | 01 |
| 20 | 0503010740 | BOLT 1/2 UNC X 2 CS G.5 ZN | | 01 |
| 21 | 0503010074 | 3/8 X 0,15" COTTERPIN | | 01 |
| 22 | 0591014558 | SPRING REGULATOR FIXER AXLE | | 01 |
| 23 | 0591014552 | SLEEVE | | 01 |
| 24 | 0503030285 | HAIR PIN | | 01 |



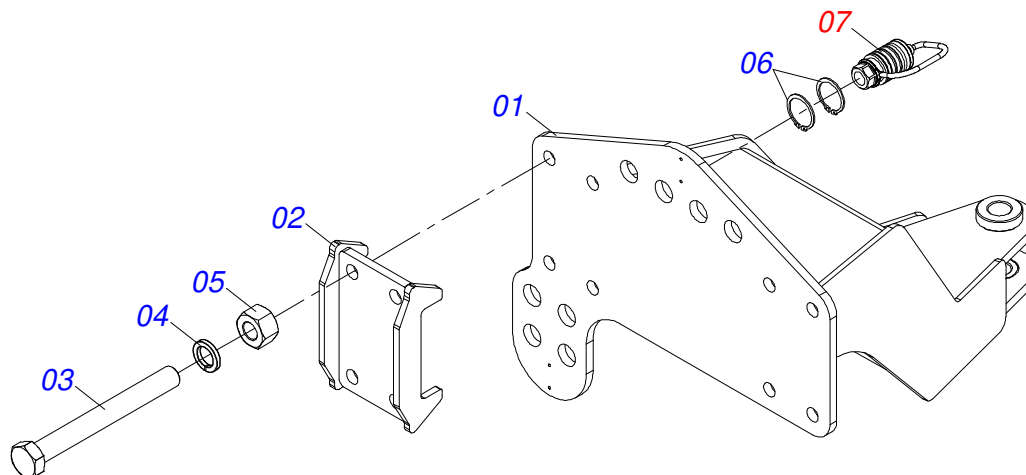
| Item | Code | Description | See page | QT |
|------|------------|--|----------|----|
| 01 | 0521068249 | BAR TRACTION (AXLE 2) | | 01 |
| 02 | 0502040558 | 2" CASTLE NUT | | 02 |
| 03 | 0503010074 | 3/8 X 0,15" COTTERPIN | | 02 |
| 04 | 0521068246 | UPPER PLATE (AXLE 2) | | 01 |
| 05 | 0521068247 | LOWER PLATE (AXLE 2) | | 01 |
| 06 | 0521068248 | SHAFT JUNCTION WITH LOCK (50,80 X 273) | | 01 |
| 07 | 0501811301 | CASTLE NUT | | 05 |
| 08 | 0503010010 | 1/4" X 2.1/2" COTTERPIN | | 05 |
| 09 | 0521811880 | 37,50 X 230 X PQ R.1./2 JUNCTION AXLE | | 05 |
| 10 | 0502040263 | ANEL TRAVA ENGATE | | 01 |
| 11 | 1902040897 | TRACTOR HITCH | | 01 |
| 12 | 0561017306 | COUPLING SHAFT | | 01 |
| 13 | 0503010523 | 1/4" X 2" COTTERPIN | | 01 |
| 14 | 0503031741 | 1.8" X 11.4" 0.3" TRACTION SPRING | | 01 |
| 15 | 0531061607 | SPRING REGULATOR | | 01 |
| 16 | 0591014558 | SPRING REGULATOR FIXER AXLE | | 01 |
| 17 | 0503030285 | HAIR PIN | | 01 |
| 18 | 0531061122 | AXIS ARTICULATOR | | 01 |
| 19 | 0531040171 | ASSY HITCH | 8 | 01 |
| 20 | 0503010589 | 1/2" UNC SELF ADJUSTING NUT | | 01 |
| 21 | 0501010937 | 13.5 X 28 X 3 FLAT WASHER | | 01 |
| 22 | 0591014554 | REAR EAR FIXING SPRING | | 01 |
| 23 | 0591014552 | SLEEVE | | 01 |
| 24 | 0503010740 | BOLT 1/2 UNC X 2 CS G.5 ZN | | 01 |
| 25 | 0591013086 | SLEEVE | | 01 |



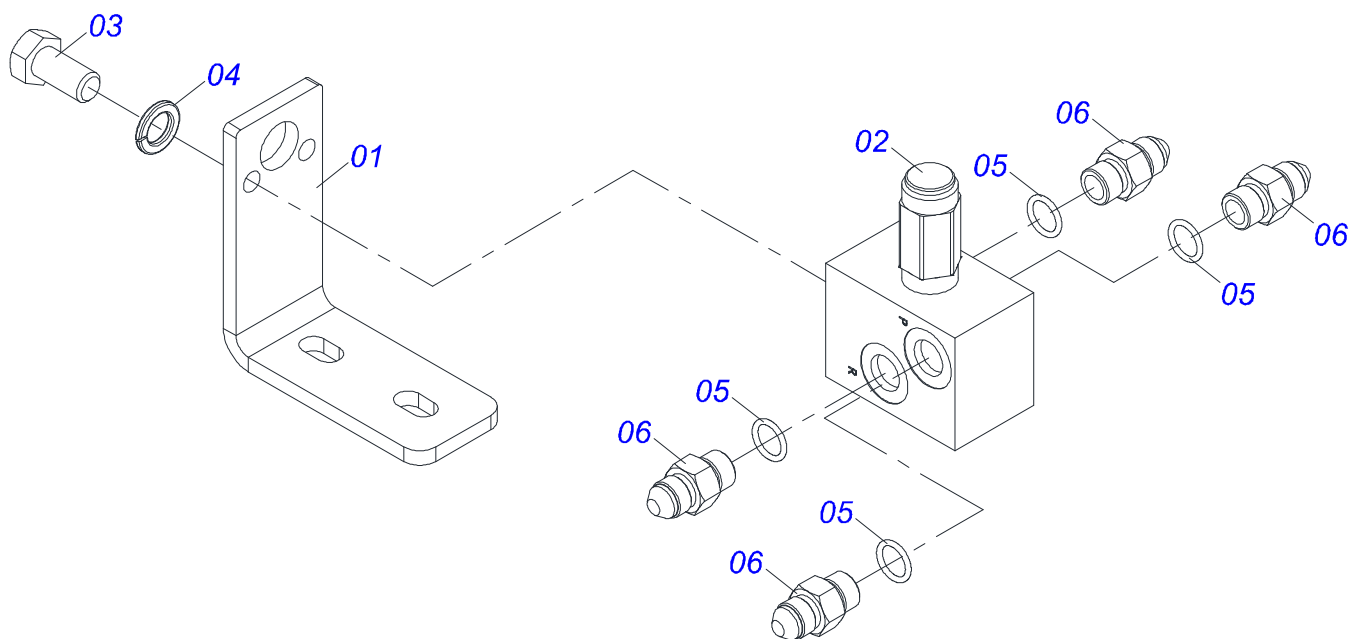
| Item | Code | Description | See page | QT |
|------|------------|-----------------------------|----------|----|
| 01 | 0503010002 | 1800 GREASE FITTING | | 01 |
| 02 | 0531061121 | HITCH | | 01 |
| 03 | 0503018829 | NYLON CLAMP | | 01 |
| 04 | 0503010589 | 1/2" UNC SELF ADJUSTING NUT | | 01 |
| 05 | 0501010937 | 13.5 X 28 X 3 FLAT WASHER | | 01 |
| 06 | 0591014555 | FRONT EAR FIXING SPRING | | 01 |
| 07 | 0503010740 | BOLT 1/2 UNC X 2 CS G.5 ZN | | 01 |
| 08 | 0591013448 | SLEEVE | | 01 |



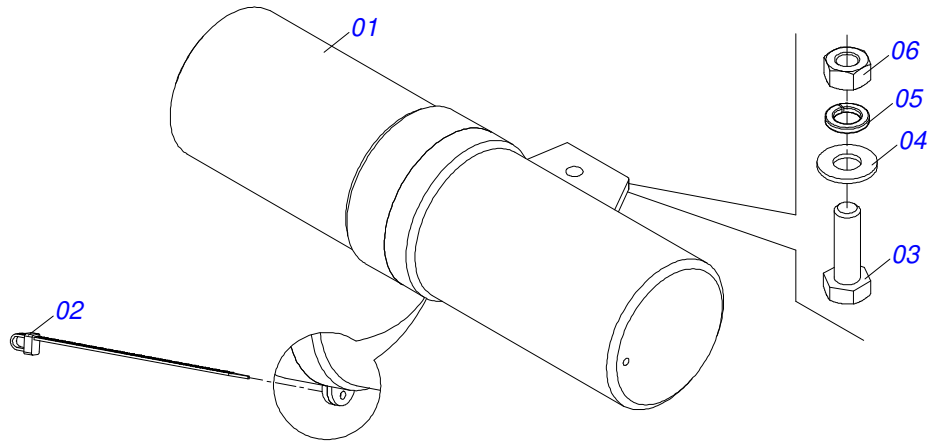
| Item | Code | Description | See page | QT |
|------|------------|--------------|----------|----|
| 01 | 0503062227 | DRAWBAR JACK | | 01 |



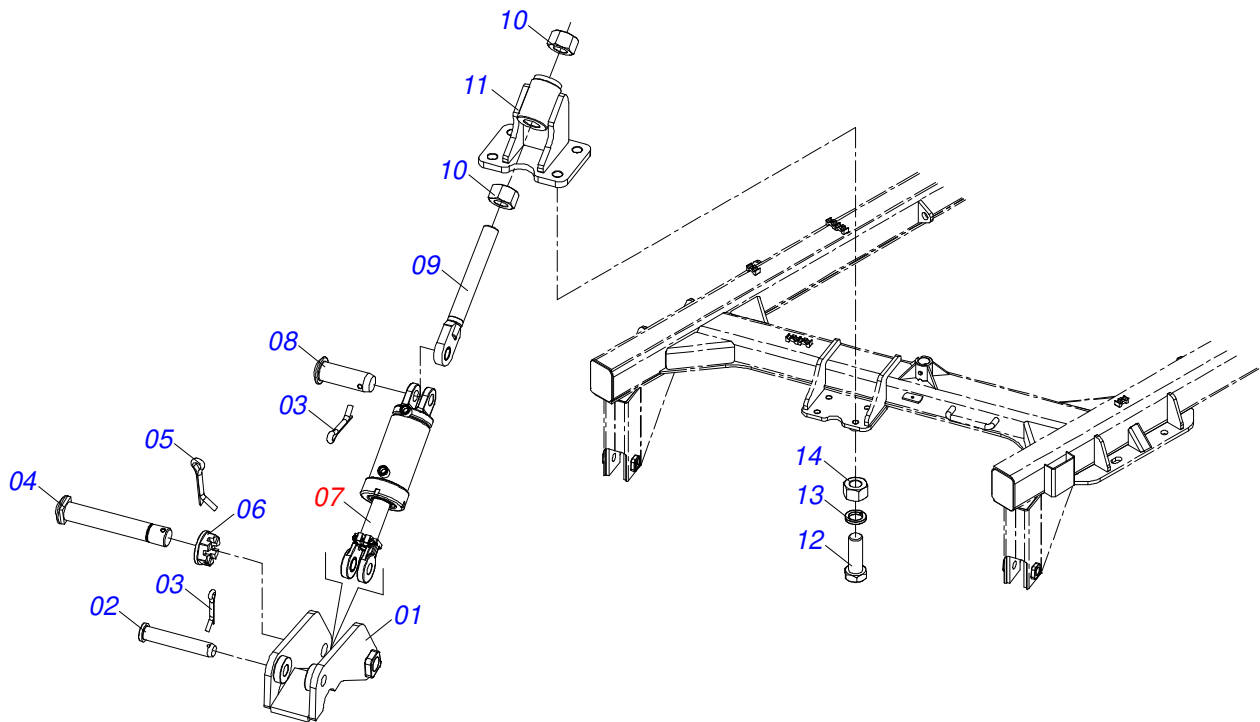
| Item | Code | Description | See page | QT |
|------|------------|---------------------------------|----------|----|
| 01 | 0521065966 | REAR HITCH | | 01 |
| 02 | 0521065965 | FIXER CLAW | | 02 |
| 03 | 0501010064 | 1" X 9" BOLT | | 08 |
| 04 | 0503010012 | 1" SPRING WASHER | | 08 |
| 05 | 0501010059 | 1.5/8 NUT | | 08 |
| 06 | 0503010217 | 501040 CLAMPING RING (FOR AXLE) | | 04 |
| 07 | 0501053835 | FEMALE QUICK COUPLER | 35 | 02 |



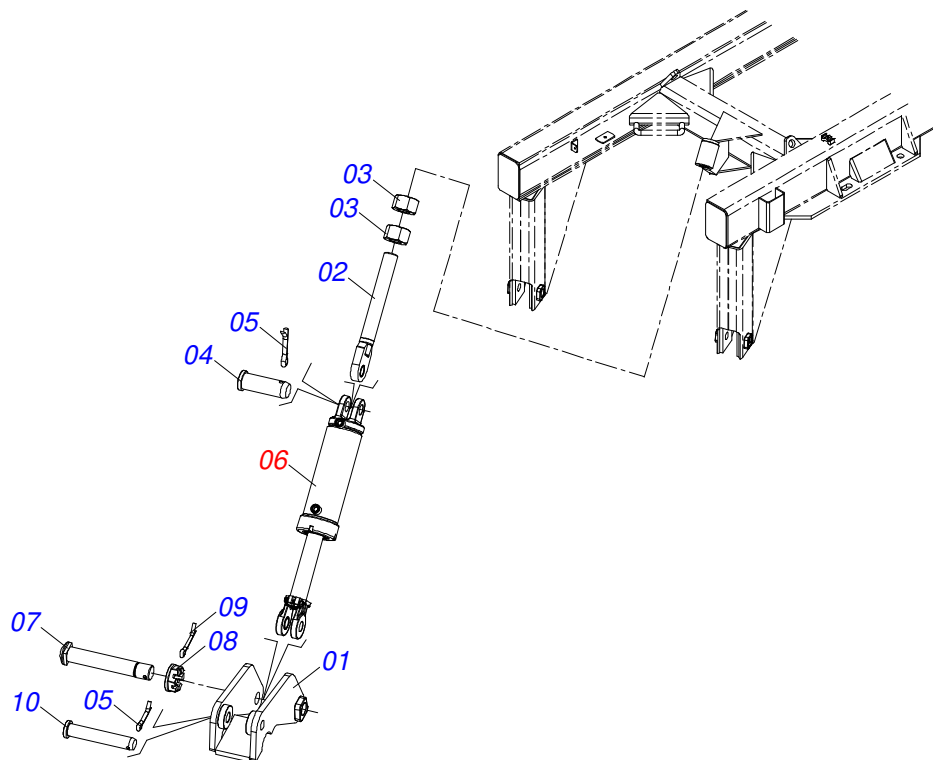
| Item | Code | Description | See page | QT |
|------|------------|------------------------------|----------|----|
| 01 | 0581011745 | VALVE SUPPORT | | 01 |
| 02 | 0503010919 | DISCHARGE VALVE | | 01 |
| 03 | 0503011334 | BOLT 3/8 UNC X 3/4 CS G.5 ZN | | 02 |
| 04 | 0503010025 | 3/8" SPRING WASHER | | 02 |
| 05 | 0503010190 | 2-114 N 3006-9B O'RING | | 04 |
| 06 | 0501010617 | 3/4" NIPPLE | | 04 |



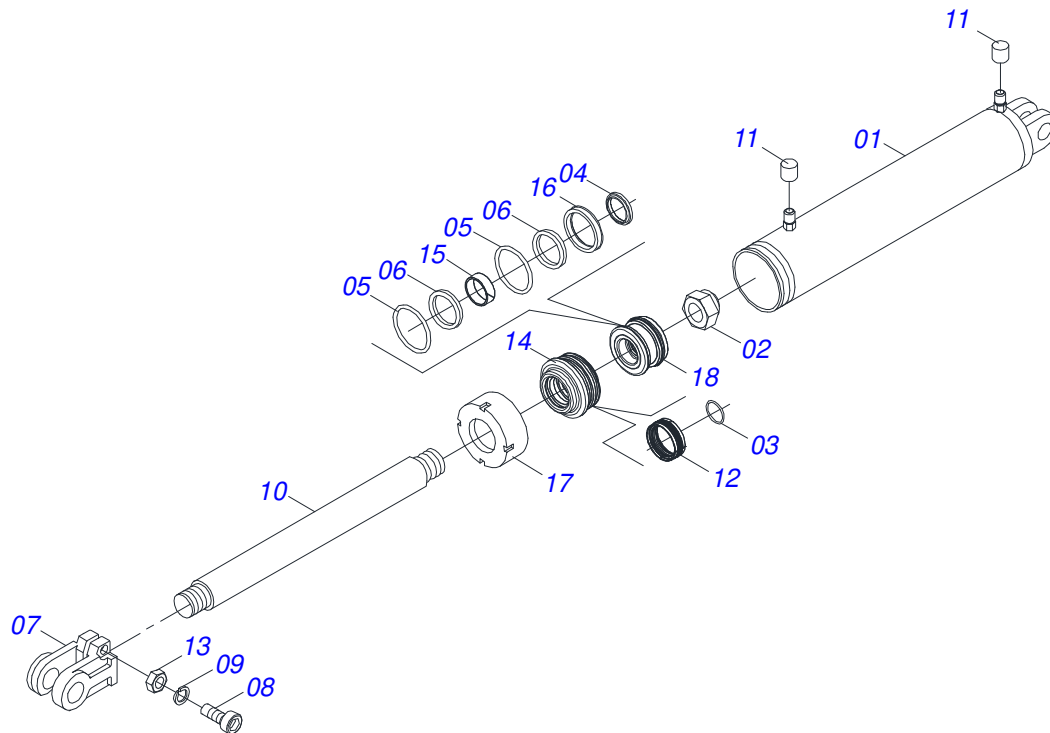
| Item | Code | Description | See page | QT |
|------|------------|--------------------------------|----------|----|
| 01 | 0503060100 | OPERATOR'S MANUAL STORAGE TUBE | | 01 |
| 02 | 0503010267 | NYLON CLAMP | | 01 |
| 03 | 0503010363 | 5/16" X 1" BOLT | | 01 |
| 04 | 0501010694 | FLAT WASHER | | 01 |
| 05 | 0503010179 | LOCK WASHER | | 01 |
| 06 | 0503010337 | 5/16" NUT | | 01 |



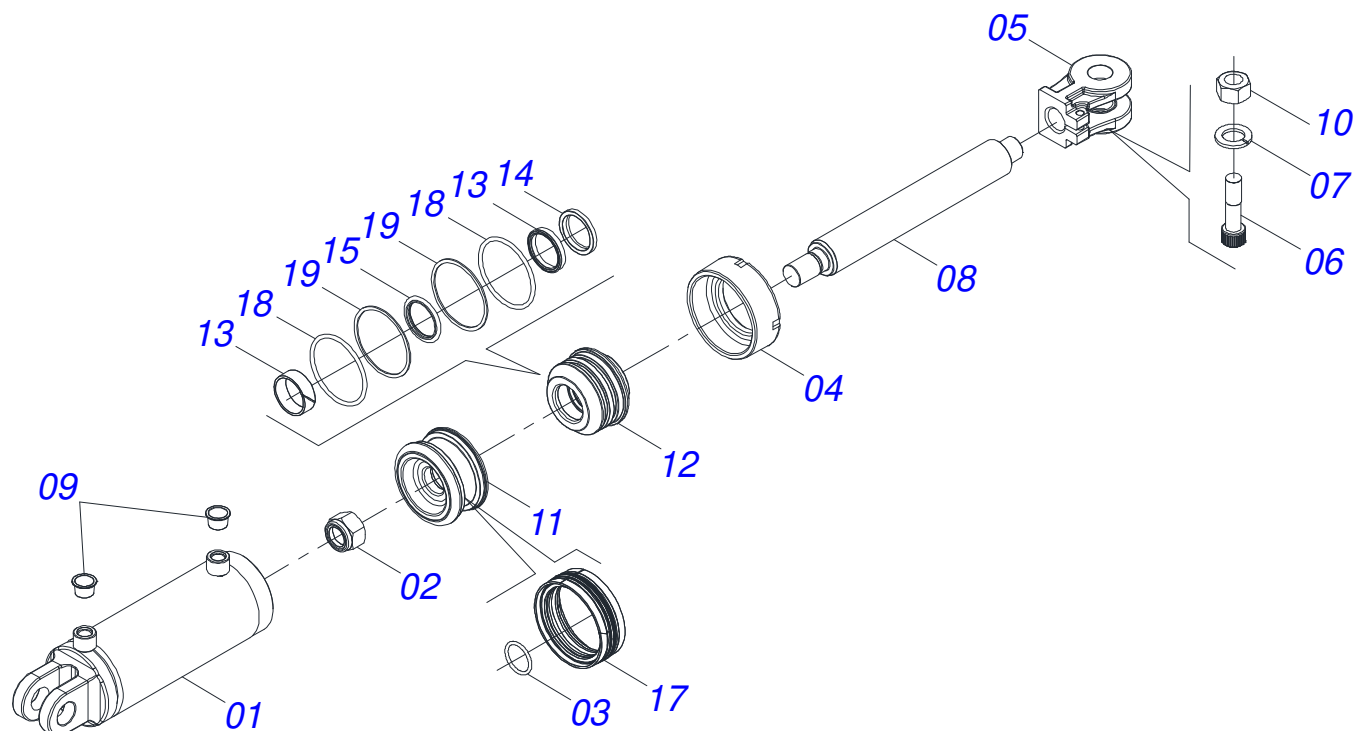
| Item | Code | Description | See page | QT |
|------|------------|---|----------|----|
| 01 | 0511064656 | DRAWBAR PIVOT | | 01 |
| 02 | 0531019171 | 1.25" X 7" COUPLING SHAFT | | 01 |
| 03 | 0503010523 | 1/4" X 2" COTTERPIN | | 02 |
| 04 | 0521812053 | 1.5" X 8.6" AXLE | | 01 |
| 05 | 0503010010 | 1/4" X 2.1/2" COTTERPIN | | 01 |
| 06 | 0501011301 | 1.1/2 UNC 6FPP 2.5/16 NUT | | 01 |
| 07 | 0511058521 | 50,80 X 101,60 X 527 X 165 HYDRAULIC CYLINDER | 16 | 01 |
| 08 | 0521812538 | COUPLING SHAFT | | 01 |
| 09 | 0511064433 | REGULATOR SPINDLE 1-3/4 | | 01 |
| 10 | 0501010333 | 1.3/4" NUT | | 02 |
| 11 | 0521066580 | CYLINDER FIXER | | 01 |
| 12 | 0501010276 | BOLT | | 04 |
| 13 | 0503010012 | 1" SPRING WASHER | | 04 |
| 14 | 0501010059 | 1.5/8 NUT | | 04 |



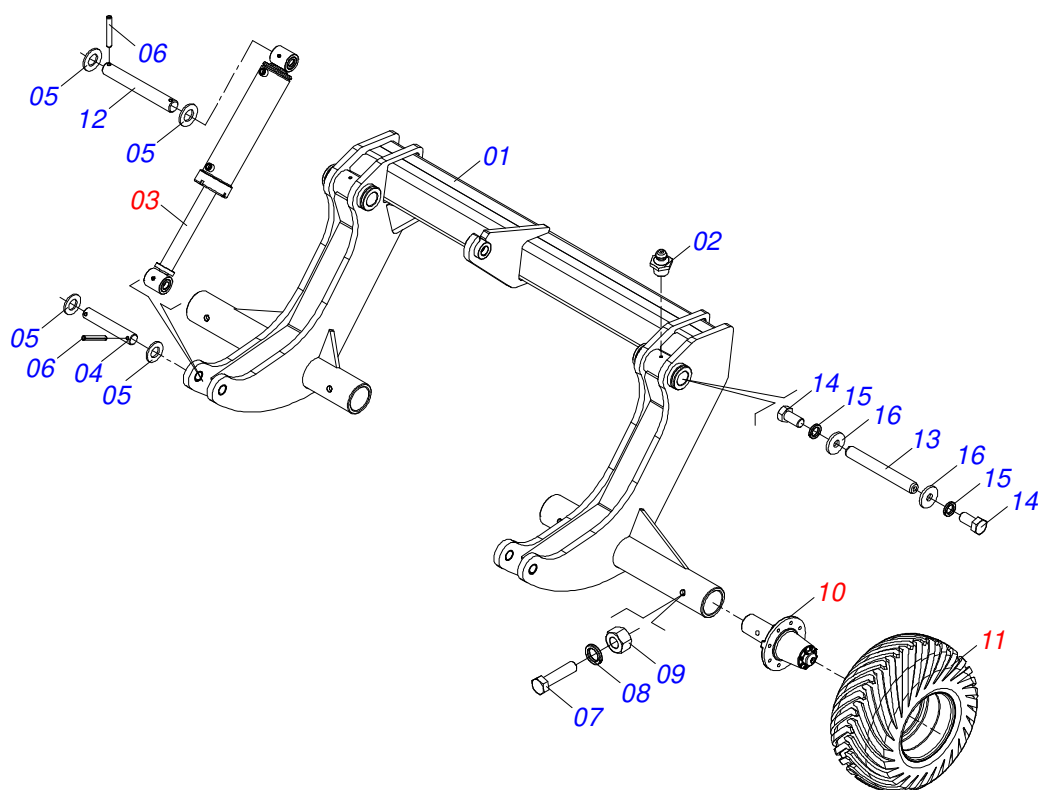
| Item | Code | Description | See page | QT |
|------|------------|---|----------|----|
| 01 | 0511064656 | DRAWBAR PIVOT | | 01 |
| 02 | 0511064433 | REGULATOR SPINDLE 1-3/4 | | 01 |
| 03 | 0501010333 | 1.3/4" NUT | | 02 |
| 04 | 0521012538 | 1.2" X 3.5" COUPLING SHAFT | | 01 |
| 05 | 0503010523 | 1/4" X 2" COTTERPIN | | 02 |
| 06 | 0511058419 | HYDRAULIC CYLINDER 50,80 X 101,60 X 514 X 206 | 15 | 01 |
| 07 | 0521012053 | 1.5" X 8.6" AXLE | | 01 |
| 08 | 0501011301 | 1.1/2 UNC 6FPP 2.5/16 NUT | | 01 |
| 09 | 0503010010 | 1/4" X 2.1/2" COTTERPIN | | 01 |
| 10 | 0531019171 | 1.25" X 7" COUPLING SHAFT | | 01 |



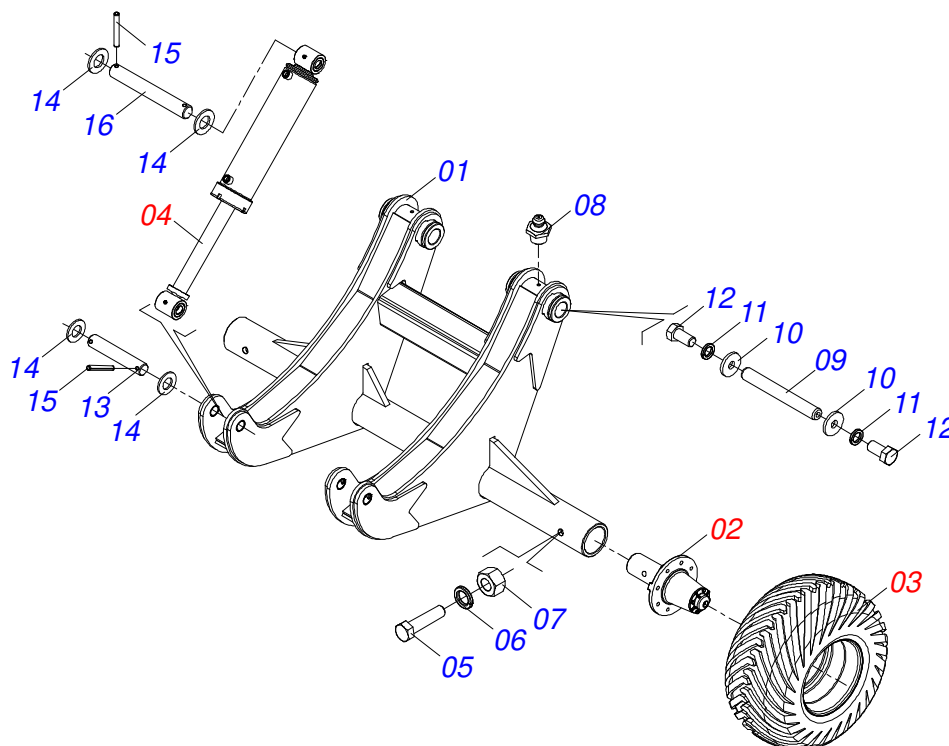
| Item | Code | Description | See page | QT |
|------|-------------|-------------------------------|----------|----|
| 01 | 0511061336 | 101,6 X 398 CYLINDER CASE | | 01 |
| 02 | 0503010817 | 1.1/4" SELF LOCKING NUT | | 01 |
| 03 | 0503010345 | 2-218 N 3006-9B O'RING | | 01 |
| 04 | 0503015636 | SCRAPER SEAL | | 01 |
| 05 | 0503010338 | 2-342 N 3006-9B O'RING | | 02 |
| 06 | 0503011061 | 8-342 BACK-UP RING | | 02 |
| 07 | 0502040747 | 32.54 CLEVIS CLAMP | | 01 |
| 08 | 0503011094 | 3/8" X 2" BOLT | | 01 |
| 09 | 0503011443 | 3/8" SPRING WASHER | | 01 |
| 10 | 0521010422 | HYDRAULIC CYLINDER TURNBUCKLE | | 01 |
| 11 | 0503030384 | CON PLUG N-001 | | 02 |
| 12 | 0503015633 | SELEMASTER SEALING | | 01 |
| 13 | 0503010026 | 3/8" NUT | | 01 |
| 14 | 0581010678 | 50,80 X 101 RING SUPPORT | | 01 |
| 15 | 0503018025 | RING GUIDE | | 01 |
| 16 | 0503018026 | 1870-2000-375 B GASKET | | 01 |
| 17 | 0502012822 | 101.60 END CAP | | 01 |
| 18 | 0502012842 | 50,80 X 101,60 PISTON | | 01 |
| 19 | 0511032511R | HYDRAULIC CYLINDER REPAIR KIT | | 01 |



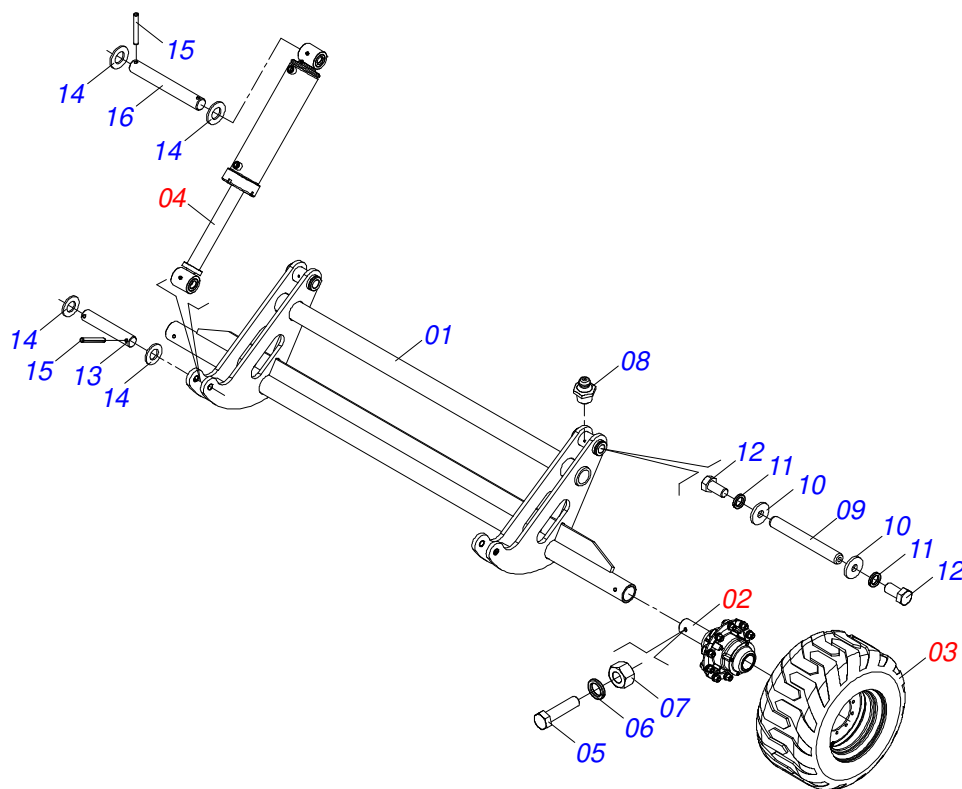
| Item | Code | Description | See page | QT |
|------|-------------|-------------------------------|----------|----|
| 01 | 0521066698 | CYLINDER CASE ASSY | | 01 |
| 02 | 0503010817 | 1.1/4" SELF LOCKING NUT | | 01 |
| 03 | 0503018029 | 2-217 O'RING | | 01 |
| 04 | 0502012822 | 101.60 END CAP | | 01 |
| 05 | 0502040747 | 32.54 CLEVIS CLAMP | | 01 |
| 06 | 0503011094 | 3/8" X 2" BOLT | | 01 |
| 07 | 0503011443 | 3/8" SPRING WASHER | | 01 |
| 08 | 0581011007 | HYDRAULIC CYLINDER TURNBUCKLE | | 01 |
| 09 | 0503030384 | CON PLUG N-001 | | 02 |
| 10 | 0503010026 | 3/8" NUT | | 01 |
| 11 | 0502012820 | 50.80 X 101.60 PISTON | | 01 |
| 12 | 0502012821 | 50.80 X 101.60 RING SUPPORT | | 01 |
| 13 | 0503018025 | RING GUIDE | | 01 |
| 14 | 0503010039 | D-2000 SCRAPER RING | | 01 |
| 15 | 0503018026 | 1870-2000-375 B GASKET | | 01 |
| 16 | 0503018024 | RING BS | | 01 |
| 17 | 0503015633 | SELEMASTER SEALING | | 01 |
| 18 | 0503010338 | 2-342 N 3006-9B O'RING | | 02 |
| 19 | 0503011061 | 8-342 BACK-UP RING | | 02 |
| 20 | 0511032211R | HYDRAULIC CYLINDER REPAIR KIT | | 01 |



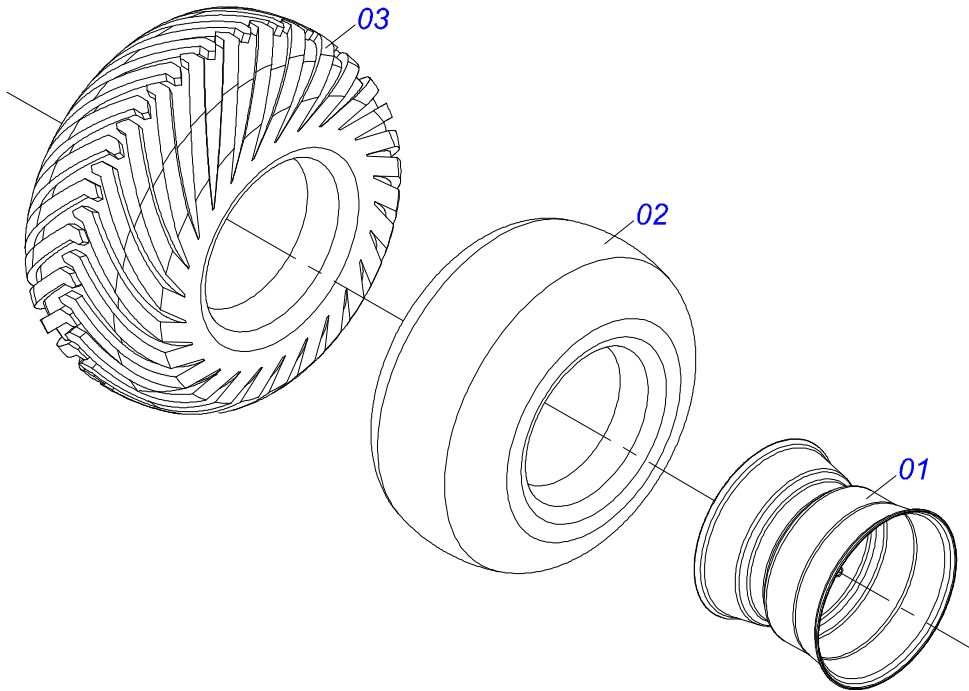
| Item | Code | Description | See page | QT |
|------|------------|---|----------|----|
| 01 | 0521066478 | CARRYNG-WHEELS | | 01 |
| 02 | 0503010002 | 1800 GREASE FITTING | | 02 |
| 03 | 0521051832 | HYDRAULIC CYLINDER 53,98 X 114,30 X 654 X 346 | 24 | 02 |
| 04 | 0531018101 | 1.2" X 6.3" PIVOT SHAFT | | 02 |
| 05 | 0501017779 | 32 X 60 X 4.75 FLAT WASHER | | 08 |
| 06 | 0503011877 | 0.3" X 2.4" SPRING PIN | | 08 |
| 07 | 0503011198 | C3/4" X 6" SCREW | | 02 |
| 08 | 0503010023 | 3/4" SPRING WASHER | | 02 |
| 09 | 0503010014 | 3/4" NUT | | 02 |
| 10 | 0501056467 | STUB SHAFT & HUB ASSY | 23 | 02 |
| 10. | 0531051143 | WHEEL WITHOUT TIRE 11.25INX8.62INX10F (HOLE 50) | | 04 |
| 11 | 0503060102 | WHEEL AND TIRE | 20 | 02 |
| 12 | 0531018105 | 1.2" X 11.8" PIVOT SHAFT | | 02 |
| 13 | 0531018062 | COUPLING SHAFT | | 02 |
| 14 | 0503011250 | 1" X 2" BOLT | | 04 |
| 15 | 0503010012 | 1" SPRING WASHER | | 04 |
| 16 | 0521011565 | FLAT WASHER | | 04 |



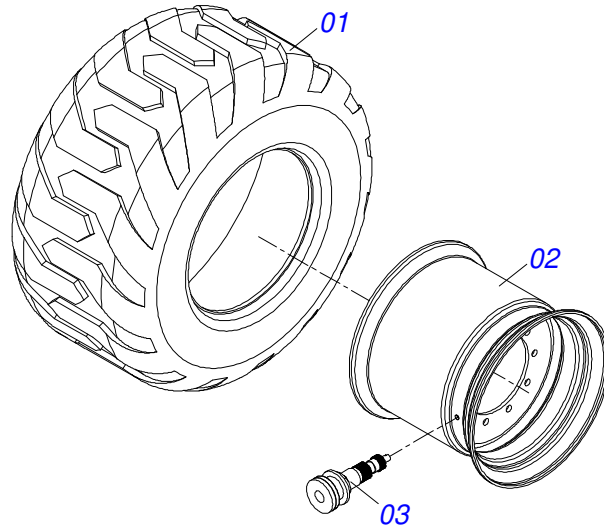
| Item | Code | Description | See page | QT |
|------|------------|---|----------|----|
| 01 | 0521068368 | CARRYING-WHEELS SUPPORT | | 01 |
| 02 | 0503060102 | WHEEL AND TIRE | 20 | 02 |
| 03 | 0501056467 | STUB SHAFT & HUB ASSY | 23 | 02 |
| 04 | 0521051832 | HYDRAULIC CYLINDER 53,98 X 114,30 X 654 X 346 | 24 | 02 |
| 05 | 0503011198 | C3/4" X 6" SCREW | | 02 |
| 06 | 0503010023 | 3/4" SPRING WASHER | | 02 |
| 07 | 0503010014 | 3/4" NUT | | 02 |
| 08 | 0503010002 | 1800 GREASE FITTING | | 02 |
| 09 | 0531018062 | COUPLING SHAFT | | 02 |
| 10 | 0521011565 | FLAT WASHER | | 04 |
| 11 | 0503010012 | 1" SPRING WASHER | | 04 |
| 12 | 0503011250 | 1" X 2" BOLT | | 04 |
| 13 | 0531018101 | 1.2" X 6.3" PIVOT SHAFT | | 02 |
| 14 | 0501017779 | 32 X 60 X 4.75 FLAT WASHER | | 08 |
| 15 | 0503011877 | 0.3" X 2.4" SPRING PIN | | 08 |
| 16 | 0531018105 | 1.2" X 11.8" PIVOT SHAFT | | 02 |



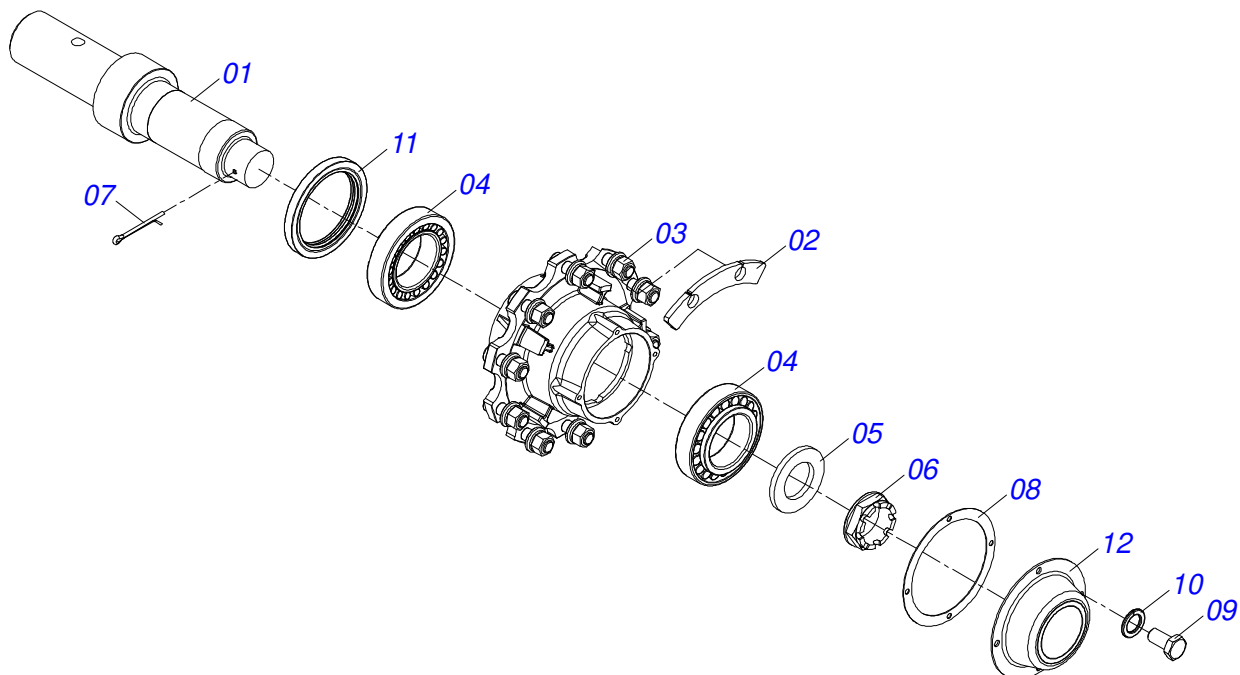
| Item | Code | Description | See page | QT |
|------|------------|---|----------|----|
| 01 | 0521065289 | CARRYING-WHEELS | | 01 |
| 02 | 0501057120 | WHEEL WITHOUT TIRE | 22 | 02 |
| 03 | 0503062172 | WHEEL AND TIRE ASSY | 21 | 02 |
| 04 | 0521051832 | HYDRAULIC CYLINDER 53,98 X 114,30 X 654 X 346 | 24 | 02 |
| 05 | 0503011198 | C3/4" X 6" SCREW | | 02 |
| 06 | 0503010023 | 3/4" SPRING WASHER | | 02 |
| 07 | 0503010014 | 3/4" NUT | | 02 |
| 08 | 0503010002 | 1800 GREASE FITTING | | 02 |
| 09 | 0531018062 | COUPLING SHAFT | | 02 |
| 10 | 0521011565 | FLAT WASHER | | 04 |
| 11 | 0503010012 | 1" SPRING WASHER | | 04 |
| 12 | 0503011250 | 1" X 2" BOLT | | 04 |
| 13 | 0531018101 | 1.2" X 6.3" PIVOT SHAFT | | 02 |
| 14 | 0501017779 | 32 X 60 X 4.75 FLAT WASHER | | 08 |
| 15 | 0503011877 | 0.3" X 2.4" SPRING PIN | | 08 |
| 16 | 0531018105 | 1.2" X 11.8" PIVOT SHAFT | | 02 |



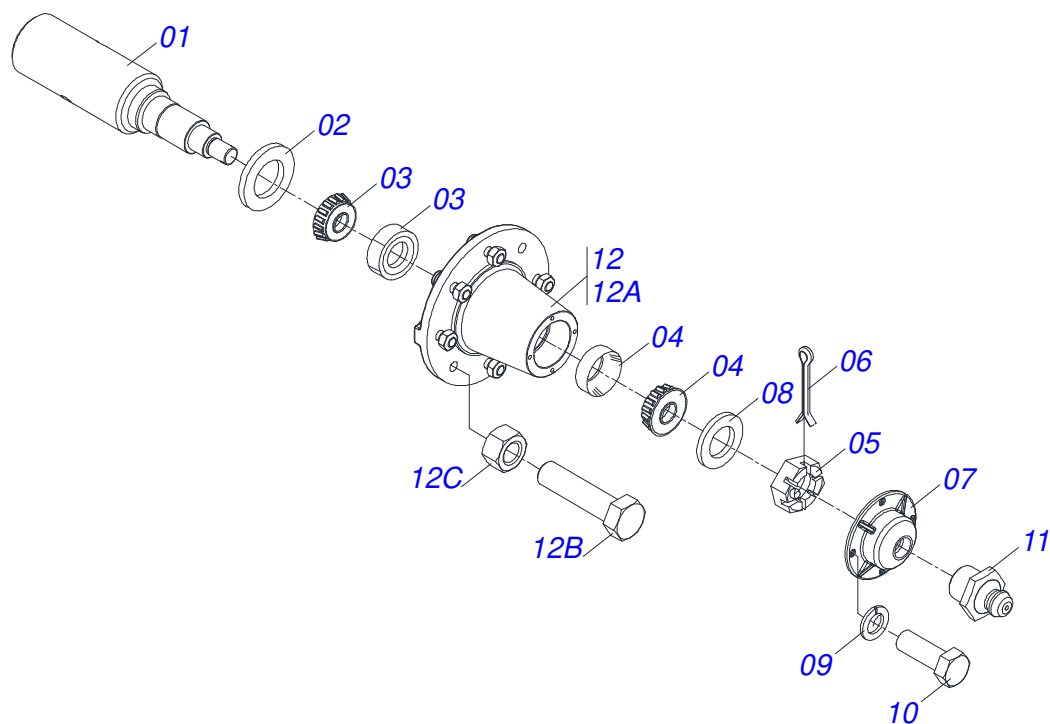
| Item | Code | Description | See page | QT |
|------|------------|--------------------------------|----------|----|
| 01 | 0501069483 | WHEEL | | 01 |
| 02 | 0503012112 | 400/60 - 15.5 TR 15 INNER TIRE | | 01 |
| 03 | 0503013119 | CANVAS TIRE | | 01 |



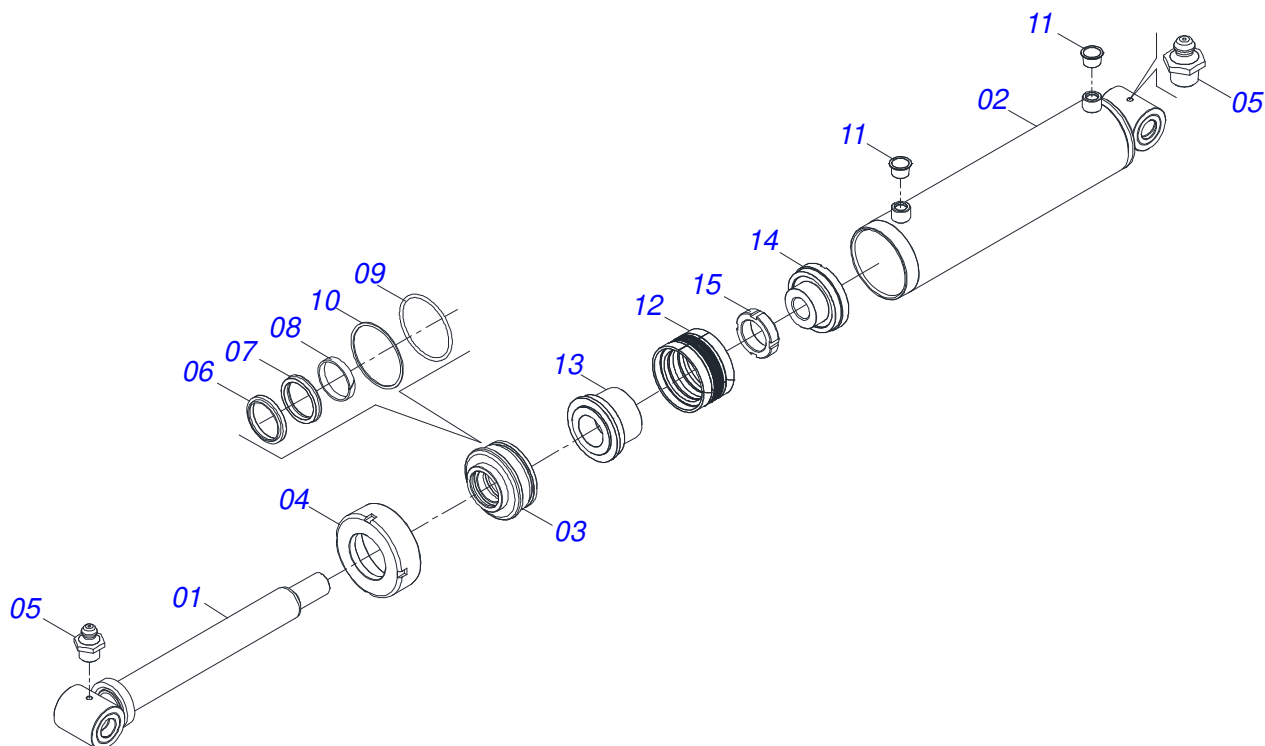
| Item | Code | Description | See page | QT |
|------|------------|--------------------------------|----------|----|
| 01 | 0503015483 | TIRE 600/50-22.5 TL T404 168A8 | | 01 |
| 02 | 0503015989 | FULL WHEEL | | 01 |
| 03 | 0503013999 | VALVE | | 01 |



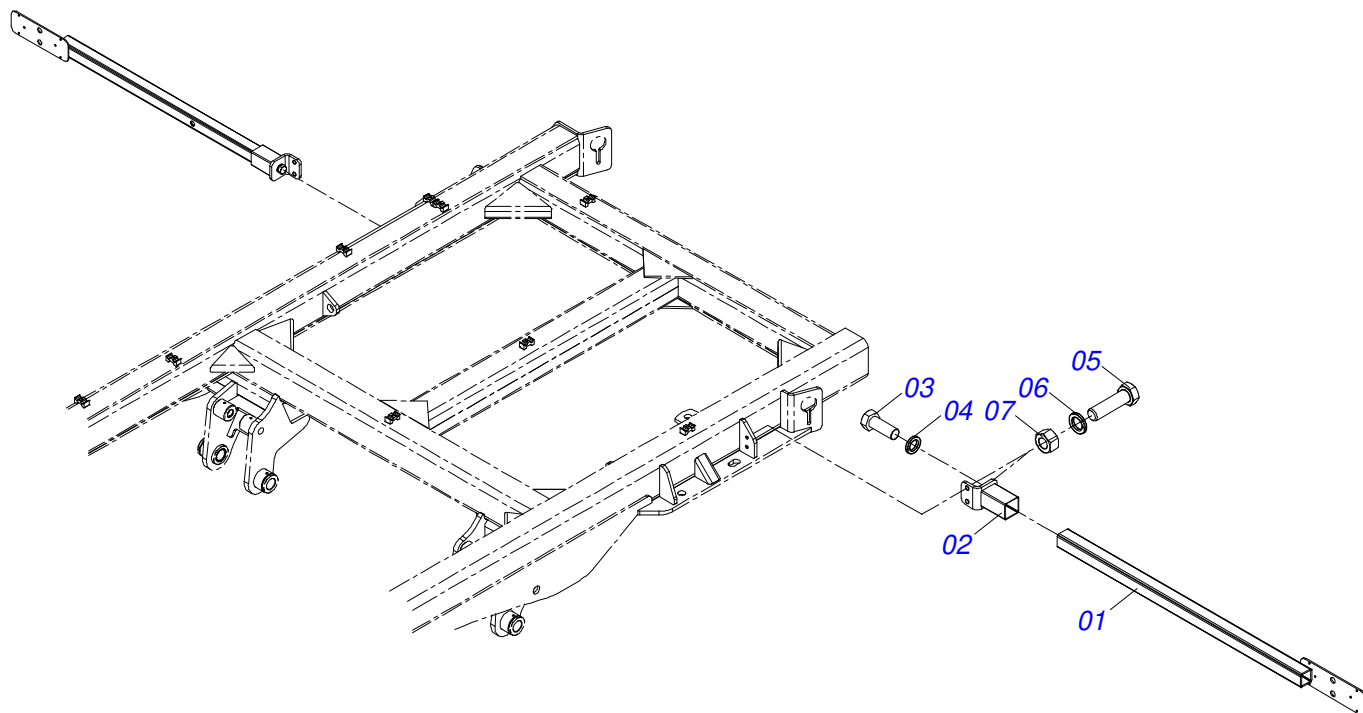
| Item | Code | Description | See page | QT |
|------|------------|-------------------------------|----------|----|
| 01 | 0551011426 | POINT AXIS R2.1/2UN | | 01 |
| 02 | 0561015521 | FLANGE | | 05 |
| 03 | 0501110761 | HUB AND BOLT | | 01 |
| 04 | 0503010118 | 32218 BEARING | | 02 |
| 05 | 0531019986 | 64 X 110 X 9.5 FLAT WASHER | | 01 |
| 06 | 0502040080 | FLANGE NUT R.2.1/2 UN | | 01 |
| 07 | 0503012213 | 1/4" COTTERPIN | | 01 |
| 08 | 0503013548 | JOINT CORK | | 01 |
| 09 | 0503013546 | BOLT SX MA5,8 M10X1,5X20ZA DI | | 04 |
| 10 | 0503013542 | M10 SPRING WASHER | | 04 |
| 11 | 0503013541 | RETAINER | | 01 |
| 12 | 0503013549 | HUB COVER | | 01 |



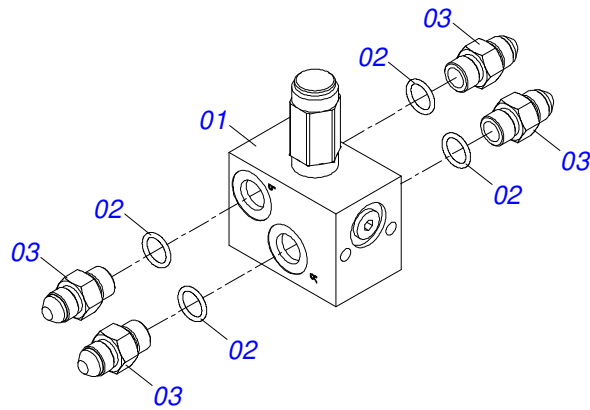
| Item | Code | Description | See page | QT |
|------|------------|---------------------------------------|----------|----|
| 01 | 0541016566 | POINT AXIS 3.1/2 X 375 | | 01 |
| 02 | 0503013314 | RETAINER 5166-GB 63,5 X 110 X 13 ARCA | | 01 |
| 03 | 0503015290 | 3780/3720 ROLLER BEARING | | 01 |
| 04 | 0503014821 | ROLLER BEARING | | 01 |
| 05 | 0503830009 | 1" X 0.9" CASTLE NUT | | 01 |
| 06 | 0503010018 | 5/32 X 1-1/2 COTTERPIN | | 01 |
| 07 | 0502020591 | PROTECCION COVER | | 01 |
| 08 | 0511812492 | FLAT WASHER | | 01 |
| 09 | 0503011444 | SPRING WASHER | | 04 |
| 10 | 0503810358 | 5/16" X 7/8" UNC BOLT | | 04 |
| 11 | 0503010002 | 1800 GREASE FITTING | | 01 |
| 12 | 0501110738 | CARRYING WHEEL HUB | | 01 |
| 12A | 0502012260 | TRANSPORT WHEEL BOX | | 01 |
| 12B | 0501010186 | WHEEL SCREW 5/8UNF X 2.1/8CR | | 08 |
| 12C | 0503010064 | 5/8 UNF CONIC NUT | | 08 |



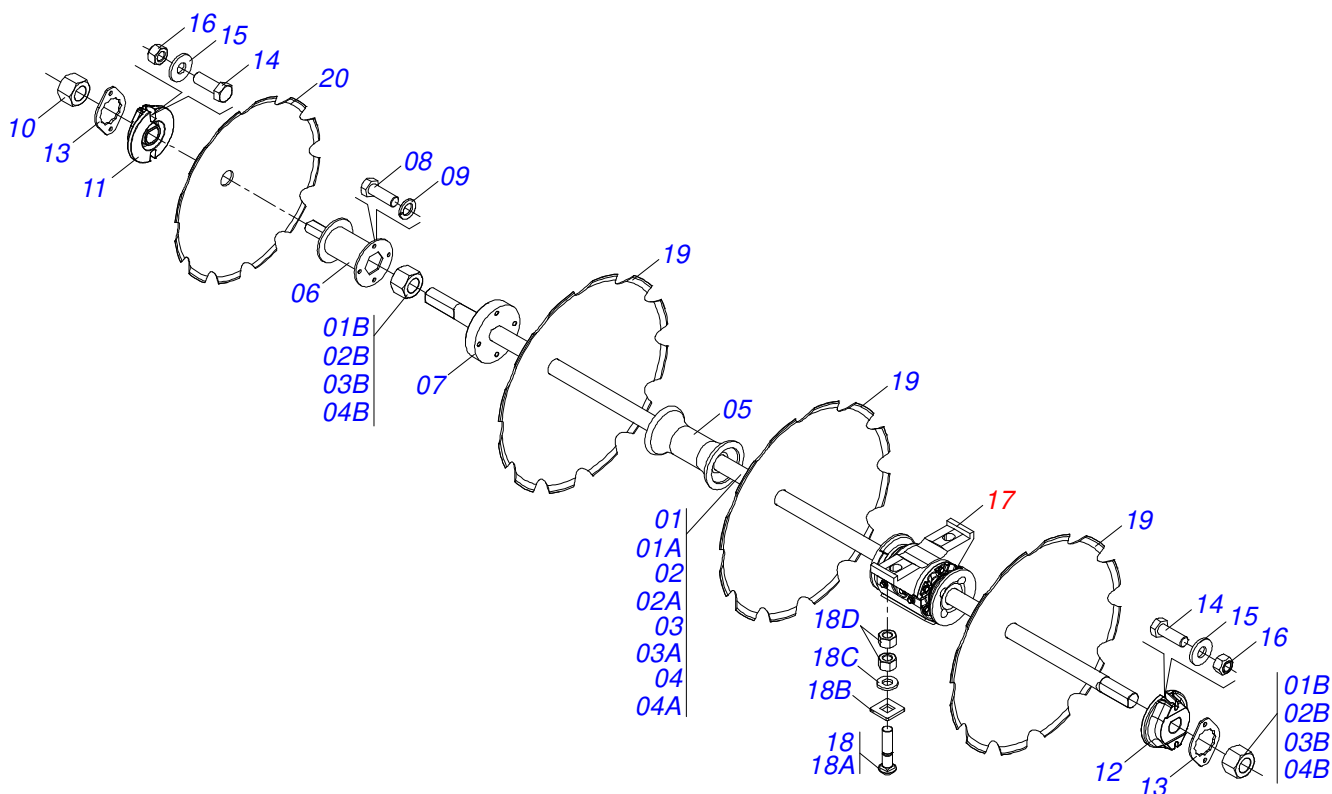
| Item | Code | Description | See page | QT |
|------|------------|-------------------------------|----------|----|
| 01 | 0521061684 | 56,98 X 590,50 TURNBUCKLE | | 01 |
| 02 | 0521061685 | 114,30 X 500 CYLINDER CASE | | 01 |
| 03 | 0502012644 | RING SUPPORT | | 01 |
| 04 | 0502011222 | 0.56" END CAP | | 01 |
| 05 | 0503010002 | 1800 GREASE FITTING | | 02 |
| 06 | 0503015715 | SCRAPER SEALING | | 01 |
| 07 | 0503015642 | U-CUP SEALING | | 01 |
| 08 | 0503015641 | WEAR RING | | 00 |
| 09 | 0503011892 | O' RING, 2-346 N 3006-9B | | 01 |
| 10 | 0503011893 | BACK-UP RING, 8-346 | | 01 |
| 11 | 0503030384 | CON PLUG N-001 | | 02 |
| 12 | 0503015640 | SEALING SELEMASTER | | 01 |
| 13 | 0561016578 | PISTON BODY | | 01 |
| 14 | 0581015283 | BODY | | 01 |
| 15 | 0503819100 | SCREW | | 01 |
| 16 | 0501038027 | HYDRAULIC CYLINDER REPAIR KIT | | 01 |



| Item | Code | Description | See page | QT |
|------|------------|-----------------------|----------|----|
| 01 | 0521066443 | SUPPORT FIXER LANTERN | | 02 |
| 02 | 0521066624 | FIXER SUPPORT LANTERN | | 02 |
| 03 | 0501010098 | 3/4" UNC BOLT | | 02 |
| 04 | 0503010023 | 3/4" SPRING WASHER | | 02 |
| 05 | 0503011082 | C1/2" X 1.3/4" SCREW | | 04 |
| 06 | 0503010019 | 1/2" SPRING WASHER | | 04 |
| 07 | 0503010060 | 1/2" NUT | | 04 |



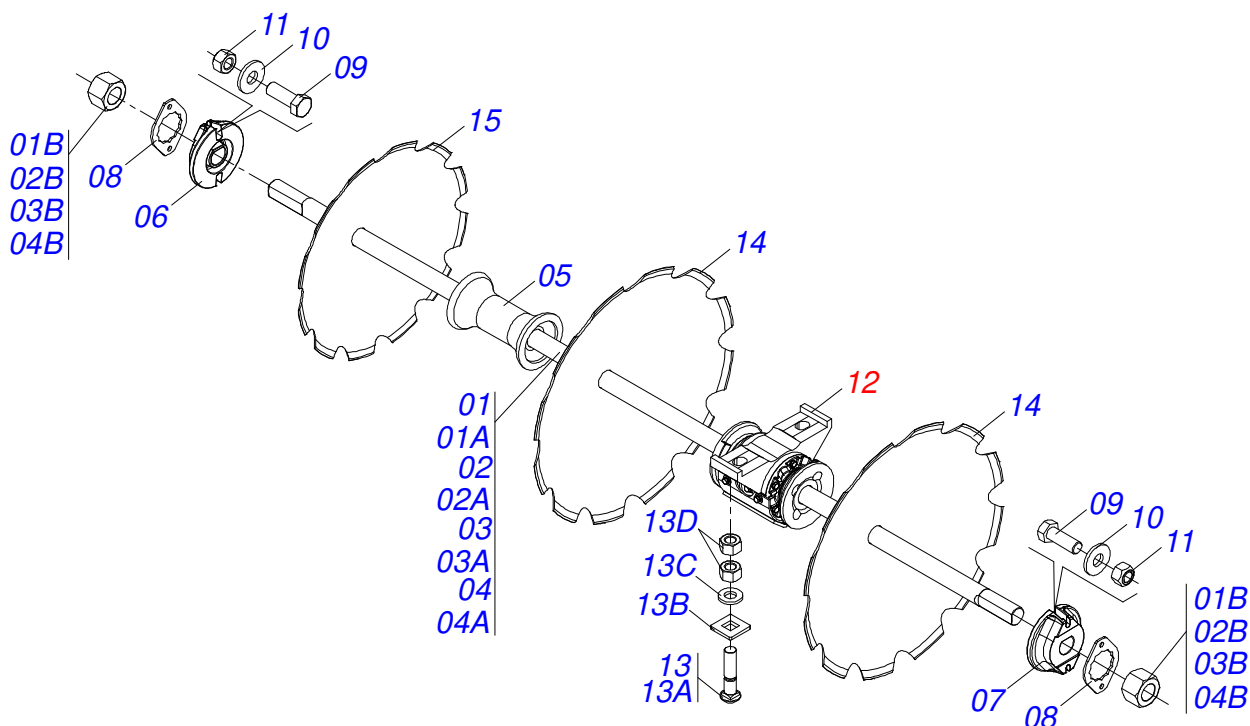
| Item | Code | Description | See page | QT |
|------|------------|------------------------|----------|----|
| 001 | 0503010919 | DISCHARGE VALVE | | 01 |
| 002 | 0503010190 | 2-114 N 3006-9B O'RING | | 04 |
| 003 | 0501010617 | 3/4" NIPPLE | | 04 |



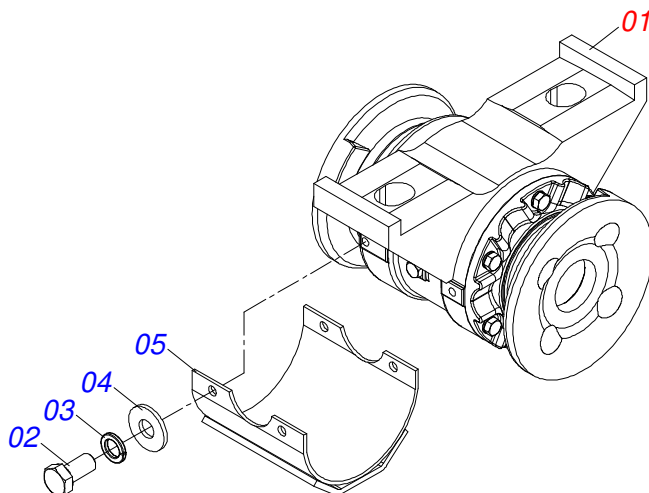
| Item | Code | Description | See page | 021 | 023 | 024 | 025 | 027 | 029 | 031 |
|------|------------|-------------------------------|----------|-----|-----|-----|-----|-----|-----|-----|
| 01 | 0511042484 | 2-1/2" X 78" AXLE WITH NUTS | | 001 | 003 | 004 | 003 | 001 | 000 | 000 |
| 01A | 0541012129 | 2-1/2" X 78" AXLE | | 001 | 003 | 004 | 003 | 001 | 000 | 000 |
| 01B | 0502040064 | 2.1/2"SNC X 70 99 NUT | | 002 | 006 | 008 | 006 | 002 | 000 | 000 |
| 02 | 0511042483 | 2-1/2" X 65" AXLE WITH NUTS | | 003 | 001 | 000 | 000 | 000 | 000 | 000 |
| 02A | 0541012128 | 2-1/2" X 65" AXLE WITH NUTS | | 003 | 001 | 000 | 000 | 000 | 000 | 000 |
| 02B | 0502040064 | 2.1/2"SNC X 70 99 NUT | | 006 | 002 | 000 | 000 | 000 | 000 | 000 |
| 03 | 0511042421 | 2-1/2" X 91.7" AXLE WITH NUTS | | 000 | 000 | 000 | 001 | 003 | 003 | 001 |
| 03A | 0541011893 | 2-1/2" X 91.7" AXLE | | 000 | 000 | 000 | 001 | 003 | 003 | 001 |
| 03B | 0502040064 | 2.1/2"SNC X 70 99 NUT | | 000 | 000 | 000 | 002 | 006 | 006 | 002 |
| 04 | 0511042422 | 2-1/2" X 105" AXLE WITH NUTS | | 000 | 000 | 000 | 000 | 000 | 001 | 003 |
| 04A | 0541011894 | 2-1/2" X 105" AXLE | | 000 | 000 | 000 | 000 | 000 | 001 | 003 |
| 04B | 0502040064 | 2.1/2"SNC X 70 99 NUT | | 000 | 000 | 000 | 000 | 000 | 002 | 006 |
| 05 | 0502011425 | 13" X 2-1/2" SPACER | | 009 | 011 | 012 | 013 | 015 | 017 | 019 |
| 06 | 0521068366 | SPACER FURROW FILLER FOR AXLE | | 000 | 000 | 001 | 000 | 000 | 000 | 000 |
| 07 | 0581016076 | EXTERNAL LOCK AXIS | | 000 | 000 | 001 | 000 | 000 | 000 | 000 |
| 08 | 0501010098 | 3/4" UNC BOLT | | 000 | 000 | 004 | 000 | 000 | 000 | 000 |
| 09 | 0503010023 | 3/4" SPRING WASHER | | 000 | 000 | 004 | 000 | 000 | 000 | 000 |
| 10 | 0502040064 | 2.1/2"SNC X 70 99 NUT | | 000 | 000 | 001 | 000 | 000 | 000 | 000 |
| 11 | 0502010593 | 2-1/2" EXTERNAL AXLE WASHER | | 004 | 004 | 004 | 004 | 004 | 004 | 004 |
| 12 | 0502010592 | 2-1/2" INNER AXLE WASHER | | 004 | 004 | 004 | 004 | 004 | 004 | 004 |
| 13 | 0541010368 | NUT LOCK | | 008 | 008 | 008 | 008 | 008 | 008 | 008 |
| 14 | 0503010232 | 5/8" X 1.3/4" BOLT | | 016 | 016 | 016 | 016 | 016 | 016 | 016 |
| 15 | 0501012140 | FLAT WASHER | | 016 | 016 | 016 | 016 | 016 | 016 | 016 |
| 16 | 0503012412 | 5/8 UNC SELF LOCKING NUT | | 016 | 016 | 016 | 016 | 016 | 016 | 016 |
| 17 | 0511042290 | 13" X 2-1/2" OIL BATH BEARING | 29 | 008 | 008 | 008 | 008 | 008 | 008 | 008 |
| 18 | 0501041301 | 1-1/4"X 5-3/4" ASSY BOLT | | 016 | 016 | 016 | 016 | 016 | 016 | 016 |
| 18A | 0501010954 | 1-1/4" X 5-3/4" BOLT | | 016 | 016 | 016 | 016 | 016 | 016 | 016 |
| 18B | 0501010953 | 1-1/4" SQUARE WASHER | | 016 | 016 | 016 | 016 | 016 | 016 | 016 |
| 18C | 0531010713 | FLAT WASHER | | 016 | 016 | 016 | 016 | 016 | 016 | 016 |
| 18D | 0501010087 | 1.1/4" NUT | | 032 | 032 | 032 | 032 | 032 | 032 | 032 |
| 19 | 0602044033 | 32 X 9MM NOTCHED DISC | | 020 | 022 | 000 | 001 | 026 | 028 | 030 |



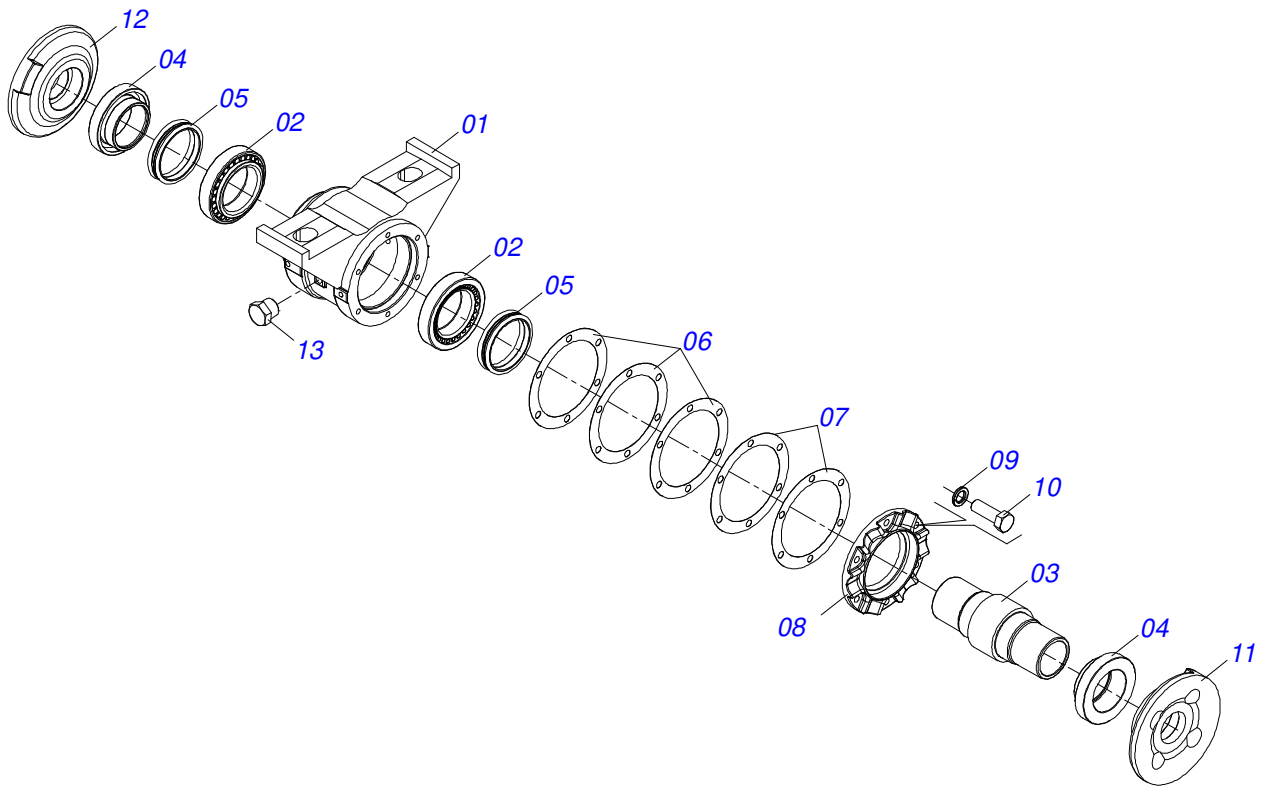
| Item | Code | Description | See page | 021 | 023 | 024 | 025 | 027 | 029 | 031 |
|-------|------------|-------------------------------------|----------|-----|-----|-----|-----|-----|-----|-----|
| 19. | 0602046001 | 34" X 0.3" NOTCHED DISC BLADE | | 020 | 000 | 024 | 024 | 026 | 028 | 030 |
| 19.. | 0602048063 | 36" X 0.3" NOTCHED DISC BLADE | | 020 | 022 | 000 | 024 | 026 | 014 | 000 |
| 19... | 0602048004 | NOTCHED DISC BLADE | | 000 | 000 | 000 | 000 | 000 | 014 | 030 |
| 20 | 0602037127 | DR28X9 C102AF04FR2.9/16 10REC TATU | | 001 | 000 | 000 | 001 | 001 | 001 | 001 |
| 20. | 0602040108 | 30" X 0.3" NOTCHED DISC BLADE | | 001 | 001 | 000 | 001 | 001 | 001 | 001 |
| 20.. | 0602040072 | DR30X9 C109AF04FR2.9/16 10REC NICOL | | 000 | 000 | 001 | 000 | 000 | 000 | 000 |



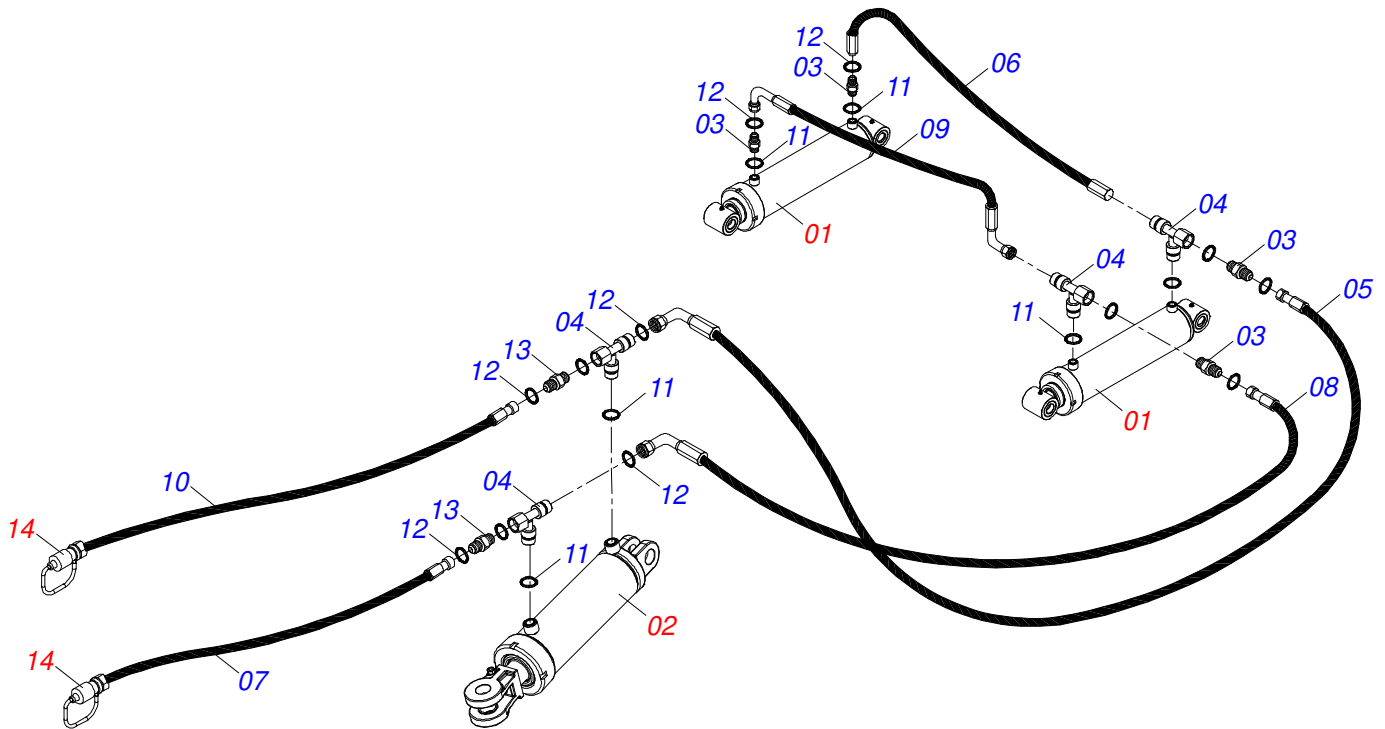
| Item | Code | Description | See page | 033 | 035 | 037 | 039 | 041 | 045 |
|------|------------|------------------------------------|----------|-----|-----|-----|-----|-----|-----|
| 01 | 0511042484 | 2-1/2" X 78" AXLE WITH NUTS | | 000 | 000 | 005 | 003 | 002 | 000 |
| 01A | 0541012129 | 2-1/2" X 78" AXLE | | 000 | 000 | 005 | 003 | 002 | 000 |
| 01B | 0502040064 | 2.1/2"SNC X 70 99 NUT | | 000 | 000 | 010 | 006 | 004 | 000 |
| 02 | 0521040322 | AXLE 2.1/2 X 3010 | | 001 | 003 | 000 | 000 | 000 | 000 |
| 02A | 0571010424 | AXLE 2.1/2 X 2995 | | 001 | 003 | 000 | 000 | 000 | 000 |
| 02B | 0502040064 | 2.1/2"SNC X 70 99 NUT | | 002 | 006 | 000 | 000 | 000 | 000 |
| 03 | 0511042421 | 2-1/2" X 91.7" AXLE WITH NUTS | | 000 | 000 | 001 | 003 | 003 | 003 |
| 03A | 0541011893 | 2-1/2" X 91.7" AXLE | | 000 | 000 | 001 | 003 | 003 | 003 |
| 03B | 0502040064 | 2.1/2"SNC X 70 99 NUT | | 000 | 000 | 002 | 006 | 006 | 006 |
| 04 | 0511042422 | 2-1/2" X 105" AXLE WITH NUTS | | 003 | 001 | 000 | 000 | 001 | 003 |
| 04A | 0541011894 | 2-1/2" X 105" AXLE | | 003 | 001 | 000 | 000 | 001 | 003 |
| 04B | 0502040064 | 2.1/2"SNC X 70 99 NUT | | 006 | 002 | 000 | 000 | 002 | 006 |
| 05 | 0502011425 | 13" X 2-1/2" SPACER | | 021 | 023 | 019 | 020 | 023 | 027 |
| 06 | 0502010593 | 2-1/2" EXTERNAL AXLE WASHER | | 004 | 004 | 006 | 006 | 006 | 006 |
| 07 | 0502010592 | 2-1/2" INNER AXLE WASHER | | 004 | 004 | 006 | 006 | 006 | 006 |
| 08 | 0541010368 | NUT LOCK | | 008 | 008 | 012 | 012 | 012 | 012 |
| 09 | 0503010232 | 5/8" X 1.3/4" BOLT | | 016 | 016 | 024 | 024 | 024 | 024 |
| 10 | 0501012140 | FLAT WASHER | | 016 | 016 | 024 | 024 | 024 | 024 |
| 11 | 0503012412 | 5/8 UNC SELF LOCKING NUT | | 016 | 016 | 024 | 024 | 024 | 024 |
| 12 | 0511042290 | 13" X 2-1/2" OIL BATH BEARING | 29 | 008 | 008 | 012 | 012 | 012 | 012 |
| 13 | 0501041301 | 1-1/4"X 5-3/4" ASSY BOLT | | 016 | 016 | 024 | 024 | 024 | 024 |
| 13A | 0501010954 | 1-1/4" X 5-3/4" BOLT | | 016 | 016 | 024 | 024 | 024 | 024 |
| 13B | 0501010953 | 1-1/4" SQUARE WASHER | | 016 | 016 | 024 | 024 | 024 | 024 |
| 13C | 0531010713 | FLAT WASHER | | 016 | 016 | 024 | 024 | 024 | 024 |
| 13D | 0501010087 | 1.1/4" NUT | | 032 | 032 | 048 | 048 | 048 | 048 |
| 14 | 0602044033 | 32 X 9MM NOTCHED DISC | | 032 | 034 | 036 | 038 | 040 | 044 |
| 14. | 0602046001 | 34" X 0.3" NOTCHED DISC BLADE | | 032 | 034 | 036 | 038 | 040 | 044 |
| 14.. | 0602048063 | 36" X 0.3" NOTCHED DISC BLADE | | 032 | 034 | 036 | 038 | 040 | 044 |
| 15 | 0602037127 | DR28X9 C102AF04FR2.9/16 10REC TATU | | 001 | 001 | 001 | 001 | 001 | 000 |
| 15. | 0602040108 | 30" X 0.3" NOTCHED DISC BLADE | | 001 | 001 | 001 | 001 | 001 | 001 |
| 15.. | 0602037127 | DR28X9 C102AF04FR2.9/16 10REC TATU | | 000 | 000 | 000 | 000 | 000 | 001 |



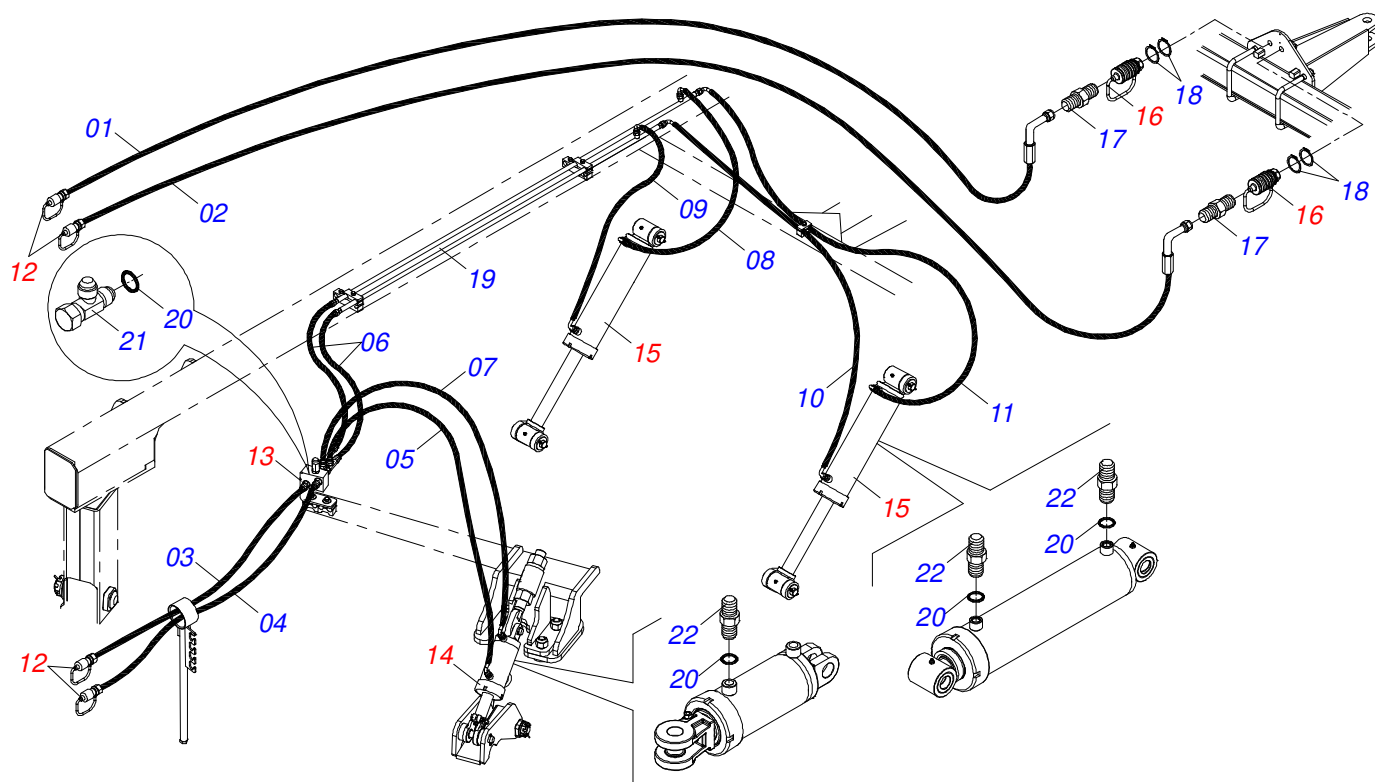
| Item | Code | Description | See page | QT |
|------|------------|---|----------|----|
| 01 | 0511045349 | AGRICULTURAL BEARING | 30 | 01 |
| 02 | 0503010834 | 1/2 X 1 BOLT | | 04 |
| 03 | 0503010019 | 1/2" SPRING WASHER | | 04 |
| 04 | 0511017302 | FLAT WASHER | | 04 |
| 05 | 0521067034 | BEARING PROTECTIVE COVER WITH REINFORCEMENT | | 01 |



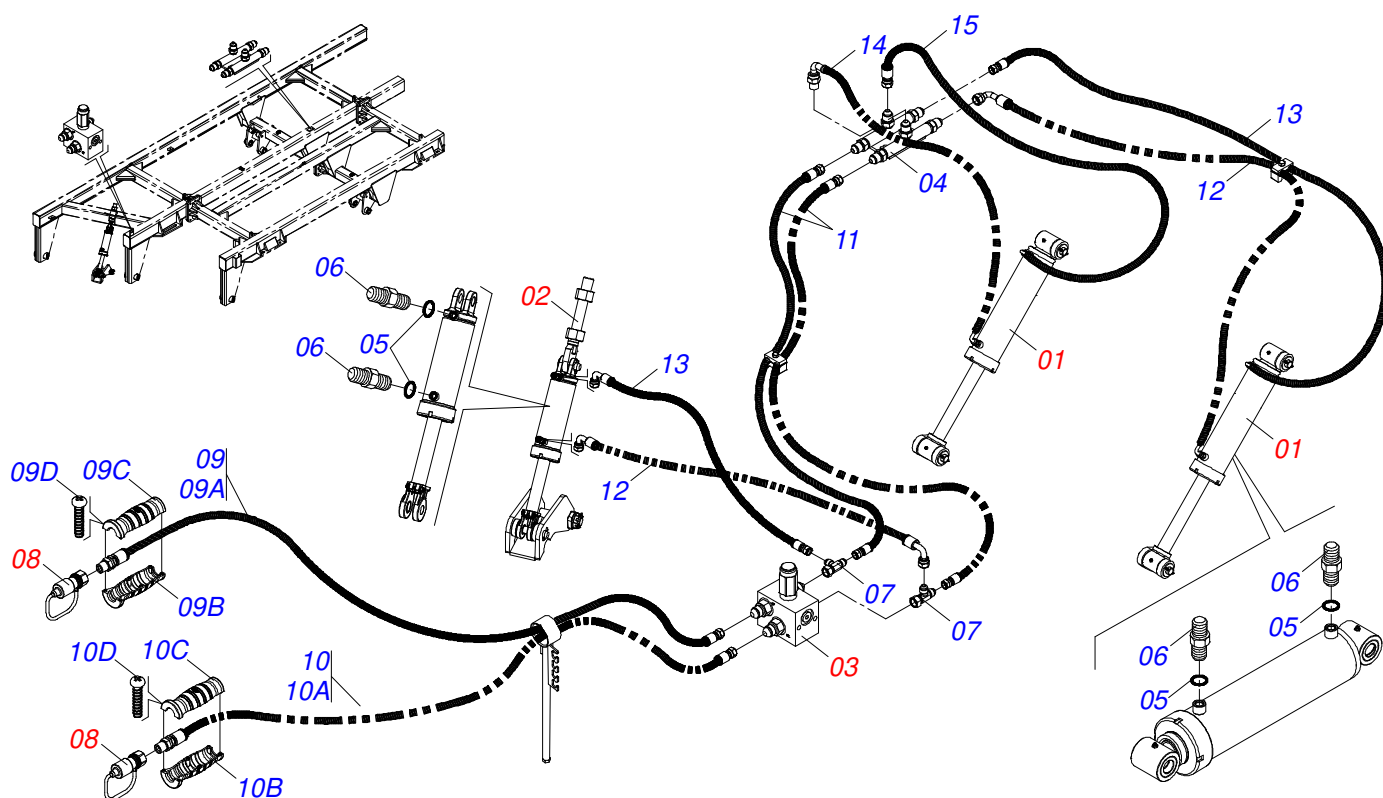
| Item | Code | Description | See page | QT |
|------|------------|----------------------------|----------|----|
| 01 | 0502012218 | 13" 2-1/2" HOUSING BEARING | | 01 |
| 02 | 0503010482 | 594A/592A ROLLER BEARING | | 02 |
| 03 | 0502040204 | AXLE | | 01 |
| 04 | 0502040119 | SEAL RETAINER | | 02 |
| 05 | 0503030029 | SEAL # LP JB-259 | | 02 |
| 06 | 0503030537 | 8.3" X 6.3" X 0.01" JOINT | | 03 |
| 07 | 0503030687 | 8.3" X 6.3" X 0.004" JOINT | | 02 |
| 08 | 0502010644 | HOUSING CAP DM | | 01 |
| 09 | 0503011440 | SPRING WASHER | | 06 |
| 10 | 0503010920 | 1/2" X 1.1/2" BOLT | | 06 |
| 11 | 0502012239 | BEARING OUTER FLANGE | | 01 |
| 12 | 0502012238 | BEARING INNER FLANGE | | 01 |
| 13 | 0503010856 | OIL PLUG | | 02 |



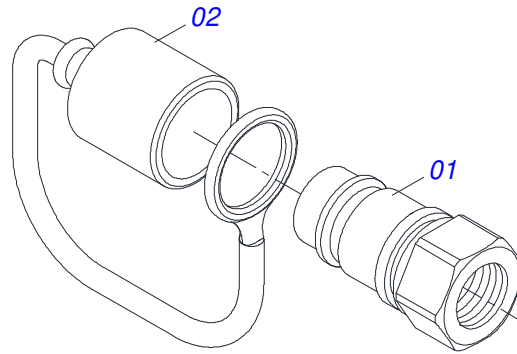
| Item | Code | Description | See page | QT |
|------|------------|---|----------|----|
| 01 | 0521051832 | HYDRAULIC CYLINDER 53,98 X 114,30 X 654 X 346 | 24 | 02 |
| 02 | 0511058419 | HYDRAULIC CYLINDER 50,80 X 101,60 X 514 X 206 | 15 | 01 |
| 03 | 0503030923 | 3/4" UNF X 13/16UN OFS X 40 NIPPLE | | 06 |
| 04 | 0503013637 | T 1/2" MALE ADAPTER | | 04 |
| 05 | 0501080724 | 3/8" X 4700 TR-TC HOSE ASSY | | 01 |
| 06 | 0501082182 | HOSE 3/8 X 1330 TR-TR | | 01 |
| 07 | 0521052496 | HOSE 3/8 X 5500 TR-TM BLACK/BLUE | | 01 |
| 08 | 0501080605 | 3/8" X 160" TR-TC HOSE ASSY | | 02 |
| 09 | 0501080514 | 3/8 X 1700 TC-TC HOSE | | 01 |
| 10 | 0521052495 | HOSE 3/8 X 5500 TR-TM BLACK/RED | | 01 |
| 11 | 0503010190 | 2-114 N 3006-9B O'RING | | 06 |
| 12 | 0503011030 | 2-014 N 3006-9B O'RING | | 14 |
| 13 | 0503032031 | 3/4" UNF REDUCTION NIPPLE | | 02 |
| 14 | 0501053834 | MALE QUICK COUPLER | 34 | 02 |



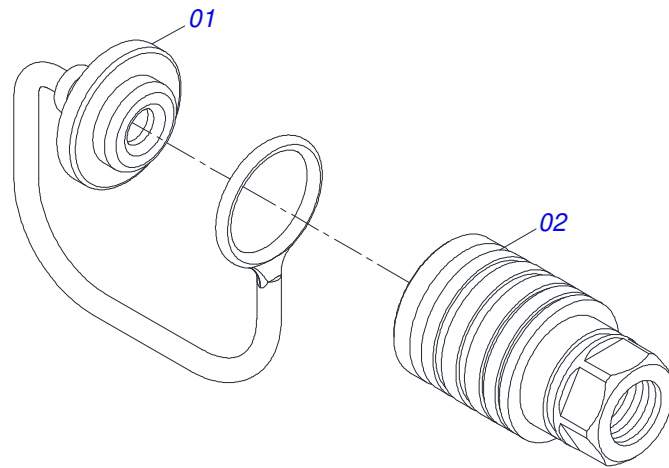
| Item | Code | Description | See page | QT |
|------|------------|---|----------|----|
| 01 | 0521052430 | HOSE 3/8 X 12000 TC-TM GRAY / RED | | 01 |
| 02 | 0521052457 | HOSE 3/8 X 12000 TC-TM GRAY / BLUE | | 01 |
| 03 | 0521052495 | HOSE 3/8 X 5500 TR-TM BLACK/RED | | 01 |
| 04 | 0521052496 | HOSE 3/8 X 5500 TR-TM BLACK/BLUE | | 01 |
| 05 | 0501080436 | 3/8 X 1500 TR-TC HOSE | | 01 |
| 06 | 0501080106 | TR-TR HOSE ASSY | | 02 |
| 07 | 0501080302 | TR-TC HOSE ASSY | | 01 |
| 08 | 0501080931 | 3/8" X 39" TC-TC HOSE ASSY | | 01 |
| 09 | 0501080065 | 3/8 X 1200 TC-TC HOSE | | 01 |
| 10 | 0501080432 | 3/8 X 2600 TC-TC HOSE ASSY | | 01 |
| 11 | 0501080393 | 3/8 X 2200 TC-TC HOSE | | 01 |
| 12 | 0501053834 | MALE QUICK COUPLER | 34 | 04 |
| 13 | 0511059196 | VALVE ASSY | 11 | 01 |
| 14 | 0511058521 | 50,80 X 101,60 X 527 X 165 HYDRAULIC CYLINDER | 16 | 01 |
| 15 | 0521051832 | HYDRAULIC CYLINDER 53,98 X 114,30 X 654 X 346 | 24 | 02 |
| 16 | 0501053835 | FEMALE QUICK COUPLER | 35 | 02 |
| 17 | 0571015342 | 3/4" NIPPLE | | 02 |
| 18 | 0503010217 | 501040 CLAMPING RING (FOR AXLE) | | 04 |
| 19 | 0521066937 | DUCT DISTRIBUTOR OF OIL | | 02 |
| 20 | 0503010190 | 2-114 N 3006-9B O'RING | | 08 |
| 21 | 0503011968 | 3/4" 8R6X-S T ADAPTER WITH SWIVEL NUT | | 02 |
| 22 | 0501010617 | 3/4" NIPPLE | | 06 |



| Item | Code | Description | See page | QT |
|------|------------|---|----------|----|
| 01 | 0511058419 | HYDRAULIC CYLINDER 50,80 X 101,60 X 514 X 206 | 15 | 01 |
| 02 | 0521051832 | HYDRAULIC CYLINDER 53,98 X 114,30 X 654 X 346 | 24 | 02 |
| 03 | 0521052191 | RELIEF VALVE | 26 | 01 |
| 04 | 0501068706 | DOUBLE CONNECTION | | 01 |
| 05 | 0503010190 | 2-114 N 3006-9B O'RING | | 06 |
| 06 | 0501010617 | 3/4" NIPPLE | | 04 |
| 07 | 0503011968 | 3/4" 8R6X-S T ADAPTER WITH SWIVEL NUT | | 02 |
| 08 | 0501053834 | MALE QUICK COUPLER | 34 | 02 |
| 09 | 0521052495 | HOSE 3/8 X 5500 TR-TM BLACK/RED | | 01 |
| 09A | 0501080205 | HOSE 3/8 X 5500 TR-TM | | 01 |
| 09B | 0503034492 | HYDRAULIC HOSE GRIP (BLACK) | | 01 |
| 09C | 0503034495 | HYDRAULIC HOSE GRIP (RED) | | 01 |
| 09D | 0503018952 | PLASTIC BOLT | | 06 |
| 10 | 0521052496 | HOSE 3/8 X 5500 TR-TM BLACK/BLUE | | 01 |
| 10A | 0501080205 | HOSE 3/8 X 5500 TR-TM | | 01 |
| 10B | 0503034492 | HYDRAULIC HOSE GRIP (BLACK) | | 01 |
| 10C | 0503034494 | HYDRAULIC HOSE GRIP (BLUE) | | 01 |
| 10D | 0503018952 | PLASTIC BOLT | | 06 |
| 11 | 0501082183 | HOSE 3/8 X 3900 TR-TR | | 02 |
| 12 | 0501080393 | 3/8 X 2200 TC-TC HOSE | | 02 |
| 13 | 0501080461 | 3/8 X 1800 TR-TC HOSE | | 02 |
| 14 | 0501080150 | 3/8 X 800 TR-TC HOSE | | 01 |
| 15 | 0501080599 | 3/8 X 650 TR-TC HOSE | | 01 |



| Item | Code | Description | See page | QT |
|------|------------|--------------------------------|----------|----|
| 01 | 0503011627 | MALE QUICK COUPLER AGR 1/2 NPT | | 01 |
| 02 | 0503011882 | MALE QUICK COUPLER CAP | | 01 |



| Item | Code | Description | See page | QT |
|------|------------|------------------------|----------|----|
| 01 | 0503011883 | QUICK CONNECTION COVER | | 01 |
| 02 | 0503011628 | FEMALE QUICK COUPLER | | 01 |



MARCHESAN

Technical Publications | Elaboration and Revision

MARINA PEREZ NIZA

www.marchesan.com.br

