

PARTS CATALOGUE

DISK PLOW/MOLDBOARD PLOW/TERRACING PLOW

Code:

0501091713

Product:

AARP 8/7 - 8/8 - EXP



Series:

S-1215

Revision:

00

Date Revision:

DEZEMBRO/2019



PRODUCTS

Code	Description
0101100134C	AARP 8/7 EXP S-1215
0101100033C	AARP 8/8 C/REVEST ACO EXP S-1215
0101100135C	AARP 8/8 EXP S-1215

ATTENTION: IMPORTANT

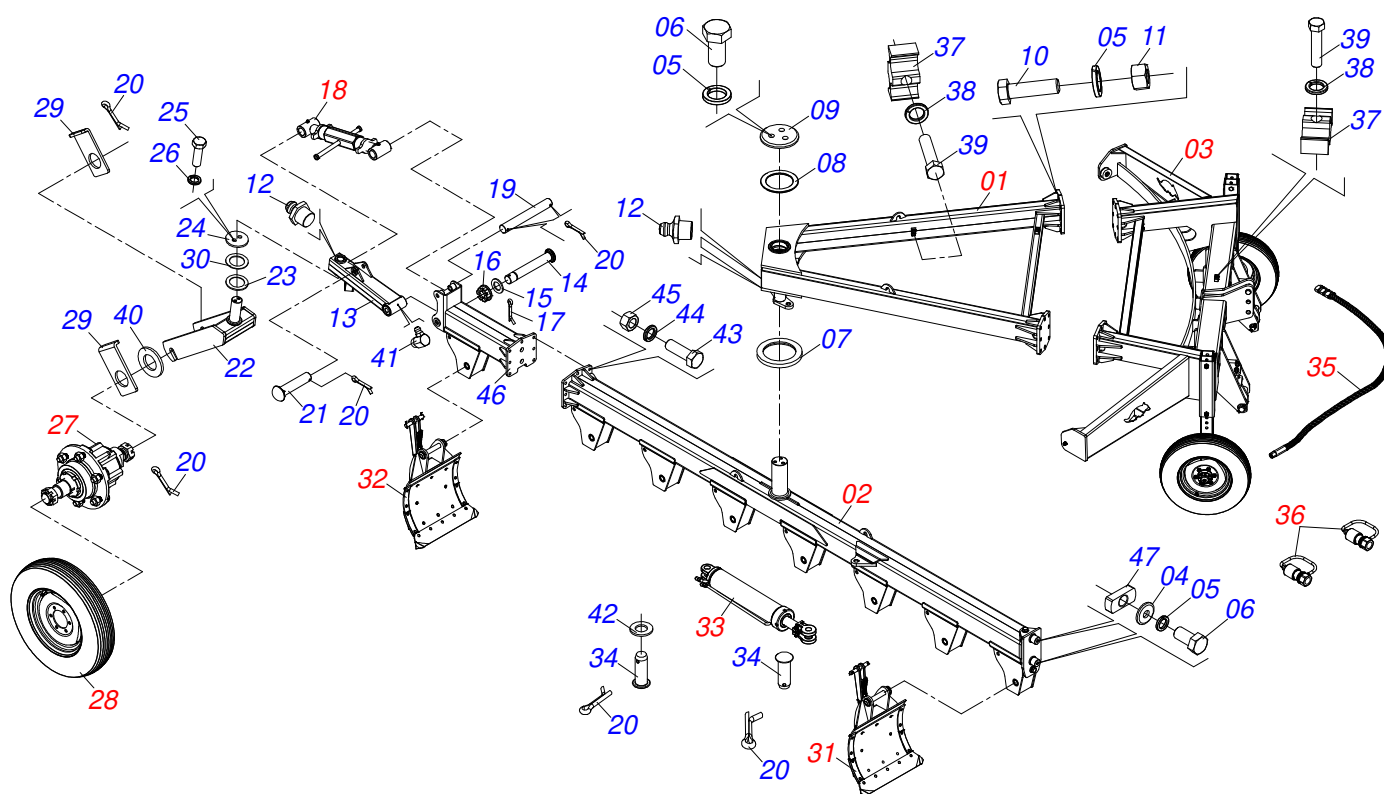
Marchesan S.A. reserves the right to improve and / or modify the technical features of its products, without obligation to do the same with those products already sold and without prior knowledge of the dealer or the consumer.



MARCHESAN

INDEX

0521046182	SET BODY FULL FRAME - AARP 8/8	1
0511058738	ASSY BODY FRAME - AARP 5 A 8	2
0511058737	ASSY BODY FRAME MOLDBOARDS - AARP 8/7 8/8	3
0521046185	SET FRONT FRAME FULL - AARP	4
0501052242	FRONT FRAME SET ASSY - PNEU 600X16-6L	5
0511052995	ASSY FRONT BODY CHASSIS WITH BEATER	6
0501052240	DEPTH CONTROL ARM ASSY	7
0501051142	CARRYING WHEEL HUB	8
0503060094	WHEEL AND TIRE ASSY	9
0501047699	ESTABILIZER ASSY	10
0501052245	WHEEL WITHOUT TIRE	11
0501052246	MOLDBOARD FRONT ASSY	12
0501052247	REAR MOLDBOARD ASSY	13
0521056176	MOLDBOARD FRONT ASSY STEEL FINISH	(OPTIONAL)	14
0521056177	MOLDBOARD REAR ASSY STEEL FINISH	(OPTIONAL)	15
0511052997	ASSY DEVIATION SYSTEM ROD	16
0511058402	HYDRAULIC CYLINDER 50,80 X 101,60 X 800 X 1202	17
0511052996	HOSE KIT	18
0501053834	MALE QUICK COUPLER WITH CAP - 1/2 NPT	19
0511028289	BOX COMPONENTS WITH SUPPORT FIXING BRT - AARP 6/6 7/7 8/8	20



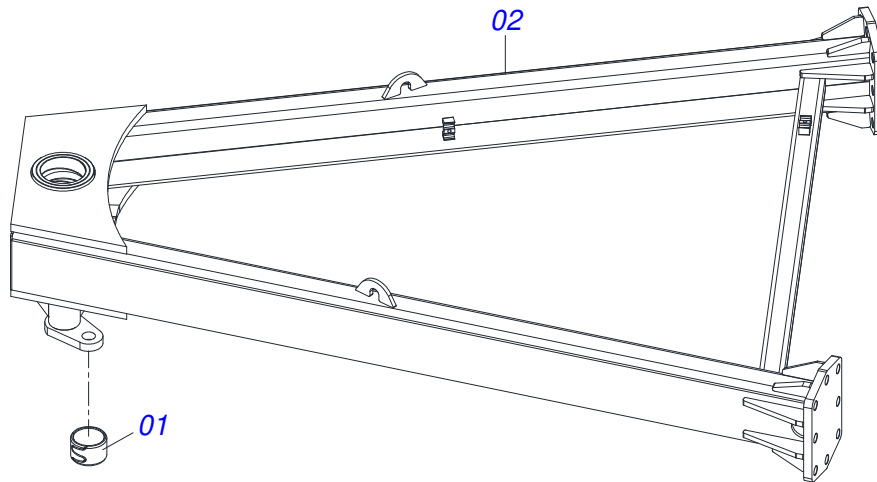
Item	Code	Description	See page	QT
01	0511058738	ASSY BODY FRAME - AARP 5 A 8	2	01
02	0511058737	ASSY BODY FRAME MOLDBOARDS - AARP 8/7 8/8	3	01
03	0521046185	SET FRONT FRAME FULL - AARP	4	01
03.	0501052242	FRONT FRAME SET ASSY - PNEU 600X16-6L	5	01
04	0521014196	FLAT WASHER		02
05	0503010012	1" SPRING WASHER		21
06	0503010953	1" X 2" BOLT		05
07	0521014041	SPACING BUSHING AXLE 127,50 X 175 X 16		01
08	0521014197	FLAT WASHER		01
09	0521014022	UPPER FLANGE		01
10	0503016484	1" X 3-1/2" BOLT		16
11	0503010340	1" NUT		16
12	0503010002	1800 GREASE FITTING		03
13	0511069625	ARM FIXER CARRYING-WHEELS		01
14	0561018588	COUPLING SHAFT		01
15	0501012916	FLAT WASHER 38,50 X 66 X 4,75 ZN		01
16	0501011301	1.1/2 UNC 6FPP 2.5/16 NUT		01
17	0503010010	1/4" X 2.1/2" COTTERPIN		01
18	0501047699	ESTABILIZER ASSY	10	01
19	0521014216	COUPLING SHAFT		01
20	0503010523	1/4" X 2" COTTERPIN		07
21	0521014092	AXLE LOCK		01
22	0511060365	CARRYING WHEELS FIXER		01
23	0521014023	MIDDLEMAN FLANGE		01
24	0521014014	REAR FIXER FLANGE		01
25	0501010100	SCREW 5/8 UNC X 2 CS G.5 ZN		02
26	0503010027	5/8" SPRING WASHER		02
27	0501052245	WHEEL WITHOUT TIRE	11	01
28	0503060094	WHEEL AND TIRE ASSY	9	01
29	0531015109	WHEEL AXLE LOCK		02
30	0521014024	WASHER SPACER		01



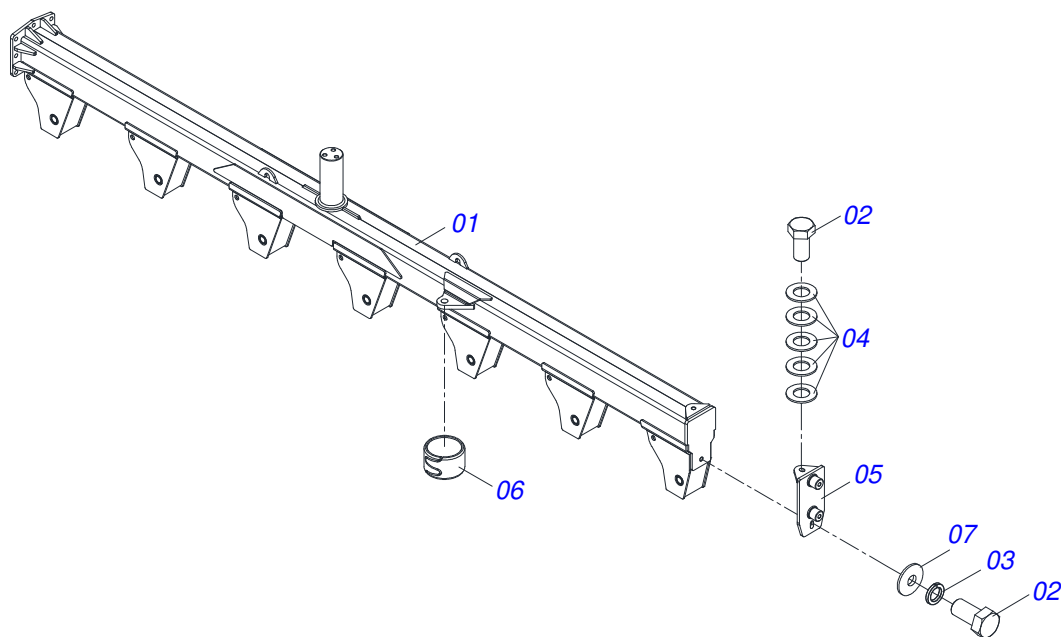
SET BODY FULL FRAME - AARP 8/8

0521046182

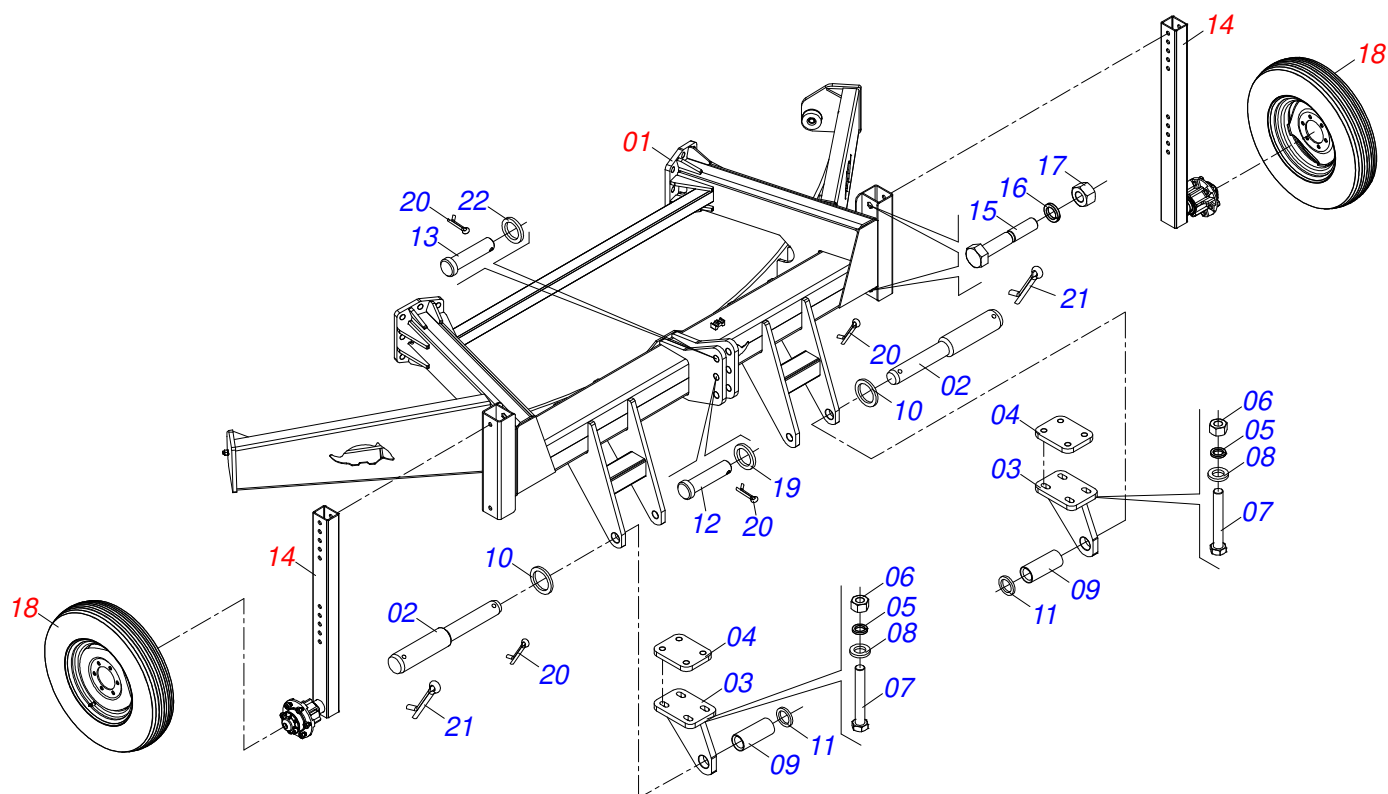
Item	Code	Description	See page	QT
31	0501052246	MOLDBOARD FRONT ASSY	12	07
32	0501052247	REAR MOLDBOARD ASSY	13	01
33	0511058402	HYDRAULIC CYLINDER 50,80 X 101,60 X 800 X 1202	17	01
34	0521012538	1.2" X 3.5" COUPLING SHAFT		02
35	0511052996	HOSE KIT	18	01
36	0501053834	MALE QUICK COUPLER WITH CAP - 1/2 NPT	19	02
37	0502012702	BODY SUPPORT CLAMP		04
38	0503010180	7/16" SPRING WASHER		04
39	0503012555	SCREW 7/16 UNC X 2 CS RT G.7 ZN		04
40	0501010307	FLAT WASHER		01
41	0503010004	1890 GREASE FITTING		01
42	0501017779	32 X 60 X 4.75 FLAT WASHER		01
43	0503012419	7/8" X 2-3/4" BOLT		07
44	0503010408	7/8" SPRING WASHER		07
45	0503011066	7/8" NUT		07
46	0521060974	ADAPTER (AARP6 EM AARP7 AARP6/7)		01
47	0521014020	LOWER GUIDE PLATE		02



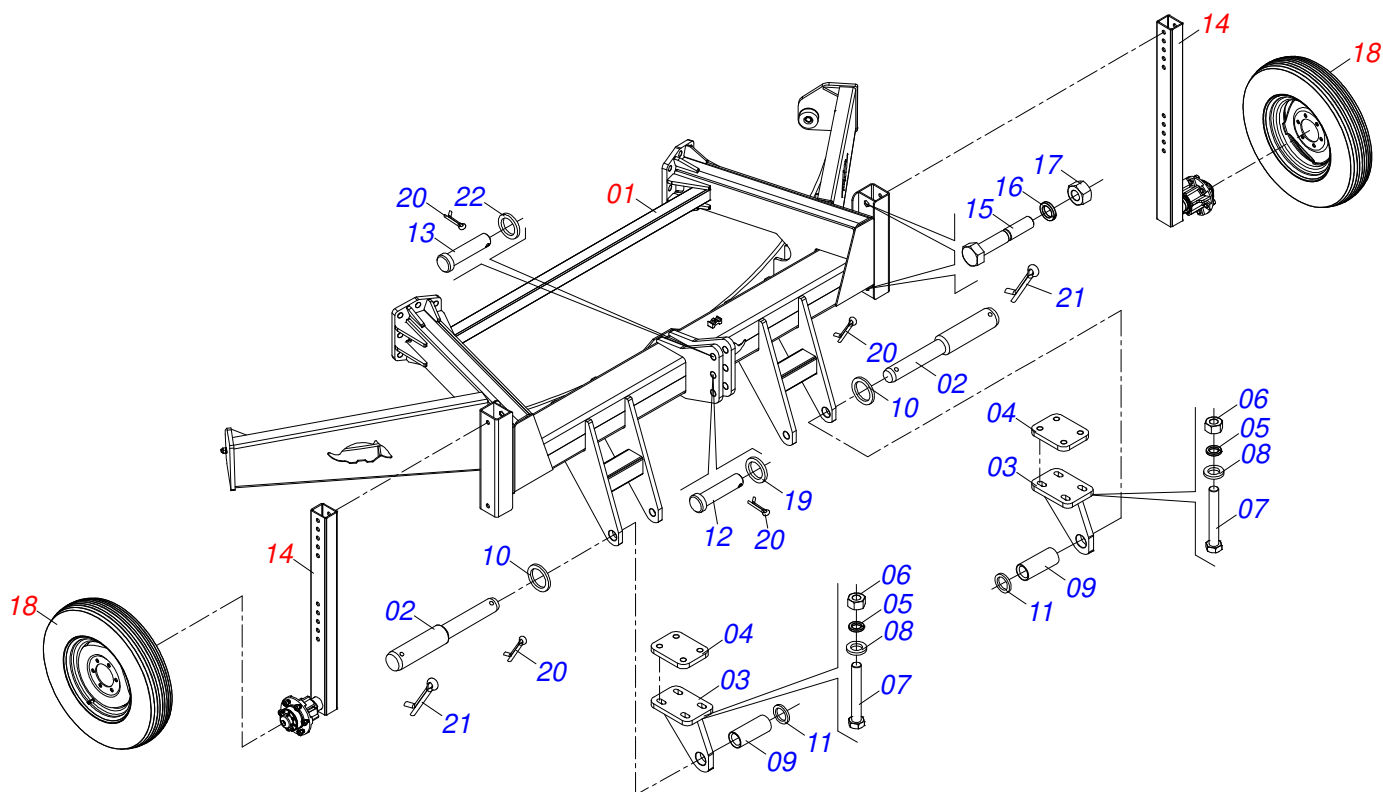
Item	Code	Description	See page	QT
01	0511019920	LUVA 32,7 X 38,8 X 25,40		01
02	0511060363	REAR FRAME BODY		01



Item	Code	Description	See page	QT
01	0521066768	FRAME FOR MOLDBOARD		01
02	0503010953	1" X 2" BOLT		02
03	0503010012	1" SPRING WASHER		01
04	0501011518	ARRUELA LISA 27 X 50 X 3		05
05	0521063769	FIXER GUIDES FRAME		01
06	0511019920	LUVA 32,7 X 38,8 X 25,40		01
07	0501010065	1" SPRING WASHER		01

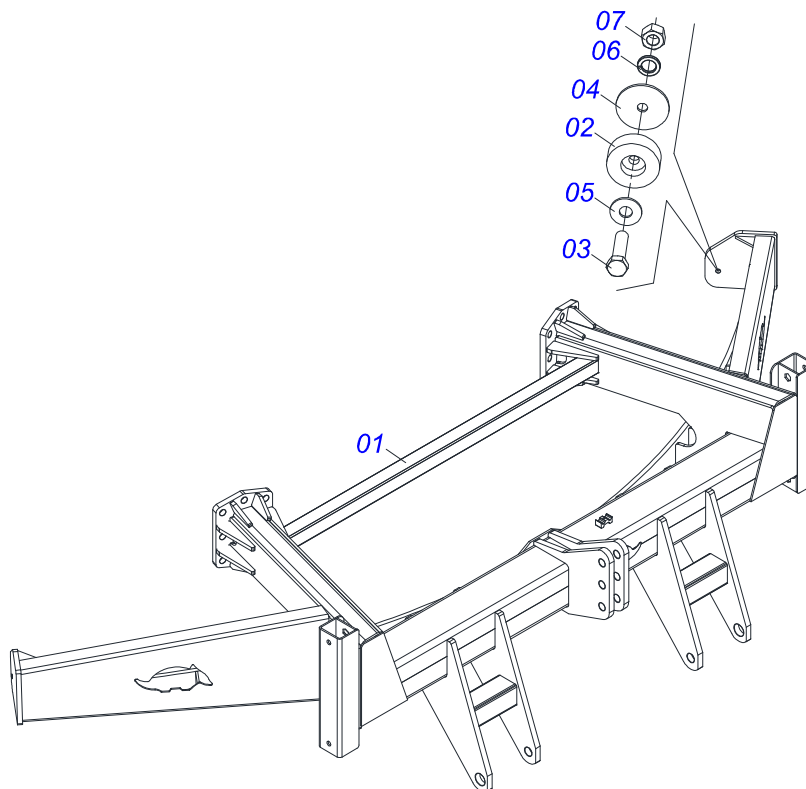


Item	Code	Description	See page	QT
01	0511052995	ASSY FRONT BODY CHASSIS WITH BEATER	6	01
02	0541012277	HITCH AXLE		02
03	0521065143	ADJUSTABLE FLANGE		02
04	0571016880	FIXER FLANGE ADJUSTABLE PLATE		02
05	0503010023	3/4" SPRING WASHER		08
06	0503010014	3/4" NUT		08
07	0503012729	3/4" X 6-3/4" BOLT		08
08	0511015255	FLAT WASHER		08
09	0541012279	SLEEVE 36,7 X 50 X 120 A		02
10	0511019776	FLAT WASHER		02
11	0501010679	FLAT WASHER		02
12	0541014018	UPPER HITCH AXLE		01
13	0591012502	TOP SHAFT HITCH		01
14	0501052240	DEPTH CONTROL ARM ASSY	7	02
15	0501010216	3/4" X 4-1/2" BOLT		04
16	0503010023	3/4" SPRING WASHER		04
17	0503010014	3/4" NUT		04
18	0503060094	WHEEL AND TIRE ASSY	9	02
19	0501017779	32 X 60 X 4.75 FLAT WASHER		01
20	0503010534	3/8 X 2-1/2 COTTERPIN		04
21	0503010073	3/8 X 3-1/2 COTTERPIN		02
22	0591012501	FLAT WASHER 45,50 X 80 X 6,30		01

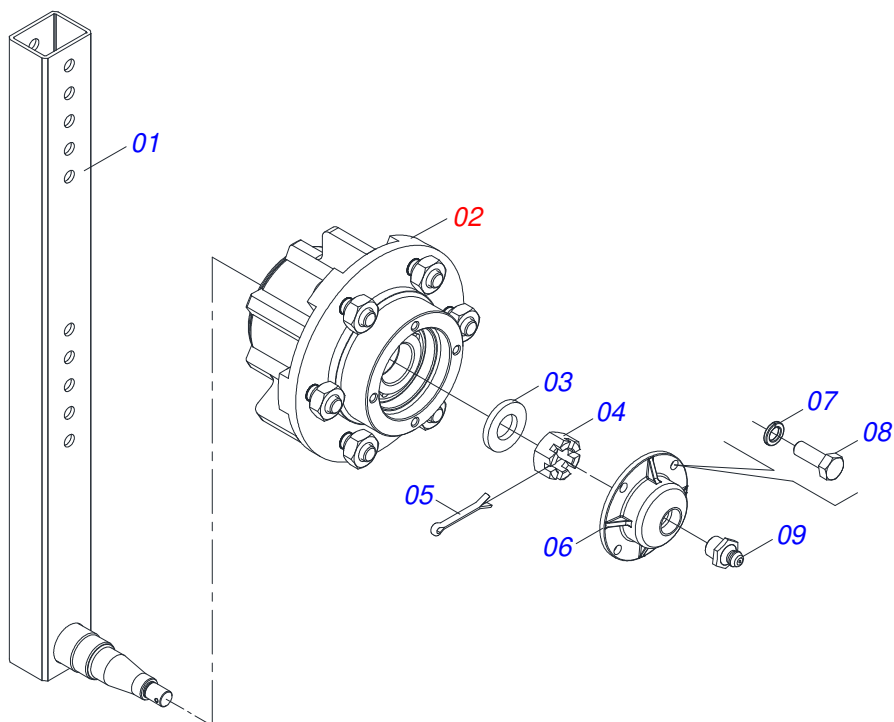


Item	Code	Description	See page	QT
01	0511052995	ASSY FRONT BODY CHASSIS WITH BEATER	6	01
02	0541012277	HITCH AXLE		02
03	0521065143	ADJUSTABLE FLANGE		02
04	0571016880	FIXER FLANGE ADJUSTABLE PLATE		02
05	0503010023	3/4" SPRING WASHER		08
06	0503010014	3/4" NUT		08
07	0503012729	3/4" X 6-3/4" BOLT		08
08	0511015255	FLAT WASHER		08
09	0541012279	SLEEVE 36,7 X 50 X 120 A		02
10	0511019776	FLAT WASHER		02
11	0501010679	FLAT WASHER		02
12	0541014018	UPPER HITCH AXLE		01
13	0591012502	TOP SHAFT HITCH		01
14	0501052240	DEPTH CONTROL ARM ASSY	7	02
15	0501010216	3/4" X 4-1/2" BOLT		04
16	0503010023	3/4" SPRING WASHER		04
17	0503010014	3/4" NUT		04
18	0503060094	WHEEL AND TIRE ASSY	9	02
19	0501017779	32 X 60 X 4.75 FLAT WASHER		01
20	0503010534	3/8 X 2-1/2 COTTERPIN		04
21	0503010073	3/8 X 3-1/2 COTTERPIN		02
22	0591012501	FLAT WASHER 45,50 X 80 X 6,30		01

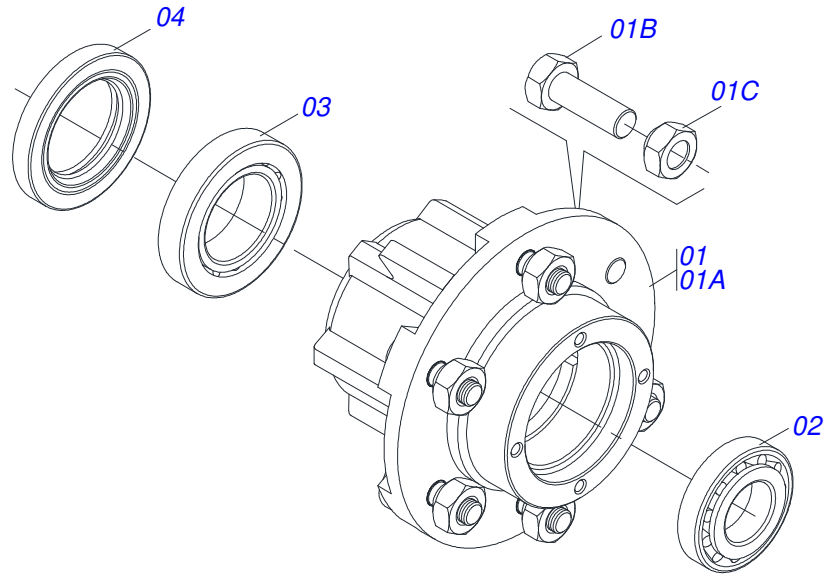
ASSY FRONT BODY CHASSIS WITH BEATER



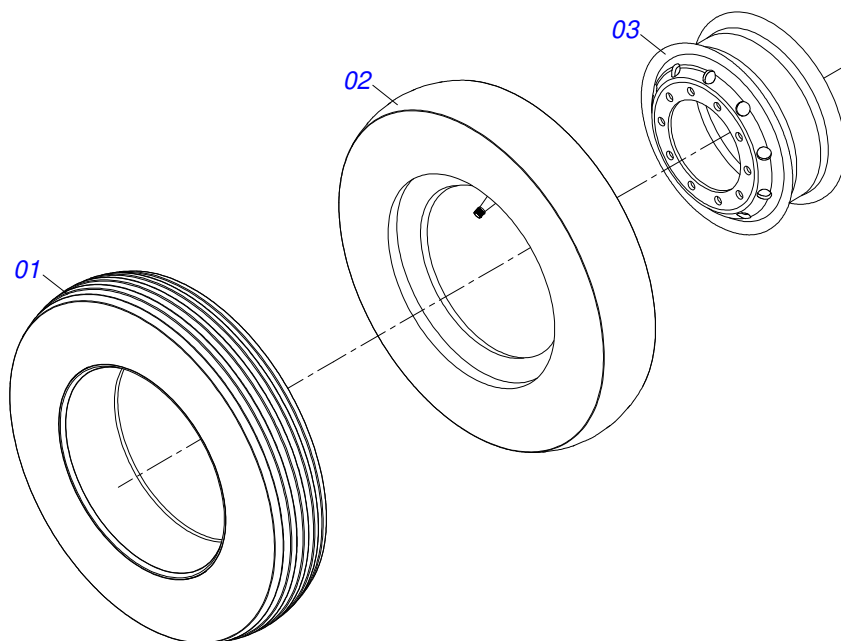
Item	Code	Description	See page	QT
01	0511060362	FRONT FRAME BODY		01
02	0521011481	FRAME BATTERY		02
03	0503010233	5/8" X 2-1/2" BOLT		02
04	0571013284	17.5 X 90 X 4.75 FLAT WASHER		02
05	0571010265	16.5 X 40 X 3 FLAT WASHER		02
06	0503010027	5/8" SPRING WASHER		02
07	0503010013	5/8" NUT		02



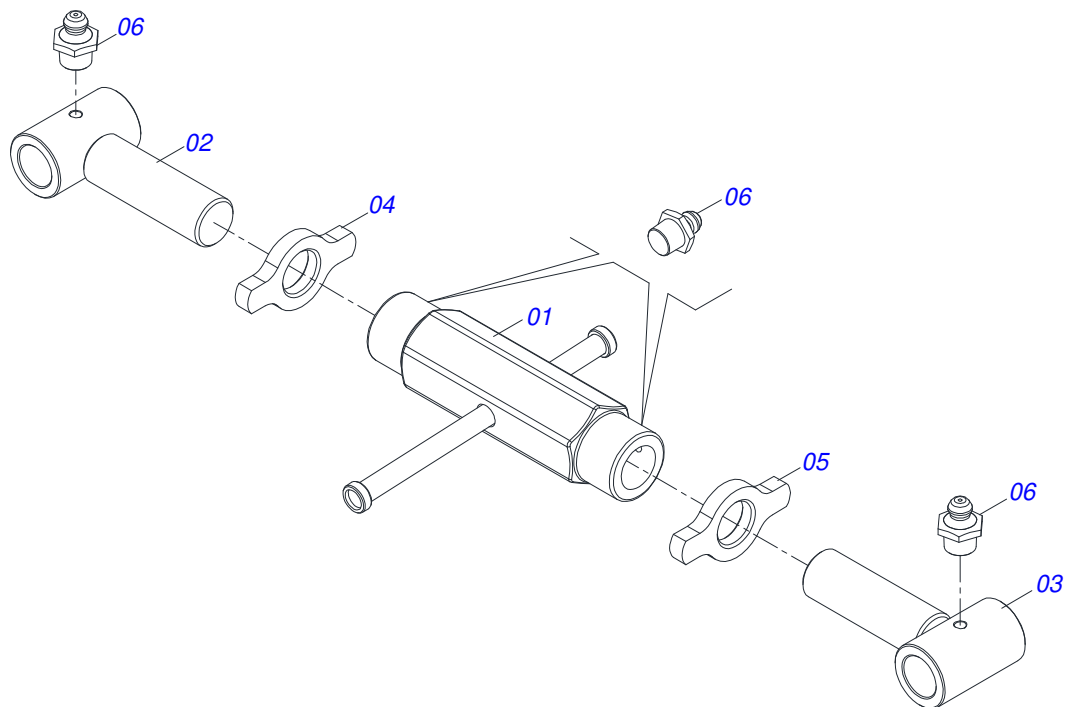
Item	Code	Description	See page	QT
01	0511060366	DEPTH CONTROL ARM		01
02	0501051142	CARRYING WHEEL HUB	8	01
03	0501016545	FLAT WASHER		01
04	0503030009	1" CASTLE NUT		01
05	0503010018	5/32 X 1-1/2 COTTERPIN		01
06	0502020591	PROTECCION COVER		01
07	0503011444	SPRING WASHER		04
08	0503010358	5/16" X 5/8" BOLT		04
09	0503010002	1800 GREASE FITTING		01



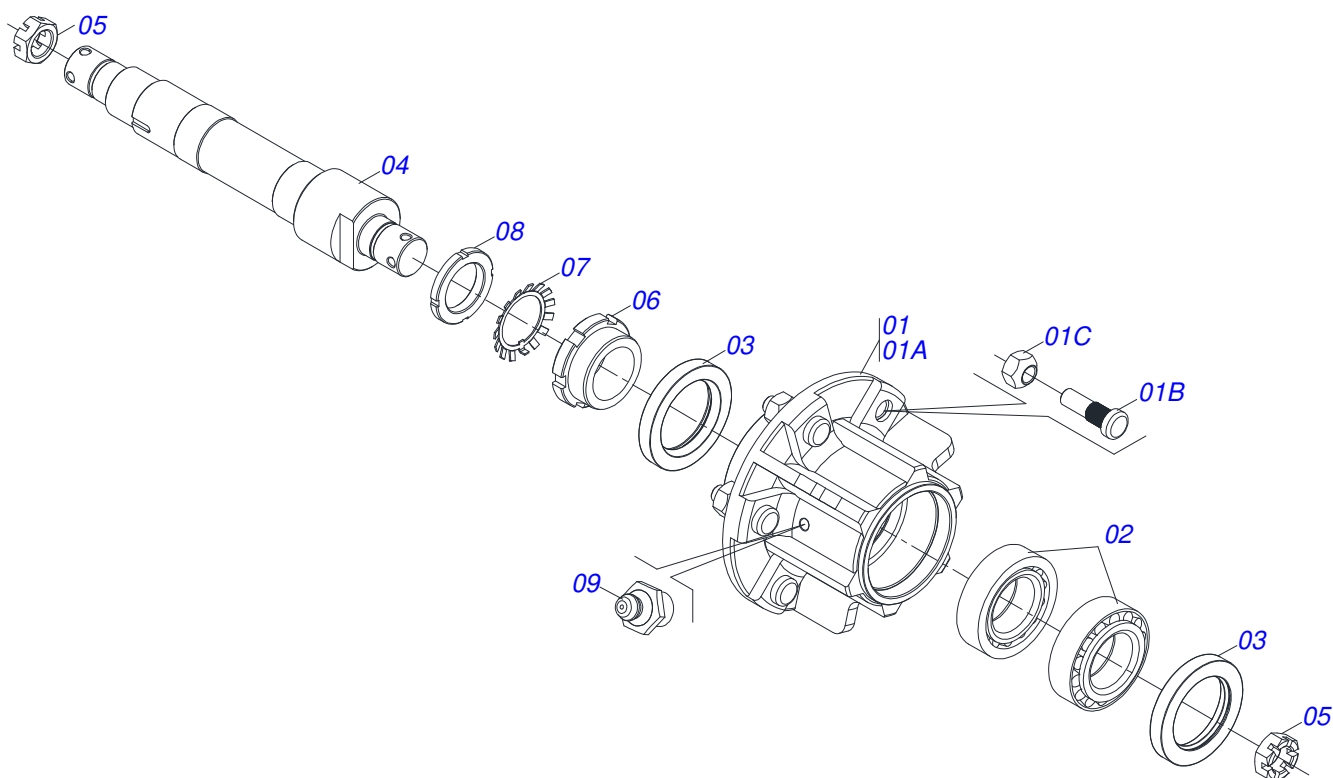
Item	Code	Description	See page	QT
01	0501110728	WHEEL HUB		01
01A	0502011121	CARRYING WHEEL HUB		01
01B	0501010127	9/16" X 1-7/8" LUG BOLT		06
01C	0503010035	9/16" CONIC NUT		06
02	0503010037	30207 ROLLER BEARING		01
03	0503010006	32210 ROLLER BEARING		01
04	0503012928	SEAL		01



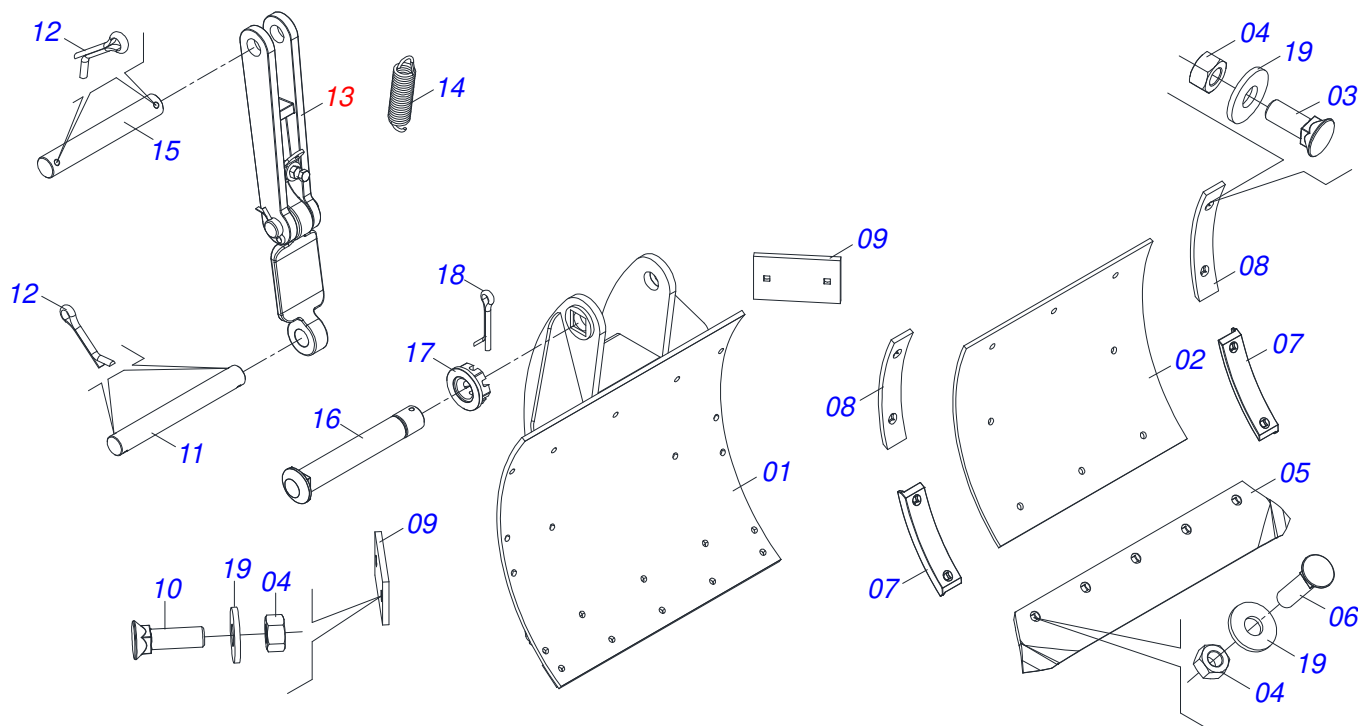
Item	Code	Description	See page	QT
01	0503010065	CANVAS TIRE		01
02	0503010068	6.00 X 16 INNER TIRE		01
03	0503010894	0.2"X0.6"X4.6"X6F0.6"X6" WHEEL		01



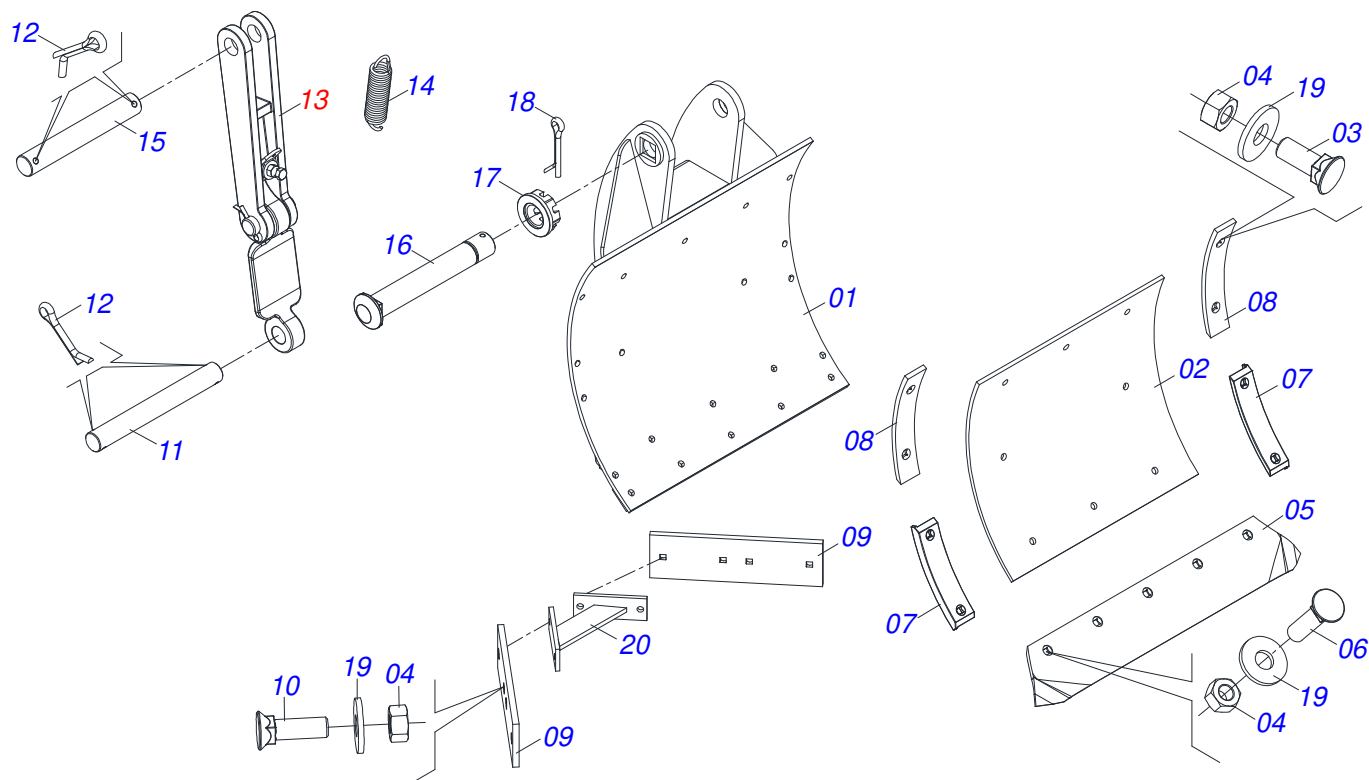
Item	Code	Description	See page	QT
01	0501110262	245 ADJUSTMENT NUT		01
02	0501064001	RIGHT JACK CRANK		01
03	0501064002	LEFT JACK CRANK		01
04	0541018672	COUNTERNUT		01
05	0541018673	COUNTERNUT		01
06	0503010002	1800 GREASE FITTING		04



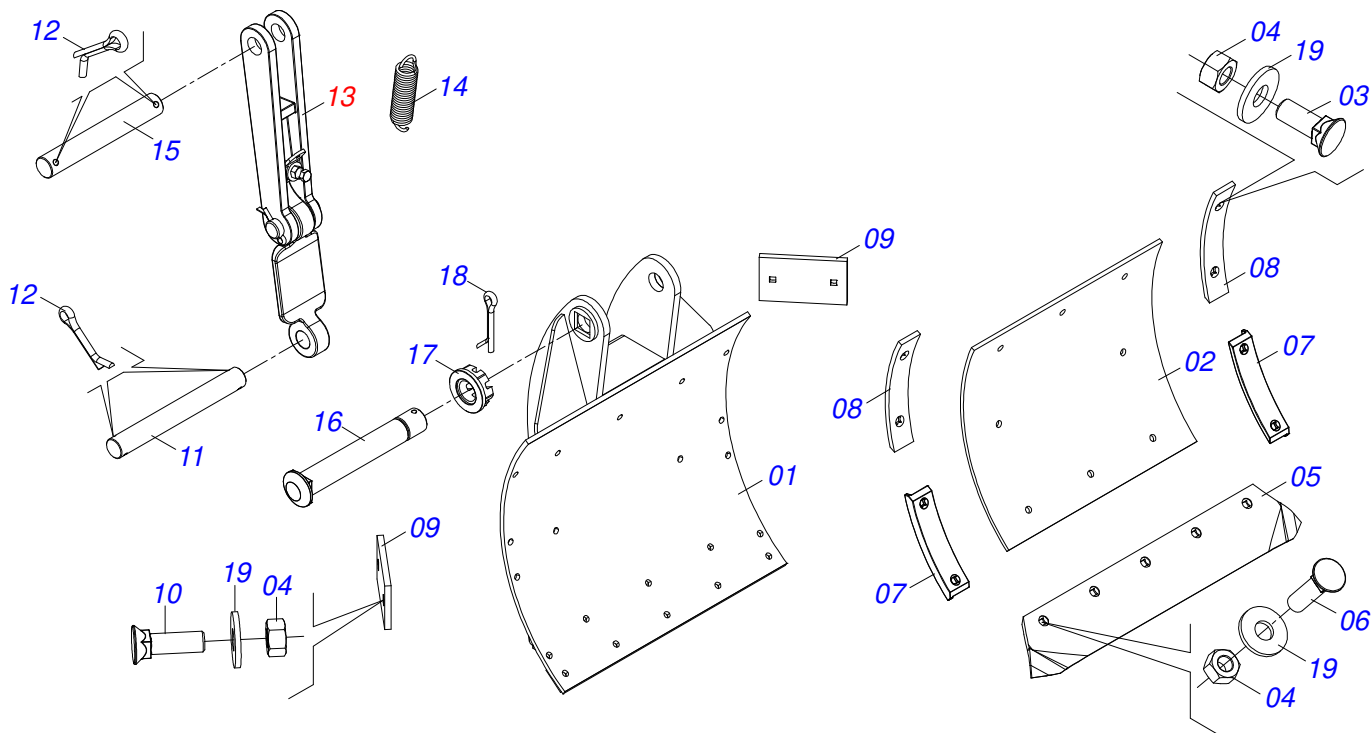
Item	Code	Description	See page	QT
01	0501110733	WHEEL HUB	01	01
01A	0502011120	TRANSP WHEEL HUB	01	01
01B	0501010127	9/16" X 1-7/8" LUG BOLT	06	06
01C	0503010035	9/16" CONIC NUT	06	06
02	0503010328	25590/25523 ROLLER BEARING	02	02
03	0503010804	00547-B SEAL	02	02
04	0521014068	CARRYING WHEEL AXLE	01	01
05	0503011052	1.1/4" X 0.77" CASTLE NUT	02	02
06	0511015949	LOCK NUT	01	01
07	0503010329	LOCK WASHER	01	01
08	0503010330	KM 9 LOCKNUT	01	01
09	0503010002	1800 GREASE FITTING	01	01



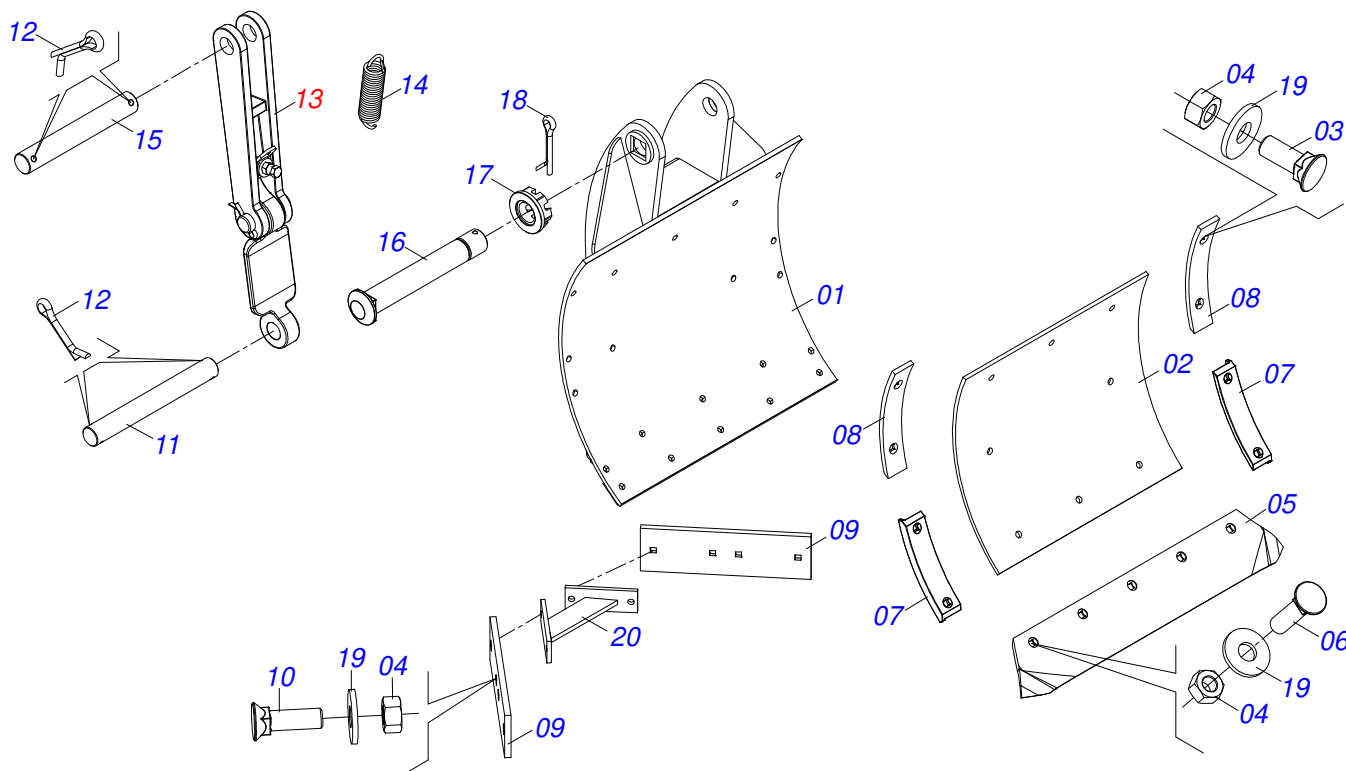
Item	Code	Description	See page	QT
01	0511060400	MOLDBOARD (AARP)		01
02	0511011127	PLASTIC LINING		01
03	0503011426	7/16" X 1-1/4" BOLT		16
04	0503010244	7/16" NUT		25
05	0622380002	SHEAR POINT		01
06	0503010773	7/16" X 1-3/4" BOLT		05
07	0502070060	LOWER BAR STOP MOLDBOARD		02
08	0511011126	UPPER BAR STOP MOLDBOARD		02
09	0511011175	SMALLER MOLDBOARD GUIDES		02
10	0503011199	7/16" X 1-1/2" BOLT		04
11	0521014037	1.1" X 8.4" COUPLING SHAFT		01
12	0503010571	1/4" X 1.1/2" COTTERPIN		04
13	0511052997	ASSY DEVIATION SYSTEM ROD	16	01
14	0503031515	1.2" X 5.1" X 0.2" EXTENSION SPRING		01
15	0521014038	1.1" X 7.6" COUPLING SHAFT		01
16	0561018588	COUPLING SHAFT		01
17	0501011301	1.1/2 UNC 6FPP 2.5/16 NUT		01
18	0503010010	1/4" X 2.1/2" COTTERPIN		01
19	0501012803	FLAT WASHER		25



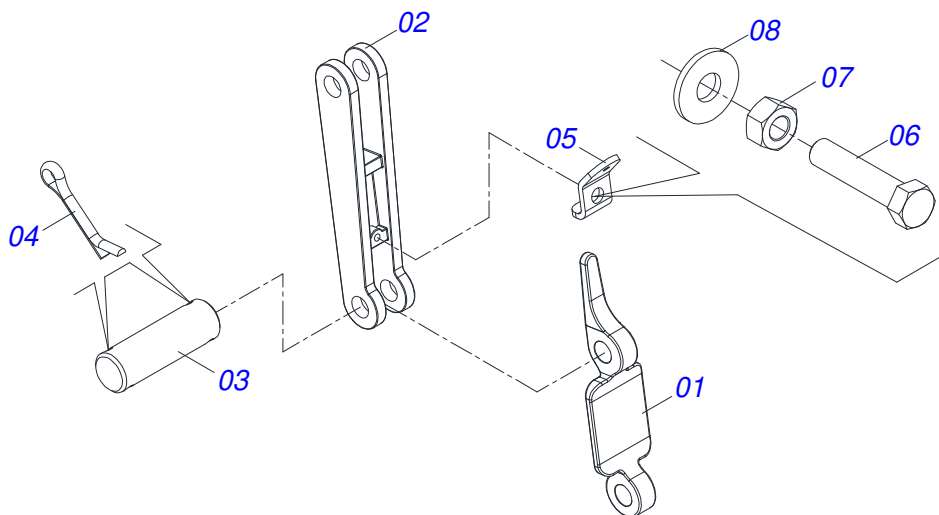
Item	Code	Description	See page	QT
01	0511060400	MOLDBOARD (AARP)		01
02	0511011127	PLASTIC LINING		01
03	0503011426	7/16" X 1-1/4" BOLT		16
04	0503010244	7/16" NUT		29
05	0622380002	SHEAR POINT		01
06	0503010773	7/16" X 1-3/4" BOLT		05
07	0502070060	LOWER BAR STOP MOLDBOARD		02
08	0511011126	UPPER BAR STOP MOLDBOARD		02
09	0511011801	LARGER MOLDBOARD GUIDES		02
10	0503011199	7/16" X 1-1/2" BOLT		08
11	0521014037	1.1" X 8.4" COUPLING SHAFT		01
12	0503010571	1/4" X 1.1/2 COTTERPIN		04
13	0511052997	ASSY DEVIATION SYSTEM ROD	16	01
14	0503031515	1.2" X 5.1" X 0.2" EXTENSION SPRING		01
15	0521014038	1.1" X 7.6" COUPLING SHAFT		01
16	0561018588	COUPLING SHAFT		01
17	0501011301	1.1/2 UNC 6FPP 2.5/16 NUT		01
18	0503010010	1/4" X 2.1/2" COTTERPIN		01
19	0501012803	FLAT WASHER		31
20	0501065737	REAR SUPPORT GUIDE		01



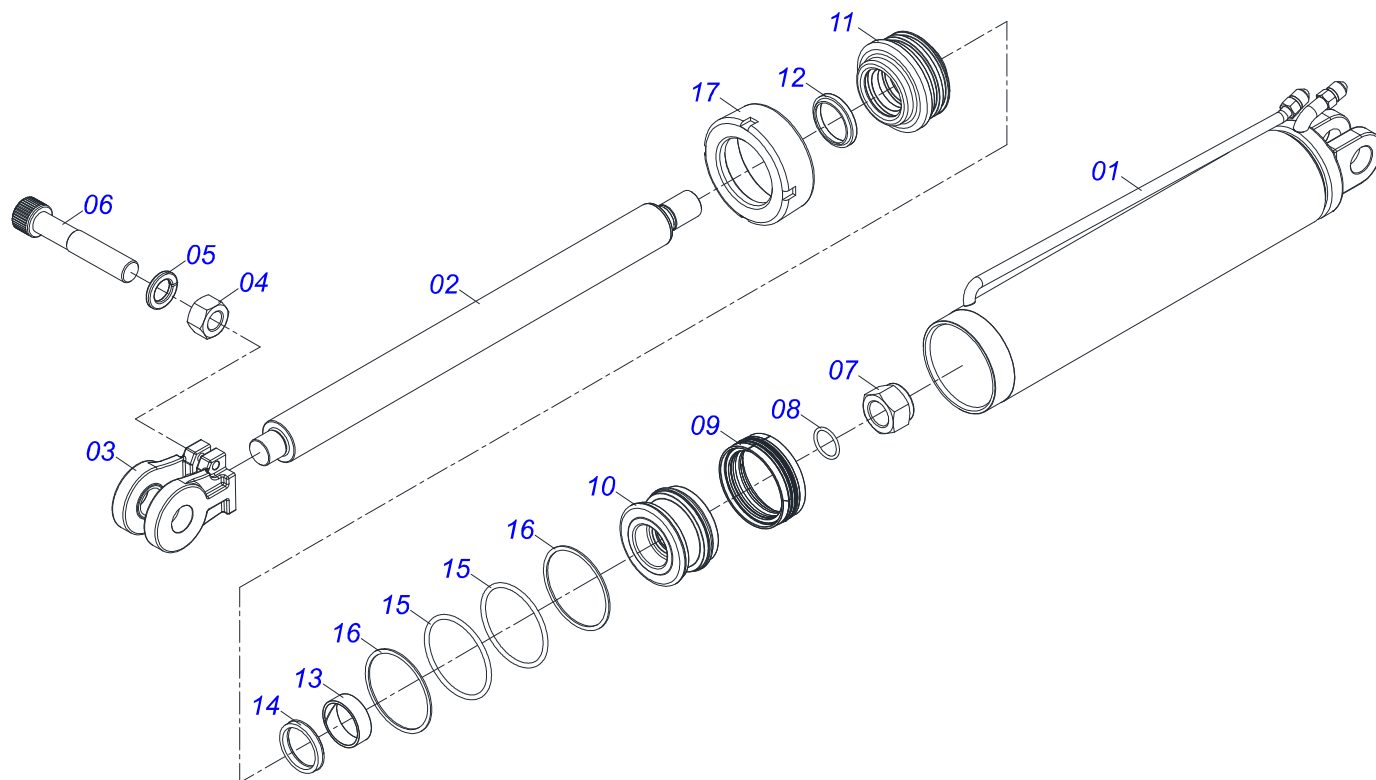
Item	Code	Description	See page	QT
01	0511060400	MOLDBOARD (AARP)		01
02	0581011535	AIVECA STEEL COATING		01
03	0503011426	7/16" X 1-1/4" BOLT		16
04	0503010244	7/16" NUT		25
05	0622380002	SHEAR POINT		01
06	0503010773	7/16" X 1-3/4" BOLT		05
07	0502070060	LOWER BAR STOP MOLDBOARD		02
08	0511011126	UPPER BAR STOP MOLDBOARD		02
09	0511011175	SMALLER MOLDBOARD GUIDES		02
10	0503011199	7/16" X 1-1/2" BOLT		04
11	0521014037	1.1" X 8.4" COUPLING SHAFT		01
12	0503010571	1/4" X 1.1/2 COTTERPIN		04
13	0511052997	ASSY DEVIATION SYSTEM ROD	16	01
14	0503031515	1.2" X 5.1" X 0.2" EXTENSION SPRING		01
15	0521014038	1.1" X 7.6" COUPLING SHAFT		01
16	0561018588	COUPLING SHAFT		01
17	0501011301	1.1/2 UNC 6FPP 2.5/16 NUT		01
18	0503010010	1/4" X 2.1/2" COTTERPIN		01
19	0501012803	FLAT WASHER		25



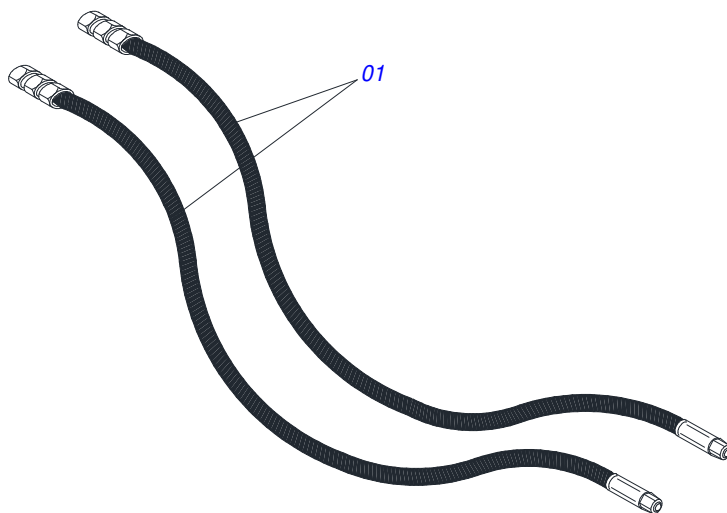
Item	Code	Description	See page	QT
01	0511060400	MOLDBOARD (AARP)		01
02	0581011535	AIVECA STEEL COATING		01
03	0503011426	7/16" X 1-1/4" BOLT		16
04	0503010244	7/16" NUT		29
05	0622380002	SHEAR POINT		01
06	0503010773	7/16" X 1-3/4" BOLT		05
07	0502070060	LOWER BAR STOP MOLDBOARD		02
08	0511011126	UPPER BAR STOP MOLDBOARD		02
09	0511011801	LARGER MOLDBOARD GUIDES		02
10	0503011199	7/16" X 1-1/2" BOLT		08
11	0521014037	1.1" X 8.4" COUPLING SHAFT		01
12	0503010571	1/4" X 1.1/2 COTTERPIN		04
13	0511052997	ASSY DEVIATION SYSTEM ROD	16	01
14	0503031515	1.2" X 5.1" X 0.2" EXTENSION SPRING		01
15	0521014038	1.1" X 7.6" COUPLING SHAFT		01
16	0561018588	COUPLING SHAFT		01
17	0501011301	1.1/2 UNC 6FPP 2.5/16 NUT		01
18	0503010010	1/4" X 2.1/2" COTTERPIN		01
19	0501012803	FLAT WASHER		31
20	0501065737	REAR SUPPORT GUIDE		01



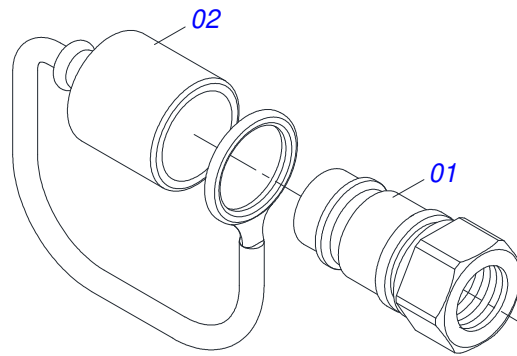
Item	Code	Description	See page	QT
01	0521011631	AUTOMATIC RESET		01
02	0502011164	SUPPORT SPRING		01
03	0511015689	1.1" X 3.5" COUPLING SHAFT		01
04	0503010571	1/4" X 1.1/2 COTTERPIN		02
05	0521014033	LOWER SPRING FIXER		01
06	0503012555	SCREW 7/16 UNC X 2 CS RT G.7 ZN		01
07	0503010244	7/16" NUT		01
08	0501012803	FLAT WASHER		01



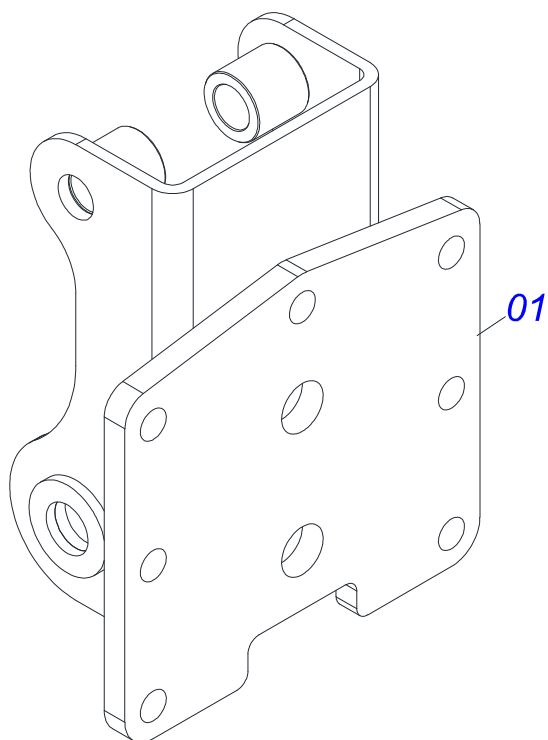
Item	Code	Description	See page	QT
01	0511060668	4" X 20" CYLINDER CASE		01
02	0501018530	2" X 26" TURNBUCKLE		01
03	0502040747	32.54 CLEVIS CLAMP		01
04	0503010026	3/8" NUT		01
05	0503011443	3/8" SPRING WASHER		01
06	0503011094	3/8" X 2" BOLT		01
07	0503010817	1.1/4" SELF LOCKING NUT		01
08	0503010345	2-218 N 3006-9B O'RING		01
09	0503015633	SELEMASTER SEALING		01
10	0502012842	50,80 X 101,60 PISTON		01
11	0581010678	50,80 X 101 RING SUPPORT		01
12	0503015636	SCRAPER SEAL		01
13	0503018025	RING GUIDE		01
14	0503018026	1870-2000-375 B GASKET		01
15	0503010338	2-342 N 3006-9B O'RING		02
16	0503011061	8-342 BACK-UP RING		02
17	0502012822	101.60 END CAP		01



Item	Code	Description	See page	QT
01	0501080443	3/8" X 236" TR-TM HOSE		02



Item	Code	Description	See page	QT
01	0503011627	MALE QUICK COUPLER AGR 1/2 NPT		01
02	0503011882	MALE QUICK COUPLER CAP		01



Item	Code	Description	See page	QT
01	0521060973	SUPPORT FIXER ARM REAR CARRYING-WHEELS		01



www.marchesan.com.br



Technical Publications | Elaboration and Revision
ALESSANDRA PATRICIA KAWAHARA CARRILI