

PARTS CATALOG

AGRICULTURAL FRONT LOADER

PCA-T 1750 BM 110/125 BTSC

Code: 0501091698



Series: S-1007

Review: JULHO/2016

**ORIGINAL PARTS
TATU**



PRODUCTS

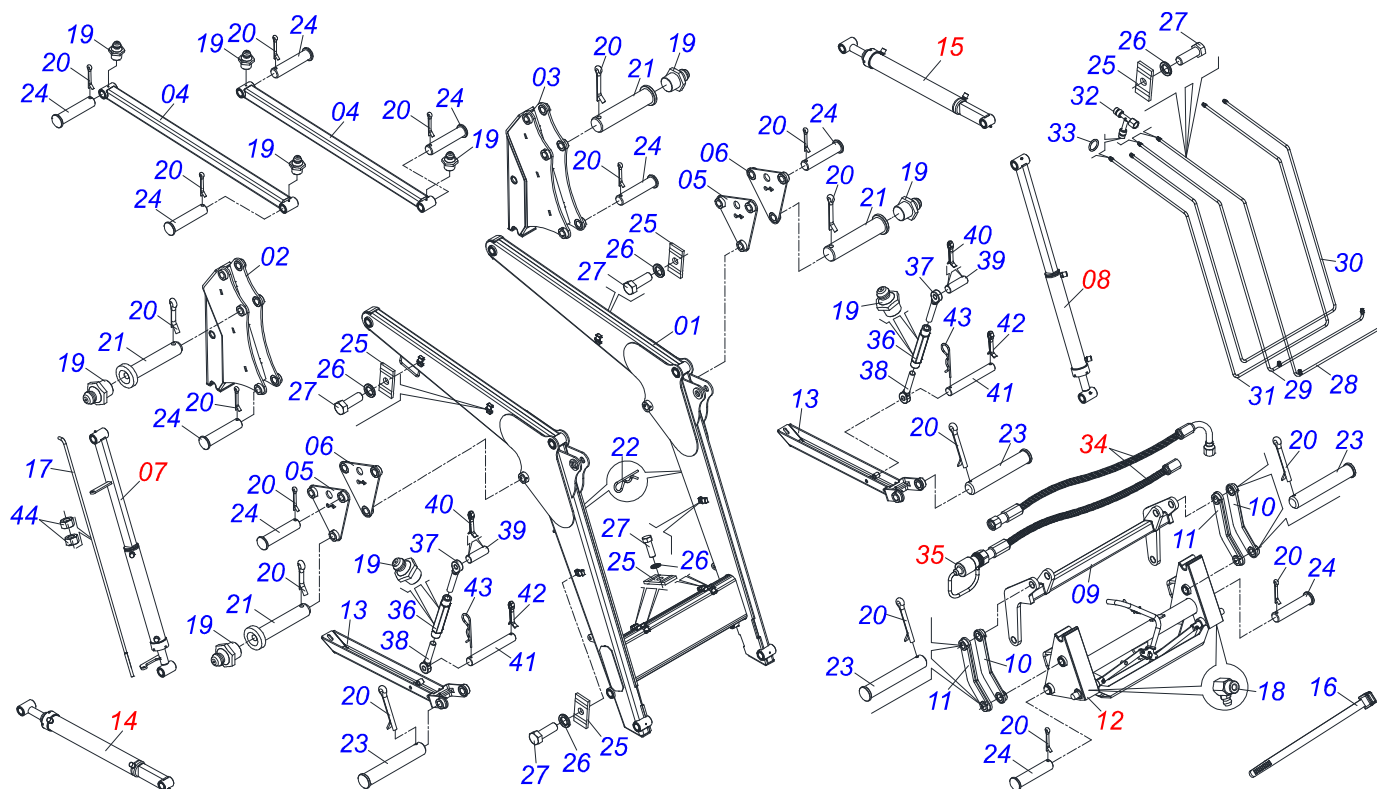
Code	Description
0106111162	PCA-T 1750 BM110/125 BTSC S-1007

ATTENTION: **IMPORTANT**

MARCHESAN S/A RESERVES THE RIGHT AT ANY TIME TO MAKE IMPROVEMENTS IN THE DESIGN, MATERIAL OR SPECIFICATIONS OF MACHINERY, EQUIPMENT OR PARTS WITHOUT THEREBY BECOMING LIABLE TO MAKE SIMILAR CHANGES IN MACHINERY, EQUIPMENT OR PARTS PREVIOUSLY SOLD.

INDEX

0511048937	FULL MOBILE SUPPORT BT	1
0909091802	FRAME ASSY	2
0511045574	HYDRAULIC CYLINDER	3
0511045575	HYDRAULIC CYLINDER	4
0511043359	ARTICULATION ASSY	5
0511057996	HYDRAULIC CYLINDER	6
0511058003	HYDRAULIC CYLINDER	7
0501053834	QUICK CONECTION (MALE) 1/2NPT	8
0511057098	HOSE KIT MOBILE SUPPORT FULL	9
0511048239	LDA 2600 WITHOUT SHOE	10

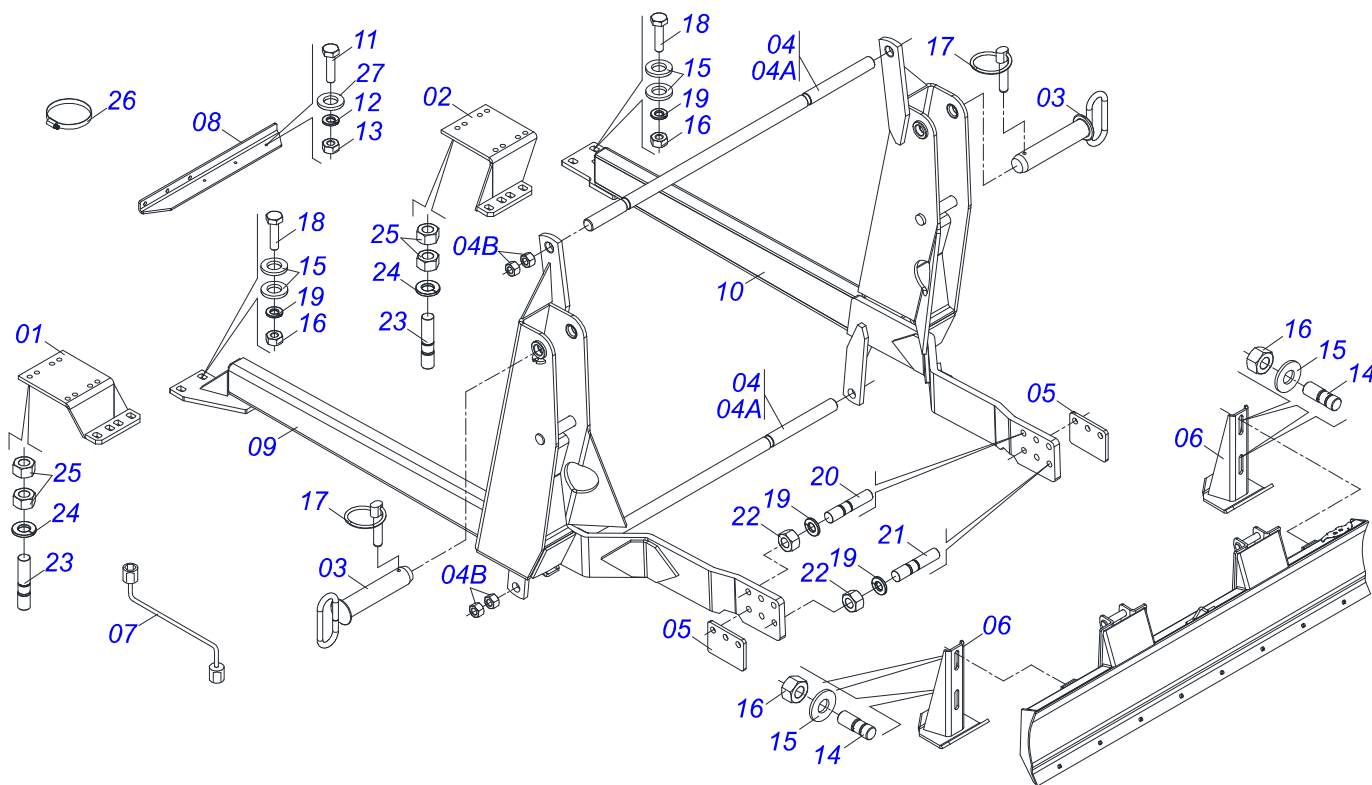


Item	Code	Description	QT
001	0511066107	MOBILE SUPPORT	01
002	0521061164		01
003	0521061165		01
004	0511066074	ARM PIVOT	02
005	0511066116	COPY ROCKER ARM	02
006	0521062748		02
007	0511045574	HYDRAULIC CYLINDER	01
008	0511045575	HYDRAULIC CYLINDER	01
009	0511066079	LARGER COPY	01
010	0511066123	SMALLER COPY	02
011	0511066120	LEFT SMALLER COPY	02
012	0511043359	ARTICULATION ASSY	01
013	0511066078	PLOUGH SUPPORT	02
014	0511057996	HYDRAULIC CYLINDER	01
015	0511058003	HYDRAULIC CYLINDER	01
016	0503013527		04
017	0561012100		01
018	0503010003	3/8" GREASE FITTING	02
019	0503010002	GREASE FITTING	12
020	0503010073	3/8" X 3-1/2" COTTERPIN	18
021	0541014981	1.5" X 6.3" COUPLING SHAFT	04
022	0503030168	HAIR PIN	02
023	0561011939	JUNCTION AXLE	06
024	0561014067		10
025	0531011180	UPPER CLAMP BODY	13
026	0503010025	3/8" SPRING WHASHER	13
027	0503010237	3/8" X 1" BOLT	13
028	0511066211	PIVOT CYL SMALLE TUBE	01
029	0511066210	PIVOT CYL LARGER TUBE	01
030	0511066209	MOBILE SUPPORT CYL LARGER TUBE	01
031	0511066208	MOBILE SUPPORT CYL SMALLE TUBE	01
032	0503030964	T CONNECTOR	02
033	0503011030	2-014 N 3006-9B O'RING	22

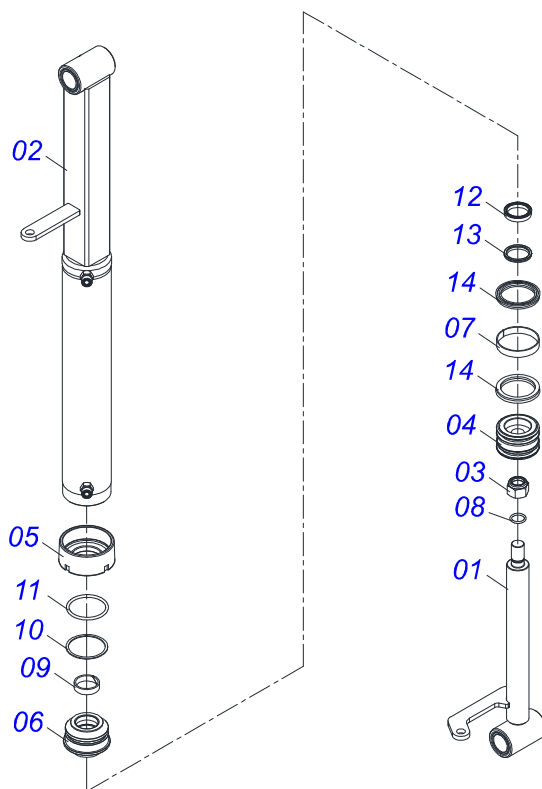


Item	Code	Description	QT
034	0511057098	HOSE KIT MOBILE SUPPORT FULL	01
035	0501053834	QUICK CONECTION (MALE) 1/2NPT	04
036	0502012530		02
037	0502012562		02
038	0502012529		02
039	0561015578		02
040	0503010300	5/32" X 1" COTTERPIN	04
041	0521012777	COUPLING SHAFT	02
042	0503010071	3/16" X 1" COTTERPIN	02
043	0503030012	HAIR PIN	02
044	0503010013	5/8" NUT	02

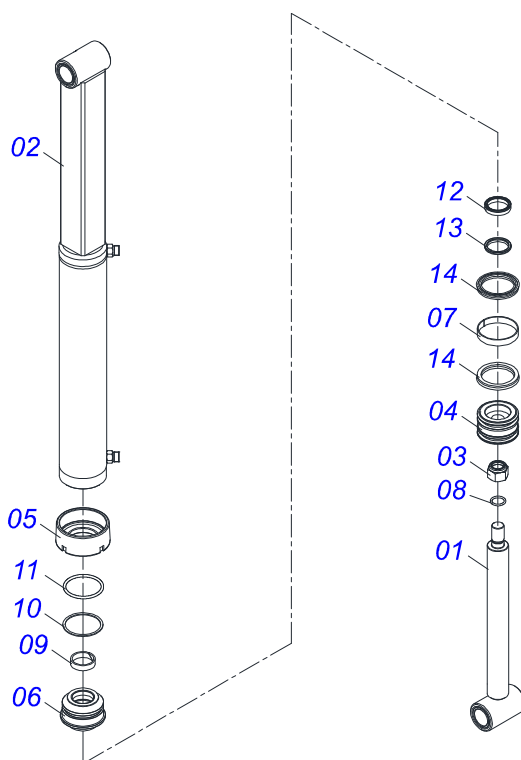
FRAME ASSY



Item	Code	Description	QT
01	0501063145	RH FRAME BRACKET	01
02	0501063146	LH FRAME BRACKET	01
03	0511064410	1.5" X 8.1" COUPLING SHAFT	02
04	0501043212	ROD 1.1/4" NC X 3.818" ASSY	02
04A	0501014915	ROD 1.1/4" NC X 3.818"	01
04B	0501010087	1.1/4" UNC NUT	04
05	0531016041	BEATER	02
06	0501063411	ESTABILIZER BRACKET	02
07	0501068213	5/8" WRENCH DOUBLE	01
08	0561019292	SUPPORT FIXER BOX OF TOOLS	01
09	0511069360	RIGHT FRAME	01
10	0511069361	LEFT FRAME PCA	01
11	0503010461	1/4" X 1" BOLT	03
12	0503010143	1/4" SPRING WASHER	03
13	0503010144	1/4" NUT	03
14	0561016756	3/4 UNC X 3/4 UNC X 56 PRISONER	04
15	0501010322	FLAT WASHER	12
16	0503010014	3/4" NUT	08
17	0503030430	7/16 X 2" PIN LOCK	02
18	0501010500	3/4" X 3" BOLT	04
19	0503010023	3/4" SPRING WASHER	16
20	0511014680	3/4" UNF X 85 STUD	06
21	0501010603	3/4" X 3.74" STUD	06
22	0503010335	3/4" NUT	12
23	0501011426	5/8" X 5/8" X 9.45" STUD	08
24	0503010027	5/8" SPRING WASHER	08
25	0503010013	5/8" NUT	16
26	0503011266	CLAMP 2.1/4" A 3" 57-76	01
27	0511017303	FLAT WASHER	03

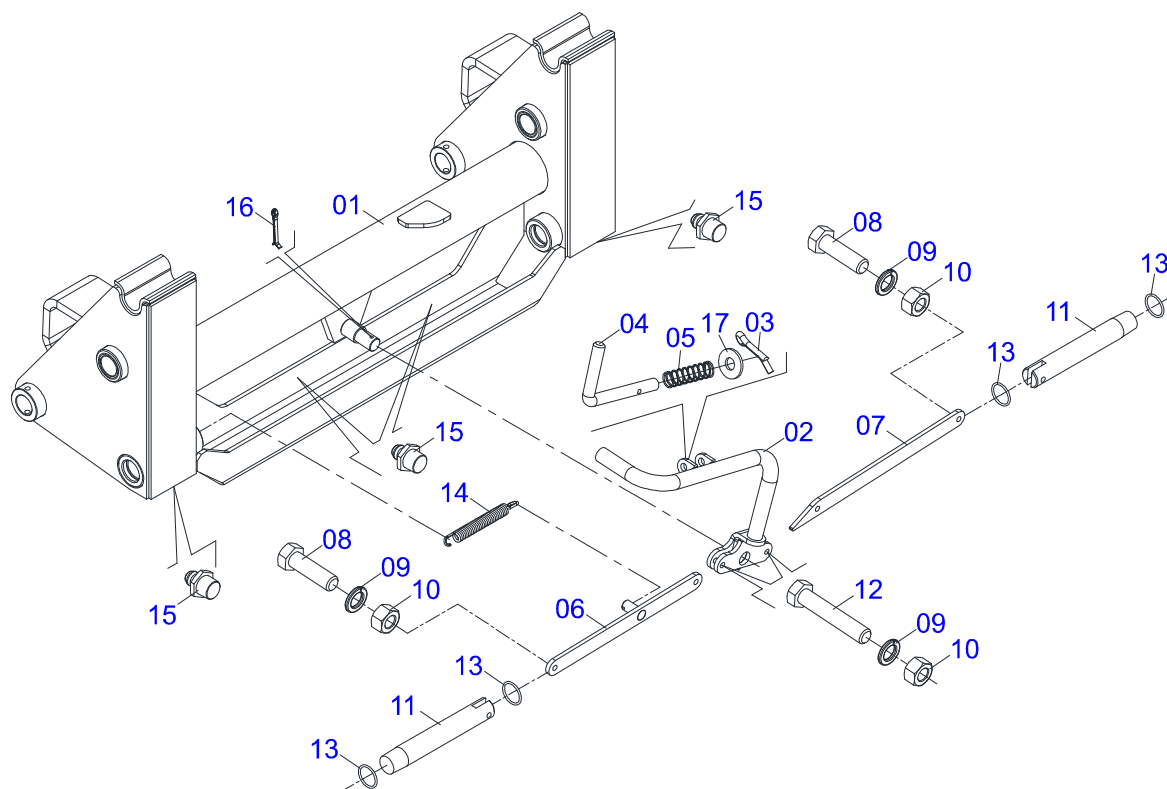


Item	Code	Description	QT
001	0511068256		01
002	0511068254		01
003	0503010063	1" SELF-ALIGNING NUT	01
004	0502010843	1.8" X 3.4" PISTON	01
005	0502010993	DETACHABLE COVER	01
006	0502010781	RING SUPPORT	01
007	0503010948	W4-3346-590 PK RING G.E	01
008	0503010042	2-214 N 3006-9B O'RING	01
009	0503010949	W2-2000-500 PK RING G.E	01
010	0503011060	8-336 BACK-UP RING	01
011	0503010976	2-336 N 3006-9B O'RING	01
012	0503010990	GASKET	01
013	0503010761	D-1750 SCRAPER RING	01
014	0503010170	PACKING 3120 2750	02

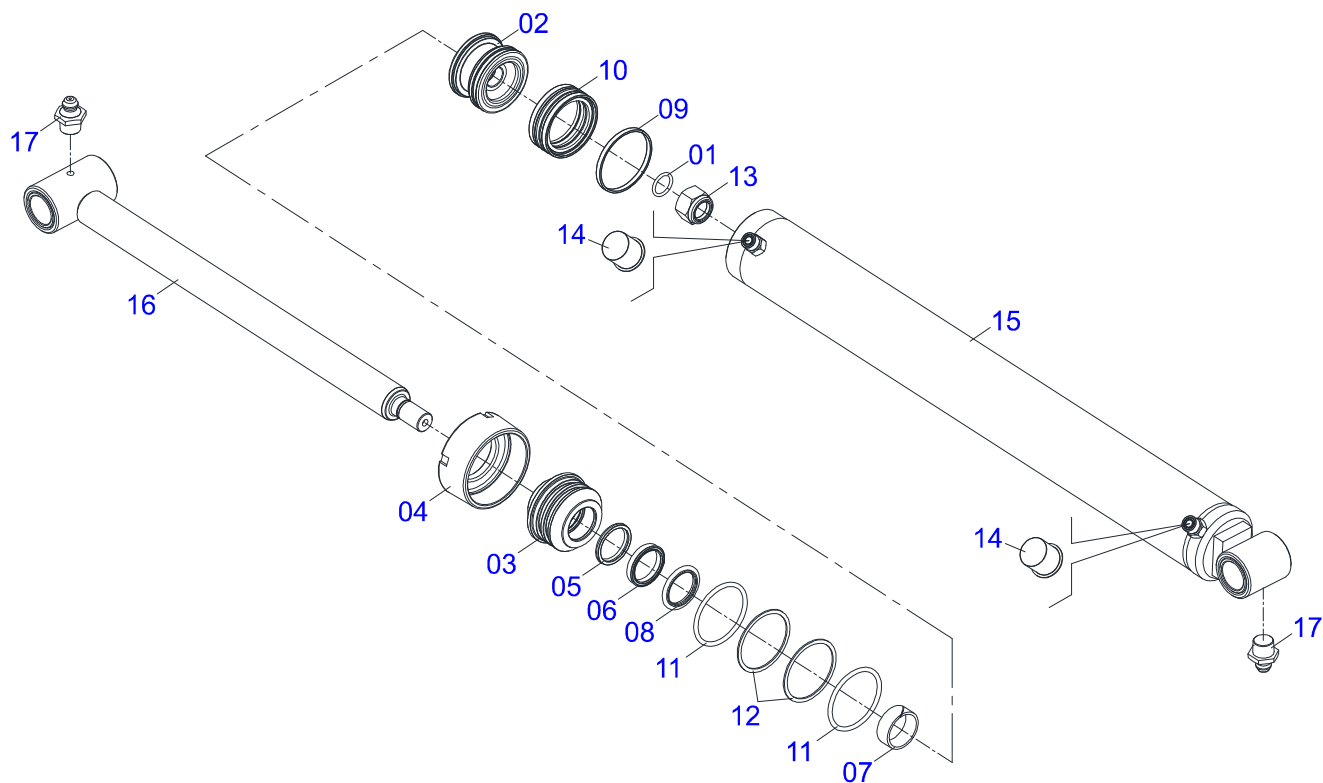


Item	Code	Description	QT
001	0511068257		01
002	0511068255		01
003	0503010063	1" SELF-ALIGNING NUT	01
004	0502010843	1.8" X 3.4" PISTON	01
005	0502010993	DETACHABLE COVER	01
006	0502010781	RING SUPPORT	01
007	0503010948	W4-3346-590 PK RING G.E	01
008	0503010042	2-214 N 3006-9B O'RING	01
009	0503010949	W2-2000-500 PK RING G.E	01
010	0503011060	8-336 BACK-UP RING	01
011	0503010976	2-336 N 3006-9B O'RING	01
012	0503010990	GASKET	01
013	0503010761	D-1750 SCRAPER RING	01
014	0503010170	PACKING 3120 2750	02

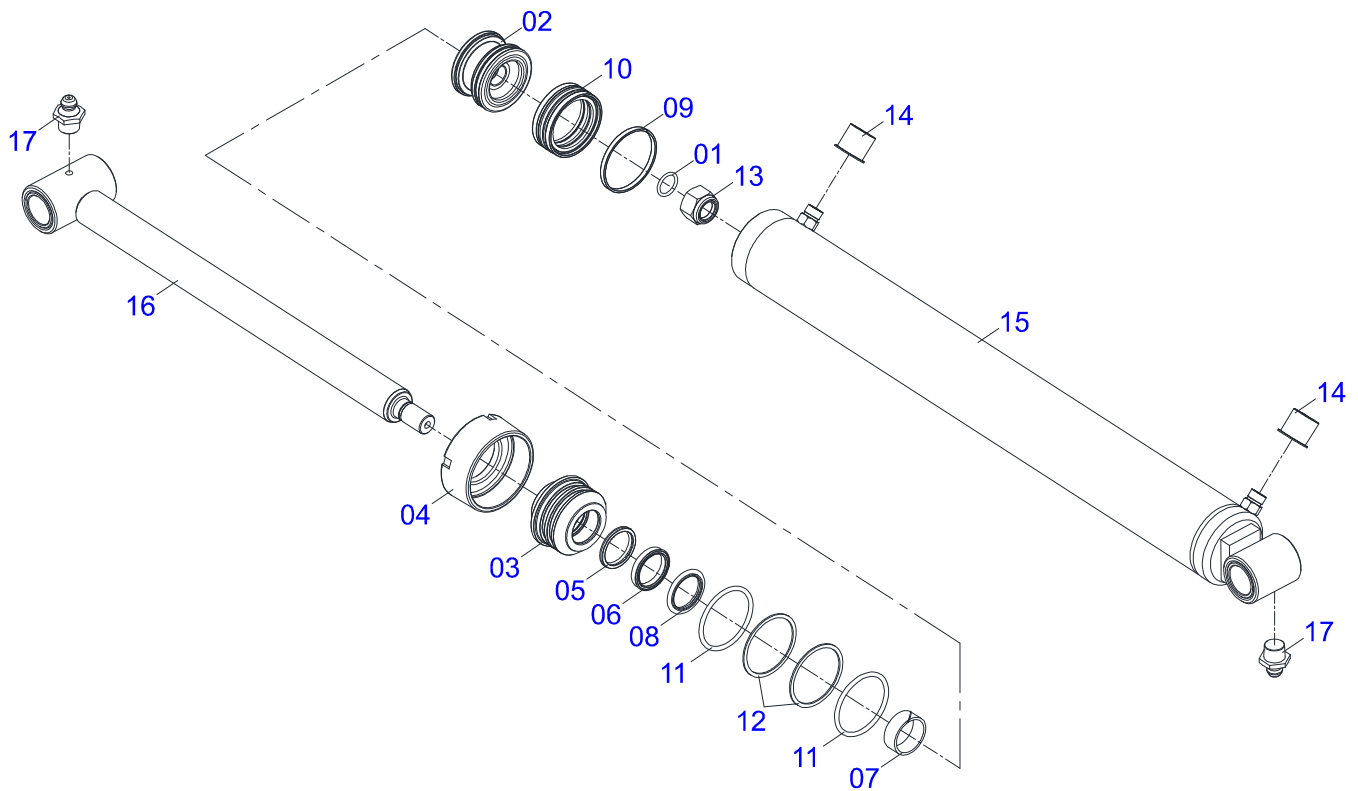
ARTICULATION ASSY



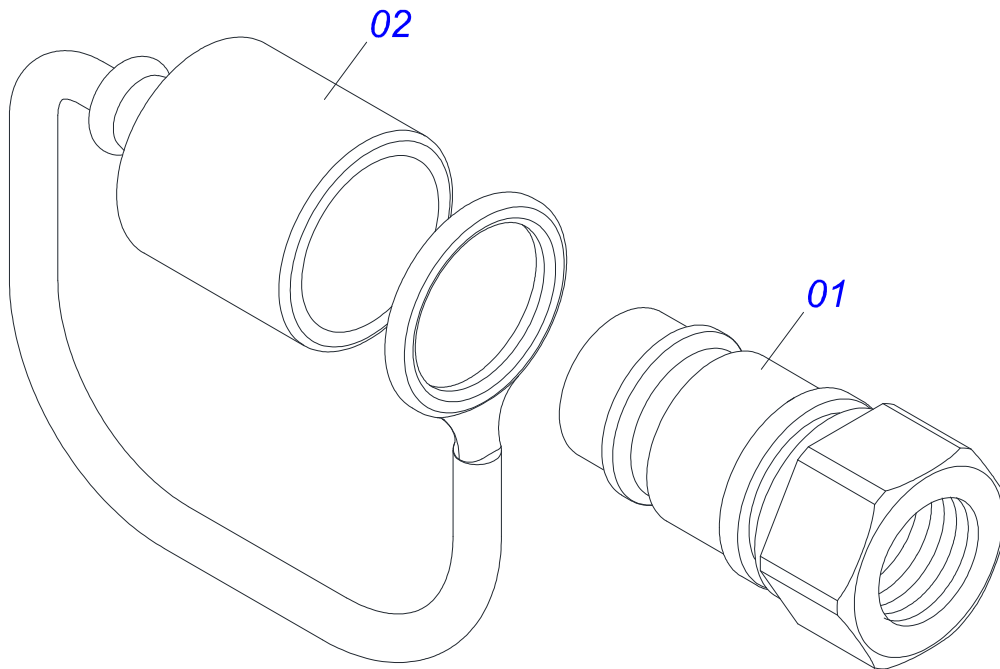
Item	Code	Description	QT
01	0511066088	ARTICULATION	01
02	0521060524	DISARM LEVER	01
03	0503010071	3/16" X 1" COTTERPIN	01
04	0541014962	DISASSEMBLE TRIGGER	01
05	0503032132	COMPRESSION SPRING	01
06	0511066181	ARM DISARM	01
07	0541014964	BODY LEFT ARM DISARM	01
08	0503010849	3/8" X 1-1/2" BOLT	02
09	0503010025	3/8" SPRING WHASHER	04
10	0503010026	3/8" NUT	04
11	0541014963	LOCK PIN PCA-T 1750	02
12	0501010096	3/8" X 2" BOLT	02
13	0503010285	2-222 N 3006-9B O'RING	04
14	0503031574	6.9" X 0.8" X 0.1" EXTENSION SPRING	01
15	0503010002	GREASE FITTING	04
16	0503010571	1/4" X 1.1/2" COTTERPIN	01
17	0511017302	FLAT WASHER	01



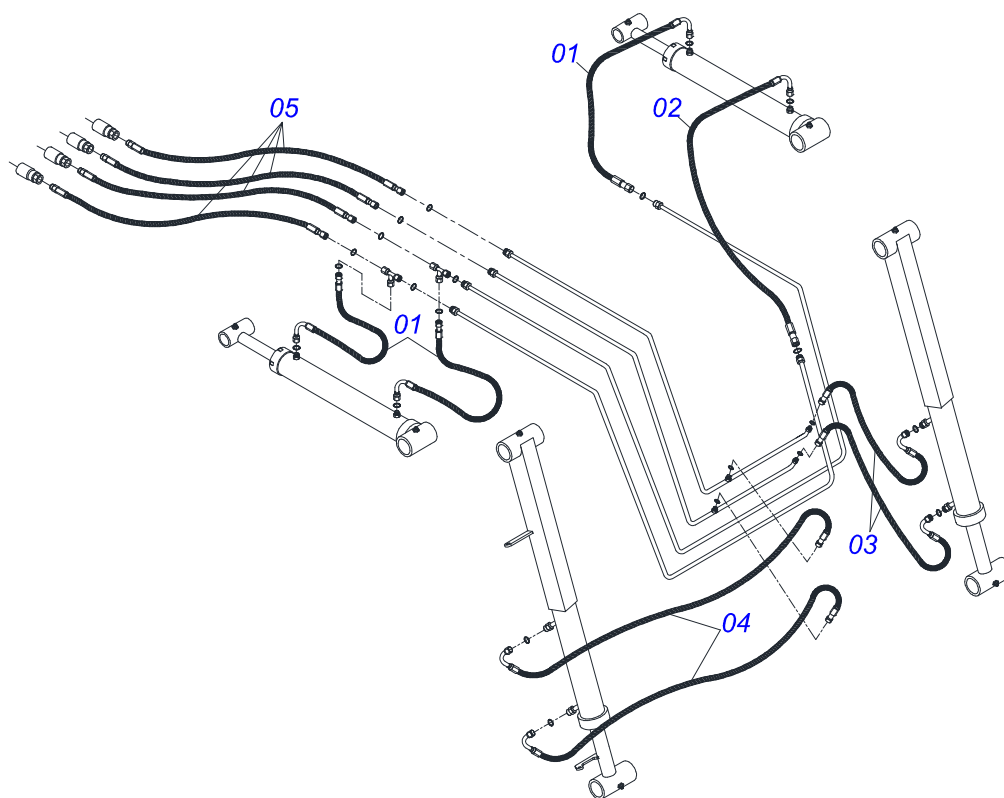
Item	Code	Description	QT
001	0503010042	2-214 N 3006-9B O'RING	01
002	0571019710	1.7" X 3.4" PISTON	01
003	0571019711	RING SUPPORT	01
004	0571019709	DETACHABLE COVER	01
005	0503010761	D-1750 SCRAPER RING	01
006	0503017937	GASKET	01
007	0503017938	RING GUIDE	01
008	0503017936	RING	01
009	0503018144	RING	01
010	0503017935	RING	01
011	0503017939	2-337 N 3006-9B O' RING	02
012	0503017940	8-337 BACK-UP RING	02
013	0503010063	1" SELF-ALIGNING NUT	01
014	0503030387	PLUG	02
015	0511066174		01
016	0511066172	1.5" X 36.6" TURNBUCLE	01
017	0503010002	GREASE FITTING	02



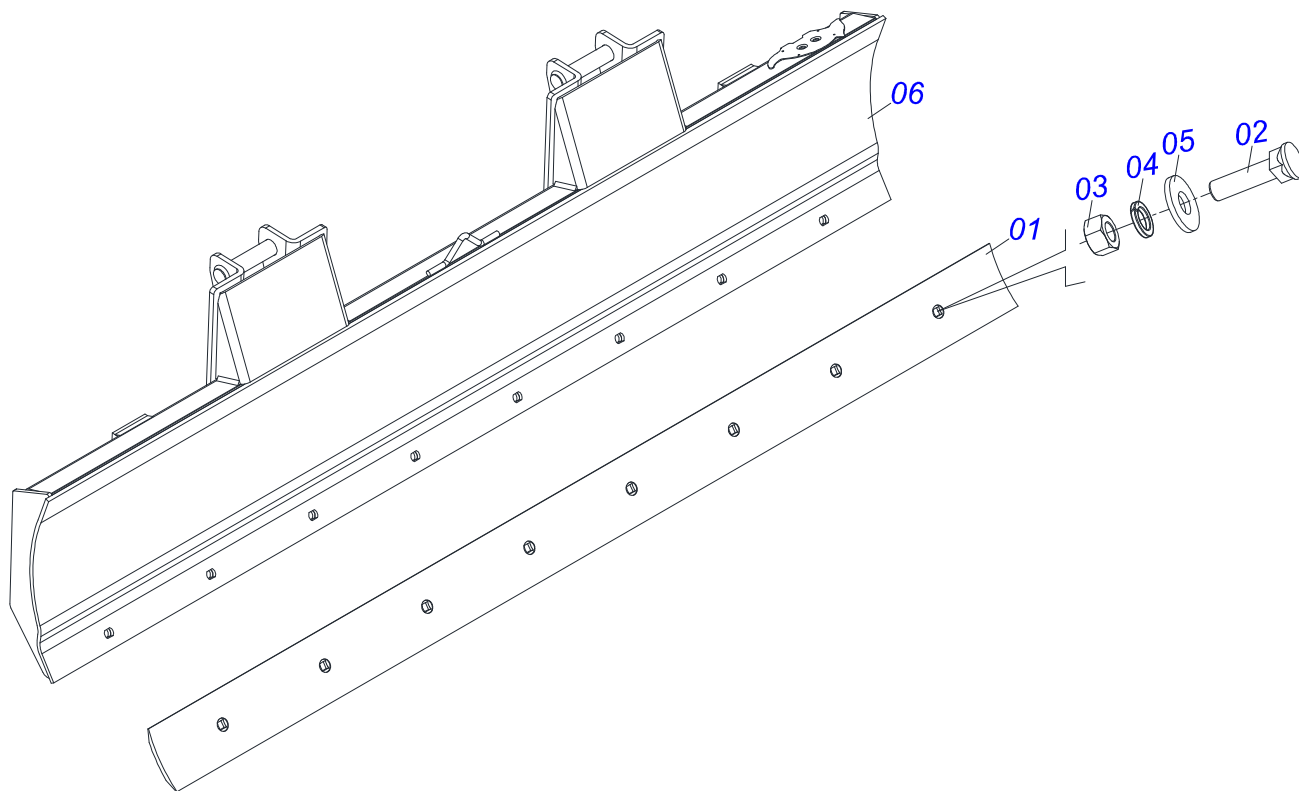
Item	Code	Description	QT
001	0503010042	2-214 N 3006-9B O'RING	01
002	0571019710	1.7" X 3.4" PISTON	01
003	0571019711	RING SUPPORT	01
004	0571019709	DETACHABLE COVER	01
005	0503010761	D-1750 SCRAPER RING	01
006	0503017937	GASKET	01
007	0503017938	RING GUIDE	01
008	0503017936	RING	01
009	0503018144	RING	01
010	0503017935	RING	01
011	0503017939	2-337 N 3006-9B O' RING	02
012	0503017940	8-337 BACK-UP RING	02
013	0503010063	1" SELF-ALIGNING NUT	01
014	0503030387	PLUG	02
015	0521066473		01
016	0511066172	1.5" X 36.6" TURNBUCLE	01
017	0503010002	GREASE FITTING	02



Item	Code	Description	QT
01	0503011627	QUICK CONNECTION (MALE) AGR 1/2 NPT	01
02	0503011882	QUICK CONNECTION COVER	01



Item	Code	Description	QT
001	0501080969	1/2" X 29.5" TR-TC OFS HOSE	03
002	0501080554	1/2" X 27.6" TR-TC OFS HOSE	01
003	0501080970	1/2" X 23.6" TR-TC OFS HOSE	02
004	0501080971	1/2" X 33.46" TR-TC HOSE ASSY	02
005	0501080917	1/2" X 5500 TR-TM HOSE ASSY	04



Item	Code	Description	QT
001	0622360011	2600 SCRAPER REVERSIBLE	01
002	0501012240	5/8" X 2-1/2" BOLT	08
003	0503010013	5/8" NUT	08
004	0503011445	5/8" SPRING WASHER	08
005	0501012140	FLAT WASHER	08
006	0521061289		01



MARCHESAN IMPLEMENTOS E MÁQUINAS AGRÍCOLAS TATU S.A.

AV. Marchesan, 1979 - Post office box, 131 - CEP 15994-900 - Matão - SP - Brazil

Phone +55 16.3382-8282

(FAX Parts) + 55 16.3382. 8297 - (Export) + 55 16.3382.1003

e.mail: tatu@marchesan.com.br www.marchesan.com.br

*Drafting and Illustration = GASPARI
e.mail = jgaspari@marchesan.com.br*

**ORIGINAL PARTS
TATU**

