

**ROTARY CUTTERS**

**RC2E 4500**

**Code:** 0501091679

**Series:** S-0214

**Revision:** 00

**Date Revision:** MARÇO/2023

# PARTS CATALOGUE



**MARCHESAN**



# PRODUCTS

Code	Description
0104070031	RC2/E 4500 C/PROT CORR S-0214
0104070031C	RC2/E 4500 C/PROT CORR EXP S-0214

## ATTENTION: IMPORTANT

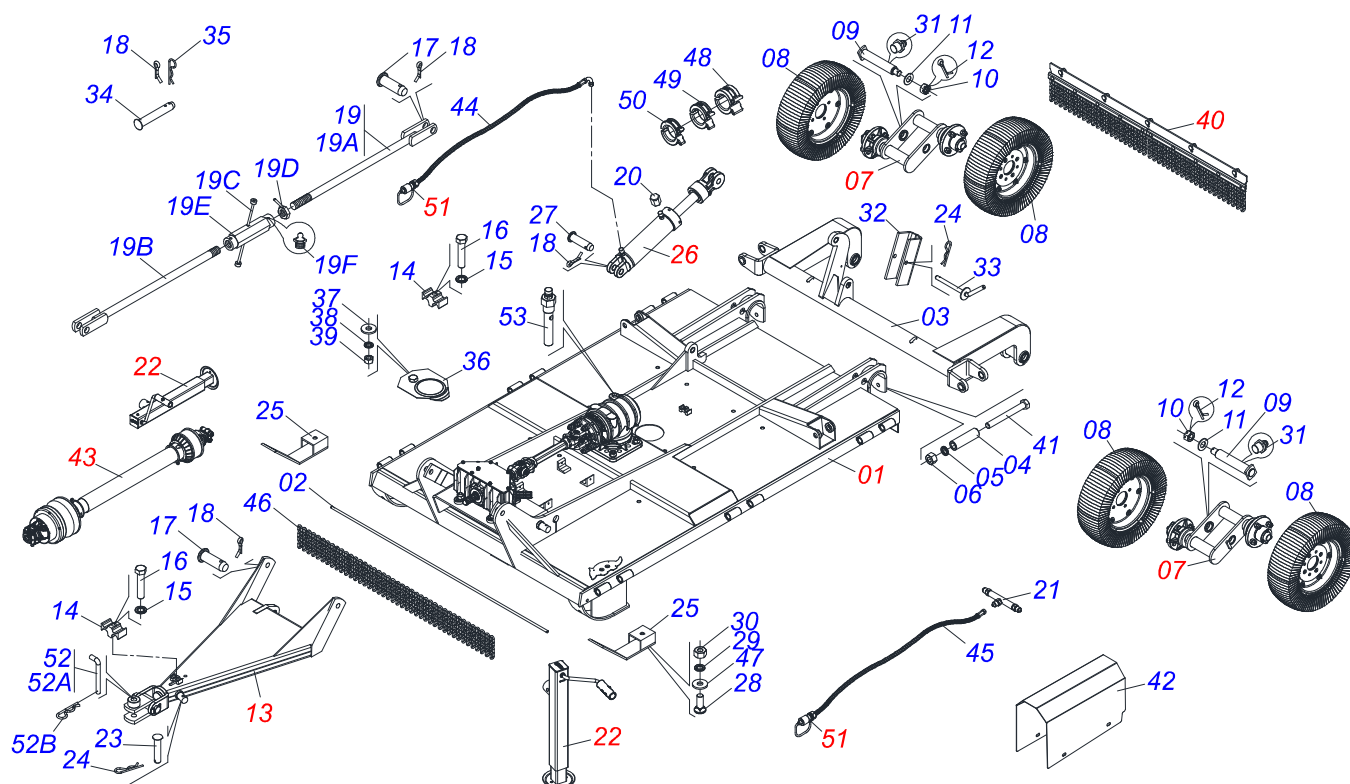
Marchesan S.A. reserves the right to improve and/or modify the technical features of its products, without obligation to do the same with those products already sold and without prior knowledge of the dealer or the customer. The photos are only illustrative.



**MARCHESAN**

# INDEX

0909090929	CENTER FRAME	.....	1
0511056988	ASSY FRAME	.....	2
0511055456	DRAWBAR W/ COUPLING OF THE TRACTOR	.....	3
0501049130	DRIVE SHAFT	.....	4
0501047953	90 KGM FRICTION	.....	5
0501046948	MULTIPLIER	.....	6
0501056329	SUPPORT ROTARY CUTTER BLADES	.....	7
0501044074	TRIPE DISTRIBUTOR	.....	8
0501049129	DRIVE SHAFT	.....	9
0503062157	DRAWBAR JACK	.....	10
0511048941	ARM ASSY	.....	11
0511058441	HYDRAULIC CYLINDER 44,45 X 85,70 X 540 X 179	.....	12
0511054959	CHAIN PROTECTION	.....	13
0501053834	MALE QUICK COUPLER	.....	14
0909090930	RIGHT SIDE FRAME	.....	15
0511055634	RIGHT SIDE FRAME ASSY	.....	16
0501046978	SPEED MULTIPLIER	.....	17
0501056334	RIGHT SUPPORT ROTARY CUTTER BLADES	.....	18
0501054971	SIDE WHEEL WITHOUT TIRE	.....	19
0511058442	HYDRAULIC CYLINDER	.....	20
0511044473	FRONT WHEEL RIGHT WITH ASSY PROTECTION	.....	21
0501049131	DRIVE SHAFT	.....	22
0511054960	CURRENT PROTECTION	.....	23
0511054961	CURRENT PROTECTION	.....	24
0511054962	CURRENT PROTECTION	.....	25
0511054963	CURRENT PROTECTION	.....	26
0909090931	LEFT SIDE FRAME	.....	27
0511055635	LEFT SIDE FRAME ASSY	.....	28
0501056335	LEFT ROTARY SUPPORT 340	.....	29
0909091430	(SHEET METAL SUPPORT)SPARE	.....	30
0511040988	PROTECTION WHEELS REAR ASSY	.....	31

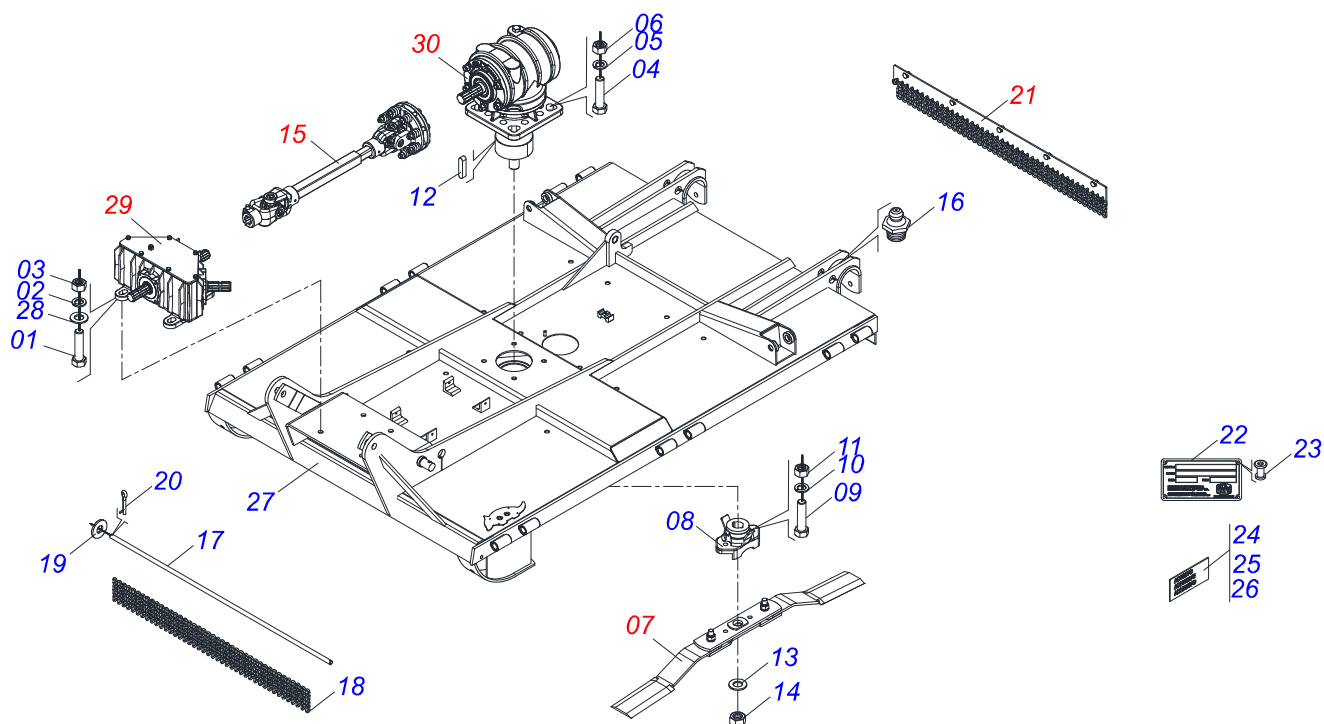


Item	Code	Description	See page	QT
01	0511056988	ASSY FRAME	2	01
02	0511012252	63" ROD OF THE CHAIN		01
03	0521061862	CENTRAL CARRYING WHEELS		01
04	0511017147	0.8" X 1.2" X 4.1" BUSHING		02
05	0503010023	3/4" SPRING WASHER		02
06	0503010014	3/4" HEX NUT		02
07	0511048941	ARM ASSY	11	02
08	0501043559	SEGMENTED WHEEL 525		04
09	0521061864	ROCKER ARM PIVOT SHAFT		02
10	0503030009	1" CASTLE NUT		02
11	0501010623	FLAT WASHER		02
12	0503010010	1/4" X 2.1/2" COTTERPIN		02
13	0511055456	DRAWBAR W/ COUPLING OF THE TRACTOR	3	01
14	1902012702	UPPER CLAMP BODY		02
15	0503010180	7/16" SPRING WASHER		02
16	0503012555	SCREW 7/16 UNC X 2 CS RT G.7 ZN		02
17	0521010572	0.9" X 2.9" COUPLING SHAFT		03
18	0503010571	1/4" X 1.1/2 COTTERPIN		07
19	0511055033	ROD STABILIZER		01
19A	0521064850	ROD STABILIZER		01
19B	0521064851	ROD STABILIZER		01
19C	0521064756	ADJUSTING NUT		01
19D	0501064974	LOCKNUT WITH HANDLER		01
19E	0501066104	VARON RIGTH JACK CABLE		01
19F	0503010002	1800 GREASE FITTING		02
20	0511017628	BREATHING HOLE OF THE CYLINDER HIDR		03
21	0501072676	OIL DISTRIBUTOR BODY		01
22	0503062157	DRAWBAR JACK	10	02
23	0521010549	COUPLING SHAFT		01
24	0503030168	HITCH PIN CLIP		02
25	0511063680	SKATE GUIDES SUPPORT		02



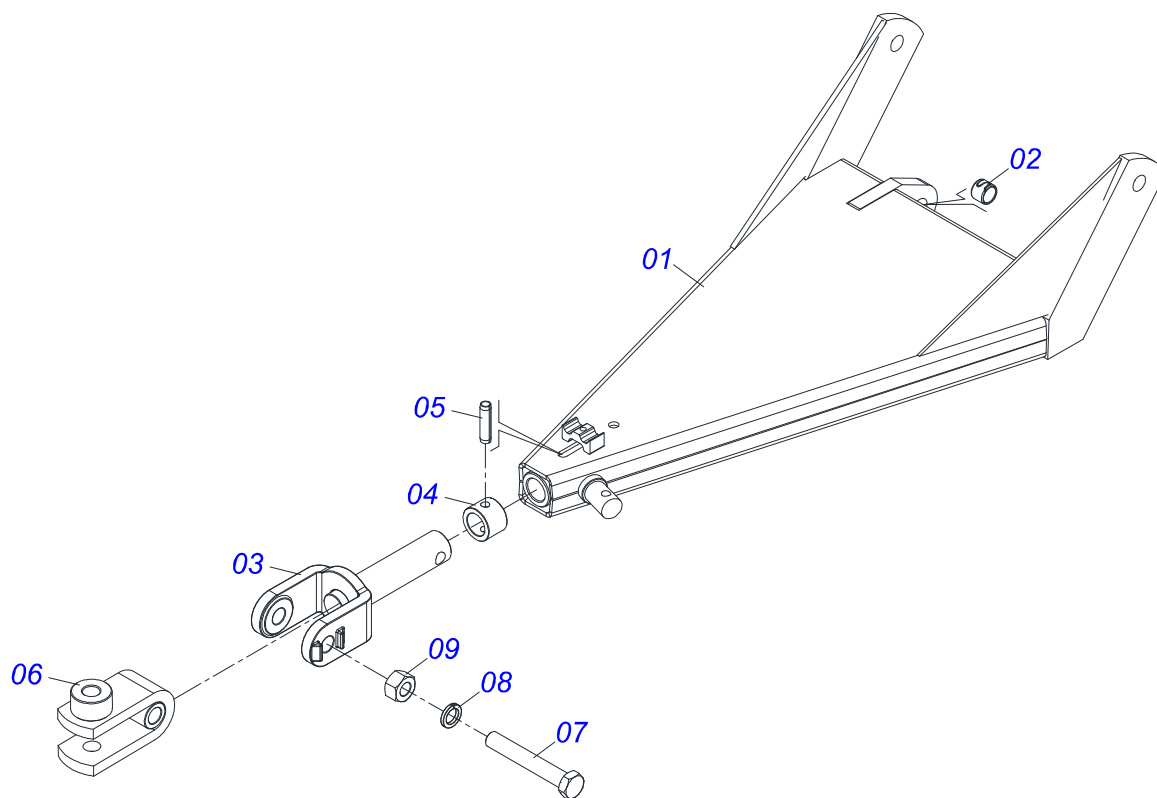
RC2E 4500  
CENTER FRAME

Item	Code	Description	See page	QT
26	0511058441	HYDRAULIC CYLINDER 44,45 X 85,70 X 540 X 179	12	01
27	0521010575	C0.9" X 3.3" COUPLING SHAFT		02
28	0503012956	1/2" X 1-1/2" BOLT		04
29	0503010019	1/2" SPRING WASHER		04
30	0503010020	1/2"NUT		04
31	0503010002	1800 GREASE FITTING		02
32	0521014258	LOCK BOLT		01
33	0501068994	8,30 X 78 LOCK PIN		01
34	0521010586	0.9" X 6.1" COUPLING SHAFT WITH 2 H		02
35	0503030012	HITCH PIN CLIP		02
36	0511010421	COVER CENTRAL BASE		01
37	0501010984	10,50 X 27 X 3,00 FLAT WASHER		01
38	0503010025	3/8 SPRING WASHER		01
39	0503010026	3/8" NUT		01
40	0511054959	CHAIN PROTECTION	13	01
41	0503011198	C3/4" X 6" SCREW		02
42	0571015952	CENTRAL PROTECTION COVER		01
43	0501049129	DRIVE SHAFT	9	01
44	0501080362	3/8" X 177" TC-TM HOSE		01
45	0501080405	3/8" X 169" TR-TM HOSE		01
46	0511011774	8,00 CHAIN 4 LINK		39
47	0511017302	FLAT WASHER 13,50 X 32,50 X 3,0 ZN		01
48	0501047888	45 ROD STOP		01
49	0501047885	30 ROD STOP		01
50	0501047895	25 ROD STOP		03
51	0501053834	MALE QUICK COUPLER	14	01
52	0501040343	DRAWBOLT ASSY		01
52A	0521010453	AXI SHAFT		01
52B	0503031035	HITCH PIN CLIP		01
53	0501110186	OIL SMALLER LEVEL INDICATOR		01

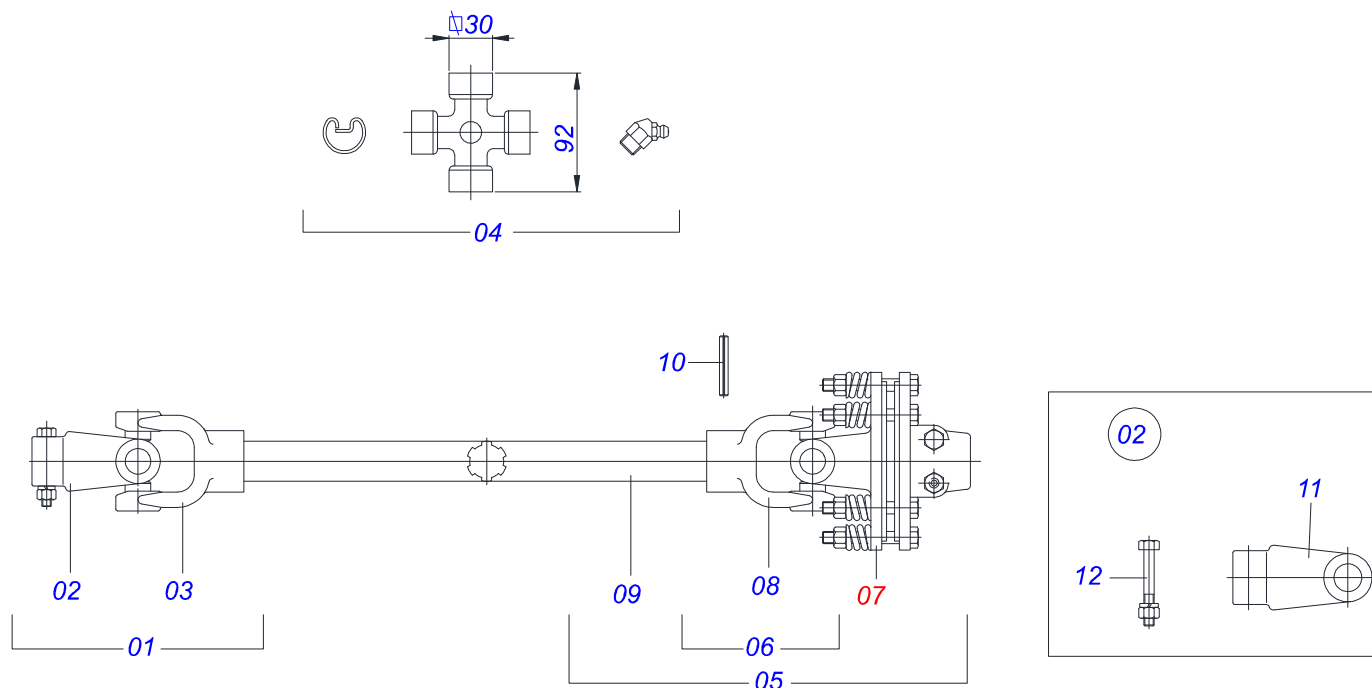


Item	Code	Description	See page	QT
01	0501010125	3/4" X 2-1/2" BOLT		04
02	0503011442	3/4" SPRING WASHER		04
03	0503010014	3/4" HEX NUT		04
04	0503013122	3/4 UNC X 4.1/4 CAPQ G.5 ZNBOLT		04
05	0503011442	3/4" SPRING WASHER		04
06	0503010014	3/4" HEX NUT		04
07	0501056333	CENTER ROTARY SUPPORT 540		01
08	0502012453	SUPPORT FLANGE		01
09	0503013394	3/4" X 3" BOLT		02
10	0503011442	3/4" SPRING WASHER		02
11	0503010014	3/4" HEX NUT		02
12	0501010536	KEYWAY SQUARE		02
13	0501017779	32 X 60 X 4.75 FLAT WASHER		01
14	0503010817	1.1/4" SELF LOCKING NUT		01
15	0501049130	DRIVE SHAFT	4	01
16	0503010002	1800 GREASE FITTING		02
17	0511012252	63" ROD OF THE CHAIN		01
18	0511011774	8,00 CHAIN 4 LINK		34
19	0511017302	FLAT WASHER 13,50 X 32,50 X 3,0 ZN		02
20	0503010300	5/32" X 1" COTTERPIN		02
21	0511054959	CHAIN PROTECTION	13	01
22	0503034003	SERIAL NUMBER TAG 61 X 118		01
23	0503010001	3.2 X 5.5 RIVET		04
24	0503032060	ADHESIVE LABEL		02
25	0503060899	SET LABEL ADHESIVE		01
26	0503032949	ADHESIVE LABEL		01
27	0521064817	CENTRAL REINFORCING PLATE FRAME		01
28	0501010322	FLAT WASHER		04
29	0501044074	TRIPLE DISTRIBUTOR	8	01
30	0501046948	MULTIPLIER	6	01

DRAWBAR W/ COUPLING OF THE TRACTOR

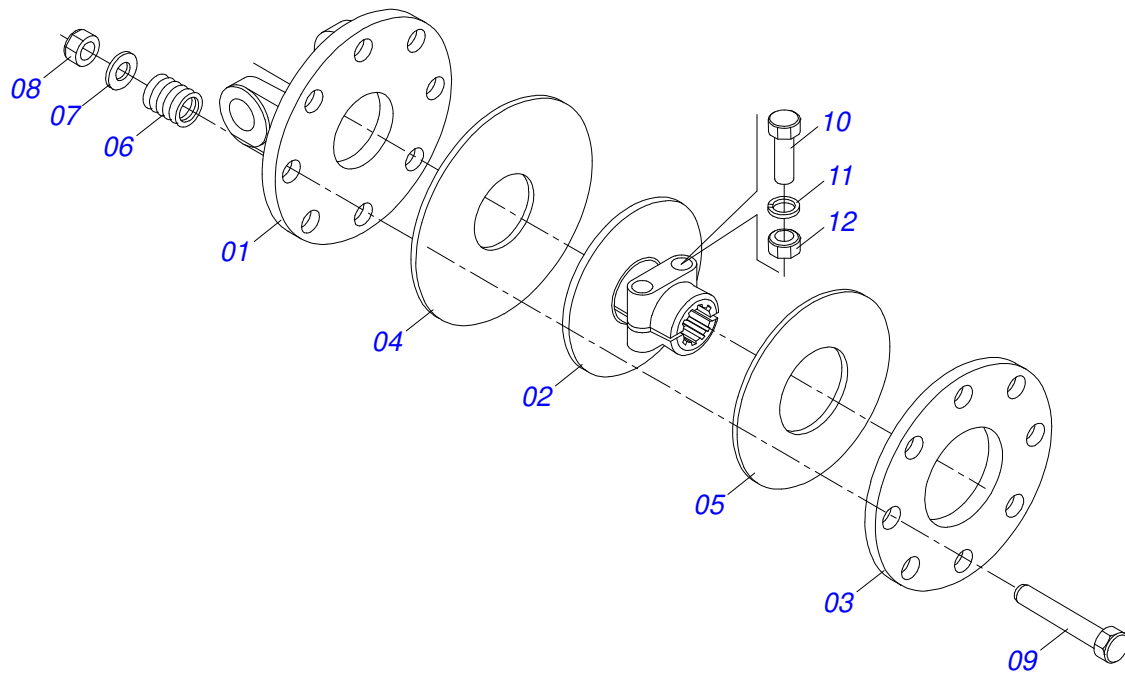


Item	Code	Description	See page	QT
01	0521064860	DRAWBAR		01
02	0511019921	1.3" X 0.1" X 1" SLEEVE		01
03	0521066536	ROTARY HITCH		01
04	0521010473	1.5" X 2.2" X 1.6" SLEEVE WITH HOLE		01
05	0503010815	0.5" X 2.16" SPRING PIN		01
06	0521065106	U COUPLING TRACTOR		01
07	0501010060	1" X 6-1/2" BOLT		01
08	0503011438	SPRING WASHER		01
09	0501010059	1.5/8 NUT		01

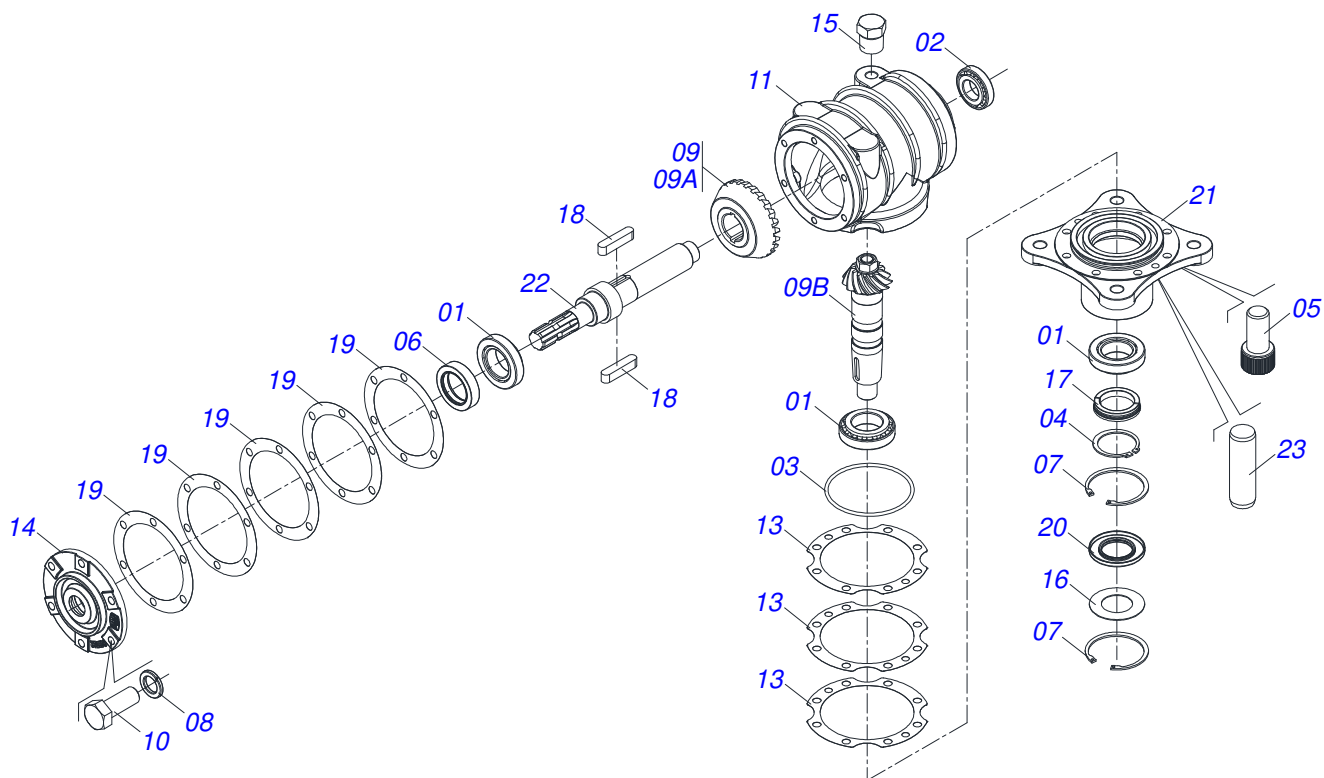


Item	Code	Description	See page	QT
01	0501052531	UNIVERSAL JOINT		01
02	0501052559	8-40 TERMINAL WITH SCREW		01
03	0503012611	T2-40E TERMINAL		01
04	0503012096	CROSSPIECE		02
05	0501052532	UNIVERSAL JOINT W/ CROSS/STR SHAFT		01
06	0501052533	UNIVERSAL JOINT WITH CROSSPIECE		01
07	0501047953	90 KGM FRICTION	5	01
08	0503012612	T2-40EF TERMINAL		01
09	0503012613	240 STRIATED AXLE		01
10	0503011877	0.3" X 2.4" SPRING PIN		01
11	0502011428	8-40 TERMINAL		01
12	0501047756	1/2" X 3" SET PARTS		01

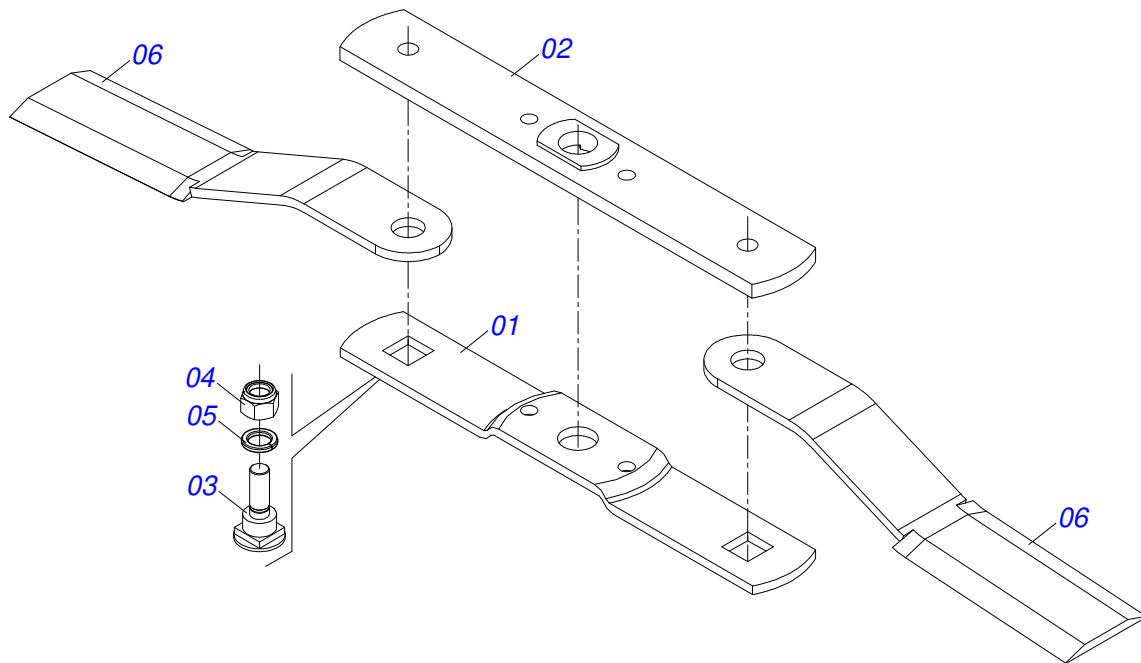




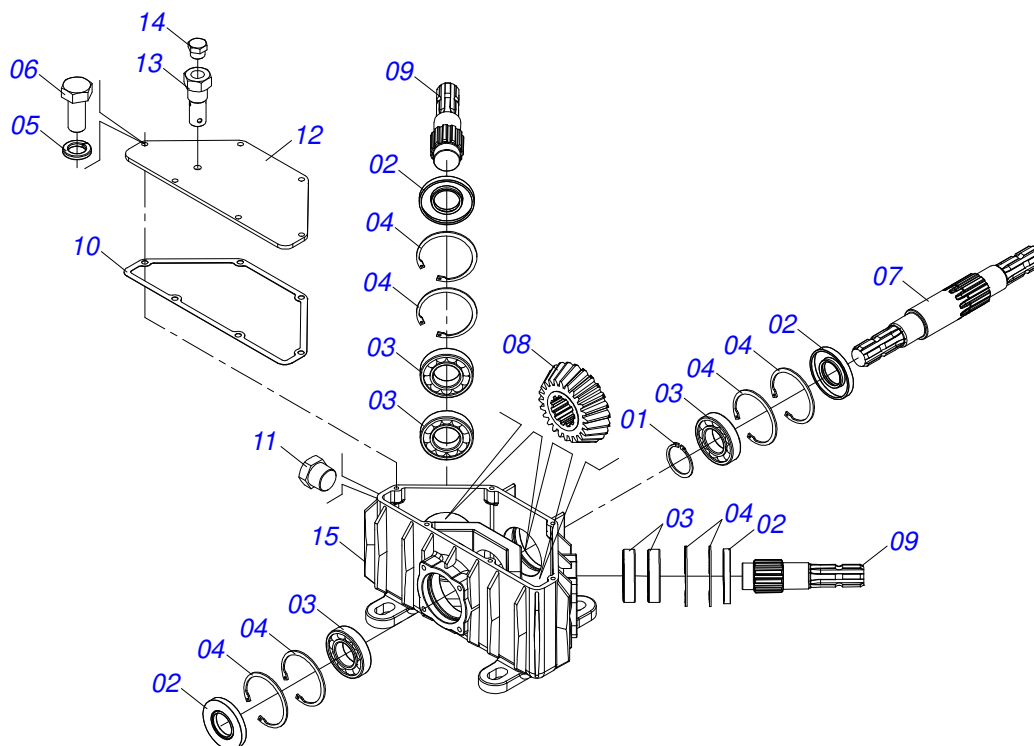
Item	Code	Description	See page	QT
01	0503012095	FRONT FLANGE		01
02	0503011869	CENTRAL FLANGE		01
03	0503011870	REAR FLANGE		01
04	0503031474	INNER FRICTION DISC		01
05	0503031478	OUTER FRICTION DISC		01
06	0503030630	1.02"X1.3"X0.2" COMPRESSION SPRING		08
07	0511017302	FLAT WASHER 13,50 X 32,50 X 3,0 ZN		08
08	0503011336	1/2" HEX SELF ADJUSTING NUT		08
09	0503010752	1/2" X 3.1/2" BOLT		08
10	0503010741	1/2" X 2-3/4" BOLT		02
11	0503010019	1/2" SPRING WASHER		02
12	0503010060	1/2 UNC G.5 ZN HEX NUT		02



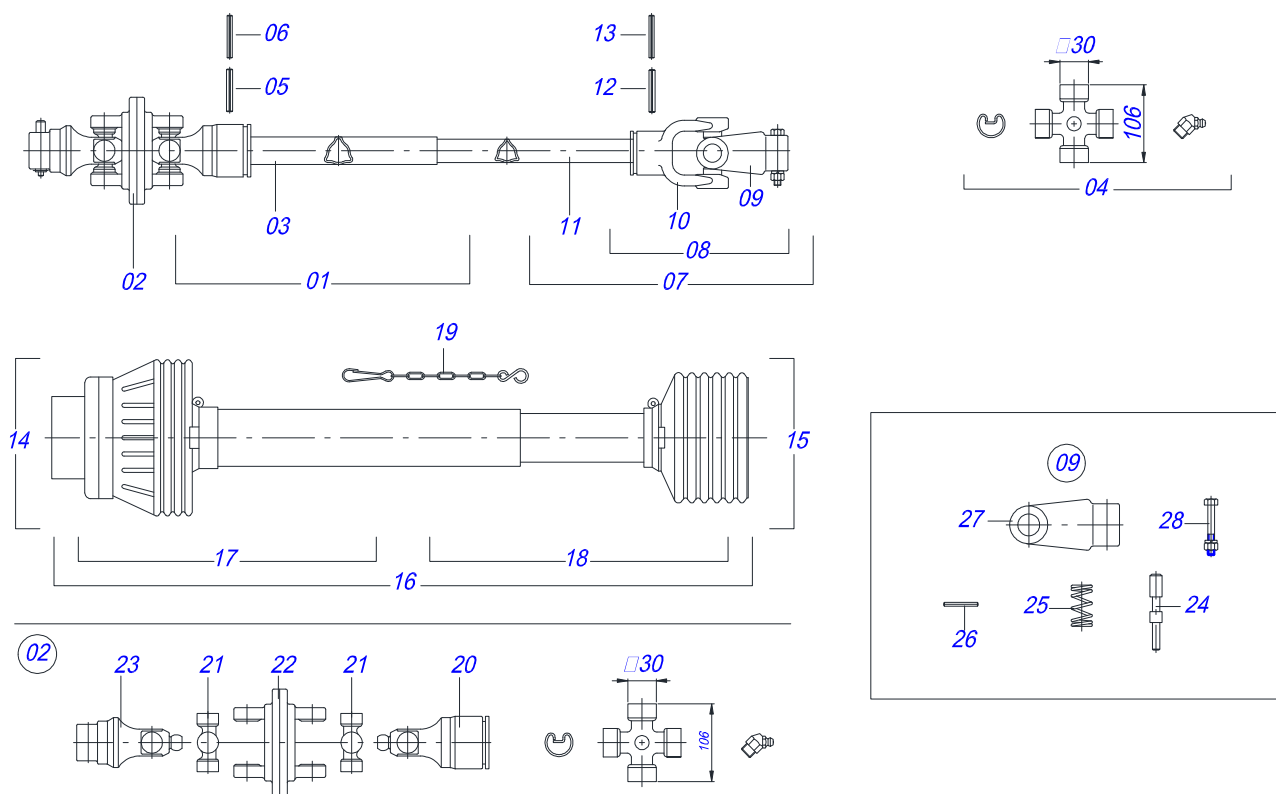
Item	Code	Description	See page	QT
01	0503010006	32210 ROLLER BEARING		03
02	0503010037	30207 ROLLER BEARING		01
03	0503010286	2-355 N 3006-9B O'RING		01
04	0503010396	501060 CLAMPING RING (FOR AXLE)		01
05	0503010562	1/2" X 1" BOLT		08
06	0503011171	00912-BRG SEAL		01
07	0503011190	SEAL RING		02
08	0503011440	SPRING WASHER		06
09	0503060211	CROWN PINION SET		01
09A	0503050069	25Z CONICAL GEAR		01
09B	0503061048	PINION		01
10	0503010395	1/2" X 1-1/4" BOLT		06
11	0502010984	LEFT MULTIPLIER BOX		01
12	3402301247	MINERAL OIL GREASE		2,5Lts
13	0503030785	7.9" X 5.9" X 0.008" JOINT		03
14	0502011152	SMALLER COVER		01
15	0503031604	1/2" BSP PLUG		01
16	0521018064	FLAT WASHER		01
17	0511010142	LOCK RING		01
18	0501010536	KEYWAY SQUARE		02
19	0503030783	7.1" X 5.3" X 0.008" JOINT		05
20	0503011047	5089 SEAL		01
21	0502011393	LOWER HUB		01
22	0503050067	UPPER AXLE		01
23	0503017877	PIN GUIDE		02



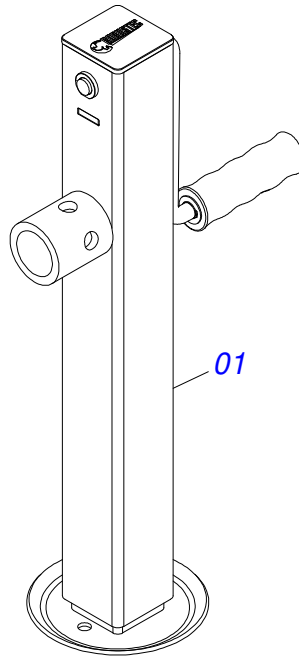
Item	Code	Description	See page	QT
01	0561017369	ROTARY LOWER SUPPORT LOWER		01
02	0561017307	SUPPORT UPPER BASE		01
03	0511019000	BOLT		02
04	0503010812	7/8" UNF SELF LOCKING NUT		02
05	0503011447	SPRING WASHER		02
06	0622400051	24.5" X 3.94" X 0.5" ROTARY CUTTER		02



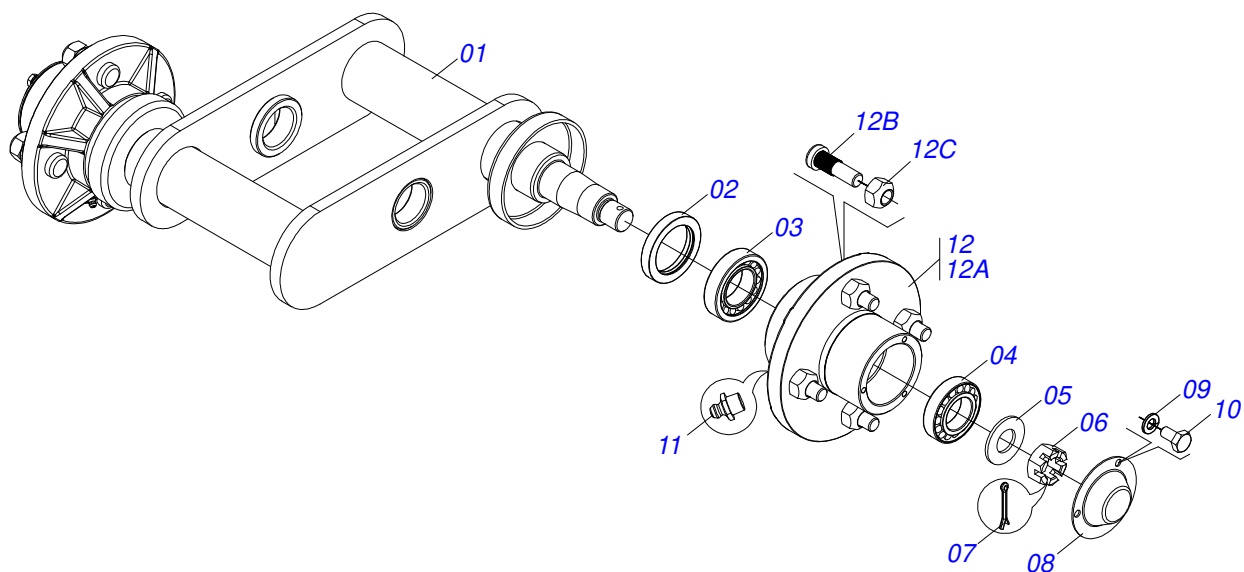
Item	Code	Description	See page	QT
01	0503010372	501050 CLAMPING RING (FOR AXLE)		01
02	0503010818	02675-BRG SEAL		04
03	0503011095	6208 BALL BEARING		06
04	0503011100	502080 CLAMPING RING (FOR AXLE)		08
05	0503011444	SPRING WASHER		06
06	0503010240	BOLT		06
07	0503030631	CENTRAL AXLE		01
08	0503030632	24Z CONICAL GEAR		03
09	0503030633	SIDE AXLE		02
10	0503030656	13.9" X 6.1" X 0.03" JOINT		01
11	0503010856	OIL PLUG		01
12	0511011206	BOX COVER		01
13	0511013020	1.49" BREATHING HOLE		01
14	0511017907	1/8" BSPT X 6 PLUG		01
15	0502010861	DISTRIBUTOR BOX		01
16	3402301247	MINERAL OIL GREASE		02Lts



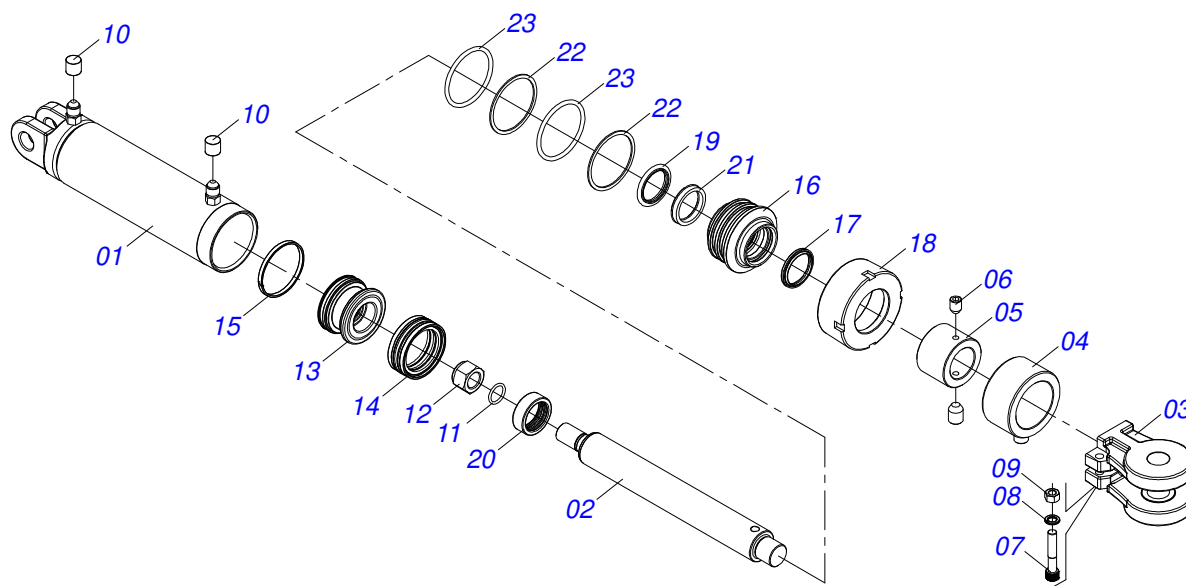
Item	Code	Description	See page	QT
01	0501052544	HOMO JOINT WITH FEMALE BUSHING		01
02	0501052518	HOMOCINETIC JOINT ASSY		01
03	0503012618	2.1" X 2.0" X 31" TRIAN FEMALE TUB		01
04	0503010837	CARDAN CROSSPIECE		01
05	0503010843	0.4" X 3.3" SPRING PIN		01
06	0503011878	0.2" X 3.3" SPRING PIN		01
07	0501052545	UNIVERSAL JOINT WITH CROSS/SHAFT		01
08	0501052546	UNIVERSAL JOINT		01
09	0501052516	T6-60 TERMINAL WITH SCREW		01
10	0503012600	T3-60/CI52 TERMINAL		01
11	0503012619	1.8" X 1.7" X 31" TRIAN MALE TUB		01
12	0503011069	0.4" X 2.8" SPRING PIN		01
13	0503011805	0.2" X 2.8" SPRING PIN		01
14	0501052548	HOMO JOINT WITH PROT FEMALE BUSHING		01
15	0501052549	UNIVERSAL JOINT WITH SHAFT/PROT		01
16	0503012620	PROTECTION ASSY		01
17	0503012621	PROTECTION FOR HOMO JOINT AND SLEEV		01
18	0503012076	PROTECTION FOR UNIV JOINT AND AXLE		01
19	0503012023	CHAIN FOR PROTECTION		01
20	0503012604	HOMO TERMINAL W/ FEMALE BUSHING		01
21	0503012605	CROSSPIECE		02
22	0503012606	CENTER BODY		01
23	0503012607	TRACTOR HOMOCINETIC TERMINAL		01
24	0503037375	PIN QUICK COUPLING		02
25	0503030518	0.5"X1.0"X 0.1" COMPRESSION SPRING		02
26	0503010838	0.1" X 0.8" SPRING PIN		02
27	0502010830	6-60 STRIATED 1.3/8" TERMINAL		01
28	0501047756	1/2" X 3" SET PARTS		02



Item	Code	Description	See page	QT
01	0503062157	DRAWBAR JACK	10	01

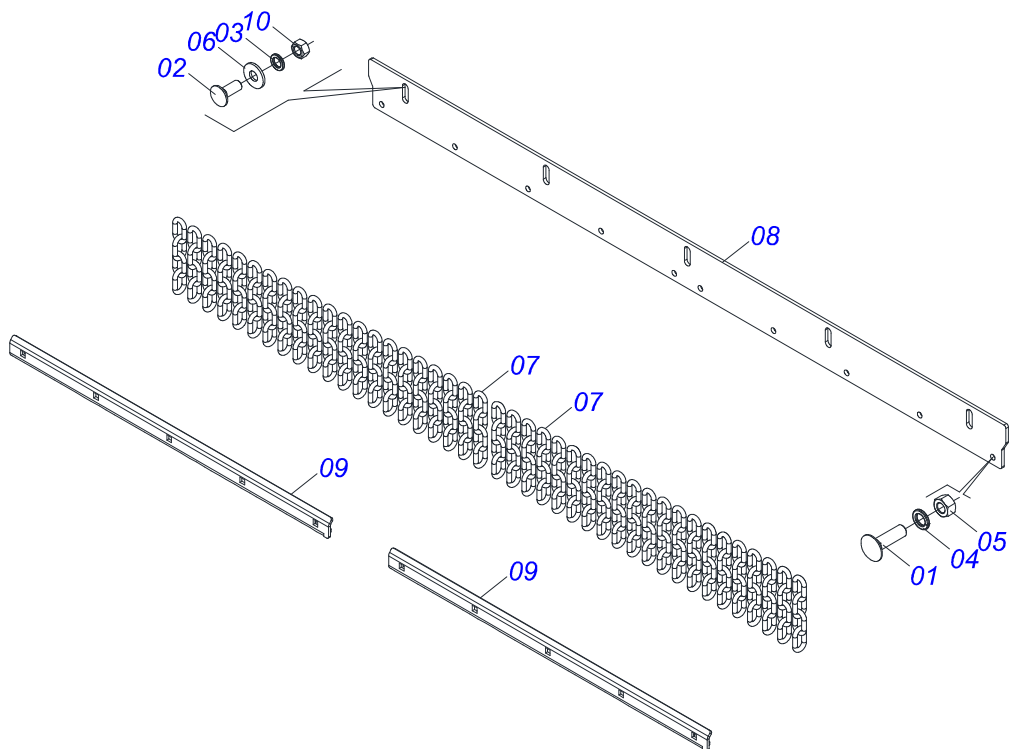


Item	Code	Description	See page
01	0521061863	REAR ROCKER ARM	01
02	0503010278	SEAL	02
03	0503010016	BEARING LM	02
04	0503010022	BEARING LM	02
05	0501010076	FLAT WASHER	02
06	0503030010	7/8" CASTLE NUT	02
07	0503010018	5/32 X 1-1/2 COTTERPIN	02
08	0521010388	PROTECTIVE COVER	02
09	0503011441	SPRING WASHER	06
10	0503013758	1/4" X 1-1/2" BOLT	06
11	0503010002	1800 GREASE FITTING	01
12	0501110746	CARRYING WHEEL HUB	02
12A	0502020605	CARRYING WHEEL HUB	01
12B	0501010127	9/16" X 1-7/8" LUG BOLT	04
12C	0503010035	9/16" CONIC NUT	04
13	1882970002	GREASE SOAP	0.001KI

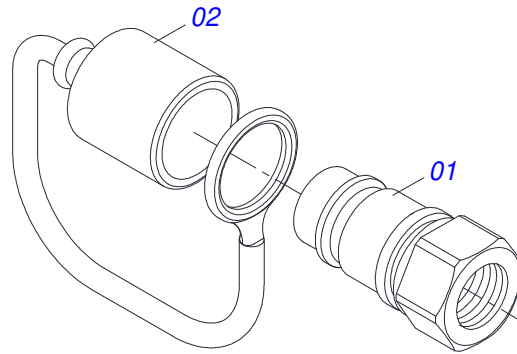


Item	Code	Description	See page	QT
01	0501064255	2.4" X 8" CYLINDER CASE		01
02	0521014292	1.7" X 15" TURNBUCLE WITH HOLES		01
03	0502040493	CLEVIS 26,50 R41		01
04	0511060370	CARRY-W REG OUTER BODY ASSY		01
05	0521014003	REG INNER BODY OF THE CARRY-WHEEL		01
06	0503011148	3/8" X 1/2" BOLT		02
07	0503011094	3/8" X 2" BOLT		01
08	0503010025	3/8 SPRING WASHER		01
09	0503010026	3/8" NUT		01
10	0503030385	CYLINDER PLUG N-002		02
11	0503010042	2-214 N 3006-9B O'RING		01
12	0503010063	1" SELF-ALIGNING NUT		01
13	0571019710	1.7" X 3.4" PISTON		01
14	0503017935	RING		01
15	0503018144	RING		01
16	0571019711	RING SUPPORT		01
17	0503010761	D-1750 SCRAPER RING		01
18	0571019709	DETACHABLE COVER		01
19	0503017936	RING		01
20	0503017938	RING GUIDE		01
21	0503017937	GASKET		01
22	0503017940	8-337 BACK-UP RING		02
23	0503017939	2-337 N 3006-9B O' RING		02
24	0501031796	HYDRAULIC CYLINDER REPAIR KIT		

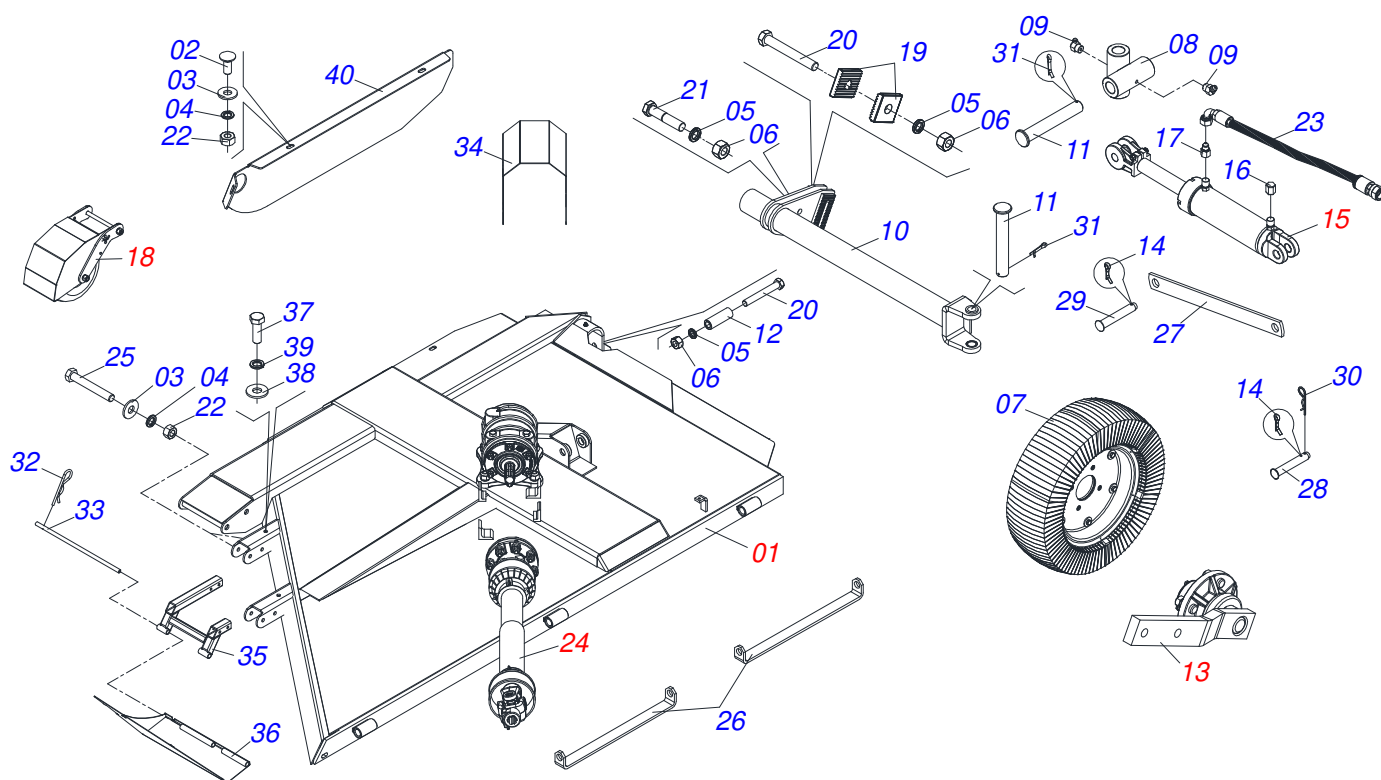




Item	Code	Description	See page	QT
01	0501010942	3/8" X 1-1/4" BOLT		10
02	0501011600	1/2" X 1-1/4" BOLT		05
03	0503010019	1/2" SPRING WASHER		05
04	0503010025	3/8 SPRING WASHER		10
05	0503010026	3/8" NUT		10
06	0511017302	FLAT WASHER 13,50 X 32,50 X 3,0 ZN		05
07	0511011774	8,00 CHAIN 4 LINK		42
08	0571015858	CHAIN PROTECTION BODY		01
09	0571015852	PROTECTION CLAW		02
10	0503012682	1/2" BSW NUT		05



Item	Code	Description	See page	QT
01	0503011627	MALE QUICK COUPLER AGR 1/2 NPT		01
02	0503011882	MALE QUICK COUPLER CAP		01



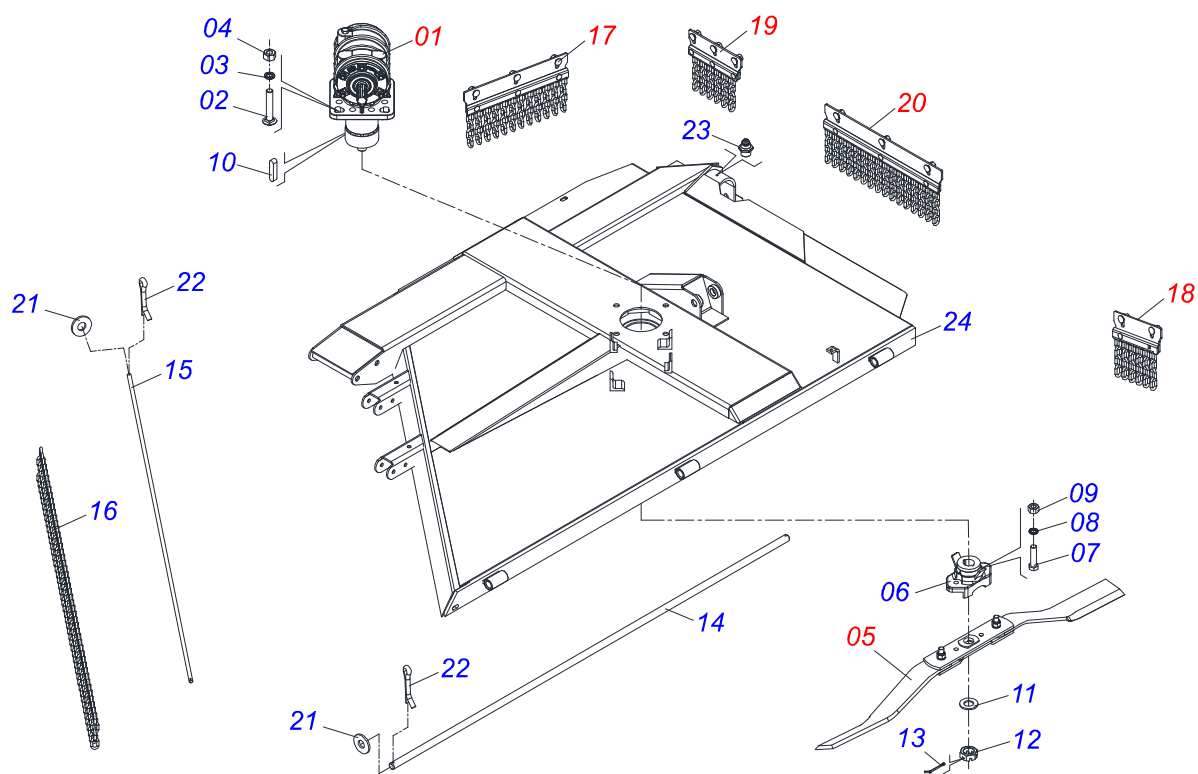
Item	Code	Description	See page	QT
01	0511055634	RIGHT SIDE FRAME ASSY	16	01
02	0501011600	1/2" X 1-1/4" BOLT		03
03	0511017302	FLAT WASHER 13,50 X 32,50 X 3,0 ZN		07
04	0503010019	1/2" SPRING WASHER		07
05	0503010023	3/4" SPRING WASHER		03
06	0503010014	3/4" HEX NUT		03
07	0501043559	SEGMENTED WHEEL 525		01
08	0511064945	CROSSPIECE		01
09	0503010003	1845 GREASE FITTING		02
10	0511064927	RIGHT SIDE CARRYING WHEELS SUPPORT		01
11	0521018993	CROSSPIECE COUPLING SHAFT		02
12	0511015929	0.8" X 1.2" X 3.6" BUSHING		01
13	0501054971	SIDE WHEEL WITHOUT TIRE	19	01
14	0503010571	1/4" X 1.1/2 COTTERPIN		02
15	0511058442	HYDRAULIC CYLINDER	20	01
16	0511017628	BREATHING HOLE OF THE CYLINDER HIDR		01
17	0511018012	HIDRAULIC ADAPTER		01
18	0511044473	FRONT WHEEL RIGHT WITH ASSY PROTECTION	21	01
19	0502012231	SQUARE WASHER		02
20	0503013185	3/4" X 5-1/2" BOLT		02
21	0503012334	3/4" UNC X 3.1/2" BOLT		01
22	0503010020	1/2"NUT		07
23	0501080396	3/8" X 45" HOSE		01
24	0501049131	DRIVE SHAFT	22	01
25	0503010752	1/2" X 3.1/2" BOLT		02
26	0531018343	SIDE FRAME PROTECTION		02
27	0511011755	LATERAL TRANSPORT LOCK		01
28	0521010586	0.9" X 6.1" COUPLING SHAFT WITH 2 H		01
29	0521010585	0.9" X 5.9" COUPLING SHAFT		01
30	0503030012	HITCH PIN CLIP		01
31	0503010523	1/4" X 2" COTTERPIN		02



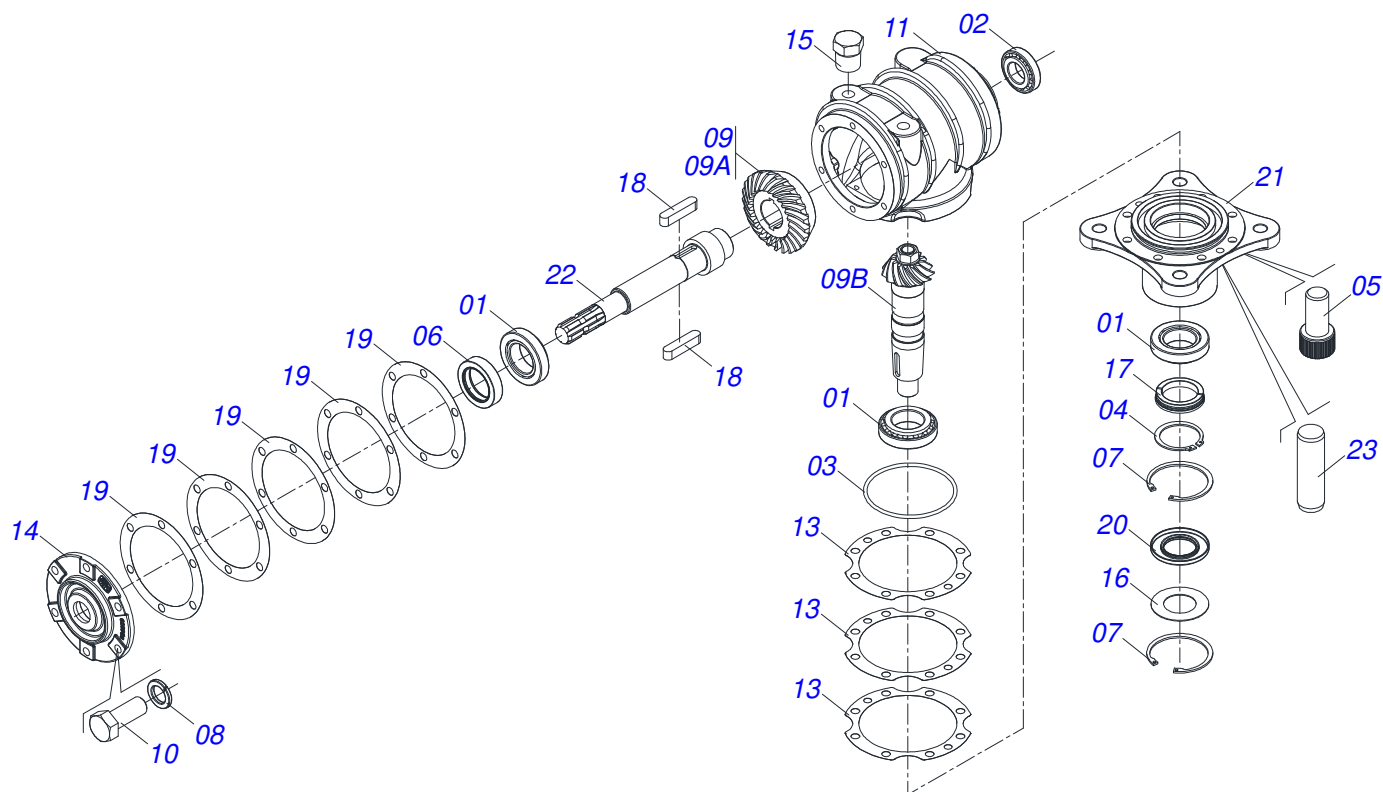
RC2E 4500  
RIGHT SIDE FRAME

Page 15  
0909090930

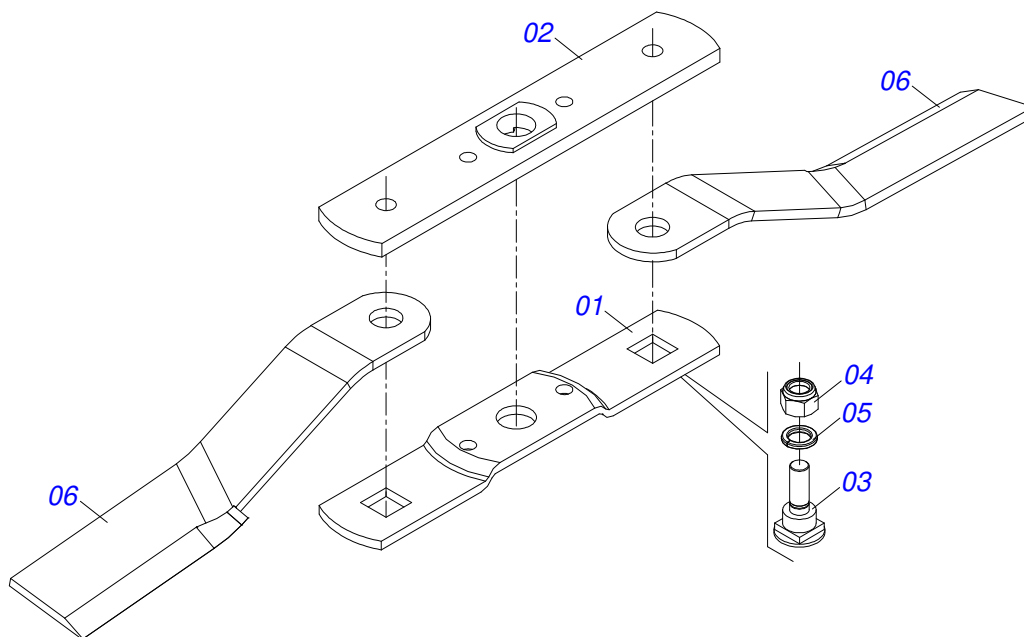
Item	Code	Description	See page	QT
32	0503030168	HITCH PIN CLIP		01
33	0561016176	TUBE LOCKING PROTECTIVE COVER FRONT		01
34	0531018035	COVER OF RIGHT PROTECTION		01
35	0521061578	FIXER COVER RIGHT PROTECTION		01
36	0521065015	FRONT PROTETION COVER RIGHT		01
37	0503010920	1/2 UNC X 1.1/2 C S G.5 ZN BOLT		01
38	0511017302	FLAT WASHER 13,50 X 32,50 X 3,0 ZN		01
39	0503010019	1/2" SPRING WASHER		01
40	0571016509	RIGHT PROTECTION SIDE		01



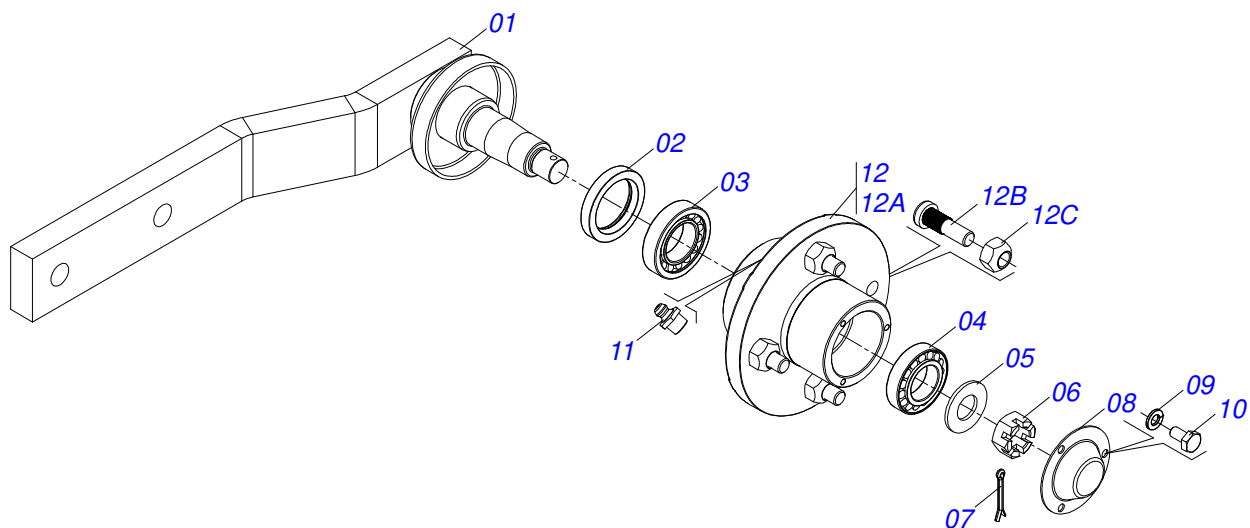
Item	Code	Description	See page	QT
01	0501046948	MULTIPLIER	6	01
02	0503013185	3/4" X 5-1/2" BOLT		04
03	0503011442	3/4" SPRING WASHER		04
04	0503010014	3/4" HEX NUT		04
05	0501056334	RIGHT SUPPORT ROTARY CUTTER BLADES	18	01
06	0502012453	SUPPORT FLANGE		01
07	0503011328	3/4" X 4" BOLT		02
08	0503011442	3/4" SPRING WASHER		02
09	0503010014	3/4" HEX NUT		02
10	0501010536	KEYWAY SQUARE		02
11	0501017779	32 X 60 X 4.75 FLAT WASHER		01
12	0503011052	1.1/4" X 0.77" CASTLE NUT		01
13	0503010067	3/16" X 2.1/2" COTTER PIN		01
14	0511017535	ROD		01
15	0511012253	71.2" ROD OF THE CHAIN		01
16	0511013029	8,00 CHAIN 3 LINK		15
17	0511054960	CURRENT PROTECTION	23	01
18	0511054961	CURRENT PROTECTION	24	01
19	0511054963	CURRENT PROTECTION	26	01
20	0511054962	CURRENT PROTECTION	25	01
21	0511017302	FLAT WASHER 13,50 X 32,50 X 3,0 ZN		04
22	0503010300	5/32" X 1" COTTERPIN		04
23	0503010002	1800 GREASE FITTING		01
24	0521065017	RIGHT SIDE FRAME		01



Item	Code	Description	See page	QT
01	0503010006	32210 ROLLER BEARING		03
02	0503010037	30207 ROLLER BEARING		01
03	0503010286	2-355 N 3006-9B O'RING		01
04	0503010396	501060 CLAMPING RING (FOR AXLE)		01
05	0503010562	1/2" X 1" BOLT		08
06	0503011171	00912-BRG SEAL		01
07	0503011190	SEAL RING		02
08	0503011440	SPRING WASHER		06
09	0503060211	CROWN PINION SET		01
09A	0503050069	25Z CONICAL GEAR		01
09B	0503061048	PINION		01
10	0503010395	1/2" X 1-1/4" BOLT		06
11	0502010983	RIGHT MULTIPLIER BOX		01
12	3402301247	MINERAL OIL GREASE		2,5Lts
13	0503030785	7.9" X 5.9" X 0.008" JOINT		03
14	0502010986	SMALLER COVER		01
15	0503031604	1/2" BSP PLUG		02
16	0521018064	FLAT WASHER		01
17	0511010142	LOCK RING		01
18	0501010536	KEYWAY SQUARE		02
19	0503030783	7.1" X 5.3" X 0.008" JOINT		05
20	0503011047	5089 SEAL		01
21	0502011393	LOWER HUB		01
22	0503050068	UPPER AXLE		01
23	0503017877	PIN GUIDE		02

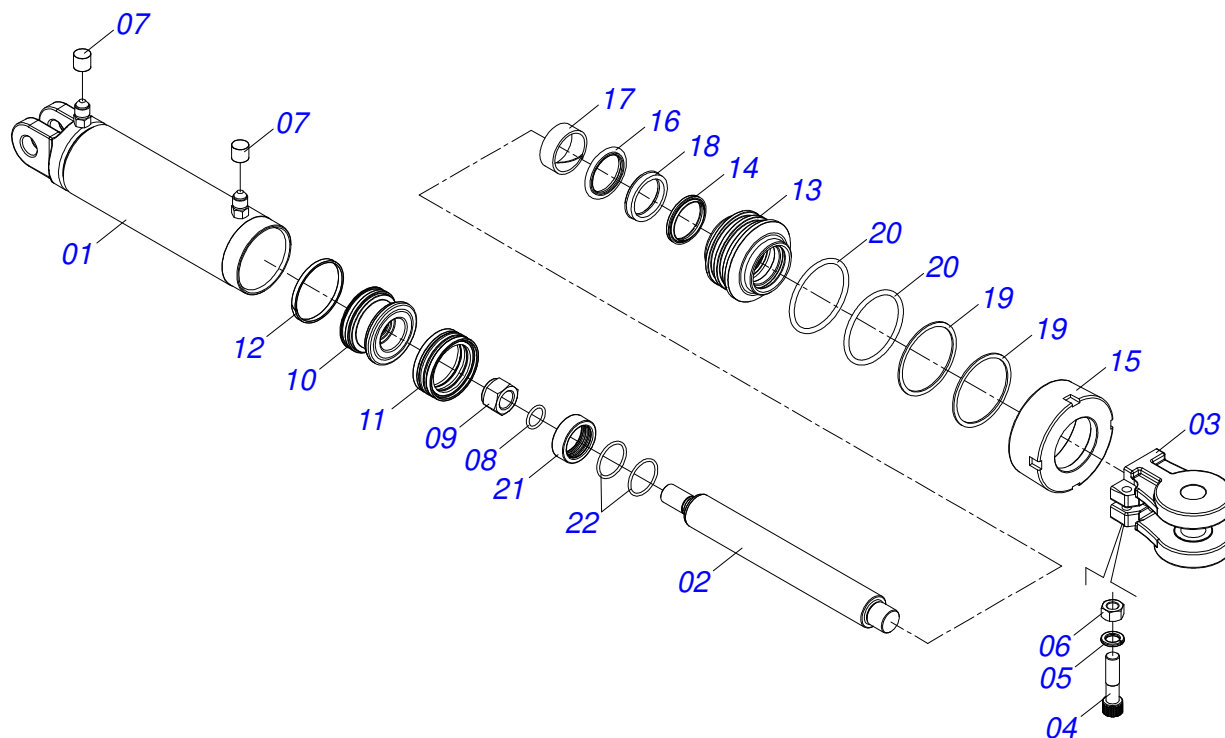


Item	Code	Description	See page	QT
01	0561017368	ROTARY LOWER SUPPORT		01
02	0561017308	SUPPORT UPPER BASE		01
03	0511019000	BOLT		02
04	0503010812	7/8" UNF SELF LOCKING NUT		02
05	0503011447	SPRING WASHER		02
06	0622400055	RH 24"X4"X0,5" ROTARY CUTTER BLADES		02



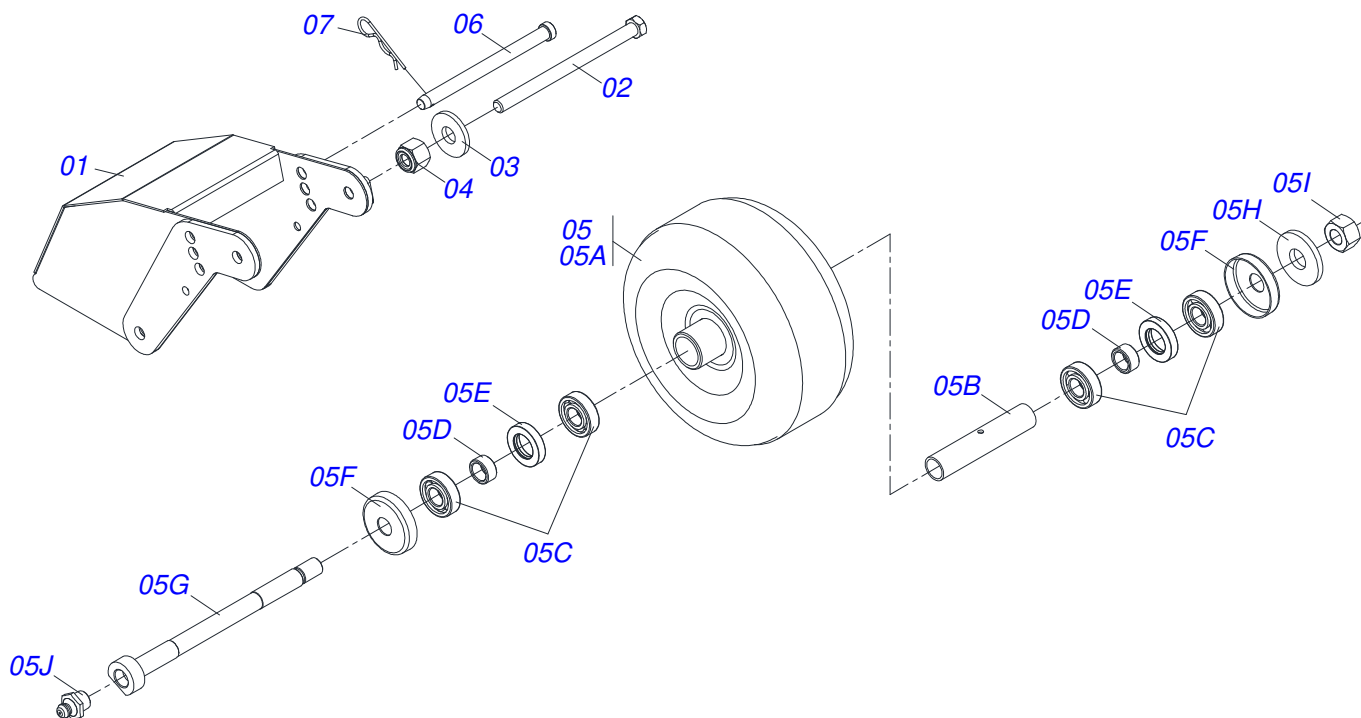
Item	Code	Description	See page
01	0511065148	AXLE SIDE CARRYING-WHEELS ARM	01
02	0503010278	SEAL	01
03	0503010016	BEARING LM	01
04	0503010022	BEARING LM	01
05	0501010076	FLAT WASHER	01
06	0503030010	7/8" CASTLE NUT	01
07	0503010018	5/32 X 1-1/2 COTTERPIN	01
08	0521010388	PROTECTIVE COVER	01
09	0503011441	SPRING WASHER	03
10	0503013758	1/4" X 1-1/2" BOLT	03
11	0503010002	1800 GREASE FITTING	01
12	0501110746	CARRYING WHEEL HUB	01
12A	0501010127	9/16" X 1-7/8" LUG BOLT	04
12B	0503010035	9/16" CONIC NUT	04
13	1882970002	GREASE SOAP	0.13Kg



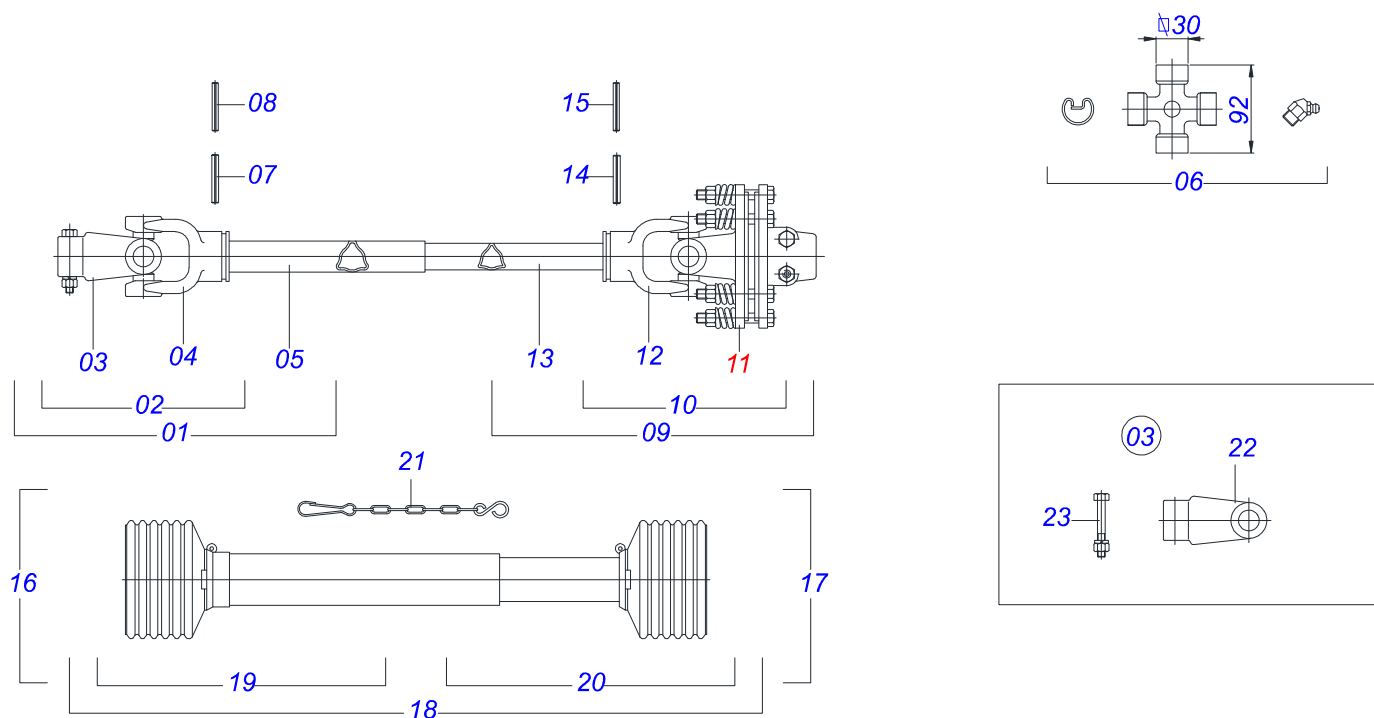


Item	Code	Description	See page	QT
01	0501064255	2.4" X 8" CYLINDER CASE		01
02	0521010421	HYDRAULIC CYLINDER TURNBUCKLE		01
03	0502040493	CLEVIS 26,50 R41		01
04	0503011094	3/8" X 2" BOLT		01
05	0503010025	3/8 SPRING WASHER		01
06	0503010026	3/8" NUT		01
07	0503030385	CYLINDER PLUG N-002		02
08	0503010042	2-214 N 3006-9B O'RING		01
09	0503010063	1" SELF-ALIGNING NUT		01
10	0571019710	1.7" X 3.4" PISTON		01
11	0503017935	RING		01
12	0503018144	RING		01
13	0571019711	RING SUPPORT		01
14	0503010761	D-1750 SCRAPER RING		01
15	0571019709	DETACHABLE COVER		01
16	0503017936	RING		01
17	0503017938	RING GUIDE		01
18	0503017937	GASKET		01
19	0503017940	8-337 BACK-UP RING		02
20	0503017939	2-337 N 3006-9B O' RING		02
21	0581010850	LIMITER		01
22	0503013917	O'RING 2-224		02

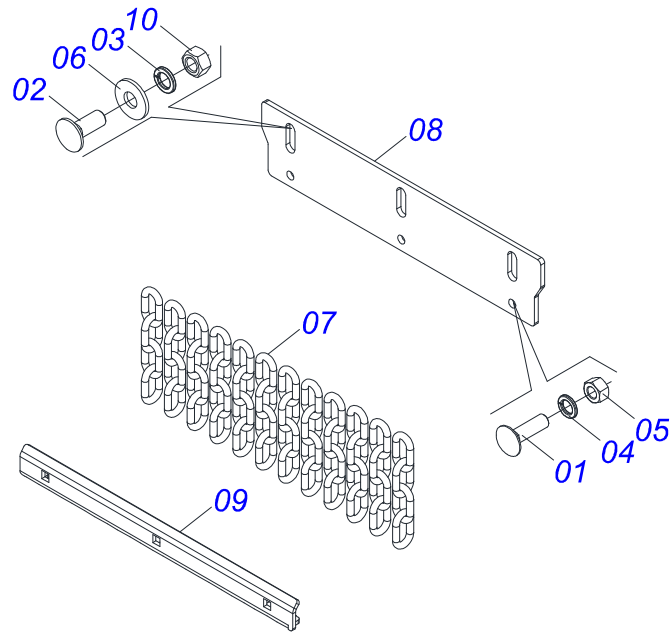
FRONT WHEEL RIGHT WITH ASSY PROTECTION



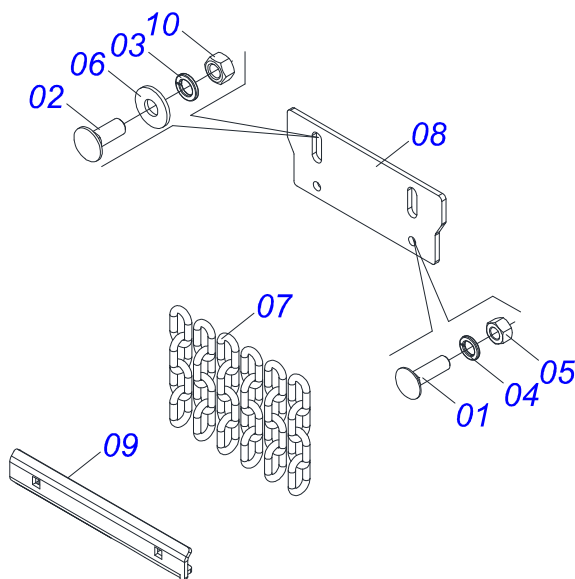
Item	Code	Description	See page	QT
01	0521061648	COVER FRONT WHEEL SUPPORT		01
02	0503012951	3/4" X 10-1/2" BOLT		01
03	0501010941	FLAT WASHER		01
04	0503011075	3/4" UNC NUT		01
05	0501053885	ARM REAR WHELL		01
05A	0511063509	14" X 8" WHELL		01
05B	0531014502	0.9" X 1.1" X 6.3" SLEEVE		01
05C	0503010269	6204 BALL BEARING		04
05D	0521010487	SPACER WASHER		02
05E	0503010268	00262-B SEAL		02
05F	0511014254	DUST CLOAK		02
05G	0551011854	REAR CARRYING WHEELS AXLE		01
05H	0501010941	FLAT WASHER		01
05I	0503011075	3/4" UNC NUT		01
05J	0503010002	1800 GREASE FITTING		01
06	0541018559	REAR WHELL CONTROL AXLE		01
07	0503030012	HITCH PIN CLIP		01
08	1882970002	GREASE SOAP		01Kg



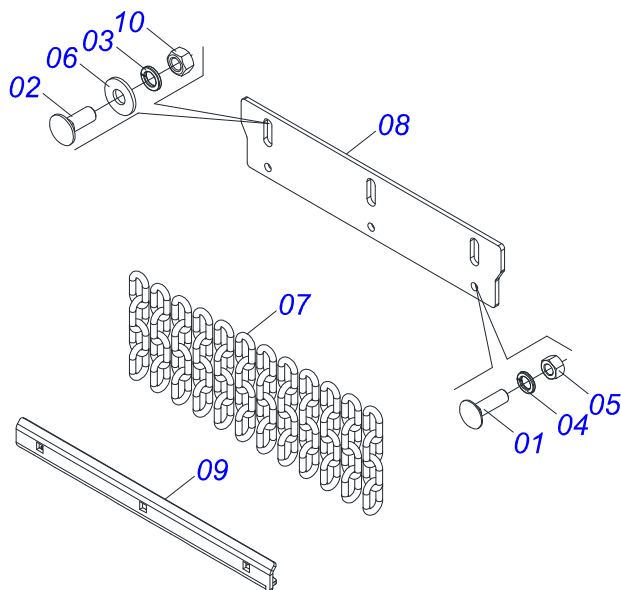
Item	Code	Description	See page	QT
01	0501052534	UNIVERSAL JOINT WITH SLEEVE		01
02	0501052535	UNIVERSAL JOINT		01
03	0501052559	8-40 TERMINAL WITH SCREW		01
04	0503012614	T2-40/CI251 TERMINAL		01
05	0503012615	2.1" X 2.0" X 38" TRIAN FEMALE		01
06	0503012096	CROSSPIECE		02
07	0503011069	0.4" X 2.8" SPRING PIN		01
08	0503010510	0.2" X 2.6" SPRING PIN		01
09	0501052536	UNIVERSAL JOINT WITH CROSS/SHAFT		01
10	0501052537	UNIVERSAL JOINT WITH CROSSPIECE		01
11	0501047953	90 KGM FRICTION	5	01
12	0503012616	T3-40/CI252 TERMINAL		01
13	0503012617	1.8" X 1.7" X 38" TRIAN MALE TU		01
14	0503010361	SPRING PIN		01
15	0503010756	0.2" X 2.4" SPRING PIN		01
16	0501052539	UNIVERSAL JOINT WITH SLEEVE/PROT		01
17	0501052540	UNIVERSAL JOINT WITH SHAFT/PROT		01
18	0503012098	PROTECTION ASSY		01
19	0503012099	PROTECTION FOR UNIV JOINT AND SLEEV		01
20	0503012100	PROTECTION FOR UNIV JOINT AND AXLE		01
21	0503012023	CHAIN FOR PROTECTION		02
22	0502011428	8-40 TERMINAL		01
23	0501047756	1/2" X 3" SET PARTS		01



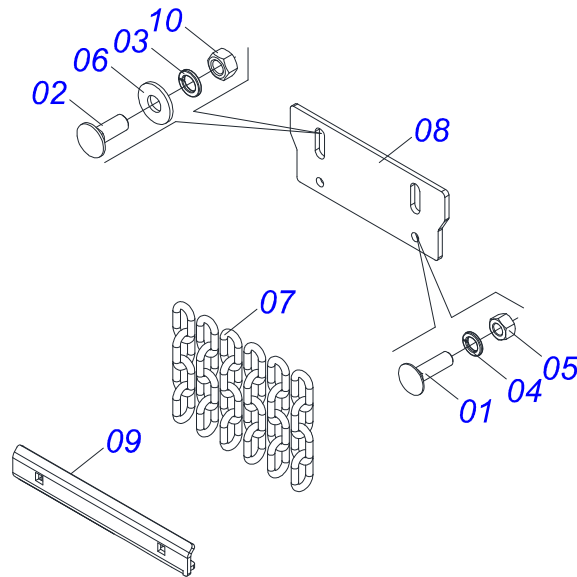
Item	Code	Description	See page	QT
01	0501010942	3/8" X 1-1/4" BOLT		03
02	0501011600	1/2" X 1-1/4" BOLT		03
03	0503010019	1/2" SPRING WASHER		03
04	0503010025	3/8 SPRING WASHER		03
05	0503010026	3/8" NUT		03
06	0511017302	FLAT WASHER 13,50 X 32,50 X 3,0 ZN		03
07	0511011774	8,00 CHAIN 4 LINK		12
08	0571015854	CHAIN PROTECTION BODY		01
09	0571015851	PROTECTION CLAW		01
10	0503012682	1/2" BSW NUT		03



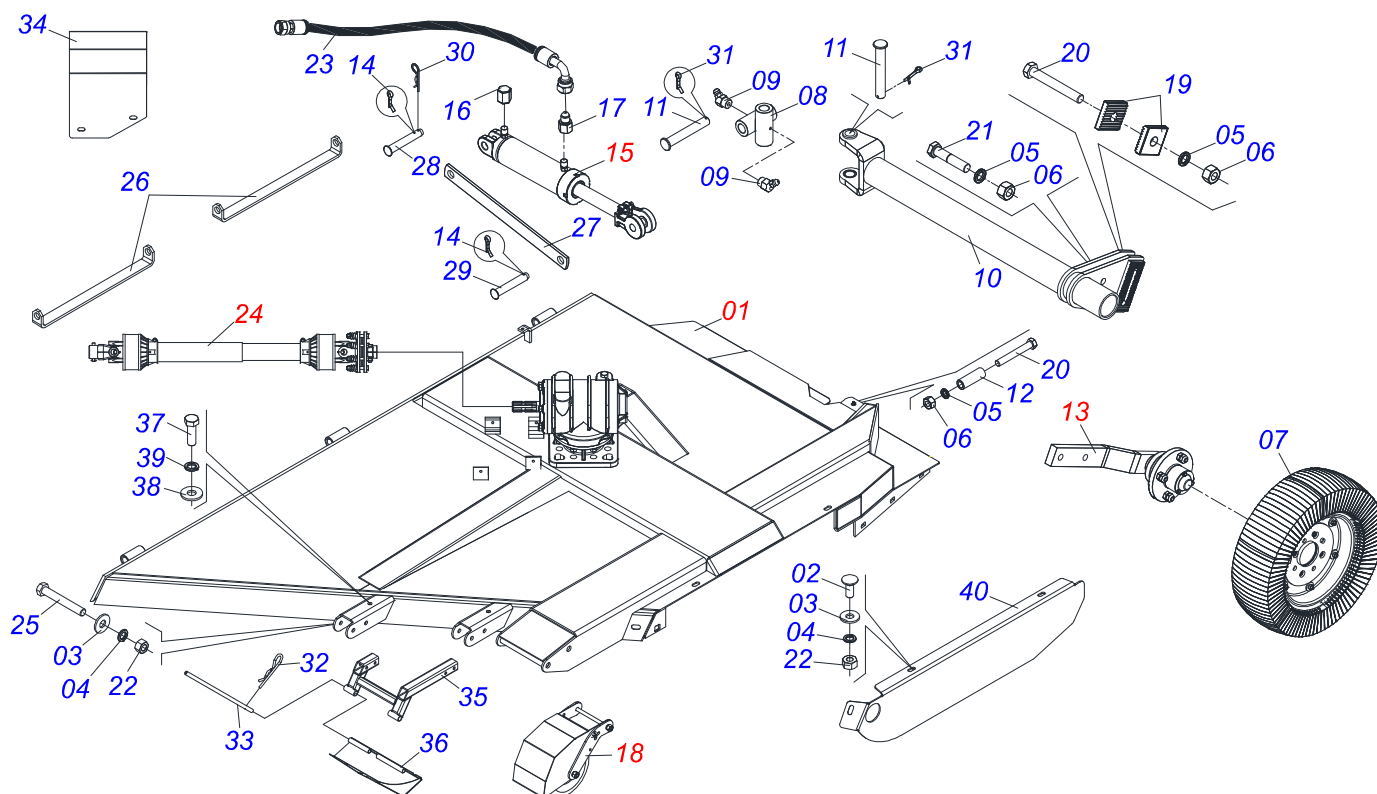
Item	Code	Description	See page	QT
01	0501010942	3/8" X 1-1/4" BOLT		02
02	0501011600	1/2" X 1-1/4" BOLT		02
03	0503010019	1/2" SPRING WASHER		02
04	0503010025	3/8 SPRING WASHER		02
05	0503010026	3/8" NUT		02
06	0511017302	FLAT WASHER 13,50 X 32,50 X 3,0 ZN		02
07	0511011774	8,00 CHAIN 4 LINK		06
08	0571015855	CHAIN PROTECTION BODY		01
09	0571015850	PROTECTION CLAW		01
10	0503012682	1/2" BSW NUT		02



Item	Code	Description	See page	QT
01	0501010942	3/8" X 1-1/4" BOLT		03
02	0501011600	1/2" X 1-1/4" BOLT		03
03	0503010019	1/2" SPRING WASHER		03
04	0503010025	3/8 SPRING WASHER		03
05	0503010026	3/8" NUT		03
06	0511017302	FLAT WASHER 13,50 X 32,50 X 3,0 ZN		03
07	0511011774	8,00 CHAIN 4 LINK		16
08	0571015856	CHAIN PROTECTION BODY		01
09	0571015849	PROTECTION CLAW		01
10	0503012682	1/2" BSW NUT		03



Item	Code	Description	See page	QT
01	0501010942	3/8" X 1-1/4" BOLT		03
02	0501011600	1/2" X 1-1/4" BOLT		03
03	0503010019	1/2" SPRING WASHER		03
04	0503010025	3/8 SPRING WASHER		03
05	0503010026	3/8" NUT		03
06	0511017302	FLAT WASHER 13,50 X 32,50 X 3,0 ZN		03
07	0511011774	8,00 CHAIN 4 LINK		06
08	0571015857	CHAIN PROTECTION BODY		01
09	0571015853	PROTECTION CLAW		01
10	0503012682	1/2" BSW NUT		03



Item	Code	Description	See page	QT
01	0511055635	LEFT SIDE FRAME ASSY	28	01
02	0501011600	1/2" X 1-1/4" BOLT		03
03	0511017302	FLAT WASHER 13,50 X 32,50 X 3,0 ZN		07
04	0503010019	1/2" SPRING WASHER		07
05	0503010023	3/4" SPRING WASHER		03
06	0503010014	3/4" HEX NUT		03
07	0501043559	SEGMENTED WHEEL 525		01
08	0511064945	CROSSPIECE		01
09	0503010003	1845 GREASE FITTING		02
10	0511064928	LEFT SIDE CARRYING WHEELS SUPPORT		01
11	0521018993	CROSSPIECE COUPLING SHAFT		02
12	0511015929	0.8" X 1.2" X 3.6" BUSHING		01
13	0501054971	SIDE WHEEL WITHOUT TIRE	19	01
14	0503010571	1/4" X 1.1/2 COTTERPIN		02
15	0511058442	HYDRAULIC CYLINDER	20	01
16	0511017628	BREATHING HOLE OF THE CYLINDER HIDR		01
17	0511018012	HIDRAULIC ADAPTER		01
18	0511040988	PROTECTION WHEELS REAR ASSY	31	01
19	0502012231	SQUARE WASHER		02
20	0503013185	3/4" X 5-1/2" BOLT		02
21	0503012334	3/4" UNC X 3.1/2" BOLT		01
22	0503010020	1/2"NUT		07
23	0501080396	3/8" X 45" HOSE		01
24	0501049131	DRIVE SHAFT	22	01
25	0503010752	1/2" X 3.1/2" BOLT		02
26	0531018343	SIDE FRAME PROTECTION		02
27	0511011755	LATERAL TRANSPORT LOCK		01
28	0521010586	0.9" X 6.1" COUPLING SHAFT WITH 2 H		01
29	0521010585	0.9" X 5.9" COUPLING SHAFT		01
30	0503030012	HITCH PIN CLIP		01
31	0503010523	1/4" X 2" COTTERPIN		02

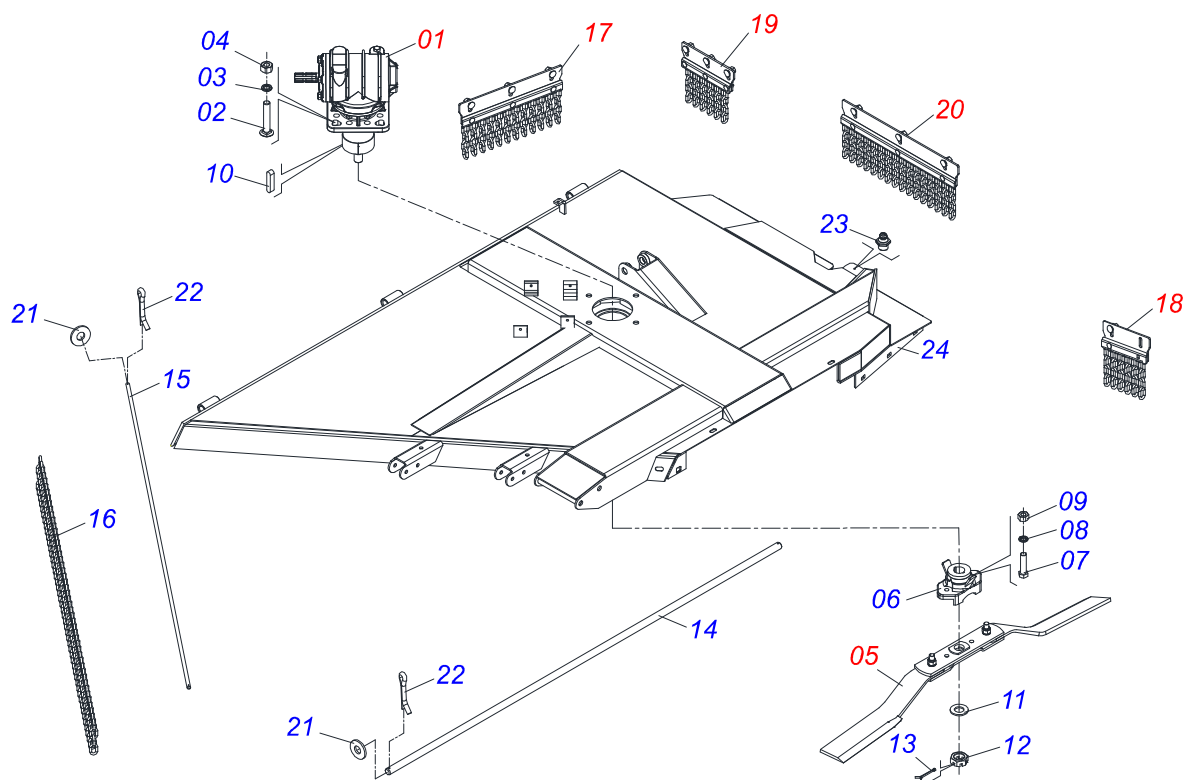




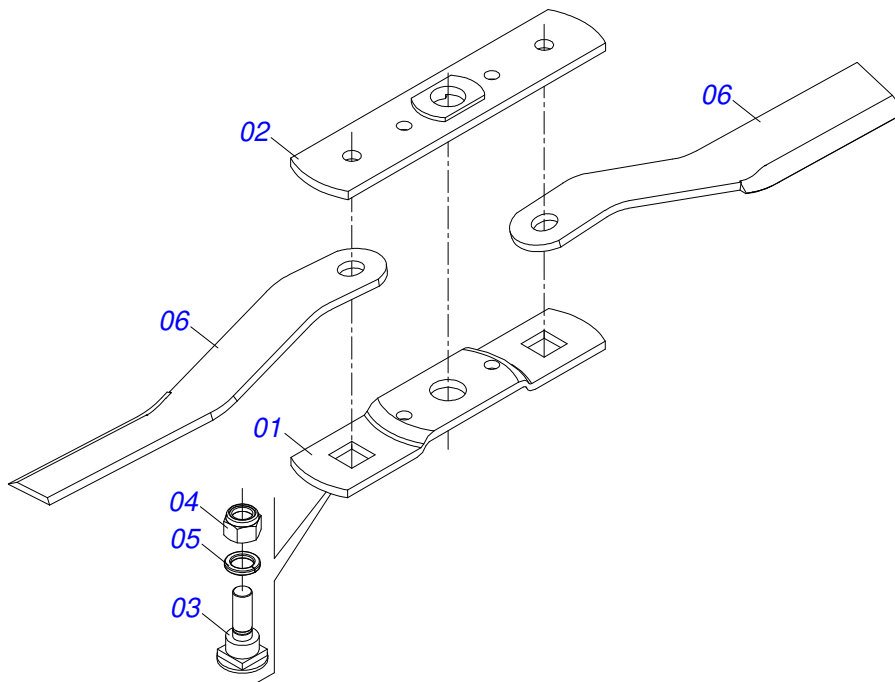
**RC2E 4500**  
**LEFT SIDE FRAME**

Page 27  
0909090931

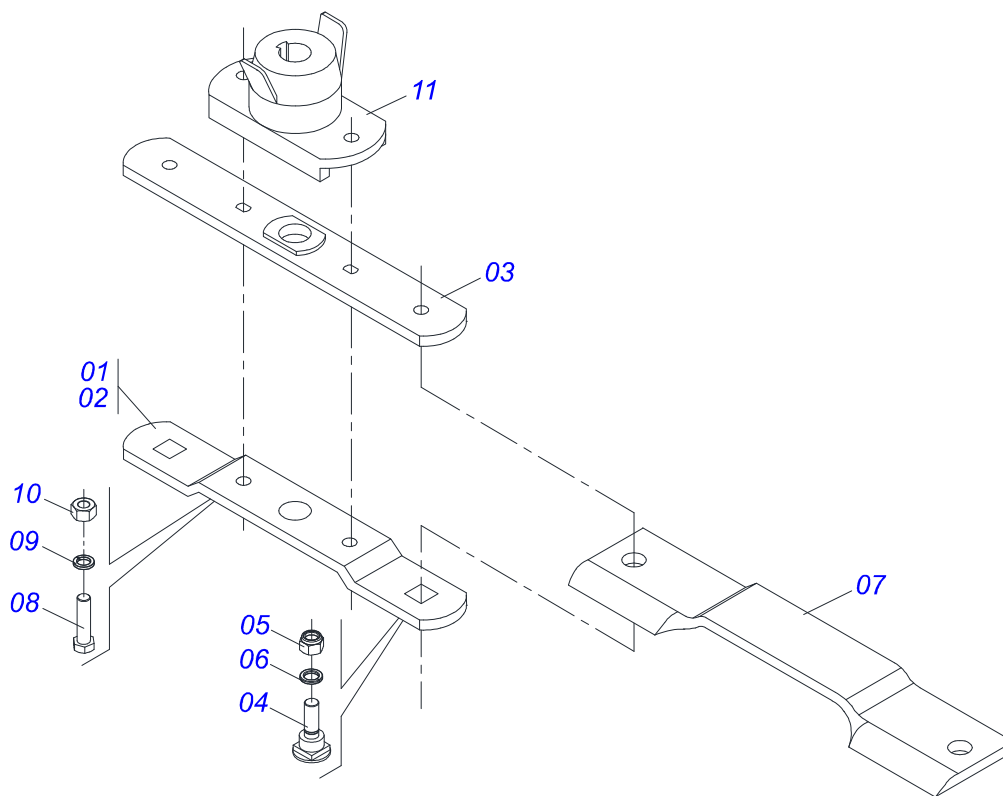
Item	Code	Description	See page	QT
32	0503030168	HITCH PIN CLIP		01
33	0561016176	TUBE LOCKING PROTECTIVE COVER FRONT		01
34	0531018036	COVER OF LEFT PROTECTION		01
35	0521061579	FIXER LEFT COVER PROTECTION		01
36	0521065014	LEFT FRONT PROTECTION COVER		01
37	0503010920	1/2 UNC X 1.1/2 C S G.5 ZN BOLT		01
38	0511017302	FLAT WASHER 13,50 X 32,50 X 3,0 ZN		01
39	0503010019	1/2" SPRING WASHER		01
40	0571016510	LEFT PROTECTION SIDE		01



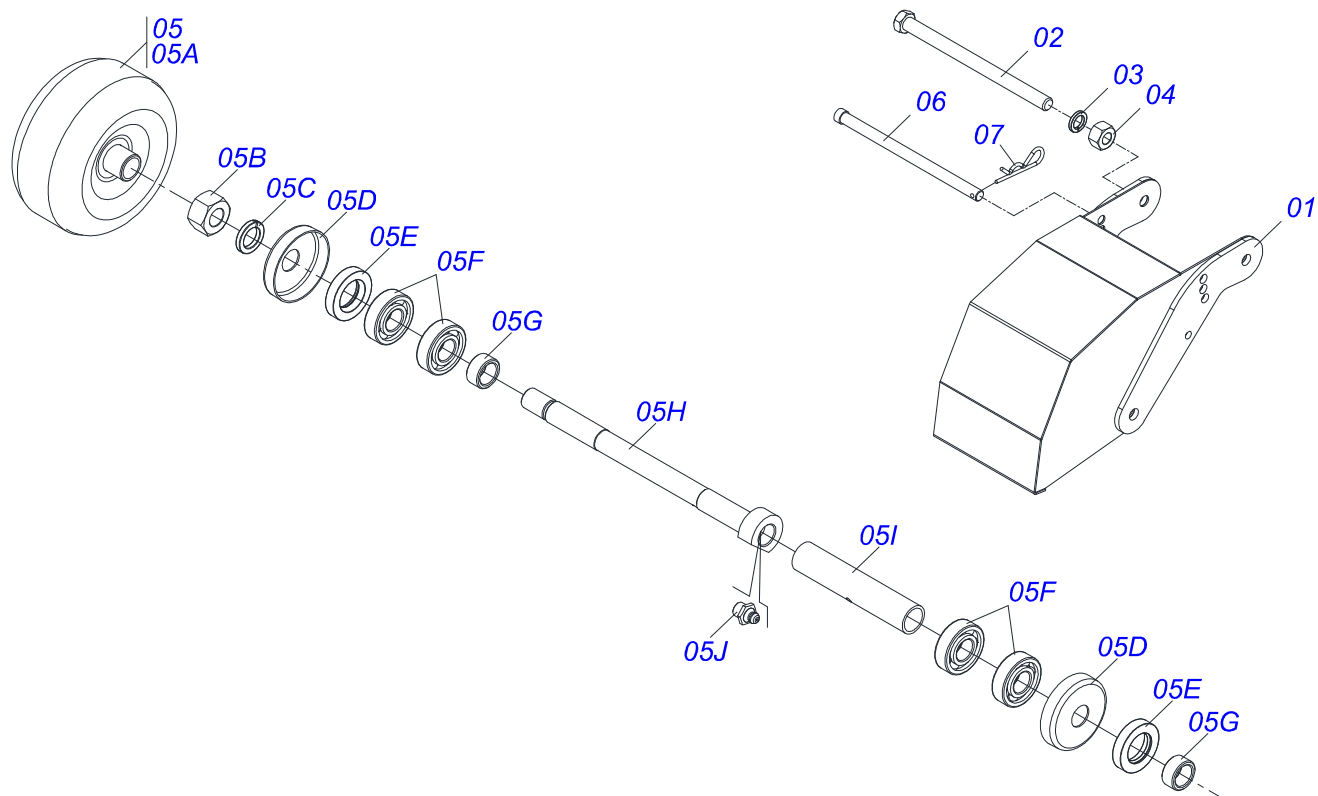
Item	Code	Description	See page	QT
01	0501046948	MULTIPLIER	6	01
02	0503013185	3/4" X 5-1/2" BOLT		04
03	0503011442	3/4" SPRING WASHER		04
04	0503010014	3/4" HEX NUT		04
05	0501056335	LEFT ROTARY SUPPORT 340	29	01
06	0502012453	SUPPORT FLANGE		01
07	0503011328	3/4" X 4" BOLT		02
08	0503011442	3/4" SPRING WASHER		02
09	0503010014	3/4" HEX NUT		02
10	0501010536	KEYWAY SQUARE		02
11	0501017779	32 X 60 X 4.75 FLAT WASHER		01
12	0503011052	1.1/4" X 0.77" CASTLE NUT		01
13	0503010067	3/16" X 2.1/2" COTTER PIN		01
14	0511017535	ROD		01
15	0511012253	71.2" ROD OF THE CHAIN		01
16	0511013029	8,00 CHAIN 3 LINK		15
17	0511054960	CURRENT PROTECTION	23	01
18	0511054961	CURRENT PROTECTION	24	01
19	0511054963	CURRENT PROTECTION	26	01
20	0511054962	CURRENT PROTECTION	25	01
21	0511017302	FLAT WASHER 13,50 X 32,50 X 3,0 ZN		04
22	0503010300	5/32" X 1" COTTERPIN		04
23	0503010002	1800 GREASE FITTING		01
24	0521065018	LEFT SIDE FRAME		01



Item	Code	Description	See page	QT
01	0561017368	ROTARY LOWER SUPPORT		01
02	0561017308	SUPPORT UPPER BASE		01
03	0511019000	BOLT		02
04	0503010812	7/8" UNF SELF LOCKING NUT		02
05	0503011447	SPRING WASHER		02
06	0622400056	24"X4"X0,5" LEFT ROTARY CUT BLADES		02



Item	Code	Description	See page	QT
01	0501056326	SUPPORT WITH ROTARY CUTTER BLADES		01
02	0561017368	ROTARY LOWER SUPPORT		01
03	0561017308	SUPPORT UPPER BASE		01
04	0511019000	BOLT		02
05	0503010812	7/8" UNF SELF LOCKING NUT		02
06	0503011447	SPRING WASHER		02
07	0622400057	21.6" X 3.94" X 0.5" ROTARY CUTTER		02
08	0503010901	3/4UNC 3.1/2 BOLT		02
09	0503010023	3/4" SPRING WASHER		02
10	0503010014	3/4" HEX NUT		02
11	0502012453	SUPPORT FLANGE		01



Item	Code	Description	See page
01	0511061700	COVER FRONT WHEEL SUPPORT	01
02	0503012951	3/4" X 10-1/2" BOLT	01
03	0503010023	3/4" SPRING WASHER	02
04	0503010014	3/4" HEX NUT	02
05	0501053885	ARM REAR WHELL	01
05A	0511063509	14" X 8" WHELL	01
05B	0503010014	3/4" HEX NUT	01
05C	0503010023	3/4" SPRING WASHER	01
05D	0511014254	DUST CLOAK	02
05E	0503010268	00262-B SEAL	02
05F	0503010269	6204 BALL BEARING	04
05G	0521010487	SPACER WASHER	02
05H	0551011854	REAR CARRYING WHEELS AXLE	01
05I	0531014502	0.9" X 1.1" X 6.3" SLEEVE	01
05J	0503010002	1800 GREASE FITTING	01
06	0531014507	0.6" X 10" COUPLING SHAFT	01
07	0503030168	HITCH PIN CLIP	01





**MARCHESAN**

**Technical Publications | Elaboration and Revision**

ALESSANDRA PATRICIA KAWAHARA CARRILI

[www.marchesan.com.br](http://www.marchesan.com.br)

