

# PARTS CATALOG

## DOUBLE OFFSET DISK HARROW

**GH2 1007T**

**Code: 0501091670**



**Series: S-0605**

**Review: JUNHO/2005**

**ORIGINAL PARTS  
TATU**



# PRODUCTS

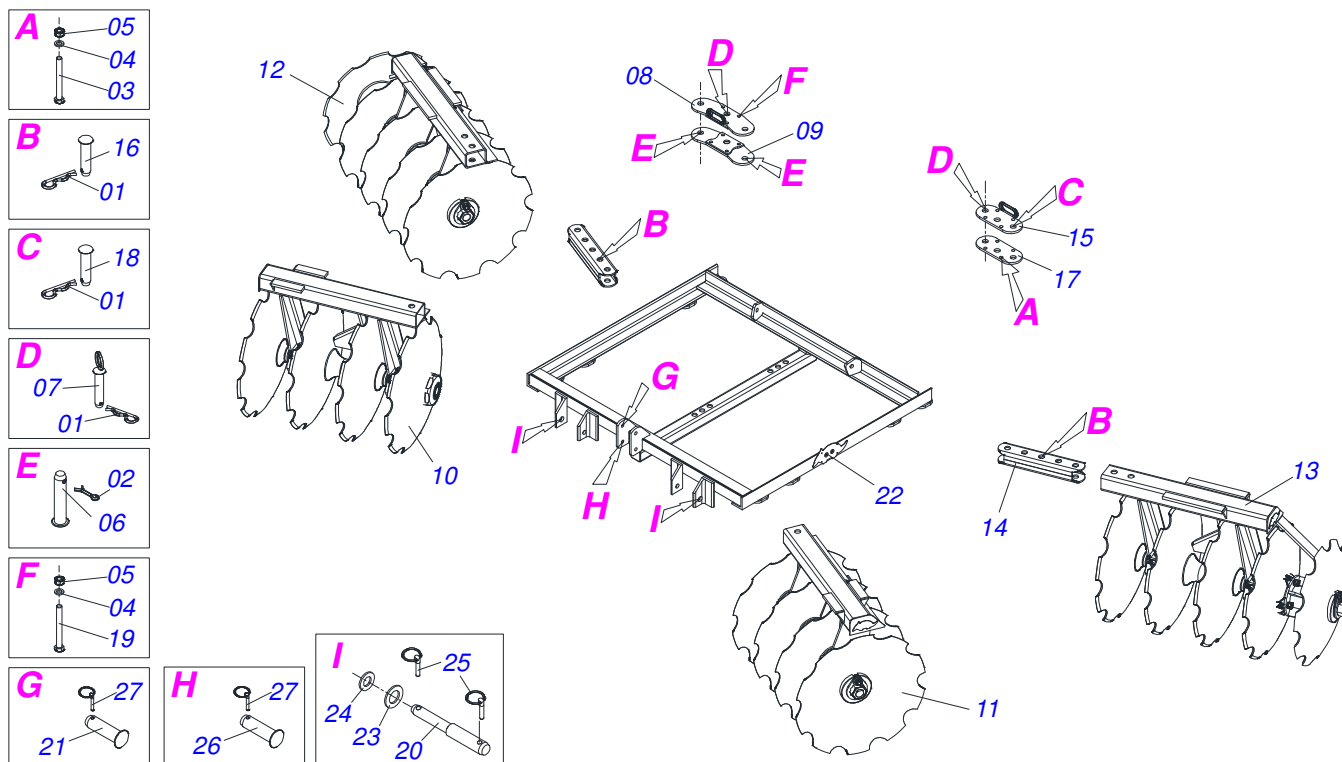
Code	Description
0102190104	GH2 1007T 24 X 20X3,50 DM MT S-0605
0102190125	GH2 1007T 20 X 20X3,50 DM MT S-0605

## ATTENTION: **IMPORTANT**

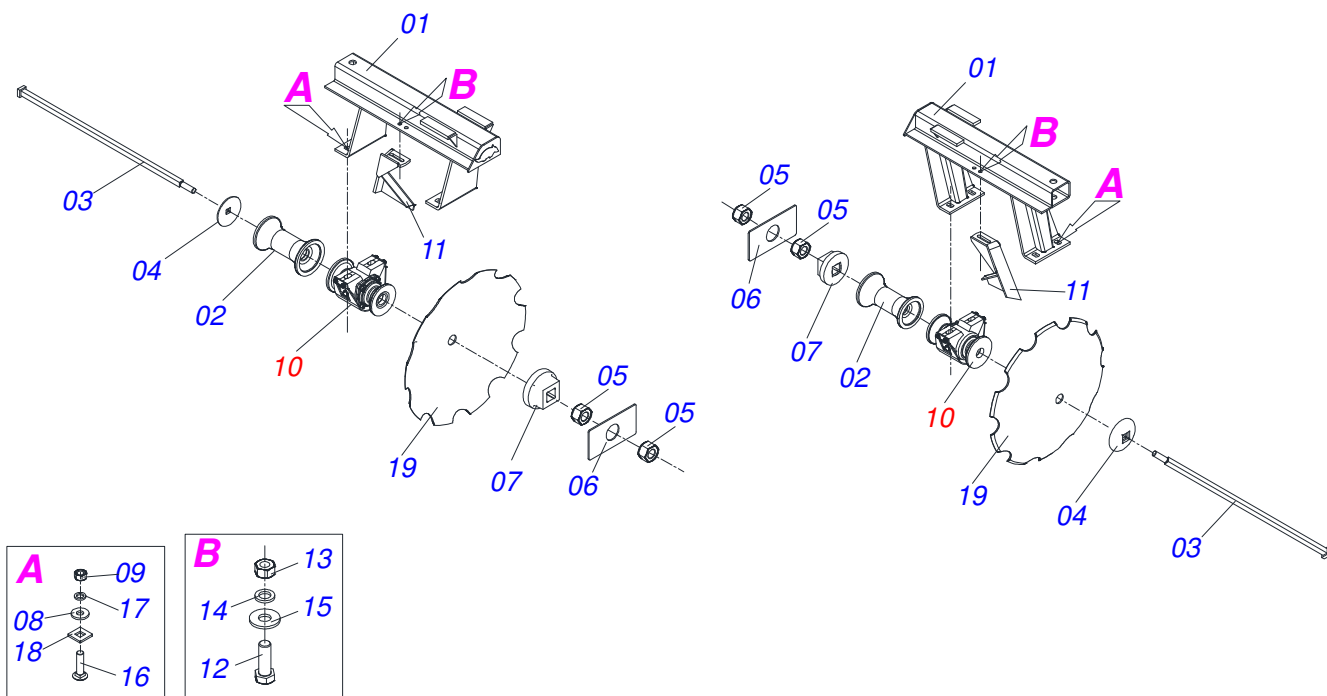
MARCHESAN S/A RESERVES THE RIGHT AT ANY TIME TO MAKE IMPROVEMENTS IN THE DESIGN, MATERIAL OR SPECIFICATIONS OF MACHINERY, EQUIPMENT OR PARTS WITHOUT THEREBY BECOMING LIABLE TO MAKE SIMILAR CHANGES IN MACHINERY, EQUIPMENT OR PARTS PREVIOUSLY SOLD.

# INDEX

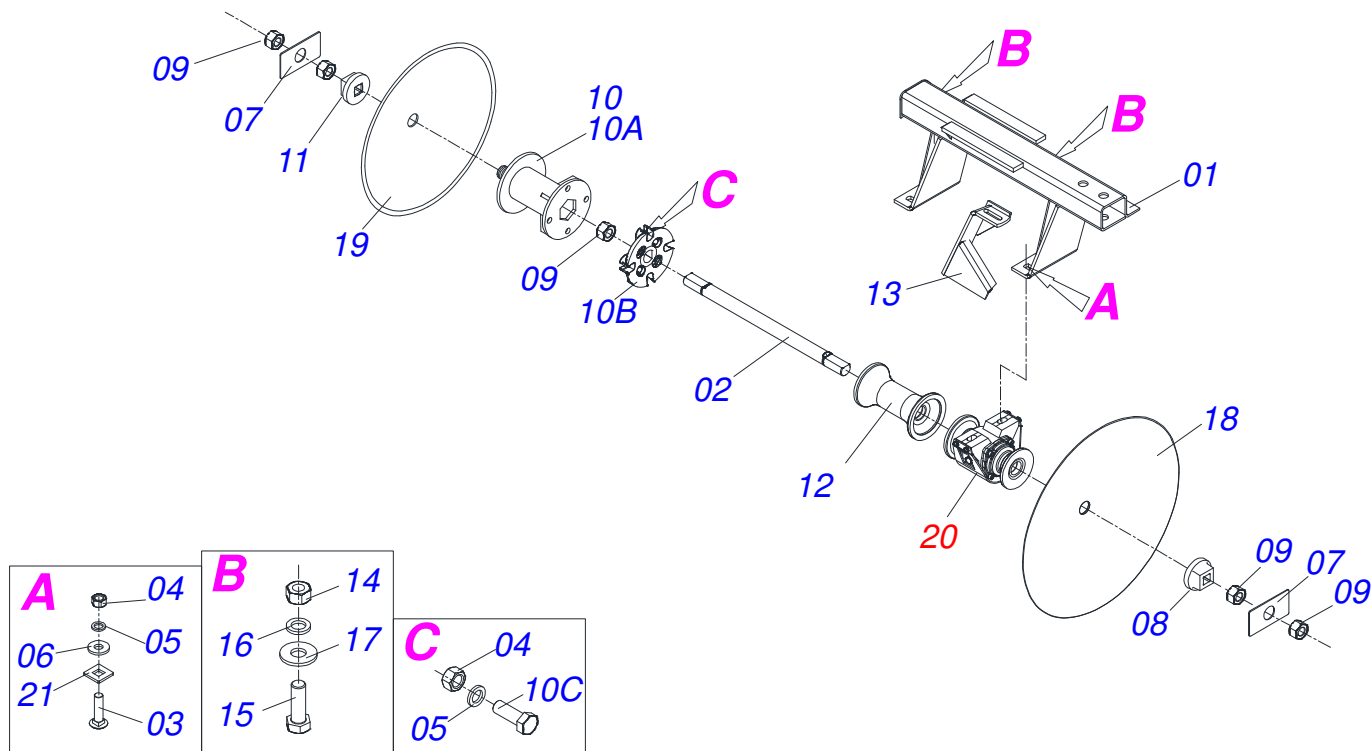
0909094439	GH2 1007T	.....	1
0909094013	FRONT FRAME ASSY	.....	2
0909094425	RIGHT LEFT REAR FRAME ASSY	.....	3
0909093440	OIL BATH BEARING	.....	4



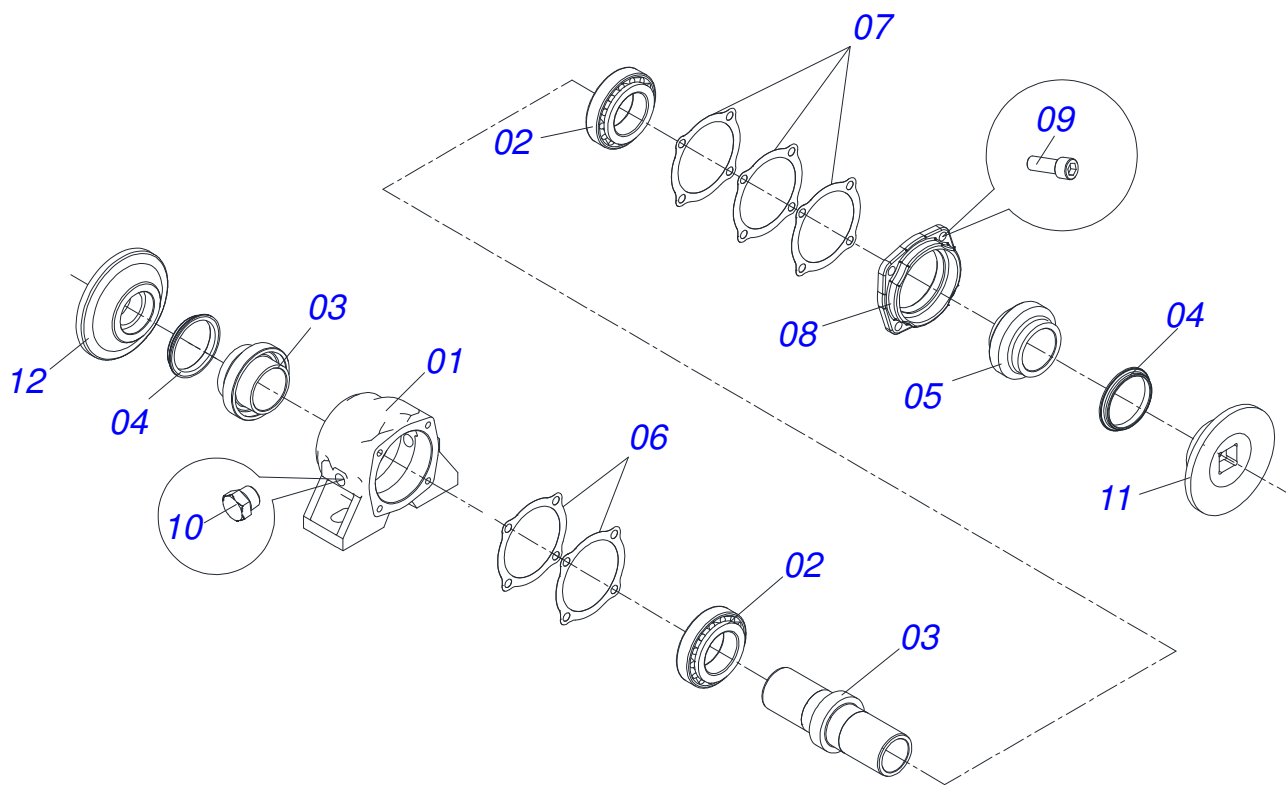
Item	Code	Description	20	24
01	0503031035	HAIR PIN	06	06
02	0503010571	1/4" X 1.1/2 COTTERPIN	06	06
03	0503010384	1/2" X 5" BOLT	04	04
04	0503010019	1/2" SPRING WASHER	08	08
05	0503010060	1/2" NUT	08	08
06	0521010581	0.9" X 4.9" COUPLING SHAFT	02	02
07	0511067081	LOCK PIN	02	02
08	0511068780	FRONT UPPER REGULACION	01	01
09	0511068795	FRONT LOWER REGULACION	01	01
10	0511066923	RIGHT FRONT FRAME	01	01
10.	0511067050	RIGHT FRONT FRAME GH-2 20	01	01
11	0511066947	LEFT FRONT FRAME GH-2 24	01	01
11.	0511067051	LEFT FRONT FRAME GH-2 20	01	01
12	0511066924	RIGHT REAR FRAME GH-2 24	01	01
12.	0511067052	RIGHT REAR FRAME GH-2 20	01	01
13	0511066948	LEFT REAR FRAME GH-2 24	01	01
13.	0511067053	LEFT REAR FRAME GH-2 20	01	01
14	0511066990	ADJUSTMENT TUBE	02	02
15	0511066991	REAR ADJUSTMENT BASE	01	01
16	0521010577	0.9" X 4.1" COUPLING SHAFT	04	04
17	0541018540	REGULATORY BODY REAR BASE	01	01
18	0521010578	COUPLING SHAFT	03	03
19	0503010706	1/2" X 4.1/2" BOLT	04	04
20	0541015542	1.1/8" HITCH AXLE	03	03
21	0511011887	COUPLING SHAFT	02	02
22	0511067057	CENTER FRAME GH-2 1000T 20/24	01	01
23	0501012916	FLAT WASHER 38,50 X 66 X 4,75 ZN	02	02
24	0511017480	FLAT WASHER	02	02
25	0503030430	7/16 X 2" PIN LOCK	04	04
26	0521010578	COUPLING SHAFT	01	01
27	0503030085	LOCK PIN	02	02



Item	Code	Description	QT
01	0511066923	RIGHT FRONT FRAME	01
01.	0511066947	LEFT FRONT FRAME GH-2 24	01
02	0502010933	192,5 SPACER	01
03	0501044110	1" X 43.3" SQUARE AXLE WITH NUTS	02
04	0502010075	EXTERNAL AXLE WASHER	01
05	0501010110	1.1/2" NUT	08
06	0501010450	NUT LOCK	01
07	0502010076	INNER AXLE WASHER FQ	01
08	0501012140	FLAT WASHER	02
09	0503010013	5/8" NUT	02
10	0501046921	7.5" Q1" OIL BATH BEARING	08
11	0511066928	RH FRONT/LH REAR SCRAPER	02
11.	0511066927	LH FRONT/RH REAR SCRAPER	02
12	0503010920	1/2" X 1.1/2" BOLT	01
13	0503010060	1/2" NUT	01
14	0503010019	1/2" SPRING WASHER	01
15	0511017302	FLAT WASHER	01
16	0503015154	5/8" X 2.3/4" BOLT	01
17	0503010027	SPRING WASHER	01
18	0501010947	5/8 NUT LOCK	01
19	0602030419	24" X 4,75" NOTCHED DISC BLADE	08



Item	Code	Description	QT
01	0511066924	RIGHT REAR FRAME GH-2 24	01
01.	0511066948	LEFT REAR FRAME GH-2 24	01
02	0511010766	1-1/2" X 810 AXLE ASSY	02
03	0501014177	5/8" X 2-1/2" BOLT	01
04	0503010013	5/8" NUT	03
05	0503010027	SPRING WASHER	01
06	0501012140	FLAT WASHER	03
07	0501010450	NUT LOCK	02
08	0502010076	INNER AXLE WASHER FQ	01
09	0501010110	1.1/2" NUT	06
10	0501056745	COMPLEMENT KIT GANG DISK	01
10A	0511067145	227 SPACER	01
10B	0502012376	1-1/2" EXTERNAL AXLE LOCK	01
10C	0503010232	5/8" X 1.3/4" BOLT	04
11	0502010075	EXTERNAL AXLE WASHER	01
12	0502010933	192,5 SPACER	01
13	0511066927	LH FRONT/RH REAR SCRAPER	01
13.	0511066928	RH FRONT/LH REAR SCRAPER	01
14	0503010060	1/2" NUT	03
15	0503010920	1/2" X 1.1/2" BOLT	03
16	0503010019	1/2" SPRING WASHER	03
17	0511017302	FLAT WASHER	03
18	0601031114	24" X 4,75 PLAIN DISC BLADE	08
19	0601029302	22" X 4,5 PLAIN DISC BLADE	02
20	0501046921	7.5" Q1" OIL BATH BEARING	08
21	0501010947	5/8 NUT LOCK	04



Item	Code	Description	QT
01	0502010540	HOUSING DM	01
02	0503010111	30210 ROLLER BEARING	01
03	0502040381	AXLE	01
04	0503030026	SEAL LP JB-253	02
05	0502010541	SEAL RETAINER	01
06	0503030013	4.4" X 3.5" X 0.004" JOINT	03
07	0503030684	4.4" X 3.5" X 0.004" JOINT	02
08	0502020424	HOUSING CAP DM	01
09	0503010134	3/8" X 1" BOLT	04
10	0503010856	OIL PLUG	01
11	0502010297	OUTER FLANGE	01
12	0502010298	INNER FLANGE	01







**MARCHESAN IMPLEMENTOS E MÁQUINAS AGRÍCOLAS TATU S.A.**

AV. Marchesan, 1979 - Post office box, 131 - CEP 15994-900 - Matão - SP - Brazil

Phone +55 16.3382-8282

(FAX Parts) + 55 16.3382. 8297 - (Export) + 55 16.3382.1003

e.mail: [tatu@marchesan.com.br](mailto:tatu@marchesan.com.br) [www.marchesan.com.br](http://www.marchesan.com.br)

**Technical Publications: Elaboration**

ALESSANDRA PATRICIA KAWAHARA CARRILI

**Technical Publications: Revision**

ALESSANDRA PATRICIA KAWAHARA CARRILI

*Contact Catálogo:*

*E-mail = [jgaspari@marchesan.com.br](mailto:jgaspari@marchesan.com.br)*

**ORIGINAL PARTS  
TATU**

