



MARCHESAN

PARTS CATALOGUE

IMPLEMENTS FOR SUGAR CANE

Code:

0501091669

Product:

SAT CTP 02L - HYDRAULIC / MECHANICAL



Series:

S-0905

Revision:

00

Date Revision:

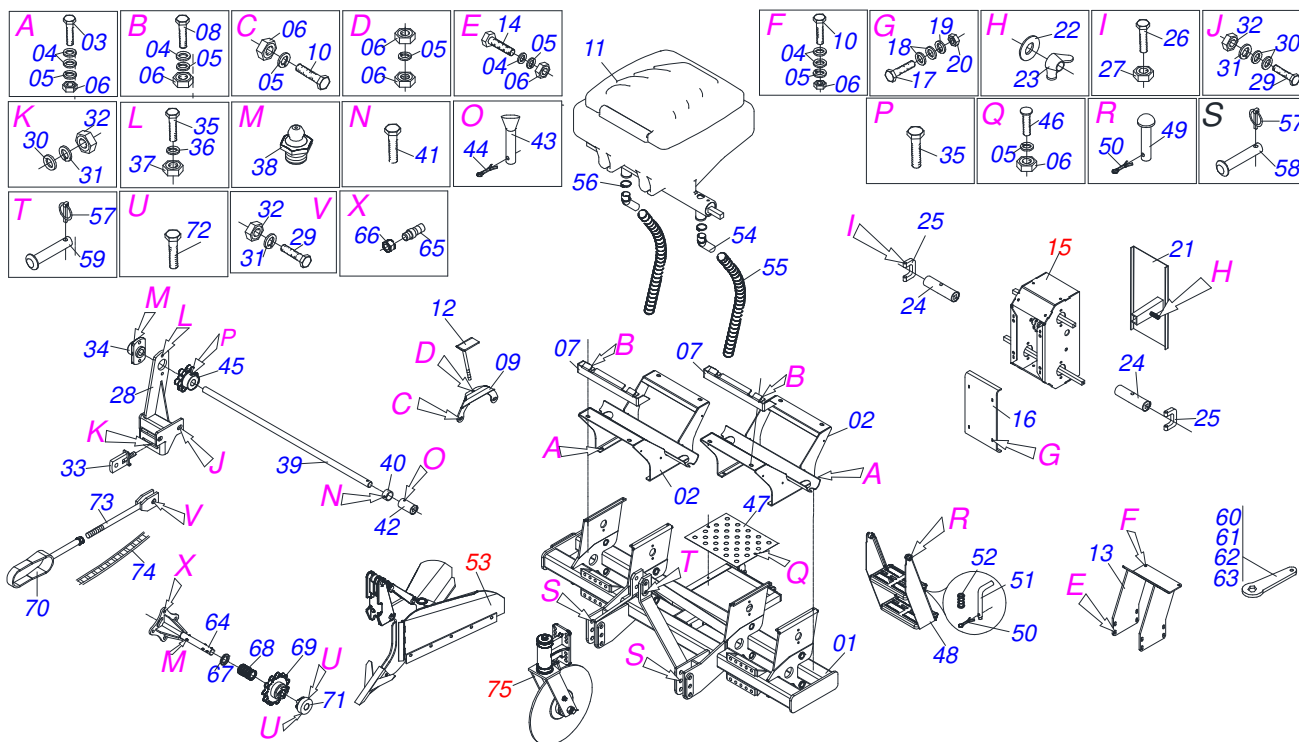
MARÇO/2016



MARCHESAN

INDEX

0909094446	MECANIC FRAME	1
0909094447	HIDRAULIC FRAME	2
0909094445	FERTILIZER BEAM ASSY	3
0501056287	SPEED BOX VARIADOR	4
0511044355	24" BLADE DISC ASSY	5
0909094448	FURROWER ASSY	6
0909094449	SHANKS SYSTEM ASSY	7



Item	Code	Description	See page	QT
01	0511067104	FRAME		01
02	0511068657	SILO SUPPORT		02
03	0503010849	3/8" X 1-1/2" BOLT		08
04	0501010984	FLAT WASHER		44
05	0503010025	3/8" SPRING WASHER		36
06	0503010026	3/8" NUT		40
07	0511068656	FERTILIZER BEAM LOCK		02
08	0501010096	3/8" X 2" BOLT		04
09	0511067206	FASTENER SUPPORT		04
10	0503011087	3/8" X 1" BOLT		10
11	0503061669	COVER GREEN BOX FERTIL YELLOW		02
12	0511067314	FASTENER SINGLE BOX FERTILIZER		04
13	0511067107	SPEED SUPPORT VARIADOR		01
14	0503010751	C3/8" X 1.1/4" HEX BOLT G.5		08
15	0501056287	SPEED BOX VARIADOR	4	01
16	0541019052	SPEED COVER VARIADOR		01
17	0503010461	1/4" X 1" BOLT		04
18	0511017303	FLAT WASHER		08
19	0503010143	1/4" SPRING WASHER		04
20	0503010144	1/4" NUT		04
21	0511066626	SPEED COVER BOX		01
22	0521013303	WASHER		01
23	0503010499	5/16" UNC BUTTERFLY NUT		01
24	0502012007	SQUARE SLEEVE		02
25	0521013222	U PULLER		02
26	0503010397	5/16" X 1-3/4" BOLT		02
27	0503010337	5/16" NUT		06
28	0511067106	DRIVING AXLE SUPPORT		01
29	0501010125	3/4" X 2-1/2" BOLT		03
30	0501010322	FLAT WASHER		05
31	0503010023	3/4" SPRING WASHER		04

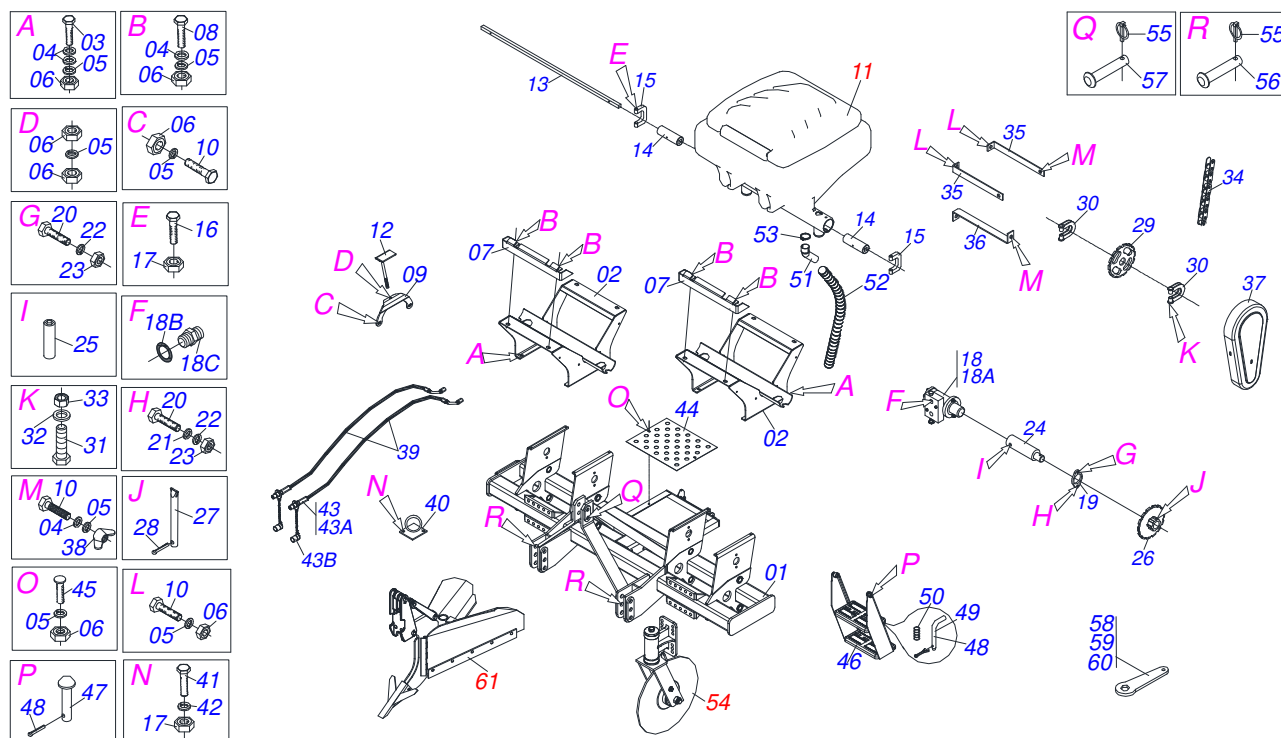


MECANIC FRAME

0909094446

Item	Code	Description	See page	QT
32	0503010014	3/4" NUT		04
33	0511067394	EAR DISARMENT		01
34	0501110014	AGRICULTURAL BEARING		01
35	0501010077	1/2" X 2" BOLT		04
36	0503010019	1/2" SPRING WASHER		18
37	0503010060	1/2" NUT		18
38	0503010002	1800 GREASE FITTING		18
39	0541018896	DRIVER AXLE		01
40	0501010783	DRIVING AXLE LUCK		01
41	0503010834	1/2 X 1 BOLT		01
42	0511067108	SLEEVE AXLE DRIVING		01
43	0521010530	COUPLING SHAFT		01
44	0503010140	1/8" X 3/4" COTTERPIN		01
45	0502010156	6Z GEAR		01
46	0501011643	3/8 X 1"BOLT		02
47	0541018908	PLATFORM BODY		01
48	0501069281	RIGHT LADDER		01
49	0521010542	COUPLING SHAFT		02
50	0503010257	1/8" X 1" COTTERPIN		02
51	0521011249	LADDER LOCK PIN		01
52	0503030190	0.5" X 1.6" X 0.05" SPRING		01
53	0501054884	SHANKS SYSTEM ASSY		02
54	0503030150	BEND SOCKET		04
55	0501010769	2" X 31.5" HOSE ASSY		04
56	0503010246	CLAMP		04
57	0511067339	HOSE SUPPORT		04
58	0503013096	5/16" X 4" BOLT		04
59	0503010179	5/16" ZN SPRING WASHER		04
60	0521012126	1.3" CABLE FLAT WRENCH HEX		01
61	0531014773	2.3 CABLE FLAT WRENCH HEX		01
62	0521012199	1.6" GANG BOLT WRENCH		01
63	0521012200	2" CABLE FLAT WRENCH		01
64	0501061186	MOTOR SUPPORT		01
65	0501010762	STUD		04
66	0501016992	3/4" CONIC NUT		04
67	0501010765	SPINDLE GUIDE		01
68	0503030086	COMPRESSION SPRING		01
69	0502010121	11Z GEAR		01
70	0501061189	COUPLING/UNCOUPLING ARM		01
71	0502011379	RH FOLLOWER		01
72	0503010734	1/2" X 2-1/2" BOLT		02
73	0501067747	ROD DRIVING		01
74	0503010252	57 CHAIN X 63 LINK		01
75	0511044355	24" BLADE DISC ASSY	5	02

HIDRAULIC FRAME



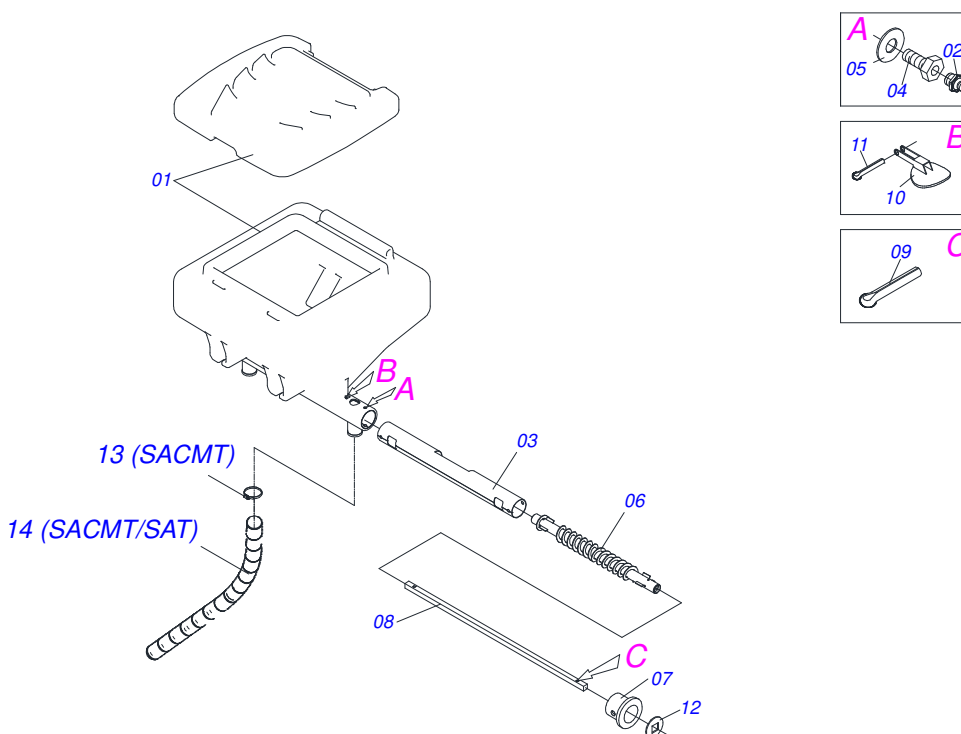
Item	Code	Description	See page	QT
01	0511067104	FRAME	01	01
02	0511068657	SILO SUPPORT	02	02
03	0503010849	3/8" X 1-1/2" BOLT	08	08
04	0501010984	FLAT WASHER	23	23
05	0503010025	3/8" SPRING WASHER	29	29
06	0503010026	3/8" NUT	30	30
07	0511068656	FERTILIZER BEAM LOCK	02	02
08	0501010096	3/8" X 2" BOLT	04	04
09	0511067206	FASTENER SUPPORT	04	04
10	0503011087	3/8" X 1" BOLT	11	11
11	0503061669	COVER GREEN BOX FERTIL YELLOW	02	02
12	0511067314	FASTENER SINGLE BOX FERTILIZER	04	04
13	0511011539	3/4" SQUARE SHAFT	01	01
14	0502012007	SQUARE SLEEVE	02	02
15	0521013222	U PULLER	02	02
16	0503010397	5/16" X 1-3/4" BOLT	02	02
17	0503010337	5/16" NUT	04	04
18	0501053421	VALVE MOTOR HYDRAULIC ASSY	01	01
18A	0503012829	VALVE HYDRAULIC MOTOR ASSY	01	01
18B	0503010045	O'RING	02	02
18C	0501010590	NIPPLE	02	02
19	0541019115	HYDRAULIC MOTOR FLANGE	01	01
20	0503011172	BOLT 1/2 UNC X 2.1/2 C S G.5 ZN	02	02
21	0511017302	FLAT WASHER	01	01
22	0503010019	1/2" SPRING WASHER	18	18
23	0503010060	1/2" NUT	18	18
24	0511067266	HIDRAULIC MOTOR AXLE	01	01
25	0503011136	1/2" X 1/2" CSI BOLT	01	01
26	0502010411	10Z GEAR	01	01
27	0521010530	COUPLING SHAFT	01	01
28	0503010140	1/8" X 3/4" COTTERPIN	01	01



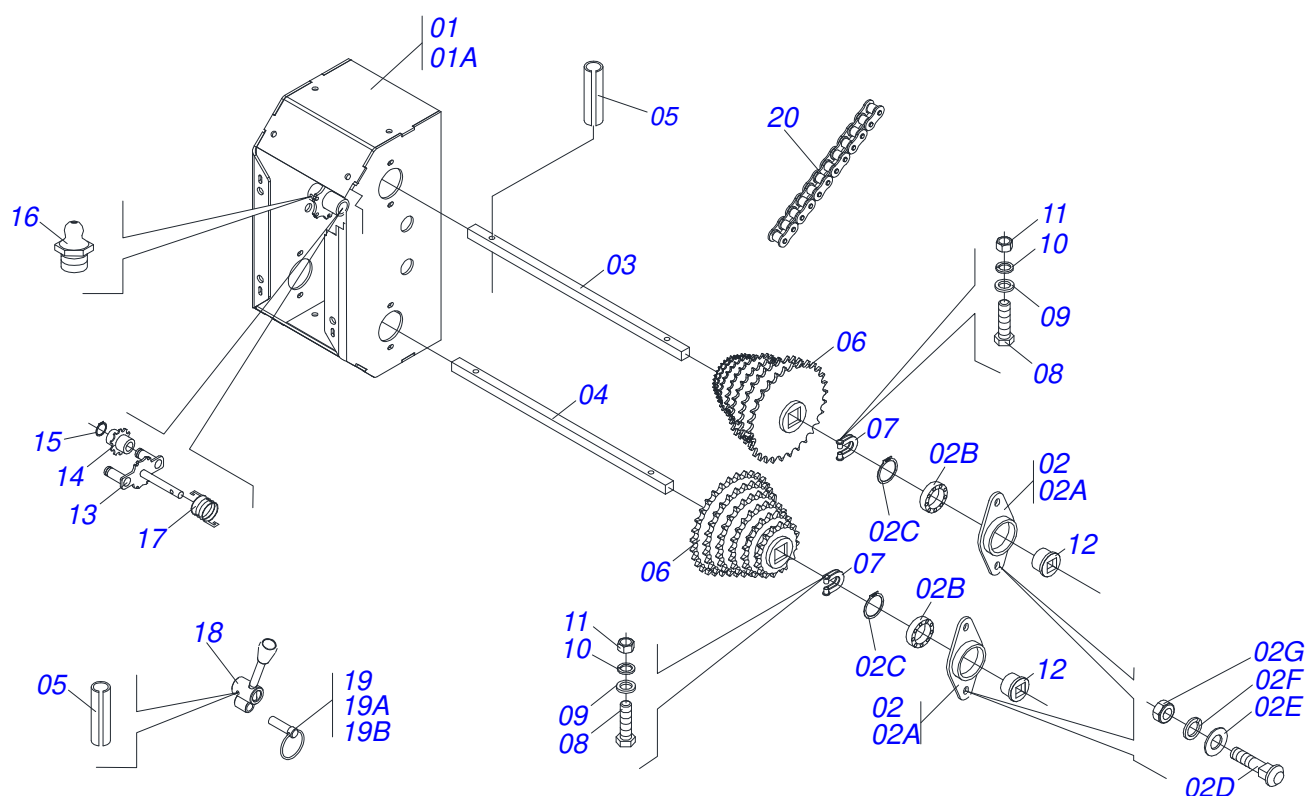
HIDRAULIC FRAME

0909094447

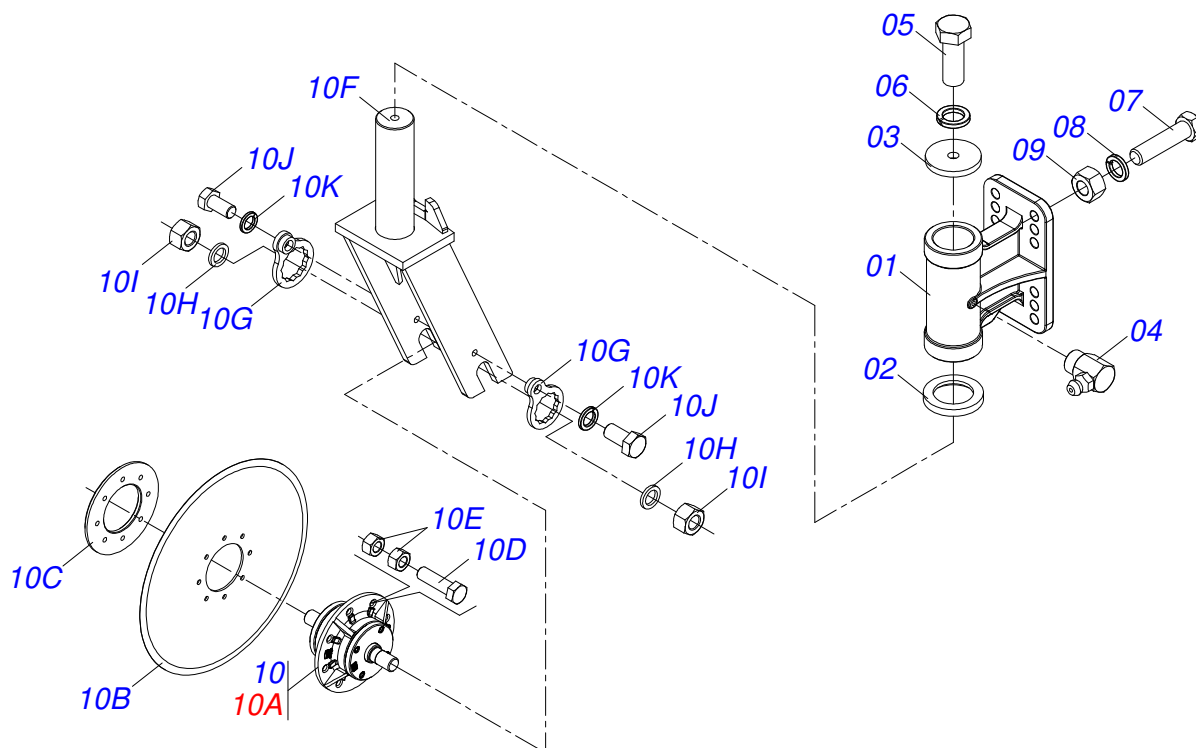
Item	Code	Description	See page	QT
29	0502011318	10Z GEAR		01
30	0521010691	AXLE FASTENER		02
31	0503010373	SCREW 1/4 UNC X 2 CS G.2 ZN		02
32	0511017303	FLAT WASHER		02
33	0503010144	1/4" NUT		02
34	0503013996	2050 CHAIN X 28 LINK + REDUCTION		01
35	0551015602	CHAIN CAP UPPER SUPPORT		02
36	0551015603	CHAIN CAP LOWER SUPPORT		01
37	0503032927	CHAIN CAP BLACK		01
38	0503010209	3/8" UNC BUTTERFLY NUT		03
39	0501080097	HOSE 1/2 X 2500 TC-TM		02
40	0511062800	HOSE ASSY FIZER		01
41	0503010371	5/16" X 1" BOLT		02
42	0503010179	5/16" ZN SPRING WASHER		02
43	0501053834	MALE QUICK COUPLER WITH CAP - 1/2 NPT		02
43A	0503011627	MALE QUICK COUPLER AGR 1/2 NPT		01
43B	0503011882	MALE QUICK COUPLER CAP		01
44	0541018908	PLATFORM BODY		01
45	0501011643	3/8 X 1"BOLT		02
46	0501069281	RIGHT LADDER		01
47	0521010542	COUPLING SHAFT		02
48	0503010257	1/8" X 1" COTTERPIN		03
49	0521011249	LADDER LOCK PIN		01
50	0503030190	0.5" X 1.6" X 0.05" SPRING		01
51	0503031050	CURVED CONDUCTOR		04
52	0501010769	2" X 31.5" HOSE ASSY		04
53	0503010246	CLAMP		04
54	0511044355	24" BLADE DISC ASSY	5	02
55	0503030085	LOCK PIN		03
56	0521012124	COUPLING SHAFT		02
57	0521012533	COUPLING SHAFT		01
58	0531014773	2.3 CABLE FLAT WRENCH HEX		01
59	0521012199	1.6" GANG BOLT WRENCH		01
60	0521012200	2" CABLE FLAT WRENCH		01
61	0511045142	FURROWER ARM ASSY		02



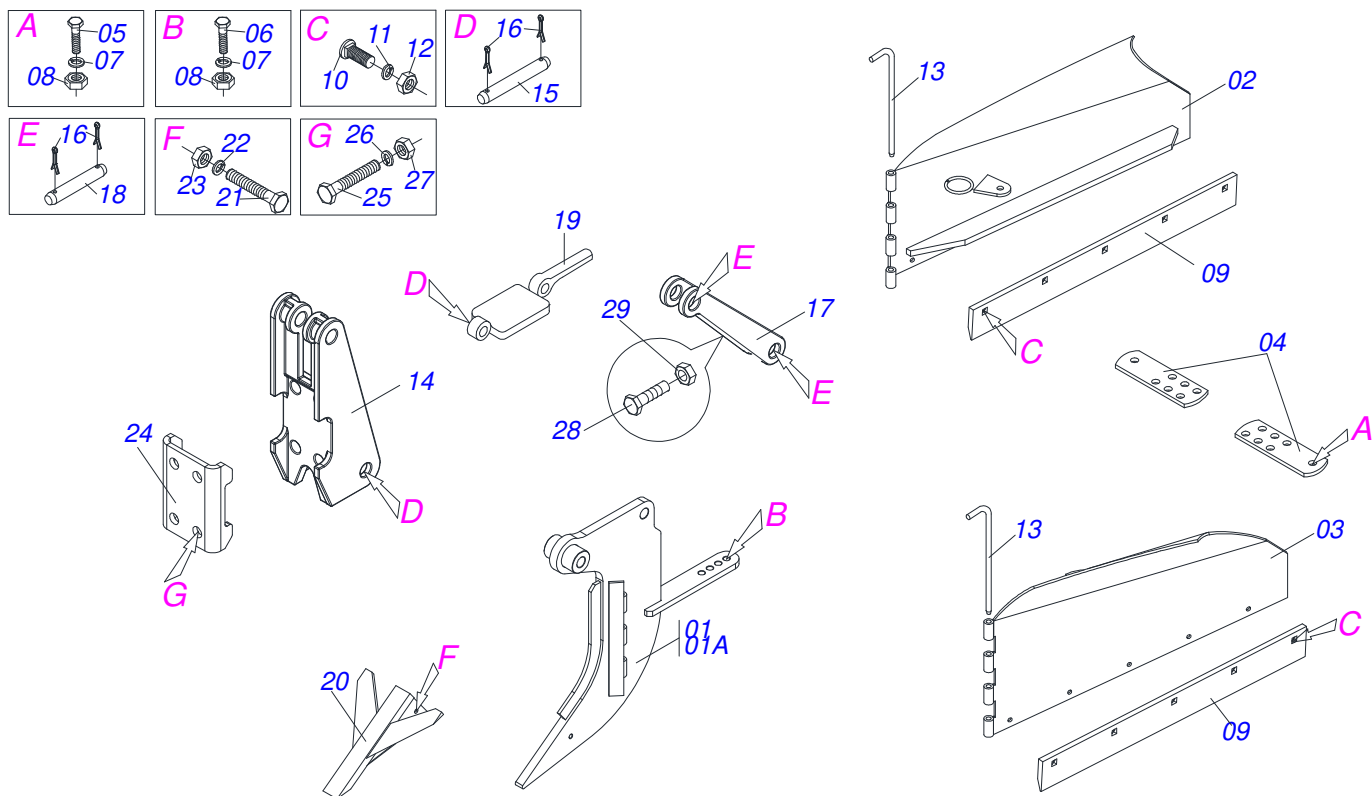
Item	Code	Description	See page	QT
01	0503061669	COVER GREEN BOX FERTIL YELLOW		01
02	0503010691	1/4" GREASE FITTING		04
03	0551015492	TUBE COATED		01
04	0541014215	BEARING BOLT		04
05	0511017302	FLAT WASHER		04
06	0511068620	FERTILIZER CONDUCTOR		01
07	0551015225	FERTILIZER CONDUCTOR BEARING		02
08	0501010780	AXLE Q 3/4 X 840 SAC/M		1
09	0503010571	1/4" X 1.1/2 COTTERPIN		2
10	0511067667	COVER SOCKET		2
11	0503010362	1/8" X 1.1/4" COTTERPIN		2
12	0501010637	FLAT WASHER		2
13	0503011266	CLAMP 2.1/4" A 3" 57-76		2
14	0551013641	2.1/2" X 1430 HOSE ASSY		2



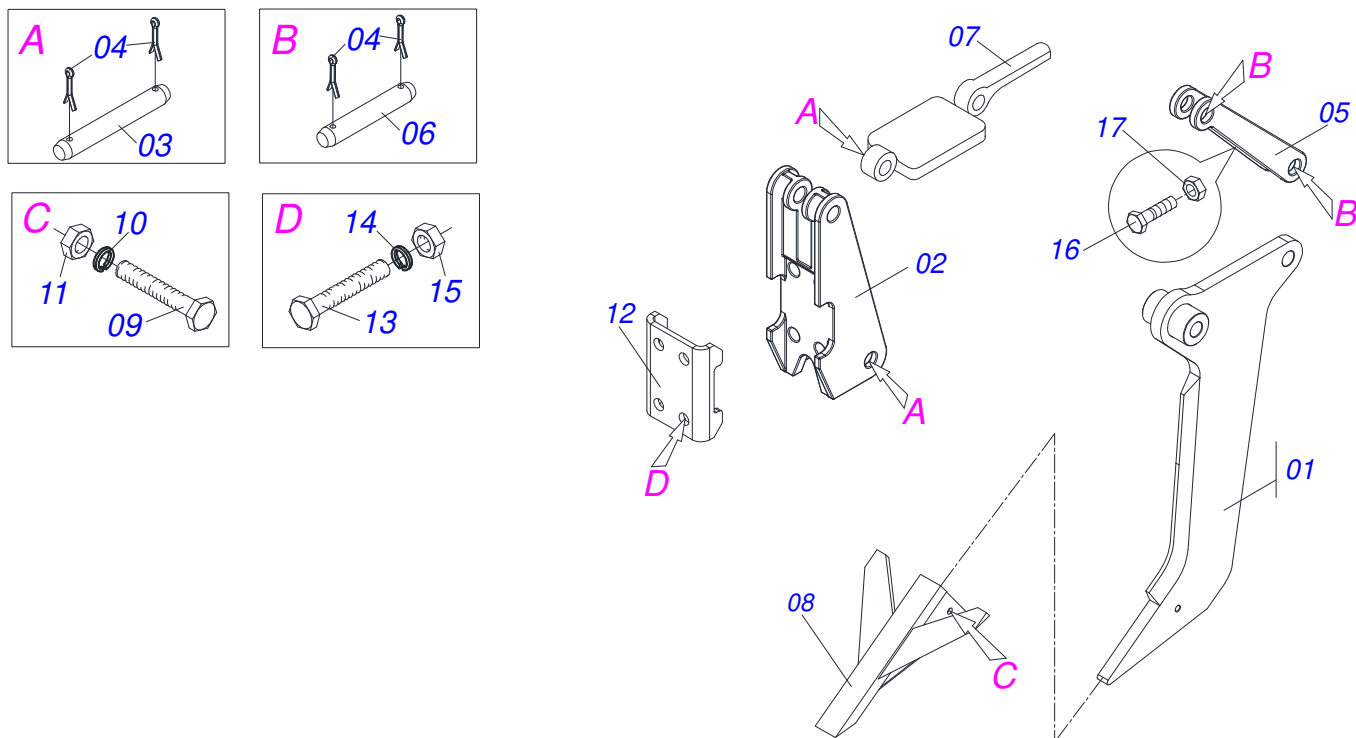
Item	Code	Description	See page	QT
01	0501056287	SPEED BOX VARIADOR	4	01
01A	0511066625	SPEED BOX VARIADOR		01
02	0501053361	SPEED DOUB BEARING VARIADOR		04
02A	0502011987	DOUBLE HOUSING BEARING		01
02B	0503011410	ROLLER BEARING		02
02C	0503011105	SEAL RING		01
02D	0503011953	5/16" X 1" BOLT		02
02E	0501010694	8.5 X 18 X 1.5 FLAT WASHER		02
02F	0503010179	5/16" ZN SPRING WASHER		02
02G	0503010337	5/16" NUT		02
03	0521013283	SPEED AXLE TRANSMISSION		01
04	0541016956	SPEED AXLE TRANSMISSION		01
05	0503010292	0.2" X 1.6" SPRING PIN		05
06	0501069700	FERTILIZER GEAR ASSY		02
07	0521010691	AXLE FASTENER		04
08	0503010373	SCREW 1/4 UNC X 2 CS G.2 ZN		04
09	0511017303	FLAT WASHER		04
10	0503010143	1/4" SPRING WASHER		04
11	0503010144	1/4" NUT		04
12	0503031527	AGRICULTURAL BEARING		04
13	0511060393	CHAIN TENSIONER ASSY		01
14	0503031805	11Z 1/2" GEAR		02
15	0503010302	501019 SEAL RING		02
16	0503010002	1800 GREASE FITTING		01
17	0503031366	RIGHT TWISTED SPRING RECAMBIO		01
18	0502011758	REAR TENSIONER LEVER		01
19	0501048790	AXLE WITH LINK ASSY		01
19A	0521012476	GEAR BOX LEVER AXLE		01
19B	0503031369	LINK		01
20	0503012143	78 CHAIN X 40-1 LINK + REDUCTION		01



Item	Code	Description	See page	QT
01	0502012370	WITH BLADE DISC SUPPORT		01
02	0541018869	FLAT WASHER		01
03	0541018868	FLAT WASHER		01
04	0503010004	1890 GREASE FITTING		01
05	0501010098	3/4" UNC BOLT		01
06	0503010023	3/4" SPRING WASHER		01
07	0501010500	3/4"X3"BOLT		04
08	0503010023	3/4" SPRING WASHER		04
09	0503010014	3/4" NUT		04
10	0501056943	24" BLADE DISC		01
10A	0501057526	DISC HUB		01
10B	0603030044	24" X 0.2" FLAT PLAIN DISC		01
10C	0521011824	BLADE DISC FLANGE OUTER		01
10D	0503011172	BOLT 1/2 UNC X 2.1/2 C S G.5 ZN		08
10E	0503010060	1/2" NUT		16
10F	0511067105	BLADE DISC FORK		01
10G	0501069637	AXLE NUT LOCK		02
10H	0521012664	FLAT WASHER		02
10I	0501010087	1.1/4" NUT		02
10J	0503010962	5/8" X 1-1/4" BOLT		02
10K	0503010027	5/8" SPRING WASHER		02



Item	Code	Description	See page	QT
01	0511045142	FURROWER ARM ASSY		01
01A	0501069713	FURROWER ARM		01
02	0511067531	WING RIGHT SET		01
03	0511067530	WING LEFT SET		01
04	0551011638	ADJUSTMENT BAR		02
05	0503010899	5/8" X 2-1/4" BOLT		02
06	0501013233	5/8" X 2-3/4" BOLT		01
07	0503010027	5/8" SPRING WASHER		03
08	0503010013	5/8" NUT		03
09	0551013447	SCRAPER		02
10	0503011426	7/16" X 1-1/4" BOLT		10
11	0503010180	7/16" SPRING WASHER		10
12	0503010244	7/16" NUT		10
13	0521012821	PIVOT SHAFT		02
14	0502011165	REAR FIXER		01
15	0511015688	1.1" X 7.1" COUPLING SHAFT		01
16	0503010571	1/4" X 1.1/2" COTTERPIN		08
17	0502011164	SUPPORT SPRING		01
18	0511015689	1.1" X 3.5" COUPLING SHAFT		02
19	0521011631	AUTOMATIC RESET		01
20	0511067839	POINT PLOW ALADA UNIVERSAL		01
21	0503011236	3/8" X 2" BOLT		01
22	0503010025	3/8" SPRING WASHER		01
23	0503010026	3/8" NUT		01
24	0502011166	FRONT FIXER		01
25	0511019527	1" X 8" BOLT		04
26	0503011438	SPRING WASHER		04
27	0503010340	1" NUT		04
28	0503011173	7/16" X 2" BOLT		01
29	0503010244	7/16" NUT		01



Item	Code	Description	See page	QT
01	0501069713	FURROWER ARM		01
02	0502011165	REAR FIXER		01
03	0511015688	1.1" X 7.1" COUPLING SHAFT		02
04	0503010571	1/4" X 1.1/2 COTTERPIN		08
05	0502011164	SUPPORT SPRING		01
06	0511015689	1.1" X 3.5" COUPLING SHAFT		02
07	0521011631	AUTOMATIC RESET		01
08	0511067839	POINT PLOW ALADA UNIVERSAL		01
09	0503011236	3/8" X 2" BOLT		01
10	0503011443	3/8" SPRING WASHER		01
11	0503010026	3/8" NUT		01
12	0502011166	FRONT FIXER		01
13	0511019527	1" X 8" BOLT		04
14	0503011438	SPRING WASHER		04
15	0503010340	1" NUT		04
16	0503011195	7/16" X 1.3/4" BOLT		01
17	0503010244	7/16" NUT		01



www.marchesan.com.br



Technical Publications | Elaboration and Revision
ALESSANDRA PATRICIA KAWAHARA CARRILI