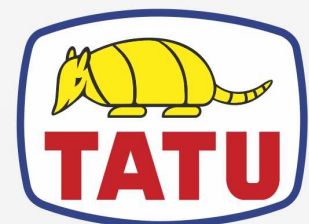


CHASER BIN

DCCO 10500 MC STARTER WITH HYDRAULIC

Code: 0501091668
Series: S-0114
Revision: 01
Date Revision: FEVEREIRO/2023

PARTS CATALOGUE



MARCHESAN



PRODUCTS

Code	Description
0109090203	DCCO 10500 MC C/ACIONAM HIDR S-0114
0109090214	DCCO 10500 MC C/RODA S/PNEU C/ACIONAM HIDR S-0114

ATTENTION: IMPORTANT

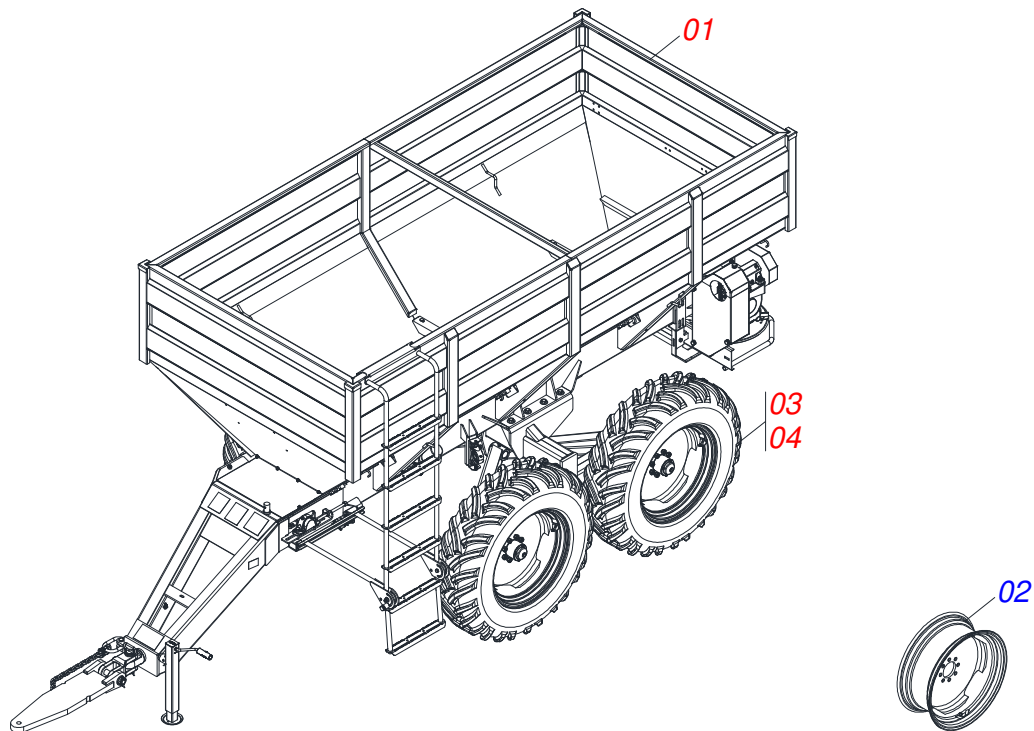
Marchesan S.A. reserves the right to improve and/or modify the technical features of its products, without obligation to do the same with those products already sold and without prior knowledge of the dealer or the customer. The photos are only illustrative.



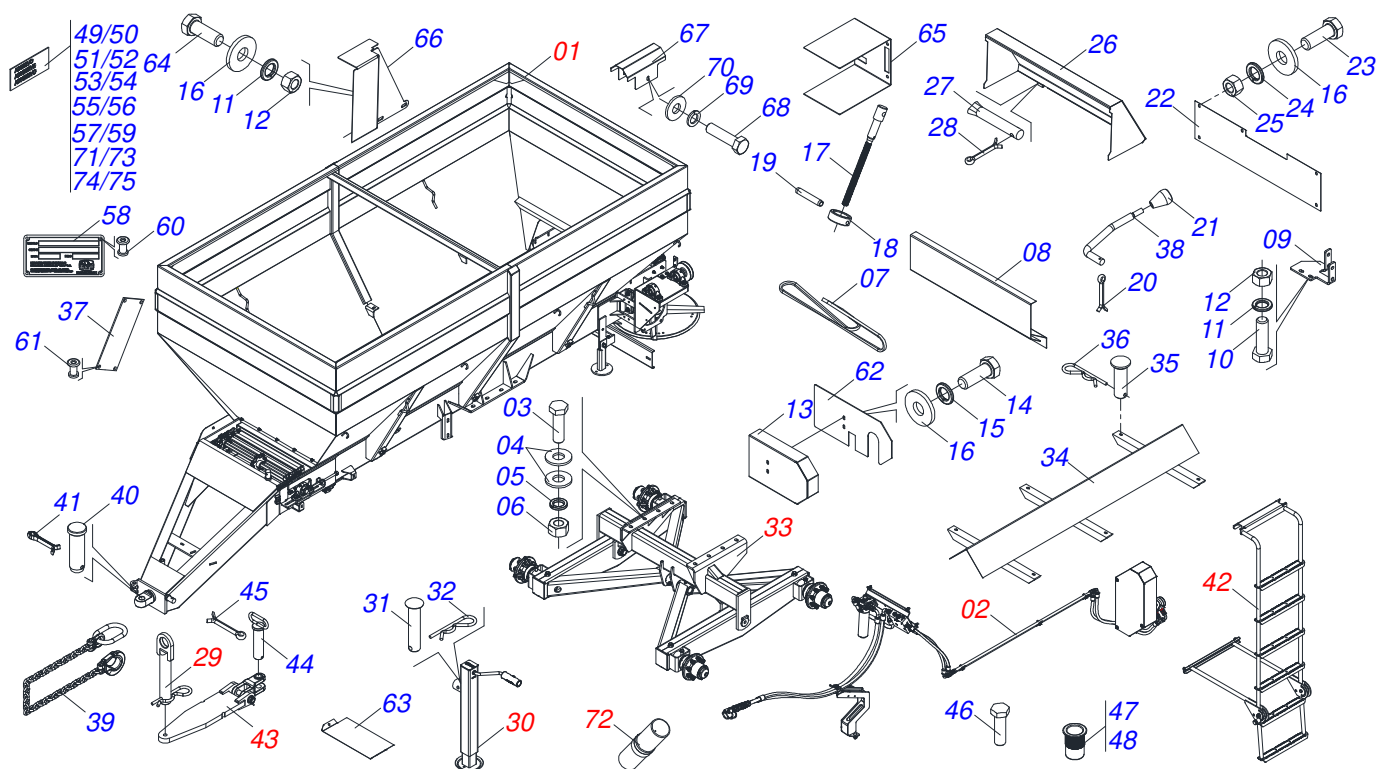
MARCHESAN

INDEX

0909096162	ASSY FRAME	1
0521045505	FRAME ASSY	2
0511057176	BUCKET	3
0501044308	AGRICULTURAL BEARING ASSY	4
0511041213	AGRICULTURAL BEARING	5
0501047985	REDUCER	6
0501051774	38Z CROWN	7
0501053868	BELT TENSIONER ASSY	8
0501054013	RIGHT BEARRING SUPPORT DISC	9
0501048000	AGRICULTURAL BEARING	10
0501053870	DISTRIBUTOR RIGHT DISC ASSY	11
0501053871	DISTRIBUTOR LEFT DISC ASSY	12
0531050090	DRAWBOLT ASSY	13
0531050089	FULL DISK PROTECTOR	14
0511059105	SLUICE VALVE SUPPORT	15
0511059094	SHAFT BEARING THREADED	16
0511059108	SLUICE VALVE COVER ASSY	17
0521058130	SIMPLE HYDRAULIC DRIVE ASSEMBLY	18
0511053588	MOTOR HYDRAULIC OMP 80 WITH NIPPLE 7/8 NIPPE 7/8	19
0511054496	TENSIONER SMALEER ASSY	20
0501053834	MALE QUICK COUPLER	21
0521058120	SIMPLE HYDRAULIC ACTUATION HOSE SET	22
0521058094	SUPPORT HOSE	23
0521057951	SUPPORT SIMPLE HYDRAULIC DRIVE	24
0521057953	BLOCK HYDAC	25
0521057952	FILTER PRES PARKER HDA FP20 10FV 06B LV6	26
0521057599	FILTER PRESS PARKER HDA FP20 10FV 06B LV6 WITH NIPPLE	27
0511054497	TENSIONER LARGER ASSY	28
0501047881	AXIS JOINT ASSY	29
0503062157	DRAWBAR JACK	30
0511041110	BELL CRANK SUPPORT FIXATION	31
0501056347	CARRYING WHEELS WITHOUT TIRE	32
0511059187	ASSY LADDER	33
0511059024	ENGATE TRATOR COMPLETO	34
0511059222	WHEEL WITH TIRE RIGHT SIDE	35
0511059223	WHEEL WITH LEFT SIDE TIRE	36



Item	Code	Description	See page	QT
01	0521045505	FRAME ASSY	2	01
02	0511063924	DCCO 10500 WHEEL		04
03	0511059222	WHEEL WITH TIRE RIGHT SIDE	35	02
04	0511059223	WHEEL WITH LEFT SIDE TIRE	36	02

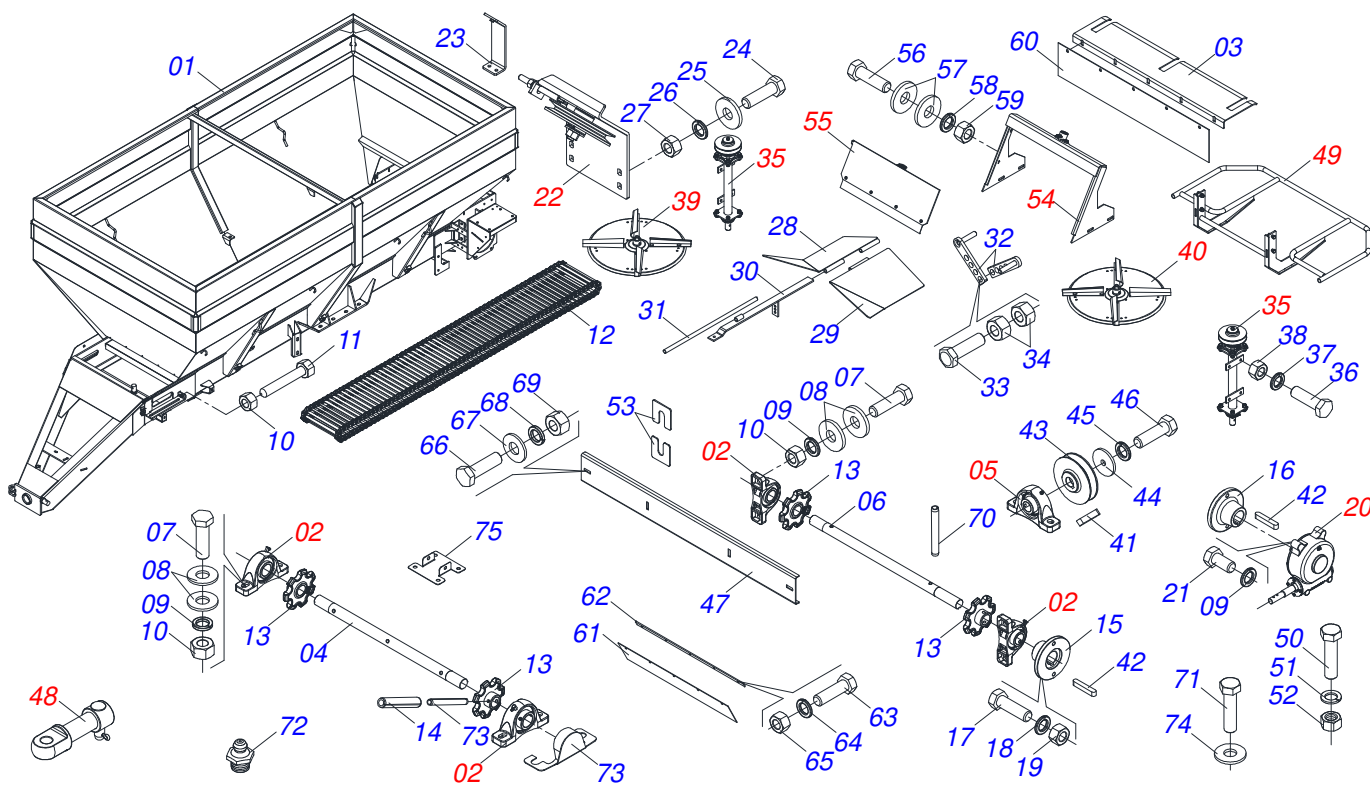


Item	Code	Description	See page	QT
01	0511057176	BUCKET	3	01
02	0521058130	SIMPLE HYDRAULIC DRIVE ASSEMBLY	18	01
03	0501010125	3/4" X 2-1/2" BOLT		08
04	0501010322	FLAT WASHER		16
05	0503010023	3/4" SPRING WASHER		08
06	0503010014	3/4" HEX NUT		06
07	0503012941	C-148 BELT		01
08	0521068794	BELT INTERNAL PROTECTION		01
09	0521068801	SUPPORT BELT PROTECTION		01
10	0503010237	3/8" X 1" BOLT		04
11	0503010025	3/8 SPRING WASHER		04
12	0503010026	3/8" NUT		06
13	0591016128	SIDE PROTECTION BELT		01
14	0503010237	3/8" X 1" BOLT		02
15	0503010025	3/8 SPRING WASHER		02
16	0501010984	10,50 X 27 X 3,00 FLAT WASHER		09
17	0561014861	REGULATOR		01
18	0511013015	SLEEVE		01
19	0503010561	SPRING PIN		01
20	0503010257	1/8" X 1" COTTERPIN		01
21	0503030878	LEVER CRANK		01
22	0531014340	REAR PROTECTION		01
23	0503010237	3/8" X 1" BOLT		05
24	0503010025	3/8 SPRING WASHER		05
25	0503010026	3/8" NUT		05
26	0511063408	REAR COVER PROTECTION		01
27	0501017574	0.3" X 2.7" AXLE		02
28	0503010140	1/8" X 3/4" COTTERPIN		02
29	0501047881	AXIS JOINT ASSY	29	01
30	0503062157	DRAWBAR JACK	30	01
31	0521010549	COUPLING SHAFT		01



**DCCO 10500 MC STARTER WITH HYDRAULIC
FRAME ASSY**

Item	Code	Description	See page	QT
32	0503030168	HITCH PIN CLIP		01
33	0511041110	BELL CRANK SUPPORT FIXATION	31	01
34	0511063853	LARGER DEFLECTOR		01
35	0521017623	0.5" X 1.5" COUPLING SHAFT		06
36	0503030168	HITCH PIN CLIP		06
37	0503030751	REGULATOR PLATE		01
38	0521011107	CRANK BODY		01
39	0503013150	1300 X 3/8 CHAIN		01
40	0581011220	COUPLING SHAFT		01
41	0503010131	3/16" X 1-1/2" COTTERPIN		01
42	0511059187	ASSY LADDER	33	01
43	0511059024	ENGATE TRATOR COMPLETO	34	01
44	0511066176	HITCH PIN		01
45	0503010010	1/4" X 2.1/2" COTTERPIN		01
46	0503010751	C3/8" X 1.1/4" HEX BOLT G.5		02
47	0503019416	RIVET SCREW THREAD INTERNAL		02
48	0503019413	THREAD SCREW INTERNAL		04
49	0503035156	LABEL ADHESIVE		01
50	0503034371	ADHESIVE LABEL		02
51	0503031859	ADHESIVE LABEL DANGER		02
52	0503031428	READ MANUAL DECAL		01
53	0503031827	LUBRICATE AND RETIGHTEN DAILY DECAL		01
54	0503031087	ADHESIVE LABEL		01
55	0503031809	ADHESIVE LABEL		01
56	0503031818	ADHESIVE LABEL		01
57	0503032425	ADHESIVE LABEL ATTENTION		01
58	0503034003	SERIAL NUMBER TAG 61 X 118		01
59	0503032949	ADHESIVE LABEL		01
60	0503010001	3.2 X 5.5 RIVET		04
61	0503012209	RIVET POP		04
62	0521068792	COVER PROTECTION		01
63	0581017449	FRONT PROTECTION BELT		01
64	0503010849	3/8" X 1-1/2" BOLT		06
65	0581017453	FLANGE PROTECTION COVER		01
66	0581017469	PROTECTION SIDE		01
67	0581015152	COVER PROTECTION		01
68	0503010240	BOLT		02
69	0503010179	LOCK WASHER 5/16 ZN 1K01528		02
70	0501010984	10,50 X 27 X 3,00 FLAT WASHER		02
71	0503034648	ADHESIVE LABEL		01
72	0531050102	CATALOGUE/MANUAL CANISTER ASSY		01
73	0503034372	ADHESIVE LABEL		02
74	0503034373	ADHESIVE LABEL		02
75	0503036144	MAXIMUM SPEED ADHESIVE LABEL		01

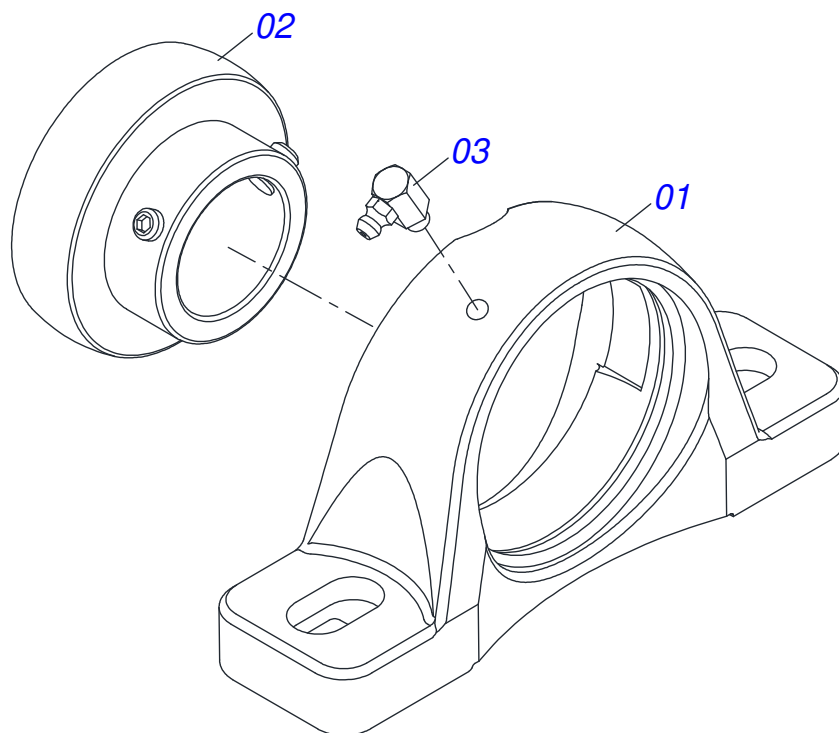


Item	Code	Description	See page	QT
01	0511063922	BUCKET		01
02	0501044308	AGRICULTURAL BEARING ASSY	4	04
03	0531014324	TOOTH COVER		01
04	0531014345	DRIVEN AXLE		01
05	0511041213	AGRICULTURAL BEARING	5	03
06	0531014346	MOTOR SHAFT		01
07	0503010233	5/8" X 2-1/2" BOLT		04
08	0501012140	FLAT WASHER		08
09	0503011445	SPRING WASHER		08
10	0503010013	5/8 NUT		06
11	0501067853	ROD STABILIZER		02
12	0511065278	DRIVE THE TRANSPORT TALISCA		01
13	0502040728	7Z GEAR		06
14	0503010361	SPRING PIN		08
15	0511016540	MAT COUPLING FLANGE		01
16	0511016541	REDUCTION COUPLING FLANGE		01
17	0503010849	3/8" X 1-1/2" BOLT		02
18	0503011443	3/8" SPRING WASHER		02
19	0503010026	3/8" NUT		02
20	0501047985	REDUCER	6	01
21	0503011167	M16 X 2 X 30 BOLT		04
22	0501053868	BELT TENSIONER ASSY	8	01
23	0511063668	REAR FIXER COVER		01
24	0503010238	BOLT 1/2 UNC X 1.3/4 CS G.2 ZN		04
25	0511017302	FLAT WASHER 13,50 X 32,50 X 3,0 ZN		04
26	0503011440	SPRING WASHER		04
27	0503010060	1/2 UNC G.5 ZN HEX NUT		04
28	0511063659	RIGHT FLOW DIVIDING		01
29	0511063660	LEFT FLOW DIVIDING		01
30	0531061725	REAR DEFLECTOR SUPPORT		01
31	0531015309	TENSIONER OPEN		01

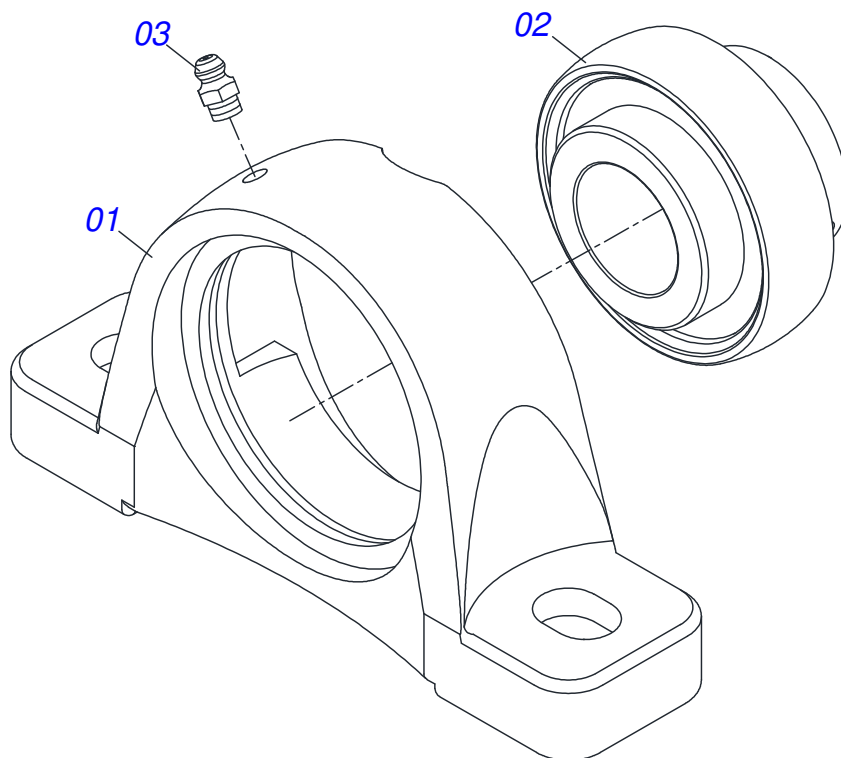


**DCCO 10500 MC STARTER WITH HYDRAULIC
BUCKET**

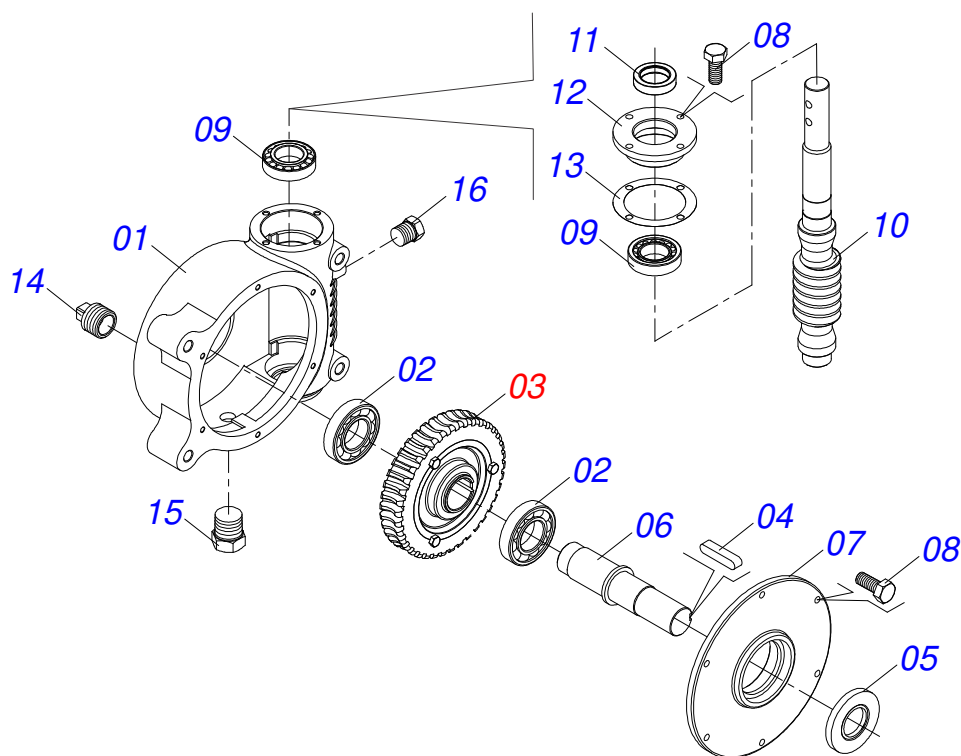
Item	Code	Description	See page	QT
32	0501067368	DIVISOR REGULATOR OPEN		02
33	0503010849	3/8" X 1-1/2" BOLT		01
34	0503010026	3/8" NUT		02
35	0501054013	RIGHT BEARRING SUPPORT DISC	9	02
36	0503010920	1/2 UNC X 1.1/2 C S G.5 ZN BOLT		08
37	0503011440	SPRING WASHER		08
38	0503010060	1/2 UNC G.5 ZN HEX NUT		08
39	0501053870	DISTRIBUTOR RIGHT DISC ASSY	11	01
40	0501053871	DISTRIBUTOR LEFT DISC ASSY	12	01
41	0501010536	KEYWAY SQUARE		01
42	0501010540	KEYWAY SQUARE		02
43	0502012936	1 C X 219 X 30 PULLEY		01
44	0511014052	FLAT WASHER		01
45	0503011446	SPRING WASHER		01
46	0503010355	7/16" X 1" BOLT		01
47	0531014338	BAMPER		01
48	0531050090	DRAWBOLT ASSY	13	01
49	0531050089	FULL DISK PROTECTOR	14	02
50	0503011267	5/8 UNC X 1.1/2 C S G.5 ZN BOLT		02
51	0503011445	SPRING WASHER		02
52	0503010013	5/8 NUT		02
53	0501010794	HIDR CHOCK REGULATOR		04
54	0511059105	SLUICE VALVE SUPPORT	15	01
55	0511059108	SLUICE VALVE COVER ASSY	17	01
56	0503010751	C3/8" X 1.1/4" HEX BOLT G.5		04
57	0501010984	10,50 X 27 X 3,00 FLAT WASHER		08
58	0503011443	3/8" SPRING WASHER		04
59	0503010026	3/8" NUT		04
60	0531014337	PROTECTION LARGER		02
61	0531014336	31.4"X3.1"X 0.1" PROTECTION SMALLER		01
62	0531014331	SLUICE VALVE FIXER COVER		01
63	0503010237	3/8" X 1" BOLT		11
64	0503011443	3/8" SPRING WASHER		11
65	0503010026	3/8" NUT		11
66	0503810920	1/2 UNC X 1.1/2 C S G.5 SCREW		02
67	0511017302	FLAT WASHER 13,50 X 32,50 X 3,0 ZN		10
68	0503011440	SPRING WASHER		10
69	0503010060	1/2 UNC G.5 ZN HEX NUT		10
70	0503010756	0.2" X 2.4" SPRING PIN		06
71	0503810740	1/2 UNC X 2 C S G.5 SCREW		08
72	0503011098	1/4" GREASE FITTING		04
73	0521068822	BEARING PROTECTION		03
74	0511817302	FLAT WASHER		02
75	0521068109	FIXER PROTECTION COVER		01



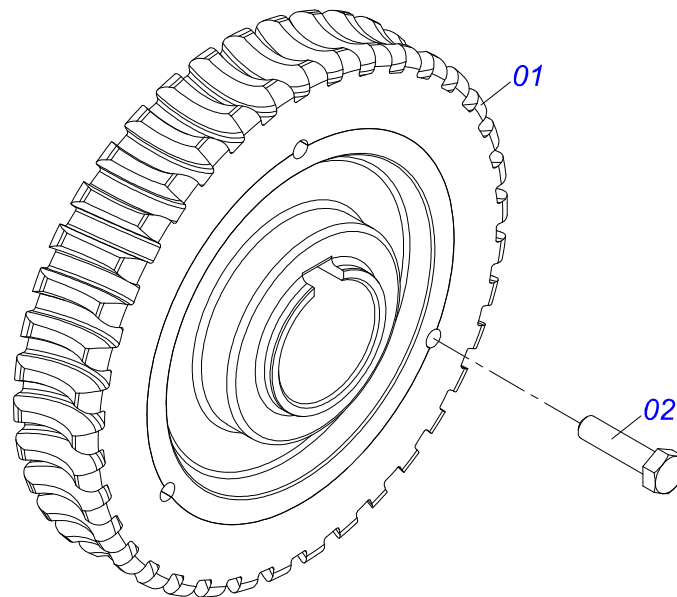
Item	Code	Description	See page	QT
01	0502011050	AGRICULTURAL HOUSING BEARING		01
02	0503011163	1108/UCR BEARING ASSY		01
03	0503010004	1890 GREASE FITTING		01



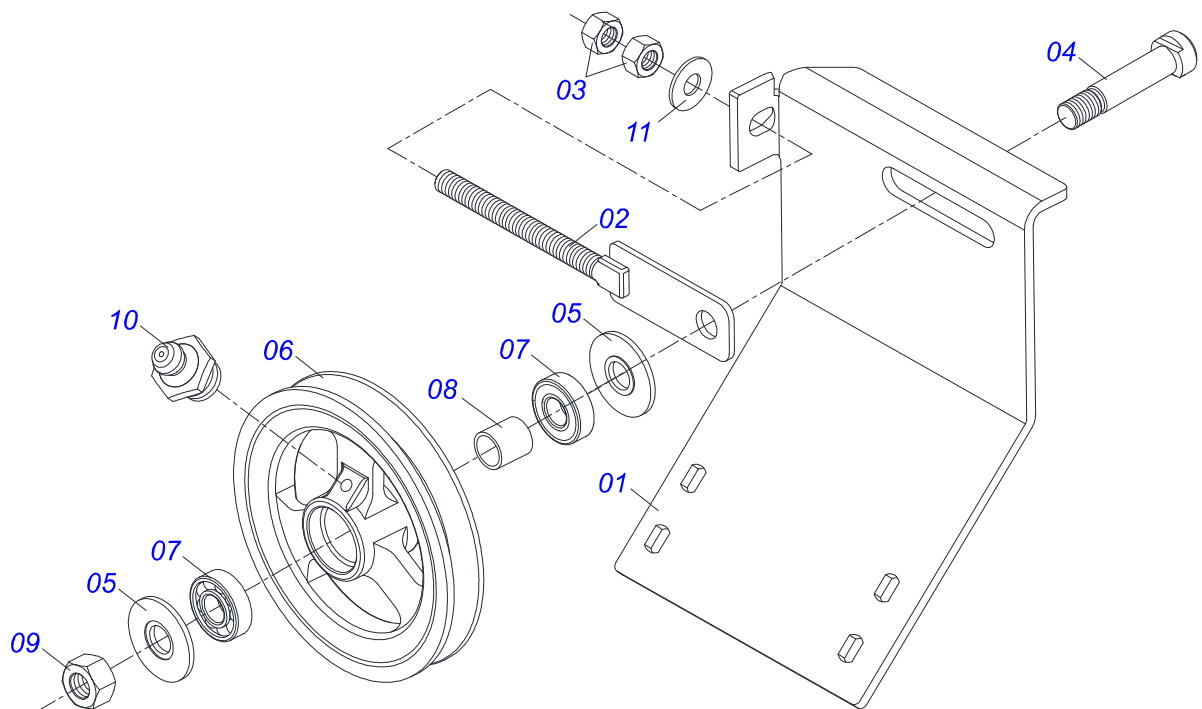
Item	Code	Description	See page	QT
01	0502011954	AGRICULTURAL HOUSING BEARING		01
02	0503011884	BALL BEARING		01
03	0503010691	1/4" GREASE FITTING		01



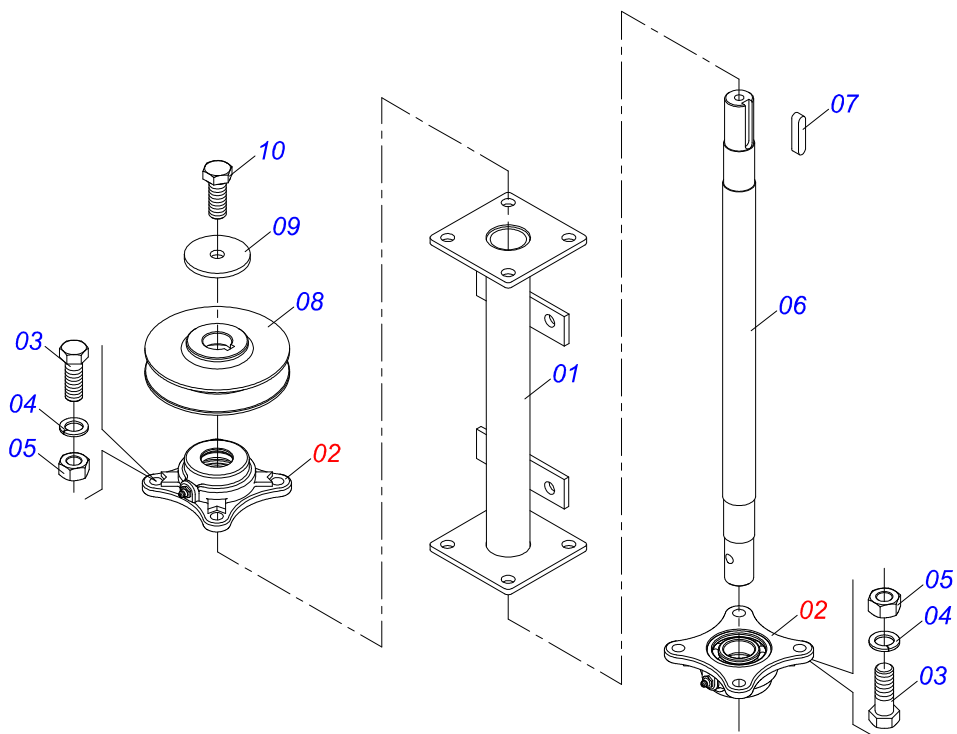
Item	Code	Description	See page	QT
01	0502011456	REDUCTION BOX		01
02	0503011095	6208 BALL BEARING		02
03	0501051774	38Z CROWN	7	01
04	0503011304	1/2" X 2.4" KEYWAY SQUARE		01
05	0503010818	02675-BRG SEAL		01
06	0521010996	AXLE		01
07	0502020556	LARGER COVER		01
08	0503010240	BOLT		10
09	0503010016	BEARING LM		02
10	0521010997	SCREW THEAD		01
11	0503011171	00912-BRG SEAL		01
12	0502011457	SMALLER COVER		01
13	0503030981	102 X 75,5 X 0,10 JOINT		01
14	0521011023	PLUG		01
15	0513010009	LEVEL DISPLAY		01
16	0503010856	OIL PLUG		01



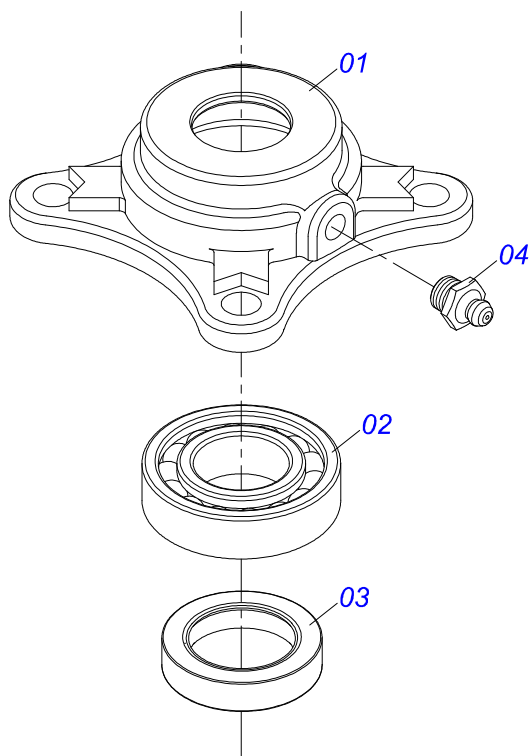
Item	Code	Description	See page	QT
01	0501110280	38Z CONICAL		01
02	0503010365	BOLT 5/16 UNC X 1.1/4 C S G.5 ZN		03



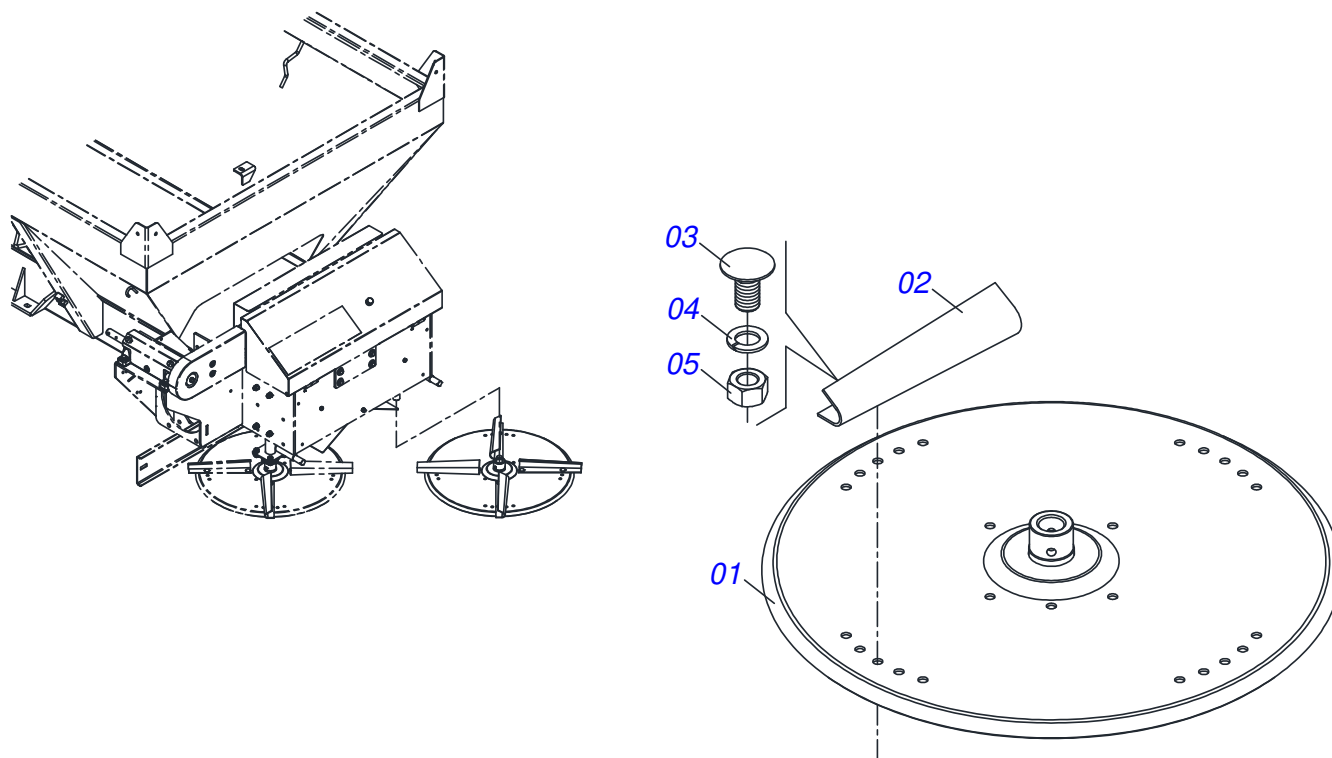
Item	Code	Description	See page	QT
01	0531014326	PULLEY BODY SUPPORT		01
02	0511064818	PULLEY TENSIONER		01
03	0503010013	5/8 NUT		02
04	0511012362	TIGHTENER AXLE PULLEY		01
05	0501019288	WASHER SPACER		02
06	0502011366	REEL 1C 8.3" X 1.6" PULLEY		01
07	0503010690	6204 BALL BEARING		02
08	0521010497	0.8" X 1.1" X 1.1" SPACER		01
09	0503010014	3/4" HEX NUT		01
10	0503010002	1800 GREASE FITTING		01
11	0501012140	FLAT WASHER		01



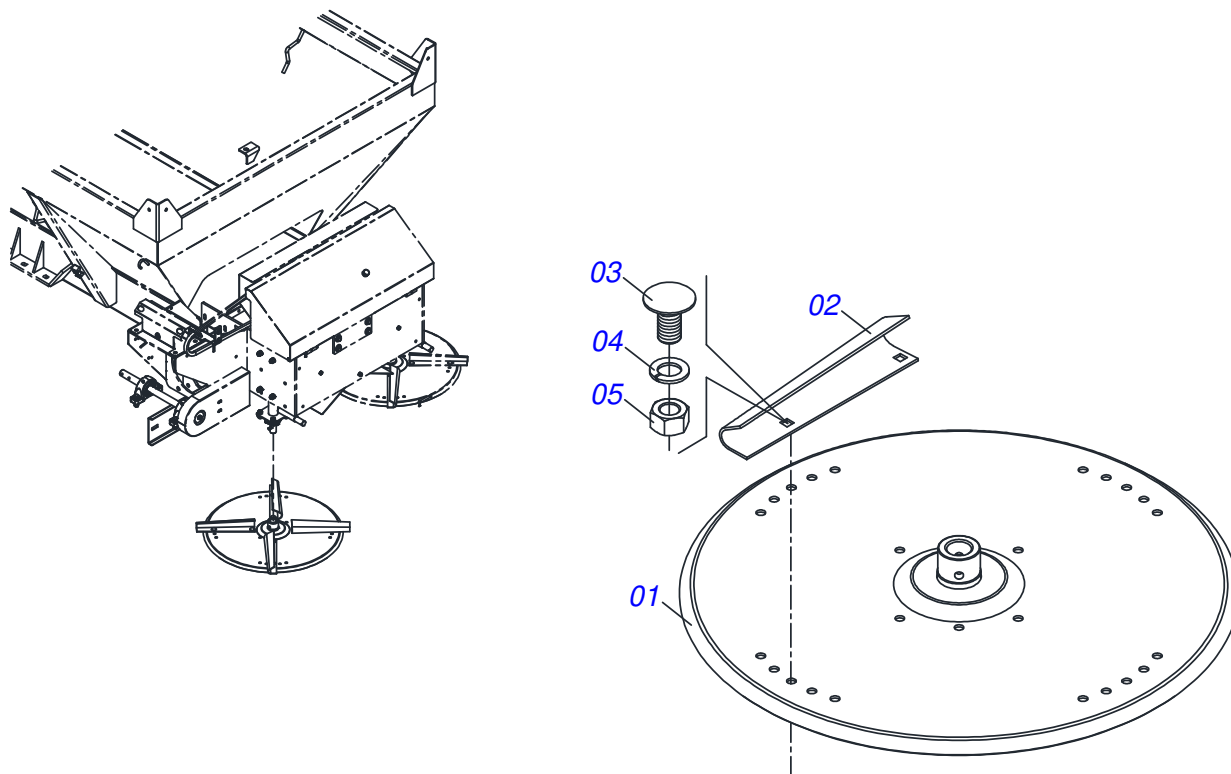
Item	Code	Description	See page	QT
01	0511063742	DISTRIBUTOR RIGHT/LEFT SUPPORT		01
02	0501048000	AGRICULTURAL BEARING	10	02
03	0503011135	BOLT		08
04	0503011446	SPRING WASHER		08
05	0503010244	7/16" NUT		08
06	0511016489	DISTRIBUTOR AXLE CONDUCTOR DISC		01
07	0501010536	KEYWAY SQUARE		01
08	0502011361	REEL 1C 5.5" X 1.1" PULLEY		01
09	0511014052	FLAT WASHER		01
10	0503010237	3/8" X 1" BOLT		01



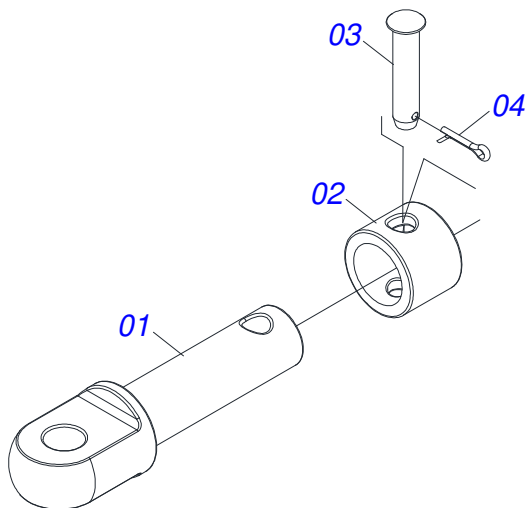
Item	Code	Description	See page	QT
01	0502011442	AGRICULTURAL HOUSING BEARING		01
02	0503010276	6206 BALL BEARING		01
03	0503011865	SEAL		01
04	0503010002	1800 GREASE FITTING		01



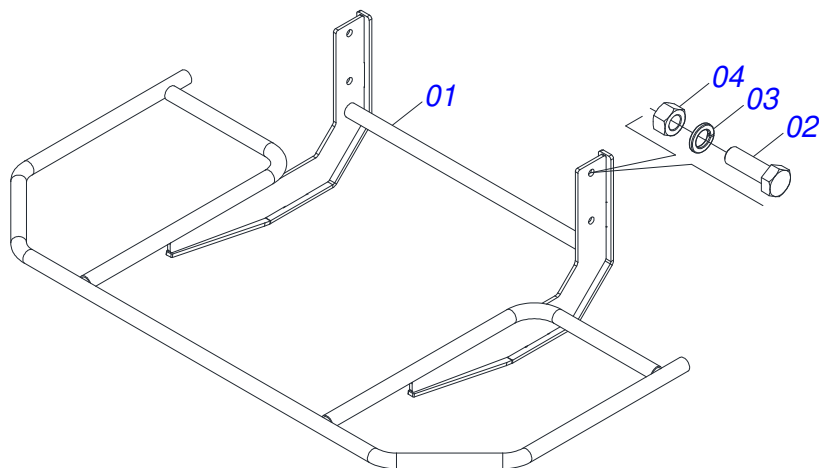
Item	Code	Description	See page	QT
01	0511063411	DISTRIBUTOR DISC		01
02	0531014343	RH FLIP		04
03	0503013029	3/8" X 3/4" BOLT		08
04	0503011443	3/8" SPRING WASHER		08
05	0503010026	3/8" NUT		08



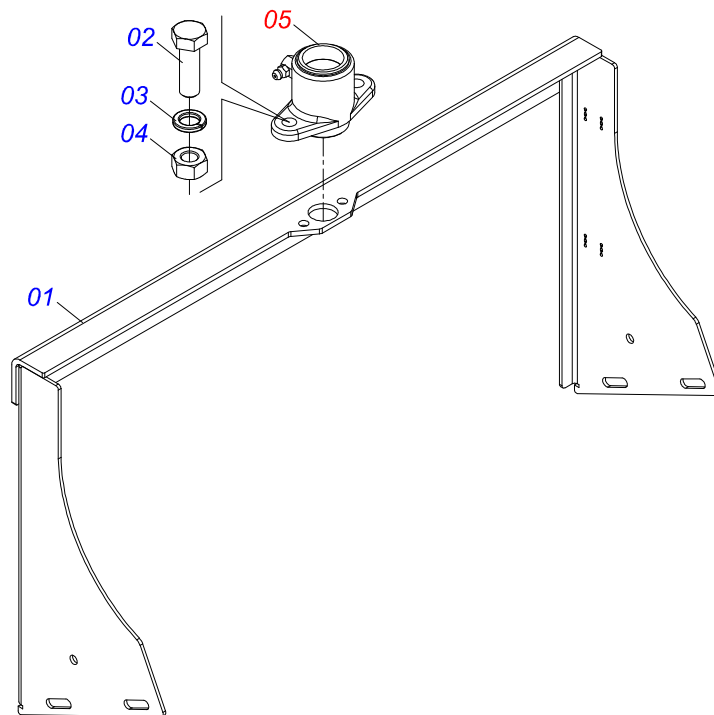
Item	Code	Description	See page	QT
01	0511063411	DISTRIBUTOR DISC		01
02	0531014344	LH FLIP		04
03	0503013029	3/8" X 3/4" BOLT		08
04	0503011443	3/8" SPRING WASHER		08
05	0503010026	3/8" NUT		08



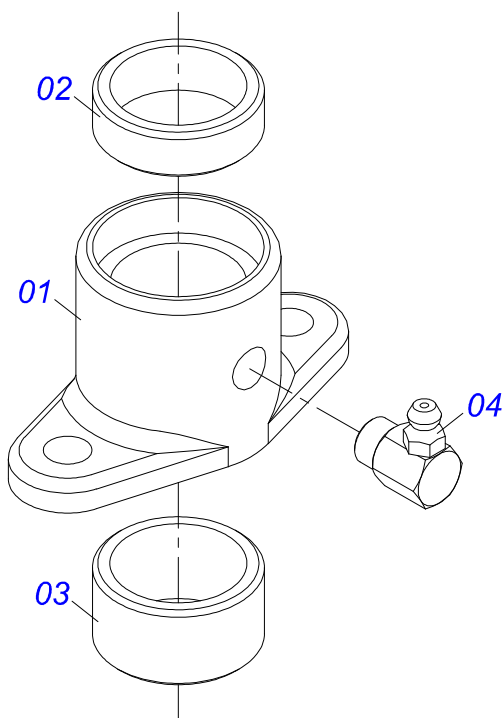
Item	Code	Description	See page	QT
01	1902040223	PIN HITCH		01
02	1902040327	LOCK SLEEVE		01
03	0521010579	COUPLING SHAFT		01
04	0503010571	1/4" X 1.1/2 COTTERPIN		01



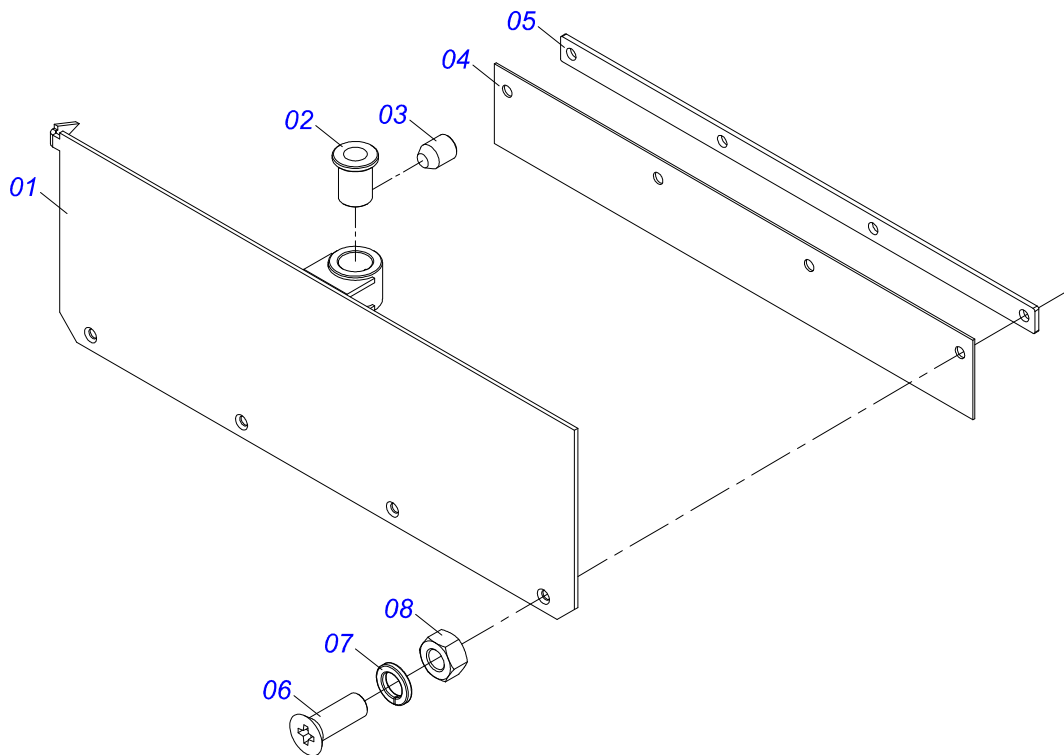
Item	Code	Description	See page	QT
01	0531061724	DISK PROTECTOR		01
02	0503010920	1/2 UNC X 1.1/2 C S G.5 ZN BOLT		04
03	0503011440	SPRING WASHER		04
04	0503010060	1/2 UNC G.5 ZN HEX NUT		04



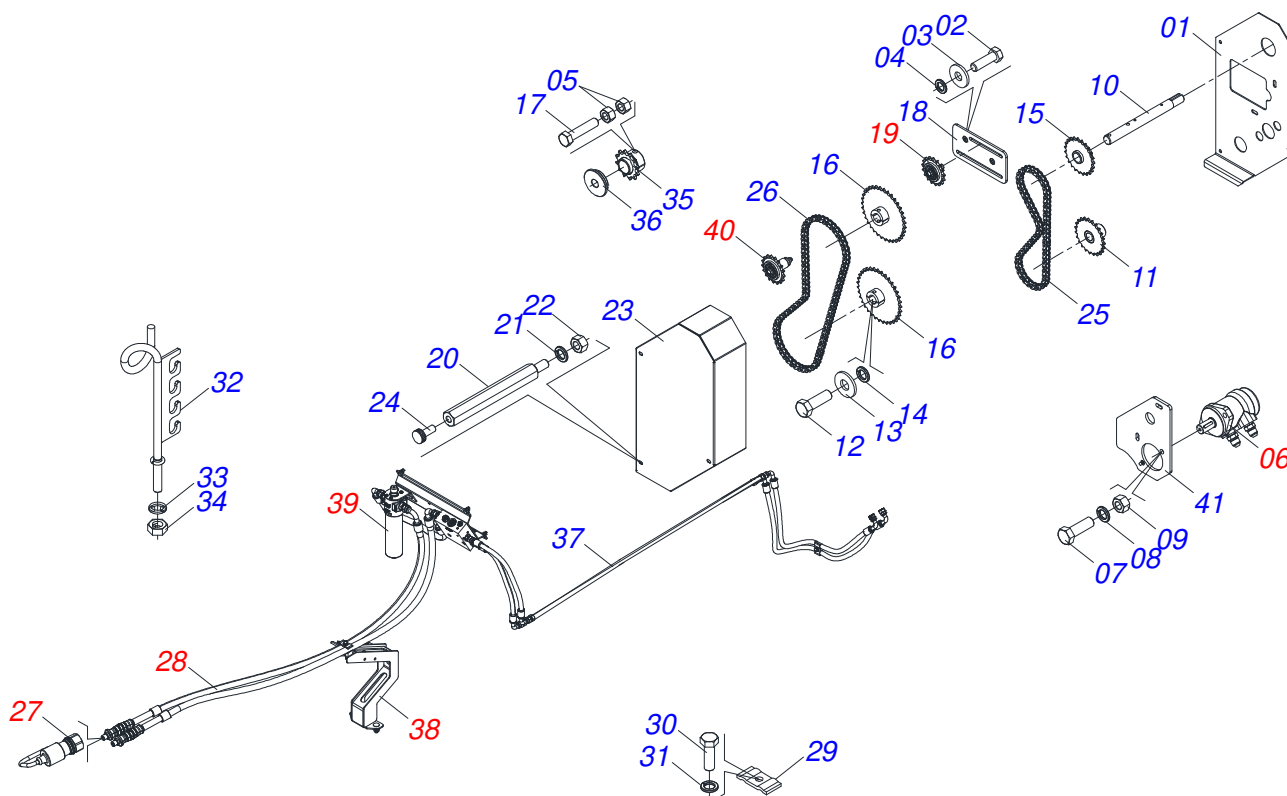
Item	Code	Description	See page	QT
01	0511063410	SLUICE VALVE SUPPORT		01
02	0503010363	BOLT 5/16 UNC X 1 C S G.2 ZN		02
03	0503011444	SPRING WASHER		02
04	0503010337	5/16" NUT		02
05	0511059094	SHAFT BEARING THREADED	16	01



Item	Code	Description	See page	QT
01	0502010581	ROD BEARING		01
02	0521010458	SLEEVE		01
03	0521010457	SLEEVE		01
04	0503010004	1890 GREASE FITTING		01



Item	Code	Description	See page	QT
01	0511063413	SLUICE VALVE COVER		01
02	0501019831	ADJUSTING NUT		01
03	0503011148	3/8" X 1/2" BOLT		01
04	0531014336	31.4"X3.1"X 0.1" PROTECTION SMALLER		01
05	0531014331	SLUICE VALVE FIXER COVER		01
06	0503010546	5/16" X 7/8" BOLT		05
07	0503011444	SPRING WASHER		05
08	0503010337	5/16" NUT		05

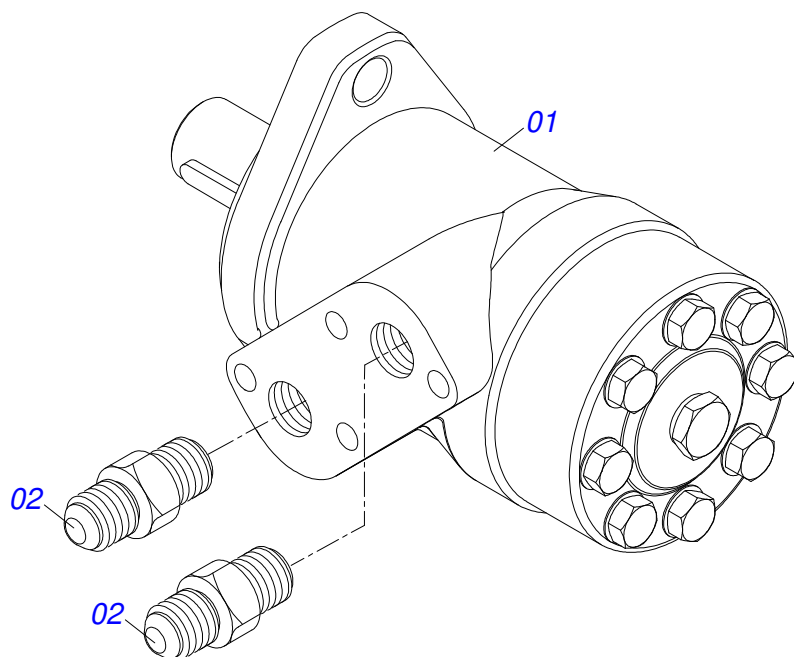


Item	Code	Description	See page	QT
01	0571015456	PROTECTION REAR		01
02	0503010849	3/8" X 1-1/2" BOLT		04
03	0501010984	10,50 X 27 X 3,00 FLAT WASHER		07
04	0503011443	3/8" SPRING WASHER		05
05	0503010026	3/8" NUT		09
06	0511053588	MOTOR HYDRAULIC OMP 80 WITH NIPPLE 7/8 19 NIPPE 7/8		01
07	0503010920	1/2 UNC X 1.1/2 C S G.5 ZN BOLT		02
08	0503011440	SPRING WASHER		02
09	0503010060	1/2 UNC G.5 ZN HEX NUT		02
10	0571015190	DRIVE AXLE		01
11	0521064566	GEAR HIDRAULIC MOTOR		01
12	0503011257	M 8 X 1,25 X 30 BOLT		01
13	0501010694	FLAT WASHER		01
14	0503011444	SPRING WASHER		01
15	0521063041	GEAR 23Z		01
16	0501069020	35Z GEAR		02
17	0503011141	3/8" X 2-3/4" BOLT		04
18	0521064691	SUPPORT TENSIONER		01
19	0511054496	TENSIONER SMALEER ASSY	20	01
20	0571015189	PRISONER 3/8"		03
21	0503010025	3/8 SPRING WASHER		03
22	0503010026	3/8" NUT		03
23	0571015457	CHAIN CAP		01
24	0503010386	CABLE		03
25	0503013061	50-1 CHAIN X 64 LINK + REDUCTION		01
26	0503013003	50-1 CHAIN X 79 LINK + REDUCTION + MENDING		01
27	0501053834	MALE QUICK COUPLER	21	02
28	0521058120	SIMPLE HYDRAULIC ACTUATION HOSE SET	22	01
29	0531011180	UPPER BODY CLIP		05
30	0503012555	SCREW 7/16 UNC X 2 CS RT G.7 ZN		05
31	0503010180	7/16" SPRING WASHER		05

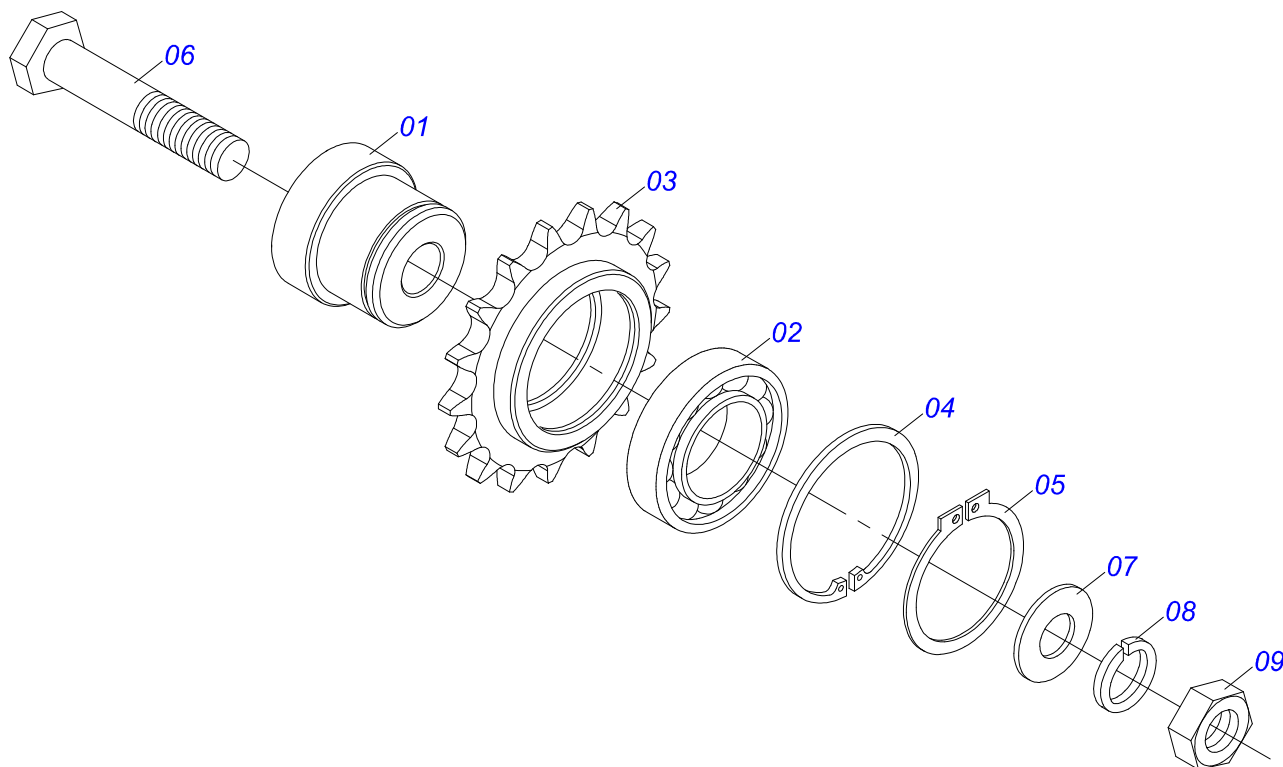


**DCCO 10500 MC STARTER WITH HYDRAULIC
SIMPLE HYDRAULIC DRIVE ASSEMBLY**

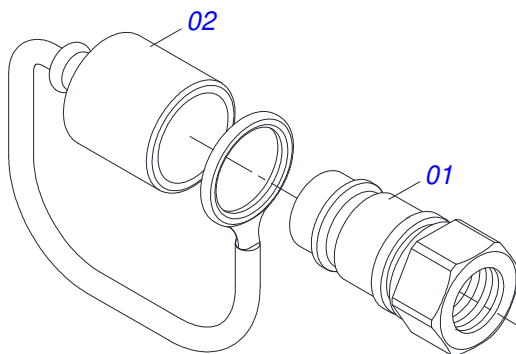
Item	Code	Description	See page	QT
32	0501060409	HOSE SOPPORT ASSY		01
33	0503010023	3/4" SPRING WASHER		01
34	0503010014	3/4" HEX NUT		01
35	0501069017	12Z GEAR		01
36	0581011125	LOCK WASHER		01
37	0531060946	OIL DUCT 3000 R.7/8 UNF 14 FPP		02
38	0521058094	SUPPORT HOSE	23	01
39	0521057951	SUPPORT SIMPLE HYDRAULIC DRIVE	24	01
40	0511054497	TENSIONER LARGER ASSY	28	01
41	0571015182	HIDRAULIC MOTOR SUPPORT		01



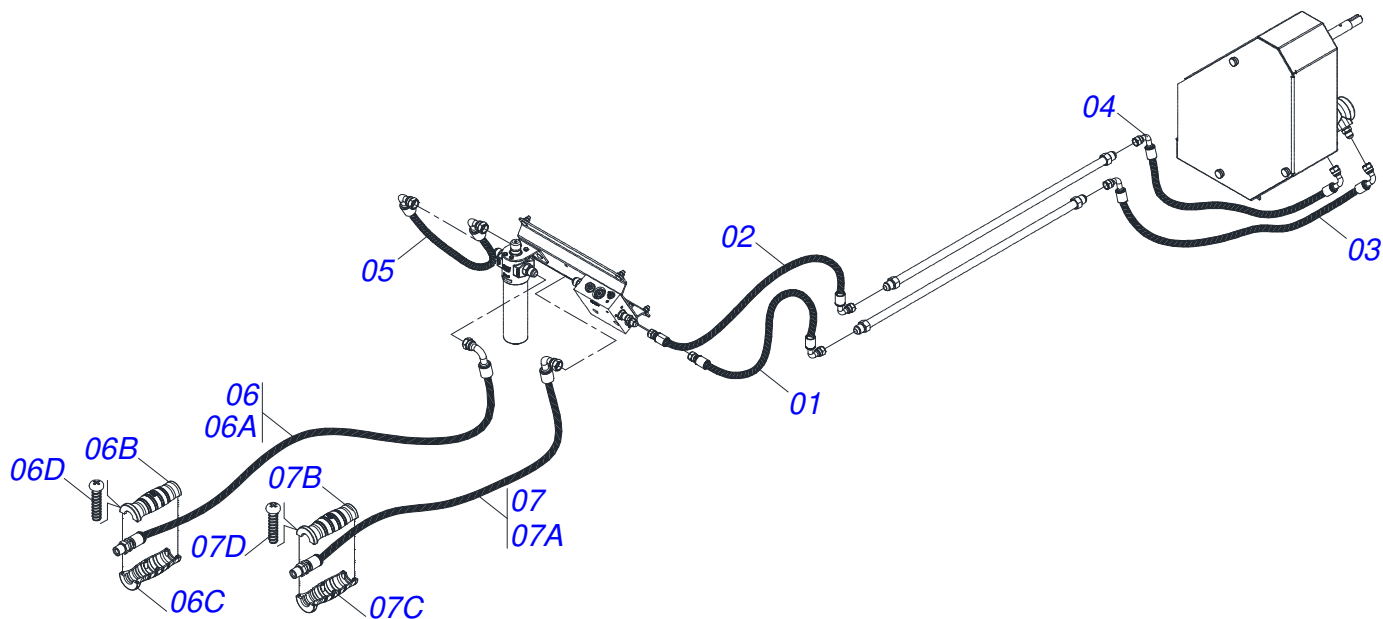
Item	Code	Description	See page	QT
01	0503016055	PARKER OMP 80 ISOBUS HYDRAULIC MOTOR		01
02	0511014065	7/8" NF X R1/2NPT X 52 NIPPLE		02



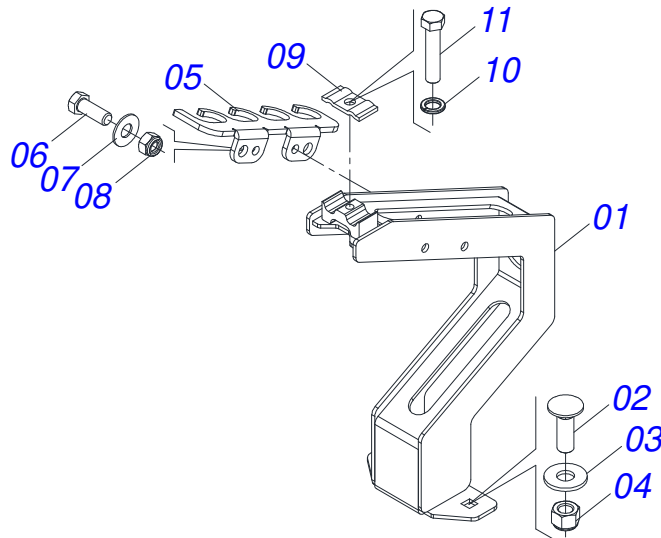
Item	Code	Description	See page	QT
01	0571015185	AXLE TIGHTENER 26		01
02	0503011410	ROLLER BEARING		01
03	0511061836	17Z GEAR		01
04	0503011105	SEAL RING		01
05	0503010406	501025 CLAMPING RING (FOR AXLE)		01
06	0501010096	3/8" X 2" BOLT		01
07	0501010984	10,50 X 27 X 3,00 FLAT WASHER		01
08	0503010025	3/8 SPRING WASHER		01
09	0503010026	3/8" NUT		01



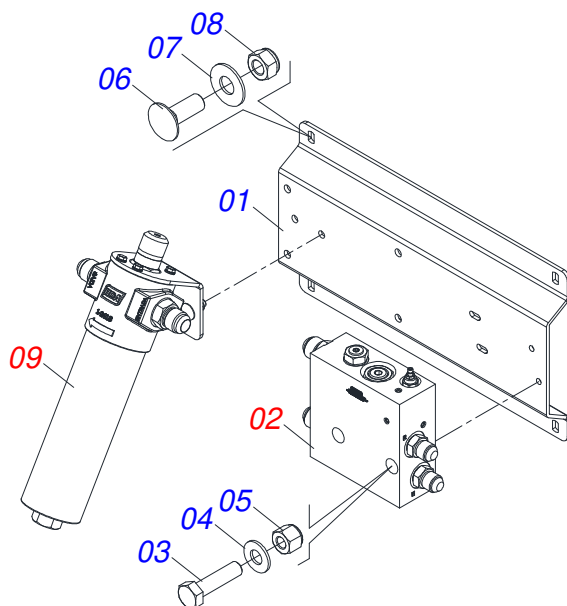
Item	Code	Description	See page	QT
01	0503011627	MALE QUICK COUPLER AGR 1/2 NPT		01
02	0503011882	MALE QUICK COUPLER CAP		01



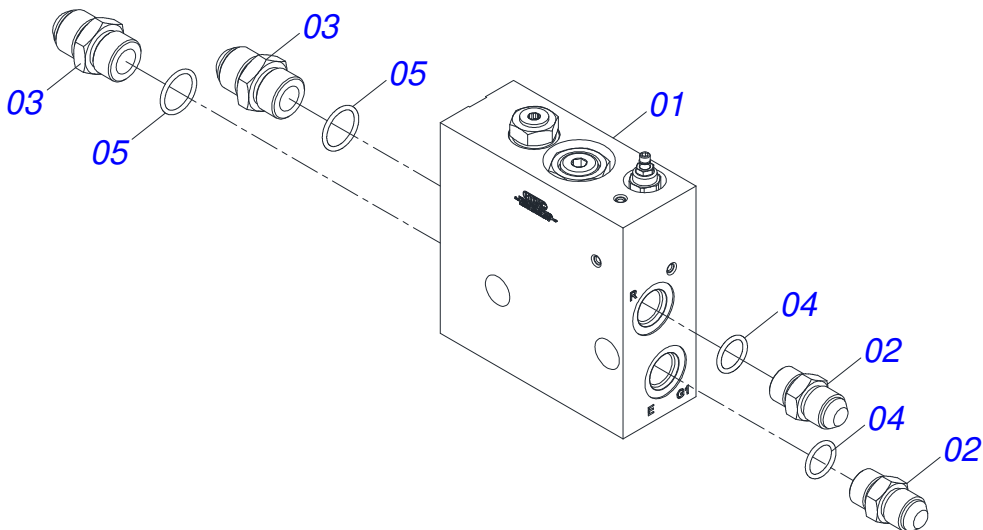
Item	Code	Description	See page	QT
01	0501081235	1/2 X 650 TR- TC HOSE		01
02	0501080218	1/2 X 750 HOSE		01
03	0501082303	HOSE 1/2 X 930 TC-TC 90G		01
04	0501082304	1/2 X 1000 TR-TC HOSE		01
05	0501081365	HOSE 3/4 X 680 TC-TC 180G		01
06	0521057977	HOSE 3/4 X 2100 TC-TM AMARILLO/AZUL		01
06A	0501082295	HOSE 3/4 X 2100 TC - TM R.1/2NPT		01
06B	0503034493	HYDRAULIC HOSE DEPTH (YELLOW)		01
06C	0503034494	HYDRAULIC HOSE GRIP (BLUE)		01
06D	0503018952	PLASTIC BOLT		06
07	0521057976	HOSE 3/4 X 2100 TC-TM YELLOW/RED		01
07A	0501082295	HOSE 3/4 X 2100 TC - TM R.1/2NPT		01
07B	0503034493	HYDRAULIC HOSE DEPTH (YELLOW)		01
07C	0503034495	HYDRAULIC HOSE GRIP (RED)		01
07D	0503018952	PLASTIC BOLT		06



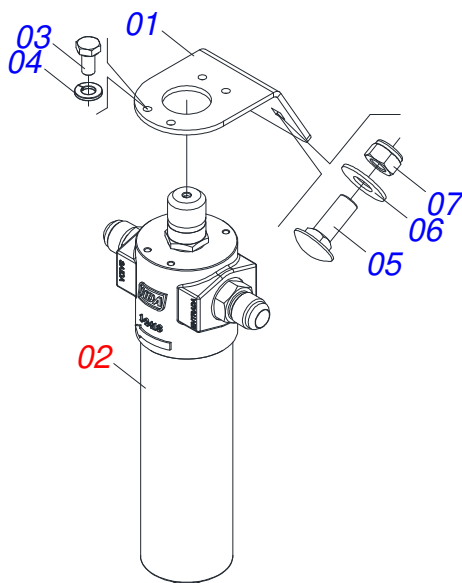
Item	Code	Description	See page	QT
01	0531060944	HOSE HOLDER ASSY		01
02	0503014378	1/2" X 1-1/2" BOLT		02
03	0511017302	FLAT WASHER 13,50 X 32,50 X 3,0 ZN		02
04	0503010589	1/2" UNC SELF ADJUSTING NUT		02
05	0591018556	HOSE FIXER ASSY		01
06	0503011087	3/8" X 1" BOLT		02
07	0501013518	FLAT WASHER		02
08	0503013357	3/8 SELF-ADJUSTING NUT		02
09	0531011180	UPPER BODY CLIP		01
10	0503010180	7/16" SPRING WASHER		01
11	0503011173	7/16" X 2" BOLT		01



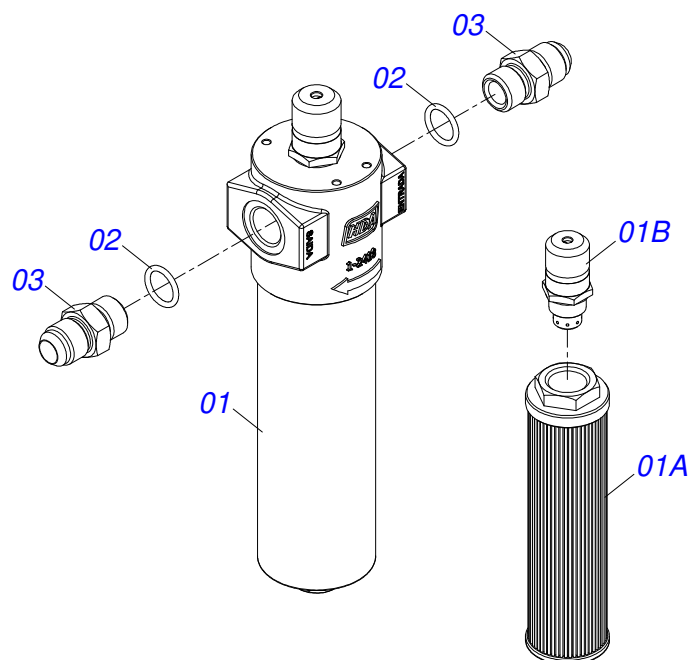
Item	Code	Description	See page	QT
01	0591013644	SUPPORT SET HIDRAULICO		01
02	0521057953	BLOCK HYDAC	25	01
03	0503011766	5/16" X 2-1/2" BOLT		02
04	0501010694	FLAT WASHER		02
05	0503013759	NUT		02
06	0501011643	3/8 X 1" BOLT		04
07	0501013518	FLAT WASHER		04
08	0503013357	3/8 SELF-ADJUSTING NUT		04
09	0521057952	FILTER PRES PARKER HDA FP20 10FV 06B LV6	26	01



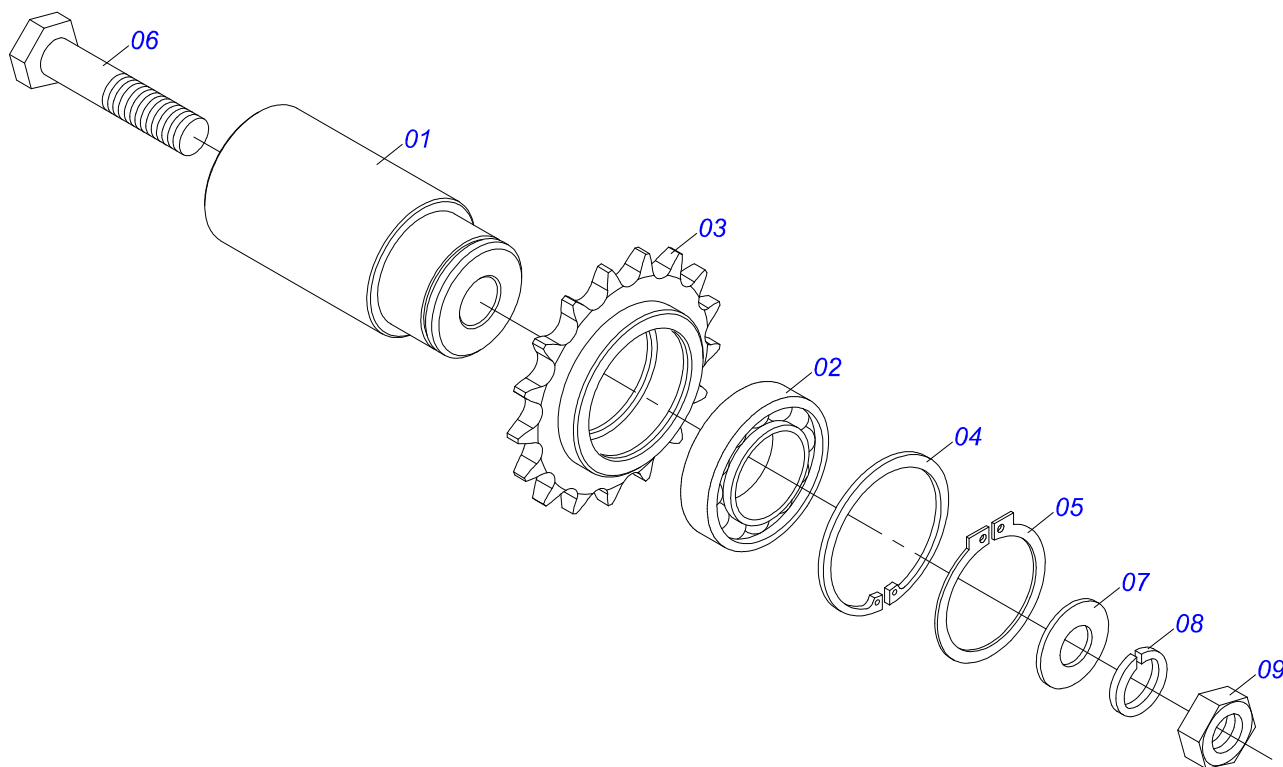
Item	Code	Description	See page	QT
01	0503063271	BLOCK		01
02	0501010590	NIPPLE		02
03	0501010589	R. 1.1/16UN SEXT 1.1/4 X 52 NIPPLE		02
04	0503010045	O'RING		02
05	0503011109	2-119 N 3006-9B O'RING		02



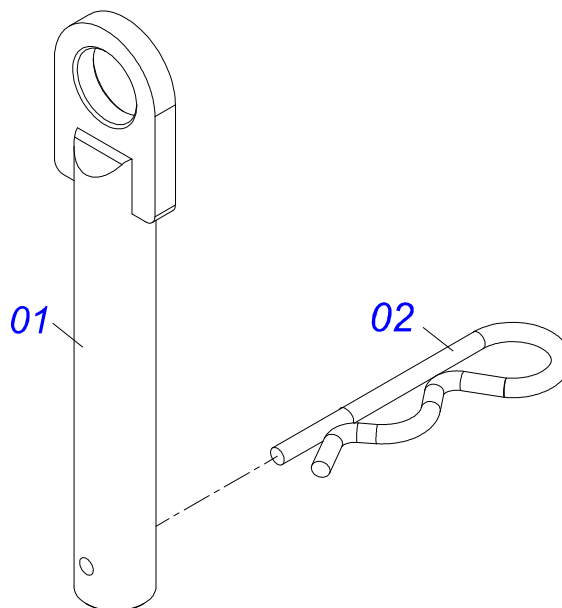
Item	Code	Description	See page	QT
01	0591013645	PRESSURE FILTER SUPPORT		01
02	0521057599	FILTER PRESS PARKER HDA FP20 10FV 06B LV6 27 WITH NIPPLE		01
03	0503011812	BOLT M6 X 1 X 12 CS 8.8 ZN		04
04	0503010143	1/4" SPRING WASHER		04
05	0501011643	3/8 X 1" BOLT		02
06	0501013518	FLAT WASHER		02
07	0503013357	3/8 SELF-ADJUSTING NUT		02



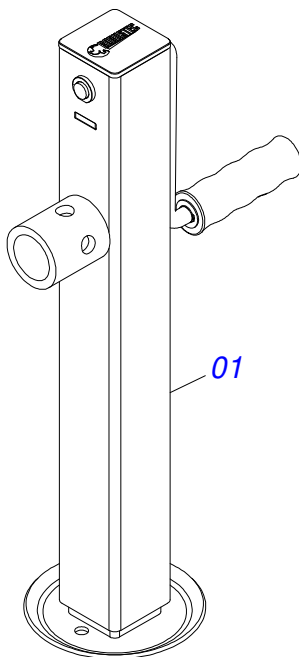
Item	Code	Description	See page	QT
01	0503063077	PRESSURE FILTER PARKER HDA FP20 10FV 06B LV6		01
01A	0503035357	FILTERING ELEMENT FOR PRESSURE FILTER		01
01B	0503019963	DIRT PRESSURE LINE INDICATOR		01
02	0503010605	O'RING		02
03	0591012696	NIPPLE 3/4 BSP X 1.1/16 UNF		02



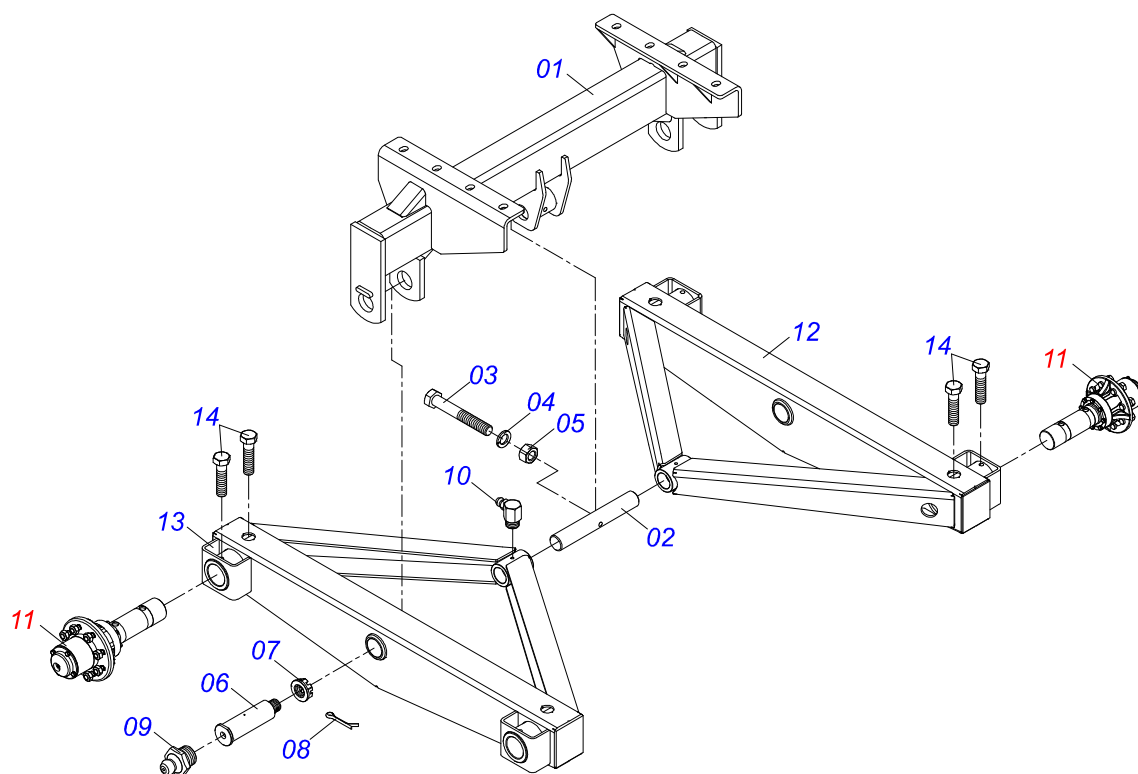
Item	Code	Description	See page	QT
01	0571015186	AXLE TIGHTENER 26		01
02	0503011410	ROLLER BEARING		01
03	0511061836	17Z GEAR		01
04	0503011105	SEAL RING		01
05	0503010406	501025 CLAMPING RING (FOR AXLE)		01
06	0503010718	3/8" X 3-1/2" BOLT		01
07	0501010984	10,50 X 27 X 3,00 FLAT WASHER		01
08	0503010025	3/8 SPRING WASHER		01
09	0503010026	3/8" NUT		01



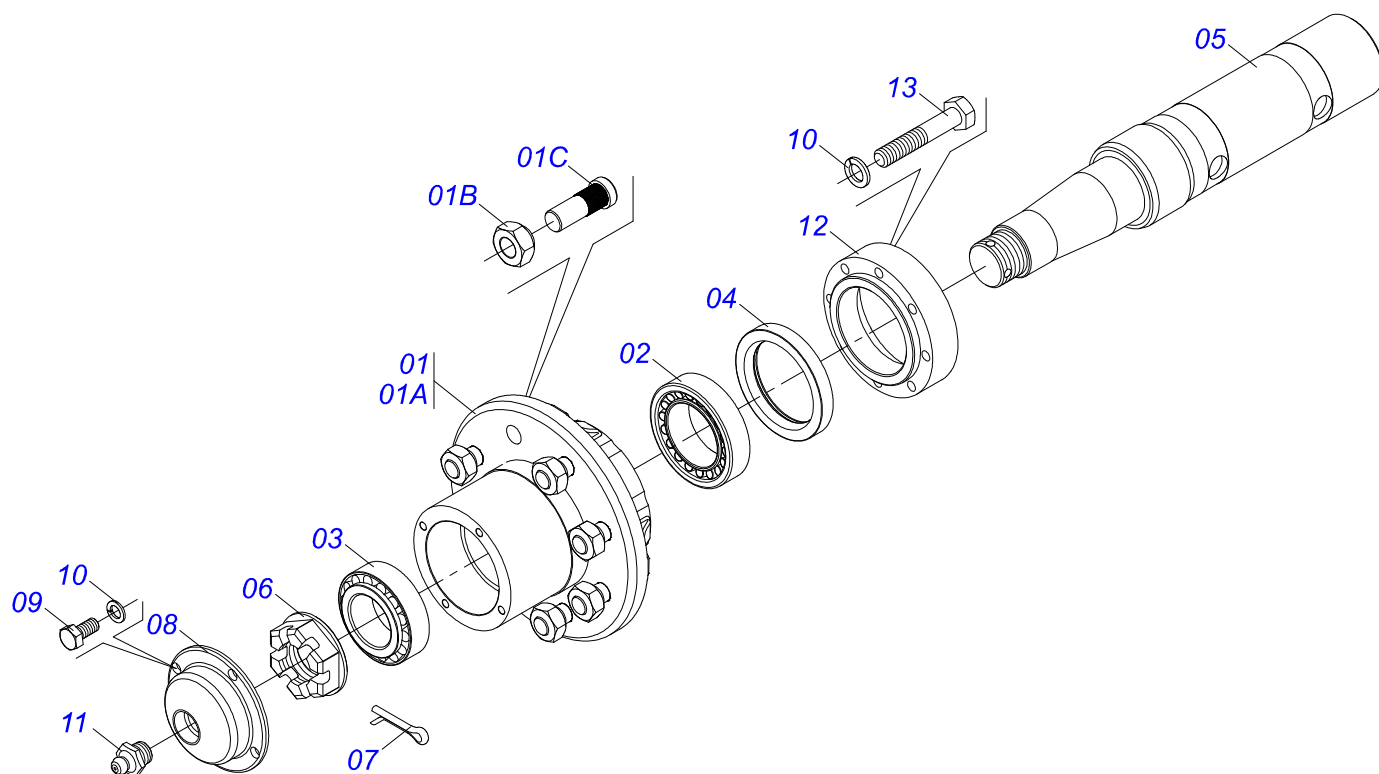
Item	Code	Description	See page	QT
01	0501068989	COUPLING SHAFT		01
03	0503031035	HITCH PIN CLIP		01



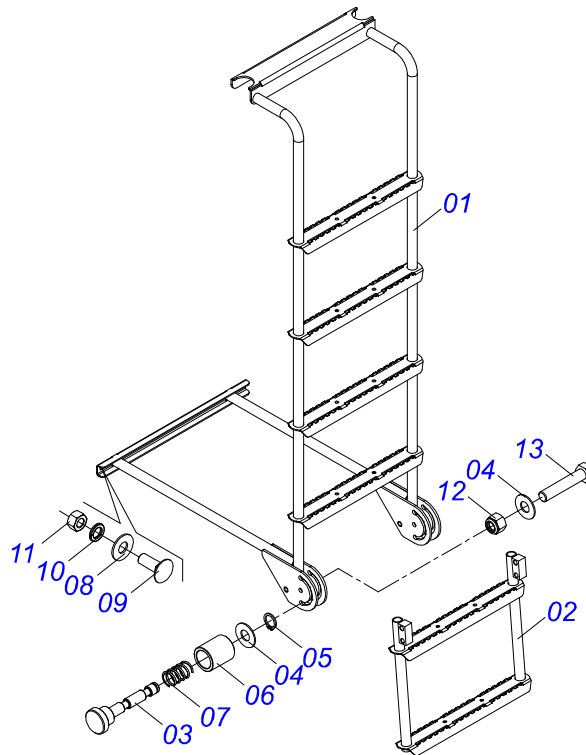
Item	Code	Description	See page	QT
01	0503062157	DRAWBAR JACK	30	01



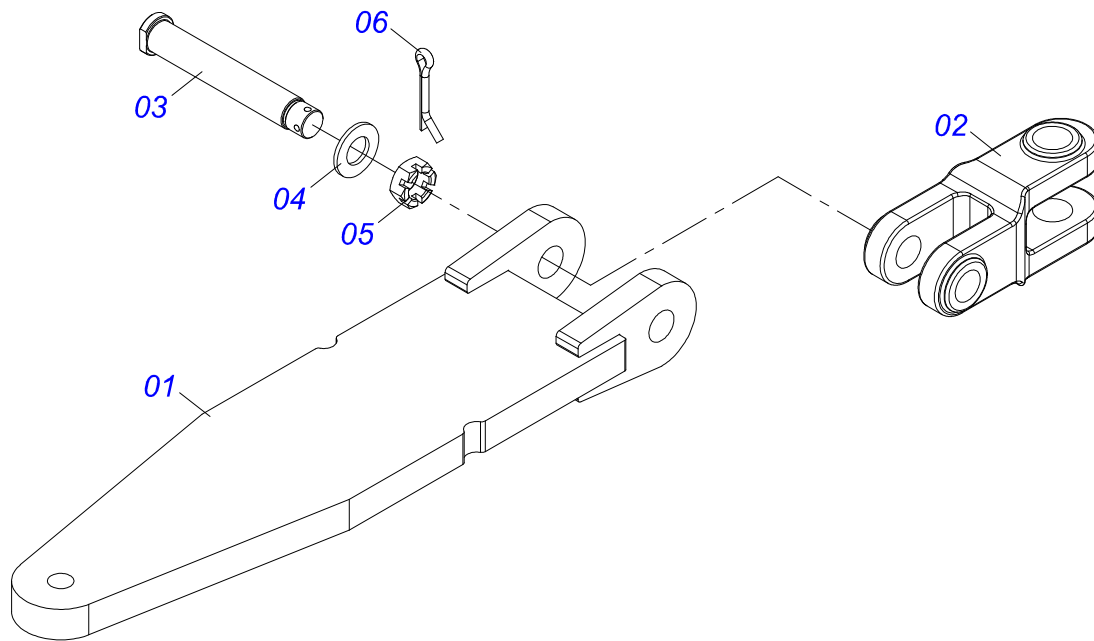
Item	Code	Description	See page	QT
01	0511063936	ROCKER ARM FIXER SUPPORT		01
02	0531016579	CENTRAL AXLE		01
03	0503010547	1/2" X 4" BOLT		01
04	0503011440	SPRING WASHER		01
05	0503010060	1/2 UNC G.5 ZN HEX NUT		01
06	0521069954	COUPLING SHAFT 60,10 X 183		02
07	0501011301	1.1/2 UNC 6FPP 2.5/16 NUT		02
08	0503010010	1/4" X 2.1/2" COTTERPIN		02
09	0503010002	1800 GREASE FITTING		02
10	0503010004	1890 GREASE FITTING		02
11	0501056347	CARRYING WHEELS WITHOUT TIRE	32	04
12	0511066145	RIGHT ROCKER ARM		01
13	0511066146	LEFT ROCKER ARM		01
14	0503010233	5/8" X 2-1/2" BOLT		08



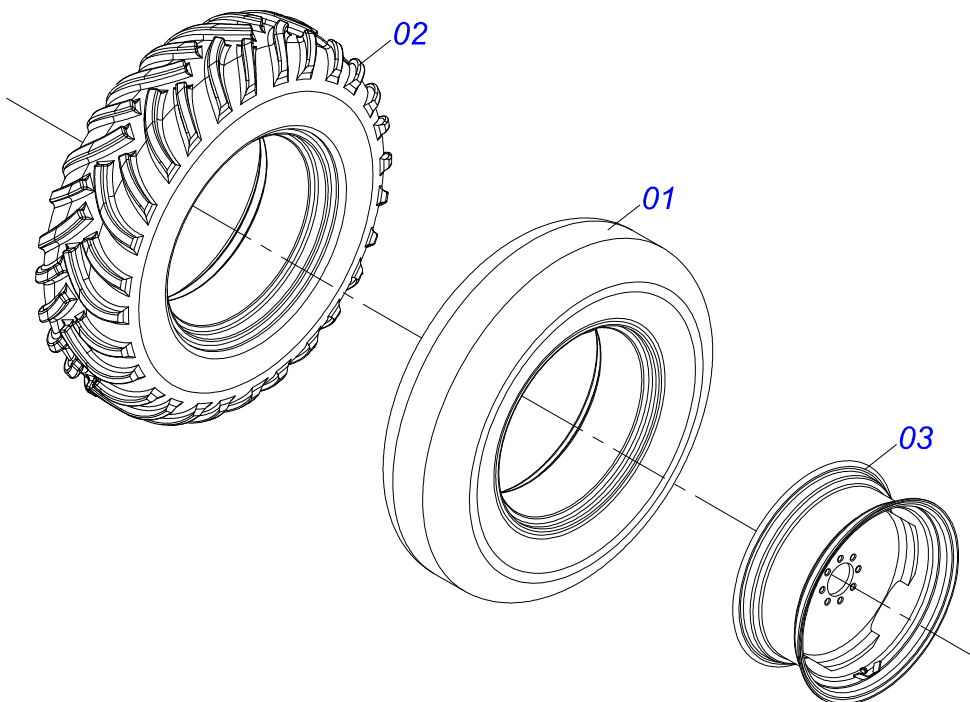
Item	Code	Description	See page	QT
01	0501110763	CARRYING WHEEL HUB		01
01A	0502012318	CARRYING WHEEL HUB		01
01B	0503010064	5/8 UNF CONIC NUT		08
01C	0501011052	5/8" X 1-3/4" BOLT		08
02	0503013453	SKF 33011 ROLLER BEARING		01
03	0503013454	SKF 33109 ROLLER BEARING		01
04	0503010086	SEAL 0009B-B		01
05	0541015586	WHEEL AXLE		01
06	0501010630	1.1/2" CASTLE NUT		01
07	0503010523	1/4" X 2" COTTERPIN		01
08	0502020592	COVER		01
09	0503010295	SCREW 5/16 UNC X 5/8 CS G.2 ZN		04
10	0503011444	SPRING WASHER		12
11	0503010002	1800 GREASE FITTING		01
12	0502012175	SEAL FLANGE		01
13	0503010397	5/16" X 1-3/4" BOLT		08



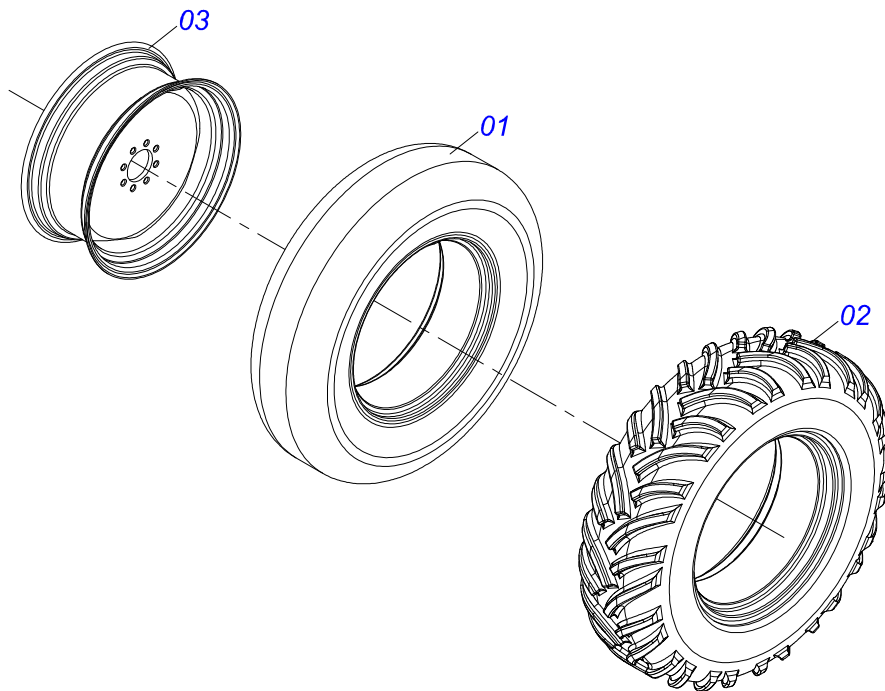
Item	Code	Description	See page	QT
01	0521067129	LADDER		01
02	0521067130	LADDER EXTENDER		01
03	0571019930	EXTENSION LOCK AXLE		01
04	0501013519	FLAT WASHER		03
05	0503010291	501012 CLAMPING RING (FOR AXLE)		01
06	0571019931	GUIDE GLOVE		01
07	0503032035	0.7" X 1.2" X 1" COMPRESSION SPRING		01
08	0501013518	FLAT WASHER		02
09	0501011643	3/8 X 1" BOLT		02
10	0503010025	3/8 SPRING WASHER		02
11	0503010026	3/8" NUT		02
12	0503010589	1/2" UNC SELF ADJUSTING NUT		02
13	0503010734	1/2" X 2-1/2" BOLT		02



Item	Code	Description	See page	QT
01	0511066154	SEMI COUPLING		01
02	1902040330	TRACTOR HITCH		01
03	0541014957	PIN DRAG		01
04	0501017779	32 X 60 X 4.75 FLAT WASHER		01
05	0503011052	1.1/4" X 0.77" CASTLE NUT		01
06	0503010010	1/4" X 2.1/2" COTTERPIN		01



Item	Code	Description	See page	QT
01	0503013040	0.5" X 1" VALVE STEM		01
02	0503013039	0.5" X 1" -10 CANVAS TIRE		01
03	0511063924	DCCO 10500 WHEEL		01



Item	Code	Description	See page	QT
01	0503013040	0.5" X 1" VALVE STEM		01
02	0503013039	0.5" X 1" -10 CANVAS TIRE		01
03	0511063924	DCCO 10500 WHEEL		01



MARCHESAN

Technical Publications | Elaboration and Revision

JOÃO VIRGINIO ROCHA

www.marchesan.com.br

