

CHASER BIN

DCCO 2500 MC STARTER WITH HYDRAULIC

Code: 0501091665
Series: S-0114
Revision: 00
Date Revision: FEVEREIRO/2016

PARTS CATALOGUE



MARCHESAN



PRODUCTS

Code	Description
0109090196	DCCO 2500 MC C/ ACIONAM HIDR
0109090338	DCCO 2500 MC C/ACIONAM HIDR PN 11L15 S-0114

ATTENTION: IMPORTANT

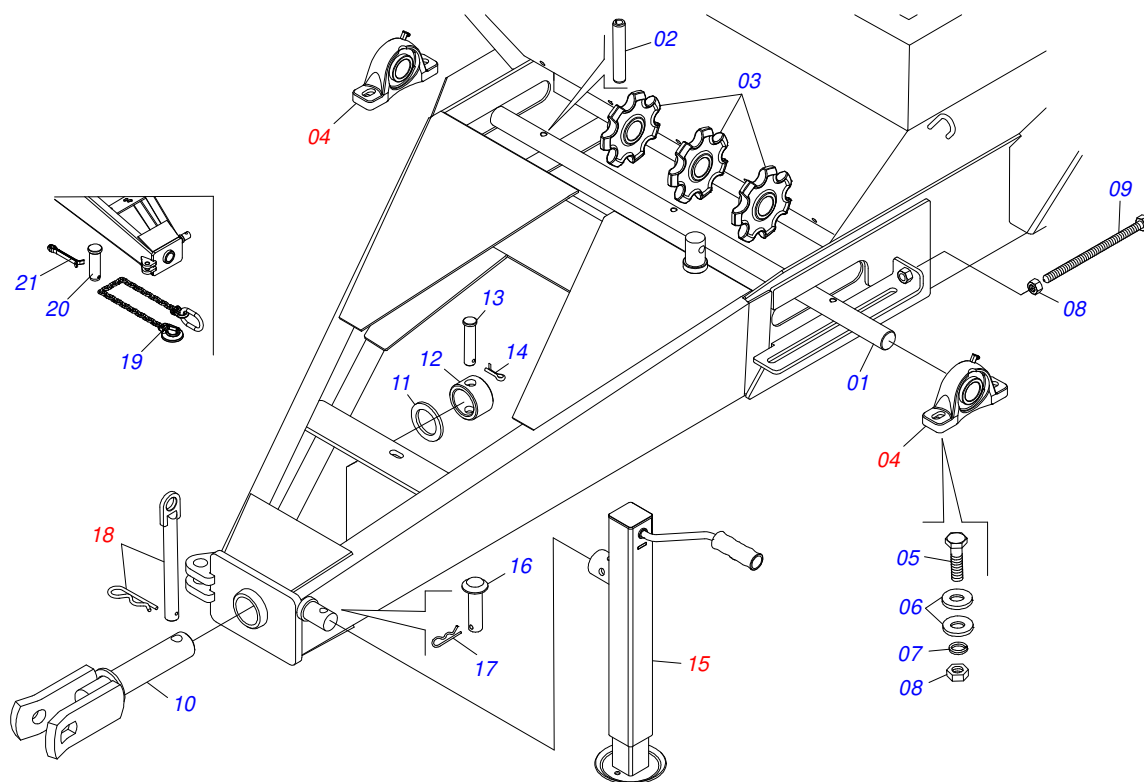
Marchesan S.A. reserves the right to improve and/or modify the technical features of its products, without obligation to do the same with those products already sold and without prior knowledge of the dealer or the consumer. The photos are only illustrative.



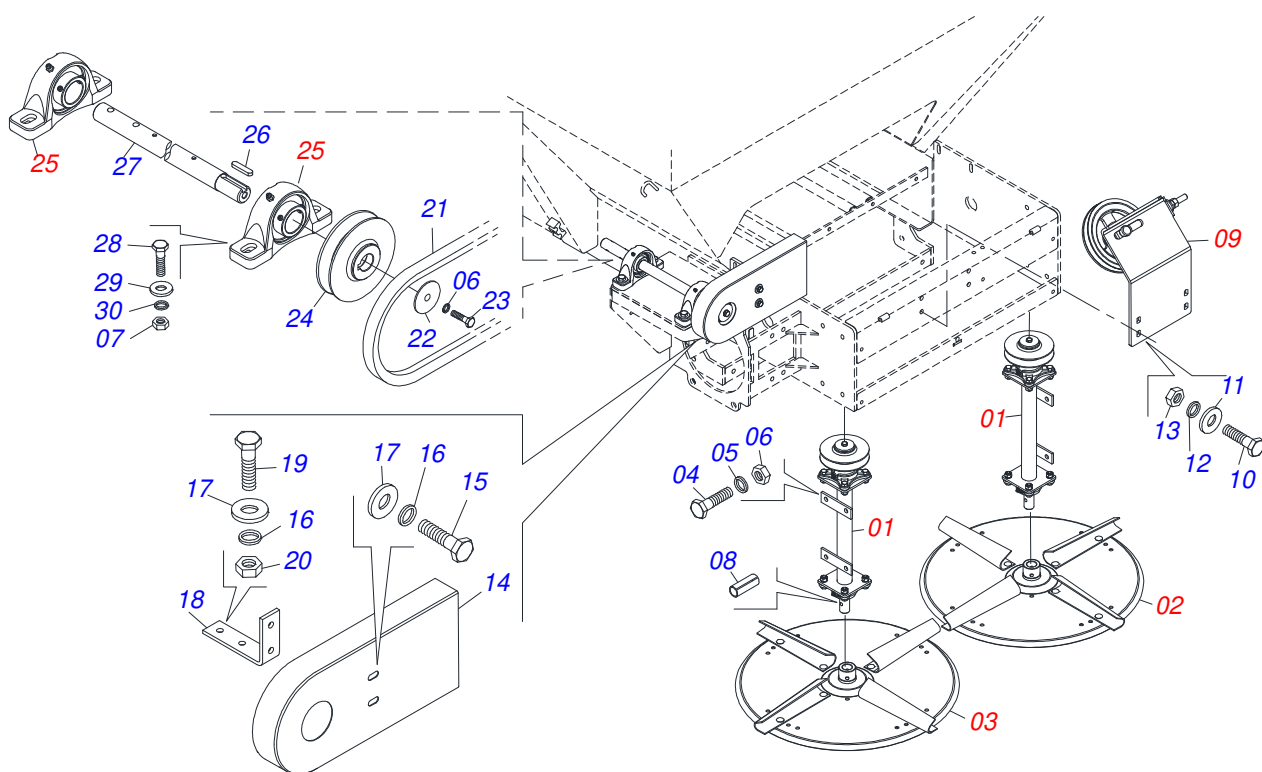
MARCHESAN

INDEX

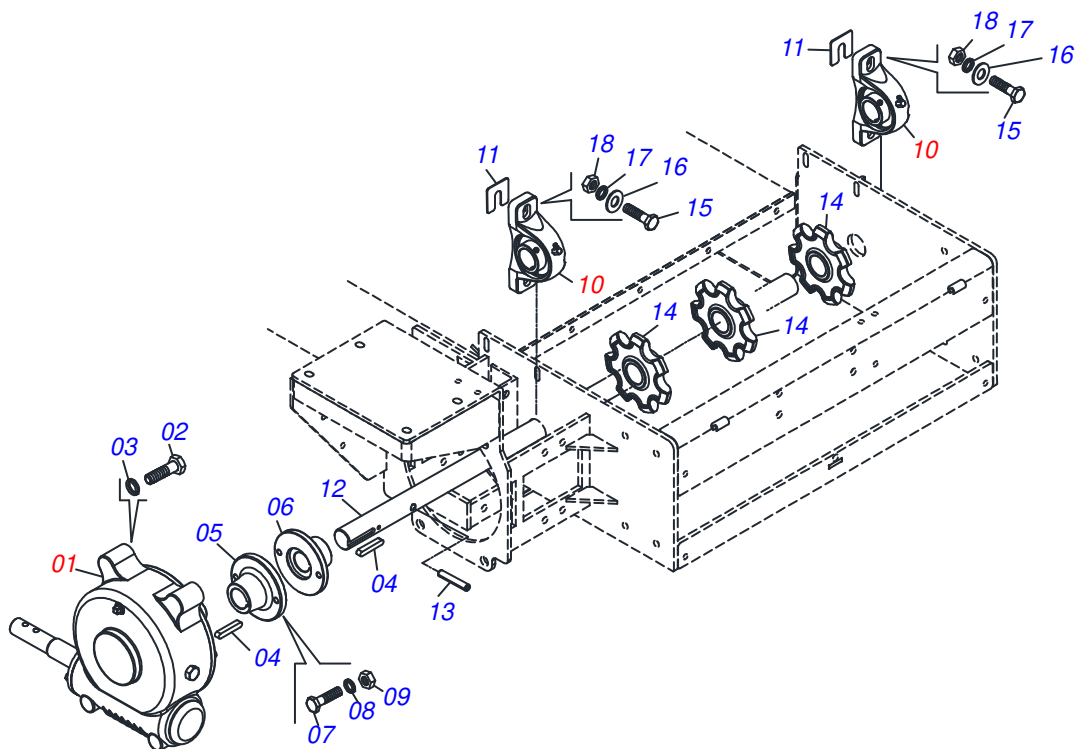
0909094503	FRONT COMPONENTS	1
0909094618	DISTRIBUTOR DISC CONTROLS	2
0909094386	REDUCTOR	3
0909094424	COVER PROTECTOR	4
0909090936	FRAME	5
0909094433	SUPPORT PROTETION DISC	6
0511041062	SUPPORT FIXATION	7
0501051142	CARRYING WHEEL HUB	8
0503060206	29.5"X0.6"- 10L WHEEL AND TIRE ASSY	9
0503060181	WHEEL AND TIRE	10
0511055858	HYDRAULIC DRIVE ASSEMBLY	11
0511054496	TENSIONER SMALEER ASSY	12
0511054497	TENSIONER LARGER ASSY	13
0501053834	MALE QUICK COUPLER	14
0511053588	MOTOR HYDRAULIC OMP 80 WITH NIPPLE 7/8 NIPPE 7/8	15
0503062157	HEADER JACK	16
0501047985	REDUCER	17
0501053868	BELT TENSIONER ASSY	18
0511059094	SHAFT BEARING THREADED	19
0501054013	RIGHT BEARRING SUPPORT DISC	20
0501054014	LEFT BEARING SUPPORT DISC	21
0501058677	DISTRIBUTOR RIGHT DISC ASSY	22
0501058675	DISTRIBUTOR LEFT DISC ASSY	23
0501044308	AGRICULTURAL BEARING ASSY	24
0501048000	AGRICULTURAL BEARING	25
0501047881	AXIS JOINT ASSY	26



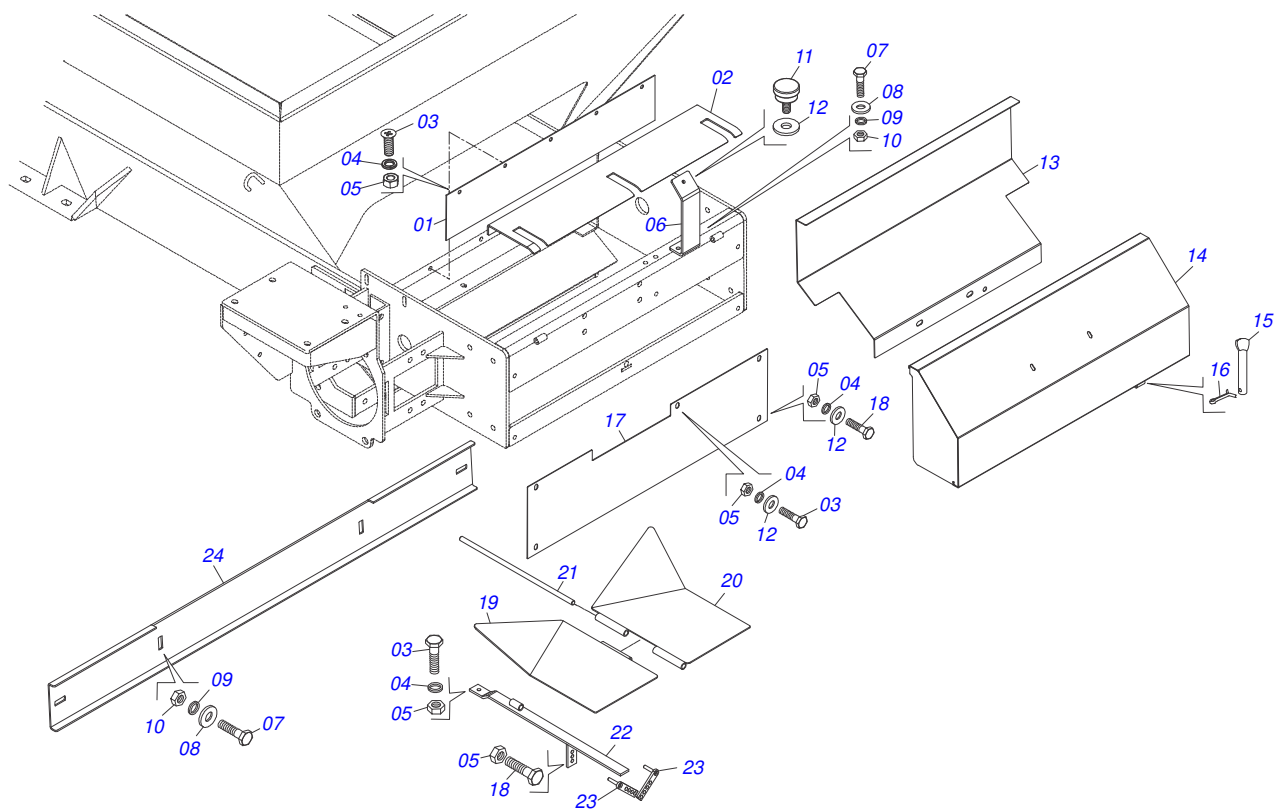
Item	Code	Description	See page	QT
01	0531014345	DRIVEN AXLE		01
02	0503010361	SPRING PIN		03
03	0502040728	7Z GEAR		03
04	0501044308	AGRICULTURAL BEARING ASSY	24	02
05	0503810233	5/8" X 2-1/2" BOLT		04
06	0501012140	FLAT WASHER		08
07	0503010027	5/8" SPRING WASHER		04
08	0503010013	5/8" NUT		06
09	0501067853	ROD STABILIZER		02
10	0501069166	TRACTOR HITCH		01
11	0521015342	WASHER SPACER		01
12	0521010681	BUSHING COUPLING BODY		01
13	0521010639	COUPLING SHAFT		01
14	0503010571	1/4" X 1.1/2 COTTERPIN		01
15	0503062157	HEADER JACK	16	01
16	0521010549	COUPLING SHAFT		01
17	0503030168	CUPILLA		01
18	0501047881	AXIS JOINT ASSY	26	01
19	0503013150	1300 X 3/8 CHAIN		01
20	0581011220	COUPLING SHAFT		01
21	0503010131	3/16" X 1-1/2" COTTERPIN		01



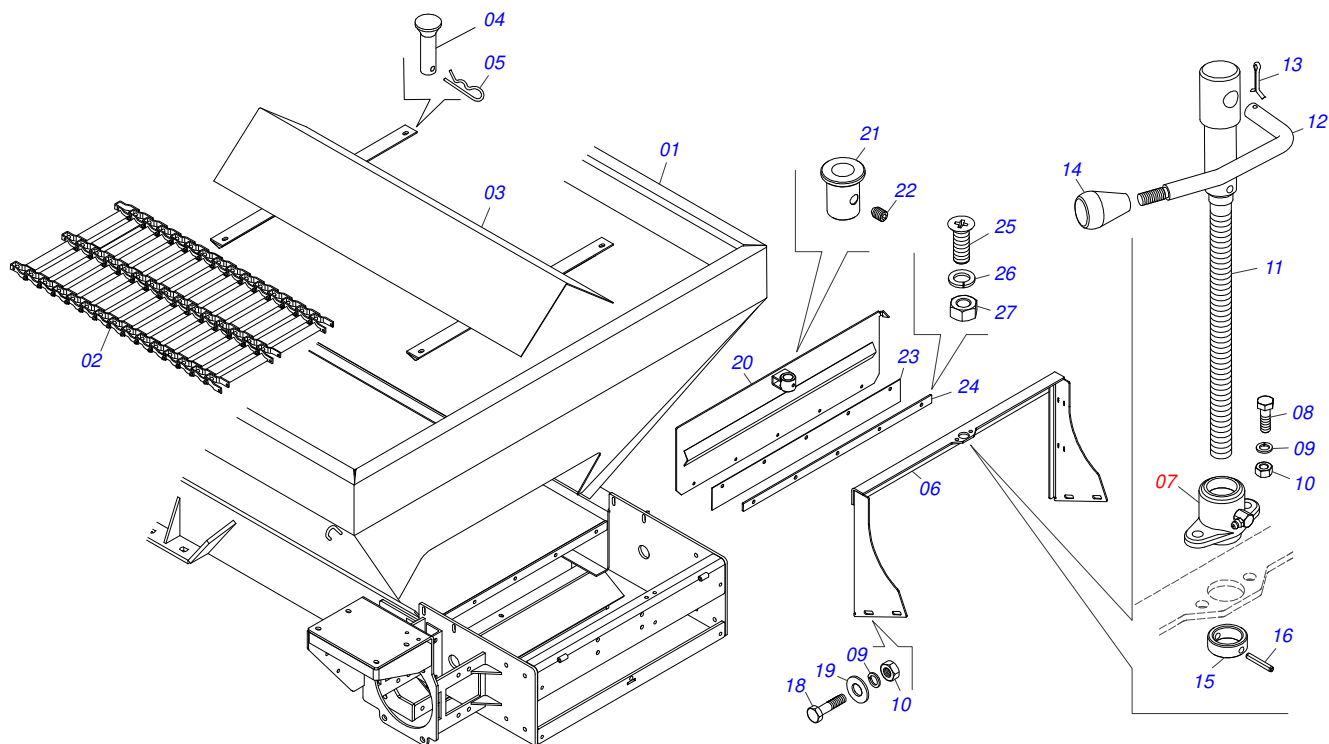
Item	Code	Description	See page	QT
01	0501054013	RIGHT BEARRING SUPPORT DISC	20	02
02	0501053870	DISTRIBUTOR RIGHT DISC ASSY		01
03	0501053871	DISTRIBUTOR LEFT DISC ASSY		01
04	0503010920	1/2" X 1.1/2" BOLT		08
05	0503010019	1/2" SPRING WASHER		08
06	0503010060	1/2" NUT		08
07	0503010013	5/8" NUT		04
08	0503010361	SPRING PIN		02
09	0501053868	BELT TENSIONER ASSY	18	01
10	0503010920	1/2" X 1.1/2" BOLT		04
11	0511017302	FLAT WASHER		04
12	0503011440	SPRING WASHER		04
13	0503010060	1/2" NUT		04
14	0531015149	BELT PROTECTION SIDE		01
15	0503010237	3/8" X 1" BOLT		02
16	0503010025	3/8" SPRING WASHER		06
17	0501010984	FLAT WASHER		04
18	0521063891	FIXER OF PROTECTION		01
19	0503010751	C3/8" X 1.1/4" HEX BOLT G.5		02
20	0503010026	3/8" NUT		04
21	0503012941	C-148 BELT		01
22	0511014052	FLAT WASHER		01
23	0503010355	7/16" X 1" BOLT		01
24	0502011361	REEL 1C 5.5" X 1.1" PULLEY		01
25	0511041213	AGRICULTURAL BEARING		02
26	0501010540	KEYWAY SQUARE		02
27	0531014330	DRIVE AXLE		01
28	0503010899	5/8" X 2-1/4" BOLT		04
29	0501012140	FLAT WASHER		04
30	0503010027	5/8" SPRING WASHER		04



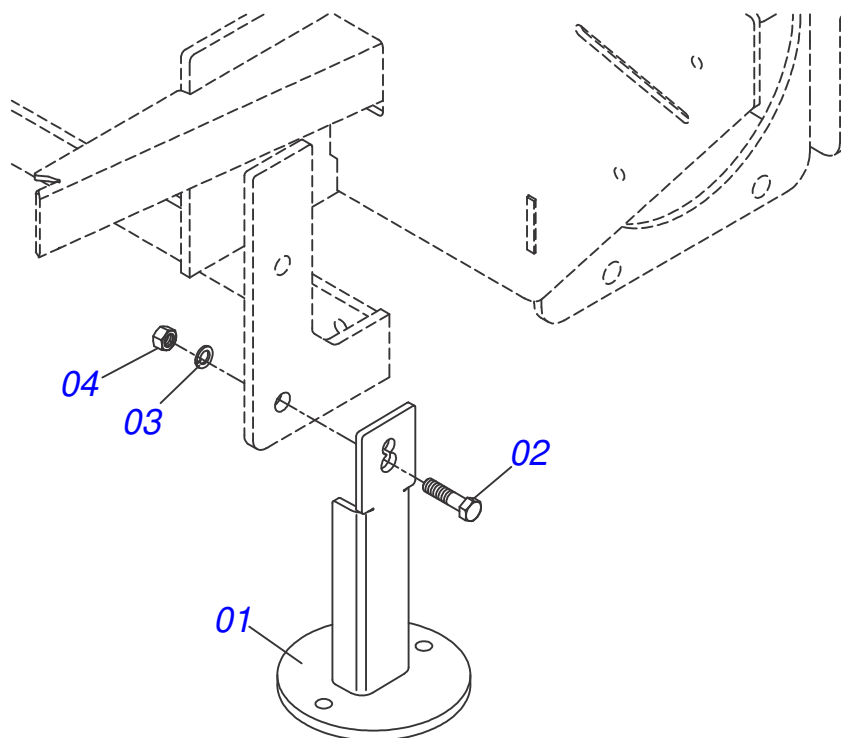
Item	Code	Description	See page	QT
01	0501047985	REDUCER	17	01
02	0503011167	M16 X 2 X 30 BOLT		04
03	0503011445	SPRING WASHER		04
04	0501010540	KEYWAY SQUARE		02
05	0511016541	REDUCTION COUPLING FLANGE		01
06	0511016540	MAT COUPLING FLANGE		01
07	0503010849	3/8" X 1-1/2" BOLT		02
08	0503010025	3/8" SPRING WASHER		02
09	0503010026	3/8" NUT		02
10	0501044308	AGRICULTURAL BEARING ASSY	24	02
11	0501010794	HIDR CHOCK REGULATOR		04
12	0531014346	MOTOR SHAFT		01
13	0503010361	SPRING PIN		03
14	0502040728	7Z GEAR		03
15	0503010740	BOLT 1/2 UNC X 2 CS G.5 ZN		04
16	0511017302	FLAT WASHER		04
17	0503011440	SPRING WASHER		04
18	0503010060	1/2" NUT		04



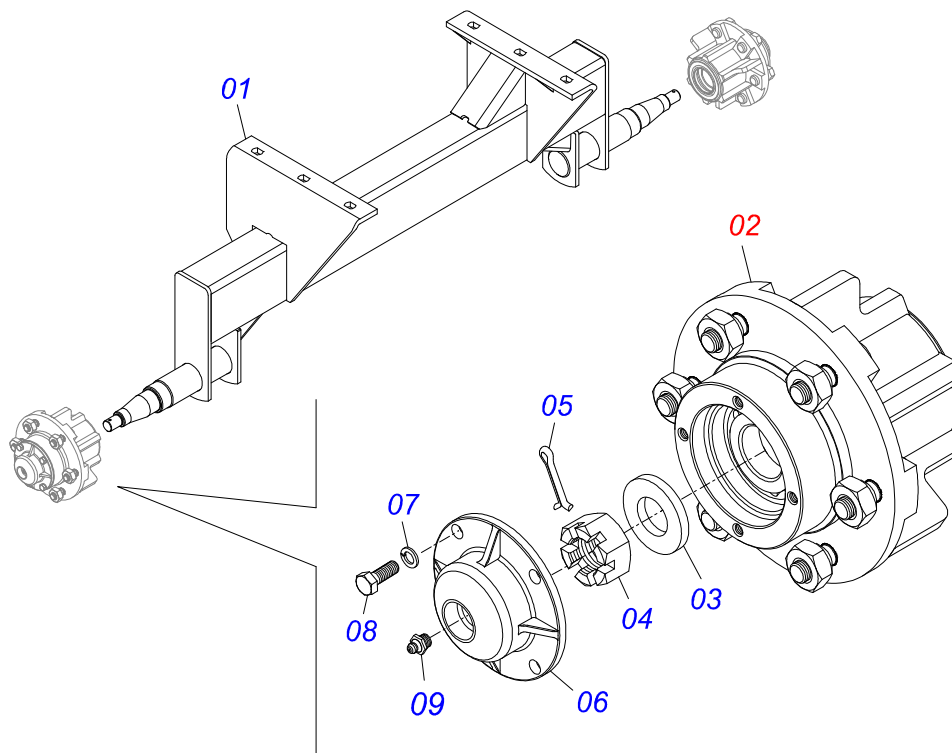
Item	Code	Description	See page	QT
01	0531014337	PROTECTION LARGER	01	01
02	0531014324	TOOTH COVER	01	01
03	0503010237	3/8" X 1" BOLT	09	09
04	0503010025	3/8" SPRING WASHER	11	11
05	0503010026	3/8" NUT	07	07
06	0511063668	REAR FIXER COVER	01	01
07	0503010920	1/2" X 1.1/2" BOLT	03	03
08	0511017302	FLAT WASHER	03	03
09	0503011440	SPRING WASHER	03	03
10	0503010060	1/2" NUT	03	03
11	0503010386	CABLE	01	01
12	0501010984	FLAT WASHER	06	06
13	0531017088	BELT PROTECTION	01	01
14	0511063408	REAR COVER PROTECTION	01	01
15	0501017574	0.3" X 2.7" AXLE	02	02
16	0503010140	1/8" X 3/4" COTTERPIN	02	02
17	0531014340	REAR PROTECTION	01	01
18	0503010849	3/8" X 1-1/2" BOLT	03	03
19	0511063660	LEFT FLOW DIVIDING	01	01
20	0511063659	RIGHT FLOW DIVIDING	01	01
21	0531015309	TENSIONER OPEN	01	01
22	0511063625	REAR DEFLECTOR SUPPORT	01	01
23	0501067368	DIVISOR REGULATOR OPEN	02	02
24	0531014338	BAMPER	01	01



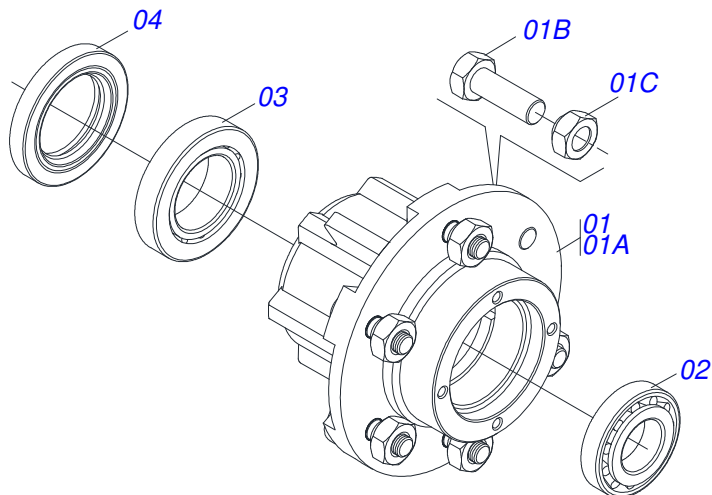
Item	Code	Description	See page	QT
01	0511063842	BUCKET		01
02	0511063813	DRIVE THE TRANSPORT TALISCA		01
03	0511063841	LARGER DEFLECTOR		01
04	0521017623	0.5" X 1.5" COUPLING SHAFT		04
05	0503030168	CUPILLA		04
06	0511063410	SLUDGE VALVE SUPPORT		01
07	0511059094	SHAFT BEARING THREADED	19	01
08	0503010237	3/8" X 1" BOLT		02
09	0503010025	3/8" SPRING WASHER		02
10	0503010026	3/8" NUT		02
11	0561014861	REGULATOR		01
12	0521011107	CRANK BODY		01
13	0503010257	1/8" X 1" COTTERPIN		01
14	0503030878	LEVER CRANK		01
15	0511013015	SLEEVE		01
16	0503010561	SPRING PIN		01
17	0503030751	REGULATOR PLATE		01
18	0503010751	C3/8" X 1.1/4" HEX BOLT G.5		04
19	0501010984	FLAT WASHER		04
20	0511063413	SLUDGE VALVE COVER		01
21	0501019831	ADJUSTING NUT		01
22	0503011148	3/8" X 1/2" BOLT		01
23	0531014336	31.4"X3.1"X 0.1" PROTECTION SMALLER		01
24	0531014331	SLUDGE VALVE FIXER COVER		01
25	0503010546	5/16" X 7/8" BOLT		05
26	0503011444	SPRING WASHER		05
27	0503010337	5/16" NUT		05



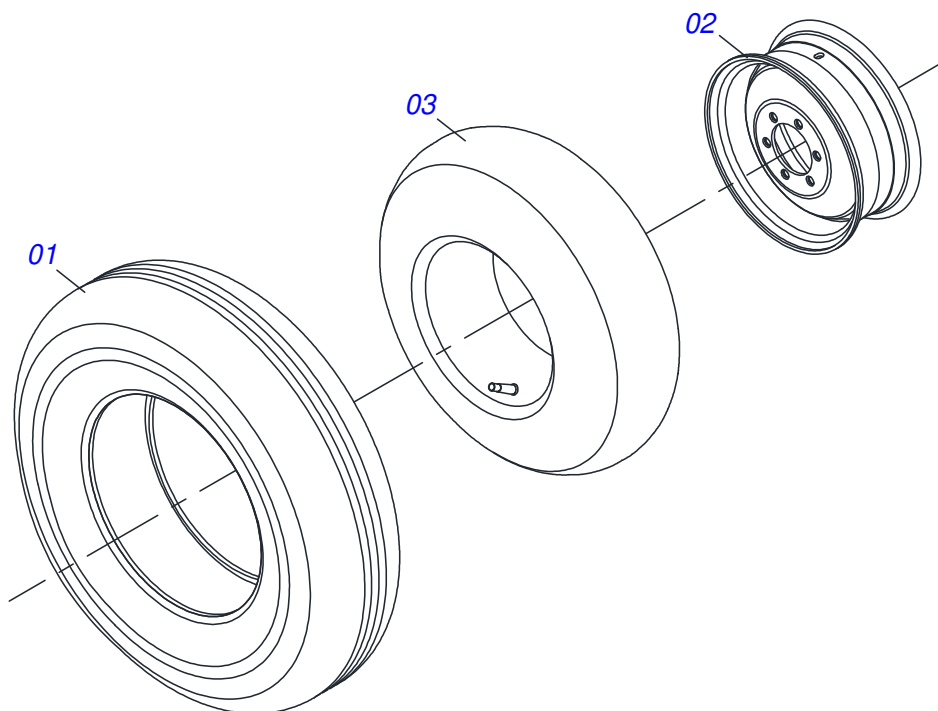
Item	Code	Description	See page	QT
01	0521067015	SUPPORT PROTETION DISC		02
02	0503011267	BOLT 5/8 UNC X 1.1/2 C S G.5 ZN		02
03	0503011445	SPRING WASHER		02
04	0503010013	5/8" NUT		02



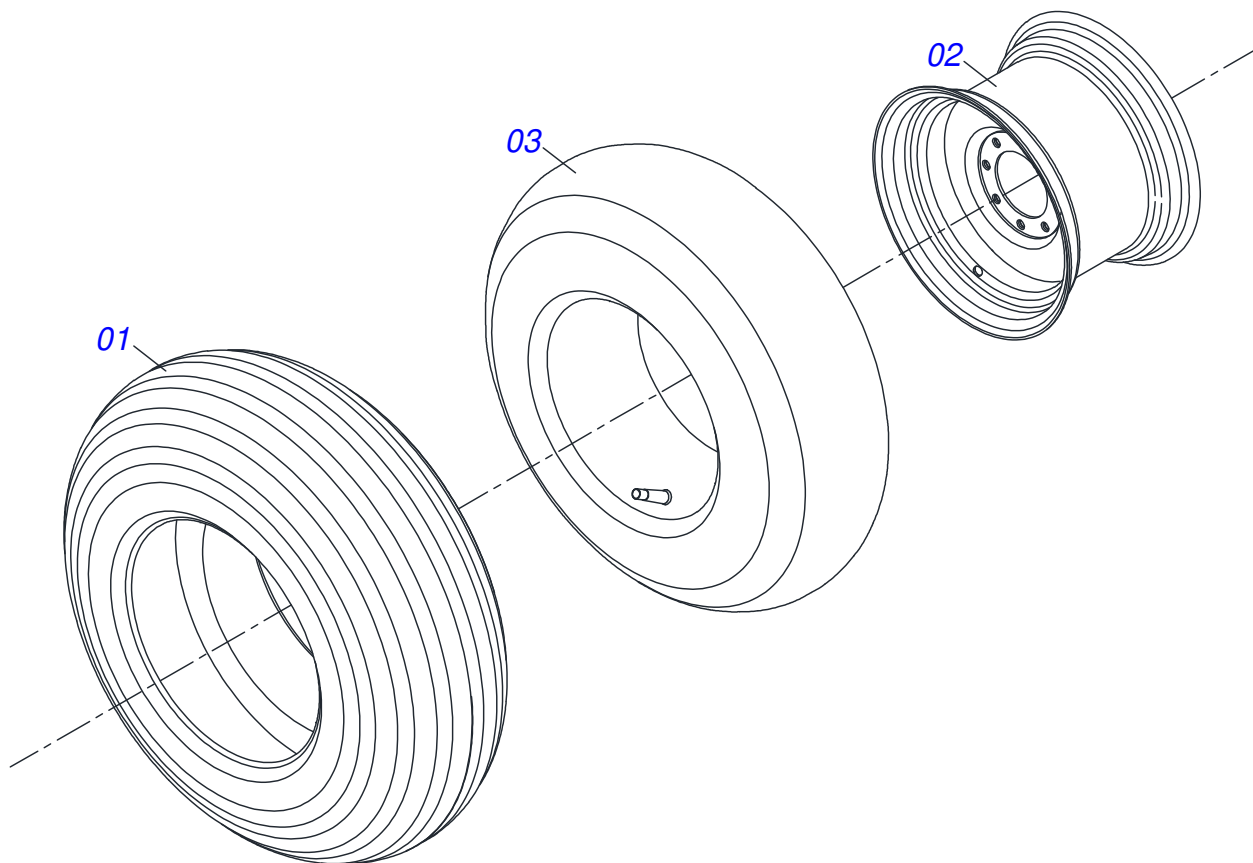
Item	Code	Description	See page	QT
01	0511063812	CARRYING-WHEELS SUPPORT FIXER		01
02	0501051142	CARRYING WHEEL HUB	8	02
03	0501016545	FLAT WASHER		02
04	0503030009	1" CASTLE NUT		02
05	0503010131	3/16" X 1-1/2" COTTERPIN		02
06	0502020591	PROTECCION COVER		02
07	0503011444	SPRING WASHER		08
08	0503010178	5/16" X 7/8" BOLT		08
09	0503010002	1800 GREASE FITTING		02



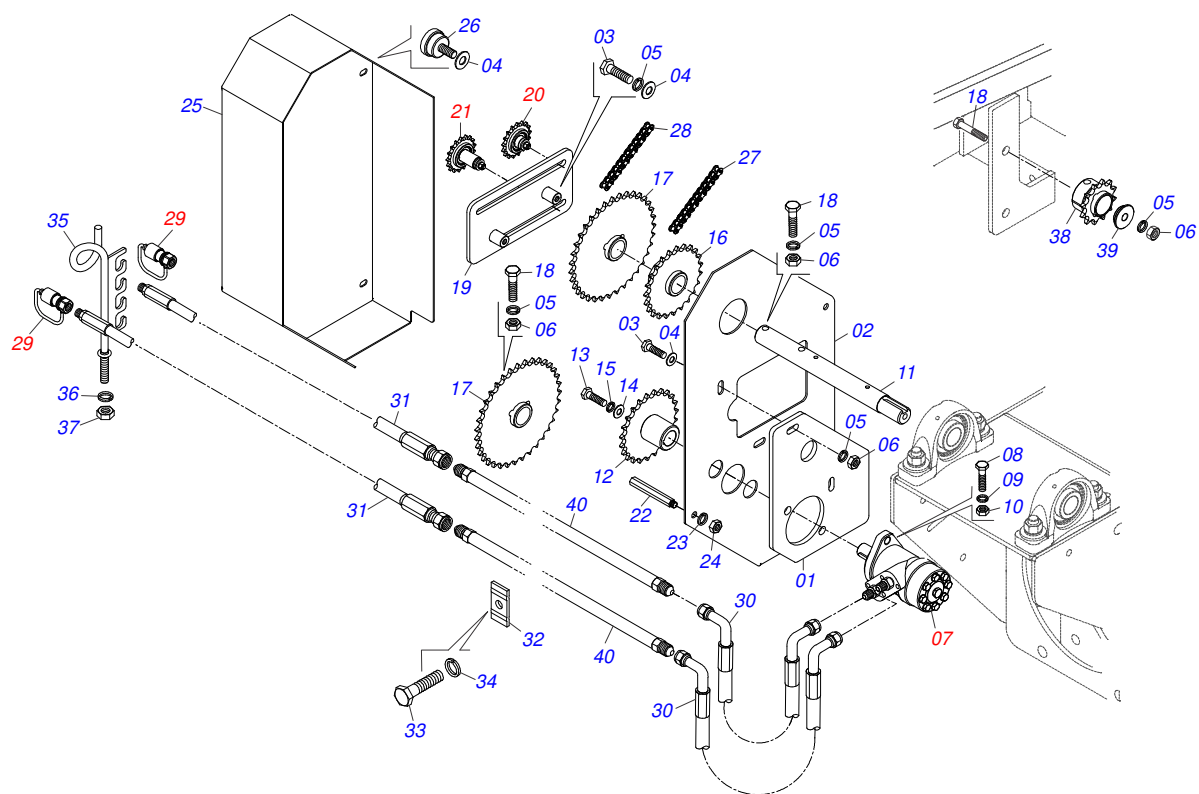
Item	Code	Description	See page	QT
01	0501110728	WHEEL HUB		01
01A	0502011121	CARRYING WHEEL HUB		01
01B	0501010127	9/16" X 1-7/8" LUG BOLT		06
01C	0503010035	9/16" CONIC NUT		06
02	0503010037	30207 ROLLER BEARING		01
03	0503010006	32210 ROLLER BEARING		01
04	0503012928	SEAL		01



Item	Code	Description	See page	QT
01	0503010120	CANVAS TIRE		01
02	0521062708	WHEEL 5,50 X 16 X 118 X 6F 16,50 X 152,40		01
03	0503010033	7.50 X 16 INNER TIRE		01



Item	Code	Description	See page	QT
01	0503010858	CANVAS TIRE		01
02	0503011468	WEEL		01
03	0503010860	AIR CHAMBER 11L 15		01

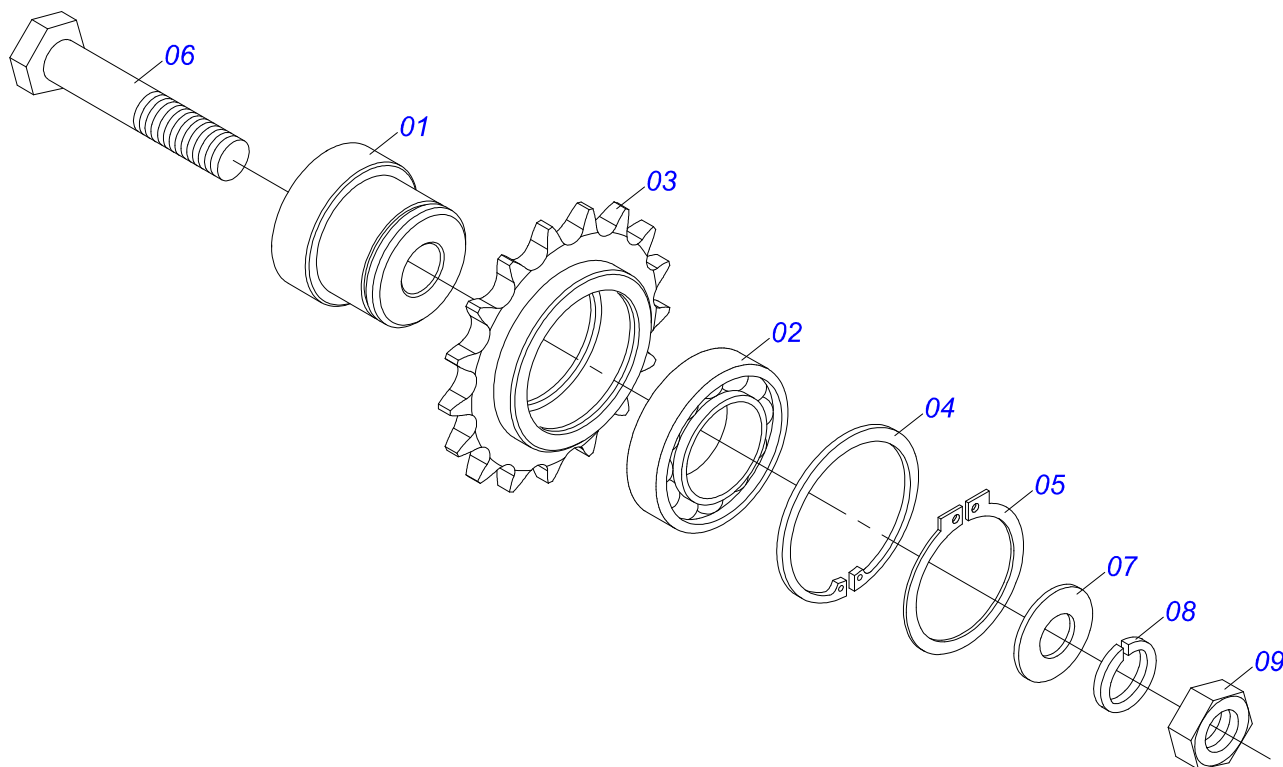


Item	Code	Description	See page	QT
01	0571015182	HIDRAULIC MOTOR SUPPORT		01
02	0571015456	PROTECTION REAR		01
03	0503010849	3/8" X 1-1/2" BOLT		04
04	0501010984	FLAT WASHER		07
05	0503011443	3/8" SPRING WASHER		05
06	0503010026	3/8" NUT		09
07	0511053588	MOTOR HYDRAULIC OMP 80 WITH NIPPLE 7/8 15 NIPPE 7/8		01
08	0503010920	1/2" X 1.1/2" BOLT		02
09	0503011440	SPRING WASHER		02
10	0503010060	1/2" NUT		02
11	0571015190	DRIVE AXLE		01
12	0521064566	GEAR HIDRAULIC MOTOR		01
13	0503011257	M 8 X 1,25 X 30 BOLT		01
14	0501010694	FLAT WASHER		01
15	0503011444	SPRING WASHER		01
16	0521063041	GEAR 23Z		01
17	0501069020	35Z GEAR		02
18	0503011141	3/8" X 2-3/4" BOLT		04
19	0521064691	SUPPORT TENSIONER		01
20	0511054496	TENSIONER SMALEER ASSY	12	01
21	0511054497	TENSIONER LARGER ASSY	13	01
22	0571015189	PRISONER 3/8"		03
23	0503010025	3/8" SPRING WASHER		03
24	0503010026	3/8" NUT		03
25	0571015457	CHAIN CAP		01
26	0503010386	CABLE		03
27	0503011233	50-1 CHAIN X 79 LINK + REDUCTION + MENDING		01
28	0503013003	50-1 CHAIN X 79 LINK + REDUCTION + MENDING		01
29	0501053834	MALE QUICK COUPLER	14	02
30	0501081512	HOSE 1/2 X 800 TC-TC 90G		02
31	0501080246	TR-TM HOSE ASSY		02

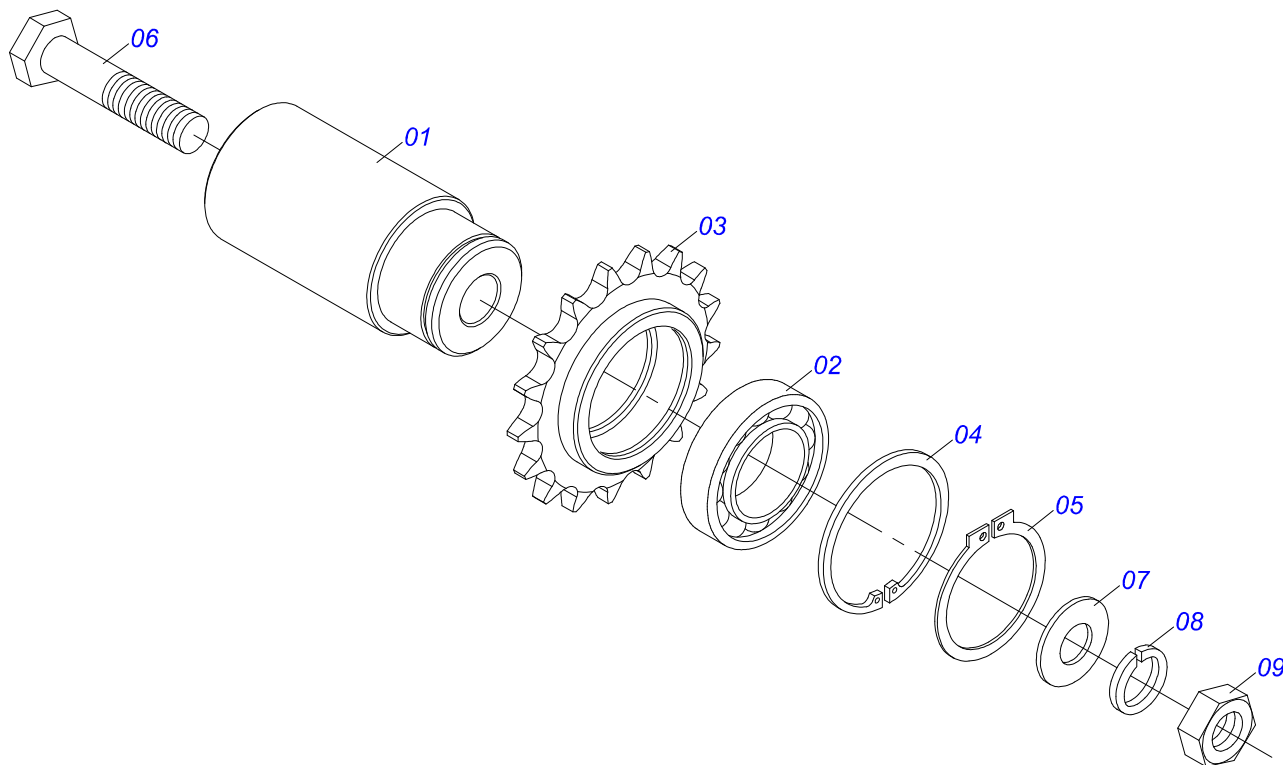


**DCCO 2500 MC STARTER WITH HYDRAULIC
HYDRAULIC DRIVE ASSEMBLY**

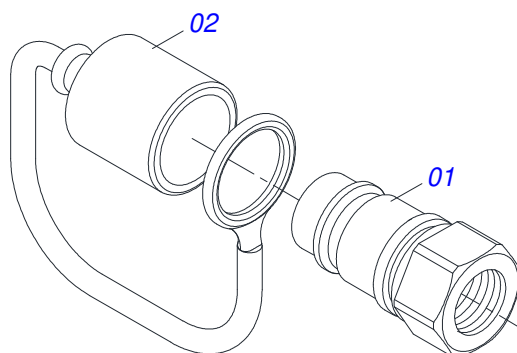
Item	Code	Description	See page	QT
32	0531011180	UPPER BODY CLIP		04
33	0503012555	SCREW 7/16 UNC X 2 CS RT G.7 ZN		05
34	0503010180	7/16" SPRING WASHER		05
35	0501060409	HOSE SOPPORT ASSY		01
36	0503010023	3/4" SPRING WASHER		01
37	0503010014	3/4" NUT		01
38	0501069017	12Z GEAR		01
39	0581011125	LOCK WASHER		01
40	0521066603	OIL TUBE		02



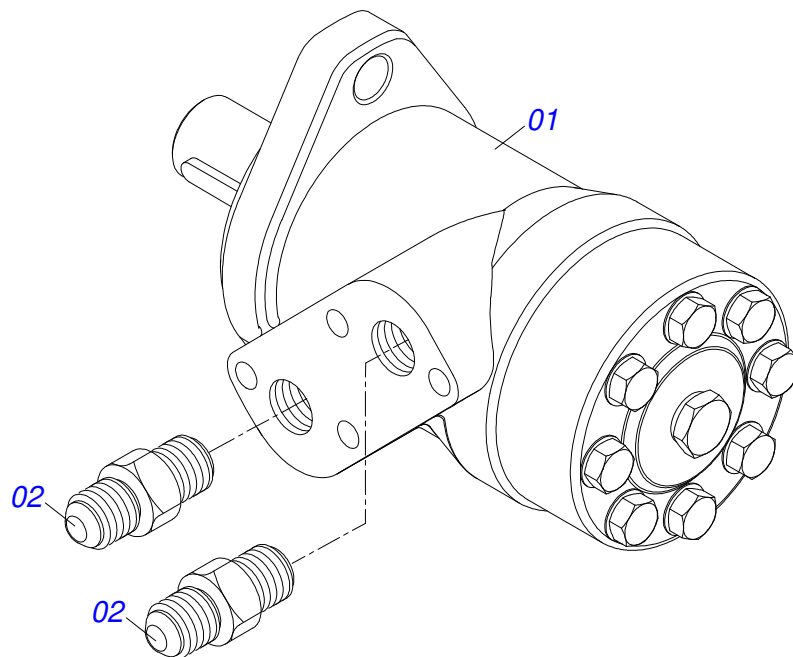
Item	Code	Description	See page	QT
01	0571015185	AXLE TIGHTENER 26		01
02	0503011410	ROLLER BEARING		01
03	0511061836	17Z GEAR		01
04	0503011105	SEAL RING		01
05	0503010406	501025 CLAMPING RING (FOR AXLE)		01
06	0501010096	3/8" X 2" BOLT		01
07	0501010984	FLAT WASHER		01
08	0503010025	3/8" SPRING WASHER		01
09	0503010026	3/8" NUT		01



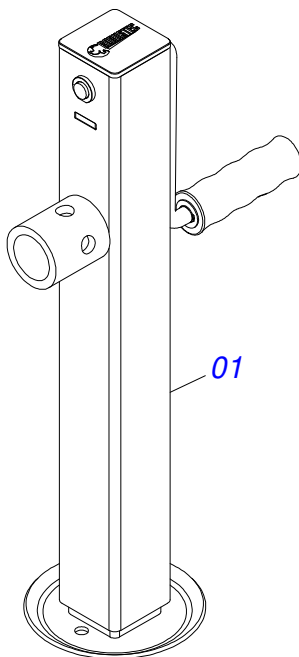
Item	Code	Description	See page	QT
01	0571015186	AXLE TIGHTENER 26		01
02	0503011410	ROLLER BEARING		01
03	0511061836	17Z GEAR		01
04	0503011105	SEAL RING		01
05	0503010406	501025 CLAMPING RING (FOR AXLE)		01
06	0503010718	3/8" X 3-1/2" BOLT		01
07	0501010984	FLAT WASHER		01
08	0503010025	3/8" SPRING WASHER		01
09	0503010026	3/8" NUT		01



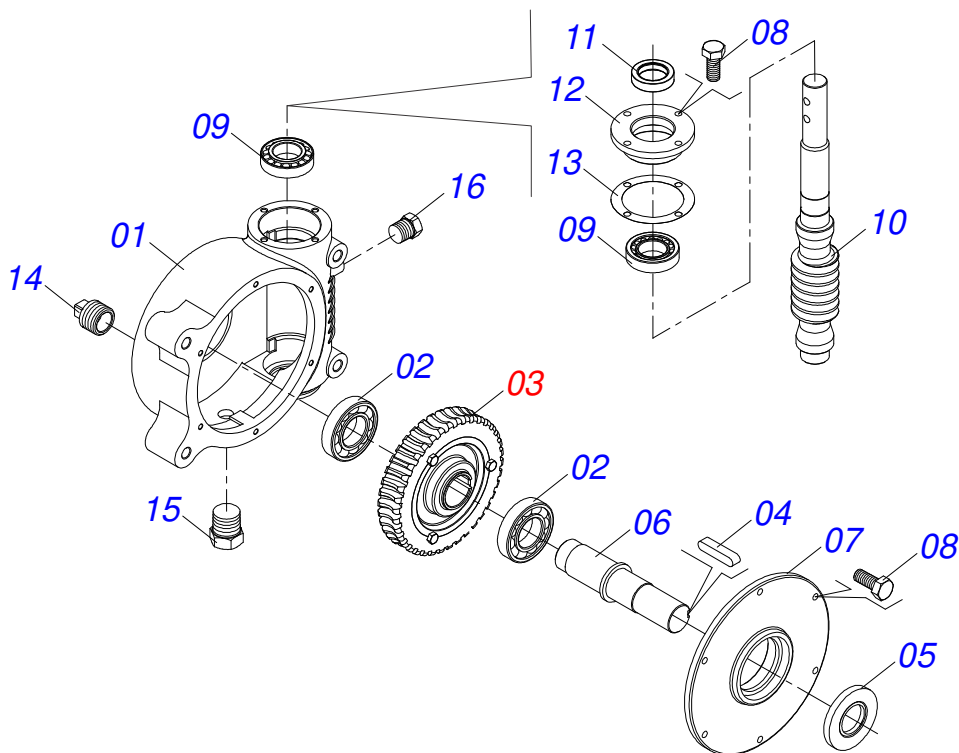
Item	Code	Description	See page	QT
01	0503011627	MALE QUICK COUPLER AGR 1/2 NPT		01
02	0503011882	MALE QUICK COUPLER CAP		01



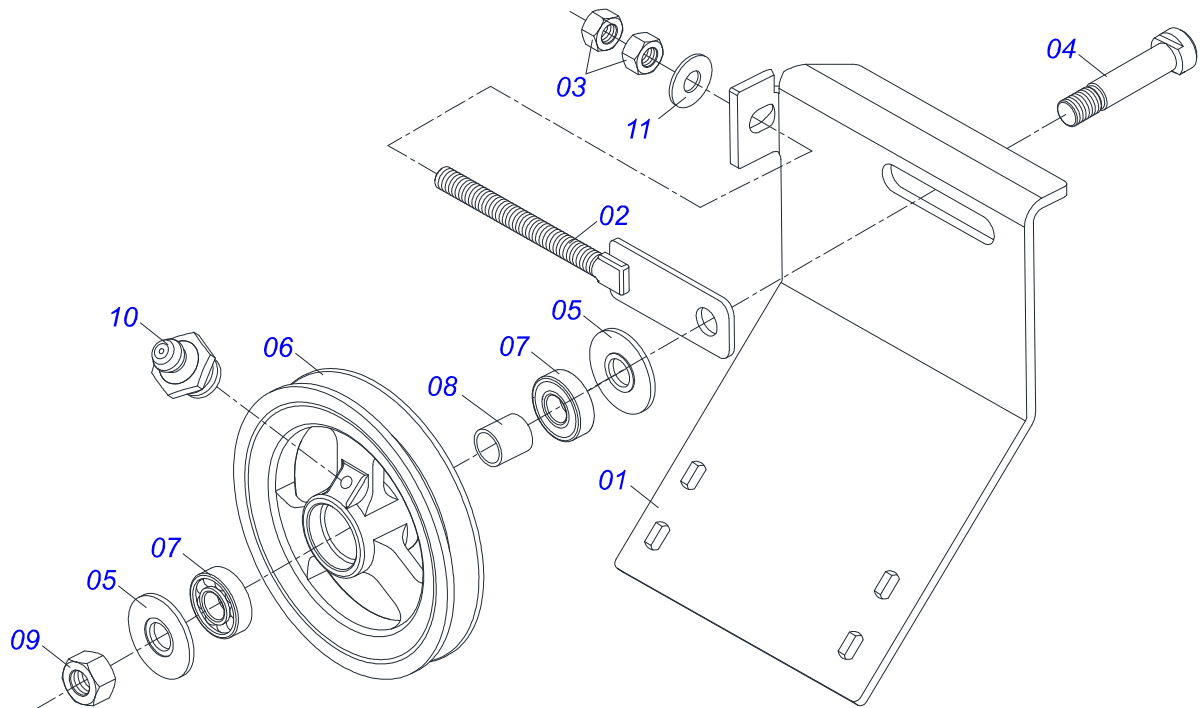
Item	Code	Description	See page	QT
01	0503016055	MOTOR HYDRAULIC PARKER OMP 80 ISOBUS		01
02	0511014065	7/8" NF X R1/2NPT X 52 NIPPLE		02



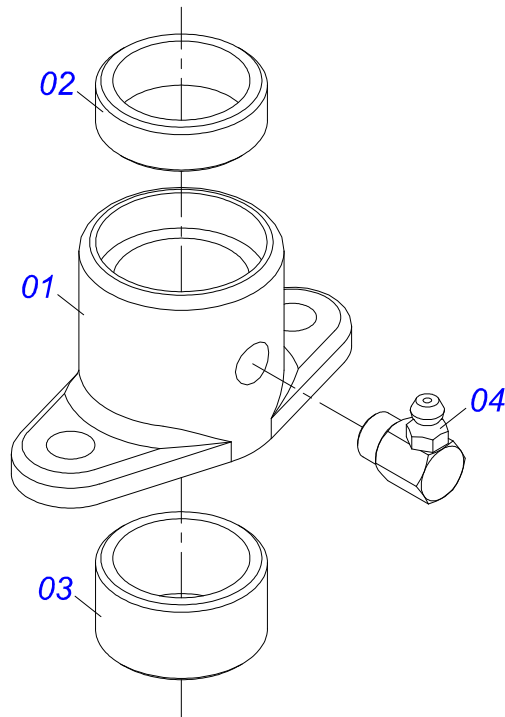
Item	Code	Description	See page	QT
01	0503062157	HEADER JACK	16	01



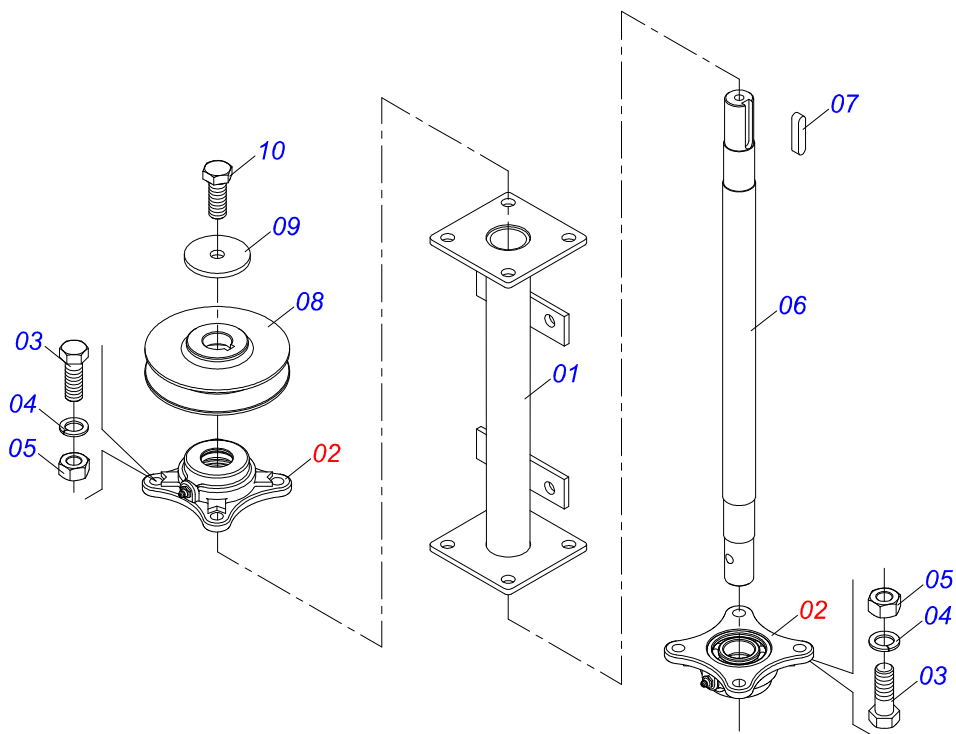
Item	Code	Description	See page	QT
01	0502011456	REDUCTION BOX		01
02	0503011095	6208 BALL BEARING		02
03	0501051774	38Z CROWN		01
04	0503011304	1/2" X 2.4" KEYWAY SQUARE		01
05	0503010818	02675-BRG SEAL		01
06	0521010996	AXLE		01
07	0502020556	LARGER COVER		01
08	0503010240	BOLT		10
09	0503010016	BEARING LM		02
10	0521010997	SCREW THEAD		01
11	0503011171	00912-BRG SEAL		01
12	0502011457	SMALLER COVER		01
13	0503030981	102 X 75,5 X 0,10 JOINT		01
14	0521011023	PLUG		01
15	0503031604	1/2" BSP PLUG		01
16	0503010856	OIL PLUG		01



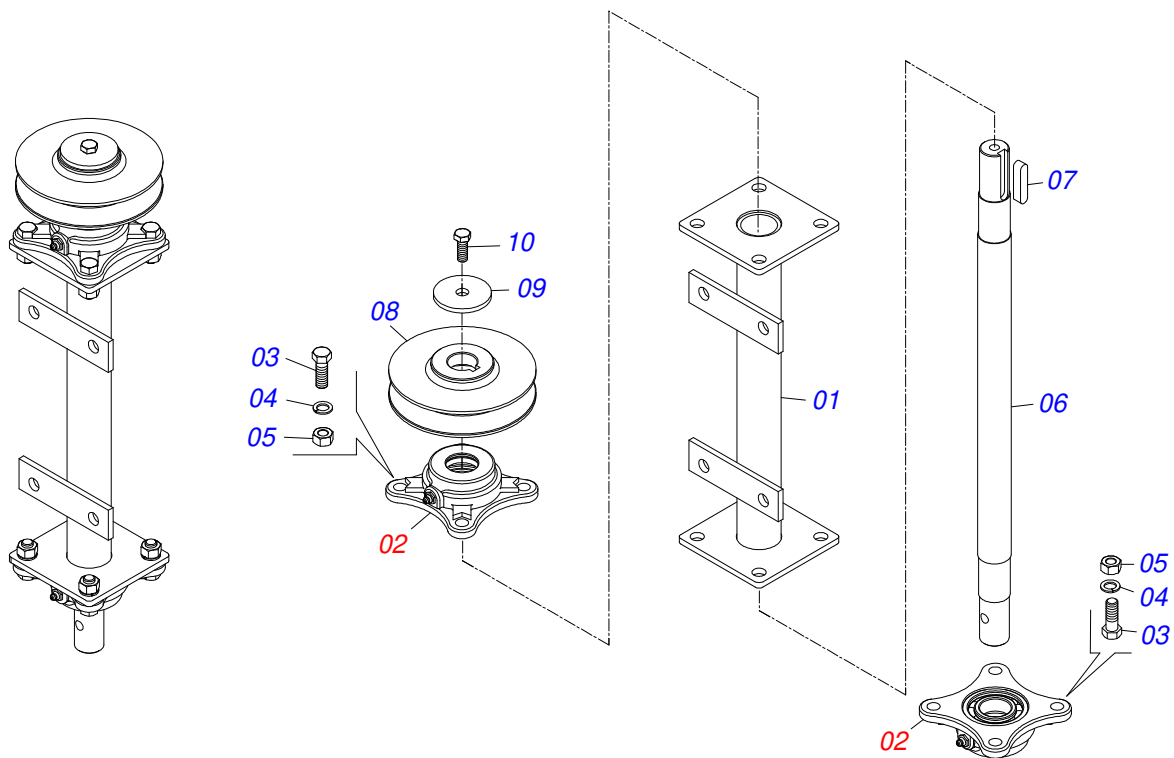
Item	Code	Description	See page	QT
01	0531014326	PULLEY BODY SUPPORT		01
02	0511064818	PULLEY TENSIONER		01
03	0503010013	5/8" NUT		02
04	0511012362	TIGHTENER AXLE PULLEY		01
05	0501019288	WASHER SPACER		02
06	0502011366	REEL 1C 8.3" X 1.6" PULLEY		01
07	0503010690	6204 BALL BEARING		02
08	0521010497	0.8" X 1.1" X 1.1" SPACER		01
09	0503010014	3/4" NUT		01
10	0503010002	1800 GREASE FITTING		01
11	0501012140	FLAT WASHER		01



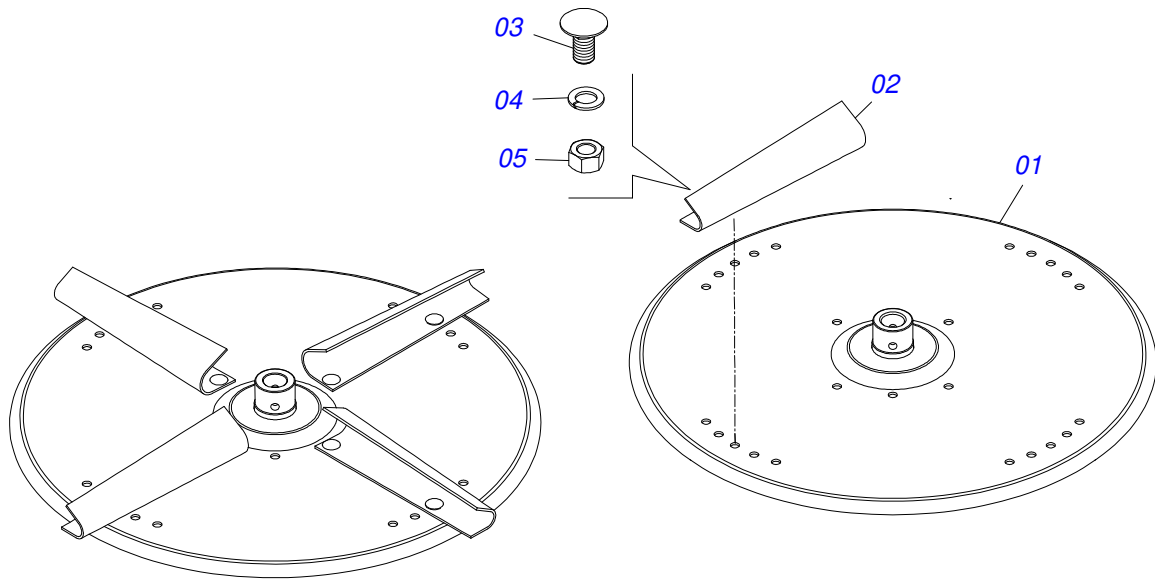
Item	Code	Description	See page	QT
01	0502010581	ROD BEARING		01
02	0521010458	SLEEVE		01
03	0521010457	SLEEVE		01
04	0503010004	1890 GREASE FITTING		01



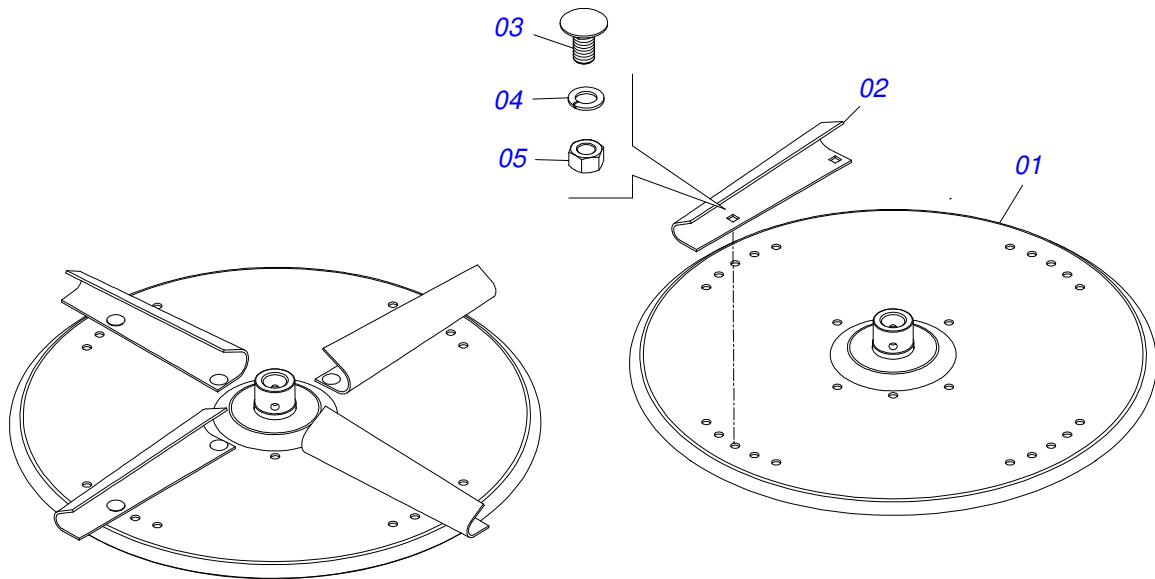
Item	Code	Description	See page	QT
01	0511063742	DISTRIBUTOR RIGHT/LEFT SUPPORT		01
02	0501048000	AGRICULTURAL BEARING	25	02
03	0503011135	BOLT		08
04	0503011446	SPRING WASHER		08
05	0503010244	7/16" NUT		08
06	0511016489	DISTRIBUTOR AXLE CONDUCTOR DISC		01
07	0501010536	KEYWAY SQUARE		01
08	0502011361	REEL 1C 5.5" X 1.1" PULLEY		01
09	0511014052	FLAT WASHER		01
10	0503010237	3/8" X 1" BOLT		01



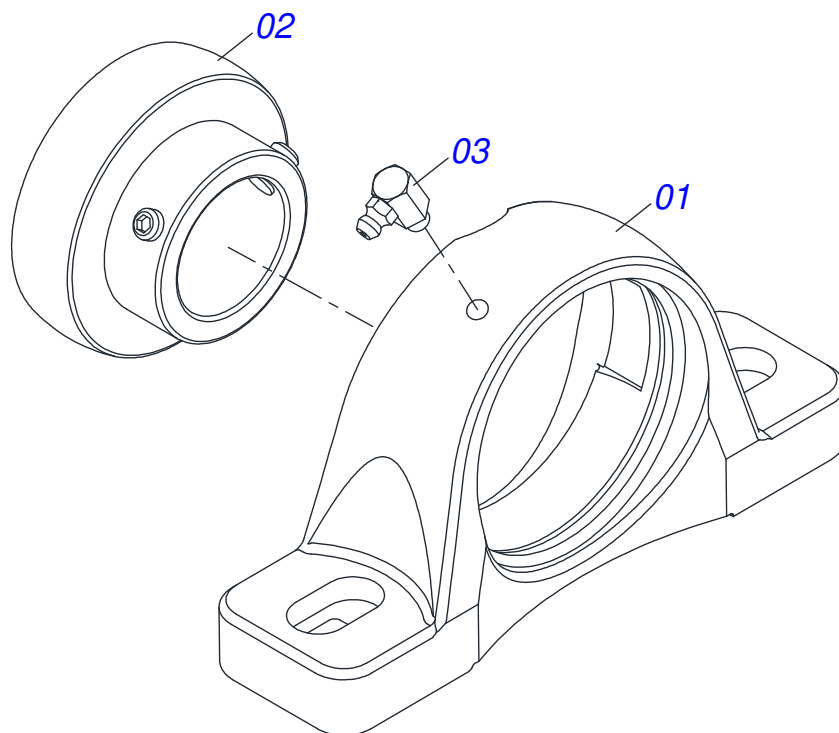
Item	Code	Description	See page	QT
01	0511063742	DISTRIBUTOR RIGHT/LEFT SUPPORT		01
02	0501048000	AGRICULTURAL BEARING	25	02
03	0503011102	BOLT 7/16 UNC X 1.1/4 C S G.5 ZN		08
04	0503010180	7/16" SPRING WASHER		08
05	0503010244	7/16" NUT		08
06	0511016489	DISTRIBUTOR AXLE CONDUCTOR DISC		01
07	0501010536	KEYWAY SQUARE		01
08	0502011361	REEL 1C 5.5" X 1.1" PULLEY		01
09	0511014052	FLAT WASHER		01
10	0503010237	3/8" X 1" BOLT		01



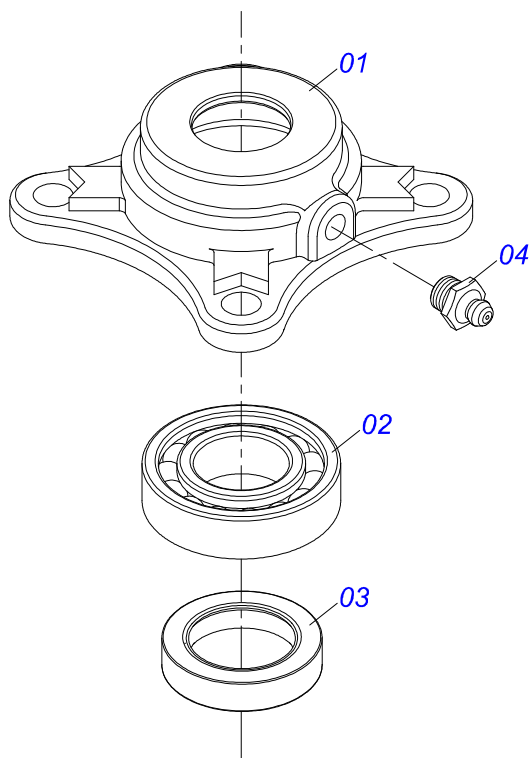
Item	Code	Description	See page	QT
01	0511063411	DISTRIBUTOR DISC		01
02	0531014343	RH FLIP		04
03	0503013029	3/8" X 3/4" BOLT		08
04	0503011443	3/8" SPRING WASHER		08
05	0503010026	3/8" NUT		08



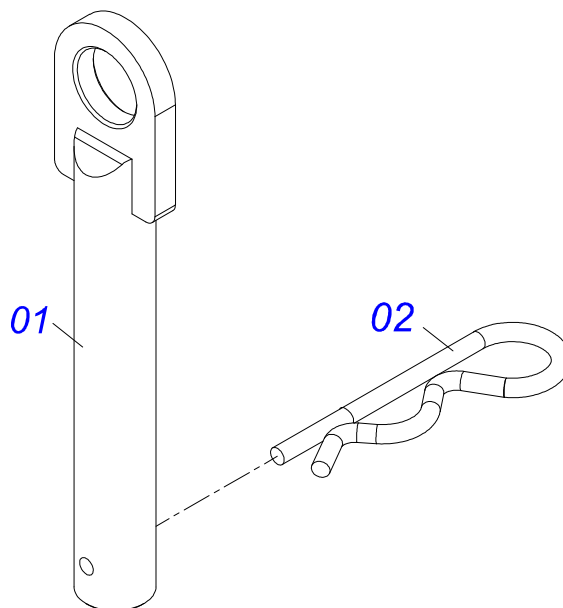
Item	Code	Description	See page	QT
01	0511063411	DISTRIBUTOR DISC		01
02	0531014344	LH FLIP		04
03	0503013029	3/8" X 3/4" BOLT		08
04	0503011443	3/8" SPRING WASHER		08
05	0503010026	3/8" NUT		08



Item	Code	Description	See page	QT
01	0502011050	AGRICULTURAL HOUSING BEARING		01
02	0503011163	1108/UCR BEARING ASSY		01
03	0503010004	1890 GREASE FITTING		01



Item	Code	Description	See page	QT
01	0502011442	AGRICULTURAL HOUSING BEARING		01
02	0503010276	6206 BALL BEARING		01
03	0503011865	SEAL		01
04	0503010002	1800 GREASE FITTING		01



Item	Code	Description	See page	QT
01	0501068989	COUPLING SHAFT		01
03	0503031035	HAIR PIN		01



MARCHESAN

Technical Publications | Elaboration and Revision

JOÃO VIRGINIO ROCHA

www.marchesan.com.br

