

PARTS CATALOGUE



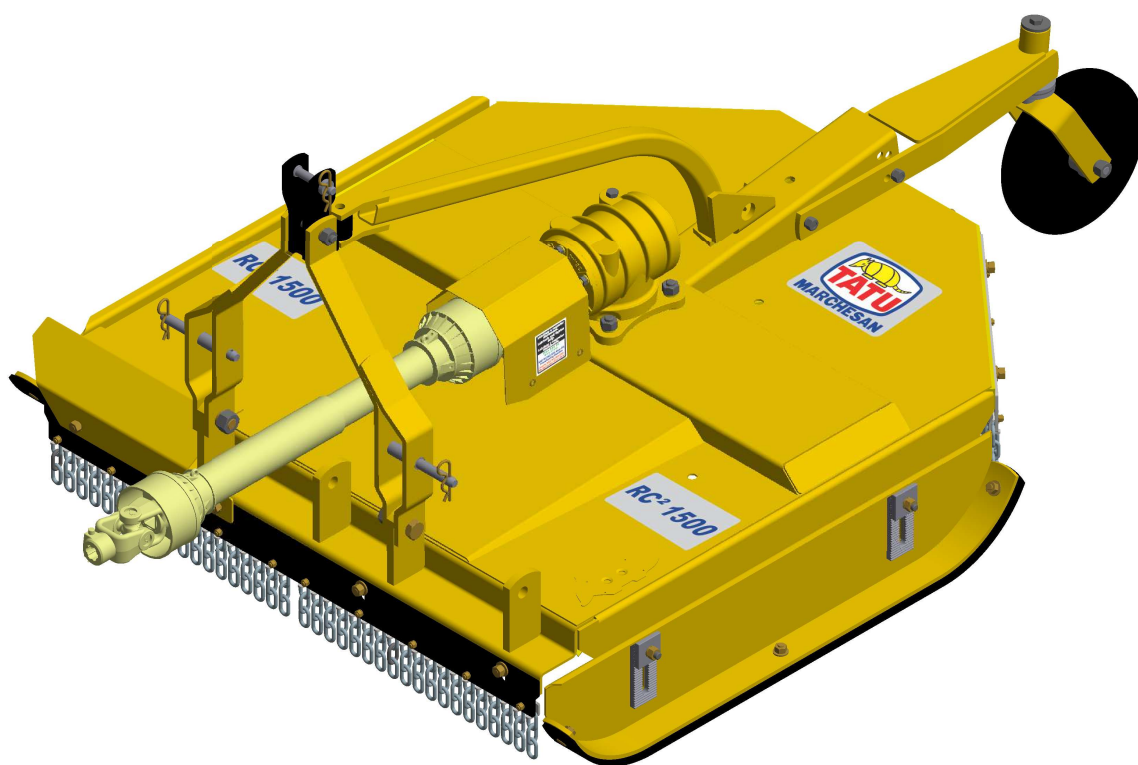
ROTARY CUTTERS

Code:

0501091654

Product:

RC2 1500



Series:

S-0214

Revision:

00

Date Revision:

AGOSTO/2019



PRODUCTS

Code	Description
0104010007	RC2 1500 C/R BORR S/PROT EXP S-0214
0104010004	RC2 1500 C/R CM S/PROT EXP S-0214
0104010009	RC2 1500 C/R PROT CORRENTE S-0214
0104010005	RC2 1500 C/R S/PROT EXP S-0214
0104010003	RC2 1500 S/R C/PROT CORR S-0214
0104010003C	RC2 1500 S/R C/PROT CORR EXP S-0214
0104010008	RC2 1500 S/R CM S/CARDAN S-0214
0104010006	RC2 1500 S/R S/PROT EXP S-0214

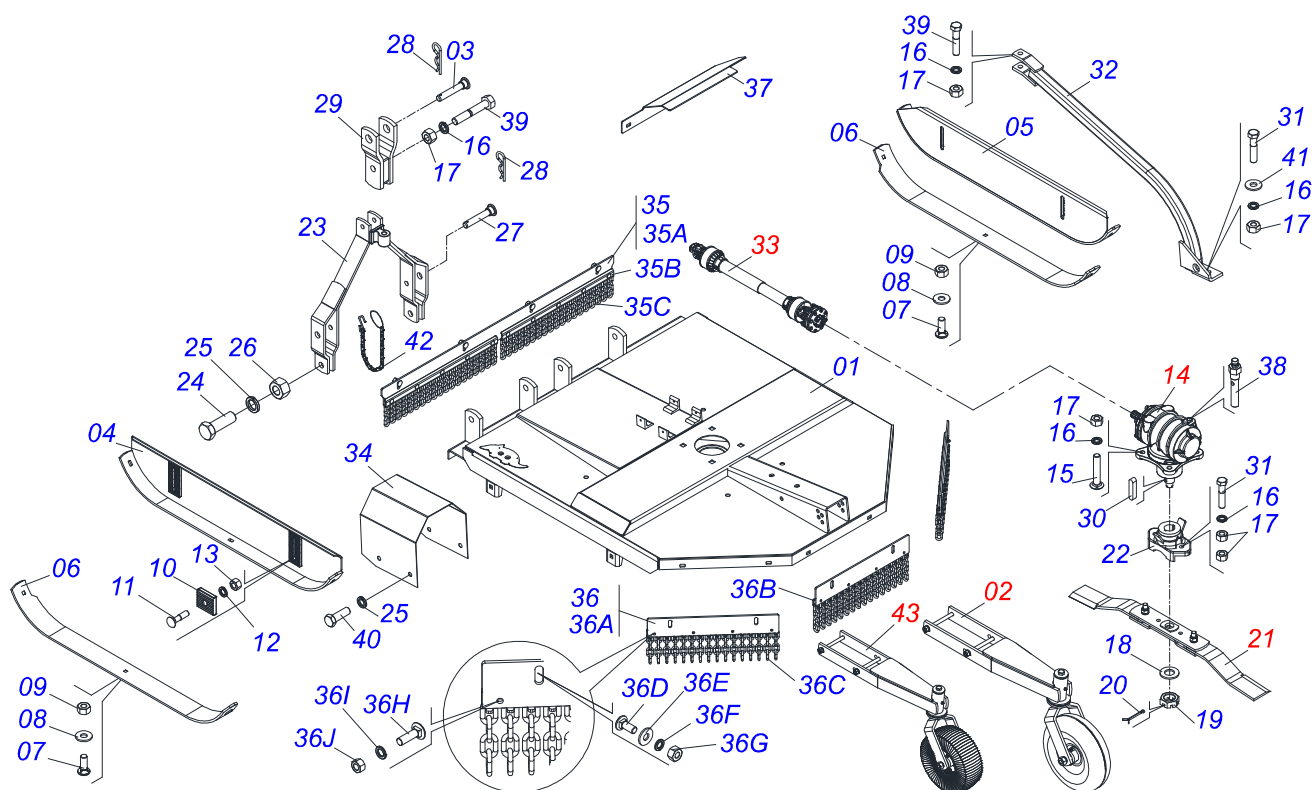
ATTENTION: IMPORTANT

Marchesan S.A. reserves the right to improve and / or modify the technical features of its products, without obligation to do the same with those products already sold and without prior knowledge of the dealer or the consumer.



INDEX

0909091248	FRAME ASSY	1
0511047301	CARRYING WHEELS ASSY	2
0501043642	RUBBER WHEEL ASSY	3
0501056321	SUPPORT ROTARY CUTTER BLADES	4
0501047949	DRIVE SHAFT	5
0501046851	MULTIPLIER	6
0501043660	FRICION	7



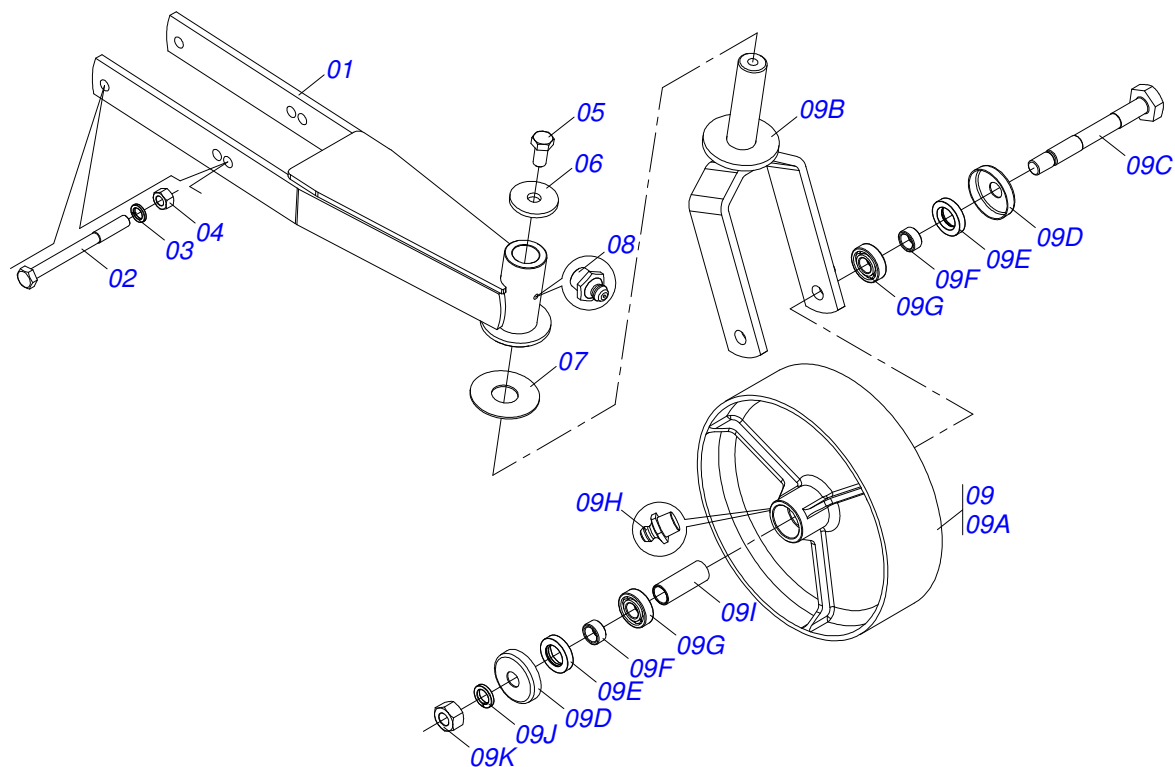
Item	Code	Description	See page	QT
01	0521065559	FRAME RC2 1500		01
02	0511047301	CARRYING WHEELS ASSY	2	01
03	0521010578	COUPLING SHAFT		01
04	0521066191	SKATE 1270 RO2 1700		01
05	0521067012	RIGHT SKATE (1270)		01
06	0531019433	SKID GUIDE		02
07	0503012956	1/2" X 1-1/2" BOLT		06
08	0511017302	FLAT WASHER		06
09	0503010020	1/2"NUT		06
10	0502010083	SQUARE WASHER		04
11	0501014177	5/8" X 2-1/2" BOLT		04
12	0503010027	5/8" SPRING WASHER		04
13	0503010013	5/8" NUT		04
14	0501046851	MULTIPLIER	6	01
15	0503013122	3/4" X 4-1/4" BOLT		04
16	0503010023	3/4" SPRING WASHER		07
17	0503010014	3/4" NUT		07
18	0501017779	32 X 60 X 4.75 FLAT WASHER		01
19	0503011052	1.1/4" X 0.77" CASTLE NUT		01
20	0503010131	3/16" X 1-1/2" COTTERPIN		01
21	0501056321	SUPPORT ROTARY CUTTER BLADES	4	01
22	0502012453	SUPPORT FLANGE		01
23	0501067832	DRAWBAR		01
24	0501010276	BOLT		02
25	0503010012	1" SPRING WASHER		02
26	0501010059	1.5/8 NUT		02
27	0521010596	COUPLING SHAFT		02
28	0503031035	HAIR PIN		02
29	0501060330	PIVOT DOUBLE BAR		01
30	0501010536	KEYWAY SQUARE		01
31	0503010901	3/4UNC 3.1/2 BOLT		01



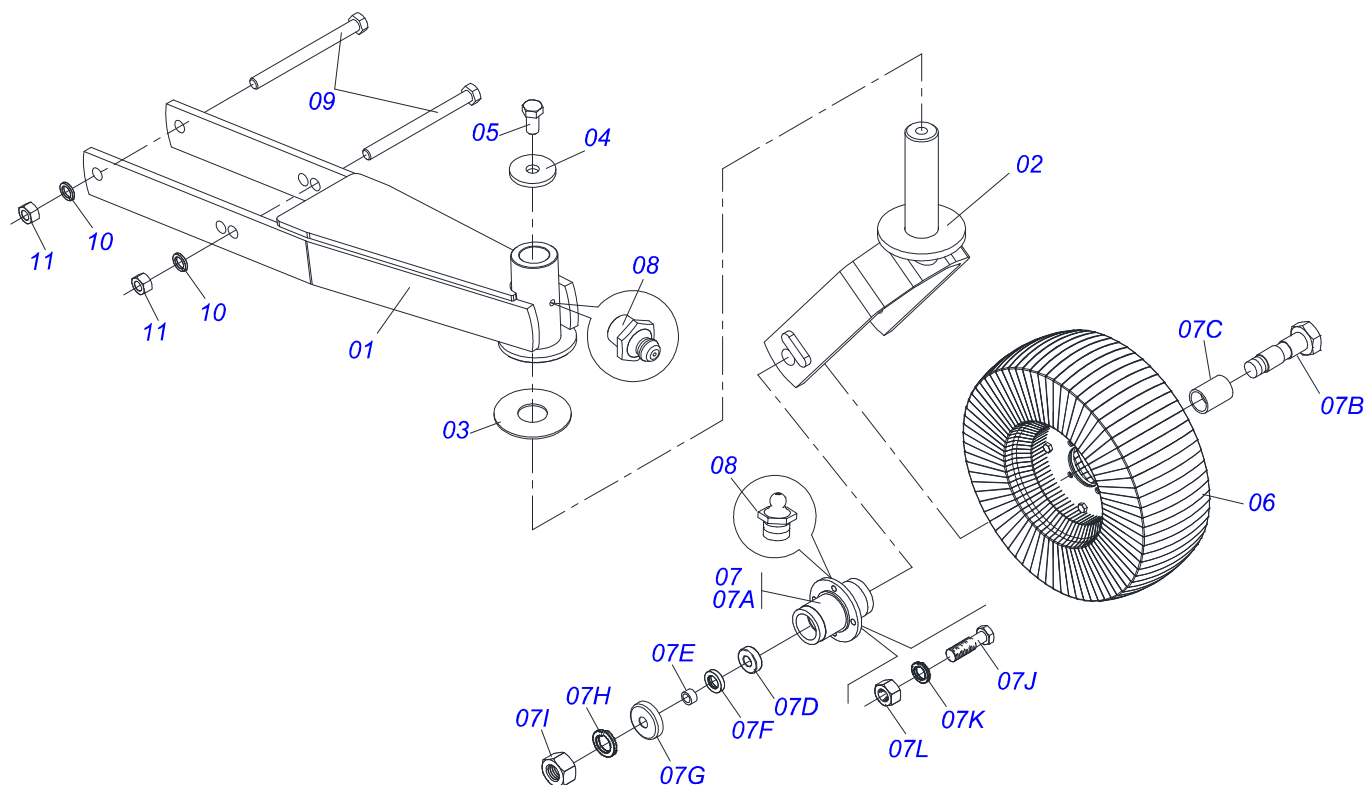
RC2 1500
FRAME ASSY

Page 1
0909091248

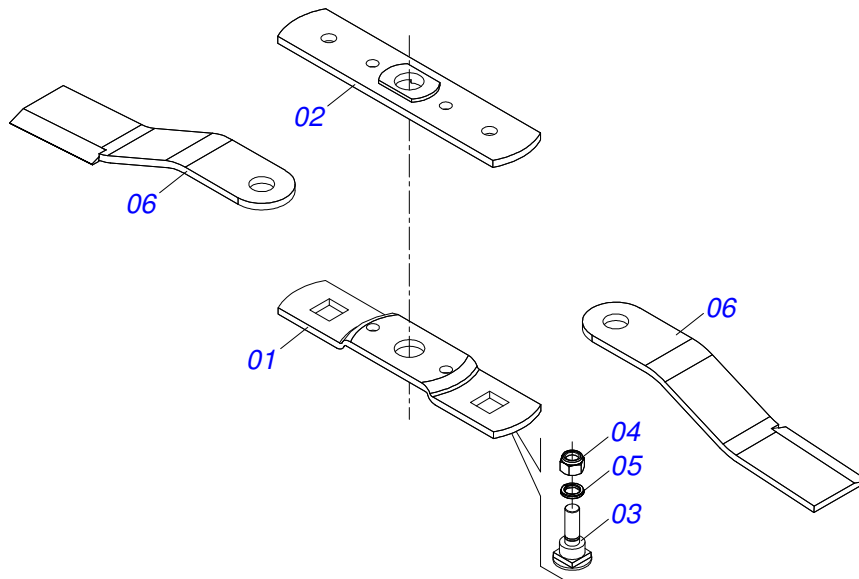
Item	Code	Description	See page	QT
32	0521065849	ATTACHMENT BAR		01
33	0501047949	DRIVE SHAFT	5	01
34	0531017832	PROTECTION COVER		01
35	0511056593	CHAIN PROTECTION		01
35A	0571017657	CHAIN PROTECTION BODY		01
35B	0571017658	PROTECTION CLAW		02
35C	0511011774	8,00 CHAIN 4 LINK		38
36	0511056592	CHAIN PROTECTION		03
36A	0571017654	CHAIN PROTECTION BODY		03
36B	0571017653	PROTECTION CLAW		03
36C	0511011774	8,00 CHAIN 4 LINK		48
36D	0501011600	1/2" X 1-1/4" BOLT		10
36E	0511017302	FLAT WASHER		10
36F	0503010019	1/2" SPRING WASHER		10
36G	0503010020	1/2"NUT		10
36H	0501010942	3/8" X 1-1/4" BOLT		22
36I	0503010025	3/8" SPRING WASHER		22
36J	0503010026	3/8" NUT		22
37	0581011895	FRONT PROTETION FRAME		01
38	0501110186	OIL SMALLER LEVEL INDICATOR		01
39	0501010216	3/4" X 4-1/2" BOLT		02
40	0503010256	3/8" X 3/4" BOLT		04
41	0501010322	FLAT WASHER		01
42	0503011981	17.7" CHAIN WITH HOOK/LINK		01
43	0501043642	RUBBER WHEEL ASSY	3	01



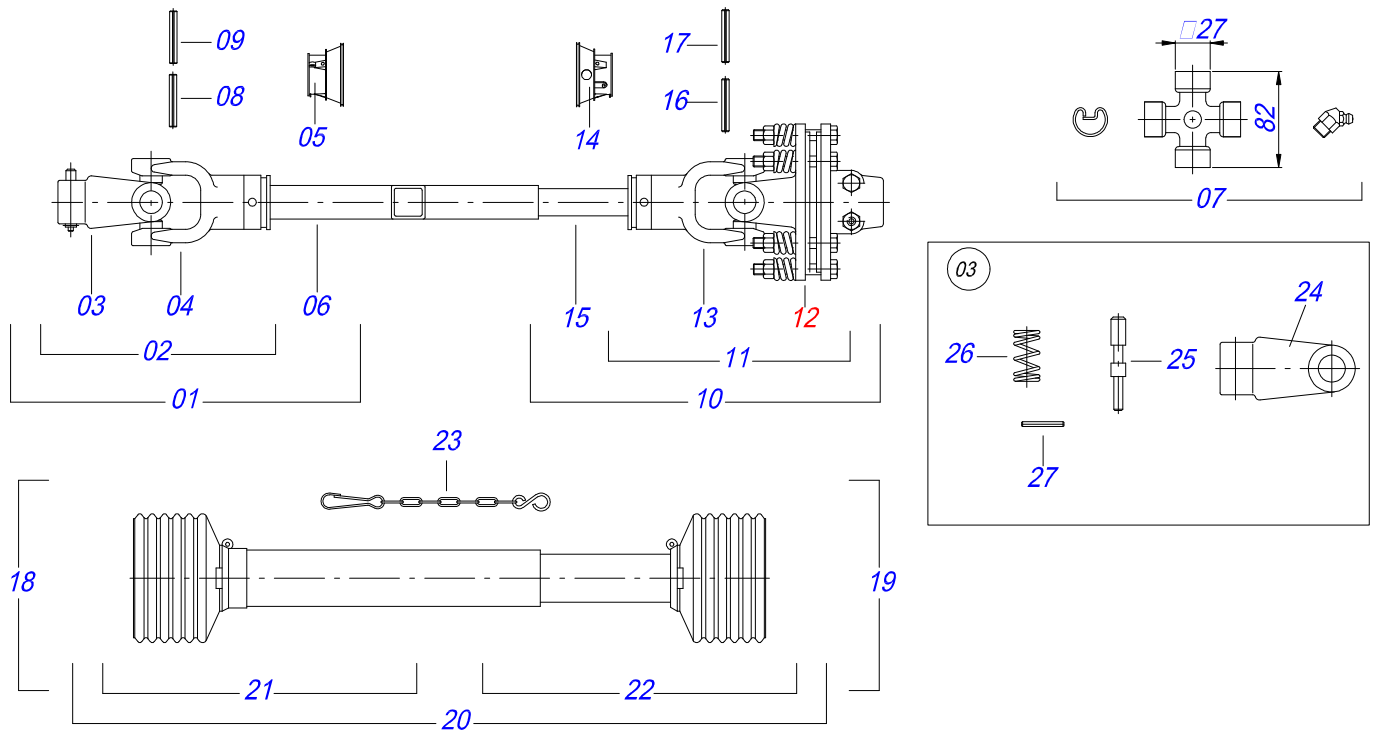
Item	Code	Description	See page	QT
01	0521065281	WHEEL SUPPORT		01
02	0503010795	5/8" X 7" BOLT		02
03	0503010027	5/8" SPRING WASHER		02
04	0503010013	5/8" NUT		02
05	0503010962	5/8" X 1-1/4" BOLT		01
06	0511010721	FLAT WASHER		01
07	0511013239	FLAT WASHER		01
08	0503010002	1800 GREASE FITTING		01
09	0501058460	CARRYING WHEELS		01
09A	0502012519	350 X 100 WHEEL ASSY		01
09B	0501065266	WHELL FORK		01
09C	0501017143	WHEEL AXLE		01
09D	0511014254	DUST CLOAK		02
09E	0503010268	00262-B SEAL		02
09F	0521010487	SPACER WASHER		02
09G	0503010269	6204 BALL BEARING		02
09H	0503010002	1800 GREASE FITTING		01
09I	0521010460	0.9" X 1.1" X 2.9" SLEEVE		01
09J	0503011442	3/4" SPRING WASHER		01
09K	0503010014	3/4" NUT		01



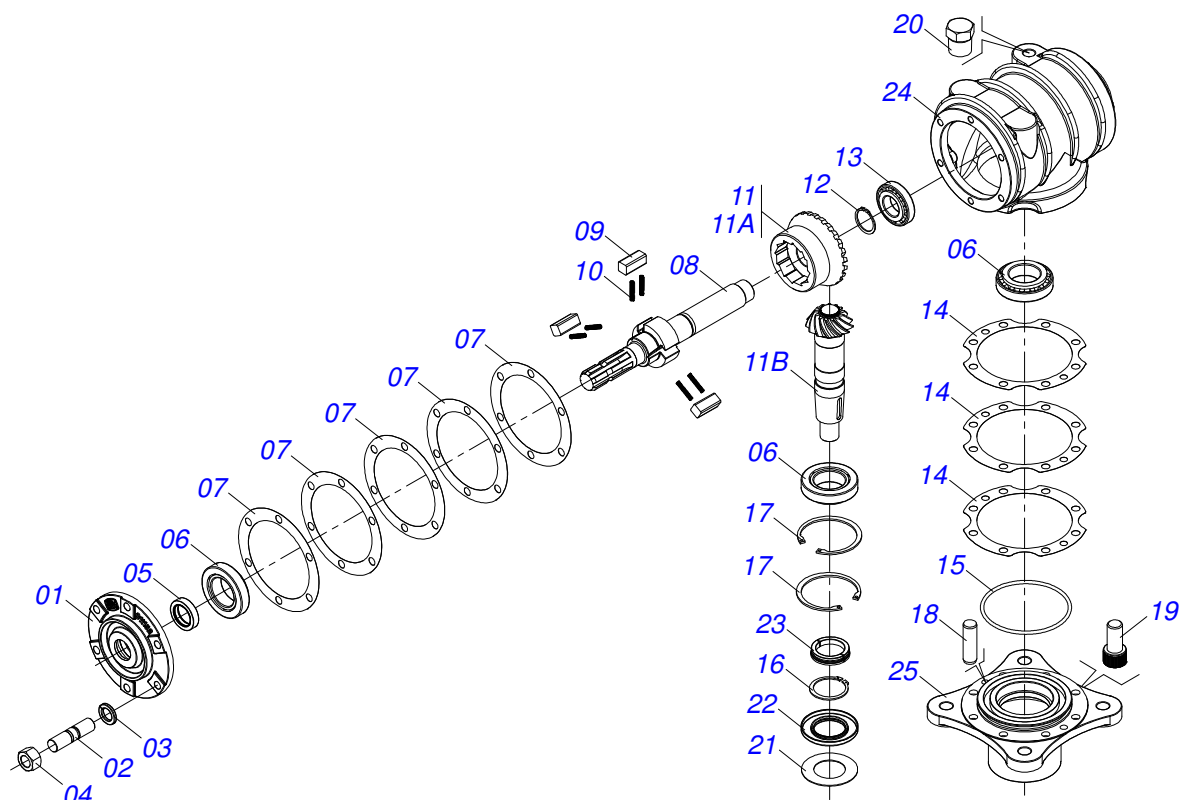
Item	Code	Description	See page	QT
01	0501069375	WHEEL SUPPORT		01
02	0501065266	WHELL FORK		01
03	0511013239	FLAT WASHER		01
04	0511010721	FLAT WASHER		01
05	0503010962	5/8" X 1-1/4" BOLT		01
06	0501050433	TIRE WHELL		01
07	0501051587	WHEELS BOX ASSY		01
07A	0502011286	WHEELS BOX ASSY		01
07B	0501017143	WHEEL AXLE		01
07C	0521010460	0.9" X 1.1" X 2.9" SLEEVE		01
07D	0503010269	6204 BALL BEARING		02
07E	0521010487	SPACER WASHER		02
07F	0503010268	00262-B SEAL		02
07G	0511014254	DUST CLOAK		01
07H	0503010023	3/4" SPRING WASHER		01
07I	0503010014	3/4" NUT		04
07J	0501010080	3/8" BOLT		04
07K	0503010025	3/8" SPRING WASHER		04
07L	0503010026	3/8" NUT		02
08	0503010002	1800 GREASE FITTING		01
09	0503010795	5/8" X 7" BOLT		02
10	0503010027	5/8" SPRING WASHER		02
11	0503010013	5/8" NUT		02



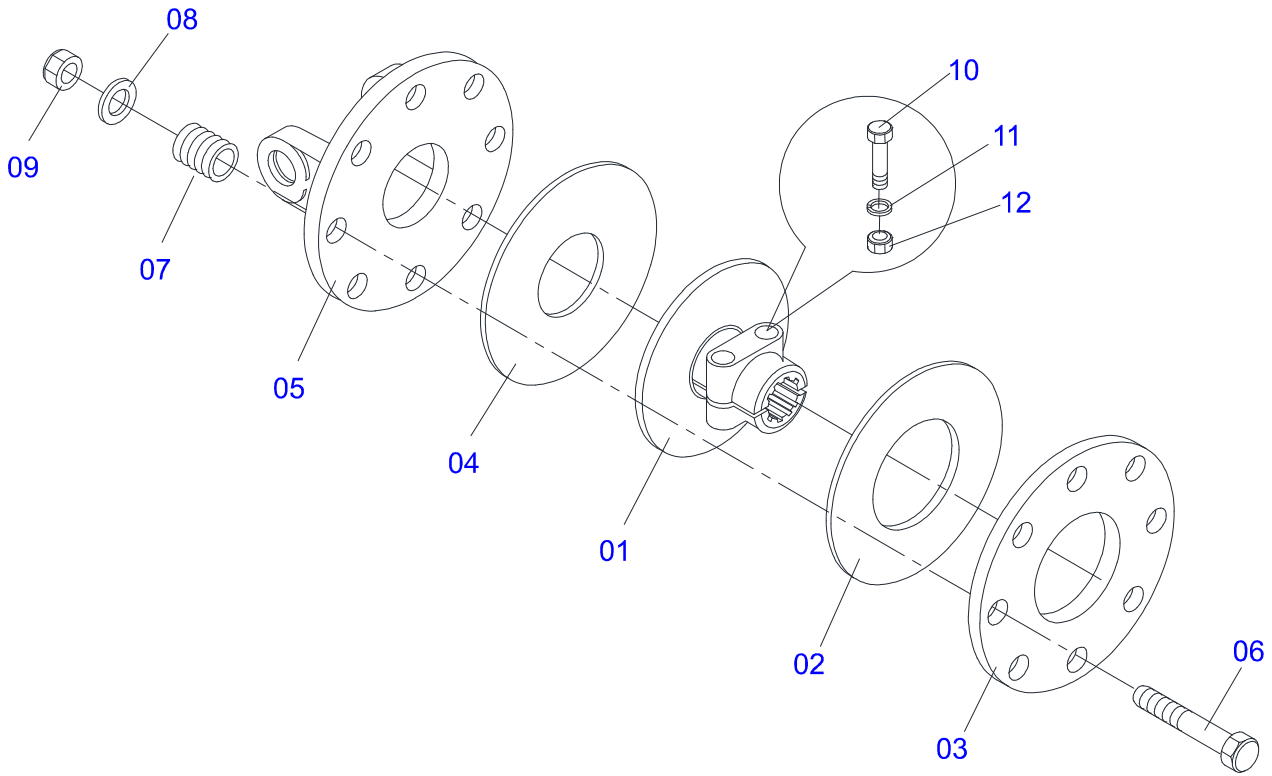
Item	Code	Description	See page	QT
01	0561017368	ROTARY LOWER SUPPORT		01
02	0561017308	SUPPORT UPPER BASE		01
03	0511019000	BOLT		02
04	0503010812	7/8" UNF SELF LOCKING NUT		02
05	0503011447	SPRING WASHER		02
06	0622400054	24.5" X 3.94" X 0.5" ROTARY CUTTER		02



Item	Code	Description	See page	QT
01	0501051715	UNIVERSAL JOINT		01
02	0501050265	UNIVERSAL JOINT		01
03	0501050333	1-40 TERMINAL WITH HITCH		01
04	0502010565	2-40 TERMINAL W/ SH 1.5"/1.5"		01
05	0503012069	ADAPTER FOR BUSHING PROTECT		01
06	0501017429	31" X 1.5" SQUARE SLEEVE		01
07	0503010836	CARDAN CROSSPIECE		02
08	0503011069	0.4" X 2.8" SPRING PIN		01
09	0503010510	0.2" X 2.6" SPRING PIN		01
10	0501051716	UNIVERSAL JOINT WITH SHAFT		01
11	0501050466	UNIVERSAL JOINT WITH CROSSPIECE		01
12	0501043660	FRICION	7	01
13	0502010566	3-40 TERMINAL WITH SH 1.2"/1.2"		01
14	0503012070	ADAPTER FOR AXLE PROTECTION		01
15	0501017425	1.2" X 31.5" SQUARE SHAFT		01
16	0503010361	SPRING PIN		01
17	0503010756	0.2" X 2.4" SPRING PIN		01
18	0501051701	UNIVERSAL JOINT WITH SLEEVE/PROT		01
19	0501051702	UNIVERSAL JOINT WITH AXLE/PROT		01
20	0503012077	PROTECTION ASSY		01
21	0503012078	PROTECTION FOR UNIV JOINT AND SLEEV		01
22	0503012079	PROTECTION FOR UNIV JOINT AND AXLE		01
23	0503012023	CHAIN FOR PROTECTION		02
24	0502010563	1-40 STRIATED 1.3/8" TERMINAL		01
25	0521010638	0.5" X 3.3" QUIC HITCH COUPL SHAFT		01
26	0503030518	0.5"X1.0"X 0.1" COMPRESSION SPRING		01
27	0503010838	0.1" X 0.8" SPRING PIN		01



Item	Code	Description	See page	QT
01	0502011152	SMALLER COVER		01
02	0503030084	1/2" X 1/2" X 2.0" STUD		06
03	0503011440	SPRING WASHER		06
04	0503010028	1/2" NUT		06
05	0503011171	00912-BRG SEAL		01
06	0503010006	32210 ROLLER BEARING		03
07	0503030783	7.1" X 5.3" X 0.008" JOINT		05
08	0503050063	UPPER AXLE		01
09	0501010649	RATCHET CLICK		03
10	0503030051	0.2" X 1" X 0.1" COMPRESSION SPRING		06
11	0503060210	CROWN PINION SET		01
11A	0503050074	25Z CONICAL GEAR		01
11B	0503061048	PINION		01
12	0503010217	501040 CLAMPING RING (FOR AXLE)		01
13	0503010037	30207 ROLLER BEARING		01
14	0503030785	7.9" X 5.9" X 0.008" JOINT		03
15	0503010286	2-355 N 3006-9B O'RING		01
16	0503010396	501060 CLAMPING RING (FOR AXLE)		01
17	0503011190	SEAL RING		02
18	0503017877	PIN GUIDE		02
19	0503010562	1/2" X 1" BOLT		08
20	0503031604	1/2" BSP PLUG		01
21	0521018064	FLAT WASHER		01
22	0503011047	5089 SEAL		01
23	0511010142	LOCK RING		01
24	0502010984	LEFT MULTIPLIER BOX		01
25	0502011393	LOWER HUB		01



Item	Code	Description	See page	QT
01	0503011869	CENTRAL FLANGE		01
02	0503031478	OUTER FRICTION DISC		01
03	0503011870	REAR FLANGE		01
04	0503031474	INNER FRICTION DISC		01
05	0503011868	FRONT FLANGE		01
06	0503010752	1/2" X 3.1/2" BOLT		08
07	0503030630	1.02"X1.3"X0.2" COMPRESSION SPRING		08
08	0511017302	FLAT WASHER		08
09	0503011336	1/2" HEX SELF ADJUSTING NUT		08
10	0503010741	1/2" X 2-3/4" BOLT		02
11	0503010019	1/2" SPRING WASHER		02
12	0503010060	1/2" NUT		02



www.marchesan.com.br



Technical Publications | Elaboration and Revision
ALESSANDRA PATRICIA KAWAHARA CARRILI