

# PARTS CATALOGUE



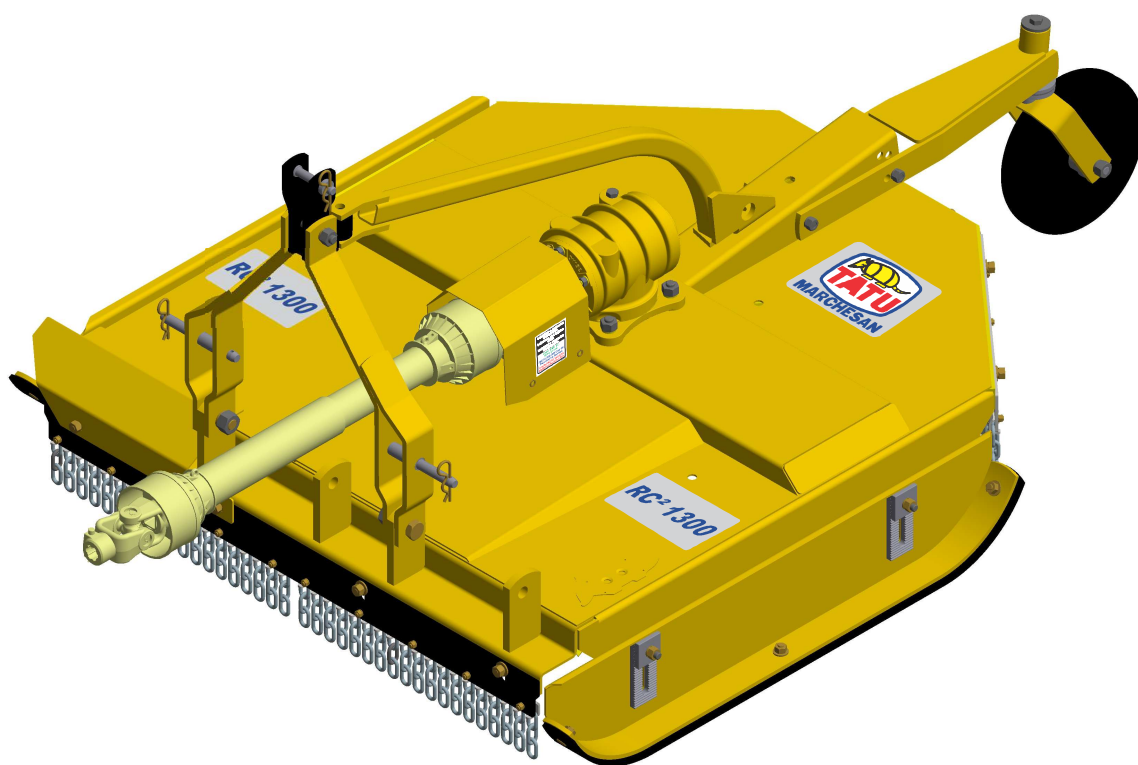
## ROTARY CUTTERS

**Code:**

0501091653

**Product:**

RC2 1300



**Series:**

S-0214

**Revision:**

00

**Date Revision:**

AGOSTO/2019



# PRODUCTS

| Code        | Description                         |
|-------------|-------------------------------------|
| 0104020006  | RC2 1300 C/R C/PROT CORR S-0214     |
| 0104020006C | RC2 1300 C/R C/PROT CORR EXP S-0214 |
| 0104020037  | RC2 1300 C/R S/PROT CORR EXP S-0214 |
| 0104020009  | RC2 1300 S/R C/PROT CORR S-0214     |
| 0104020009C | RC2 1300 S/R C/PROT CORR EXP S-0214 |
| 0104020038  | RC2 1300 S/R S/PROT CORR EXP S-0214 |

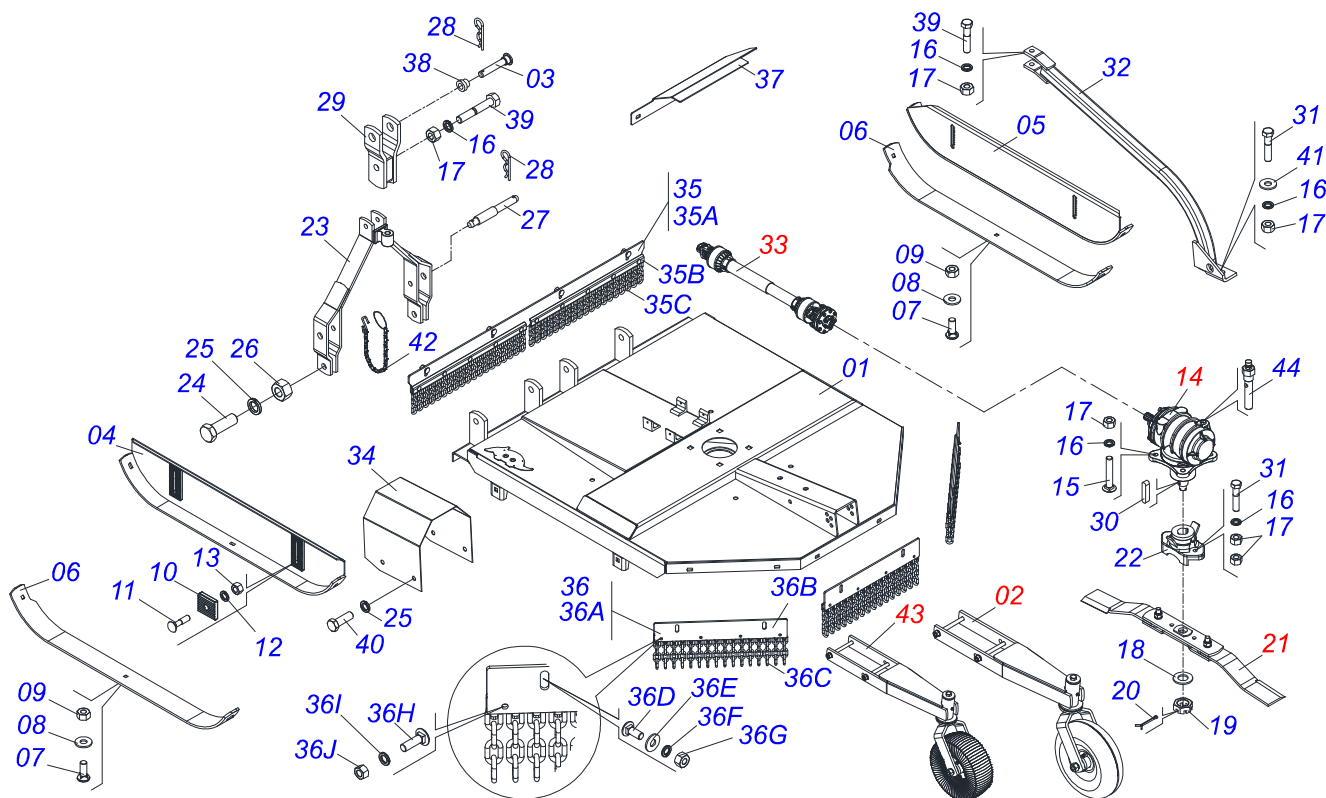
## ATTENTION: IMPORTANT

Marchesan S.A. reserves the right to improve and / or modify the technical features of its products, without obligation to do the same with those products already sold and without prior knowledge of the dealer or the consumer.



# INDEX

|            |                              |       |   |
|------------|------------------------------|-------|---|
| 0909093450 | FRAME ASSY                   | ..... | 1 |
| 0511047301 | CARRYING WHEELS ASSY         | ..... | 2 |
| 0501043642 | RUBBER WHEEL ASSY            | ..... | 3 |
| 0501056322 | SUPPORT ROTARY CUTTER BLADES | ..... | 4 |
| 0501047949 | DRIVE SHAFT                  | ..... | 5 |
| 0501043660 | FRICTION                     | ..... | 6 |
| 0501046851 | MULTIPLIER                   | ..... | 7 |



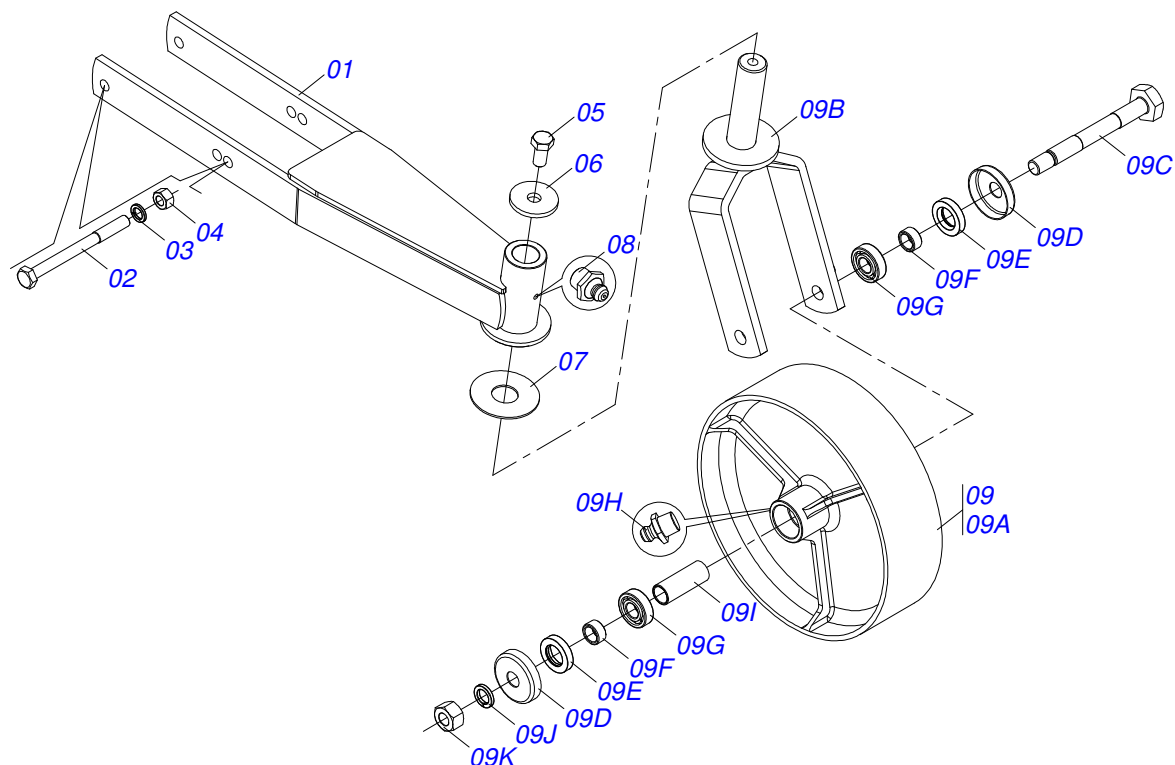
| Item | Code       | Description                  | See page | QT |
|------|------------|------------------------------|----------|----|
| 01   | 0521064694 | FRAME                        |          | 01 |
| 02   | 0511047301 | CARRYING WHEELS ASSY         | 2        | 01 |
| 03   | 0521013938 | HITCH AXLE                   |          | 01 |
| 04   | 0521066191 | SKATE 1270 RO2 1700          |          | 01 |
| 05   | 0521067012 | RIGHT SKATE (1270)           |          | 01 |
| 06   | 0531019433 | SKID GUIDE                   |          | 02 |
| 07   | 0503012956 | 1/2" X 1-1/2" BOLT           |          | 06 |
| 08   | 0511017302 | FLAT WASHER                  |          | 06 |
| 09   | 0503010020 | 1/2"NUT                      |          | 06 |
| 10   | 0502010083 | SQUARE WASHER                |          | 04 |
| 11   | 0501014177 | 5/8" X 2-1/2" BOLT           |          | 04 |
| 12   | 0503010027 | 5/8" SPRING WASHER           |          | 04 |
| 13   | 0503010013 | 5/8" NUT                     |          | 04 |
| 14   | 0501046851 | MULTIPLIER                   | 7        | 01 |
| 15   | 0503013122 | 3/4" X 4-1/4" BOLT           |          | 04 |
| 16   | 0503010023 | 3/4" SPRING WASHER           |          | 07 |
| 17   | 0503010014 | 3/4" NUT                     |          | 07 |
| 18   | 0501017779 | 32 X 60 X 4.75 FLAT WASHER   |          | 01 |
| 19   | 0503011052 | 1.1/4" X 0.77" CASTLE NUT    |          | 01 |
| 20   | 0503010131 | 3/16" X 1-1/2" COTTERPIN     |          | 01 |
| 21   | 0501056322 | SUPPORT ROTARY CUTTER BLADES | 4        | 01 |
| 22   | 0502012453 | SUPPORT FLANGE               |          | 01 |
| 23   | 0501065395 | DRAWBAR                      |          | 01 |
| 24   | 0501010276 | BOLT                         |          | 02 |
| 25   | 0503010012 | 1" SPRING WASHER             |          | 02 |
| 26   | 0501010059 | 1.5/8 NUT                    |          | 02 |
| 27   | 0521013311 | RC2 1300 AXLE                |          | 02 |
| 28   | 0503031035 | HAIR PIN                     |          | 02 |
| 29   | 0501060330 | PIVOT DOUBLE BAR             |          | 01 |
| 30   | 0501010536 | KEYWAY SQUARE                |          | 01 |
| 31   | 0503010901 | 3/4UNC 3.1/2 BOLT            |          | 01 |



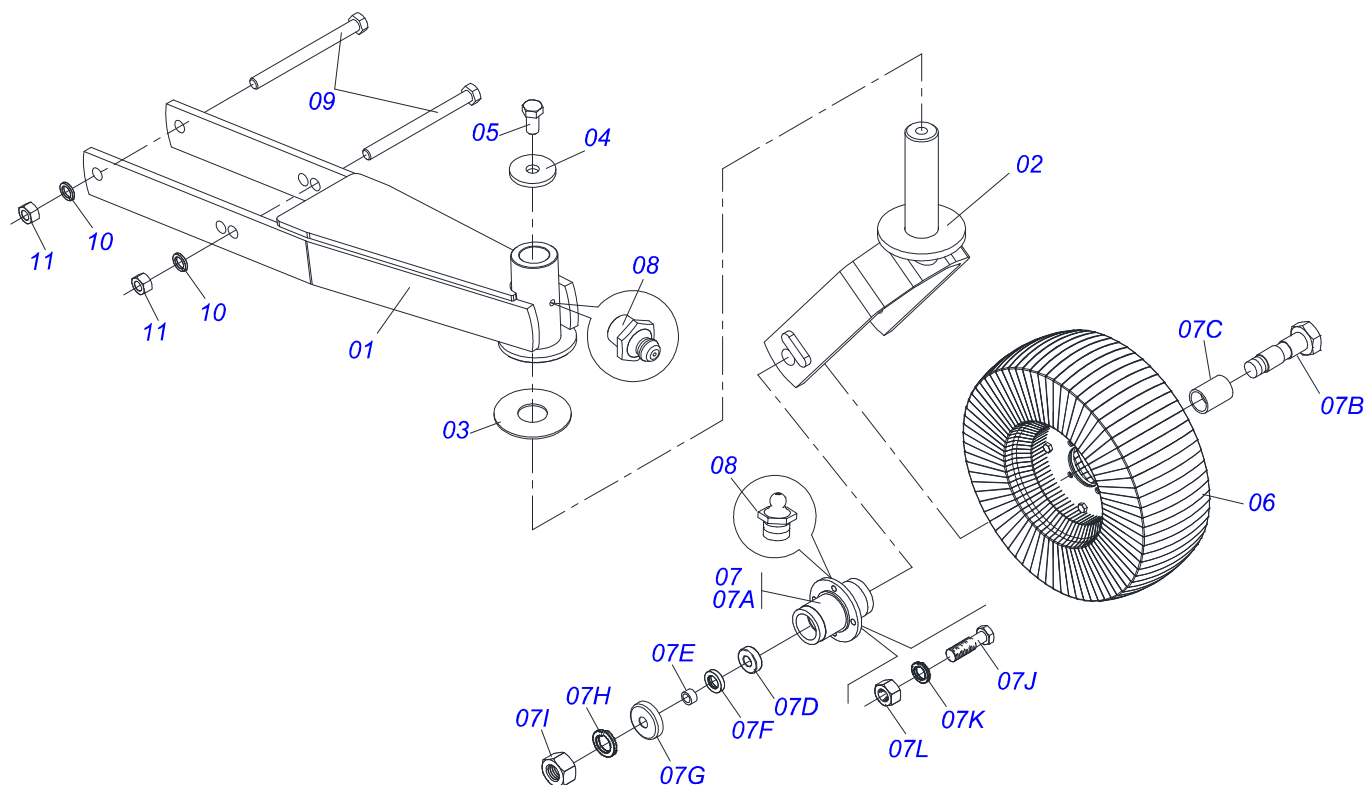
RC2 1300  
FRAME ASSY

Page 1  
0909093450

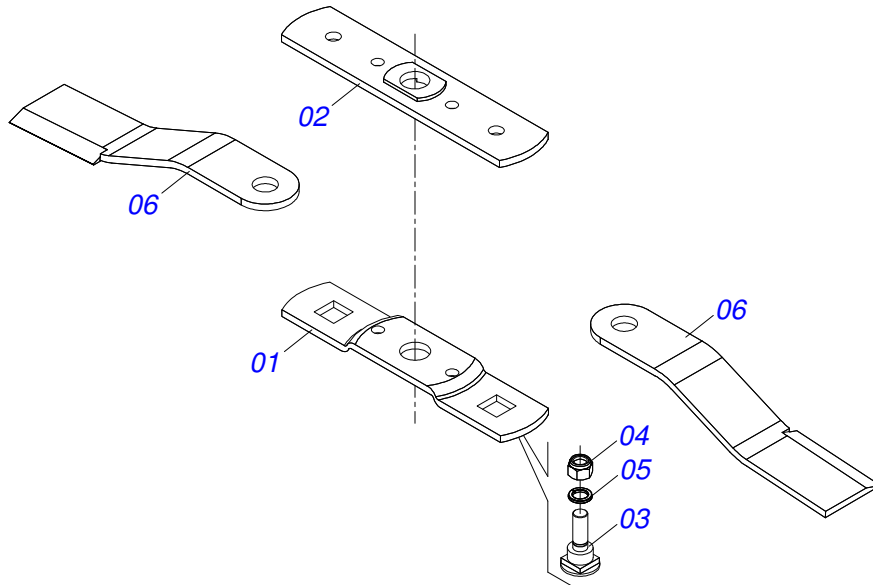
| Item | Code       | Description                 | See page | QT |
|------|------------|-----------------------------|----------|----|
| 32   | 0521065849 | ATTACHMENT BAR              |          | 01 |
| 33   | 0501047949 | DRIVE SHAFT                 | 5        | 01 |
| 34   | 0531017832 | PROTECTION COVER            |          | 01 |
| 35   | 0511054732 | PROTECTION COVER            |          | 01 |
| 35A  | 0571015426 | CHAIN PROTECTION BODY       |          | 01 |
| 35B  | 0571015430 | CLAW PROTECTION CHAIN       |          | 02 |
| 35C  | 0511011774 | 8,00 CHAIN 4 LINK           |          | 38 |
| 36   | 0511054751 | CURRENT PROTECTION          |          | 03 |
| 36A  | 0571015268 | CHAIN PROTECTION BODY       |          | 03 |
| 36B  | 0571015267 | CLAW PROTECTION CHAIN       |          | 03 |
| 36C  | 0511011774 | 8,00 CHAIN 4 LINK           |          | 48 |
| 36D  | 0501011600 | 1/2" X 1-1/4" BOLT          |          | 10 |
| 36E  | 0511017302 | FLAT WASHER                 |          | 10 |
| 36F  | 0503010019 | 1/2" SPRING WASHER          |          | 10 |
| 36G  | 0503010020 | 1/2"NUT                     |          | 10 |
| 36H  | 0501010942 | 3/8" X 1-1/4" BOLT          |          | 22 |
| 36I  | 0503010025 | 3/8" SPRING WASHER          |          | 22 |
| 36J  | 0503010026 | 3/8" NUT                    |          | 22 |
| 37   | 0571016119 | FRONT PROTECTION            |          | 01 |
| 38   | 0521010443 | 1" SLEEVE                   |          | 01 |
| 39   | 0501010216 | 3/4" X 4-1/2" BOLT          |          | 02 |
| 40   | 0503010256 | 3/8" X 3/4" BOLT            |          | 04 |
| 41   | 0501010322 | FLAT WASHER                 |          | 01 |
| 42   | 0503011981 | 17.7" CHAIN WITH HOOK/LINK  |          | 01 |
| 43   | 0501043642 | RUBBER WHEEL ASSY           | 3        | 01 |
| 44   | 0501110186 | OIL SMALLER LEVEL INDICATOR |          | 01 |



| Item | Code       | Description               | See page | QT |
|------|------------|---------------------------|----------|----|
| 01   | 0521065281 | WHEEL SUPPORT             |          | 01 |
| 02   | 0503010795 | 5/8" X 7" BOLT            |          | 02 |
| 03   | 0503010027 | 5/8" SPRING WASHER        |          | 02 |
| 04   | 0503010013 | 5/8" NUT                  |          | 02 |
| 05   | 0503010962 | 5/8" X 1-1/4" BOLT        |          | 01 |
| 06   | 0511010721 | FLAT WASHER               |          | 01 |
| 07   | 0511013239 | FLAT WASHER               |          | 01 |
| 08   | 0503010002 | 1800 GREASE FITTING       |          | 01 |
| 09   | 0501058460 | CARRYING WHEELS           |          | 01 |
| 09A  | 0502012519 | 350 X 100 WHEEL ASSY      |          | 01 |
| 09B  | 0501065266 | WHELL FORK                |          | 01 |
| 09C  | 0501017143 | WHEEL AXLE                |          | 01 |
| 09D  | 0511014254 | DUST CLOAK                |          | 02 |
| 09E  | 0503010268 | 00262-B SEAL              |          | 02 |
| 09F  | 0521010487 | SPACER WASHER             |          | 02 |
| 09G  | 0503010269 | 6204 BALL BEARING         |          | 02 |
| 09H  | 0503010002 | 1800 GREASE FITTING       |          | 01 |
| 09I  | 0521010460 | 0.9" X 1.1" X 2.9" SLEEVE |          | 01 |
| 09J  | 0503011442 | 3/4" SPRING WASHER        |          | 01 |
| 09K  | 0503010014 | 3/4" NUT                  |          | 01 |

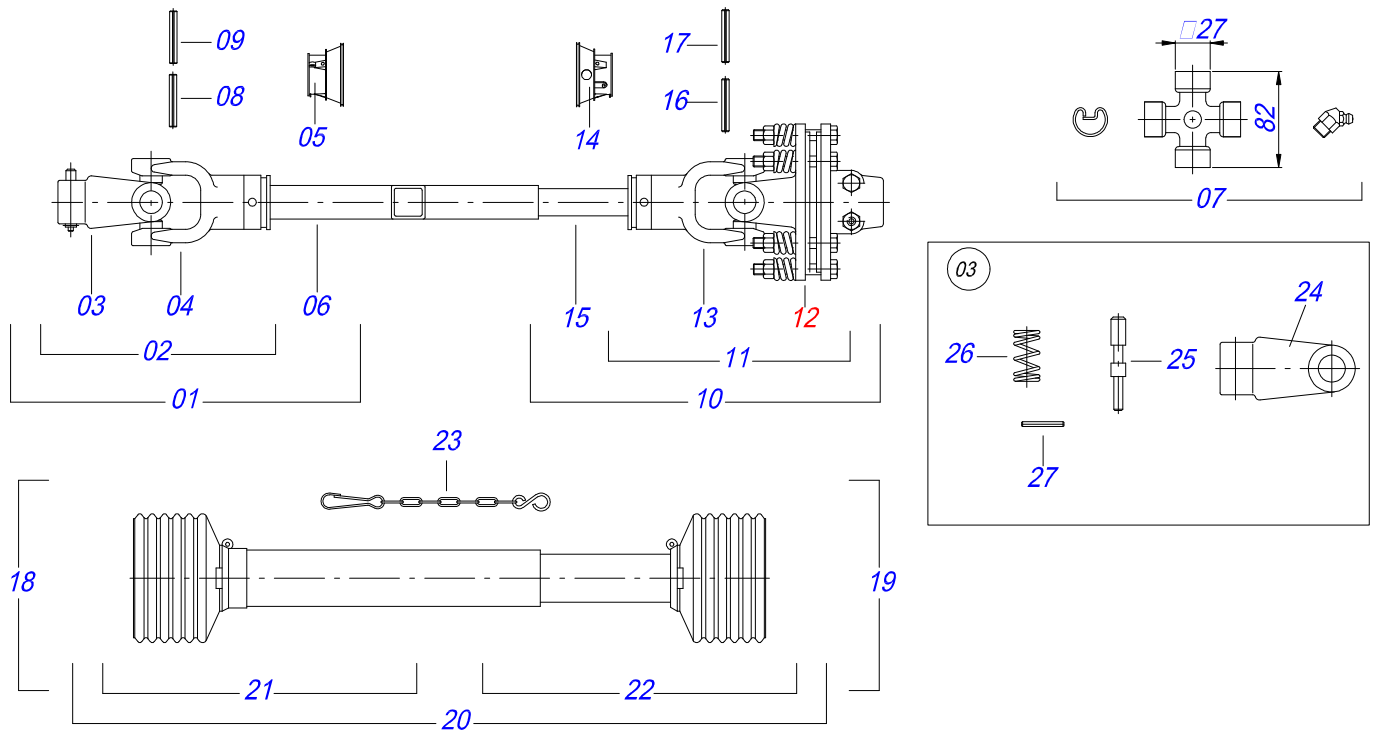


| Item | Code       | Description               | See page | QT |
|------|------------|---------------------------|----------|----|
| 01   | 0501069375 | WHEEL SUPPORT             |          | 01 |
| 02   | 0501065266 | WHELL FORK                |          | 01 |
| 03   | 0511013239 | FLAT WASHER               |          | 01 |
| 04   | 0511010721 | FLAT WASHER               |          | 01 |
| 05   | 0503010962 | 5/8" X 1-1/4" BOLT        |          | 01 |
| 06   | 0501050433 | TIRE WHELL                |          | 01 |
| 07   | 0501051587 | WHEELS BOX ASSY           |          | 01 |
| 07A  | 0502011286 | WHEELS BOX ASSY           |          | 01 |
| 07B  | 0501017143 | WHEEL AXLE                |          | 01 |
| 07C  | 0521010460 | 0.9" X 1.1" X 2.9" SLEEVE |          | 01 |
| 07D  | 0503010269 | 6204 BALL BEARING         |          | 02 |
| 07E  | 0521010487 | SPACER WASHER             |          | 02 |
| 07F  | 0503010268 | 00262-B SEAL              |          | 02 |
| 07G  | 0511014254 | DUST CLOAK                |          | 01 |
| 07H  | 0503010023 | 3/4" SPRING WASHER        |          | 01 |
| 07I  | 0503010014 | 3/4" NUT                  |          | 04 |
| 07J  | 0501010080 | 3/8" BOLT                 |          | 04 |
| 07K  | 0503010025 | 3/8" SPRING WASHER        |          | 04 |
| 07L  | 0503010026 | 3/8" NUT                  |          | 02 |
| 08   | 0503010002 | 1800 GREASE FITTING       |          | 01 |
| 09   | 0503010795 | 5/8" X 7" BOLT            |          | 02 |
| 10   | 0503010027 | 5/8" SPRING WASHER        |          | 02 |
| 11   | 0503010013 | 5/8" NUT                  |          | 02 |

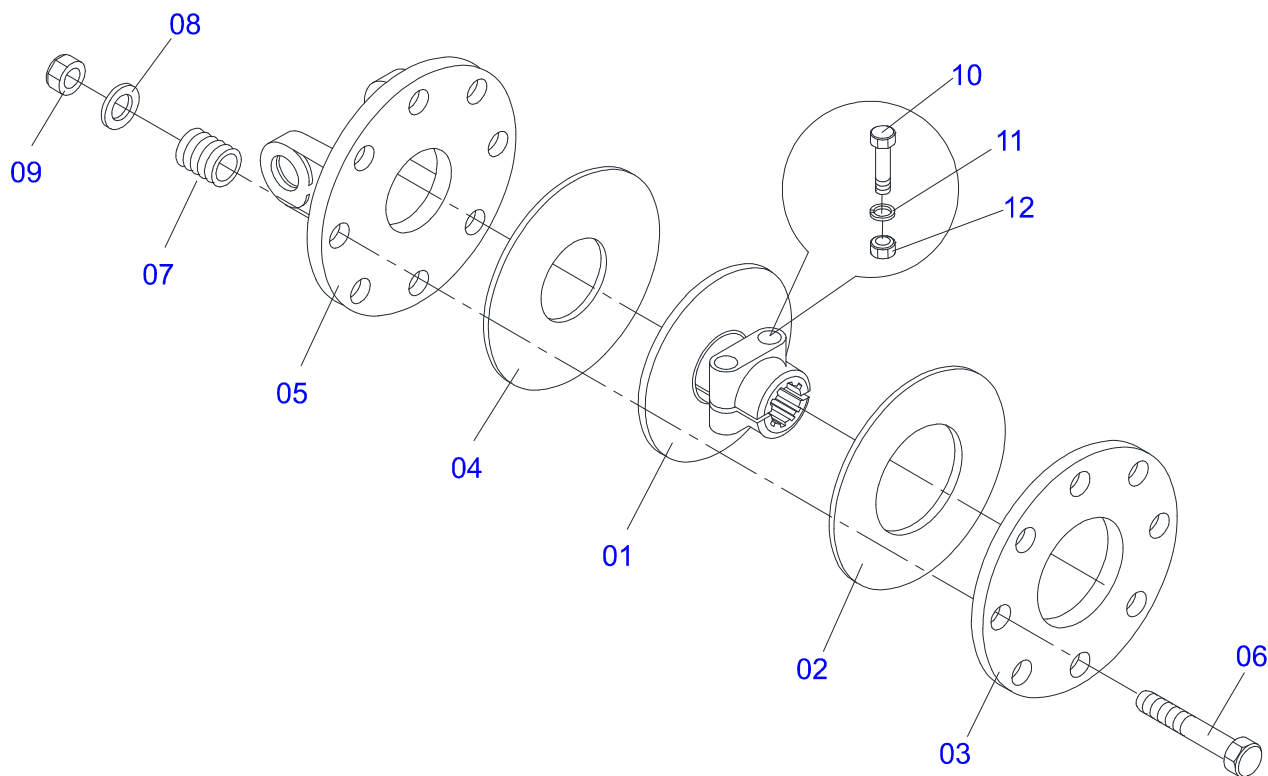


| Item | Code       | Description                        | See page | QT |
|------|------------|------------------------------------|----------|----|
| 01   | 0561017368 | ROTARY LOWER SUPPORT               |          | 01 |
| 02   | 0561017308 | SUPPORT UPPER BASE                 |          | 01 |
| 03   | 0511019000 | BOLT                               |          | 02 |
| 04   | 0503010812 | 7/8" UNF SELF LOCKING NUT          |          | 02 |
| 05   | 0503011447 | SPRING WASHER                      |          | 02 |
| 06   | 0622400053 | 20.5" X 3.94" X 0.5" ROTARY CUTTER |          | 02 |

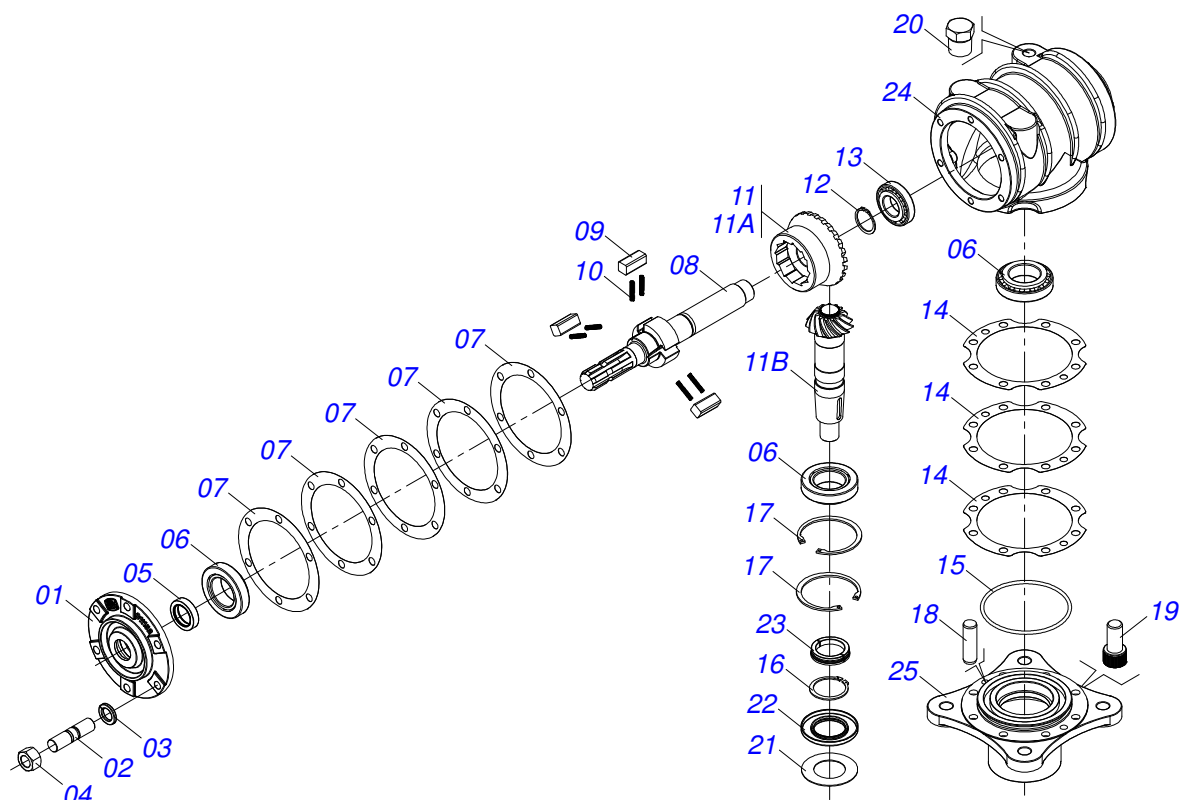




| Item | Code       | Description                         | See page | QT |
|------|------------|-------------------------------------|----------|----|
| 01   | 0501051715 | UNIVERSAL JOINT                     |          | 01 |
| 02   | 0501050265 | UNIVERSAL JOINT                     |          | 01 |
| 03   | 0501050333 | 1-40 TERMINAL WITH HITCH            |          | 01 |
| 04   | 0502010565 | 2-40 TERMINAL W/ SH 1.5"/1.5"       |          | 01 |
| 05   | 0503012069 | ADAPTER FOR BUSHING PROTECT         |          | 01 |
| 06   | 0501017429 | 31" X 1.5" SQUARE SLEEVE            |          | 01 |
| 07   | 0503010836 | CARDAN CROSSPIECE                   |          | 02 |
| 08   | 0503011069 | 0.4" X 2.8" SPRING PIN              |          | 01 |
| 09   | 0503010510 | 0.2" X 2.6" SPRING PIN              |          | 01 |
| 10   | 0501051716 | UNIVERSAL JOINT WITH SHAFT          |          | 01 |
| 11   | 0501050466 | UNIVERSAL JOINT WITH CROSSPIECE     |          | 01 |
| 12   | 0501043660 | FRICITION                           | 6        | 01 |
| 13   | 0502010566 | 3-40 TERMINAL WITH SH 1.2"/1.2"     |          | 01 |
| 14   | 0503012070 | ADAPTER FOR AXLE PROTECTION         |          | 01 |
| 15   | 0501017425 | 1.2" X 31.5" SQUARE SHAFT           |          | 01 |
| 16   | 0503010361 | SPRING PIN                          |          | 01 |
| 17   | 0503010756 | 0.2" X 2.4" SPRING PIN              |          | 01 |
| 18   | 0501051701 | UNIVERSAL JOINT WITH SLEEVE/PROT    |          | 01 |
| 19   | 0501051702 | UNIVERSAL JOINT WITH AXLE/PROT      |          | 01 |
| 20   | 0503012077 | PROTECTION ASSY                     |          | 01 |
| 21   | 0503012078 | PROTECTION FOR UNIV JOINT AND SLEEV |          | 01 |
| 22   | 0503012079 | PROTECTION FOR UNIV JOINT AND AXLE  |          | 01 |
| 23   | 0503012023 | CHAIN FOR PROTECTION                |          | 02 |
| 24   | 0502010563 | 1-40 STRIATED 1.3/8" TERMINAL       |          | 01 |
| 25   | 0521010638 | 0.5" X 3.3" QUIC HITCH COUPL SHAFT  |          | 01 |
| 26   | 0503030518 | 0.5"X1.0"X 0.1" COMPRESSION SPRING  |          | 01 |
| 27   | 0503010838 | 0.1" X 0.8" SPRING PIN              |          | 01 |



| Item | Code       | Description                        | See page | QT |
|------|------------|------------------------------------|----------|----|
| 01   | 0503011869 | CENTRAL FLANGE                     |          | 01 |
| 02   | 0503031478 | OUTER FRICTION DISC                |          | 01 |
| 03   | 0503011870 | REAR FLANGE                        |          | 01 |
| 04   | 0503031474 | INNER FRICTION DISC                |          | 01 |
| 05   | 0503011868 | FRONT FLANGE                       |          | 01 |
| 06   | 0503010752 | 1/2" X 3.1/2" BOLT                 |          | 08 |
| 07   | 0503030630 | 1.02"X1.3"X0.2" COMPRESSION SPRING |          | 08 |
| 08   | 0511017302 | FLAT WASHER                        |          | 08 |
| 09   | 0503011336 | 1/2" HEX SELF ADJUSTING NUT        |          | 08 |
| 10   | 0503010741 | 1/2" X 2-3/4" BOLT                 |          | 02 |
| 11   | 0503010019 | 1/2" SPRING WASHER                 |          | 02 |
| 12   | 0503010060 | 1/2" NUT                           |          | 02 |



| Item | Code       | Description                         | See page | QT |
|------|------------|-------------------------------------|----------|----|
| 01   | 0502011152 | SMALLER COVER                       |          | 01 |
| 02   | 0503030084 | 1/2" X 1/2" X 2.0" STUD             |          | 06 |
| 03   | 0503011440 | SPRING WASHER                       |          | 06 |
| 04   | 0503010028 | 1/2" NUT                            |          | 06 |
| 05   | 0503011171 | 00912-BRG SEAL                      |          | 01 |
| 06   | 0503010006 | 32210 ROLLER BEARING                |          | 03 |
| 07   | 0503030783 | 7.1" X 5.3" X 0.008" JOINT          |          | 05 |
| 08   | 0503050063 | UPPER AXLE                          |          | 01 |
| 09   | 0501010649 | RATCHET CLICK                       |          | 03 |
| 10   | 0503030051 | 0.2" X 1" X 0.1" COMPRESSION SPRING |          | 06 |
| 11   | 0503060210 | CROWN PINION SET                    |          | 01 |
| 11A  | 0503050074 | 25Z CONICAL GEAR                    |          | 01 |
| 11B  | 0503061048 | PINION                              |          | 01 |
| 12   | 0503010217 | 501040 CLAMPING RING (FOR AXLE)     |          | 01 |
| 13   | 0503010037 | 30207 ROLLER BEARING                |          | 01 |
| 14   | 0503030785 | 7.9" X 5.9" X 0.008" JOINT          |          | 03 |
| 15   | 0503010286 | 2-355 N 3006-9B O'RING              |          | 01 |
| 16   | 0503010396 | 501060 CLAMPING RING (FOR AXLE)     |          | 01 |
| 17   | 0503011190 | SEAL RING                           |          | 02 |
| 18   | 0503017877 | PIN GUIDE                           |          | 02 |
| 19   | 0503010562 | 1/2" X 1" BOLT                      |          | 08 |
| 20   | 0503031604 | 1/2" BSP PLUG                       |          | 01 |
| 21   | 0521018064 | FLAT WASHER                         |          | 01 |
| 22   | 0503011047 | 5089 SEAL                           |          | 01 |
| 23   | 0511010142 | LOCK RING                           |          | 01 |
| 24   | 0502010984 | LEFT MULTIPLIER BOX                 |          | 01 |
| 25   | 0502011393 | LOWER HUB                           |          | 01 |



# ANNOTATION

A series of horizontal lines for writing, starting below the header and extending to the top of the grey footer bar.





[www.marchesan.com.br](http://www.marchesan.com.br)



**Technical Publications | Elaboration and Revision**  
ALESSANDRA PATRICIA KAWAHARA CARRILI