

PARTS CATALOGUE



ROTARY CUTTERS

Code:

0501091641

Product:

RCP2 1500



Series:

S-1195

Revision:

00

Date Revision:

JUNHO/2016



PRODUCTS

Code	Description
0104030009	RCP2 1500 S/R S-1195
0104030009C	RCP2 1500 S/R EXP S-1195

ATTENTION: IMPORTANT

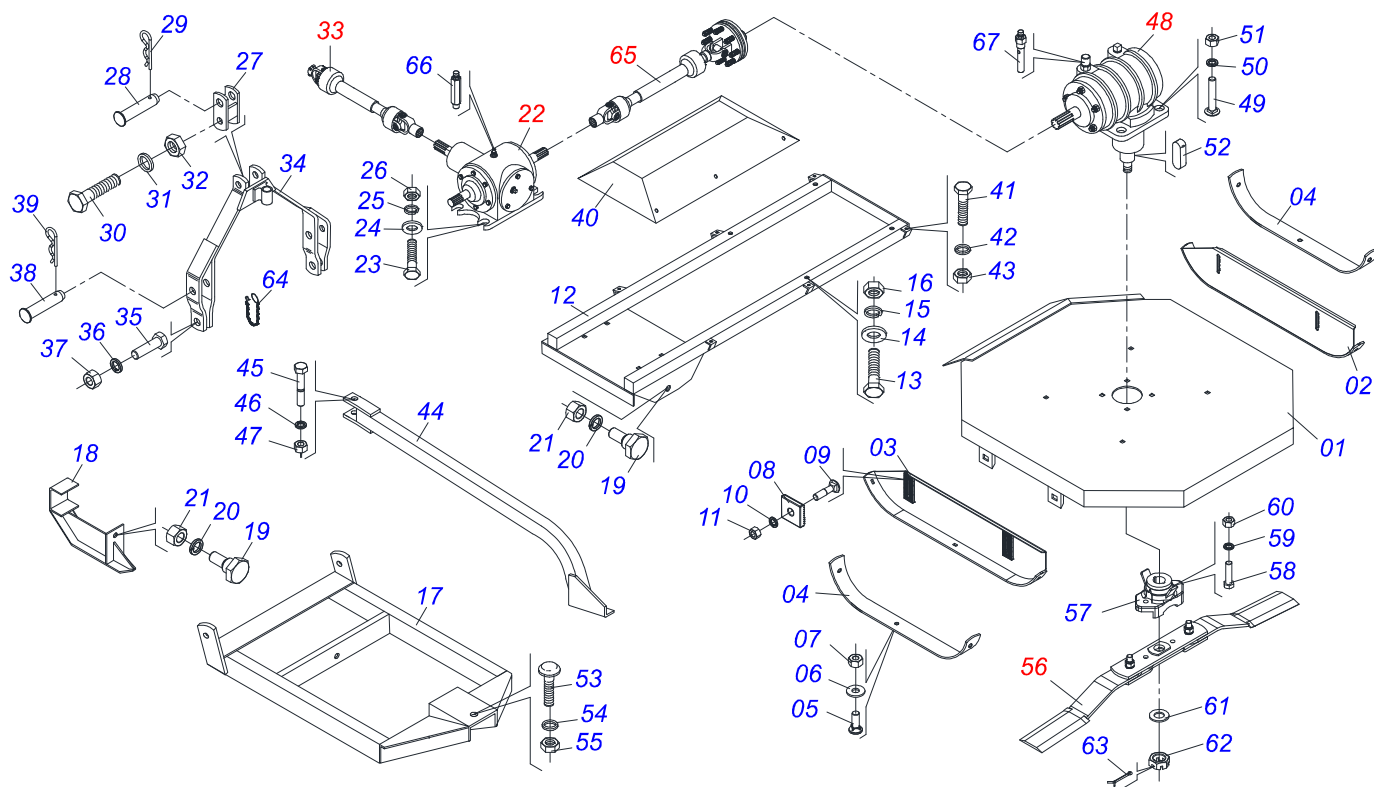
Marchesan S.A. reserves the right to improve and / or modify the technical features of its products, without obligation to do the same with those products already sold and without prior knowledge of the dealer or the consumer.



MARCHESAN

INDEX

0909094594	FRAME ASSY	1
0501043535	DOUBLE DISTRIBUTOR	2
0501047947	DRIVE SHAFT	3
0501046851	MULTIPLIER	4
0501047951	DRIVE SHAFT	5
0501043660	FRICTION	6
0501056321	SUPPORT ROTARY CUTTER BLADES	7
0909091430	(SHEET METAL SUPPORT)SPARE	8

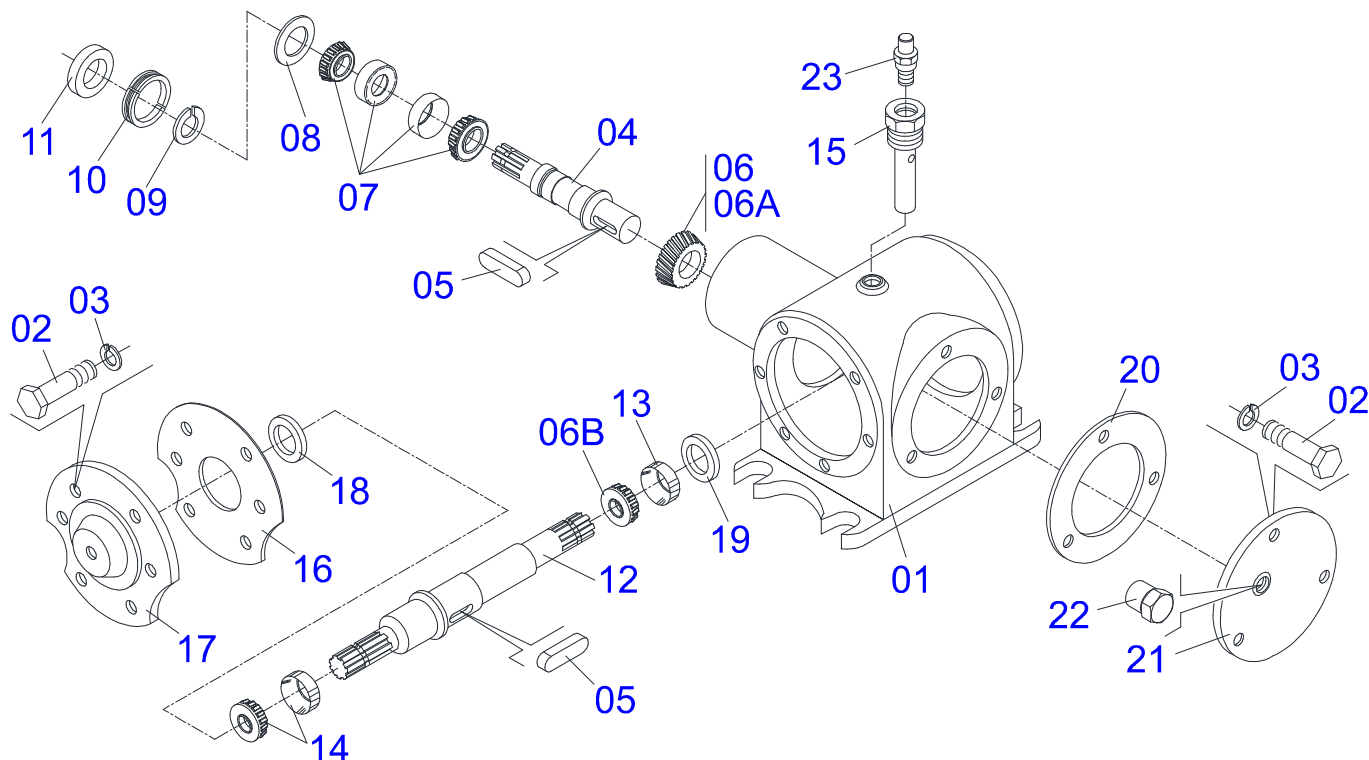


Item	Code	Description	See page	QT
01	0511065171	RCP2 1500 FRAME		01
02	0521066193	RIGHT SKATE		01
03	0521066192	LEFT SKATE		01
04	0531019433	SKID GUIDE		02
05	0503012956	1/2" X 1-1/2" BOLT		04
06	0511017302	FLAT WASHER		04
07	0503010020	1/2"NUT		04
08	0502010083	SQUARE WASHER		04
09	0501014177	5/8" X 2-1/2" BOLT		04
10	0503010027	5/8" SPRING WASHER		04
11	0503010013	5/8" NUT		04
12	0501067852	FRAME SUPPORT		01
13	0503813185			04
14	0501810322	FLAT WASHER		04
15	0503011442	3/4" SPRING WASHER		04
16	0503810014	3/4" NUT		04
17	0511064377	DRAWBAR SUPPORT		01
18	0501063027	MIDDLE SKATE		01
19	0501014685	PIVOT SHAFT		02
20	0503011438	SPRING WASHER		02
21	0503810340	1" UNF NUT		02
22	0501043535	DOUBLE DISTRIBUTOR	2	01
23	0503811084	BOLT		04
24	0501810322	FLAT WASHER		04
25	0503011442	3/4" SPRING WASHER		04
26	0503810014	3/4" NUT		04
27	0501066445	PIVOT DOUBLE BAR		01
28	0521010578	COUPLING SHAFT		01
29	0503031035	HAIR PIN		01
30	0503011198	C3/4" X 6" SCREW		01
31	0503010023	3/4" SPRING WASHER		01

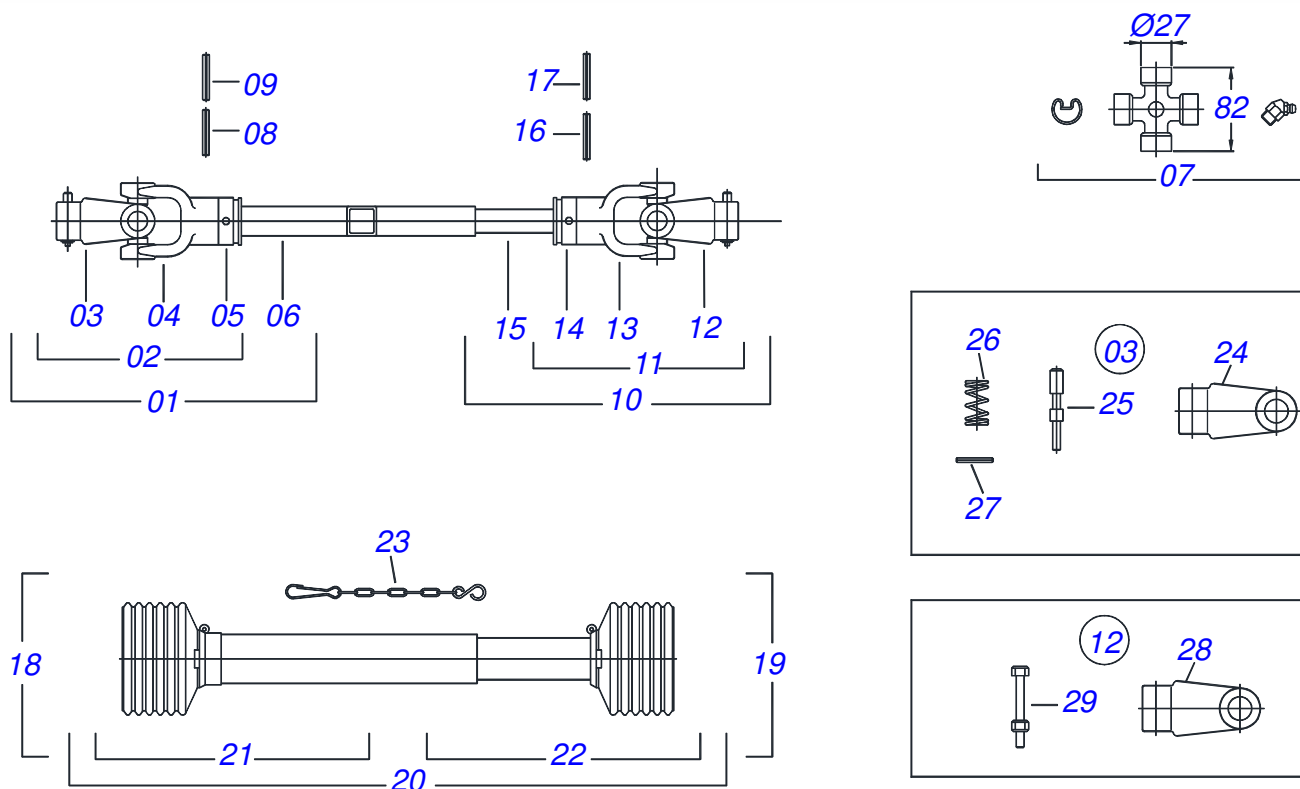


RCP2 1500
FRAME ASSY

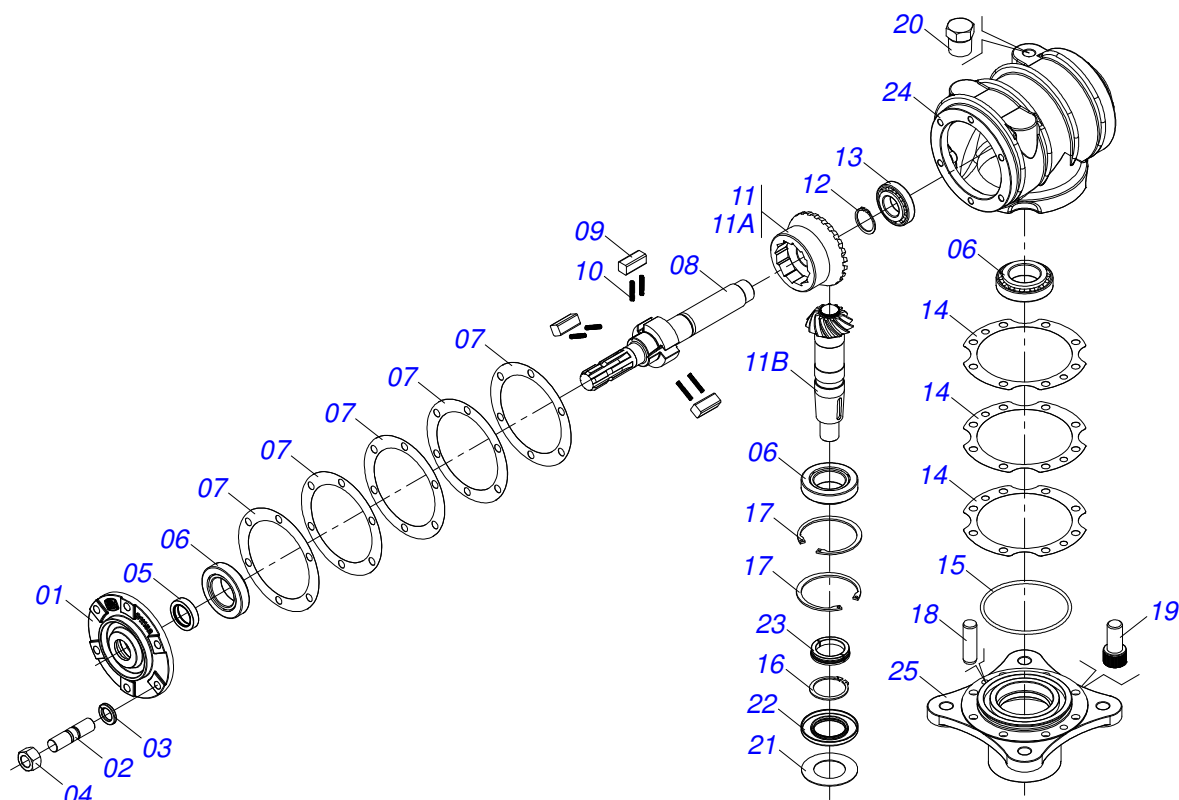
Item	Code	Description	See page	QT
32	0503010014	3/4" NUT		01
33	0501047947	DRIVE SHAFT	3	01
34	0501067832	DRAWBAR		01
35	0503811432	BOLT		02
36	0503011438	SPRING WASHER		02
37	0501810059	1" NUT		02
38	0521010596	COUPLING SHAFT		02
39	0503031035	HAIR PIN		02
40	0511065175	PROTECTION COVER		01
41	0503010256	3/8" X 3/4" BOLT		06
42	0501010984	FLAT WASHER		06
43	0503010025	3/8" SPRING WASHER		06
44	0501067540	FRENCH HAND		01
45	0501817305	SCREW 3/4 UNC X 2.1/4 CAPQ G.5 SA		01
46	0503011442	3/4" SPRING WASHER		01
47	0503810014	3/4" NUT		01
48	0501046851	MULTIPLIER	4	01
49	0503817867	BOLD		04
50	0503011442	3/4" SPRING WASHER		04
51	0503810014	3/4" NUT		04
52	0501010536	KEYWAY SQUARE		02
53	0501810216	3/4" X 4-1/2" BOLT		01
54	0503011442	3/4" SPRING WASHER		01
55	0503810014	3/4" NUT		01
56	0501056321	SUPPORT ROTARY CUTTER BLADES	7	01
57	0502012453	SUPPORT FLANGE		01
58	0503810901	SCREW 3/4 UNC X 3.1/2 C S G.5		02
59	0503011442	3/4" SPRING WASHER		02
60	0503010014	3/4" NUT		02
61	0501817779	FLAT WASHER		01
62	0503811052	1.1/4 UNF X 19,5 SA CASTLE NUT		01
63	0503010131	3/16" X 1-1/2" COTTERPIN		01
64	0503011981	17.7" CHAIN WITH HOOK/LINK		01
65	0501047951	DRIVE SHAFT	5	01
66	0501110843	DOBLE DISTRIBUTOR HOLE		01
67	0501110186	OIL SMALLER LEVEL INDICATOR		01



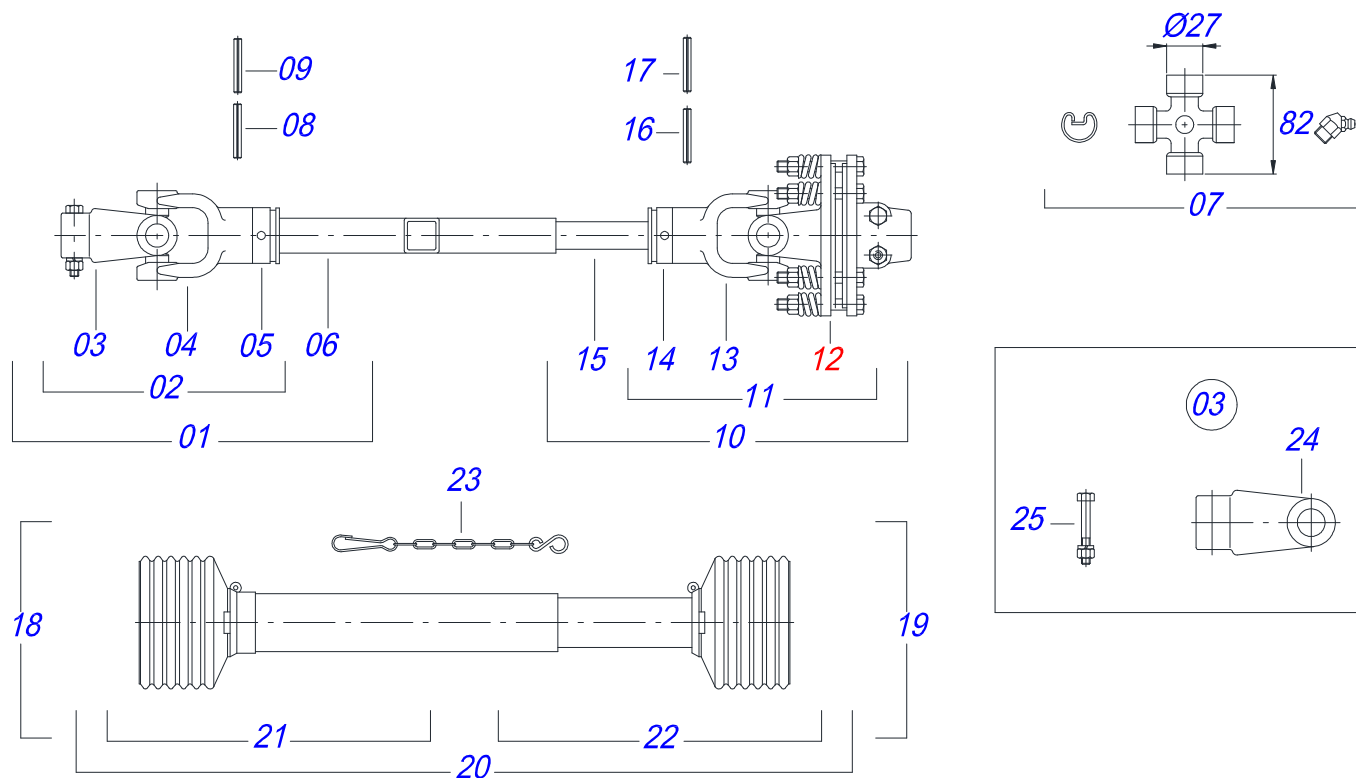
Item	Code	Description	See page
01	0502010801	HOUSING OF THE DISTRIBUTOR DOUBLE	01
02	0503010751	C3/8" X 1.1/4" HEX BOLT G.5	09
03	0503011443	3/8" SPRING WASHER	09
04	0503030111	SMALLER AXLE	01
05	0501012993	0.4" X 1.1"KEYWAY SQUARE	04
06	0503060249	CONICAL GEAR SET FOR DOUBLE DISTRIBUTOR	01
06A	0503030113	15Z RIGHT CONICAL GEAR	01
06B	0503031811	15Z LEFT CONICAL GEAR	01
07	0503010102	25577/25523 ROLLER BEARING	02
08	0501010237	FLAT WASHER	01
09	0503010210	LOCK WASHER	01
10	0503010211	KM- 8 LOCKNUT	01
11	0503010079	5042 SEAL	01
12	0511010103	LARGER AXLE	01
13	0503010312	6207 BALL BEARING	01
14	0503010031	368A/362A ROLLER BEARING	01
15	0521014311	DOBLE DISTRIBUTOR HOLE BODY	01
16	0503030228	7.1" X 5.3" X 0.008" JOINT	02
17	0502020250	FRONT COVER	01
18	0503010082	00274-BG SEAL	01
19	0503010079	5042 SEAL	01
20	0503030341	6.4" X 0.008" JOINT	04
21	0502020160	COVER WITH DOUBLE DISTRIBUTOR	01
22	0503031604	1/2" BSP PLUG	01
23	0503010325	VCA-118 VALVE	01



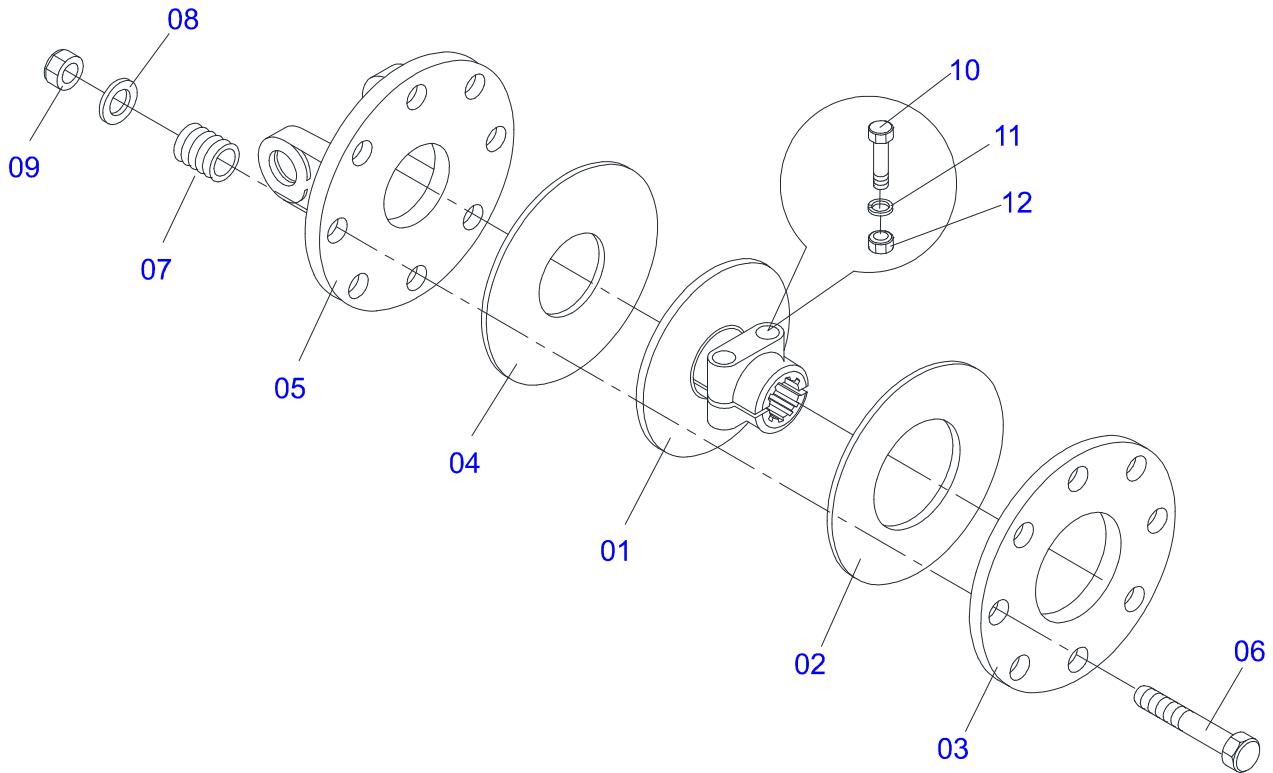
Item	Code	Description	See page
01	0501050271	UNIVERSAL JOINT WITH SLEEVE	01
02	0501050265	UNIVERSAL JOINT	01
03	0501050333	1-40 TERMINAL WITH HITCH	01
04	0502010565	2-40 TERMINAL W/ SH 1.5"/1.5"	01
05	0503012069	ADAPTER FOR BUSHING PROTECT	01
06	0501017429	31" X 1.5" SQUARE SLEEVE	01
07	0503010836	CARDAN CROSSPIECE	01
08	0503011069	0.4" X 2.8" SPRING PIN	01
09	0503010510	0.2" X 2.6" SPRING PIN	01
10	0501050866	UNIVERSAL JOINT WITH SHAFT	01
11	0501050449	UNIVERSAL JOINT	01
12	0501052526	T8-40 TERMINAL WITH SCREW	01
13	0502010566	3-40 TERMINAL WITH SH 1.2"/1.2"	01
14	0503012070	ADAPTER FOR AXLE PROTECTION	01
15	0501017425	1.2" X 31.5" SQUARE SHAFT	01
16	0503010361	SPRING PIN	01
17	0503010756	0.2" X 2.4" SPRING PIN	01
18	0501051696	UNIVERSAL JOINT WITH SLEEVE PROTECTION	01
19	0501051697	UNIVERSAL JOINT WITH AXLE PROTECTION	01
20	0503012071	PROTECTION ASSY	01
21	0503012072	PROTECTION FOR UNIV JOINT AND SLEEV	01
22	0503012073	PLASTIC PROTECTION FOR AXLE JOINT	01
23	0503012023	CHAIN FOR PROTECTION	02
24	0502010563	1-40 STRIATED 1.3/8" TERMINAL	01
25	0521010638	0.5" X 3.3" QUIC HITCH COUPL SHAFT	01
26	0503030518	0.5"X1.0"X 0.1" COMPRESSION SPRING	01
27	0503010838	0.1" X 0.8" SPRING PIN	01
28	0502010876	8-40 STRIATED 1.3/8 TERMINAL	01
29	0501047756	1/2" X 3" SET PARTS	01



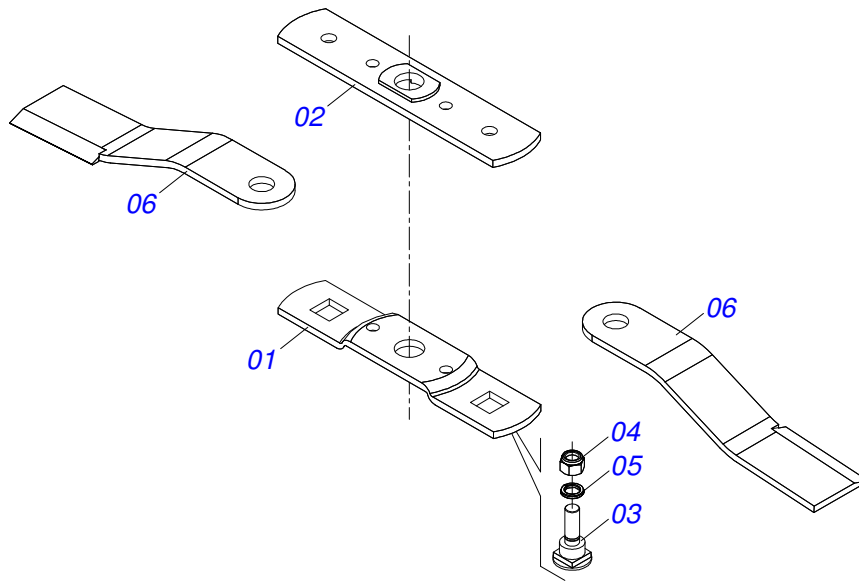
Item	Code	Description	See page	QT
01	0502011152	SMALLER COVER		01
02	0503030084	1/2" X 1/2" X 2.0" STUD		06
03	0503011440	SPRING WASHER		06
04	0503010028	1/2" NUT		06
05	0503011171	00912-BRG SEAL		01
06	0503010006	32210 ROLLER BEARING		03
07	0503030783	7.1" X 5.3" X 0.008" JOINT		05
08	0503050063	UPPER AXLE		01
09	0501010649	RATCHET CLICK		03
10	0503030051	0.2" X 1" X 0.1" COMPRESSION SPRING		06
11	0503060210	CROWN PINION SET		01
11A	0503050074	25Z CONICAL GEAR		01
11B	0503061048	PINION		01
12	0503010217	501040 CLAMPING RING (FOR AXLE)		01
13	0503010037	30207 ROLLER BEARING		01
14	0503030785	7.9" X 5.9" X 0.008" JOINT		03
15	0503010286	2-355 N 3006-9B O'RING		01
16	0503010396	501060 CLAMPING RING (FOR AXLE)		01
17	0503011190	SEAL RING		02
18	0503017877	PIN GUIDE		02
19	0503010562	1/2" X 1" BOLT		08
20	0503031604	1/2" BSP PLUG		01
21	0521018064	FLAT WASHER		01
22	0503011047	5089 SEAL		01
23	0511010142	LOCK RING		01
24	0502010984	LEFT MULTIPLIER BOX		01
25	0502011393	LOWER HUB		01



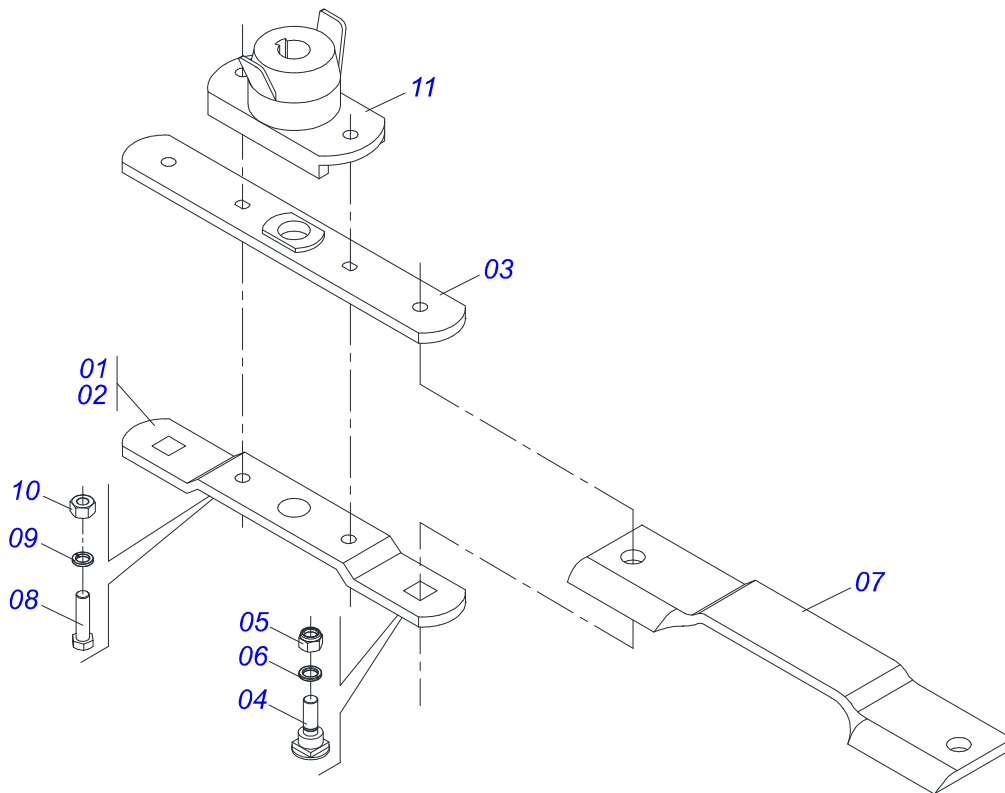
Item	Code	Description	See page
01	0501050861	UNIVERSAL JOINT WITH SLEEVE	01
02	0501050465	UNIVERSAL JOINT	01
03	0501052526	T8-40 TERMINAL WITH SCREW	01
04	0502010565	2-40 TERMINAL W/ SH 1.5"/1.5"	01
05	0503012069	ADAPTER FOR BUSHING PROTECT	01
06	0521013800	16" X 1.4" SQUARE SLEEVE	01
07	0503010836	CARDAN CROSSPIECE	02
08	0503011069	0.4" X 2.8" SPRING PIN	01
09	0503010510	0.2" X 2.6" SPRING PIN	01
10	0501050862	UNIVERSAL JOINT WITH CROSS AND AXLE	01
11	0501050466	UNIVERSAL JOINT WITH CROSSPIECE	01
12	0501043660	FRICTION	6 01
13	0502010566	3-40 TERMINAL WITH SH 1.2"/1.2"	01
14	0503012070	ADAPTER FOR AXLE PROTECTION	01
15	0521013801	1.2" X 15.7" SQUARE SHAFT	01
16	0503010361	SPRING PIN	01
17	0503010756	0.2" X 2.4" SPRING PIN	01
18	0501051703	UNIVERSAL JOINT WITH SLEEVE/PROT	01
19	0501051704	UNIVERSAL JOINT WITH AXLE/PROT	01
20	0503012080	PROTECTION ASSY	01
21	0503012081	PROTECTION FOR UNIV JOINT AND SLEEV	01
22	0503012082	PROTECTION FOR UNIV JOINT AND AXLE	01
23	0503012023	CHAIN FOR PROTECTION	02
24	0502010876	8-40 STRIATED 1.3/8 TERMINAL	01
25	0501047756	1/2" X 3" SET PARTS	01



Item	Code	Description	See page	QT
01	0503011869	CENTRAL FLANGE		01
02	0503031478	OUTER FRICTION DISC		01
03	0503011870	REAR FLANGE		01
04	0503031474	INNER FRICTION DISC		01
05	0503011868	FRONT FLANGE		01
06	0503010752	1/2" X 3.1/2" BOLT		08
07	0503030630	1.02"X1.3"X0.2" COMPRESSION SPRING		08
08	0511017302	FLAT WASHER		08
09	0503011336	1/2" HEX SELF ADJUSTING NUT		08
10	0503010741	1/2" X 2-3/4" BOLT		02
11	0503010019	1/2" SPRING WASHER		02
12	0503010060	1/2" NUT		02



Item	Code	Description	See page	QT
01	0561017368	ROTARY LOWER SUPPORT		01
02	0561017308	SUPPORT UPPER BASE		01
03	0511019000	BOLT		02
04	0503010812	7/8" UNF SELF LOCKING NUT		02
05	0503011447	SPRING WASHER		02
06	0622400054	24.5" X 3.94" X 0.5" ROTARY CUTTER		02



Item	Code	Description	See page	QT
01	0501056326	SUPPORT WITH ROTARY CUTTER BLADES		01
02	0561017368	ROTARY LOWER SUPPORT		01
03	0561017308	SUPPORT UPPER BASE		01
04	0511019000	BOLT		02
05	0503010812	7/8" UNF SELF LOCKING NUT		02
06	0503011447	SPRING WASHER		02
07	0622400057	21.6" X 3.94" X 0.5" ROTARY CUTTER		02
08	0503010901	3/4UNC 3.1/2 BOLT		02
09	0503010023	3/4" SPRING WASHER		02
10	0503010014	3/4" NUT		02
11	0502012453	SUPPORT FLANGE		01



www.marchesan.com.br



Technical Publications | Elaboration and Revision
ALESSANDRA PATRICIA KAWAHARA CARRILI