

PARTS CATALOGUE



PCA - AGRICULTURAL FRONT LOADER

Code:

0501091634

Product:

PCA 1100 MF



Series:

S-0903

Revision:

00

Date Revision:

MAIO/2016



PRODUCTS

Code	Description
0106110635	PCA 1100 MF 297/299-4SHT CD AD S903
0106110636	PCA 1100 MF297/299-4ADV SHTCDSL 903
0106110637	PCA 1100 MF297/299-4SHTCTGSA ADS903
0106110640	PCA/PAC 1100 MF297/299-4ADSHTCDS903

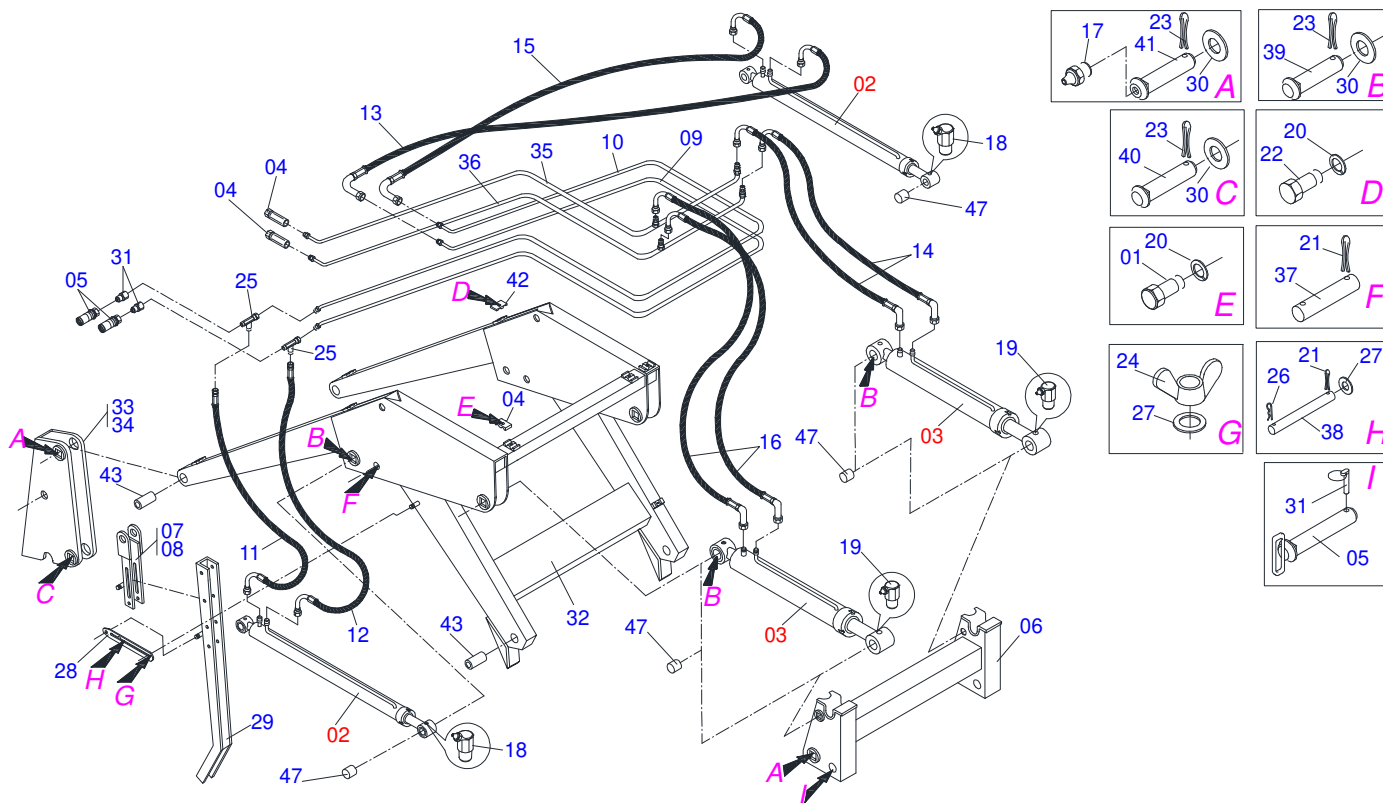
ATTENTION: IMPORTANT

Marchesan S.A. reserves the right to improve and / or modify the technical features of its products, without obligation to do the same with those products already sold and without prior knowledge of the dealer or the consumer.



INDEX

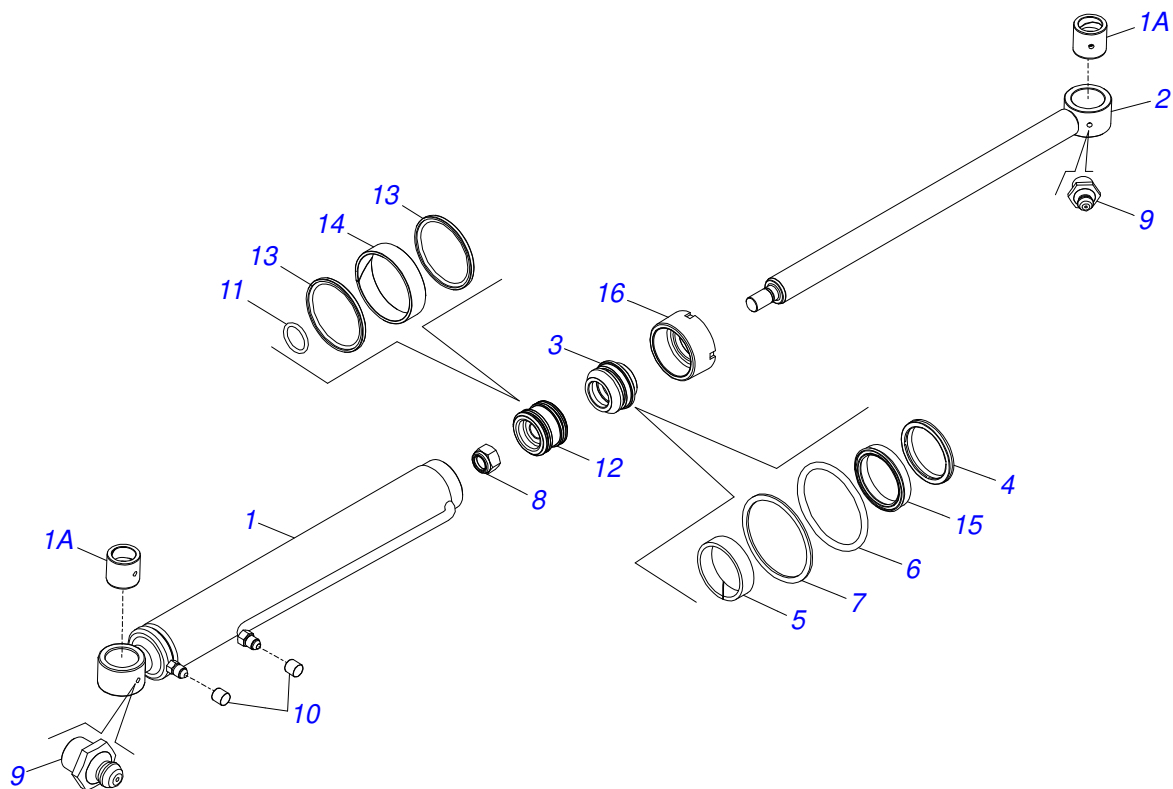
0909094786	1100 MOBILE SUPPORTE BT/SHT	1
0511057973	HIDRAULIC CYLINDER 44,45 X 76,20 X 820 X 551	2
0909094787	HIDRAULIC CIRCUIT SHT 297/299-4 S-903	3
0501048045	PAC 800/1100 COMPL 1900 P ALT S0498	4
0501048065	LDA 2400 FULL - PCA 800	5
0501048063	EAG 800/1100 9 TEETH ASSY S-0597	6
0501048091	GSA 800/1100 ASSY	7
0501047447	HYDRAULIC CYLINDER	8
0501048740	SAE COMPLETE FOR PCA 600/800/1100	9
0501048741	SAB COMPLETE FOR PCA 600/800/1100	10



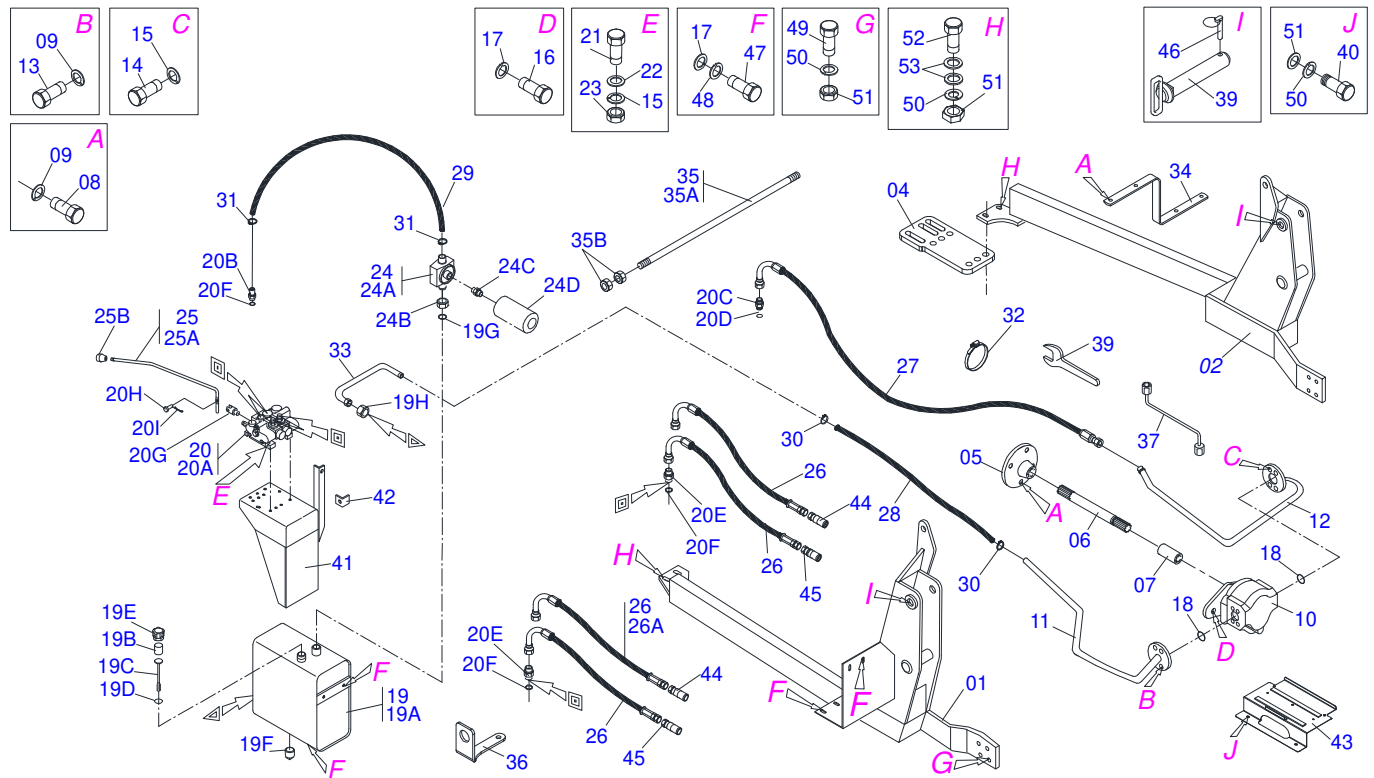
Item	Code	Description	See page	QT
01	0501010096	3/8" X 2" BOLT		04
02	0511057974	44,45 X 85,72 X 870 X 593 HYDRAULIC CYLINDER		02
03	0511057973	HIDRAULIC CYLINDER 44,45 X 76,20 X 820 X 551	2	02
04	0501053834	MALE QUICK COUPLER WITH CAP - 1/2 NPT		02
05	0501053835	FEMALE QUICK COUPLER		02
06	0501069146	JOINT SUPPORT PCA 800		01
07	0501069157	PLOUGH SUPPORT		01
08	0501069158	PLOUGH SUPPORT		01
09	0501069860	OUTER OIL TUBE		01
10	0501069861	INNER OIL TUBE		01
11	0501080150	HOSE ASSY		01
12	0501080413	3/8" X 27" TR-TC HOSE		01
13	0501080766	3/8" X 27.56" TC-TC HOSE		01
14	0501080688	3/8" X 25" TC-TC 90G HOSE		04
15	0501080723	3/8" X 31.49" TC-TC HOSE		01
16	0501080777	LH 3/8" X 25.9" TC-TC HOSE		02
17	0503010002	1800 GREASE FITTING		06
18	0503010003	1845 GREASE FITTING		02
19	0503010004	1890 GREASE FITTING		02
20	0503010025	3/8" SPRING WASHER		06
21	0503010131	3/16" X 1-1/2" COTTERPIN		10
22	0503010237	3/8" X 1" BOLT		02
23	0503010534	3/8 X 2-1/2 COTTERPIN		10
24	0503010918	BUTTERFLY NUT 1/2 NC		02
25	0503011968	3/4" 8R6X-S T ADAPTER WITH SWIVEL NUT		02
26	0503030168	HAIR PIN		04
27	0511017302	FLAT WASHER		14
28	0511019634	CONTROL LOCK		02
29	0561016401	PLOUGH SUPPORT BODY		02
30	0511019685	FLAT WASHER		12
31	0511019876	1/2" NIPPLE		02



Item	Code	Description	See page	QT
32	0511060289	MOBILE SUPPORT PCA 1100		01
33	0502012472	MOBILE TOWER		01
34	0502012473	LEFT MOBILE TOWER		01
35	0501069857	RIGHT RIGHT OIL TUBE		01
36	0501069858	LH RIGHT OIL TUBE		01
37	0521012777	COUPLING SHAFT		02
38	0521012823	COUPLING SHAFT		04
39	0521012868	1.4" X 5" PIVOT SHAFT		04
40	0521012869	COUPLING SHAFT		02
41	0521012870	1.46" X 6.18" PIVOT SHAFT		04
42	0531011180	UPPER BODY CLIP		02
43	0521011903	1.48" X 1.77" X 3.93" SLEEVE INTER		04
44	0502010477	HOSE CLAMP		08
45	0511064410	1.5" X 8.1" COUPLING SHAFT		02
46	0503030430	7/16 X 2" PIN LOCK		02
47	0521010514	38,1 X 52,9 X 50 SLEEVE INTER		08



Item	Code	Description	See page	QT
01	0521066381	CYLINDER CASE 76,20 X 723		01
01A	0501110275	BUSHING COUPLING 75 X 38,1 X 50		02
02	0511065578	1.7" X 28.18" TURNBUCLE		01
03	0502012264	RING SUPPORT 1.75" X 3"		01
04	0503010761	D-1750 SCRAPER RING		01
05	0503010949	W2-2000-500 PK RING G.E		01
06	0503010343	2-334 N 3006-9B O'RING		01
07	0503011059	8-334 BACK-UP RING		01
08	0503010063	1" SELF-ALIGNING NUT		01
09	0503010002	1800 GREASE FITTING		02
10	0503030385	CYLINDER PLUG N-002		02
11	0503010042	2-214 N 3006-9B O'RING		01
12	0581010304	PISTON		01
13	0503018138	RING BS		02
14	0503018140	RING GUIDE		01
15	0503017937	GASKET		01
16	0502011899	MOBILE COVER		01
17	0511032725	HYDRAULIC CYLINDER REPAIR KIT		



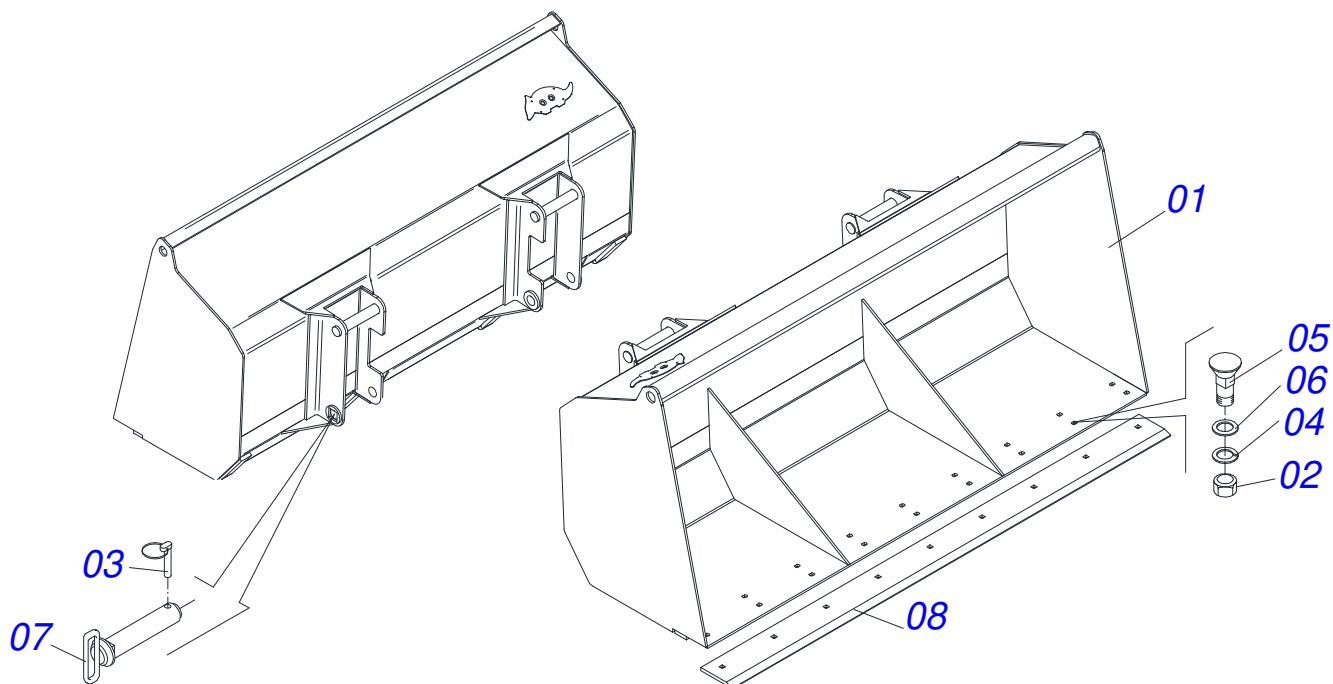
Item	Code	Description	See page	QT
01	0511065214	RIGHT FRAME SHT PCA MF 299-4 ADV		01
02	0511065216	LEFT FRAME PCA 299-4 ADV		01
04	0501014778	FRAME BRACKET		01
05	0503050056	COUPLING FLANGE		01
06	0511062958	420 X 1.1/8 STRIATED X 1.1/8-30G AXLE		01
07	0503030838	1-1/8" X 2.4" SLEEVE		01
08	0503010119	7/16" X 1-1/4" BOLT		04
09	0503010180	7/16" SPRING WASHER		08
10	0501052129	PUMP WITH TUBE		01
11	0501069536	PUMP SUCTION TUBE		01
12	0501069661	PUMP PRESSURE TUBE		01
13	0503010355	7/16" X 1" BOLT		04
14	0503010237	3/8" X 1" BOLT		04
15	0503010025	3/8" SPRING WASHER		21
16	0503010920	1/2" X 1.1/2" BOLT		02
17	0503010019	1/2" SPRING WASHER		06
18	0503010173	2-220 N 3006-9B O'RING		02
19	0501047575	OIL RESERVOIR ASSY		01
19A	0501068685	OIL RESERVOIR		01
19B	0503030044	FILTERING ELEMENT		01
19C	0501060975	OIL GAGE		01
19D	0503010185	2-221 N 3006-9B O'RING		01
19E	0502020472	FRONTAL COVER		01
19F	0503031604	1/2" BSP PLUG		01
19G	0503010046	2-216 N 3006-9B O'RING		01
19H	0501016309	2" 1X 2.5/16" NUT		01
20	0501059952	DOBLE COMMAND 1/2 HIDROV/DANFOSS ASSY		01
20A	0503060016	1/2"DOUBLE COMMAND		01
20B	0501010591	HOSE NIPPLE		01
20C	0501010589	R. 1.1/16UN SEXT 1.1/4 X 52 NIPPLE		01
20D	0503010602	2-211 N 3006-9B O'RING		02



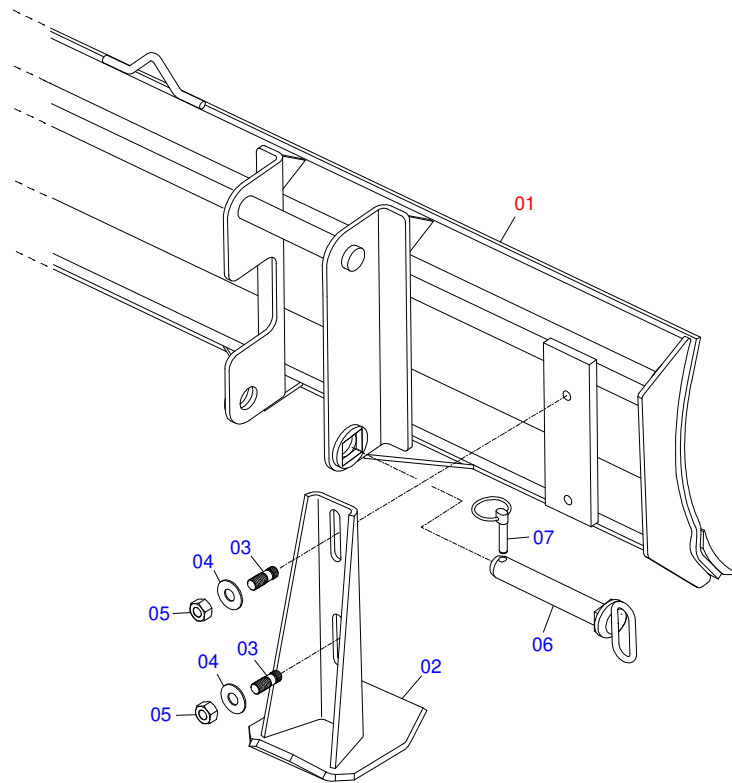
HIDRAULIC CIRCUIT SHT 297/299-4 S-903

0909094787

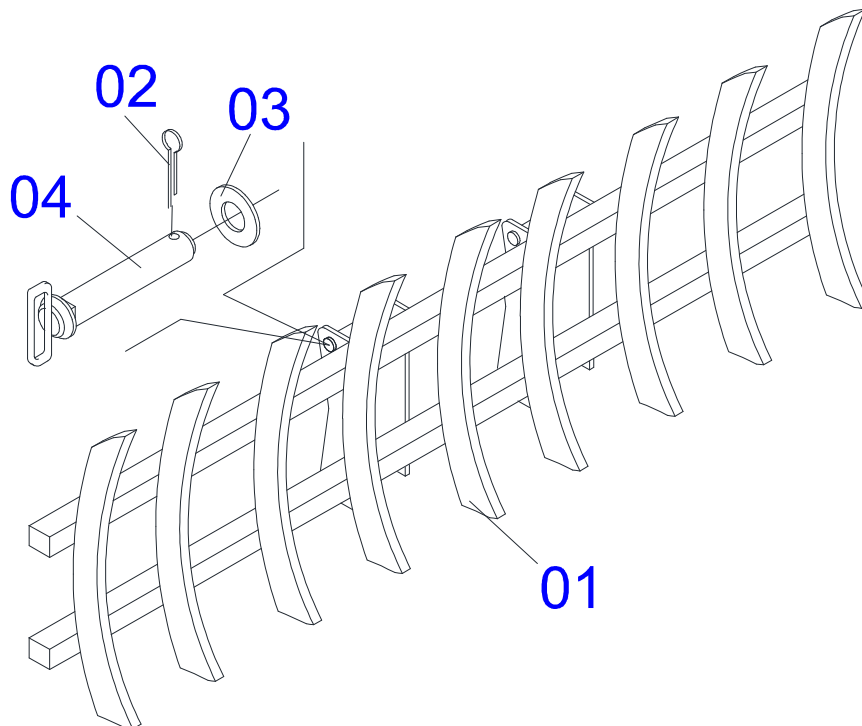
Item	Code	Description	See page	QT
20E	0511010111	7/8" NIPPLE		04
20F	0503010045	O'RING		04
20G	0503030347	UPPER LEVER ASSY (SAUER DANFOSS)		02
20H	0521010533	0.3" X 1" COUPLING SHAFT		02
20I	0503010140	1/8" X 3/4" COTTERPIN		02
21	0501010080	3/8" BOLT		03
22	0501010984	FLAT WASHER		03
23	0503010026	3/8" NUT		17
24	0501041108	RETURNING FILTER ASSY		01
24A	0502050002	RETURNING FILTER HEAD		01
24B	0501010594	1" NUT		01
24C	0501010595	1" NF NIPPLE		01
24D	0503010183	RETURNING FILTER		01
25	0511048225	STARTER COMMAND ASSY PD/PCA MF 297/299-4		02
25A	0521061259	STARTER COMMAND PD/PCA MF 297/299-4 ADV		02
25B	0503030878	LEVER CRANK		01
26	0501057865	HOSE ASSY PCA 1100 MF 299 SHT CD		01
26A	0501080061	1/2 X 1700 TR-TC HOSE ASSY		04
27	0501080705	3/4" X 118" TR-TC HOSE		01
28	0501081710	1.1/4 X 1370 AB-AB HOSE		01
29	0501019120	1 X 950 AB-AB HOSE		01
30	0503010184	CLAMP		02
31	0503010243	CLAMP		02
32	0503010246	CLAMP		02
33	0511067802	TANK OUTER TUBE PD MF		01
34	0531017226	BOX SUPPORT BATTERY		02
35	0501042819	1.1/4"NC X 33.46" ROD FULL		01
35A	0501018845	1.1/4" X 33.46" ROD		01
35B	0501010087	1.1/4" NUT		04
36	0561010051	HEADLIGHT SUPPORT		02
37	0501068213	5/8" WRENCH DOUBLE		01
38	0511010153	2-5/16" FIXED WRENCH		01
39	0511060085	1.47" X 9.25" PIVOT SHAFT		02
40	0501018059	3/4" X 2-1/4" BOLT		08
41	0511063961	SUPPORT CONTROL VALVE		01
42	0521012360	L FIXER SUPPORT		02
43	0511066905	BATTERY SUPPORT MF 297 ADV		01
44	0501053834	MALE QUICK COUPLER WITH CAP - 1/2 NPT		02
45	0501053835	FEMALE QUICK COUPLER		02
46	0503030430	7/16 X 2" PIN LOCK		02
47	0501010161	1/2" X 1.1/4" BOLT		04
48	0511017302	FLAT WASHER		06
49	0501011544	3/4" X 1-1/2" BOLT		04
50	0503010023	3/4" SPRING WASHER		22
51	0503010014	3/4" NUT		04
52	0501010500	3/4"X3"BOLT		04
53	0501010322	FLAT WASHER		08



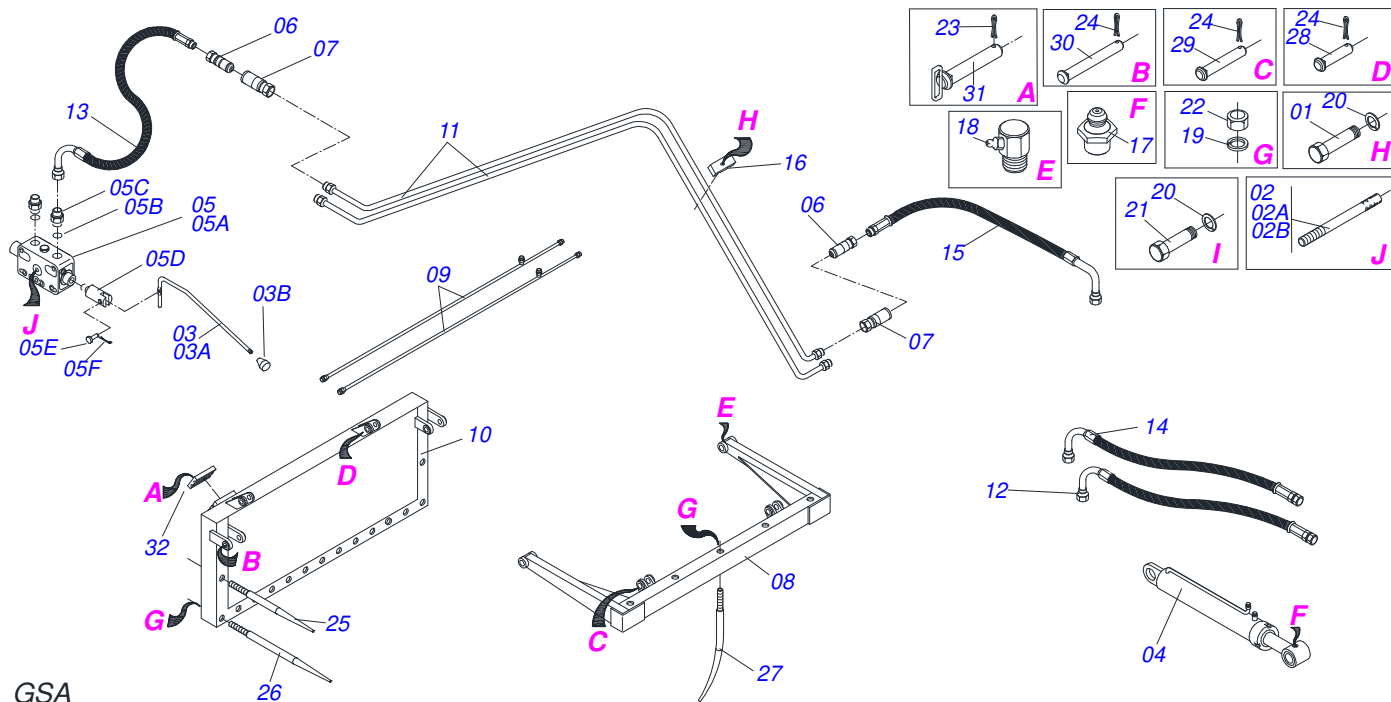
Item	Code	Description	See page
00	0501048045	PAC 800/1100 COMPL 1900 P ALT S0498	4
01	0501069448	1925 BUCKET	01
02	0503010020	1/2"NUT	09
03	0503010534	3/8 X 2-1/2 COTTERPIN	02
04	0503011440	SPRING WASHER	09
05	0503012956	1/2" X 1-1/2" BOLT	09
06	0511017302	FLAT WASHER	09
07	0511060085	1.47" X 9.25" PIVOT SHAFT	02
08	0521011921	76.37" SCRAPER BUCKET	01



Item	Code	Description	See page	QT
01	0511043382	DOZER BLADE 2400 - PCA 800		01
02	0501063411	ESTABILIZER BRACKET		02
03	0501010571	3/4" X 3/4" X 2.2" STUD		04
04	0501010322	FLAT WASHER		04
05	0503010014	3/4" NUT		04
06	0521066515	37,20 X 240 ARTICULATION SHAFT WITH HANDLE		02
07	0503030430	7/16 X 2" PIN LOCK		02



Item	Code	Description	See page
00	0501048063	EAG 800/1100 9 TEETH ASSY S-0597	6
01	0501069115	2400 ROOT RAKER	01
02	0503030430	7/16 X 2" PIN LOCK	04
03	0511019685	FLAT WASHER	04
04	0511060085	1.47" X 9.25" PIVOT SHAFT	04



GSA

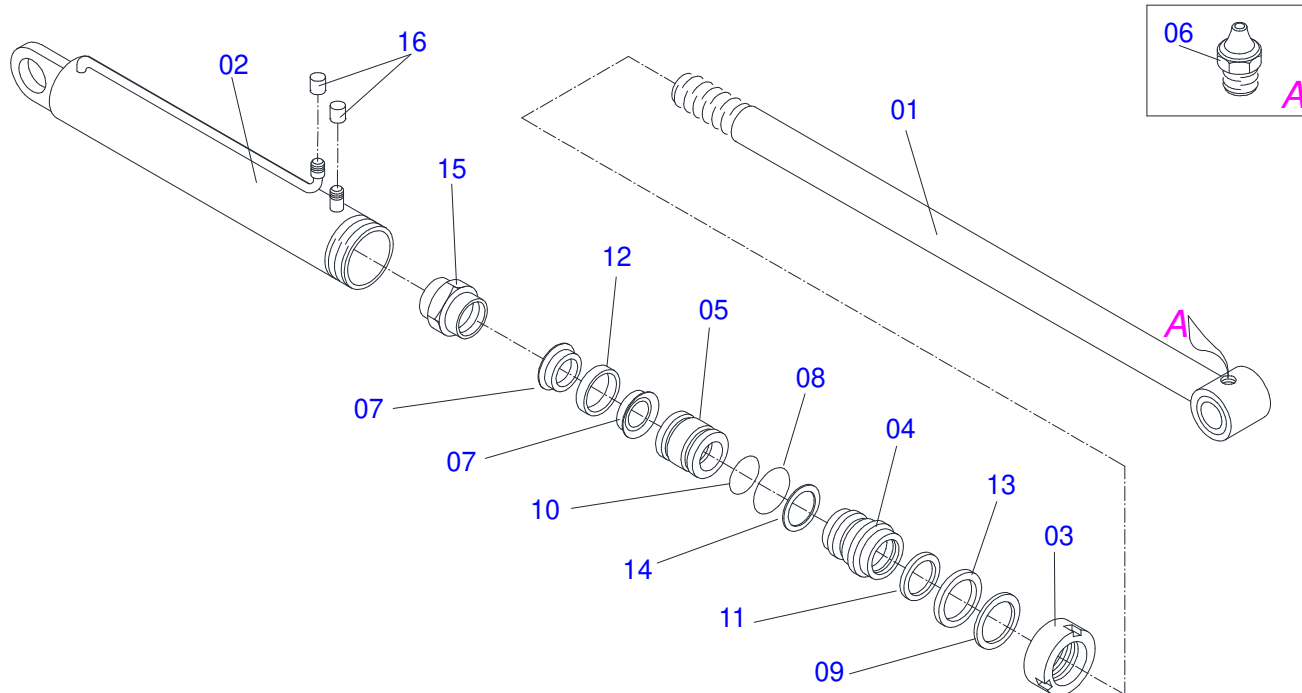
Item	Code	Description	See page
00	0501048091	GSA 800/1100 ASSY	7
01	0501010096	3/8" X 2" BOLT	03
02	0501041496	3/8" UNC X 10.62" STUD	04
02A	0501016988	3/8" X 3/8" X 10.6" STUD	04
02B	0503010026	3/8" NUT	08
03	0501047446	CONTROL VALVE (P/COM 1/2 PCA)	01
03A	0501068681	1/2" CONTROL VALVE	01
03B	0503030878	LEVER CRANK	01
04	0511058444	HYDRAULIC CYLINDER	02
05	0501053055	1/2" CENTER BODY WITH 3/8" NIPPLES	01
05A	0503010423	1/2" CENTER BODY	01
05B	0503010045	O'RING	02
05C	0511010111	7/8" NIPPLE	02
05D	0503030265	UPPER LEVER (PARKER 1/2")	01
05E	0521010533	0.3" X 1" COUPLING SHAFT	01
05F	0503010140	1/8" X 3/4" COTTERPIN	01
06	0501053834	MALE QUICK COUPLER WITH CAP - 1/2 NPT	04
07	0501053835	FEMALE QUICK COUPLER	04
08	0501068610	MOBILE FRAME	01
09	0501068686	OIL TUBE	02
10	0501069450	FIXED FRAME	01
11	0501069859	DISTRIBUTOR OIL TUBE	02
12	0501080328	3/8" X 29" TR-TC HOSE	02
13	0501080473	3/8" X 120" TC-TM HOSE	02
14	0501080599	3/8 X 650 TC-TR HOSE	02
15	0501080601	3/8" X 66.9 TC-TM HOSE	02
16	0502010477	HOSE CLAMP	06
17	0503010002	1800 GREASE FITTING	02
18	0503010004	1890 GREASE FITTING	02
19	0503010012	1" SPRING WASHER	20
20	0503010025	3/8" SPRING WASHER	10



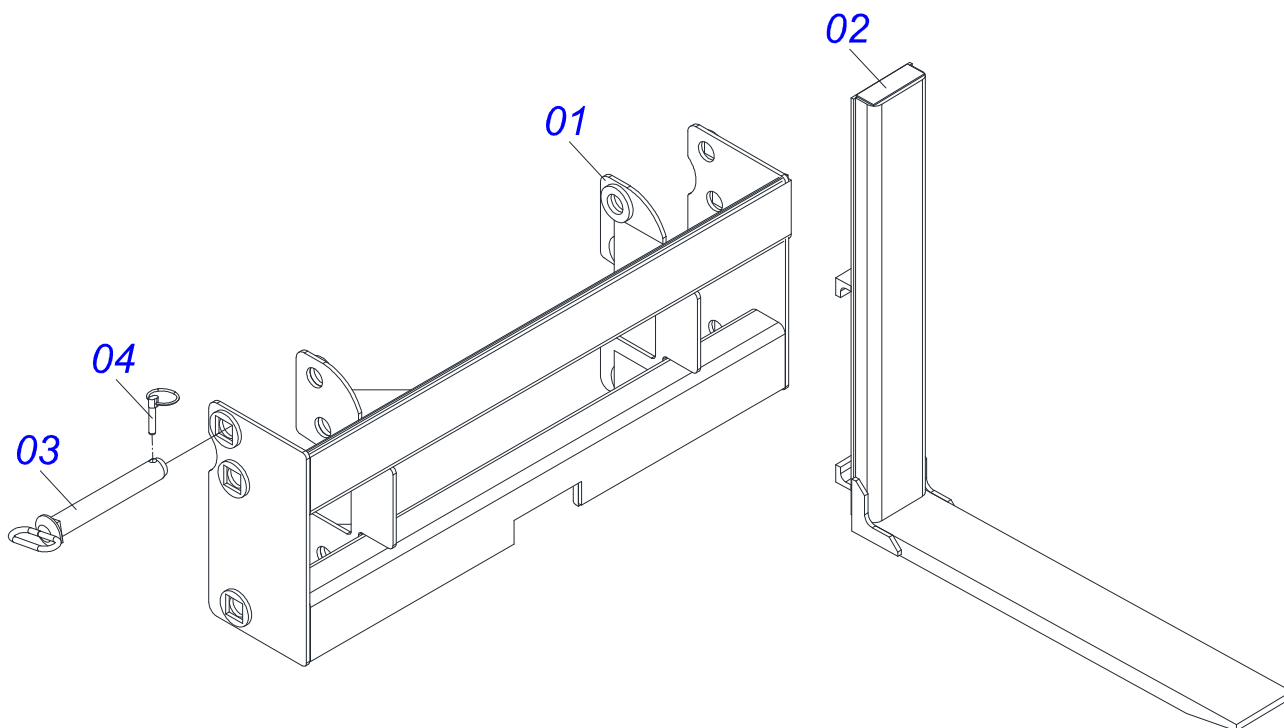
PCA 1100 MF
GSA 800/1100 ASSY

Page 7
0501048091

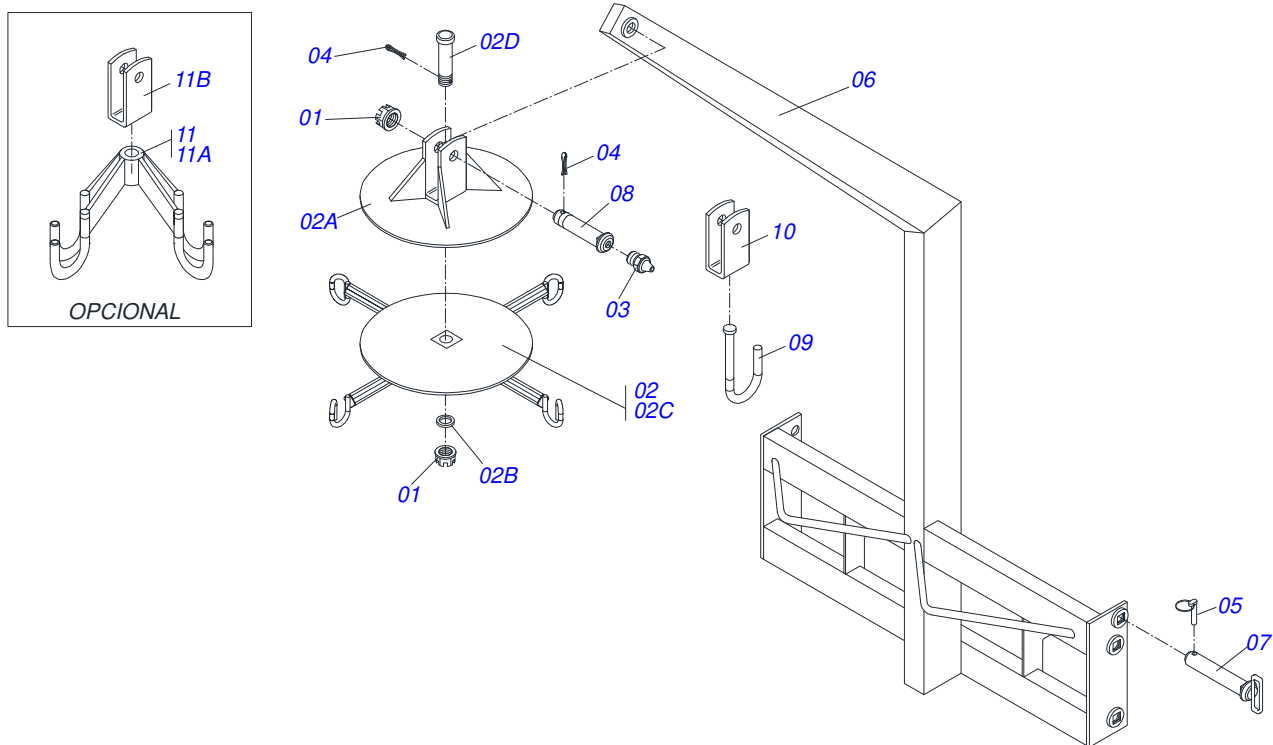
Item	Code	Description	See page
21	0503010237	3/8" X 1" BOLT	02
22	0503010340	1" NUT	20
23	0503010534	3/8 X 2-1/2 COTTERPIN	02
24	0503010571	1/4" X 1.1/2 COTTERPIN	06
25	0511019542	1-1/2" X 26" STRAIGHT TEETH	02
26	0511019543	1-1/2" X 30" STRAIGHT TEETH	13
27	0511019544	1-1/2" X 26" BENT TOOTH	05
28	0511019621	0.9" X 2.8" COUPLING SHAFT	02
29	0511019622	0.9" X 4.0" COUPLING SHAFT	02
30	0511019623	0.9" X 5.4" COUPLING SHAFT	02
31	0511060085	1.47" X 9.25" PIVOT SHAFT	02
32	0531011180	UPPER BODY CLIP	02



Item	Code	Description	See page	QT
01	0501068721	1.5" X 14.1" TURNBUCLE		01
02	0501068722	63,50 X 328 CYLINDER CASE		01
03	0502010471	MOBILE COVER		01
04	0502010780	RING SUPPORT		01
05	0502010783	1.5" X 2.5" PISTON		01
06	0503010002	1800 GREASE FITTING		01
07	0503010160	2500 2000 GASKET		02
08	0503010161	2-330 N 3006 9B O'RING		01
09	0503010163	D-1500 SCRAPER RING		01
10	0503010285	2-222 N 3006-9B O'RING		01
11	0503010970	W1-1650-500 PK O'RING G.E		01
12	0503010973	W2-2500-500 PK O'RING G.E		01
13	0503010989	1870-1500-375-B GASKET		01
14	0503011058	8-330 BACK-UP RING		01
15	0503011980	1" UNF LOCKNUT		01
16	0503030385	CYLINDER PLUG N-002		02



Item	Code	Description	See page
01	0511060430	CHARGING BAR SUPPORT	01
02	0511060429	CHARGING BAR	02
03	0511060428	DRAWBOLT	04
04	0503030430	7/16 X 2" PIN LOCK	04



Item	Code	Description	See page
01	0501011301	1.1/2 UNC 6FPP 2.5/16 NUT	02
02	0501043072	CROSSPIECE ASSY GAT-R	01
02A	0511068703	U COUPLING CROSSPIECE	01
02B	0501012916	FLAT WASHER 38,50 X 66 X 4,75 ZN	01
02C	0501064477	CROSSPIECE	01
02D	0521010555	1-1/2" X 5.5" COUPLING SHAFT	01
03	0503010002	1800 GREASE FITTING	01
04	0503010010	1/4" X 2.1/2" COTTERPIN	02
05	0503030430	7/16 X 2" PIN LOCK	04
06	0511060426	CROSSPIECE SUPPORT	01
07	0511060428	DRAWBOLT	04
08	0521012828	1.5" X 6.8" PIVOT SHAFT	01
09	0501064475	1-1/4" HOOK	01
10	0501069722	U HOOK	01
11	0501053565	CROSSPIECE ASSY FOR SAB/PD/PCA	01
11A	0511060427	CROSSPIECE	01
11B	0501069721	U COUPLING FOR CROSSPIECE	01



MARCHESAN



ANNOTATION

A series of 30 horizontal lines for writing an annotation.





www.marchesan.com.br



Technical Publications | Elaboration and Revision
JOSÉ DOMINGOS GASPARI