

**ROTARY CUTTERS**

**RO2 2601**

**Code:** 0501091631  
**Series:** S-0214  
**Revision:** 00  
**Date Revision:** AGOSTO/2021

# PARTS CATALOGUE



**MARCHESAN**



# PRODUCTS

<b>Code</b>	<b>Description</b>
0104040033C	RO2 2601 C/R C/PROT CORRENTE EXP S-0214
0104040033	RO2 2601 C/R C/PROT CORRENTE S-0214

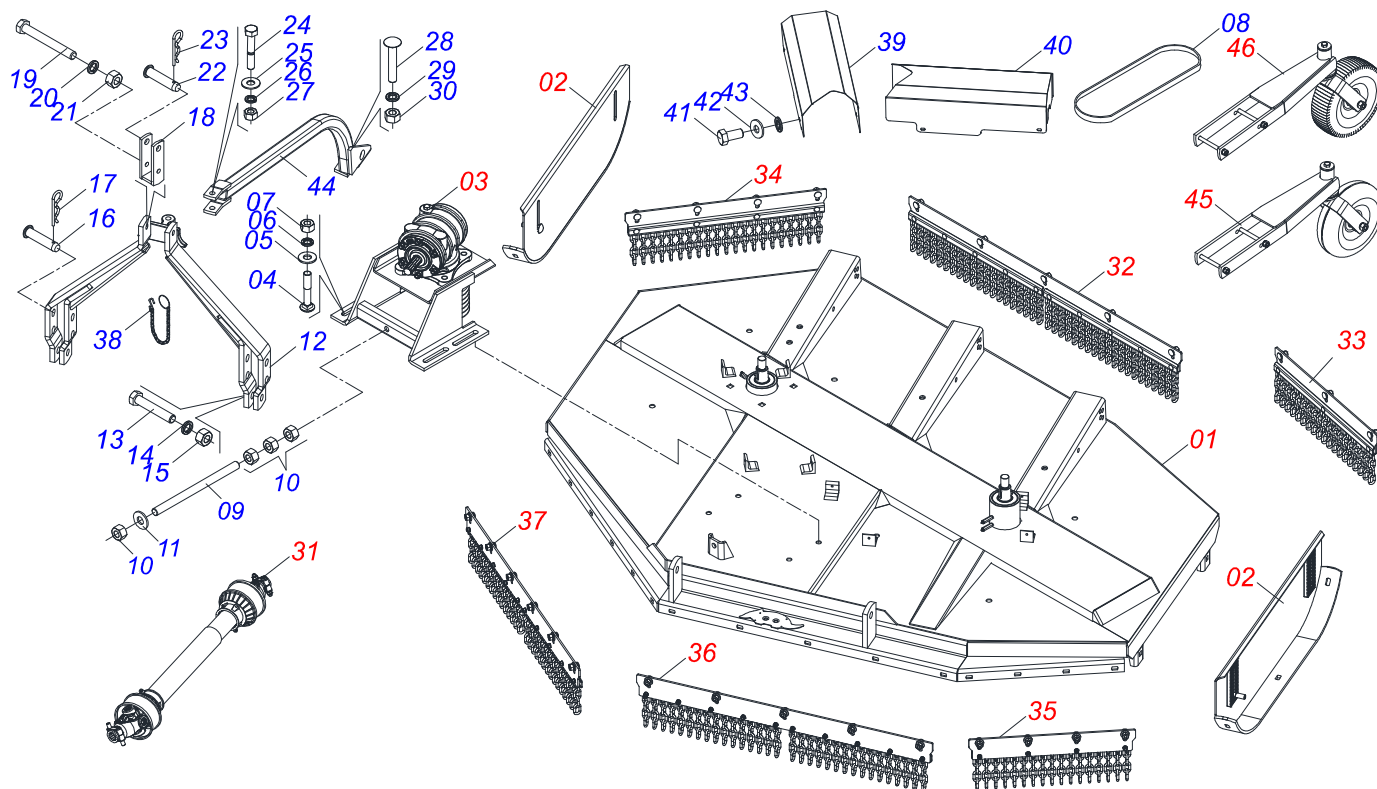
## **ATTENTION: IMPORTANT**

Marchesan S.A. reserves the right to improve and / or modify the technical features of its products, without obligation to do the same with those products already sold and without prior knowledge of the dealer or the consumer.



# INDEX

0909091469	FRAME ASSY	.....	1
0511055396	SEMIFINISHED FRAME	.....	2
0511043567	ROTARY CUTTERS HUB ASSY	.....	3
0511043566	ROTARY CUTTERS HUB ASSY	.....	4
0909099197	SKATE ASSEMBLY	.....	5
0501051019	MULTIPLIER	.....	6
0501046851	MULTIPLIER	.....	7
0501047952	DRIVE SHAFT	.....	8
0511055384	CHAIN PROTECTION	.....	9
0511055385	CHAIN PROTECTION	.....	10
0511055386	CHAIN PROTECTION	.....	11
0511055387	CHAIN PROTECTION	.....	12
0511055388	CHAIN PROTECTION	.....	13
0511055391	CHAIN PROTECTION	.....	14
0511047301	CARRYING WHEELS ASSY	.....	15
0501043642	RUBBER WHEEL ASSY	.....	16



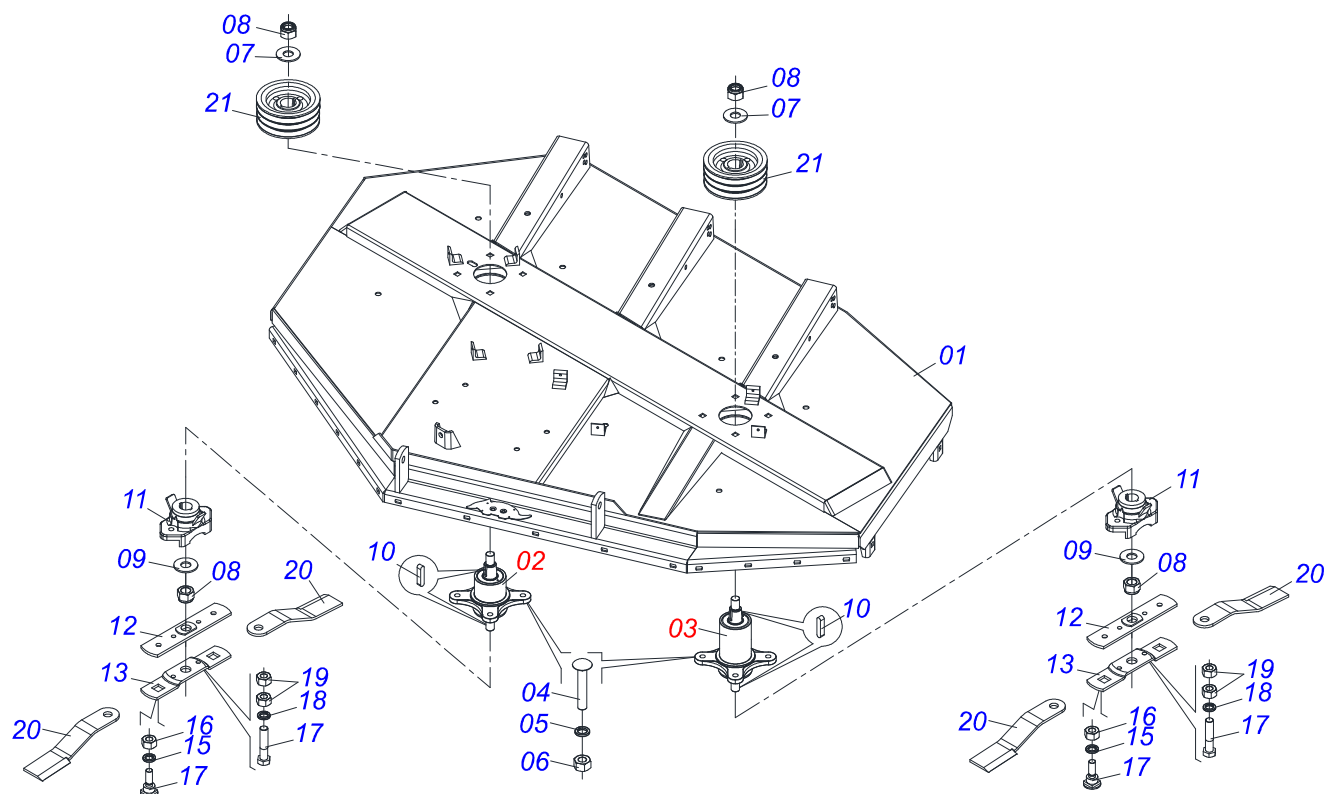
Item	Code	Description	See page	QT
01	051105396	SEMIFINISHED FRAME	2	01
02	0909099197	SKATE ASSEMBLY	5	01
03	0501051019	MULTIPLIER	6	01
04	0501010162	3/4" X 4" BOLT		04
05	0501010322	FLAT WASHER		04
06	0503010023	3/4" SPRING WASHER		04
07	0503010014	3/4" NUT		04
08	0503010156	C-85 BELT		06
09	0501013451	282 TENSIONER BODY		01
10	0503010014	3/4" NUT		04
11	0501010322	FLAT WASHER		01
12	0501066446	DRAWBAR		01
13	0503011432	BOLT		02
14	0503010012	1" SPRING WASHER		02
15	0501010059	1.5/8 NUT		02
16	0521010596	COUPLING SHAFT		02
17	0503031035	HAIR PIN		02
18	0501066445	PIVOT DOUBLE BAR		01
19	0503011198	C3/4" X 6" SCREW		01
20	0503010023	3/4" SPRING WASHER		01
21	0503010014	3/4" NUT		01
22	0521010578	COUPLING SHAFT		01
23	0503031035	HAIR PIN		01
24	0501010216	3/4" X 4-1/2" BOLT		01
25	0501010322	FLAT WASHER		01
26	0503010023	3/4" SPRING WASHER		01
27	0503010014	3/4" NUT		01
28	0501017305	3/4" X 2-1/4" BOLT		01
29	0503010023	3/4" SPRING WASHER		01
30	0503010014	3/4" NUT		01
31	0501047952	DRIVE SHAFT	8	01



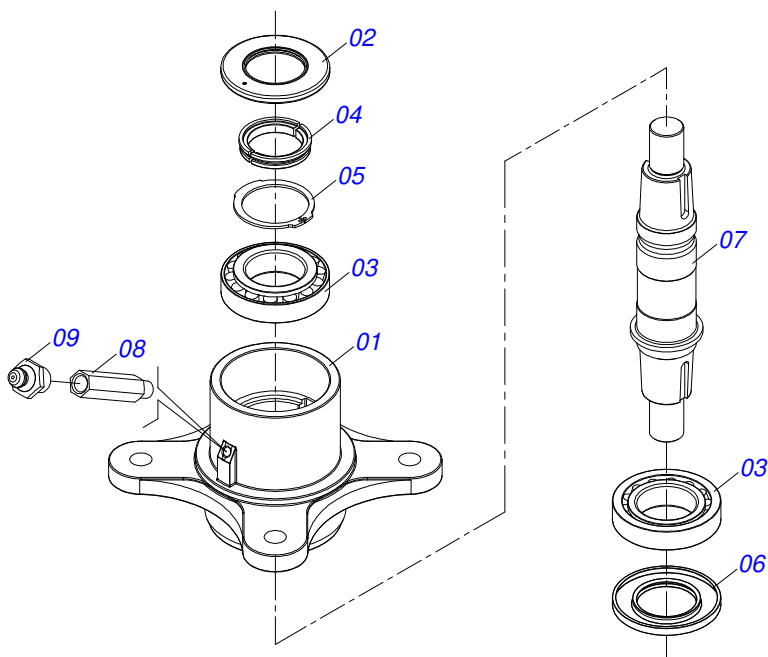
**RO2 2601**  
**FRAME ASSY**

Page 1  
0909091469

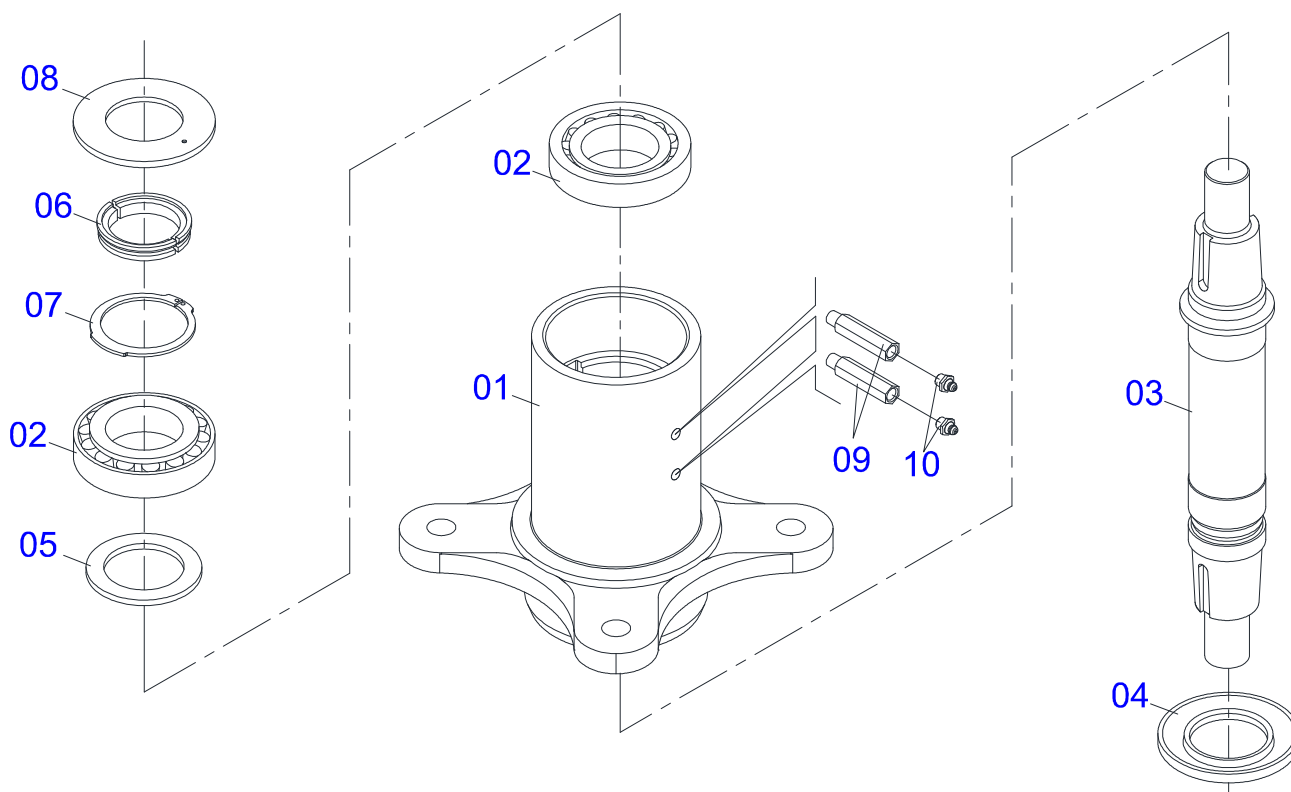
<b>Item</b>	<b>Code</b>	<b>Description</b>	<b>See page</b>	<b>QT</b>
32	0511055384	CHAIN PROTECTION	9	01
33	0511055385	CHAIN PROTECTION	10	01
34	0511055386	CHAIN PROTECTION	11	01
35	0511055387	CHAIN PROTECTION	12	01
36	0511055388	CHAIN PROTECTION	13	01
37	0511055391	CHAIN PROTECTION	14	01
38	0503011981	17.7" CHAIN WITH HOOK/LINK		01
39	0521066325	RIGHT PROTECTION COVER		01
40	0521066326	LEFT PROTECTION COVER		01
41	0503010256	3/8" X 3/4" BOLT		08
42	0501010984	FLAT WASHER		08
43	0503010025	3/8" SPRING WASHER		08
44	0501067540	FRENCH HAND		01
45	0511047301	CARRYING WHEELS ASSY	15	02
46	0501043642	RUBBER WHEEL ASSY	16	02



Item	Code	Description	See page	QT
01	0521064958	FRAME		01
02	0511043567	ROTARY CUTTERS HUB ASSY	3	01
03	0511043566	ROTARY CUTTERS HUB ASSY	4	01
04	0503013122	3/4 UNC X 4.1/4 CAPQ G.5 ZNBOLT		08
05	0503011442	3/4" SPRING WASHER		08
06	0503010014	3/4" NUT		08
07	0561015762	FLAT WASHER		02
08	0503010817	1.1/4" SELF LOCKING NUT		04
09	0501017779	32 X 60 X 4.75 FLAT WASHER		02
10	0501010536	KEYWAY SQUARE		08
11	0502012453	SUPPORT FLANGE		02
12	0561017308	SUPPORT UPPER BASE		02
13	0561017368	ROTARY LOWER SUPPORT		02
14	0511019000	BOLT		04
15	0503011447	SPRING WASHER		04
16	0503010812	7/8" UNF SELF LOCKING NUT		04
17	0503010901	3/4UNC 3.1/2 BOLT		04
18	0503011442	3/4" SPRING WASHER		04
19	0503010014	3/4" NUT		08
20	0622400053	20.5" X 3.94" X 0.5" ROTARY CUTTER		04
21	0502011377	REEL 190 X 50 PULLEY		02

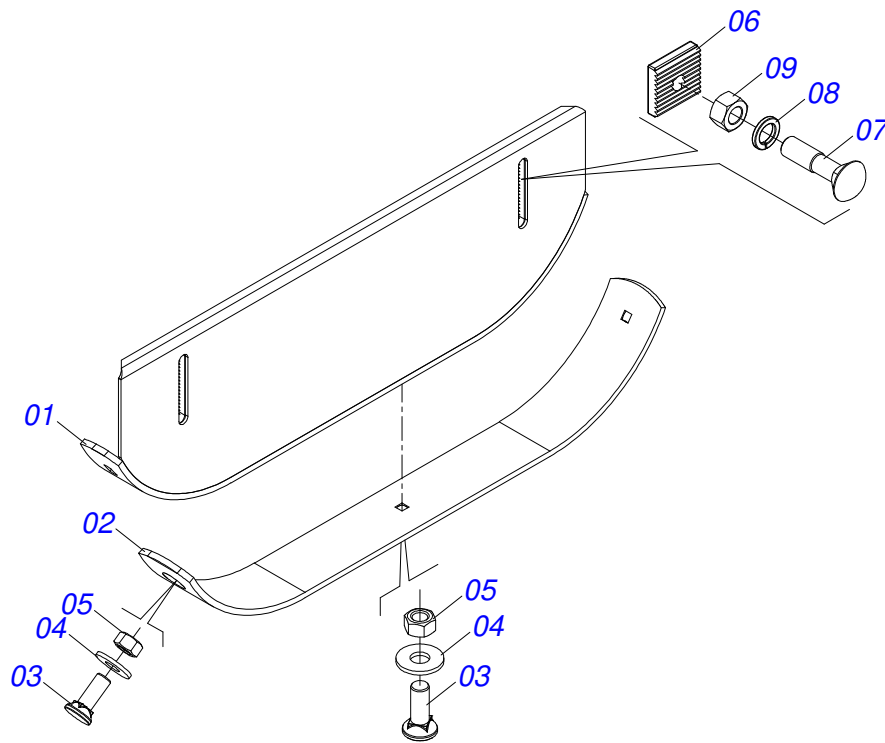


Item	Code	Description	See page	QT
01	0502012294	DROP HUB		01
02	0503013201	ARCA 6016 BRG SEAL		01
03	0503012418	32211 ROLLER BEARING		02
04	0541014445	LOCK RING		01
05	0503012311	501065 RENO RING		01
06	0503013211	6016 BRG SEAL		01
07	0541014095	ROTARY CUTTERS SMALLER AXLE		01
08	0501019757	EXTENSION GREASE FITTING		01
09	0503010002	1800 GREASE FITTING		01

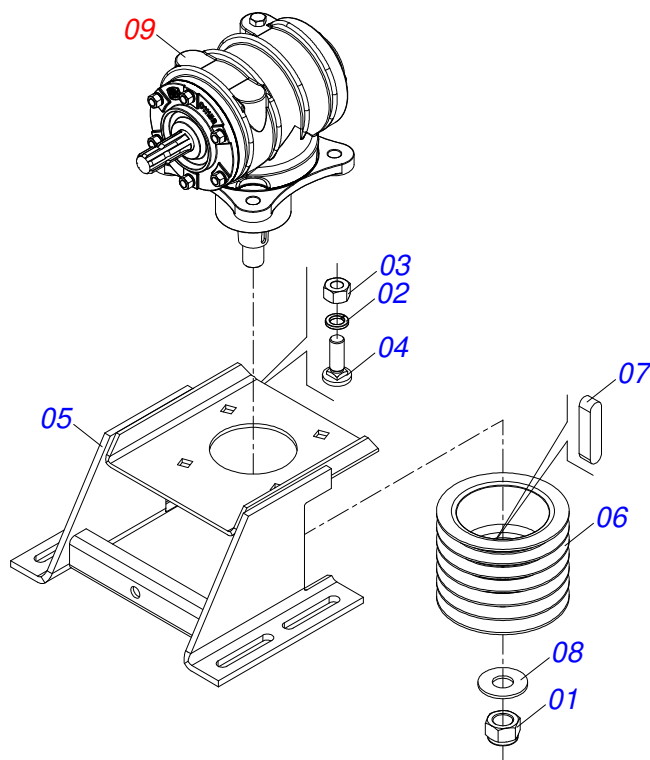


Item	Code	Description	See page	QT
01	0502012295	ROTARY CUTTERS HUB		01
02	0503012418	32211 ROLLER BEARING		02
03	0541014094	LARGER AXLE		01
04	0503013201	ARCA 6016 BRG SEAL		01
05	0541014151	FLAT WASHER		01
06	0531019302	LOCK RING		01
07	0503012311	501065 RENO RING		01
08	0503013211	6016 BRG SEAL		01
09	0501019757	EXTENSION GREASE FITTING		02
10	0503010002	1800 GREASE FITTING		02



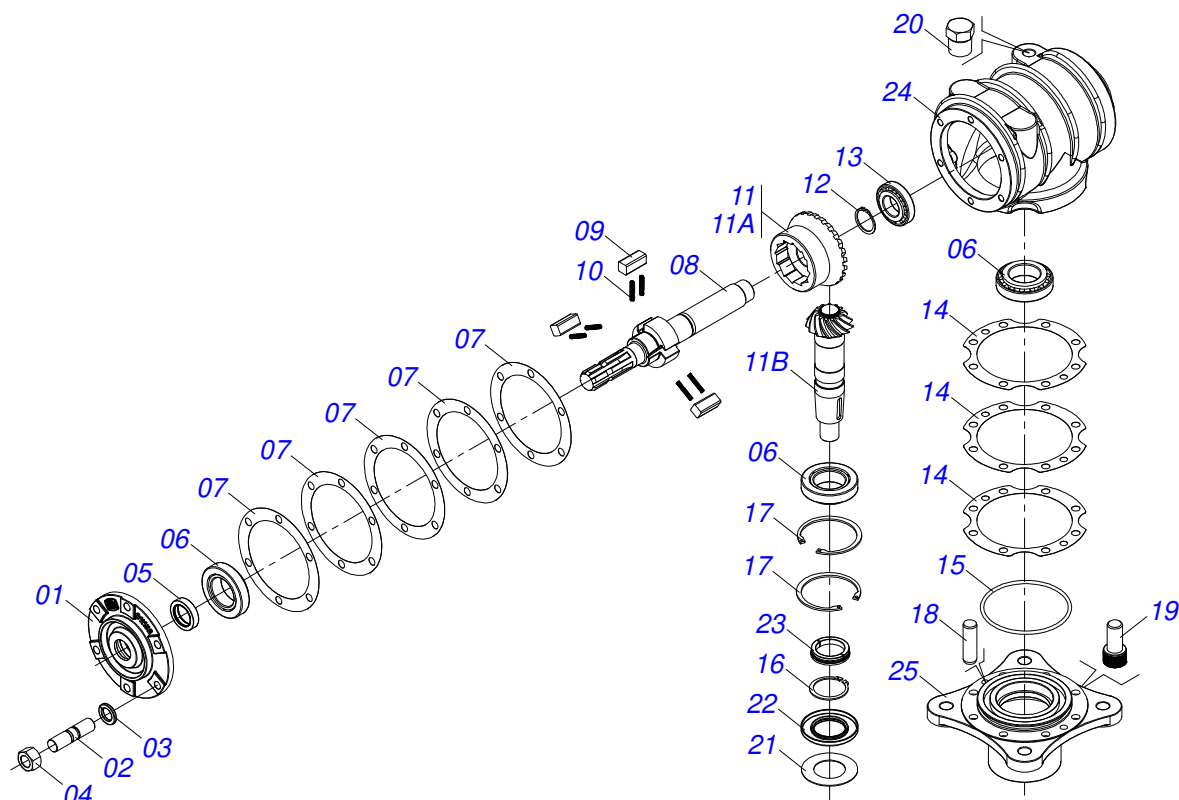


Item	Code	Description	See page	QT
01	0511064761	930 LEFT SKID		02
02	0531019436	SKID GUIDE		02
03	0503012956	1/2" X 1-1/2" BOLT		06
04	0511017302	FLAT WASHER		06
05	0503012682	1/2" BSW NUT		06
06	0502010083	SQUARE WASHER		04
07	0501014177	5/8" X 2-1/2" BOLT		04
08	0503010027	5/8" SPRING WASHER		04
09	0503010013	5/8" NUT		04

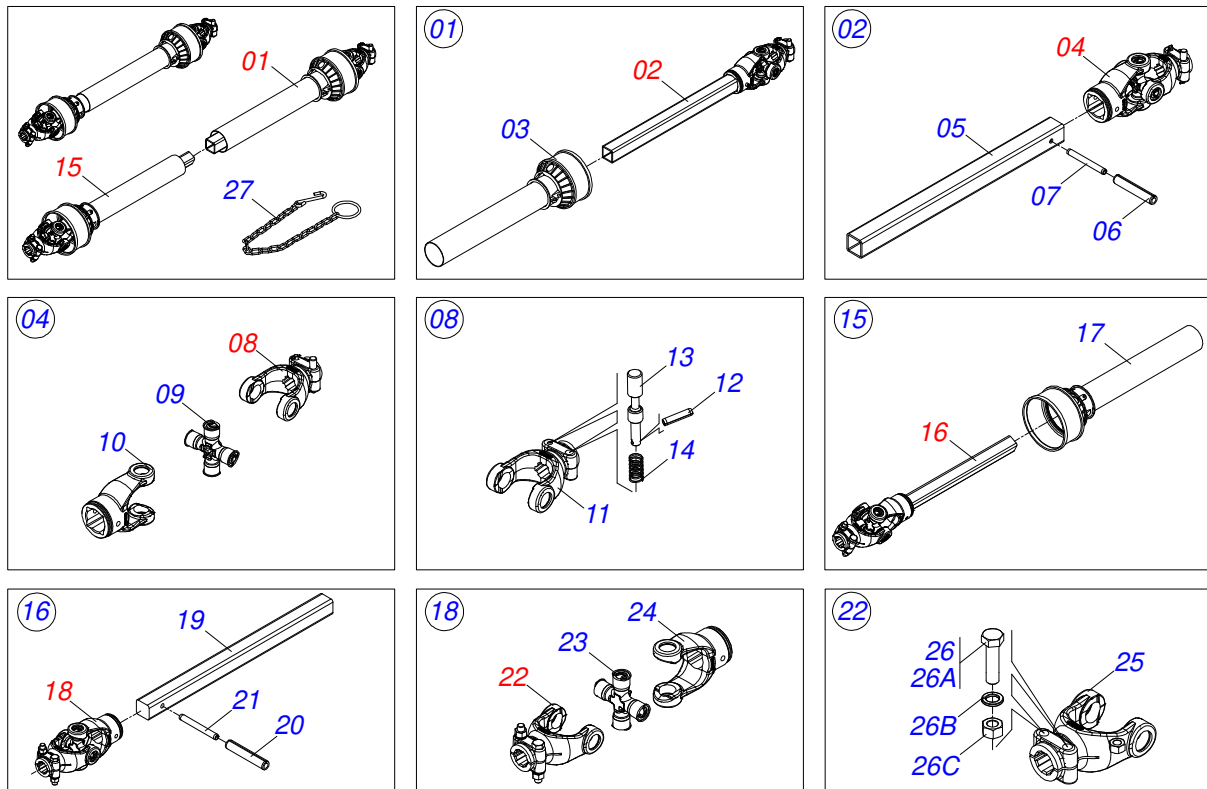


Item	Code	Description	See page	QT
01	0503010044	1-1/4" SELF LOCKING NUT		01
02	0503011442	3/4" SPRING WASHER		04
03	0503010014	3/4" NUT		04
04	0511018358	3/4" X 2-1/4" 7MM BOLT		04
05	0501068059	MULTIPLIER SUPPORT		01
06	0502011378	6 REEL X 7.5" X 1.97" PULLEY		01
07	0501010536	KEYWAY SQUARE		02
08	0561015762	FLAT WASHER		01
09	0501046851	MULTIPLIER	7	01

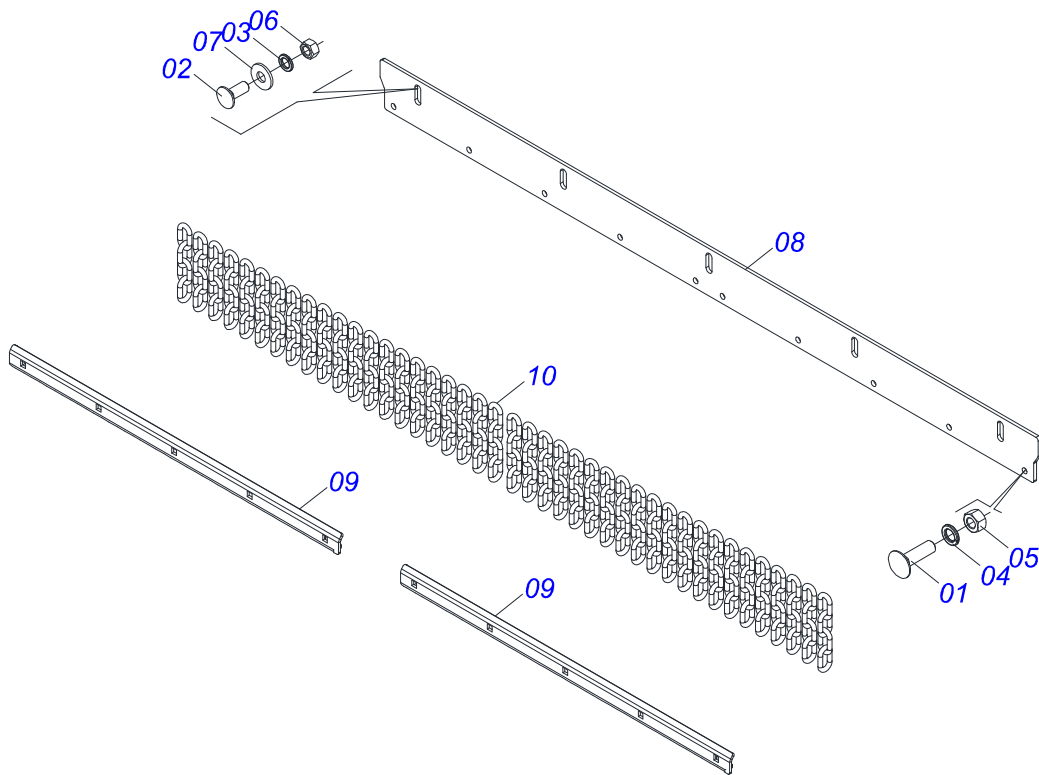
MULTIPLIER



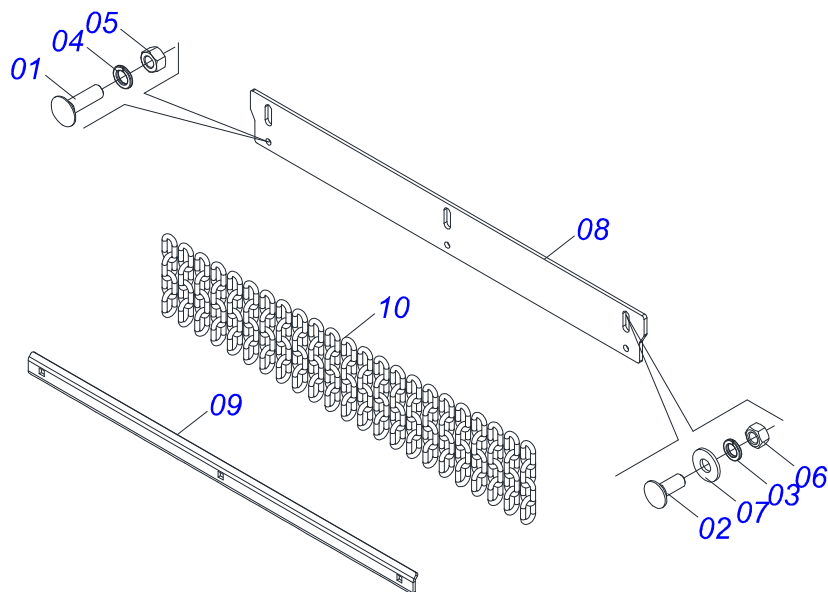
Item	Code	Description	See page	QT
01	0502011152	SMALLER COVER		01
02	0503030084	1/2" X 1/2" X 2.0" STUD		06
03	0503011440	SPRING WASHER		06
04	0503010028	1/2" NUT		06
05	0503011171	00912-BRG SEAL		01
06	0503010006	32210 ROLLER BEARING		03
07	0503030783	7.1" X 5.3" X 0.008" JOINT		05
08	0503050063	UPPER AXLE		01
09	0501010649	RATCHET CLICK		03
10	0503030051	0.2" X 1" X 0.1" COMPRESSION SPRING		06
11	0503060210	CROWN PINION SET		01
11A	0503050074	25Z CONICAL GEAR		01
11B	0503061048	PINION		01
12	0503010217	501040 CLAMPING RING (FOR AXLE)		01
13	0503010037	30207 ROLLER BEARING		01
14	0503030785	7.9" X 5.9" X 0.008" JOINT		03
15	0503010286	2-355 N 3006-9B O'RING		01
16	0503010396	501060 CLAMPING RING (FOR AXLE)		01
17	0503011190	SEAL RING		02
18	0503017877	PIN GUIDE		02
19	0503010562	1/2" X 1" BOLT		08
20	0503031604	1/2" BSP PLUG		01
21	0521018064	FLAT WASHER		01
22	0503011047	5089 SEAL		01
23	0511010142	LOCK RING		01
24	0502010984	LEFT MULTIPLIER BOX		01
25	0502011393	LOWER HUB		01



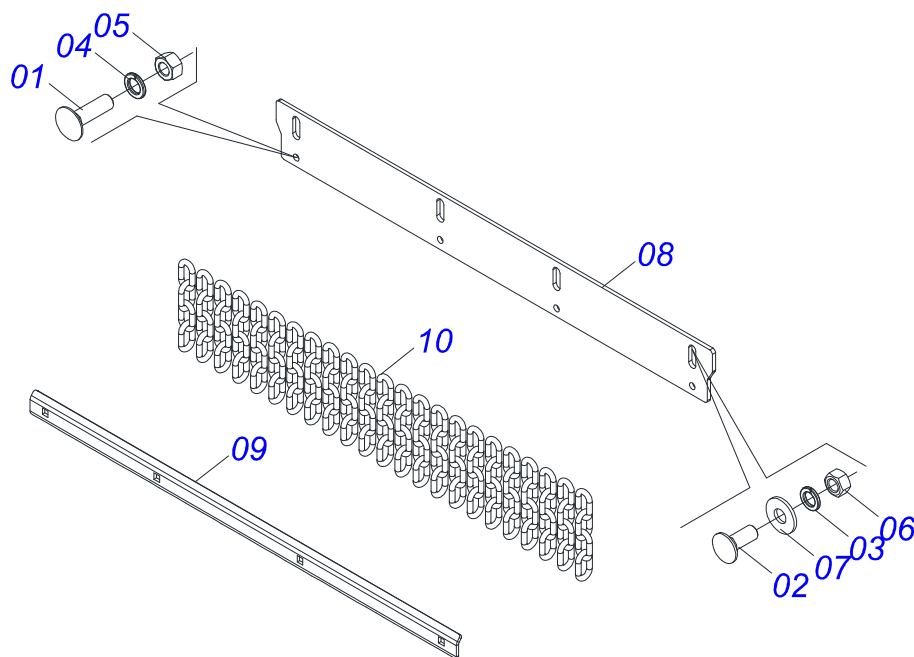
Item	Code	Description	See page	QT
01	0501051705	UNIVERSAL JOINT WITH SLEEVE/PROT		01
02	0501051707	UNIVERSAL JOINT WITH SLEEVE		01
03	0503012084	PROTECTION FOR UNIV JOINT AND SLEEV		01
04	0501051708	UNIVERSAL JOINT		01
05	0511010332	23" X 1.8" SQUARE SLEEVE		01
06	0503010843	0.4" X 3.3" SPRING PIN		01
07	0503011878	0.2" X 3.3" SPRING PIN		01
08	0501050334	1-60 TERMINAL WITH QUICK HITCH		01
09	0503010837	CARDAN CROSSPIECE		01
10	0502011422	2-60 TERMINAL		01
11	0502010568	1-60 STRIATED 1.3/8" TERMINAL		01
12	0503010838	0.1" X 0.8" SPRING PIN		02
13	0503037375	PIN QUICK COUPLING		02
14	0503030518	0.5"X1.0"X 0.1" COMPRESSION SPRING		02
15	0501051706	UNIVERSAL JOINT WITH AXLE/PROT		01
16	0501051709	UNIVERSAL JOINT WITH SHAFT		01
17	0503012085	PROTECTION FOR UNIV JOINT AND AXLE		01
18	0501051710	UNIVERSAL JOINT		01
19	0511010326	1.4" X 23" SQUARE SHAFT		01
20	0503011069	0.4" X 2.8" SPRING PIN		01
21	0503011805	0.2" X 2.8" SPRING PIN		01
22	0501052516	T6-60 TERMINAL WITH SCREW		01
23	0503010837	CARDAN CROSSPIECE		01
24	0502011424	3-60 TERMINAL		01
25	0502010830	6-60 STRIATED 1.3/8" TERMINAL		01
26	0501047756	1/2" X 3" SET PARTS		02
26a	0503010479	BOLT		01
26b	0503010019	1/2" SPRING WASHER		01
26c	0503010060	1/2" NUT		01
27	0503012023	CHAIN FOR PROTECTION		02



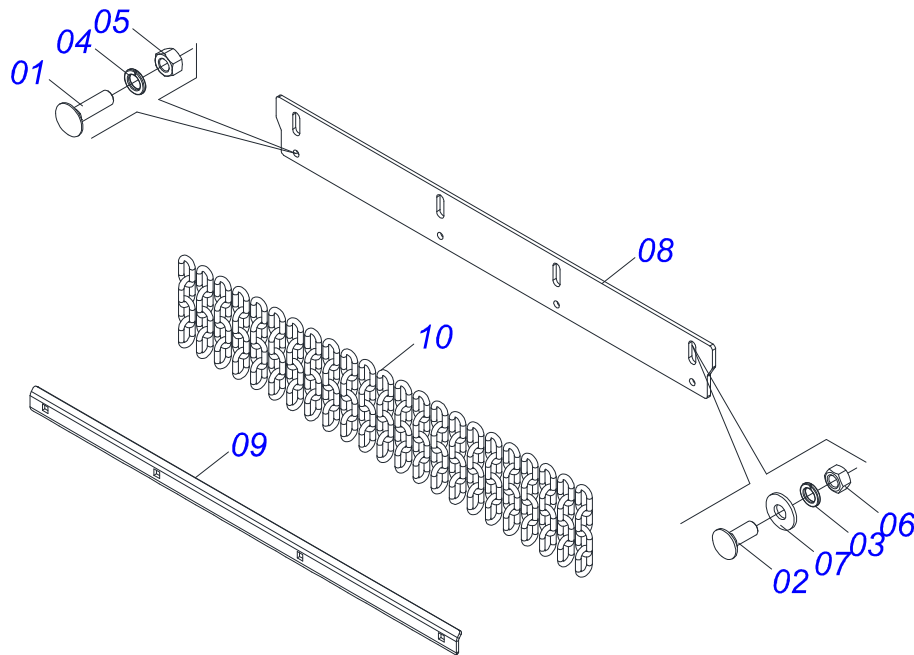
Item	Code	Description	See page	QT
01	0501010942	3/8" X 1-1/4" BOLT		10
02	0501011600	1/2" X 1-1/4" BOLT		05
03	0503010019	1/2" SPRING WASHER		05
04	0503010025	3/8" SPRING WASHER		10
05	0503010026	3/8" NUT		10
06	0503012682	1/2" BSW NUT		05
07	0511017302	FLAT WASHER		05
08	0571016162	CHAIN PROTECTION BODY		01
09	0571016161	PROTECTION CLAW		02
10	0511011774	8,00 CHAIN 4 LINK		40



Item	Code	Description	See page	QT
01	0501010942	3/8" X 1-1/4" BOLT		03
02	0501011600	1/2" X 1-1/4" BOLT		03
03	0503010019	1/2" SPRING WASHER		03
04	0503010025	3/8" SPRING WASHER		03
05	0503010026	3/8" NUT		03
06	0503012682	1/2" BSW NUT		03
07	0511017302	FLAT WASHER		03
08	0571016163	CHAIN PROTECTION BODY		01
09	0571016164	PROTECTION CLAW		01
10	0511011774	8,00 CHAIN 4 LINK		19

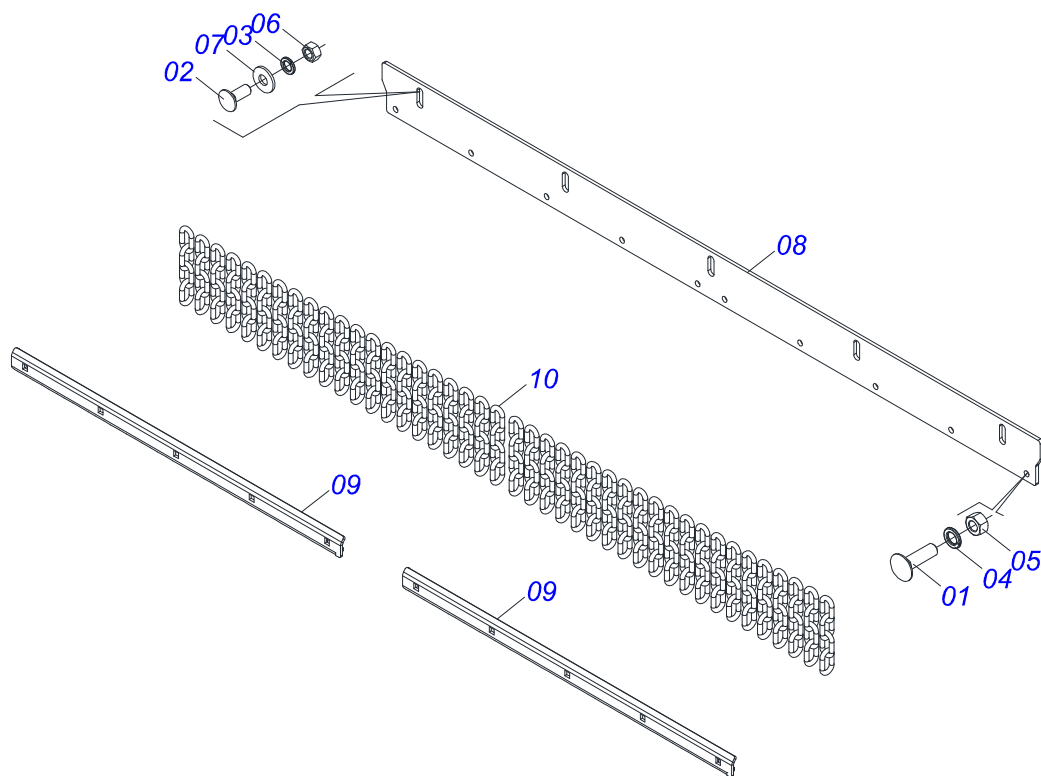


Item	Code	Description	See page	QT
01	0501010942	3/8" X 1-1/4" BOLT		04
02	0501011600	1/2" X 1-1/4" BOLT		04
03	0503010019	1/2" SPRING WASHER		04
04	0503010025	3/8" SPRING WASHER		04
05	0503010026	3/8" NUT		04
06	0503012682	1/2" BSW NUT		04
07	0511017302	FLAT WASHER		04
08	0571016166	CHAIN PROTECTION BODY		01
09	0571016165	PROTECTION CLAW		01
10	0511011774	8,00 CHAIN 4 LINK		21

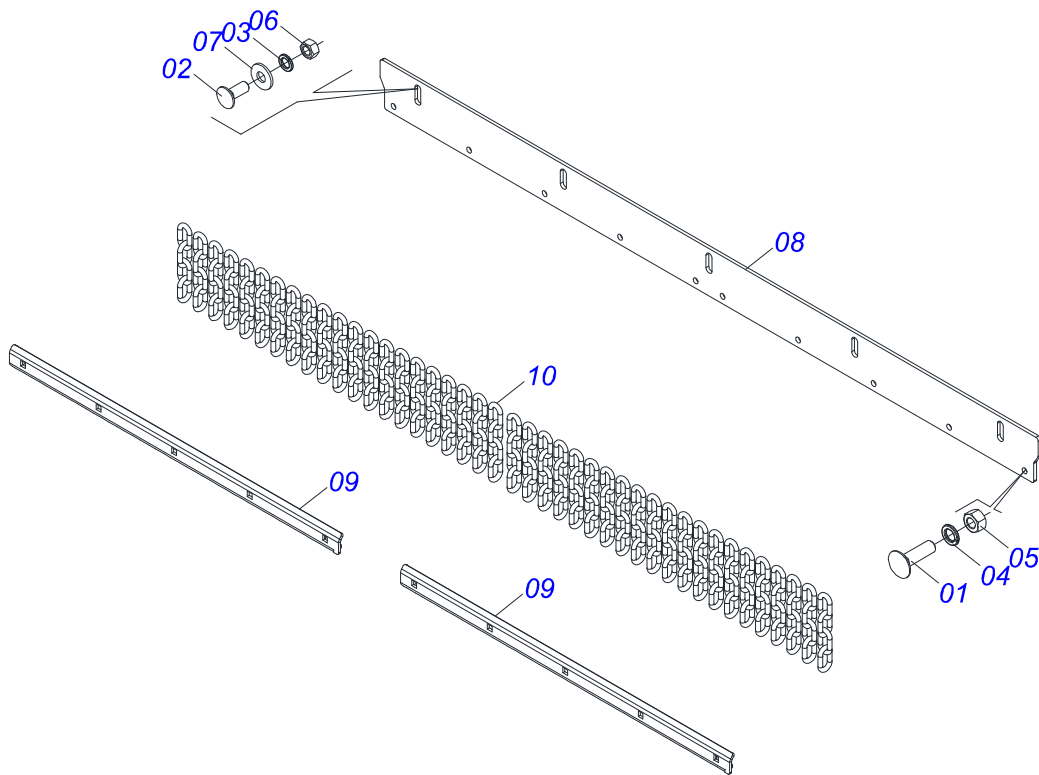


Item	Code	Description	See page	QT
01	0501010942	3/8" X 1-1/4" BOLT		04
02	0501011600	1/2" X 1-1/4" BOLT		04
03	0503010019	1/2" SPRING WASHER		04
04	0503010025	3/8" SPRING WASHER		04
05	0503010026	3/8" NUT		04
06	0503012682	1/2" BSW NUT		04
07	0511017302	FLAT WASHER		04
08	0571016168	CHAIN PROTECTION BODY		01
09	0571016167	PROTECTION CLAW		01
10	0511011774	8,00 CHAIN 4 LINK		17

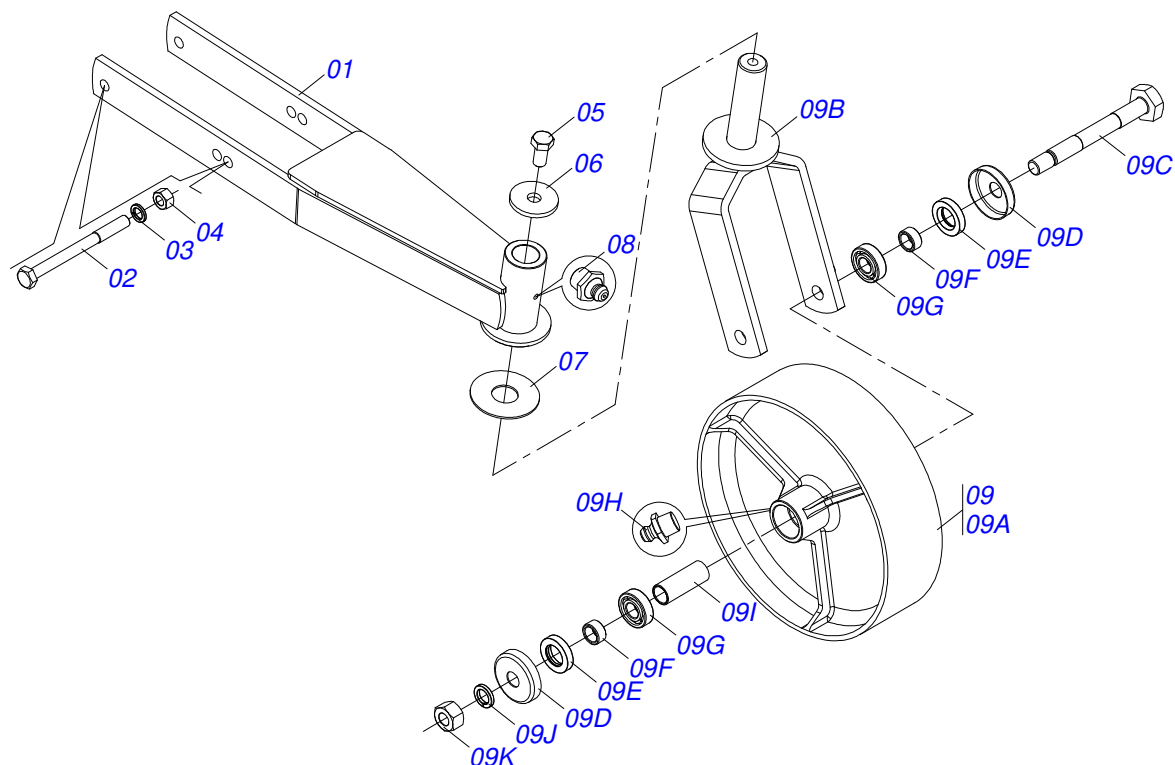




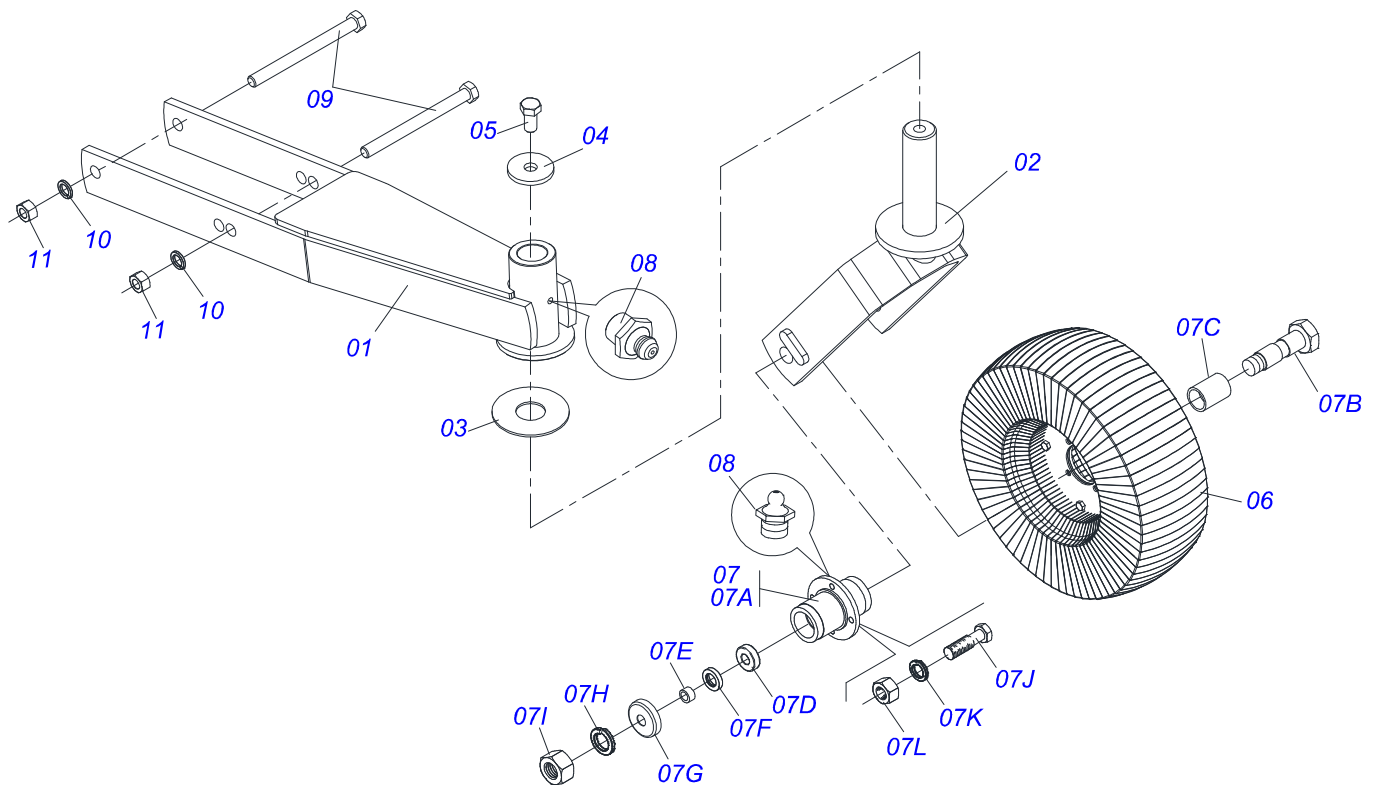
Item	Code	Description	See page	QT
01	0501010942	3/8" X 1-1/4" BOLT		10
02	0501011600	1/2" X 1-1/4" BOLT		05
03	0503010019	1/2" SPRING WASHER		05
04	0503010025	3/8" SPRING WASHER		10
05	0503010026	3/8" NUT		10
06	0503012682	1/2" BSW NUT		05
07	0511017302	FLAT WASHER		05
08	0571016170	CHAIN PROTECTION BODY		01
09	0571016169	PROTECTION CLAW		02
10	0511011774	8,00 CHAIN 4 LINK		32



Item	Code	Description	See page	QT
01	0501010942	3/8" X 1-1/4" BOLT		10
02	0501011600	1/2" X 1-1/4" BOLT		06
03	0503010019	1/2" SPRING WASHER		06
04	0503010025	3/8" SPRING WASHER		10
05	0503010026	3/8" NUT		10
06	0503012682	1/2" BSW NUT		06
07	0511017302	FLAT WASHER		06
08	0571016172	CHAIN PROTECTION BODY		01
09	0571016171	PROTECTION CLAW		02
10	0511011774	8,00 CHAIN 4 LINK		30

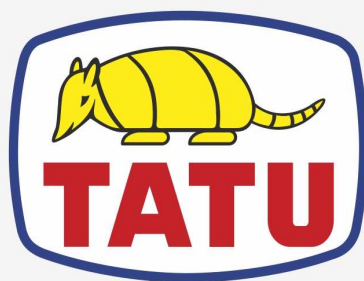


Item	Code	Description	See page	QT
01	0521065281	WHEEL SUPPORT		01
02	0503010795	5/8" X 7" BOLT		02
03	0503010027	5/8" SPRING WASHER		02
04	0503010013	5/8" NUT		02
05	0503010962	5/8" X 1-1/4" BOLT		01
06	0511010721	FLAT WASHER		01
07	0511013239	FLAT WASHER		01
08	0503010002	1800 GREASE FITTING		01
09	0501058460	CARRYING WHEELS		01
09A	0502012519	350 X 100 WHEEL		01
09B	0501065266	WHELL FORK		01
09C	0501017143	WHEEL AXLE		01
09D	0511014254	DUST CLOAK		02
09E	0503010268	00262-B SEAL		02
09F	0521010487	SPACER WASHER		02
09G	0503010269	6204 BALL BEARING		02
09H	0503010002	1800 GREASE FITTING		01
09I	0521010460	0.9" X 1.1" X 2.9" SLEEVE		01
09J	0503011442	3/4" SPRING WASHER		01
09K	0503010014	3/4" NUT		01



Item	Code	Description	See page	QT
01	0501069375	WHEEL SUPPORT		01
02	0501065266	WHELL FORK		01
03	0511013239	FLAT WASHER		01
04	0511010721	FLAT WASHER		01
05	0503010962	5/8" X 1-1/4" BOLT		01
06	0501050433	TIRE WHELL		01
07	0501051587	WHEELS BOX ASSY		01
07A	0502011286	WHEELS BOX ASSY		01
07B	0501017143	WHEEL AXLE		01
07C	0521010460	0.9" X 1.1" X 2.9" SLEEVE		01
07D	0503010269	6204 BALL BEARING		02
07E	0521010487	SPACER WASHER		02
07F	0503010268	00262-B SEAL		02
07G	0511014254	DUST CLOAK		01
07H	0503010023	3/4" SPRING WASHER		01
07I	0503010014	3/4" NUT		04
07J	0501010080	3/8" BOLT		04
07K	0503010025	3/8" SPRING WASHER		04
07L	0503010026	3/8" NUT		02
08	0503010002	1800 GREASE FITTING		01
09	0503010795	5/8" X 7" BOLT		02
10	0503010027	5/8" SPRING WASHER		02
11	0503010013	5/8" NUT		02





**MARCHESAN**

**Technical Publications | Elaboration and Revision**

ALESSANDRA PATRICIA KAWAHARA CARRILI

[www.marchesan.com.br](http://www.marchesan.com.br)

