

## ROTARY CUTTERS

**Code:**

0501091629

**Product:**

RO2 1300 TO 1700

**Series:**

S-1195

**Revision:**

01

**Date Revision:**

JULHO/2013



# PRODUCTS

Code	Description
0104020019	RO2 1300 C/R S-1195
0104020035	RO2 1300 C/R URUGUAI S-1195
0104020023	RO2 1300 C/R C/SUPT CHAPA S-1195
0102040069	RO2 1300 C/R C/PROT CORR S-1195
0104020021	RO2 1300 S/R S-1195
0104020022	RO2 1300 S/R C/SUPT CHAPA S-1195
0104010034	RO2 1500 C/R C/SUPT CHAPA S-1195
0104010041	RO2 1500 C/R C/PROT CORRENTE S-1195
0104010024	RO2 1500 C/R S/PROT EXP S-1195
0104010040	RO2 1500 C/R S/PROT EXP URUG S-1195
0104010033	RO2 1500 S/R C/SUPT CHAPA S-1195
0104010039	RO2 1500 S/R C/PROT CORRENTE S-1195
0104010026	RO2 1500 S/R S/PROT EXP S-1195
0104100019	RO2 1700 C/R C/SUPT CHAPA S-1195
0104100029	RO2 1700 C/R C/PROT CORR S-1195
0104100011	RO2 1700 C/R S/PROT EXP S-1195
0104100024	RO2 1700 C/R S/PROT EXP URUG S-1195
0104100018	RO2 1700 S/R C/SUPT CHAPA S-1195
0104100030	RO2 1700 S/R C/PROT CORR S-1195
0104100013	RO2 1700 S/R S/PROT EXP S-1195
0104040016	RO2 3100 C/R S-1195

## ATTENTION: IMPORTANT

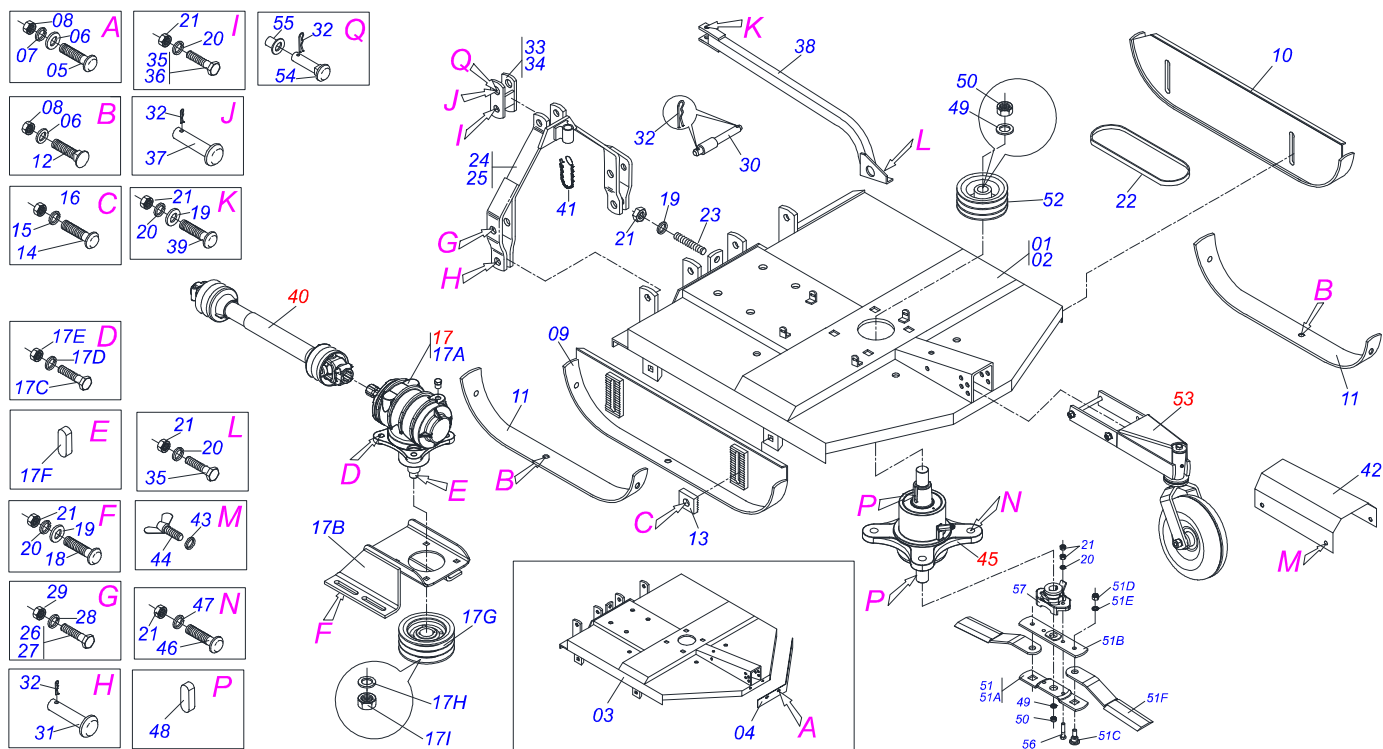
Marchesan S.A. reserves the right to improve and / or modify the technical features of its products, without obligation to do the same with those products already sold and without prior knowledge of the dealer or the consumer.



**MARCHESAN**

# INDEX

0909090497	RO2 1300 A 1700 FRAME ASSY	.....	1
0501046851	MULTIPLIER	.....	2
0501047946	DRIVE SHAFT	.....	3
0511043567	ROTARY CUTTERS HUB ASSY	.....	4
0511047301	CARRYING WHEELS ASSY	.....	5

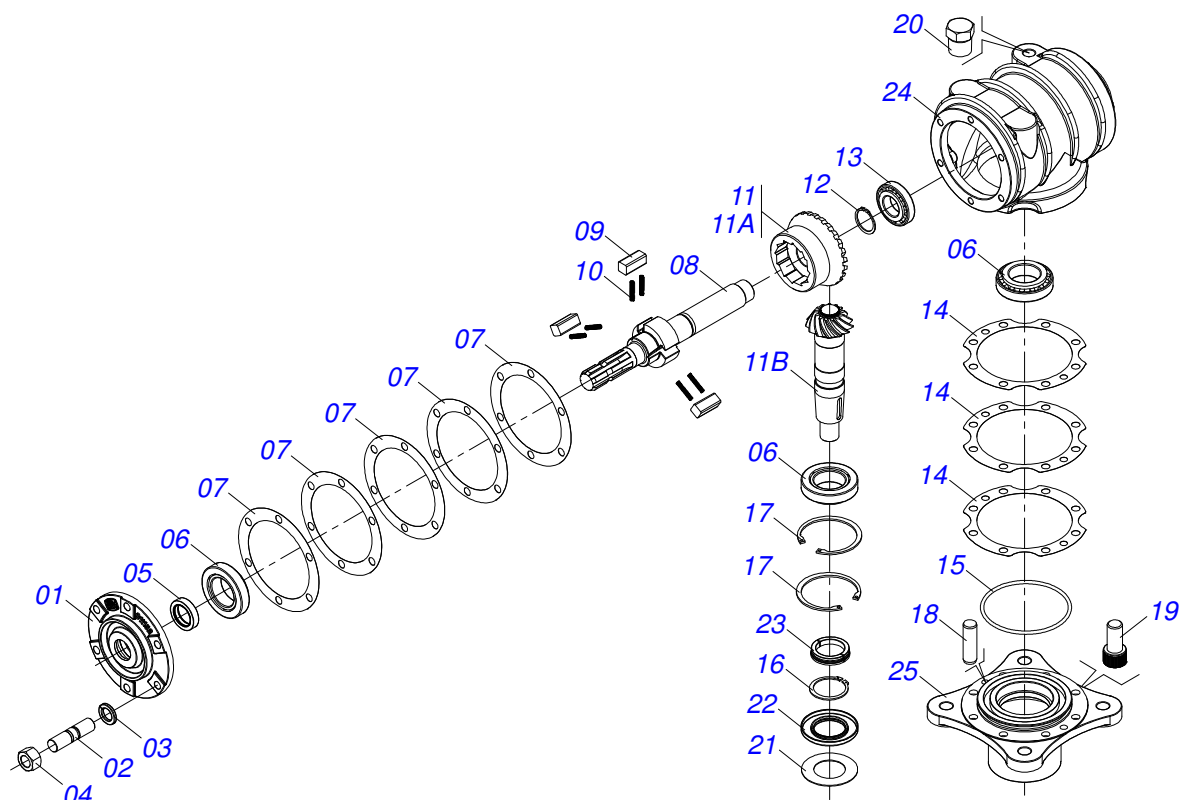


Item	Code	Description	See page	1300	1500	1700
01	0501067582	FRAME		01	00	00
02	0501067554	FRAME		00	01	00
03	0501067568	FRAME		00	00	01
04	0511017002	REAR PROTECTION		00	00	01
05	0501011600	1/2" X 1-1/4" BOLT		00	00	04
06	0511017302	FLAT WASHER		06	06	10
07	0503010019	1/2" SPRING WASHER		00	00	04
08	0503010020	1/2"NUT		04	04	08
09	0511064762	50"SKATE		01	01	02
10	0511064764	50"RIGHT SKID		01	01	00
11	0531019433	SKID GUIDE		02	02	02
12	0503012956	1/2" X 1-1/2" BOLT		06	06	06
13	0502010083	SQUARE WASHER		04	04	04
14	0501014177	5/8" X 2-1/2" BOLT		04	04	04
15	0503010027	5/8" SPRING WASHER		04	04	04
16	0503010013	5/8" NUT		04	04	04
17	0501050966	MULTIPLIER ASSY		01	01	01
17A	0501046851	MULTIPLIER	2	01	01	01
17B	0501067539	MULTIPLIER SUPPORT		01	01	01
17C	0501018059	3/4" X 2-1/4" BOLT		04	04	04
17D	0503011442	3/4" SPRING WASHER		04	04	04
17E	0503010014	3/4" NUT		04	04	04
17F	0501010536	KEYWAY SQUARE		02	02	02
17G	0502011377	REEL 190 X 50 PULLEY		01	01	01
17H	0501017779	32 X 60 X 4.75 FLAT WASHER		01	01	01
17I	0503011052	1.1/4" X 0.77" CASTLE NUT		01	01	01
18	0501010162	3/4" X 4" BOLT		04	04	04
19	0501010322	FLAT WASHER		04	04	04
20	0503010023	3/4" SPRING WASHER		08	08	08
21	0503010014	3/4" NUT		08	08	08
22	0503010153	C-51 BELT		03	03	03

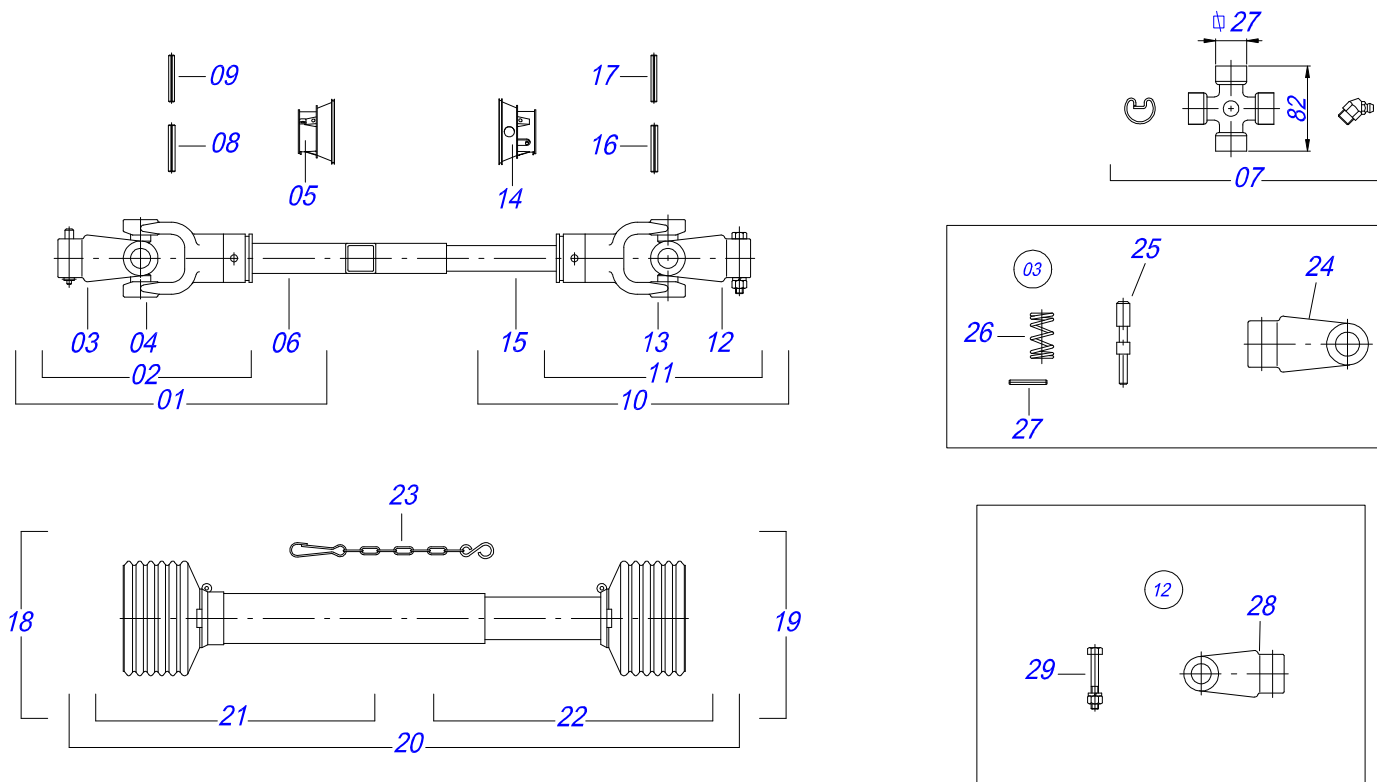


RO2 1300 TO 1700  
RO2 1300 A 1700 FRAME ASSY

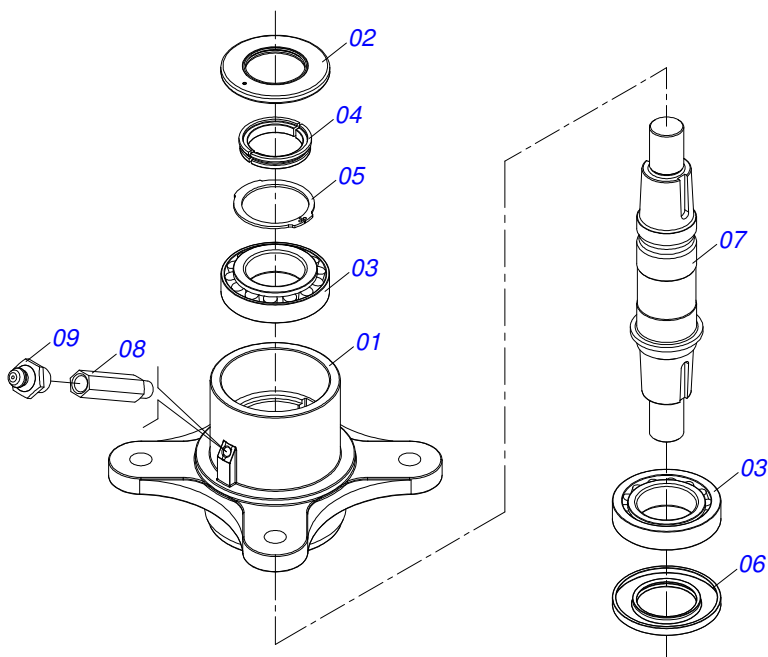
Item	Code	Description	See page	1300	1500	1700
23	0501013451	282 TENSIONER BODY		00	01	01
24	0501065395	DRAWBAR		01	00	00
25	0501067832	DRAWBAR		00	01	01
26	0501010276	BOLT		02	00	00
27	0503011432	BOLT		00	02	02
28	0503010012	1" SPRING WASHER		02	02	02
29	0501010059	1.5/8 NUT		02	02	02
30	0521013311	RC2 1300 AXLE		02	00	00
31	0521010596	COUPLING SHAFT		00	02	02
32	0503031035	HAIR PIN		02	02	02
33	0501060330	PIVOT DOUBLE BAR		01	00	00
34	0501066445	PIVOT DOUBLE BAR		00	01	01
35	0501010216	3/4" X 4-1/2" BOLT		01	00	00
36	0503011198	C3/4" X 6" SCREW		01	01	01
37	0521010578	COUPLING SHAFT		01	01	01
38	0501067540	FRENCH HAND		01	01	01
39	0501017305	3/4" X 2-1/4" BOLT		01	01	01
40	0501047946	DRIVE SHAFT	3	01	01	01
41	0503011981	17.7" CHAIN WITH HOOK/LINK		01	01	01
42	0531017833	PROTECTION COVER OF THE BELT		01	01	01
43	0503010025	3/8" SPRING WASHER		04	04	04
44	0503010256	3/8" X 3/4" BOLT		04	04	04
45	0511043567	ROTARY CUTTERS HUB ASSY	4	01	01	01
46	0503013122	3/4" X 4-1/4" BOLT		04	04	04
47	0503011442	3/4" SPRING WASHER		04	04	04
48	0501010536	KEYWAY SQUARE		04	04	04
49	0561015762	FLAT WASHER		01	01	01
50	0503010817	1.1/4" SELF LOCKING NUT		01	01	01
51	0501056337	ROCADORES SUPPORT		00	00	01
51.	0501056321	SUPPORT ROTARY CUTTER BLADES		00	01	00
51..	0501056322	SUPPORT ROTARY CUTTER BLADES		01	00	00
51A	0561017369	ROTARY LOWER SUPPORT LOWER		00	00	01
51A.	0561017368	ROTARY LOWER SUPPORT		01	01	01
51B	0561017307	SUPPORT UPPER BASE		00	00	01
51B.	0561017308	SUPPORT UPPER BASE		01	01	00
51C	0511019000	BOLT		02	02	02
51D	0503010812	7/8" UNF SELF LOCKING NUT		02	02	02
51E	0503011447	SPRING WASHER		02	02	02
51F	0622400053	20.5" X 3.94" X 0.5" ROTARY CUTTER		02	00	00
51F.	0622400054	24.5" X 3.94" X 0.5" ROTARY CUTTER		00	02	02
52	0502011377	REEL 190 X 50 PULLEY		01	01	01
53	0511047301	CARRYING WHEELS ASSY	5	01	00	00
54	0521013938	HITCH AXLE		01	00	00
55	0521010443	1" SLEEVE		01	00	00
56	0503010901	3/4UNC 3.1/2 BOLT		04	04	04
57	0502012453	SUPPORT FLANGE		02	02	02



Item	Code	Description	See page	QT
01	0502011152	SMALLER COVER		01
02	0503030084	1/2" X 1/2" X 2.0" STUD		06
03	0503011440	SPRING WASHER		06
04	0503010028	1/2" NUT		06
05	0503011171	00912-BRG SEAL		01
06	0503010006	32210 ROLLER BEARING		03
07	0503030783	7.1" X 5.3" X 0.008" JOINT		05
08	0503050063	UPPER AXLE		01
09	0501010649	RATCHET CLICK		03
10	0503030051	0.2" X 1" X 0.1" COMPRESSION SPRING		06
11	0503060210	CROWN PINION SET		01
11A	0503050074	25Z CONICAL GEAR		01
11B	0503061048	PINION		01
12	0503010217	501040 CLAMPING RING (FOR AXLE)		01
13	0503010037	30207 ROLLER BEARING		01
14	0503030785	7.9" X 5.9" X 0.008" JOINT		03
15	0503010286	2-355 N 3006-9B O-RING		01
16	0503010396	501060 CLAMPING RING (FOR AXLE)		01
17	0503011190	SEAL RING		02
18	0503017877	PIN GUIDE		02
19	0503010562	1/2" X 1" BOLT		08
20	0503031604	1/2" BSP PLUG		01
21	0521018064	FLAT WASHER		01
22	0503011047	5089 SEAL		01
23	0511010142	LOCK RING		01
24	0502010984	LEFT MULTIPLIER BOX		01
25	0502011393	LOWER HUB		01

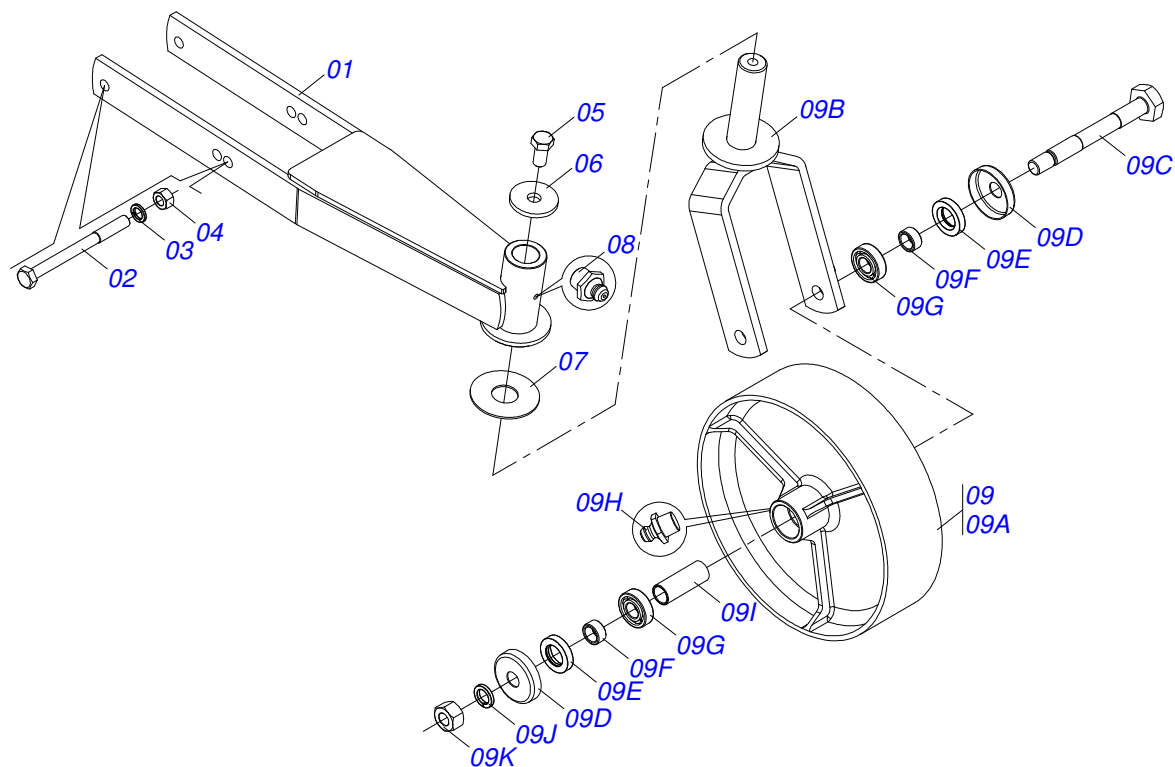


Item	Code	Description	See page	QT
01	0501050270	UNIVERSAL JOINT WITH SLEEVE		01
02	0501050265	UNIVERSAL JOINT		01
03	0501050333	1-40 TERMINAL WITH HITCH		01
04	0502010565	2-40 TERMINAL W/ SH 1.5"/1.5"		01
05	0503012069	ADAPTER FOR BUSHING PROTECT		01
06	0501017427	20" X 1.5" SQUARE SLEEVE		01
07	0503010836	CARDAN CROSSPIECE		02
08	0503011069	0.4" X 2.8" SPRING PIN		01
09	0503010510	0.2" X 2.6" SPRING PIN		01
10	0501050867	UNIVERSAL JOINT WITH SHAFT		01
11	0501050449	UNIVERSAL JOINT		01
12	0501052526	T8-40 TERMINAL WITH SCREW		01
13	0502010566	3-40 TERMINAL WITH SH 1.2"/1.2"		01
14	0503012070	ADAPTER FOR AXLE PROTECTION		01
15	0501017423	1.2" X 19.6" SQUARE SHAFT		01
16	0503010361	SPRING PIN		01
17	0503010756	0.2" X 2.4" SPRING PIN		01
18	0501051694	UNIVERSAL JOINT WITH SLEEVE/PROT		01
19	0501051695	UNIVERSAL JOINT WITH AXLE/PROT		01
20	0503012066	PROTECTION ASSY		01
21	0503012067	PROTECTION FOR UNIV JOINT AND SLEEV		01
22	0503012068	PROTECTION FOR UNIV JOINT AND AXLE		01
23	0503012023	CHAIN FOR PROTECTION		02
24	0502010563	1-40 STRIATED 1.3/8" TERMINAL		01
25	0521010638	0.5" X 3.3" QUIC HITCH COUPL SHAFT		01
26	0503030518	0.5" X 1.0" X 0.1" COMPRESSION SPRING		01
27	0503010838	0.1" X 0.8" SPRING PIN		01
28	0502010876	8-40 STRIATED 1.3/8 TERMINAL		01
29	0501047756	1/2" X 3" SET PARTS		01



Item	Code	Description	See page	QT
01	0502012294	DROP HUB		01
02	0503013201	ARCA 6016 BRG SEAL		01
03	0503012418	32211 ROLLER BEARING		02
04	0541014445	LOCK RING		01
05	0503012311	501065 RENO RING		01
06	0503013211	6016 BRG SEAL		01
07	0541014095	ROTARY CUTTERS SMALLER AXLE		01
08	0501019757	EXTENSION GREASE FITTING		01
09	0503010002	1800 GREASE FITTING		01





Item	Code	Description	See page	QT
01	0521065281	WHEEL SUPPORT		01
02	0503010795	5/8" X 7" BOLT		02
03	0503010027	5/8" SPRING WASHER		02
04	0503010013	5/8" NUT		02
05	0503010962	5/8" X 1-1/4" BOLT		01
06	0511010721	FLAT WASHER		01
07	0511013239	FLAT WASHER		01
08	0503010002	1800 GREASE FITTING		01
09	0501058460	CARRYING WHEELS		01
09A	0502012519	350 X 100 WHEEL ASSY		01
09B	0501065266	WHELL FORK		01
09C	0501017143	WHEEL AXLE		01
09D	0511014254	DUST CLOAK		02
09E	0503010268	00262-B SEAL		02
09F	0521010487	SPACER WASHER		02
09G	0503010269	6204 BALL BEARING		02
09H	0503010002	1800 GREASE FITTING		01
09I	0521010460	0.9" X 1.1" X 2.9" SLEEVE		01
09J	0503011442	3/4" SPRING WASHER		01
09K	0503010014	3/4" NUT		01





[www.marchesan.com.br](http://www.marchesan.com.br)



**Technical Publications | Elaboration and Revision**  
ALESSANDRA PATRICIA KAWAHARA CARRILI