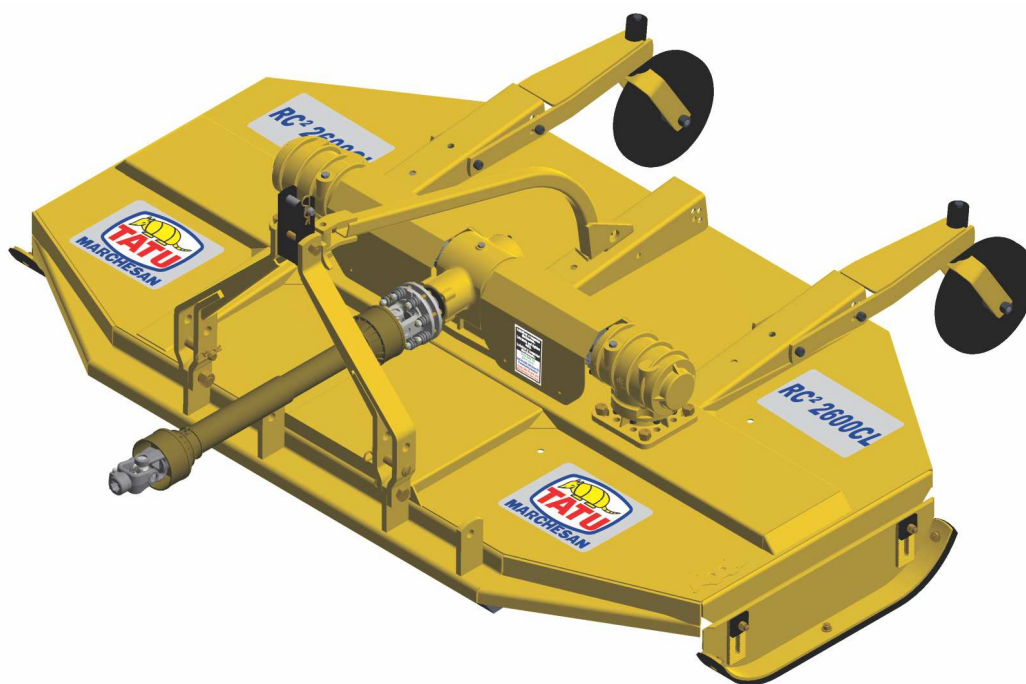


PARTS CATALOG

ROTARY CUTTERS

RC2 2600 CL / 02 RODAS

Code: 0501091627



Series: S-0205

Review: ABRIL/2016

ORIGINAL PARTS
TATU



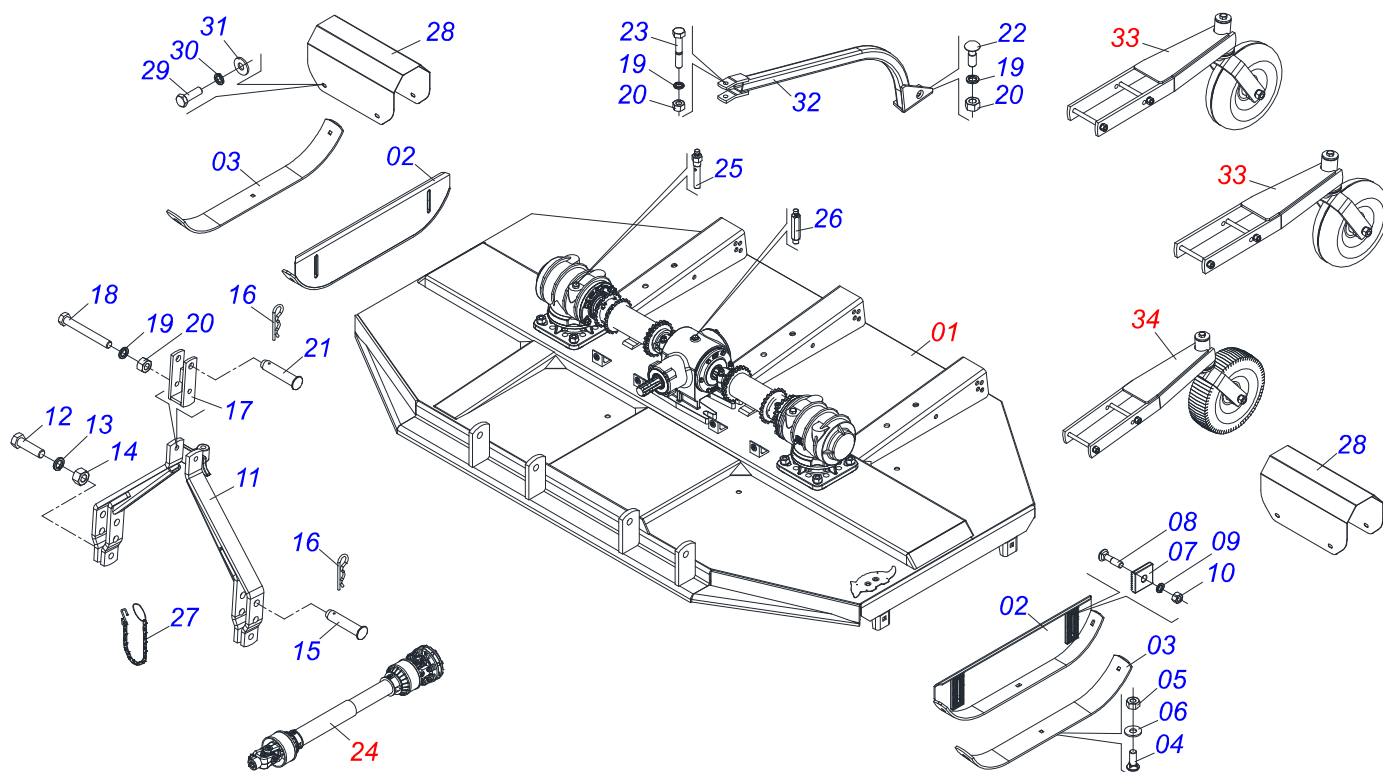
INDEX

0909090904	FRAME	1
0501058021	SEMIFINISHED FRAME	2
0511047301	CARRYING WHEELS ASSY	3
0501043642	RUBBER WHEEL ASSY	4
0511043450	DRIVE SHAFT	5
0501056010	FRICTION CLUTCH	6
0501055991	SUPPORT WITH ROTARY CUTTER BLADES	7
0511042158	RH MULTIPLIER	8
0511041608	DOUBLE DISTRIBUTOR	9
0909091430	(SHEET METAL SUPPORT)SPARE	10

ATTENTION: IMPORTANT

MARCHESAN RESERVES THE RIGHT AT ANY TIME TO MAKE IMPROVEMENTS IN THE DESIGN, MATERIAL OR SPECIFICATIONS OF MACHINERY, EQUIPMENT OR PARTS WITHOUT THEREBY BECOMING LIABLE TO MAKE SIMILAR CHANGES IN MACHINERY, EQUIPMENT OR PARTS PREVIOUSLY SOLD.

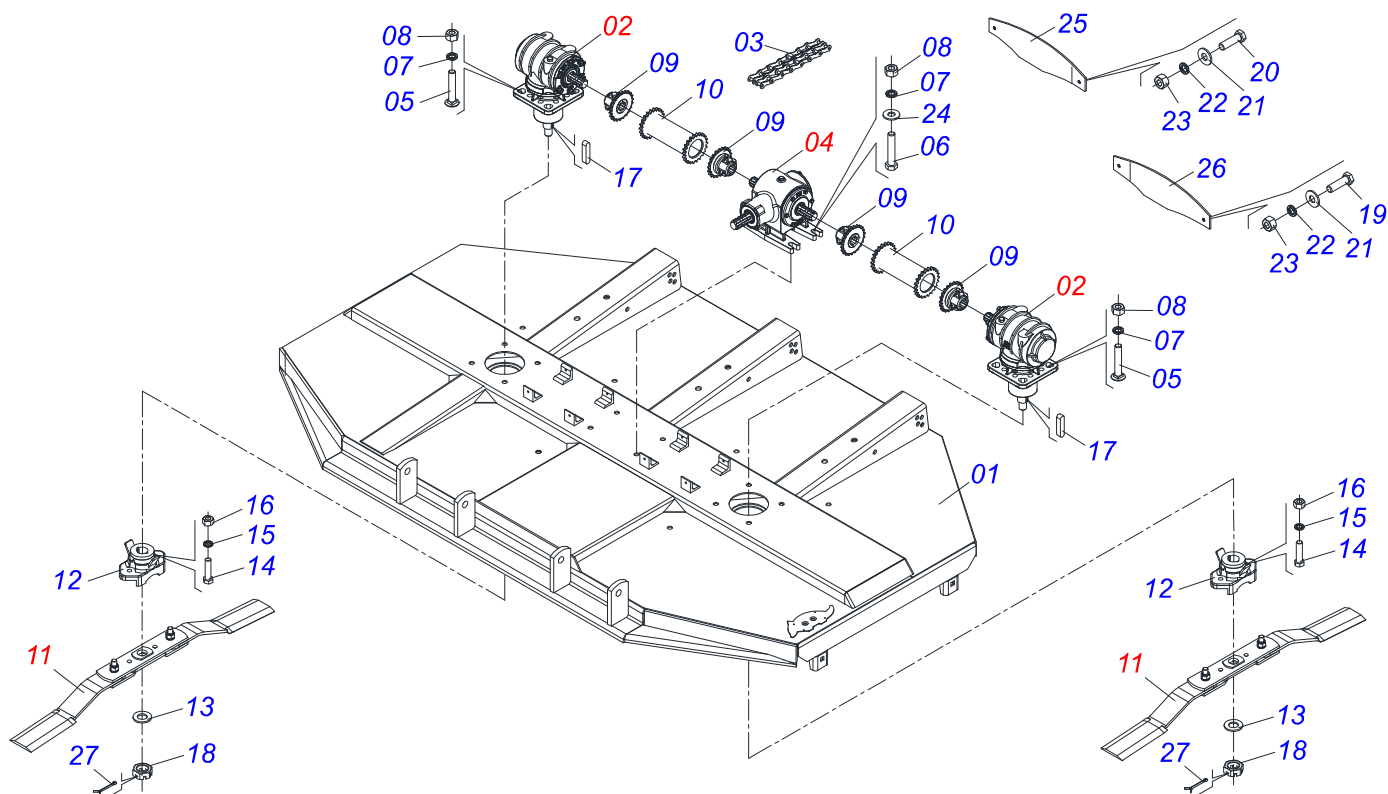
FRAME



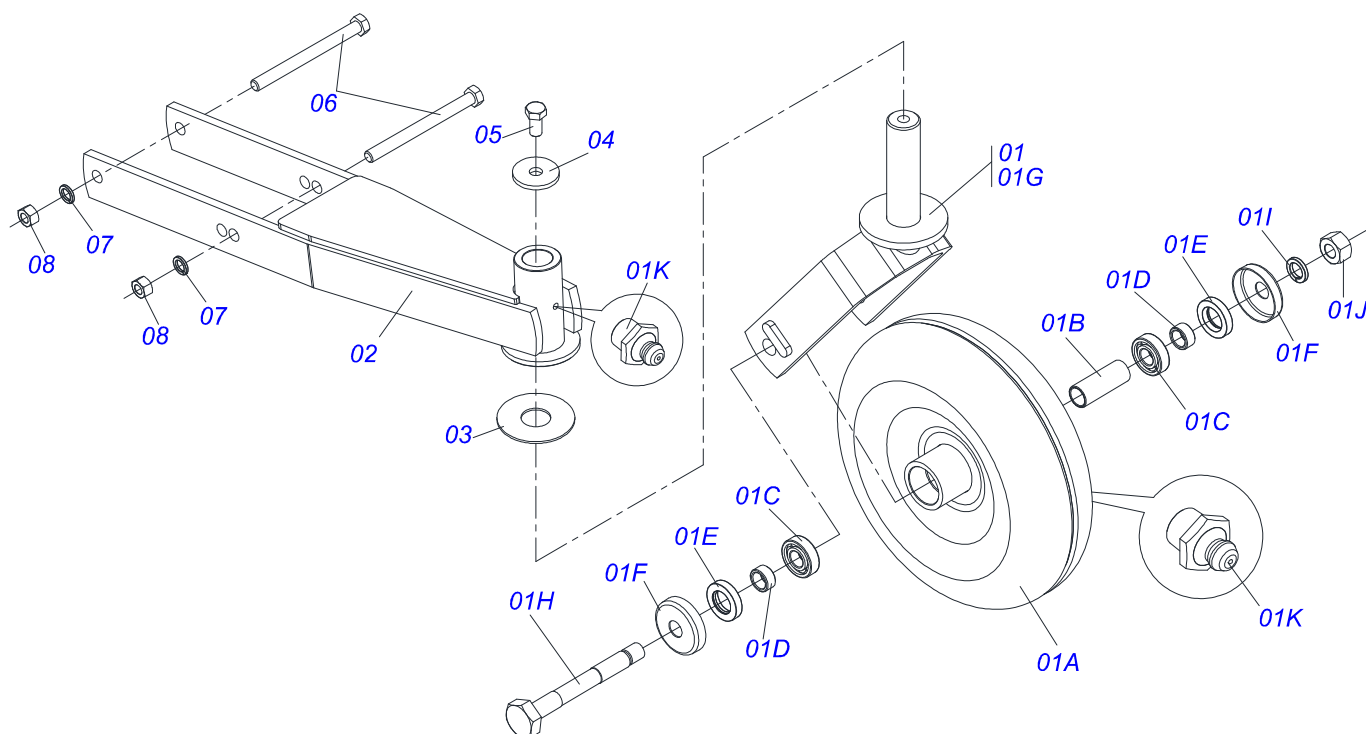
Item	Code	Description	QT
01	0501058021	SEMIFINISHED FRAME	01
02	0511064760	930 SKID	02
03	0531019436	SKID GUIDE	02
04	0503012956	1/2" X 1-1/2" BOLT	06
05	0503010020	1/2" NUT	06
06	0511017302	FLAT WASHER	06
07	0502010083	SQUARE WASHER	04
08	0501014177	5/8" X 2-1/2" BOLT	04
09	0503010027	5/8" SPRING WASHER	04
10	0503010013	5/8" NUT	04
11	0501066446	DRAWBAR	01
12	0501010171	1" X 3-1/2" BOLT	02
13	0503010012	1" SPRING WASHER	02
14	0501010059	1" NUT	02
15	0521010596	COUPLING SHAFT	02
16	0503031035	HAIR PIN	02
17	0501066445	PIVOT DOUBLE BAR	01
18	0503011198	3/4" X 6" BOLT	01
19	0503010023	3/4" SPRING WASHER	03
20	0503010014	3/4" NUT	03
21	0521010578	0.9" X 4.3" COUPLING SHAFT	01
22	0501017305	3/4" X 2-1/4" BOLT	01
23	0501010216	3/4" X 4-1/2" BOLT	01
24	0511043450	DRIVE SHAFT	01
25	0501110186	OIL SMALLER LEVEL INDICATOR	01
26	0501110843	DOBLE DISTRIBUTOR HOLE	01
27	0503011981	17.7" CHAIN WITH HOOK/LINK	01
28	0541015841	PROTETION COVER	02
29	0503010256	3/8" X 3/4" BOLT	08
30	0503010025	3/8" SPRING WHASHER	08
31	0501010984	FLAT WASHER	08
32	0521065849	CARRYING WHEELS ASSY	01
33	0511047301	CARRYING WHEELS ASSY	02



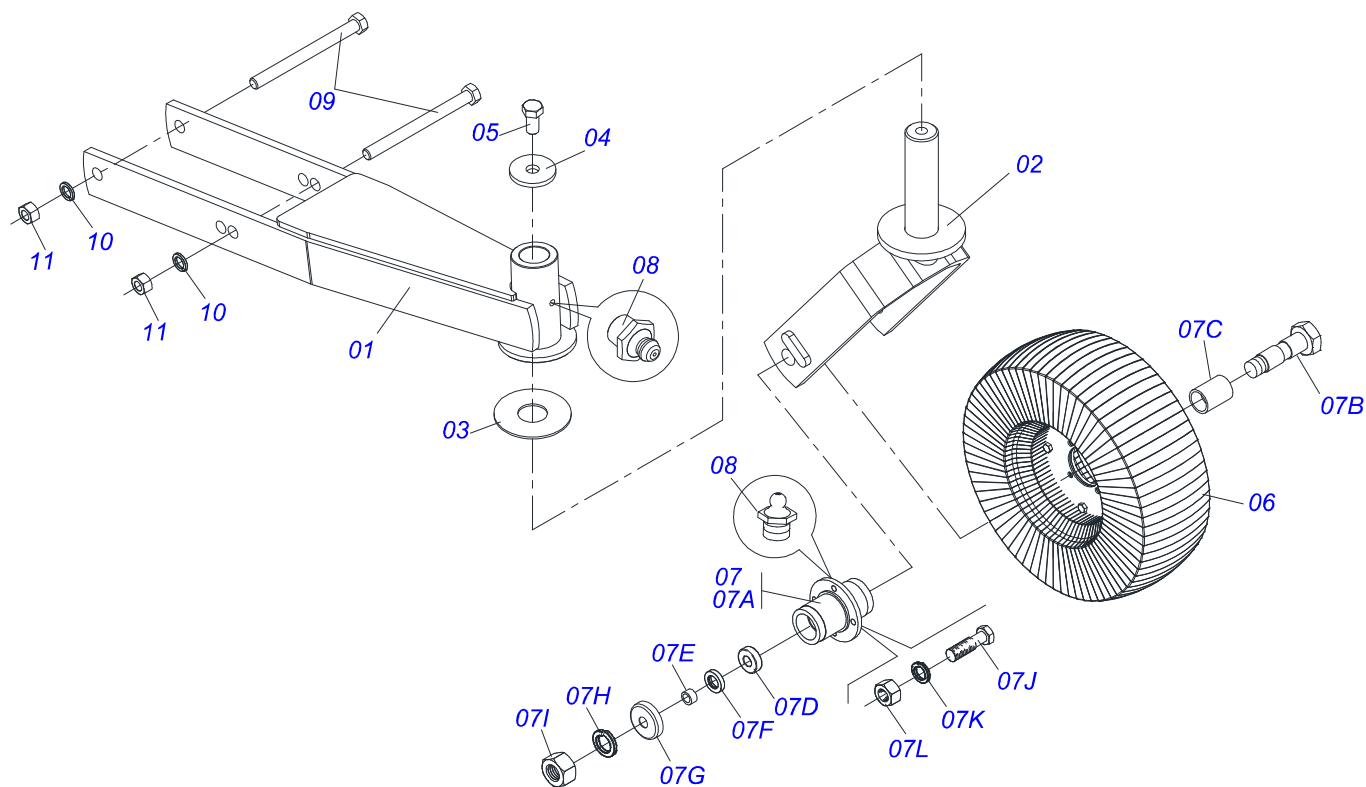
Item	Code	Description	QT
34	0501043642	RUBBER WHEEL ASSY	02



Item	Code	Description	QT
001	0511069382	FRAME TO WHEELS	01
002	0511042158	RH MULTIPLIER	02
003	0503013471	60-2 X 21 CHAIN LINK + MENDING	04
004	0511041608	DOUBLE DISTRIBUTOR	01
005	0503010797	3/4" X 4" BOLT	08
006	0501010216	3/4" X 4-1/2" BOLT	04
007	0503011442	3/4" SPRING WASHER	12
008	0503010014	3/4" NUT	12
009	0511067340	1.3/4 TERMINAL	04
010	0511066368	174,5 COUPLING (RC2 2600 CL)	02
011	0501055991	SUPPORT WITH ROTARY CUTTER BLADES	02
012	0502012453	SUPPORT FLANGE	02
013	0501017779	FLAT WASHER	02
014	0503011328	3/4" X 4" BOLT	04
015	0503011442	3/4" SPRING WASHER	04
016	0503010014	3/4" NUT	04
017	0501010536	0.4" X 1.7" KEYWAY SQUARE	02
018	0503011052	1.1/4" X 0.77" CASTLE NUT	02
019	0501011600	1/2" X 1-1/4" BOLT	02
020	0501010243	1/2" X 1-1/2" BOLT	02
021	0511017302	FLAT WASHER	04
022	0503011440	1/2" SPRING WASHER	04
023	0503010020	1/2" NUT	04
024	0501010322	FLAT WASHER	04
025	0511019204	35.4" LEFT PROTECTION	01
026	0511019205	35.4" RIGHT PROTECTION	01
027	0503010067	3/16" X 2.1/2" COTTER PIN	02

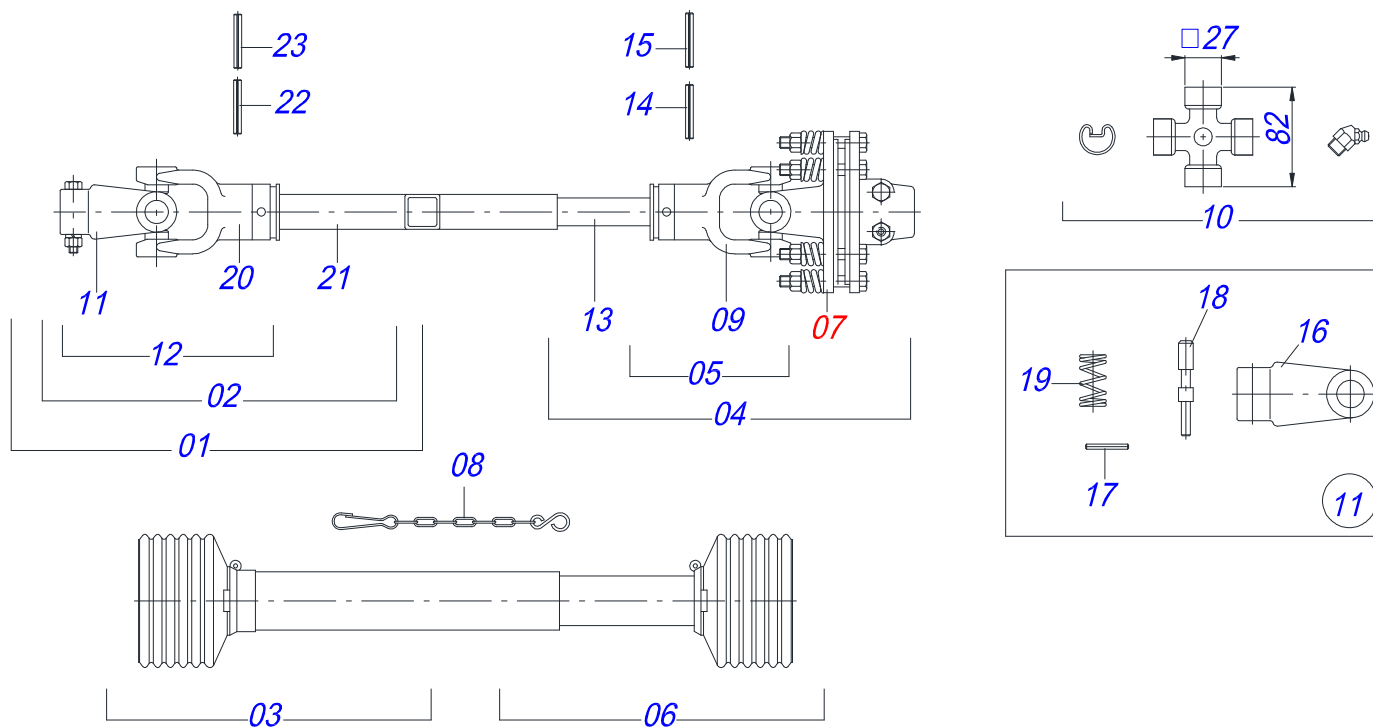


Item	Code	Description	
01	0501058460	CARRYING WHEELS	01
01A	0501063309	13.8" X 4.33" WHEEL ASSY	01
01B	0521010460	0.9" X 1.1" X 2.9" SLEEVE	01
01C	0503010269	6204 BALL BEARING	02
01D	0521010487	SPACER WASHER	02
01E	0503010268	00262-B SEAL	02
01F	0511014254	DUST CLOAK	02
01G	0501065266	WHELL FORK	01
01H	0501017143	WHEEL AXLE	01
01I	0503010023	3/4" SPRING WASHER	01
01J	0503010014	3/4" NUT	01
01K	0503010002	GREASE FITTING	02
02	0501069375	WHEEL SUPPORT	01
03	0511013239	FLAT WASHER	01
04	0511010721	FLAT WASHER	01
05	0503010962	5/8" X 1-1/4" BOLT	01
06	0503010795	5/8" X 7" BOLT	02
07	0503010027	5/8" SPRING WASHER	02
08	0503010013	5/8" NUT	02

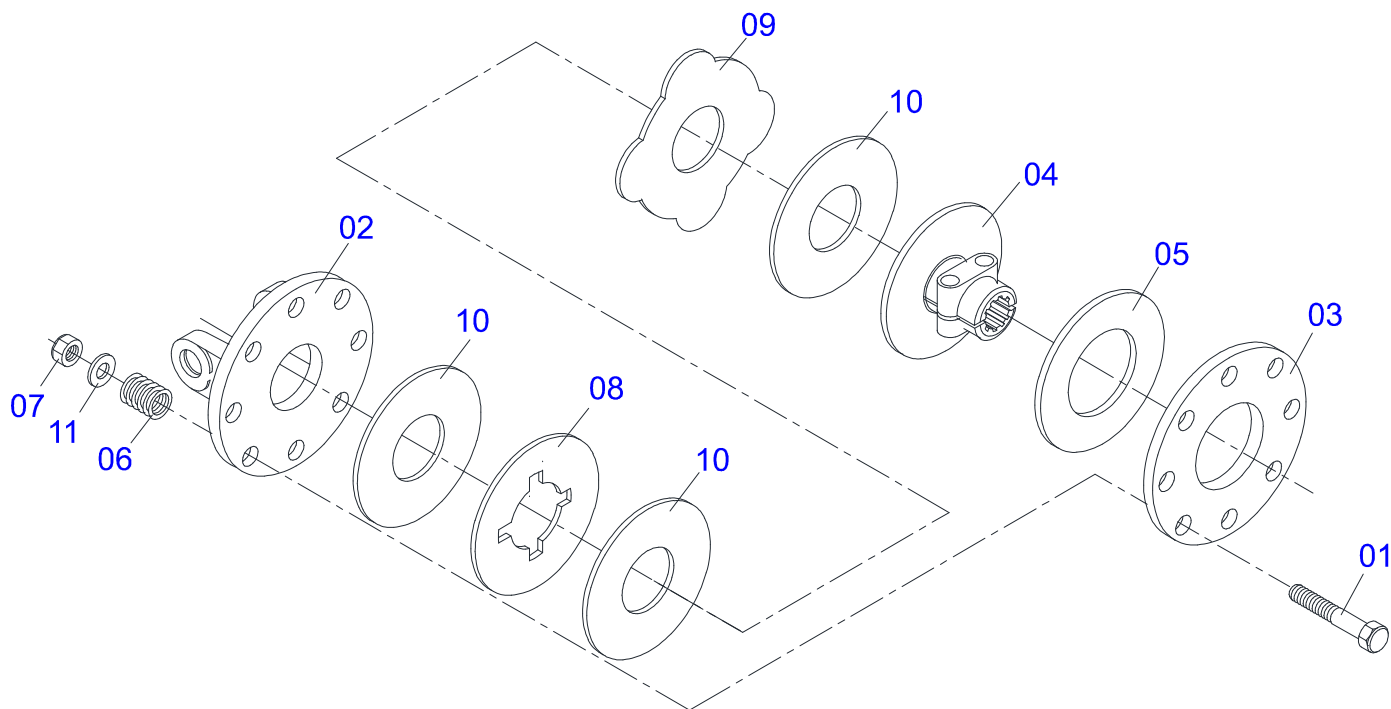


Item	Code	Description	
01	0501069375	WHEEL SUPPORT	01
02	0501065266	WHELL FORK	01
03	0511013239	FLAT WASHER	01
04	0511010721	FLAT WASHER	01
05	0503010962	5/8" X 1-1/4" BOLT	01
06	0501050433	TIRE WHELL	01
07	0501051587	WHEELS BOX ASSY	01
07A	0502011286	WHEELS BOX ASSY	01
07B	0501017143	WHEEL AXLE	01
07C	0521010460	0.9" X 1.1" X 2.9" SLEEVE	01
07D	0503010269	6204 BALL BEARING	02
07E	0521010487	SPACER WASHER	02
07F	0503010268	00262-B SEAL	02
07G	0511014254	DUST CLOAK	01
07H	0503010023	3/4" SPRING WASHER	01
07I	0503010014	3/4" NUT	04
07J	0501010080	3/8" X 1-1/2" BOLT	04
07K	0503010025	3/8" SPRING WHASHER	04
07L	0503010026	3/8" NUT	02
08	0503010002	GREASE FITTING	01
09	0503010795	5/8" X 7" BOLT	02
10	0503010027	5/8" SPRING WASHER	02
11	0503010013	5/8" NUT	02

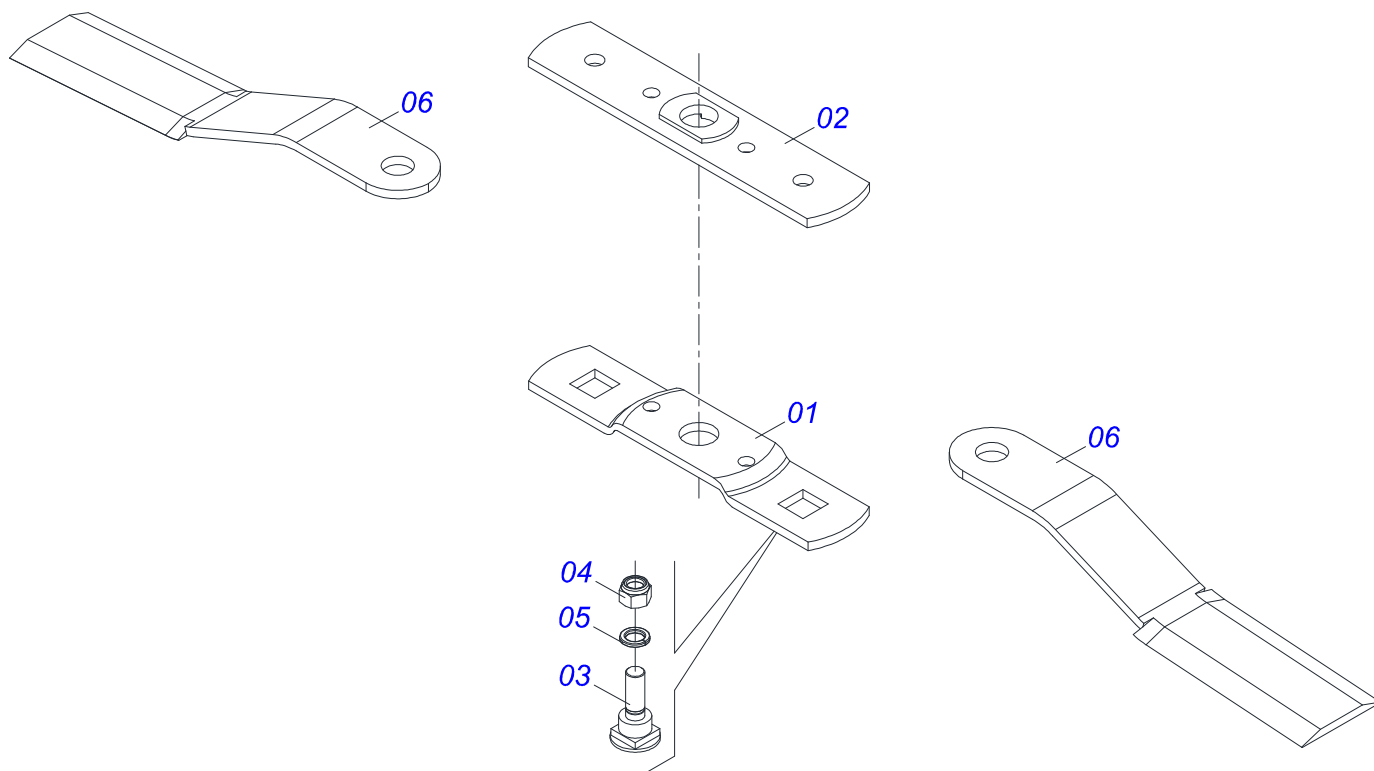
DRIVE SHAFT



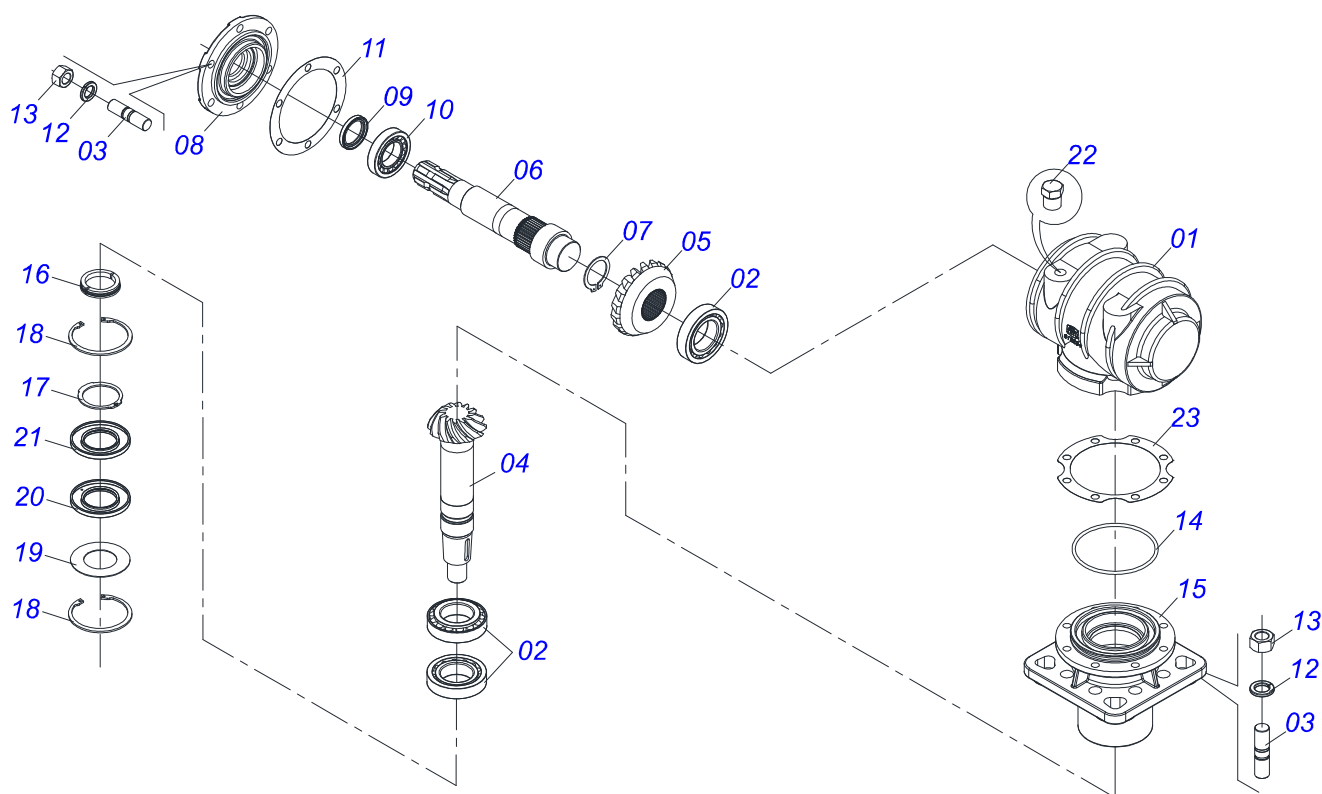
Item	Code	Description	
01	0501056228	PROT/SLEEVE UNIVERSAL JOINT	01
02	0501056227	UNIVERSAL JOINT WITH SLEEVE	01
03	0503013619	PROTECTION FOR UNIV JOINT AND SLEEV	01
04	0501056229	UNIVERSAL JOINT WITH AXLE/PROT	01
05	0501056226	UNIVERSAL JOINT WITH SHAFT	01
06	0503013620	PROTECTION FOR UNIV JOINT AND AXLE	01
07	0501056010	FRICITION CLUTCH	01
08	0503012023	CHAIN FOR UNIV JOINT PROTECTION	02
09	0502010571	3-60 TERMINAL W/ SH 1.43"/1.43"	02
10	0503010837	CARDAN CROSSPIECE	01
11	0501056223	TERM 1-60 C/CANAL CC50	01
12	0501056225	UNIVERSAL JOINT	01
13	0541016743	36,51 X 800 SQUARE SHAFT	01
14	0503011069	0.4" X 2.8" SPRING PIN	01
15	0503011805	0.2" X 2.8" SPRING PIN	01
16	0502011421	1-60 TERMINAL	01
17	0503010838	0.1" X 0.8" SPRING PIN	01
18	0521010638	0.5" X 3.3" QUIC HITCH COUPL SHAFT	01
19	0503030518	0.5"X1.0"X 0.1" COMPRESSION SPRING	01
20	0502010570	2-60 TERMINAL W/ SH 1.8"/1.8"	01
21	0541016742	45,3 X Q37,2 SQUARE SLEEVE	01
22	0503010843	0.4" X 3.3" SPRING PIN	01
23	0503011878	0.2" X 3.3" SPRING PIN	01



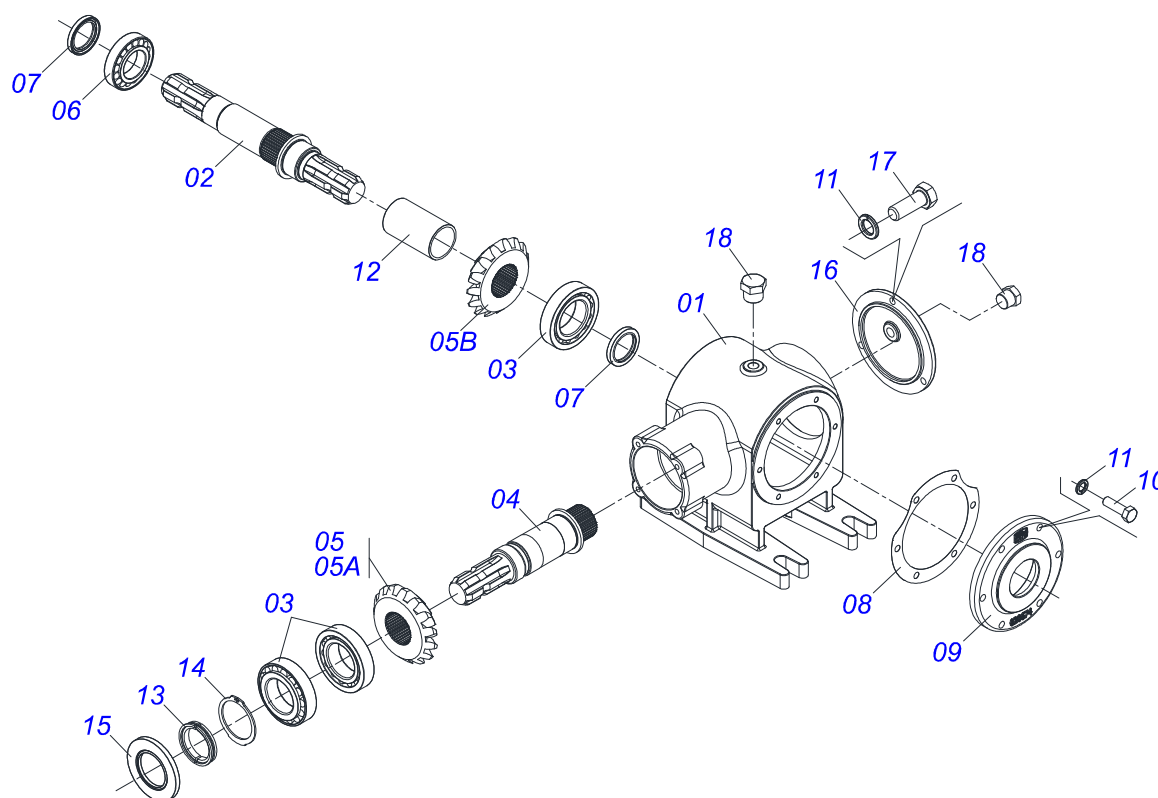
Item	Code	Description	
01	0503013564	FRICION BOLT	08
02	0503013554	FLANGE	01
03	0503013557	COUPLING DISC	01
04	0503013556	CENTRAL CORE	01
05	0503013555	FRICION DISC	01
06	0503013558	FRICION SPRING	08
07	0503013559	FRICION NUT	08
08	0503013561	NOTCHED DISC	01
09	0503013560	INTERMEDIATE DISC	01
10	0503013562	FRICION DISC	01
11	0503013563	FRICION WASHER	08



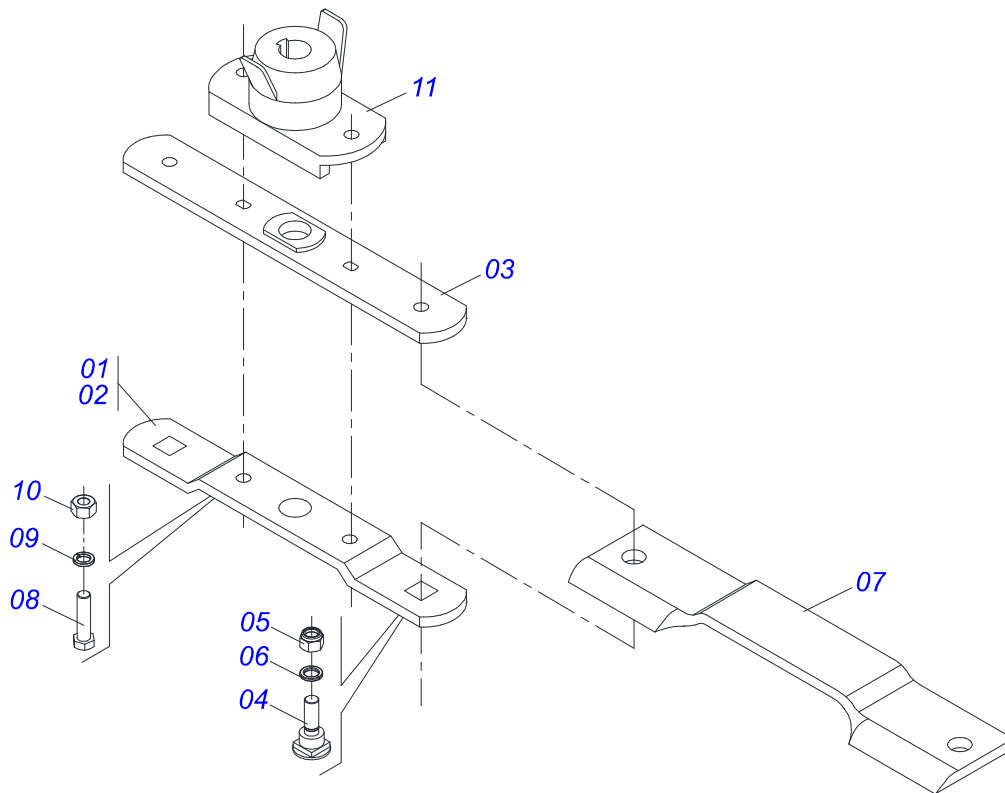
Item	Code	Description	QT
001	0561017368	ROTARY LOWER SUPPORT	01
002	0561017308	SUPPORT UPPER BASE	01
003	0511019000	BOLT	02
004	0503010812	7/8" UNF SELF ADJUSTING NUT	02
005	0503011447	7/8" SPRING WASHER	02
006	0622400057	21.6" X 3.94" X 0.5" ROTARY CUTTER	02



Item	Code	Description	
01	0502012204	SPEED MULTIPLER BOX	01
02	0503012418	32211 ROLLER BEARING	03
03	0503030084	1/2" X 1/2" X 2.0" STUD	14
04	0503031917	12Z LOWER CONICAL GEAR	01
05	0503031918	18Z CONICAL GEAR	01
06	0503031916	UPPER AXLE	01
07	0503014772	501056 CLAMPING RING (FOR AXLE)	01
08	0502012203	RH COVER MULTIPLIER	01
09	0503012103	5301 -BSEAL	01
10	0503010750	30209 BALL BEARING	01
11	0503030783	7.1" X 5.3" X 0.008" JOINT	06
12	0503011440	1/2" SPRING WASHER	06
13	0503010028	1/2" NUT	06
14	0503010286	2-355 N 3006-9B O'RING	01
15	0502012206	LOWER HUB	01
16	0531019302	LOCK RING	01
17	0503012311	501065 RENO RING	01
18	0503011420	502100 CLAMPING RING (FOR AXLE)	02
19	0531018823	FLAT WASHER	01
20	0503013211	6016 BRG SEAL	01
21	0503013201	ARCA 6016 BRG SEAL	01
22	0503031604	1/2" BSP PLUG	01
23	0503030785	7.9" X 5.9" X 0.008" JOINT	03



Item	Code	Description	
01	0502012178	DOUBLE DISTRIBUTOR BOX	01
02	0503033141	LARGER AXLE	01
03	0503012418	32211 ROLLER BEARING	03
04	0503033142	SMALLER AXLE S-0503 EG-1935	01
05	0503060607	GEAR ASSY FOR DOUBLE DISTRIBUTOR	01
05A	0503033139	RIGHT 15Z CONICAL GEAR	01
05B	0503033140	15Z LEFT CONICAL GEAR	01
06	0503010750	30209 BALL BEARING	01
07	0503012103	5301 -BSEAL	02
08	0503030228	7.1" X 5.3" X 0.008" JOINT	01
09	0502020674	DISTRIBUTOR DOUBLE COVER	01
10	0503010751	BOLT	06
11	0503011443	3/8" SPRING WASHER	09
12	0551018078	SLEEVE FLANGE BALL BEARING	01
13	0531019302	LOCK RING	01
14	0503012311	501065 RENO RING	01
15	0503013201	ARCA 6016 BRG SEAL	01
16	0502020160	COVER WITH DOUBLE DISTRIBUTOR	01
17	0503010237	3/8" X 1" BOLT	03
18	0503010856	3/8" OIL PLUG	02



Item	Code	Description	QT
01	0501056326	SUPPORT WITH ROTARY CUTTER BLADES	01
02	0561017368	ROTARY LOWER SUPPORT	01
03	0561017308	SUPPORT UPPER BASE	01
04	0511019000	BOLT	02
05	0503010812	7/8" UNF SELF ADJUSTING NUT	02
06	0503011447	7/8" SPRING WASHER	02
07	0622400057	21.6" X 3.94" X 0.5" ROTARY CUTTER	02
08	0503010901	3/4" X 3-1/2" BOLT	02
09	0503010023	3/4" SPRING WASHER	02
10	0503010014	3/4" NUT	02
11	0502012453	SUPPORT FLANGE	01



MARCHESAN IMPLEMENTOS E MÁQUINAS AGRÍCOLAS TATU S.A.

AV. Marchesan, 1979 - Post office box, 131 - CEP 15994-900 - Matão - SP - Brazil

Phone +55 16.3382-8282

(FAX Parts) + 55 16.3382. 8297 - (Export) + 55 16.3382.1003

e.mail: tatu@marchesan.com.br www.marchesan.com.br

*Drafting and Illustration = GASPARI
e.mail = jgaspari@marchesan.com.br*

**ORIGINAL PARTS
TATU**

