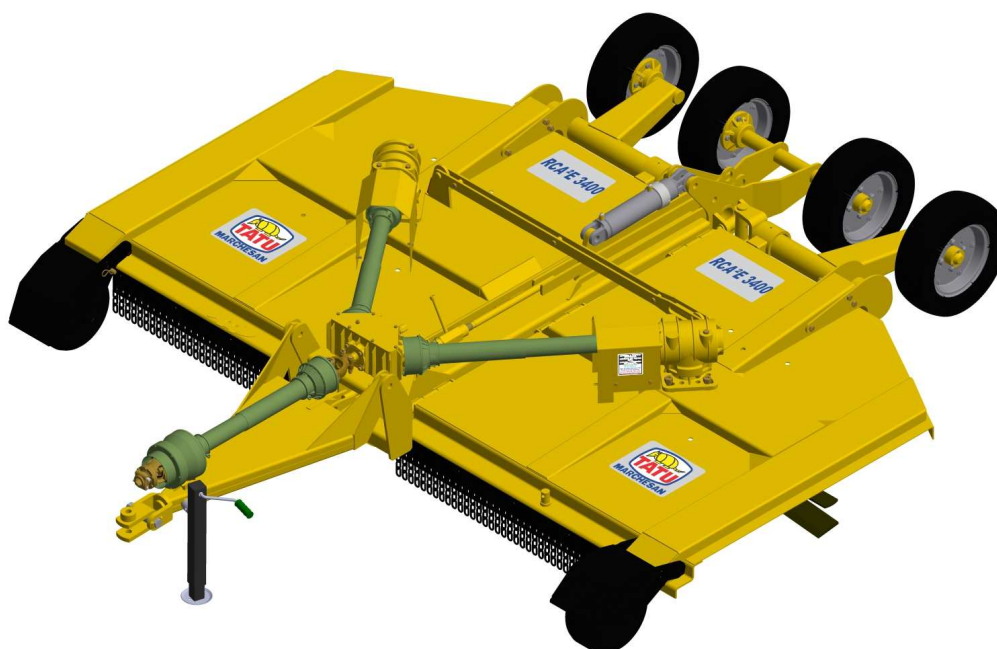


PARTS CATALOG

ROTARY CUTTERS

RCA2E 3400

Code: 0501091625



Series: S-1200

Review: MAIO/2016

ORIGINAL PARTS
TATU



PRODUCTS

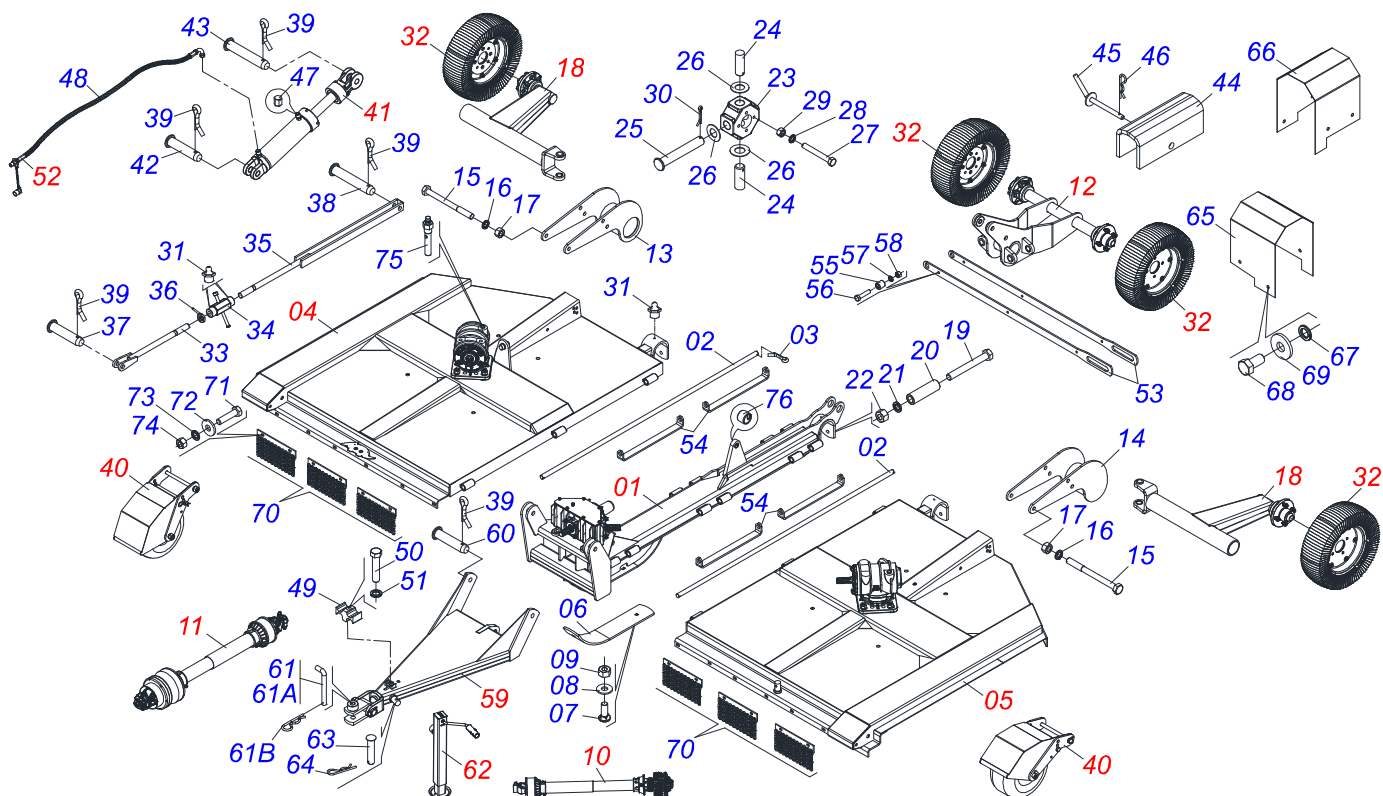
Code	Description
0104120016	RCA2/E 3400 C/PROT CORR S-1200

ATTENTION: **IMPORTANT**

MARCHESAN S/A RESERVES THE RIGHT AT ANY TIME TO MAKE IMPROVEMENTS IN THE DESIGN, MATERIAL OR SPECIFICATIONS OF MACHINERY, EQUIPMENT OR PARTS WITHOUT THEREBY BECOMING LIABLE TO MAKE SIMILAR CHANGES IN MACHINERY, EQUIPMENT OR PARTS PREVIOUSLY SOLD.

INDEX

0909094378	FRAME ASSY	1
0501053415	MULTIP RIGHT SIDE FRAME	2
0511042527	SPEED MULTIPLIER	3
0501056339		4
0501053414	CENTER FRAME RCA2/E 3400	5
0501044074	TRIPLE DISTRIBUTOR RC 4500	6
0501053416	MULTIP LEFT SIDE FRAME	7
0511042525	BOX MULTIPLIER	8
0501056340		9
0511040988	PROTECTION WHEELS REAR ASSY	10
0501053420	HUB SIDE WHELLS SUPPORT	11
0501043559	RUBBER WHEEL ASSY	12
0501053419	HUB CENTER WHELLS SUPPORT	13
0501053834	QUICK CONECTION (MALE) 1/2NPT	14
0511058441	HYDRAULIC CYLINDER 44,45 X 85,70 X 540 X 179	15
0511040198	DRIVE SHAFT	16
0501049129	DRIVE SHAFT	17
0503062157	HEADER JACK	18
0501053417	DRAWBAR ASSY	19



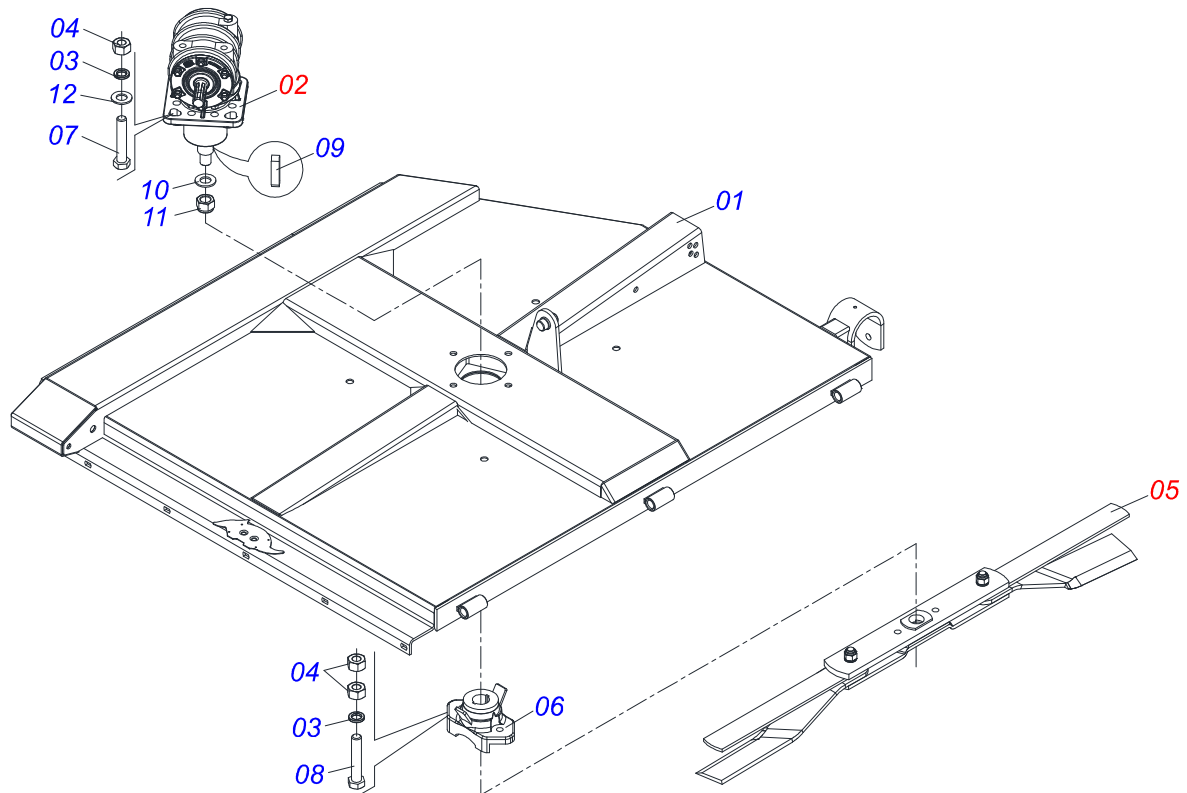
Item	Code	Description	QT
001	0501053414	CENTER FRAME RCA2/E 3400	01
002	0531012224	FRAME UNION AXLE	02
003	0503010571	1/4" X 1.1/2" COTTERPIN	04
004	0501053415	MULTIP RIGHT SIDE FRAME	01
005	0501053416	MULTIP LEFT SIDE FRAME	01
006	0521013465	SKID GUIDE	01
007	0503012956	1/2" X 1-1/2" BOLT	02
008	0511017302	FLAT WASHER	02
009	0503010020	1/2" NUT	02
010	0511040198	DRIVE SHAFT	02
011	0501049129	DRIVE SHAFT	01
012	0501053419	HUB CENTER WHELLS SUPPORT	01
013	0511060360	WHEELS RIGHT FIXER	01
014	0511060361	WHEELS LEFT FIXER	01
015	0503010795	5/8" X 7" BOLT	06
016	0503010027	5/8" SPRING WASHER	06
017	0503010013	5/8" NUT	06
018	0501053420	HUB SIDE WHELLS SUPPORT	02
019	0503011198	3/4" X 6" BOLT	03
020	0511017147	0.8" X 1.2" X 4.1" BUSHING	03
021	0503010023	3/4" SPRING WASHER	03
022	0503010014	3/4" NUT	03
023	0502011268	ARTICULATOR BODY	02
024	0521010627	1.2" X 2.8" CROSSPIECE COUP SHAFT	04
025	0521018993	CROSSPIECE COUPLING SHAFT	02
026	0521010907	FLAT WASHER	08
027	0503011141	3/8" X 2-3/4" BOLT	08
028	0503010025	3/8" SPRING WHASHER	08
029	0503010026	3/8" NUT	08
030	0503010010	1/4" X 2.1/2" COTTERPIN	02
031	0503010002	GREASE FITTING	05
032	0501043559	RUBBER WHEEL ASSY	04
033	0511062794	SMALLER STABILIZER	01



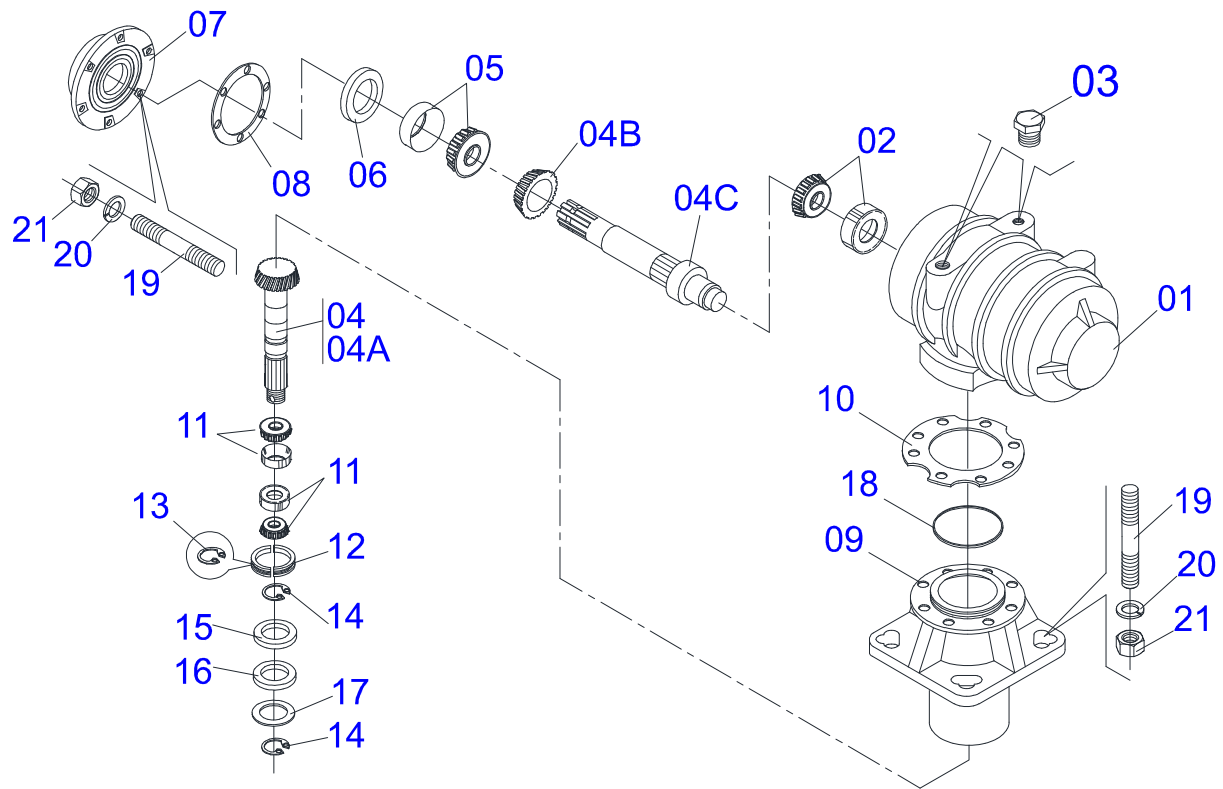
FRAME ASSY

0909094378

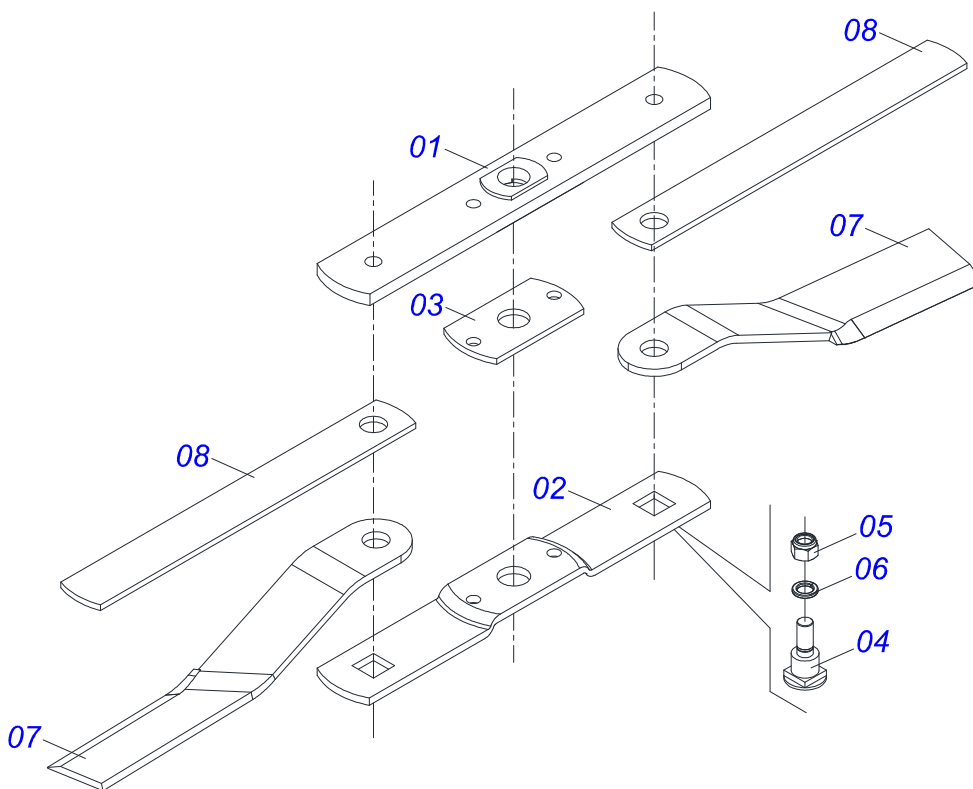
Item	Code	Description	QT
034	0521064756		01
035	0511062795	LARGER STABILIZER	01
036	0501064974	LOCKNUT WITH HANDLER	01
037	0521010572	0.9" X 2.9" COUPLING SHAFT	01
038	0521010585	0.9" X 5.9" COUPLING SHAFT	01
039	0503010571	1/4" X 1.1/2" COTTERPIN	06
040	0511040988	PROTECTION WHEELS REAR ASSY	02
041	0511058441	HYDRAULIC CYLINDER 44,45 X 85,70 X 540 X 179	01
042	0521010575	COUPLING SHAFT	01
043	0521010585	0.9" X 5.9" COUPLING SHAFT	01
044	0521014258	LOCK BOLT	01
045	0501068994	0.3" X 3.1" LOCK PIN	01
046	0503030168	HAIR PIN	01
047	0511017628	BREATHING HOLE OF THE CYLINDER HIDR	01
048	0501080422	3/8" X 157" TC-TM HOSE ASSY	01
049	0502012702	UPPER CLAMP BODY	01
050	0503012555	7/16" X 2" BOLT	01
051	0503010180	7/16" SPRING WASHER	01
052	0501053834	QUICK CONECTION (MALE) 1/2NPT	01
053	0531012226	STABILIZER BAR	02
054	0561010384		04
055	0521010456	13,2 X 25 X 25 SLEEVE	03
056	0503010905	1/2" X 2-1/4" BOLT	03
057	0503010019	1/2" SPRING WASHER	03
058	0503010060	1/2" NUT	03
059	0501053417	DRAWBAR ASSY	01
060	0521010572	0.9" X 2.9" COUPLING SHAFT	02
061	0501040343	DRAWBOLT ASSY	01
061A	0521010453	COUPLING SHAFT	01
061B	0503031035	HAIR PIN	01
062	0503062157	HEADER JACK	01
063	0521010549	COUPLING SHAFT	01
064	0503030168	HAIR PIN	01
065	0531018032	RIGHT PROTECTION COVER	01
066	0531018033	LEFT PROTECTION COVER	01
067	0503010025	3/8" SPRING WHASHER	08
068	0503010256	3/8" X 3/4" BOLT	08
069	0501010984	FLAT WASHER	08
070	0511066921	CHAIN PROTECTION	06
071	0503010849	3/8" X 1-1/2" BOLT	12
072	0501010984	FLAT WASHER	12
073	0503010025	3/8" SPRING WHASHER	12
074	0503010026	3/8" NUT	12
075	0501110186	OIL SMALLER LEVEL INDICATOR	01
076	0511019921	1.3" X 0.1" X 1" SLEEVE	01



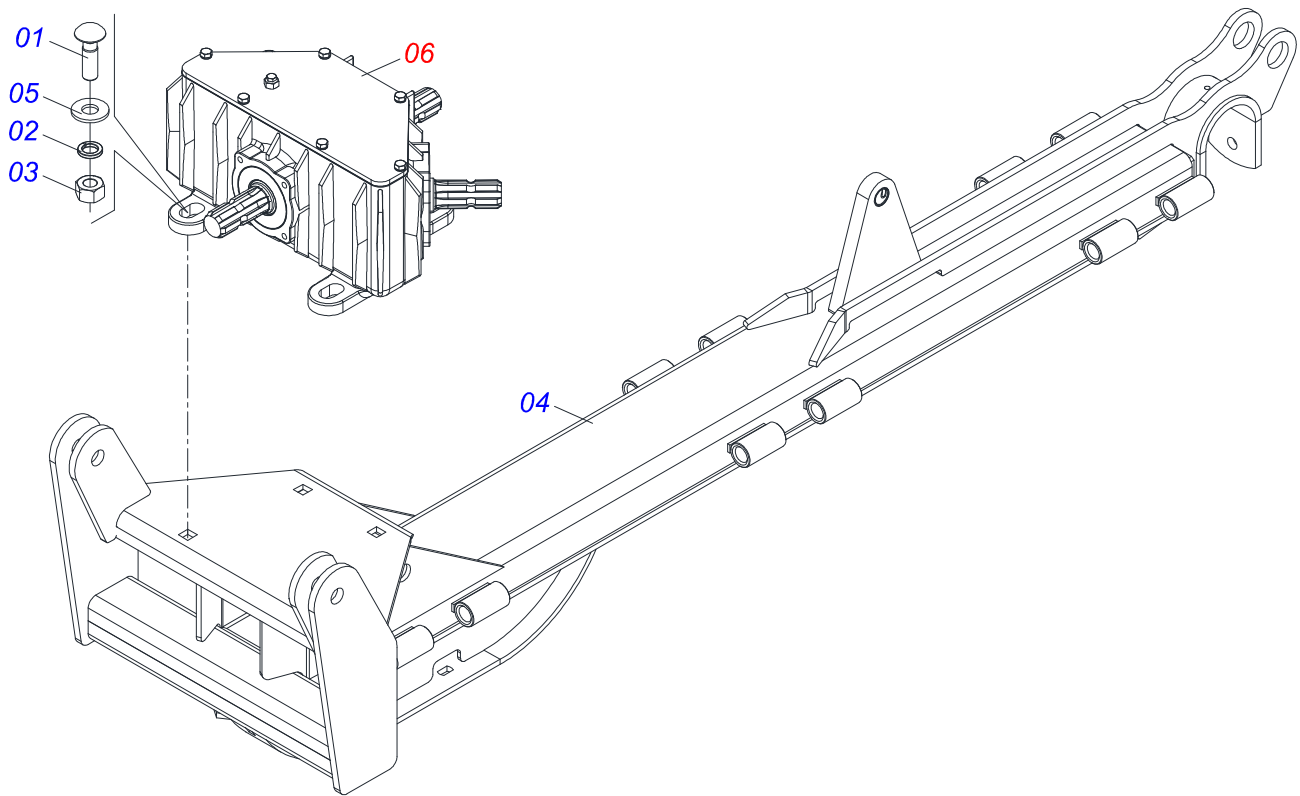
Item	Code	Description	QT
001	0511062791	RIGHT FRAME	01
002	0511042527	SPEED MULTIPLIER	01
003	0503011442	3/4" SPRING WASHER	06
004	0503010014	3/4" NUT	06
005	0501056339		01
006	0502012453	SUPPORT FLANGE	01
007	0503013122	3/4" X 4-1/4" BOLT	04
008	0503012911	3/4" X 5" BOLT	02
009	0501010536	0.4" X 1.7" KEYWAY SQUARE	02
010	0501017779	FLAT WASHER	01
011	0503010817	1.1/4" UNF SELF ADJUSTING NUT	01
012	0501010322	FLAT WASHER	04



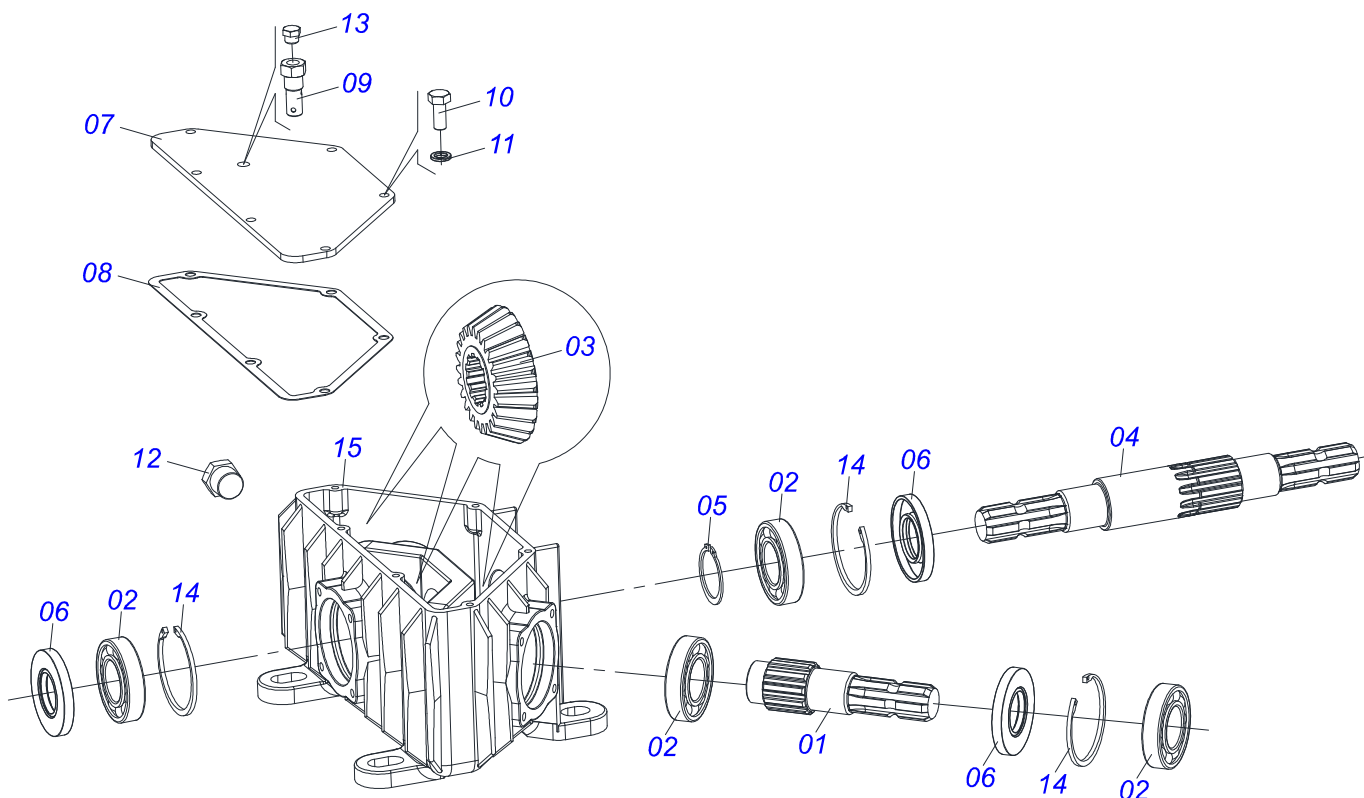
Item	Code	Description	
01	0502012204	SPEED MULTIPLIER BOX	01
02	0503012418	32211 ROLLER BEARING	01
03	0503031604	1/2" BSP PLUG	02
04	0503061699		01
04A	0503031918	18Z CONICAL GEAR	01
04B	0503031917	12Z LOWER CONICAL GEAR	01
04C	0503031924	UPPER AXLE	01
05	0503010750	30209 BALL BEARING	01
06	0503012103	5301 -BSEAL	01
07	0502012203	RH COVER MULTIPLIER	01
08	0503030783	7.1" X 5.3" X 0.008" JOINT	06
09	0502012206	LOWER HUB	01
10	0503030785	7.9" X 5.9" X 0.008" JOINT	03
11	0503012418	32211 ROLLER BEARING	02
12	0531019302	LOCK RING	01
13	0503012311	501065 RENO RING	01
14	0503011420	502100 CLAMPING RING (FOR AXLE)	02
15	0503013211	6016 BRG SEAL	01
16	0503013201	ARCA 6016 BRG SEAL	01
17	0531018823	FLAT WASHER	01
18	0503010286	2-355 N 3006-9B O'RING	01
19	0503030084	1/2" X 1/2" X 2.0" STUD	14
20	0503011440	1/2" SPRING WASHER	14
21	0503010028	1/2" NUT	14



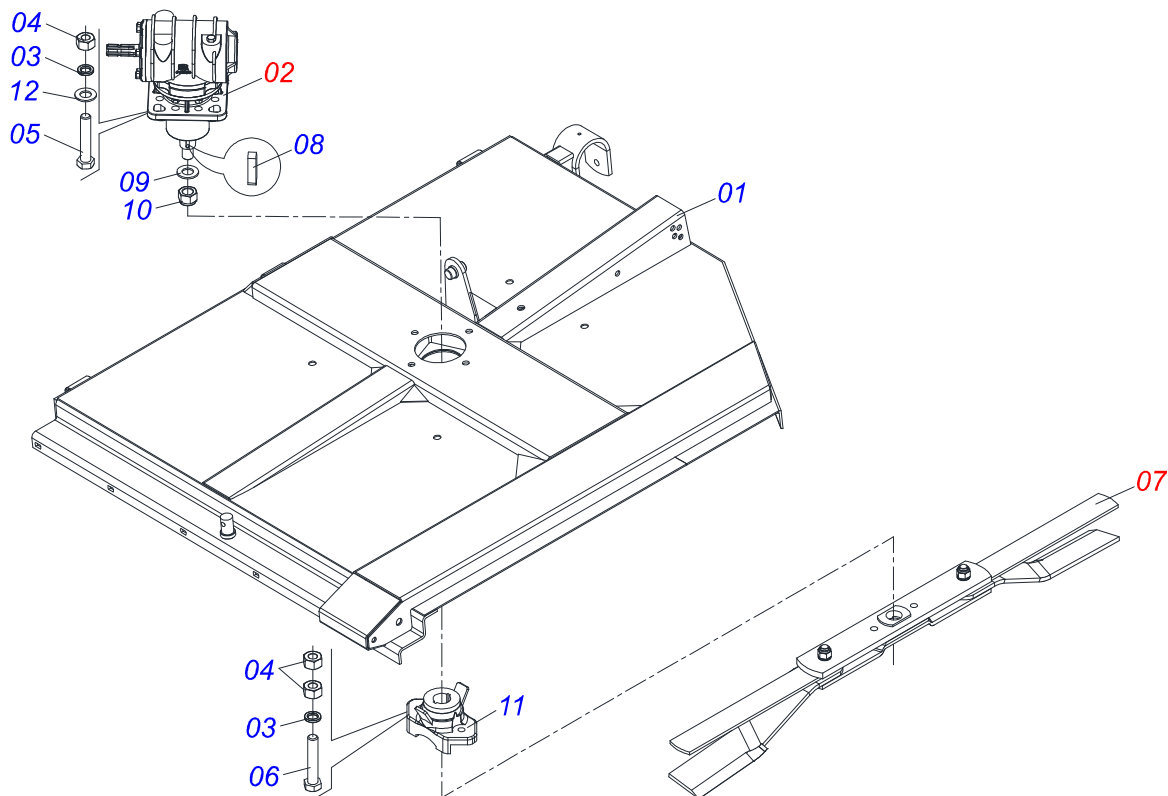
Item	Code	Description	QT
001	0561017307	SUPPORT UPPER BASE	01
002	0561017369	ROTARY LOWER SUPPORT LOWER	01
003	0561017309	ROCADORES SUPPORT CHOCK	01
004	0531014512	FASTERNER ROCADORES	02
005	0503010812	7/8" UNF SELF ADJUSTING NUT	02
006	0503011447	7/8" SPRING WASHER	02
007	0622400055	RH 24"X4"X0,5" ROTARY CUTTER BLADES	02
008	0531015055	620 FOLLOWER	02



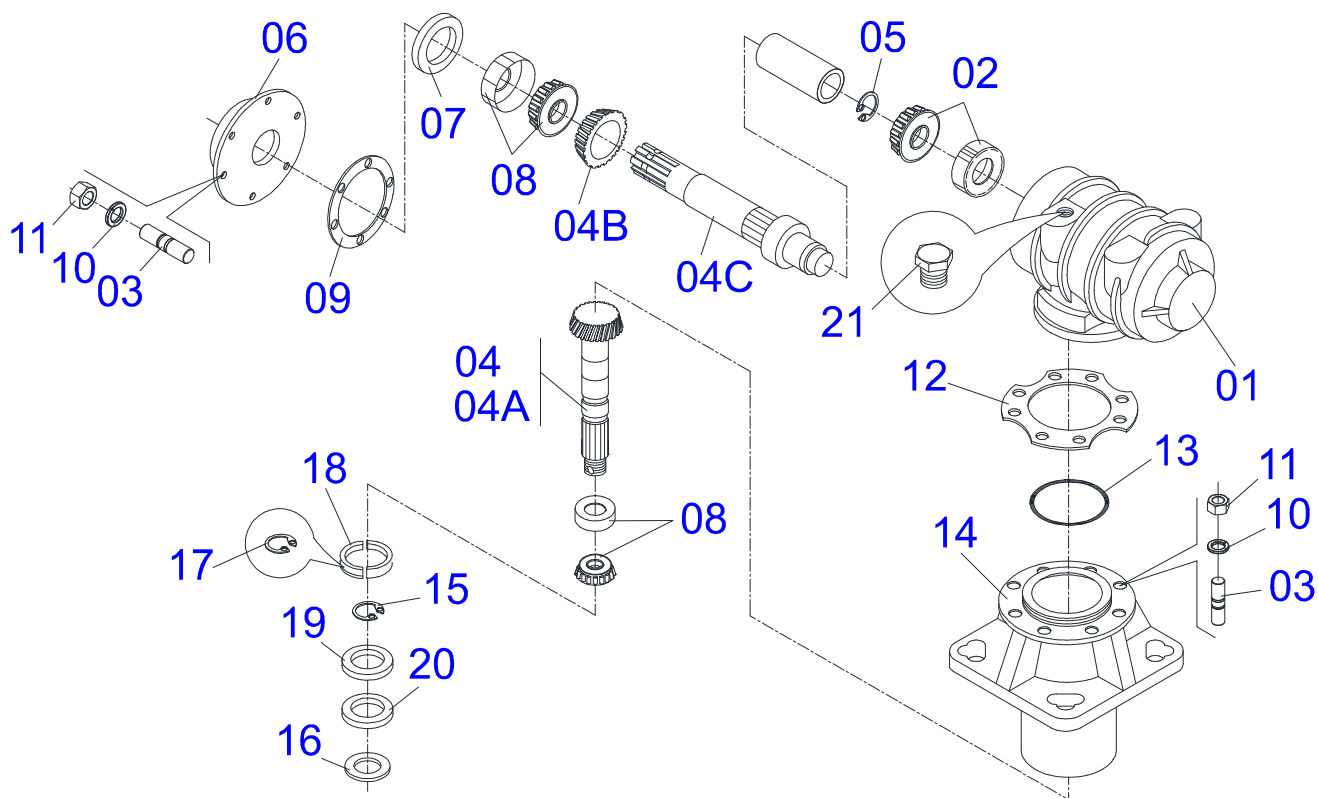
Item	Code	Description	QT
001	0503014249		04
002	0503011442	3/4" SPRING WASHER	04
003	0503010014	3/4" NUT	04
004	0521065964		01
005	0501010322	FLAT WASHER	04
006	0501044074	TRIPE DISTRIBUTOR RC 4500	01



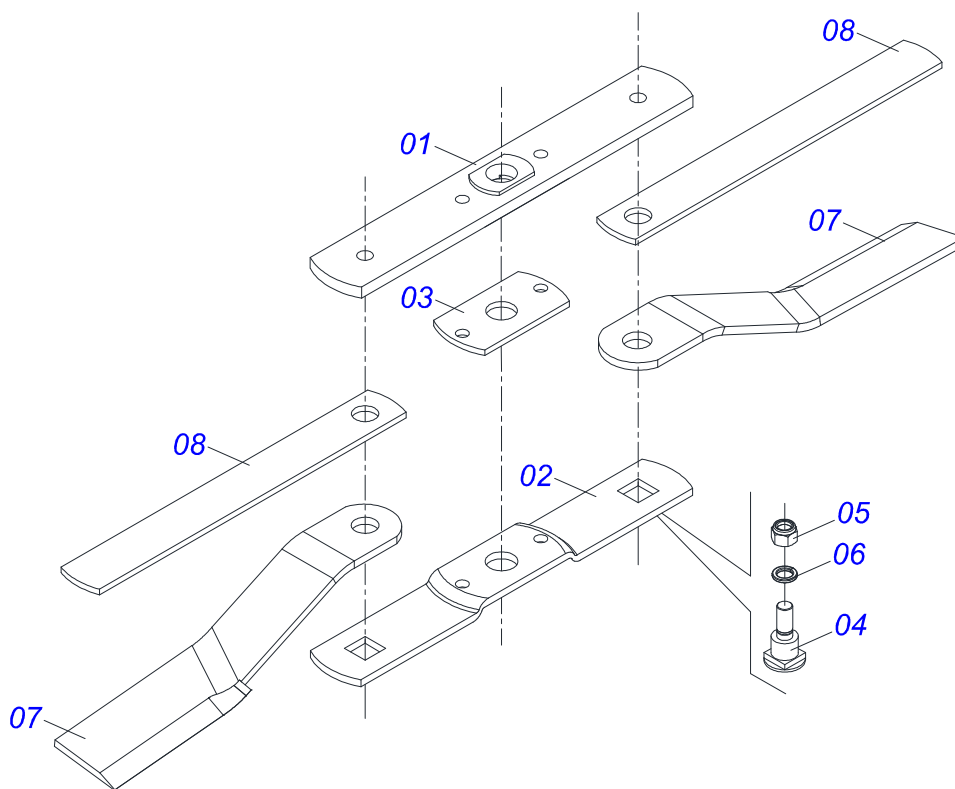
Item	Code	Description	QT
001	0503030633	SIDE AXLE	02
002	0503011095	6208 BALL BEARING	06
003	0503030632	24Z CONICAL GEAR	03
004	0503030631	CENTRAL AXLE	01
005	0503010372	501050 CLAMPING RING (FOR AXLE)	01
006	0503010818	02675-BRG SEAL	04
007	0511011206	BOX COVER	01
008	0503030656	13.9" X 6.1" X 0.03" JOINT	01
009	0511013020	1.49" BREATHING HOLE	01
010	0503010240	5/16" X 3/4" BOLT	06
011	0503011444	5/16" SPRING WASHER	06
012	0503010856	3/8" OIL PLUG	01
013	0511017907	1/8" BSPT X 6 PLUG	01
014	0503011100	502080 CLAMPING RING (FOR AXLE)	08
015	0502010861	DISTRIBUTOR BOX	01



Item	Code	Description	QT
001	0511062792	LEFT FRAME	01
002	0511042525	BOX MULTIPLIER	01
003	0503011442	3/4" SPRING WASHER	06
004	0503010014	3/4" NUT	06
005	0503013122	3/4" X 4-1/4" BOLT	04
006	0503012911	3/4" X 5" BOLT	02
007	0501056340		01
008	0501010536	0.4" X 1.7" KEYWAY SQUARE	02
009	0501017779	FLAT WASHER	01
010	0503010817	1.1/4" UNF SELF ADJUSTING NUT	01
011	0502012453	SUPPORT FLANGE	01
012	0501010322	FLAT WASHER	04

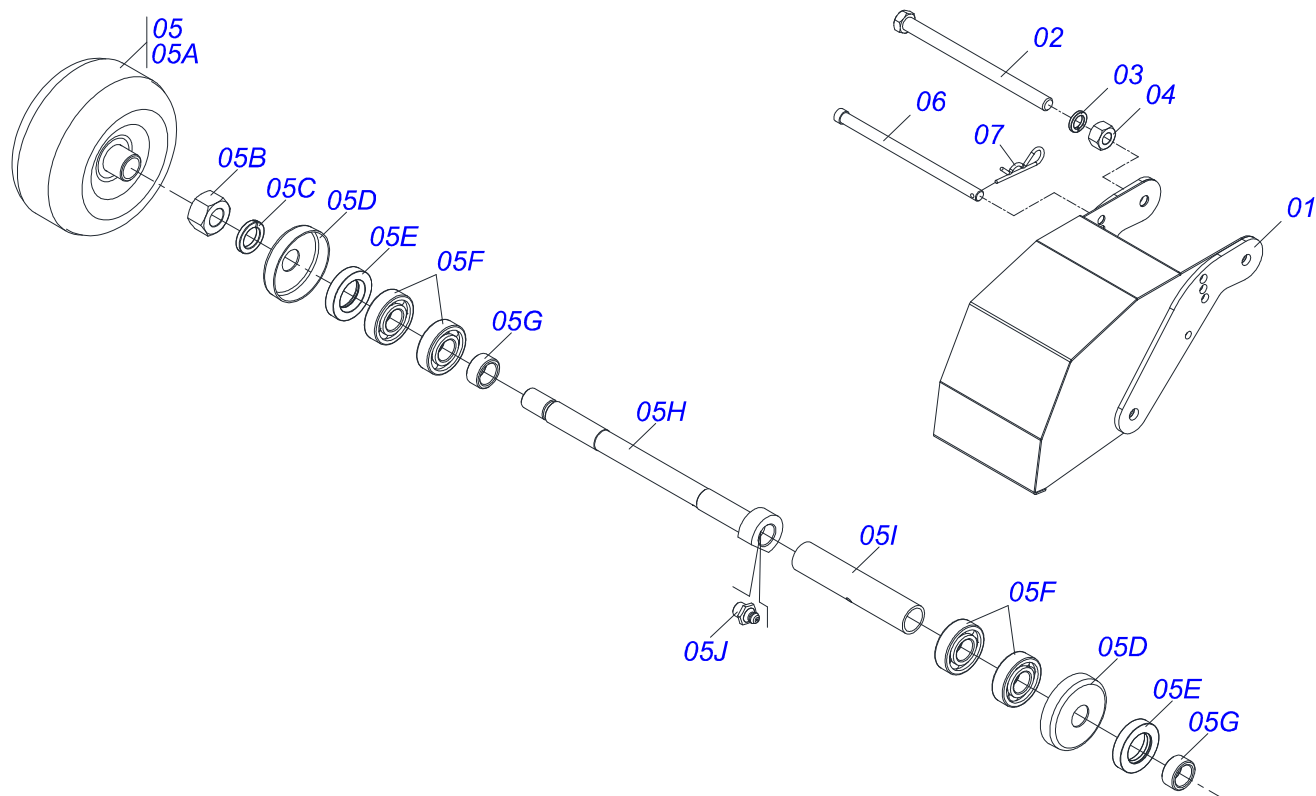


Item	Code	Description	
01	0502012205	BOX MULTIPLIER	01
02	0503010750	30209 BALL BEARING	01
03	0503030084	1/2" X 1/2" X 2.0" STUD	14
04	0503061698	CROWN PINION SET 12Z 12Z AXLE LEFT	01
04A	0503031917	12Z LOWER CONICAL GEAR	01
04B	0503031918	18Z CONICAL GEAR	01
04C	0503032043	UPPER AXLE	01
05	0503014772	501056 CLAMPING RING (FOR AXLE)	01
06	0502012207	COVER MULTIPLIER	01
07	0503012103	5301 -BSEAL	01
08	0503012418	32211 ROLLER BEARING	03
09	0503030783	7.1" X 5.3" X 0.008" JOINT	03
10	0503011440	1/2" SPRING WASHER	14
11	0503010028	1/2" NUT	14
12	0503030785	7.9" X 5.9" X 0.008" JOINT	03
13	0503010286	2-355 N 3006-9B O'RING	01
14	0502012206	LOWER HUB	01
15	0503011420	502100 CLAMPING RING (FOR AXLE)	02
16	0531018823	FLAT WASHER	01
17	0503012311	501065 RENO RING	01
18	0531019302	LOCK RING	01
19	0503013211	6016 BRG SEAL	01
20	0503013201	ARCA 6016 BRG SEAL	01
21	0503031604	1/2" BSP PLUG	01

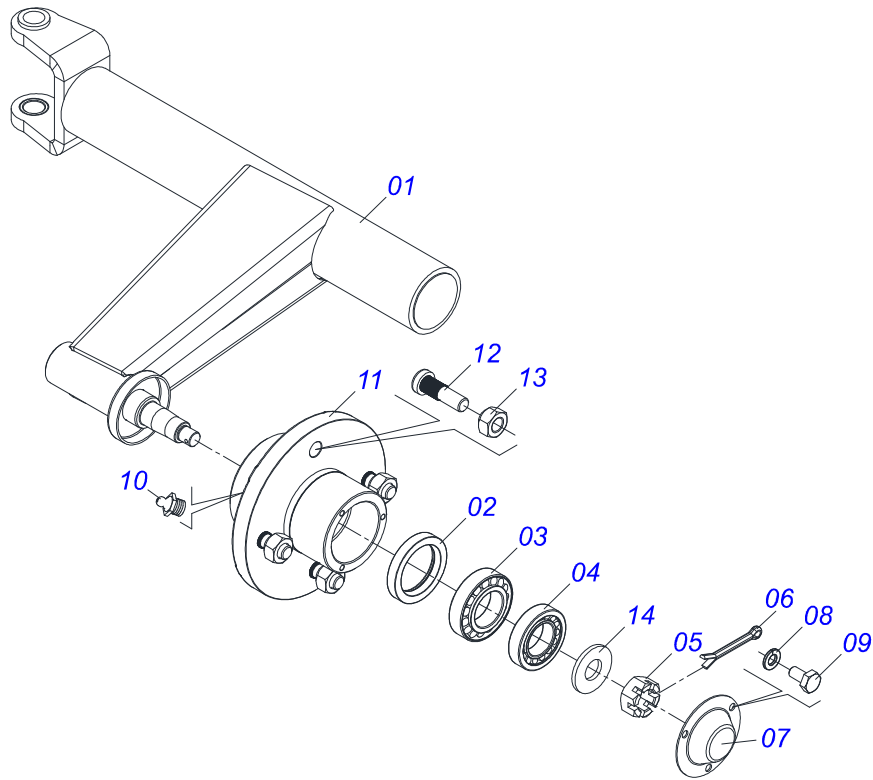


Item	Code	Description	QT
001	0561017307	SUPPORT UPPER BASE	01
002	0561017369	ROTARY LOWER SUPPORT LOWER	01
003	0561017309	ROCADORES SUPPORT CHOCK	01
004	0531014512	FASTERNER ROCADORES	02
005	0503010812	7/8" UNF SELF ADJUSTING NUT	02
006	0503011447	7/8" SPRING WASHER	02
007	0622400056	24"X4"X0,5" LEFT ROTARY CUT BLADES	02
008	0531015055	620 FOLLOWER	02

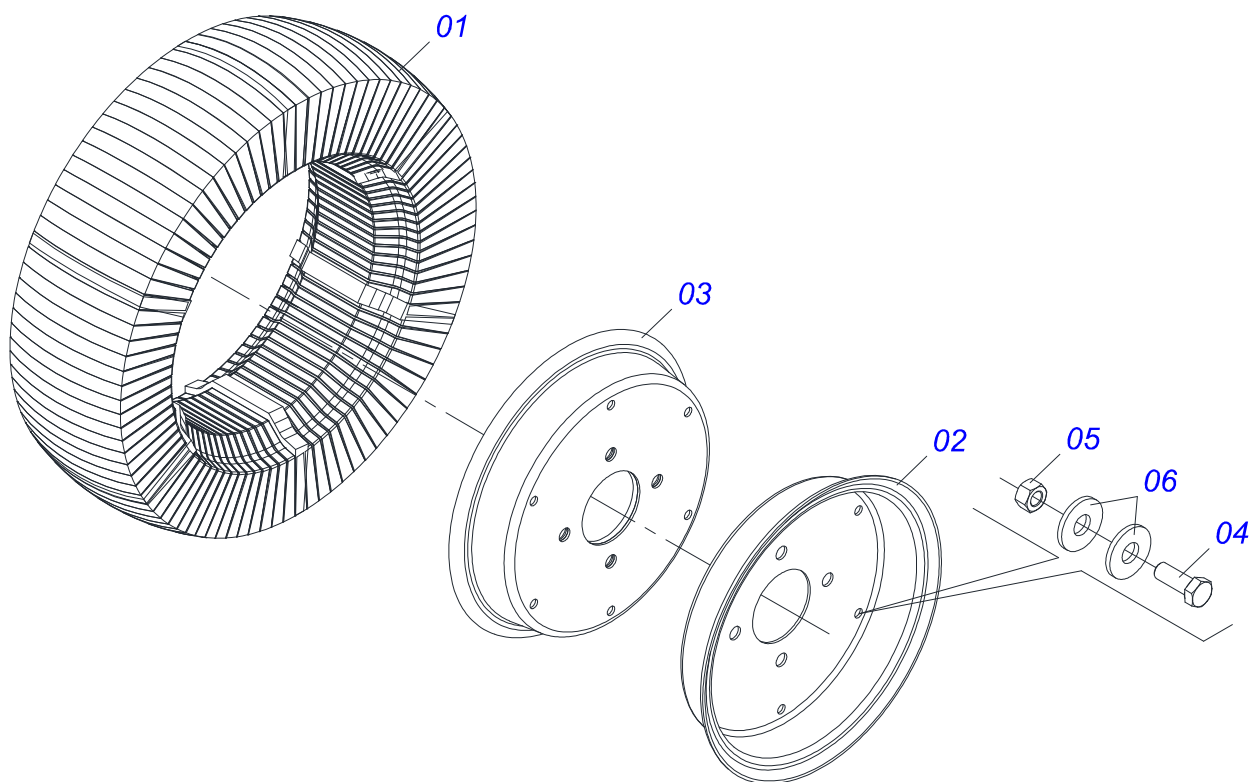
PROTECTION WHEELS REAR ASSY



Item	Code	Description	
01	0511061700	COVER FRONT WHEEL SUPPORT	01
02	0503012951	3/4" X 10-1/2" BOLT	01
03	0503010023	3/4" SPRING WASHER	02
04	0503010014	3/4" NUT	02
05	0501053885	ARM REAR WHELL	01
05A	0511063509	14" X 8" WHELL	01
05B	0503010014	3/4" NUT	01
05C	0503010023	3/4" SPRING WASHER	01
05D	0511014254	DUST CLOAK	02
05E	0503010268	00262-B SEAL	02
05F	0503010269	6204 BALL BEARING	04
05G	0521010487	SPACER WASHER	02
05H	0551011854	REAR CARRYING WHEELS AXLE	01
05I	0531014502	0.9" X 1.1" X 6.3" SLEEVE	01
05J	0503010002	GREASE FITTING	01
06	0531014507	0.6" X 10" COUPLING SHAFT	01
07	0503030168	HAIR PIN	01

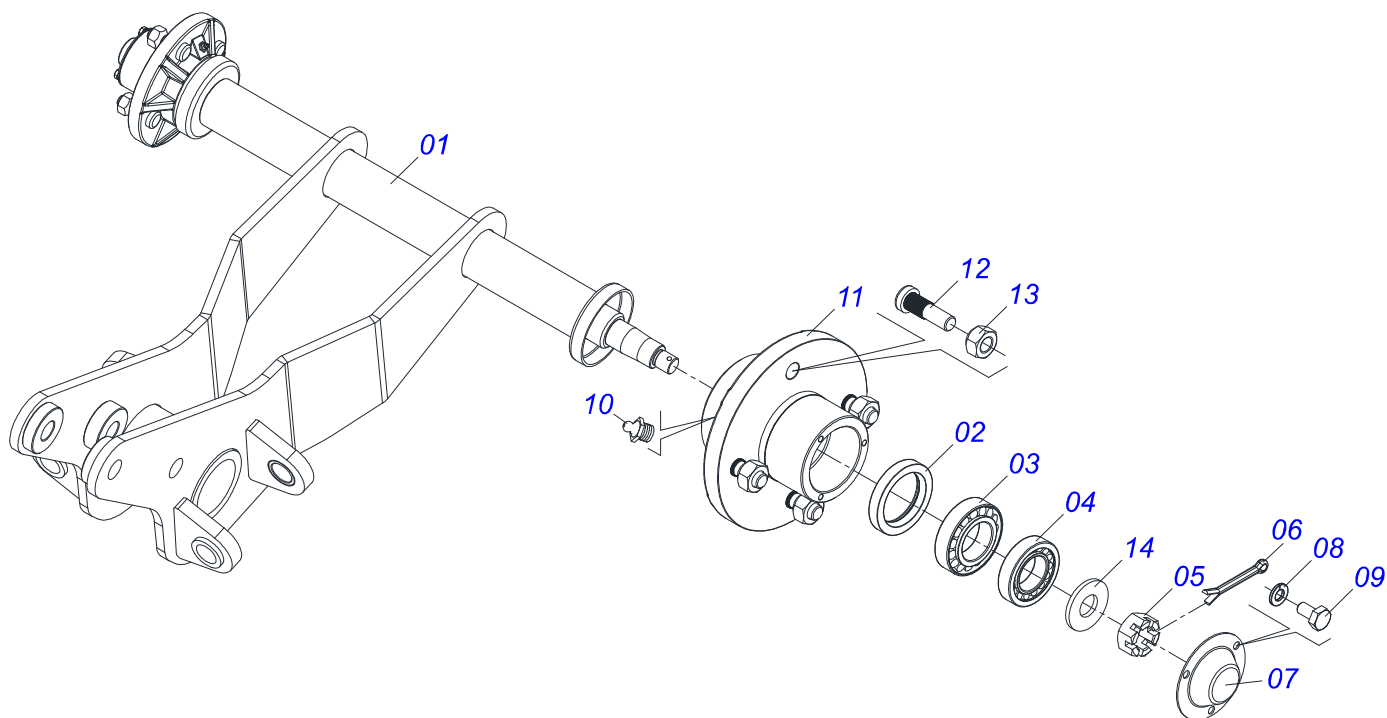


Item	Code	Description	QT
001	0511062796	SIDE WHELLS SUPPORT	01
002	0503010278	SEAL # 00527-B	01
003	0503010016	BEARING LM 48548/48510	01
004	0503010022	BEARING LM 67048/67010	01
005	0503030010	7/8" CASTLE NUT	01
006	0503010018	5/32" X 1-1/2" COTTERPIN	01
007	0521010388	PROTECTIVE COVER	01
008	0503011441	SPRING WASHER	03
009	0503013758	1/4" X 1-1/2" BOLT	03
010	0503010002	GREASE FITTING	01
011	0501110746		01
012	0501010127	9/16" X 1-7/8" LUG BOLT	04
013	0503010035	9/16" CONIC NUT	04
014	0501010322	FLAT WASHER	01

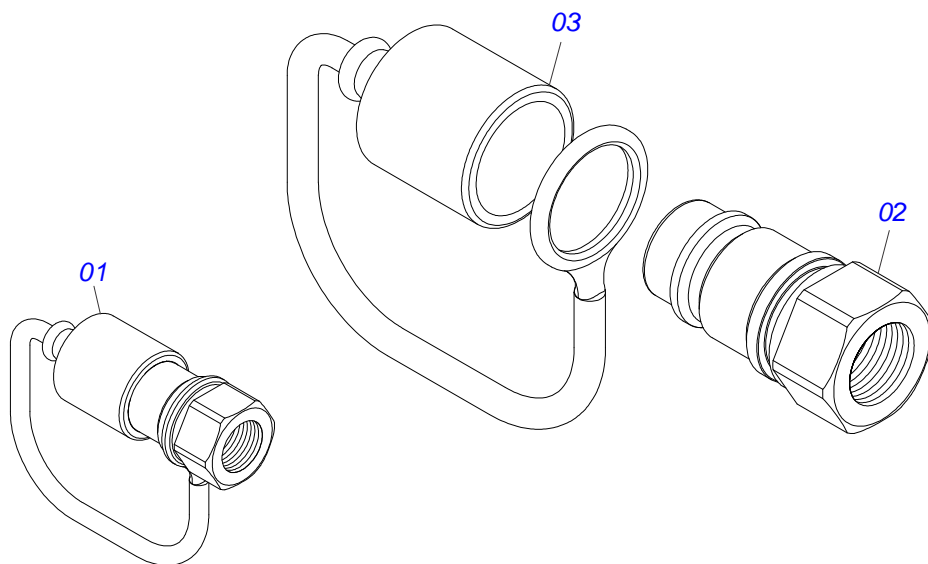


Item	Code	Description	QT
001	0501110168		01
002	0521010829		01
003	0501069093		01
004	0503010237	3/8" X 1" BOLT	06
005	0503010026	3/8" NUT	06
006	0501012803	FLAT WASHER	12

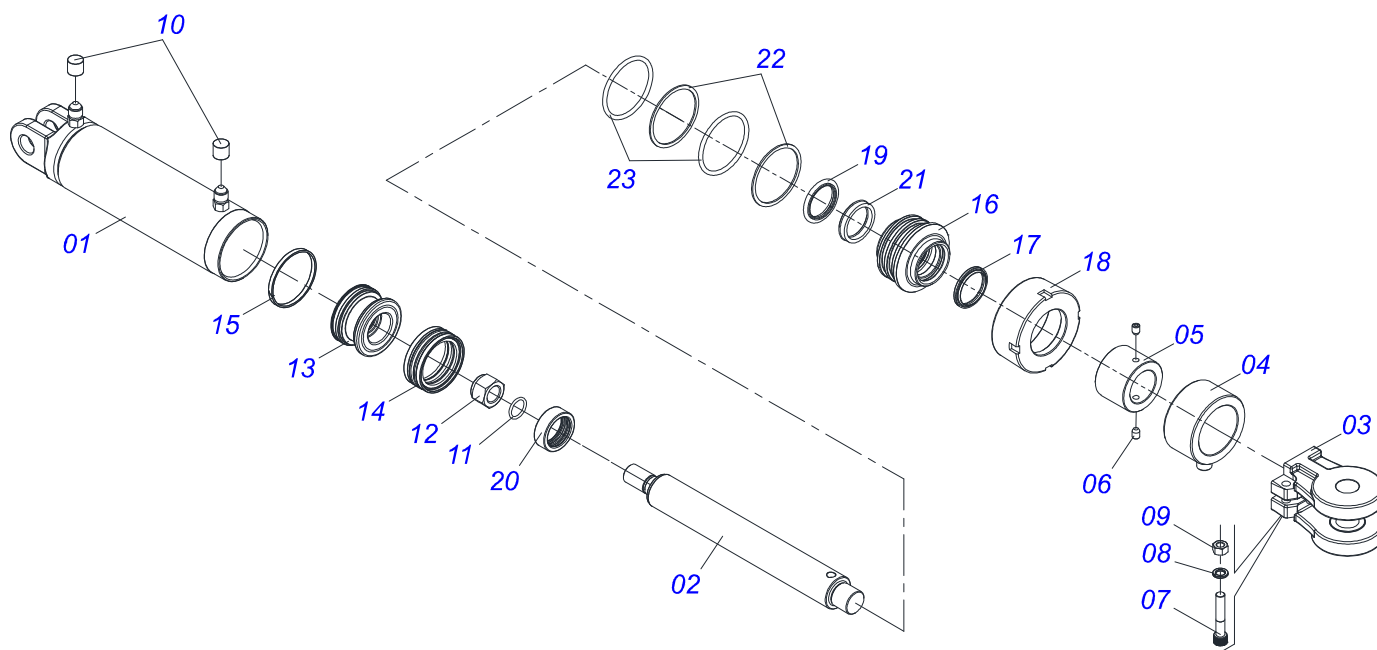
HUB CENTER WHELLS SUPPORT



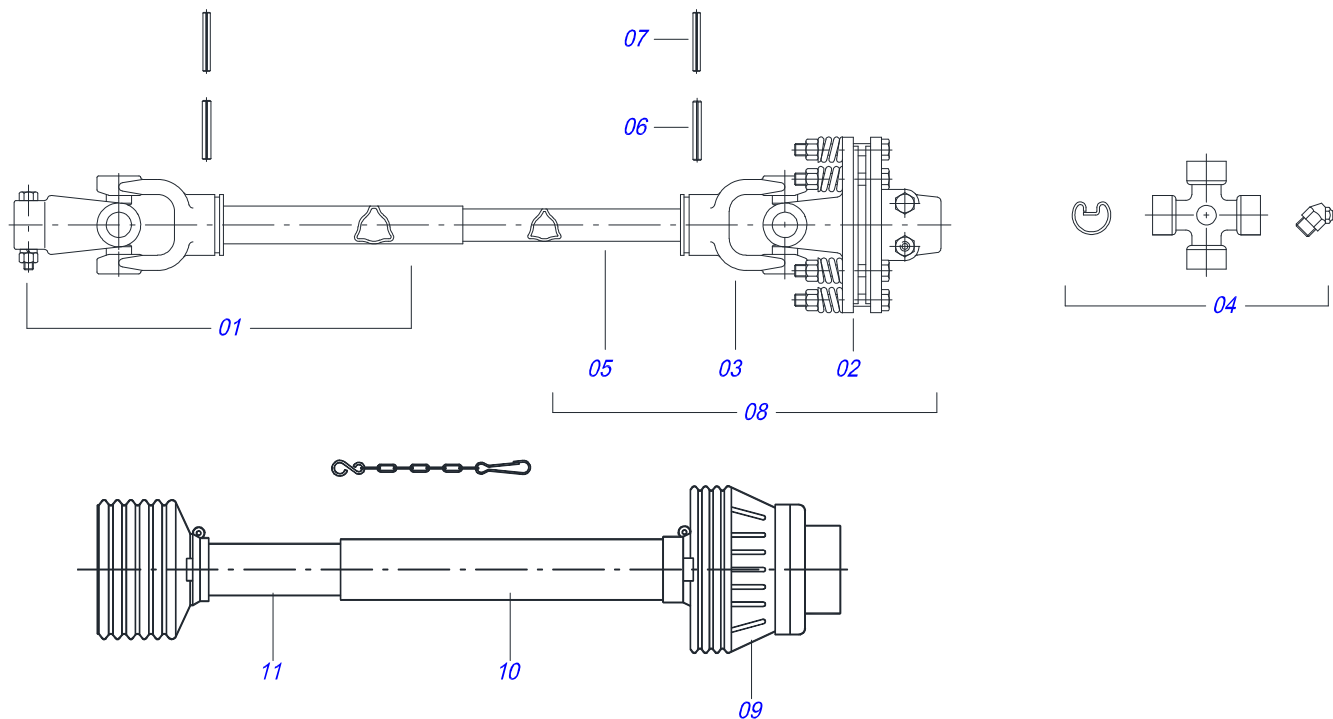
Item	Code	Description	QT
001	0511062797	CENTER WHELLS SUPPORT	01
002	0503010278	SEAL # 00527-B	02
003	0503010016	BEARING LM 48548/48510	02
004	0503010022	BEARING LM 67048/67010	02
005	0503030010	7/8" CASTLE NUT	02
006	0503010018	5/32" X 1-1/2" COTTERPIN	02
007	0521010388	PROTECTIVE COVER	02
008	0503011441	SPRING WASHER	06
009	0503013758	1/4" X 1-1/2" BOLT	06
010	0503010002	GREASE FITTING	02
011	0501110746		02
012	0501810127	9/16UNFX1.7/8BOLT	08
013	0503810035	9/16 NF CONIC NUT	08
014	0501010322	FLAT WASHER	02



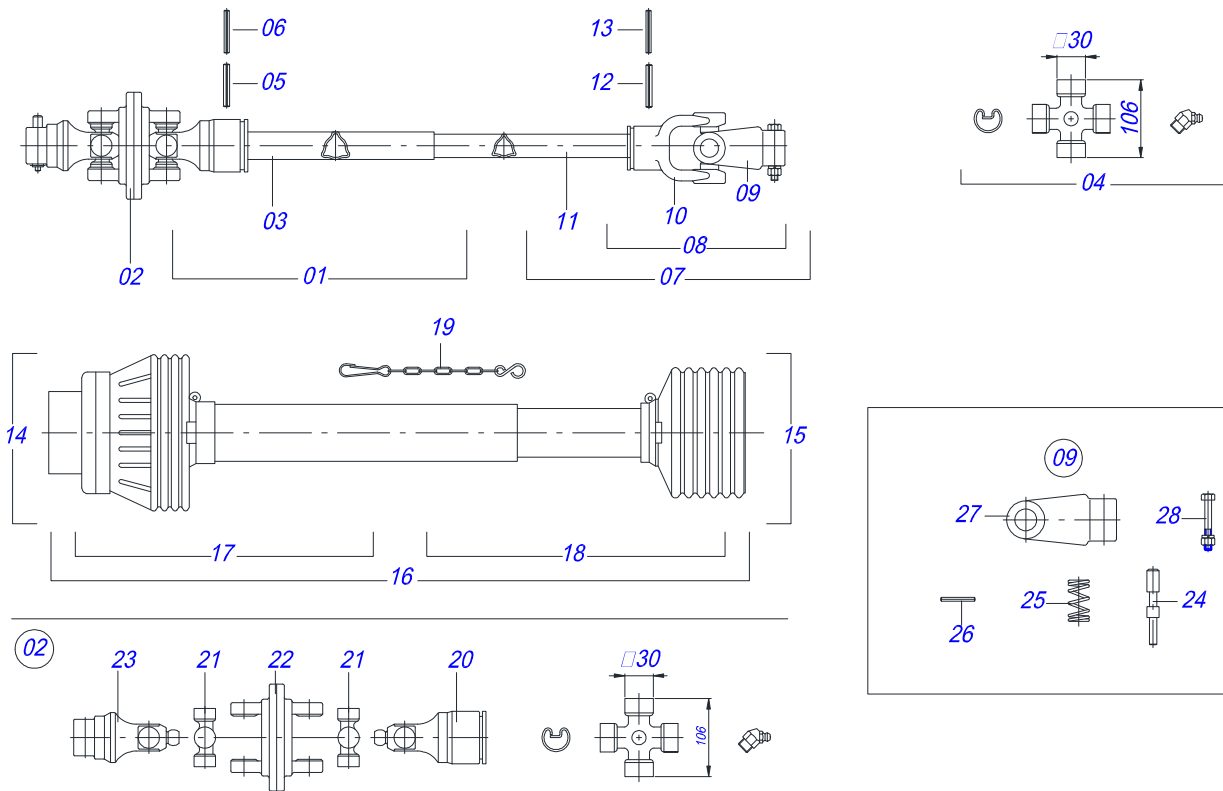
Item	Code	Description	QT
01	0501053834	QUICK CONECTION (MALE) 1/2NPT	02
02	0503011627	QUICK CONNECTION (MALE) AGR 1/2 NPT	01
03	0503011882	QUICK CONNECTION COVER	01



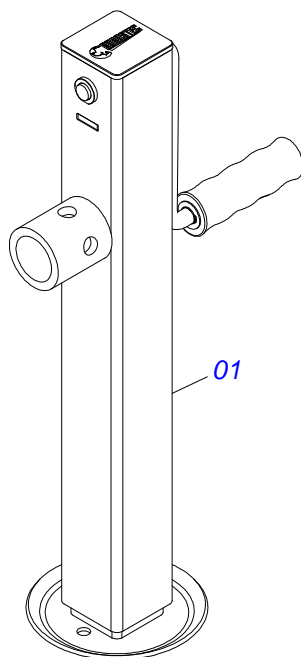
Item	Code	Description	QT
01	0501064255	2.4" X 8" CYLINDER CASE	01
02	0521014292	1.7" X 15" TURNBUCLE WITH HOLES	01
03	0502040493	CLEVIS 26,50 R41	01
04	0511060370	CARRY-W REG OUTER BODY ASSY	01
05	0521014003	REG INNER BODY OF THE CARRY-WHEEL	01
06	0503011148	3/8" X 1/2" BOLT	02
07	0503011094	3/8" X 2" BOLT C C S I 12.9	01
08	0503010025	3/8" SPRING WHASHER	01
09	0503010026	3/8" NUT	01
10	0503030385	PLUG	02
11	0503010042	2-214 N 3006-9B O'RING	01
12	0503010063	1" SELF-ALIGNING NUT	01
13	0571019710	1.7" X 3.4" PISTON	01
14	0503017935	RING	01
15	0503018144	RING	01
16	0571019711	RING SUPPORT	01
17	0503010761	D-1750 SCRAPER RING	01
18	0571019709	DETACHABLE COVER	01
19	0503017936	RING	01
20	0503017938	RING GUIDE	01
21	0503017937	GASKET	01
22	0503017940	8-337 BACK-UP RING	02
23	0503017939	2-337 N 3006-9B O' RING	02
24	0501031796	HYDRAULIC CYLINDER REPAIR KIT	



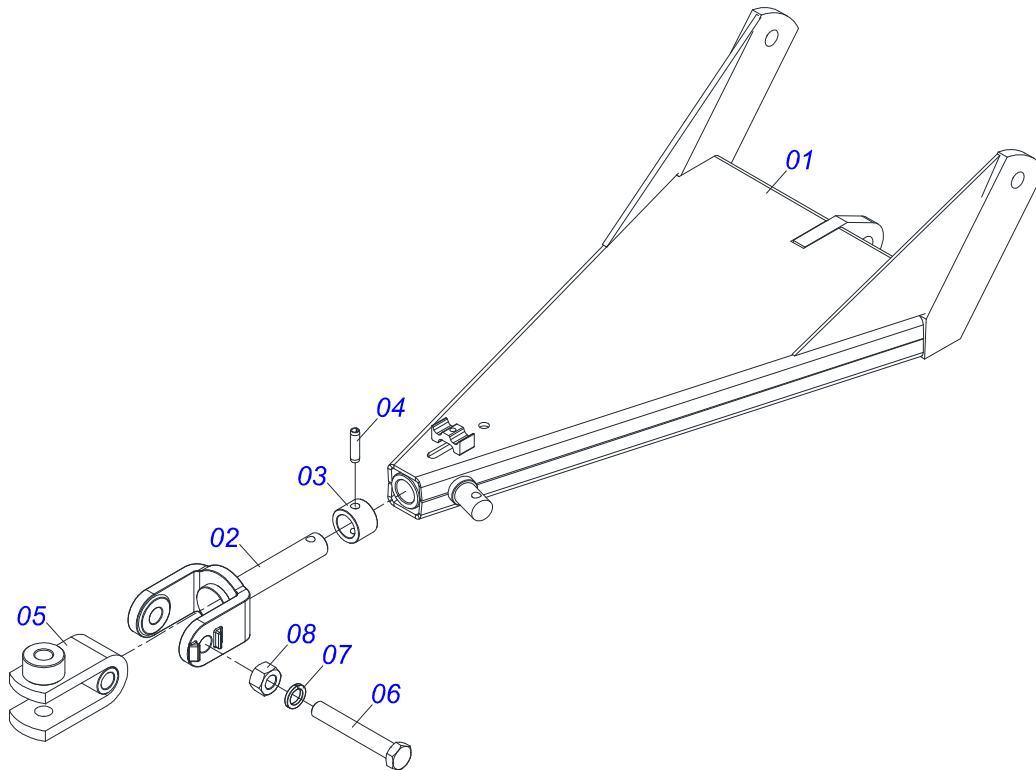
Item	Code	Description	
00	0511040198	DRIVE SHAFT	01
01	0503013279	FEMALE CARDAN	01
02	0501047953	90 KGM FRICTION	01
03	0503013187	TERMINAL	01
04	0503013260	CROSSPIECE	01
05	0503013261	MALE TRINGULAR TUBE	01
06	0503010842	0.39" X 2.95" SPRING PIN	01
07	0503013259	0.2" X 0.39" SPRING PIN	01
08	0503013278	MALE CARDAN	01
09	0503013262	FRICTION DISC PROTECTION ASSY	01
10	0503013263	FEMALE PROTECTION TUBE	01
11	0503013264	MALE PROTECTION TUBE	01



Item	Code	Description	
01	0501052544	HOMO JOINT WITH FEMALE BUSHING	01
02	0501052518	HOMOCINETIC JOINT ASSY	01
03	0503012618	2.1" X 2.0" X 31" TRIAN FEMALE TUB	01
04	0503010837	CARDAN CROSSPIECE	01
05	0503010843	0.4" X 3.3" SPRING PIN	01
06	0503011878	0.2" X 3.3" SPRING PIN	01
07	0501052545	UNIVERSAL JOINT WITH CROSS/SHAFT	01
08	0501052546	UNIVERSAL JOINT	01
09	0501052516	T6-60 TERMINAL WITH SCREW	01
10	0503012600	T3-60/CI52 TERMINAL	01
11	0503012619	1.8" X 1.7" X 31" TRIAN MALE TUB	01
12	0503011069	0.4" X 2.8" SPRING PIN	01
13	0503011805	0.2" X 2.8" SPRING PIN	01
14	0501052548	HOMO JOINT WITH PROT FEMALE BUSHING	01
15	0501052549	UNIVERSAL JOINT WITH SHAFT/PROT	01
16	0503012620	PROTECTION ASSY	01
17	0503012621	PROTECTION FOR HOMO JOINT AND SLEEV	01
18	0503012076	PROTECTION FOR UNIV JOINT AND AXLE	01
19	0503012023	CHAIN FOR UNIV JOINT PROTECTION	01
20	0503012604	HOMO TERMINAL W/ FEMALE BUSHING	01
21	0503012605	CROSSPIECE	02
22	0503012606	CENTER BODY	01
23	0503012607	TRACTOR HOMOCINETIC TERMINAL	01
24	0521010638	0.5" X 3.3" QUIC HITCH COUPL SHAFT	02
25	0503030518	0.5"X1.0"X 0.1" COMPRESSION SPRING	02
26	0503010838	0.1" X 0.8" SPRING PIN	02
27	0502010830	6-60 STRIATED 1.3/8" TERMINAL	01
28	0501047759	1/2" X 3-1/2" BOLT ASSY	02



Item	Code	Description
01	0503062157	HEADER JACK



Item	Code	Description	QT
001	0511062793	DRAWBAR	01
002	0521066536		01
003	0521010473	1.5" X 2.2" X 1.6" SLEEVE WITH HOLE	01
004	0503010815	0.5" X 2.16" SPRING PIN	01
005	0521065106		01
006	0501010191	1" X 6" BOLT	01
007	0503011438	1" SPRING WASHER	01
008	0501010059	1" NUT	01



MARCHESAN IMPLEMENTOS E MÁQUINAS AGRÍCOLAS TATU S.A.

AV. Marchesan, 1979 - Post office box, 131 - CEP 15994-900 - Matão - SP - Brazil

Phone +55 16.3382-8282

(FAX Parts) + 55 16.3382. 8297 - (Export) + 55 16.3382.1003

e.mail: tatu@marchesan.com.br www.marchesan.com.br

*Drafting and Illustration = GASPARI
e.mail = jgaspari@marchesan.com.br*

**ORIGINAL PARTS
TATU**

