

# PARTS CATALOGUE



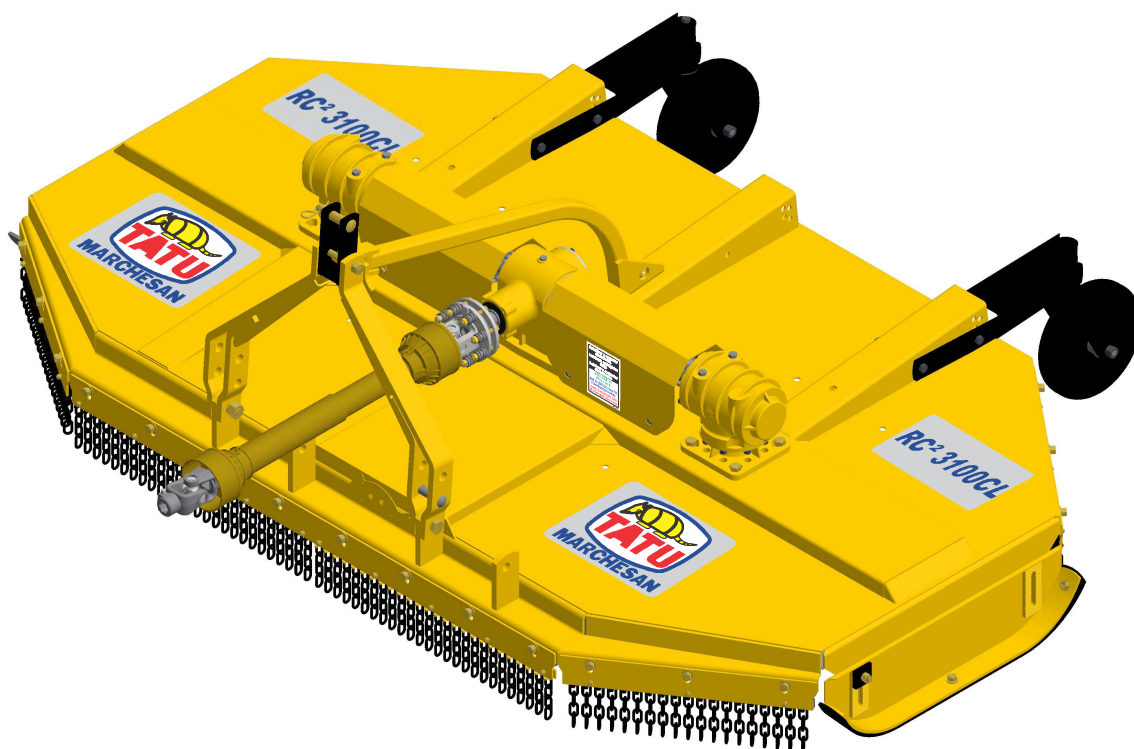
## ROTARY CUTTERS

**Code:**

0501091622

**Product:**

RC2 3100 CL



**Series:**

S-0214

**Revision:**

03

**Date Revision:**

OUTUBRO/2020



# PRODUCTS

Code	Description
0104120063C	RC2 3100 C/R CL C/PROT CORR EXP S-0214
0104120063	RC2 3100 C/R CL C/PROT CORR S-0214
0104120061	RC2 3100 C/R CL S/PROT EXP S-0214
0104120062	RC2 3100C/R CL CM ROD BORR EXP S214

## ATTENTION: IMPORTANT

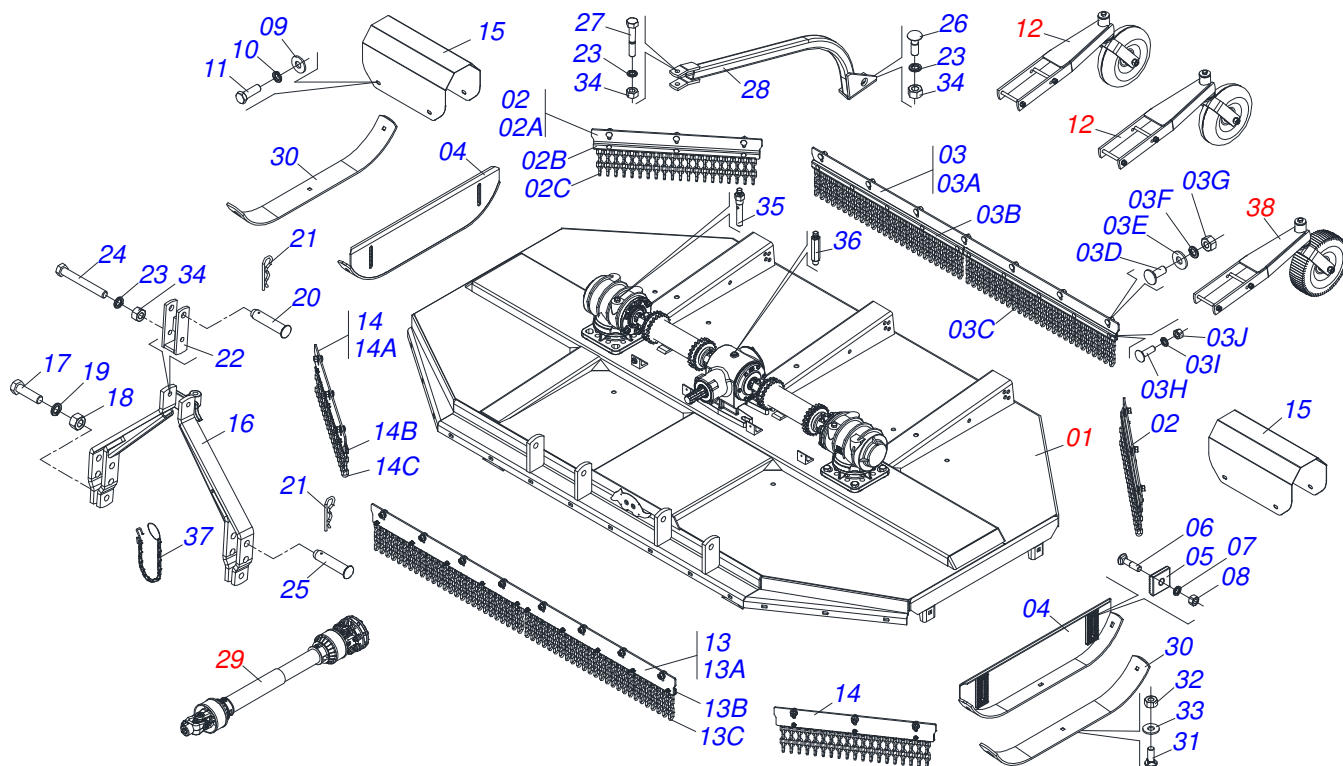
Marchesan S.A. reserves the right to improve and / or modify the technical features of its products, without obligation to do the same with those products already sold and without prior knowledge of the dealer or the consumer.



**MARCHESAN**

# INDEX

0909090394	FRAME ASSY	.....	1
0511055310	SEMIFINISHED FRAME (0104120063)	.....	2
0511055285	SEMIFINISHED FRAME (0104120061)	.....	3
0501055989	RH ROTARY SUPPORT 540	.....	4
0511055306	SEMIFINISHED FRAME (0104120063)	.....	5
0501056455	RH ROTARY SUPPORT 540	.....	6
0511047301	CARRYING WHEELS ASSY	.....	7
0501043642	RUBBER WHEEL ASSY	.....	8
0511043450	DRIVE SHAFT	.....	9
0501056010	FRICION CLUTCH	.....	10
0511042158	RH MULTIPLIER	.....	11
0511041608	DOUBLE DISTRIBUTOR	.....	12

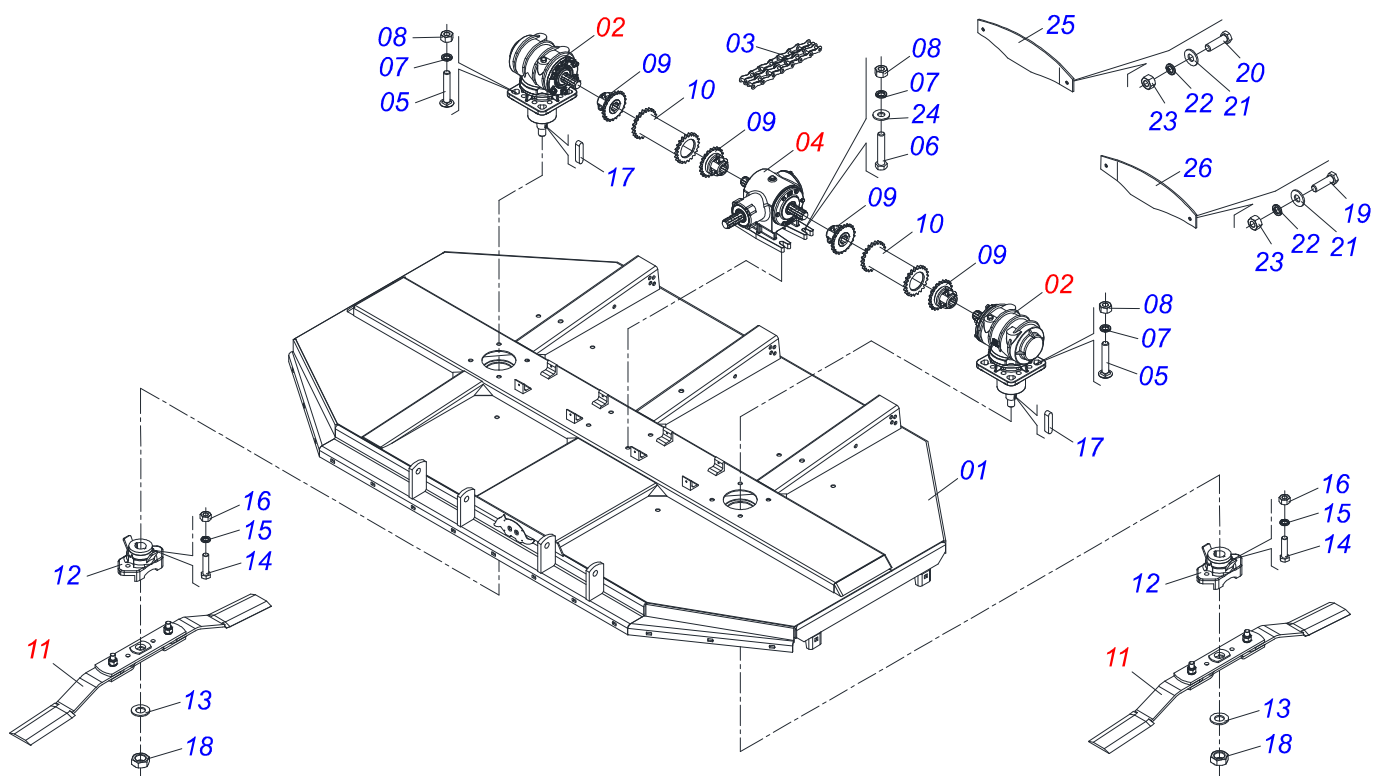


Item	Code	Description	See page	QT
01	0511055310	SEMINISHED FRAME (0104120063)	2	01
02	0511055075	CHAIN PROTECTION		02
02A	0571016010	CHAIN PROTECTION BODY		02
02B	0571016009	PROTECTION CLAW		02
02C	0511011774	8,00 CHAIN 4 LINK		40
03	0511055076	CHAIN PROTECTION		01
03A	0571016005	CHAIN PROTECTION BODY		01
03B	0571016008	PROTECTION CLAW		02
03C	0511011774	8,00 CHAIN 4 LINK		52
03D	0501011600	1/2" X 1-1/4" BOLT		27
03E	0511017302	FLAT WASHER		27
03F	0503010019	1/2" SPRING WASHER		27
03G	0503010020	1/2"NUT		27
03H	0501010942	3/8" X 1-1/4" BOLT		32
03I	0503010025	3/8" SPRING WASHER		32
03J	0503010026	3/8" NUT		32
04	0511064760	930 SKID		02
05	1902010083	SQUARE WASHER		04
06	0501014177	5/8" X 2-1/2" BOLT		04
07	0503010027	5/8" SPRING WASHER		04
08	0503010013	5/8" NUT		04
09	0501010984	FLAT WASHER		08
10	0503010025	3/8" SPRING WASHER		08
11	0503010256	3/8" X 3/4" BOLT		08
12	0511047301	CARRYING WHEELS ASSY	7	02
13	0511055077	CHAIN PROTECTION		01
13A	0571016006	CHAIN PROTECTION BODY		01
13B	0571016007	PROTECTION CLAW		02
13C	0511011774	8,00 CHAIN 4 LINK		52
14	0511055130	CHAIN PROTECTION		02
14A	0571016015	CHAIN PROTECTION BODY		02

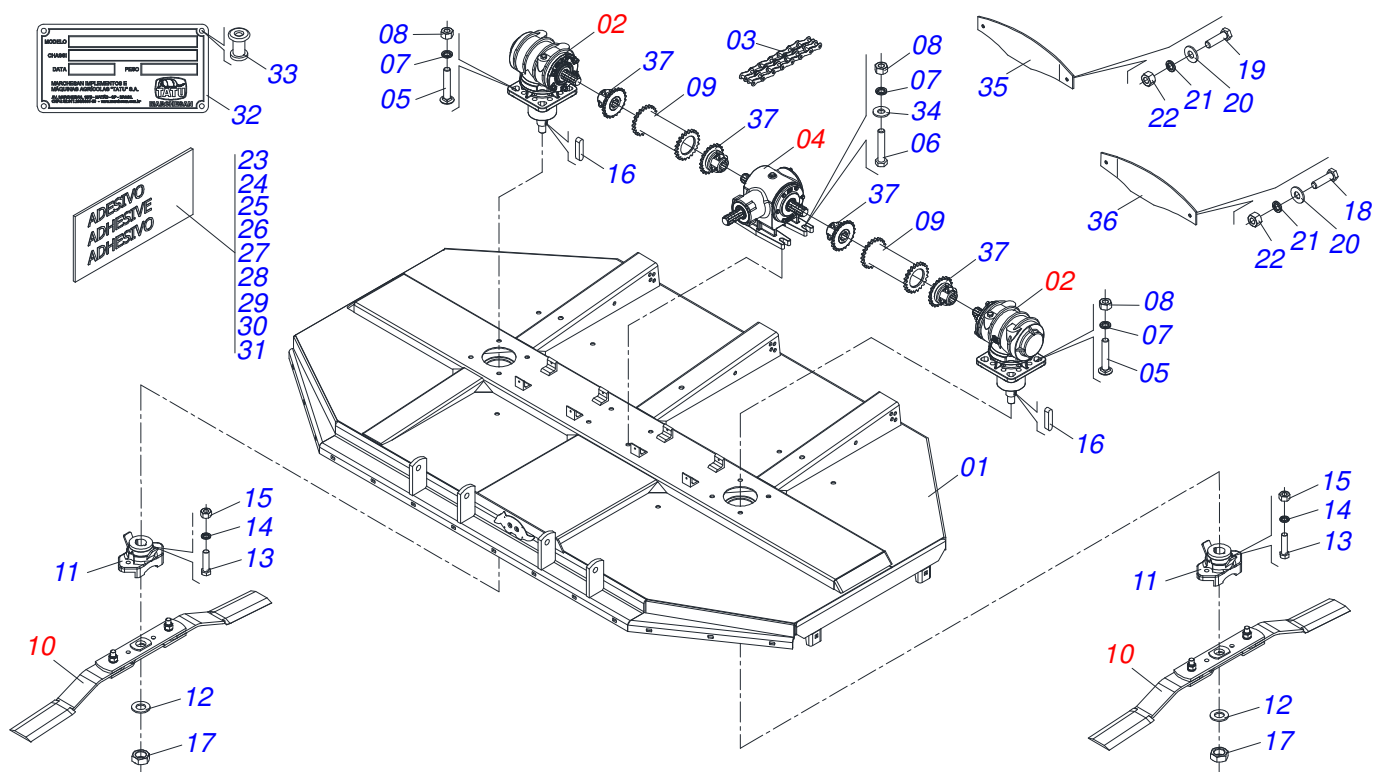


RC2 3100 CL  
FRAME ASSY

Item	Code	Description	See page	QT
14B	0571016014	PROTECTION CLAW		02
14C	0511011774	8,00 CHAIN 4 LINK		38
15	0571016022	PROTECTION COVER		02
16	0501066446	DRAWBAR		01
17	0501010171	PARAFUSO 1 UNC X 3.1/2 C S G.5		02
18	0501010059	1.5/8 NUT		01
19	0503010012	1" SPRING WASHER		01
20	0521010596	COUPLING SHAFT		01
21	0503031035	HAIR PIN		02
22	0501066445	PIVOT DOUBLE BAR		01
23	0503010023	3/4" SPRING WASHER		03
24	0503011198	C3/4" X 6" SCREW		01
25	0521010578	COUPLING SHAFT		01
26	0501017305	3/4" X 2-1/4" BOLT		01
27	0501010216	3/4" X 4-1/2" BOLT		01
28	0521065849	ATTACHMENT BAR		01
29	0511043450	DRIVE SHAFT	9	01
30	0531019436	SKID GUIDE		02
31	0503012956	1/2" X 1-1/2" BOLT		06
32	0503010026	3/8" NUT		06
33	0511017302	FLAT WASHER		06
34	0503010014	3/4" NUT		02
35	0501110186	OIL SMALLER LEVEL INDICATOR		01
36	0501110843	DOBLE DISTRIBUTOR HOLE		01
37	0503011981	17.7" CHAIN WITH HOOK/LINK		02
38	0501043642	RUBBER WHEEL ASSY	8	02



Item	Code	Description	See page	QT
001	0521064871	FRAME		01
002	0511042158	RH MULTIPLIER	11	02
003	0503013471	60-2 X 21 CHAIN LINK + MENDING		04
004	0511041608	DOUBLE DISTRIBUTOR	12	01
005	0503010797	3/4" X 4" BOLT		08
006	0501010216	3/4" X 4-1/2" BOLT		04
007	0503011442	3/4" SPRING WASHER		12
008	0503010014	3/4" NUT		12
009	0511067340	1.3/4" TERMINAL		04
010	0511066369	COUPLING 274,5 ( RC2 3100 CL )		02
011	0501055989	RH ROTARY SUPPORT 540	4	02
012	0502012453	SUPPORT FLANGE		02
013	0501017779	32 X 60 X 4.75 FLAT WASHER		02
014	0503011328	3/4" X 4" BOLT		04
015	0503011442	3/4" SPRING WASHER		02
016	0503010014	3/4" NUT		02
017	0501010536	KEYWAY SQUARE		02
018	0503010817	1.1/4" SELF LOCKING NUT		02
019	0501011600	1/2" X 1-1/4" BOLT		02
020	0501010243	1/2" X 1-1/2" BOLT		02
021	0511017302	FLAT WASHER		04
022	0503011440	SPRING WASHER		04
023	0503010020	1/2"NUT		04
024	0501010322	FLAT WASHER		04
025	0511019202	37.6" LEFT PROTECTION		01
026	0511019203	37.6" RIGHT PROTECTION		01

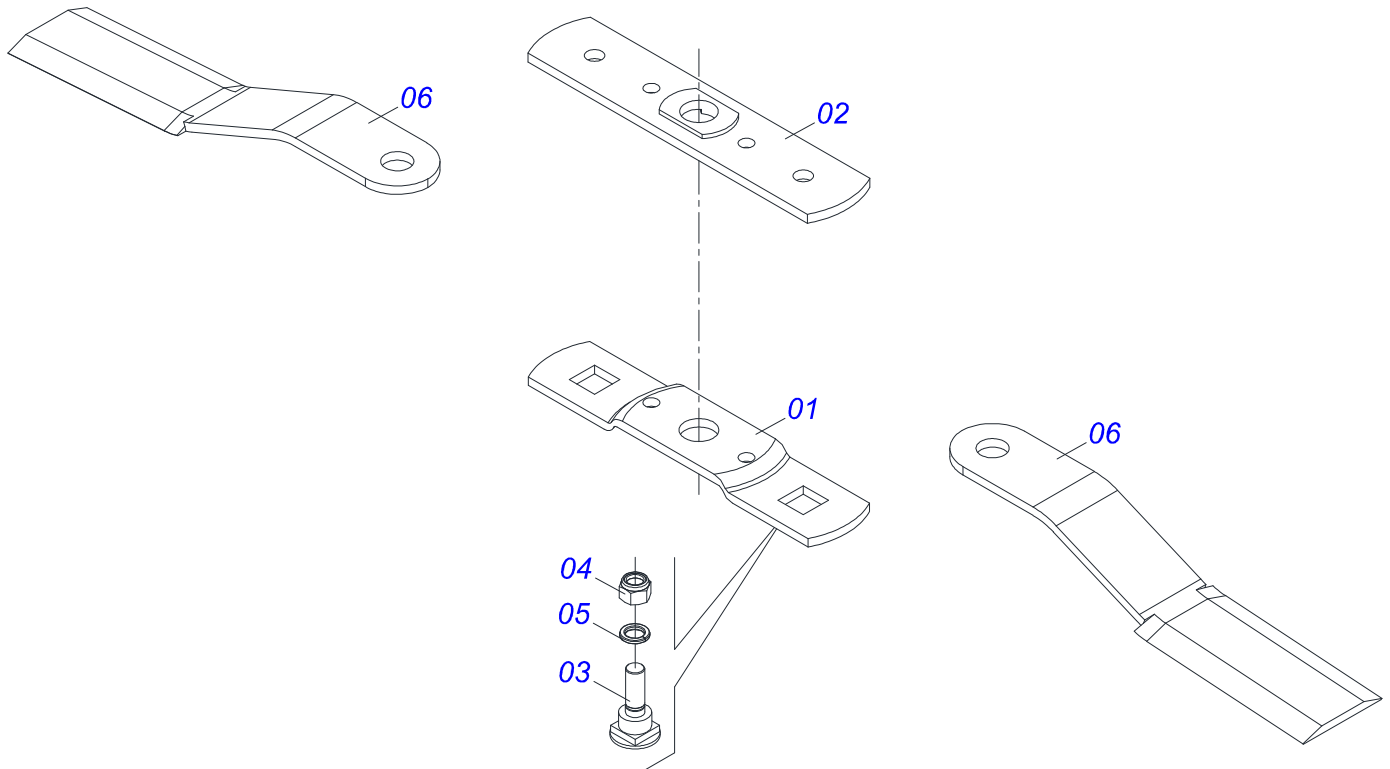


Item	Code	Description	See page	QT
001	0521064871	FRAME		01
002	0511042158	RH MULTIPLIER	11	02
003	0503013471	60-2 X 21 CHAIN LINK + MENDING		04
004	0511041608	DOUBLE DISTRIBUTOR	12	01
005	0503010797	3/4" X 4" BOLT		08
006	0501010216	3/4" X 4-1/2" BOLT		04
007	0503011442	3/4" SPRING WASHER		12
008	0503010014	3/4" NUT		12
009	0511066369	COUPLING 274,5 ( RC2 3100 CL )		02
010	0501055989	RH ROTARY SUPPORT 540	4	02
011	0502012453	SUPPORT FLANGE		01
012	0501017779	32 X 60 X 4.75 FLAT WASHER		01
013	0503011328	3/4" X 4" BOLT		02
014	0503011442	3/4" SPRING WASHER		02
015	0503010014	3/4" NUT		02
016	0501010536	KEYWAY SQUARE		04
017	0503010817	1.1/4" SELF LOCKING NUT		02
018	0501011600	1/2" X 1-1/4" BOLT		02
019	0501010243	1/2" X 1-1/2" BOLT		01
020	0511017302	FLAT WASHER		03
021	0503011440	SPRING WASHER		03
022	0503012682	1/2" BSW NUT		03
023	0503060894			01
024	0503031932	ADHESIVE LABEL		01
025	0503031427	ADHESIVE LABEL		01
026	0503031929	ADHESIVE LABEL		01
027	0503031428	READ MANUAL DECAL		01
028	0503031930	ADHESIVE LABEL		02
029	0503031127	ADHESIVE LABEL		03
030	0503031087	ADHESIVE LABEL		01
031	0503032949	ADHESIVE LABEL		01

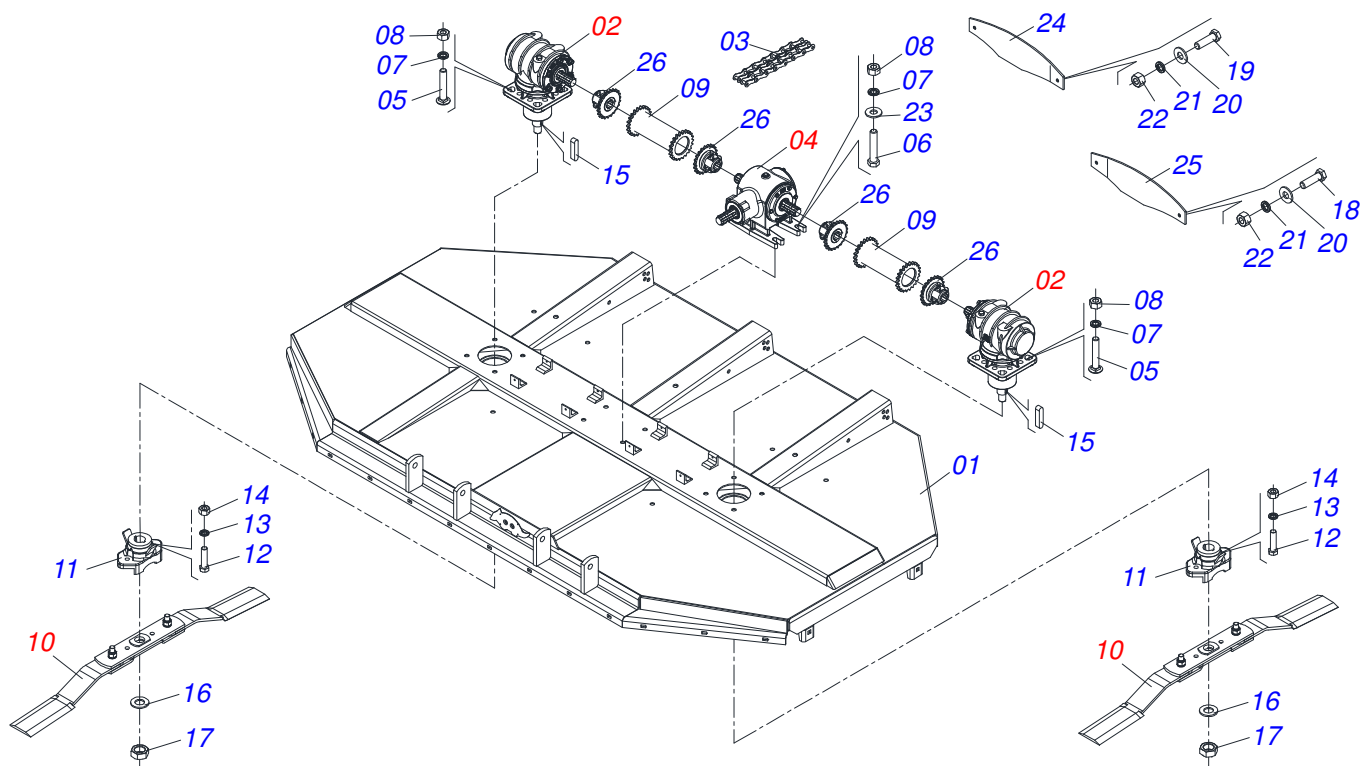


Item	Code	Description	See page	QT
032	0503034003	SERIAL NUMBER TAG 61 X 118		01
033	0503010001	3.2 X 5.5 RIVET		01
034	0501010322	FLAT WASHER		04
035	0591010772			01
036	0591010772			01
037	0511067340	1.3/4 TERMINAL		04

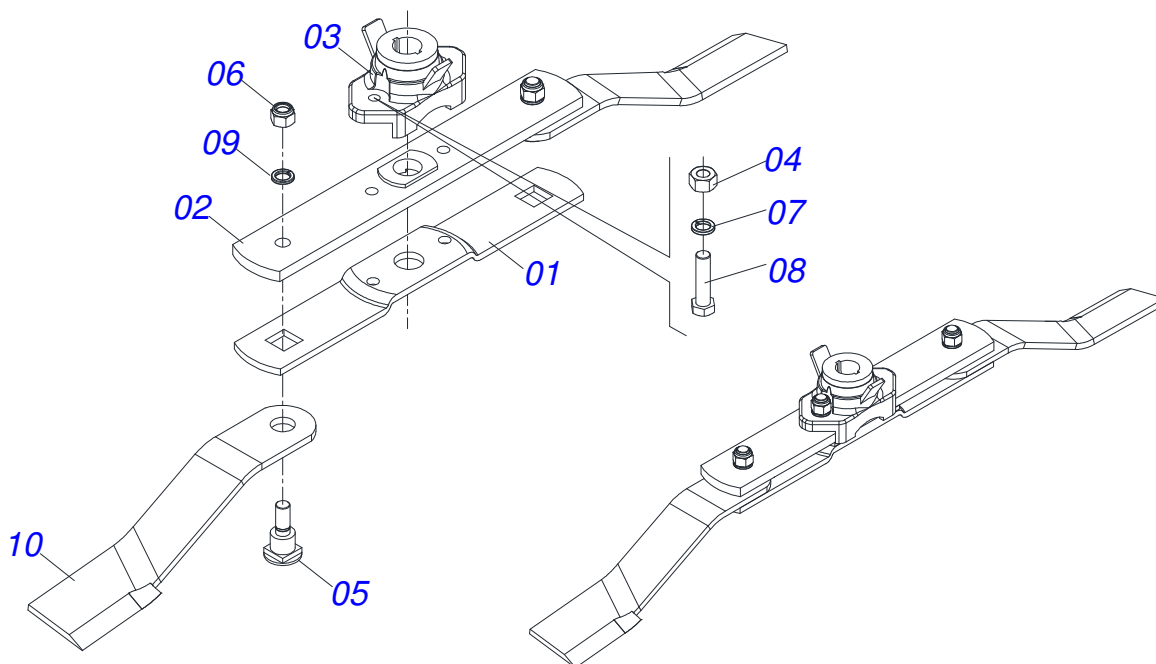




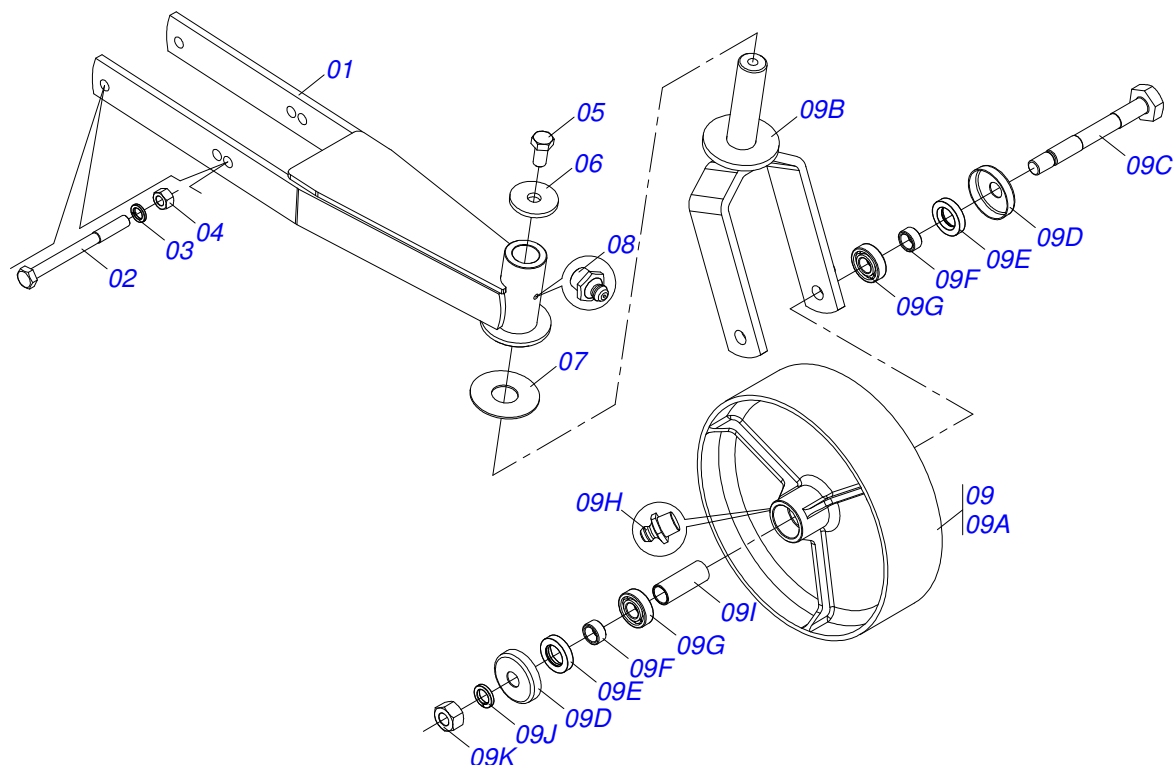
Item	Code	Description	See page	QT
001	0561017369	ROTARY LOWER SUPPORT LOWER		01
002	0561017307	SUPPORT UPPER BASE		01
003	0511019000	BOLT		02
004	0503010812	7/8" UNF SELF LOCKING NUT		02
005	0503011447	SPRING WASHER		02
006	0622400057	21.6" X 3.94" X 0.5" ROTARY CUTTER		02



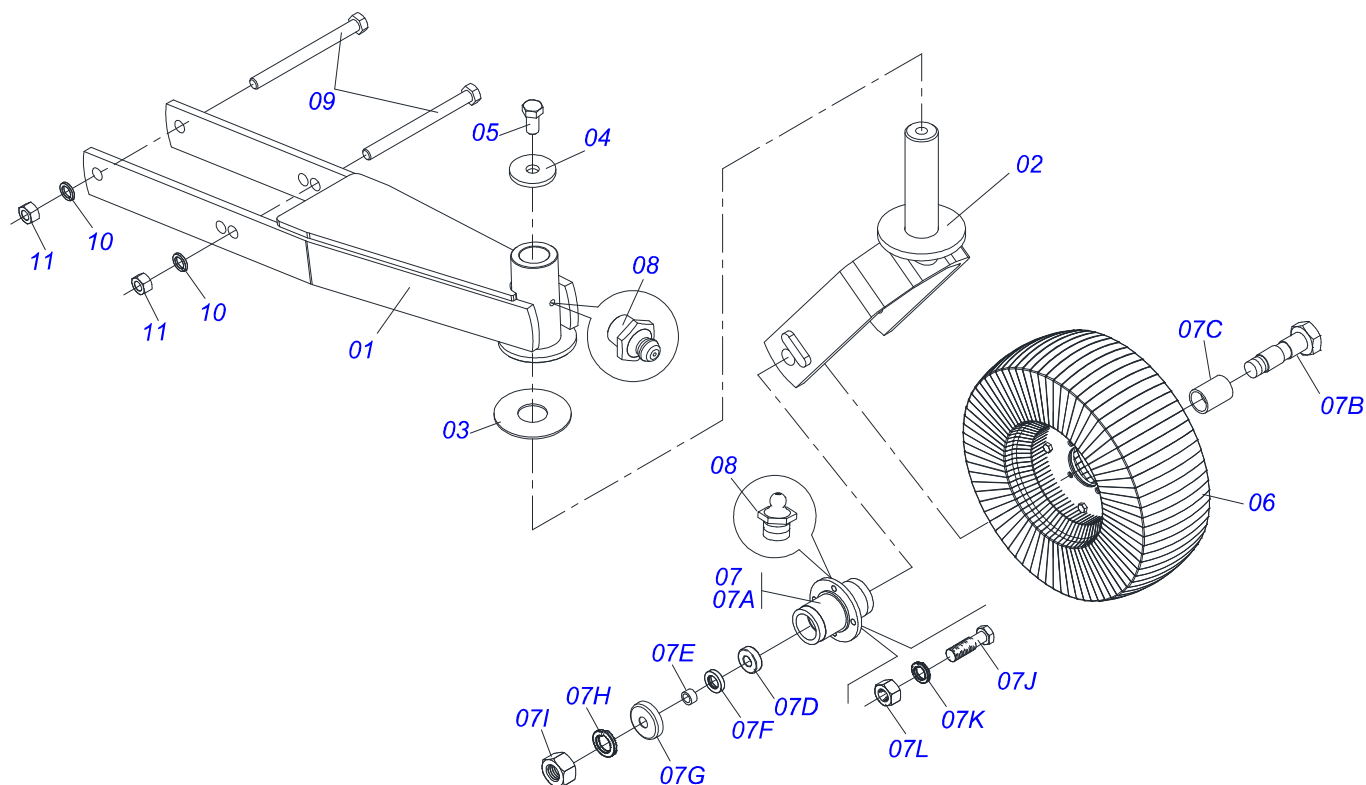
Item	Code	Description	See page	QT
001	0521064871	FRAME		01
002	0511042158	RH MULTIPLIER	11	02
003	0503013471	60-2 X 21 CHAIN LINK + MENDING		04
004	0511041608	DOUBLE DISTRIBUTOR	12	01
005	0503010797	3/4" X 4" BOLT		08
006	0501010216	3/4" X 4-1/2" BOLT		04
007	0503011442	3/4" SPRING WASHER		12
008	0503010014	3/4" NUT		12
009	0511066369	COUPLING 274,5 ( RC2 3100 CL )		02
010	0501056455	RH ROTARY SUPPORT 540	6	02
011	0502012453	SUPPORT FLANGE		01
012	0503011328	3/4" X 4" BOLT		02
013	0503011442	3/4" SPRING WASHER		02
014	0503010014	3/4" NUT		02
015	0501010536	KEYWAY SQUARE		04
016	0501017779	32 X 60 X 4.75 FLAT WASHER		02
017	0503010817	1.1/4" SELF LOCKING NUT		02
018	0501011600	1/2" X 1-1/4" BOLT		02
019	0501010243	1/2" X 1-1/2" BOLT		01
020	0511017302	FLAT WASHER		03
021	0503011440	SPRING WASHER		03
022	0503012682	1/2" BSW NUT		03
023	0501010322	FLAT WASHER		04
024	0591010772			01
025	0591010772			01
026	0511067340	1.3/4 TERMINAL		04



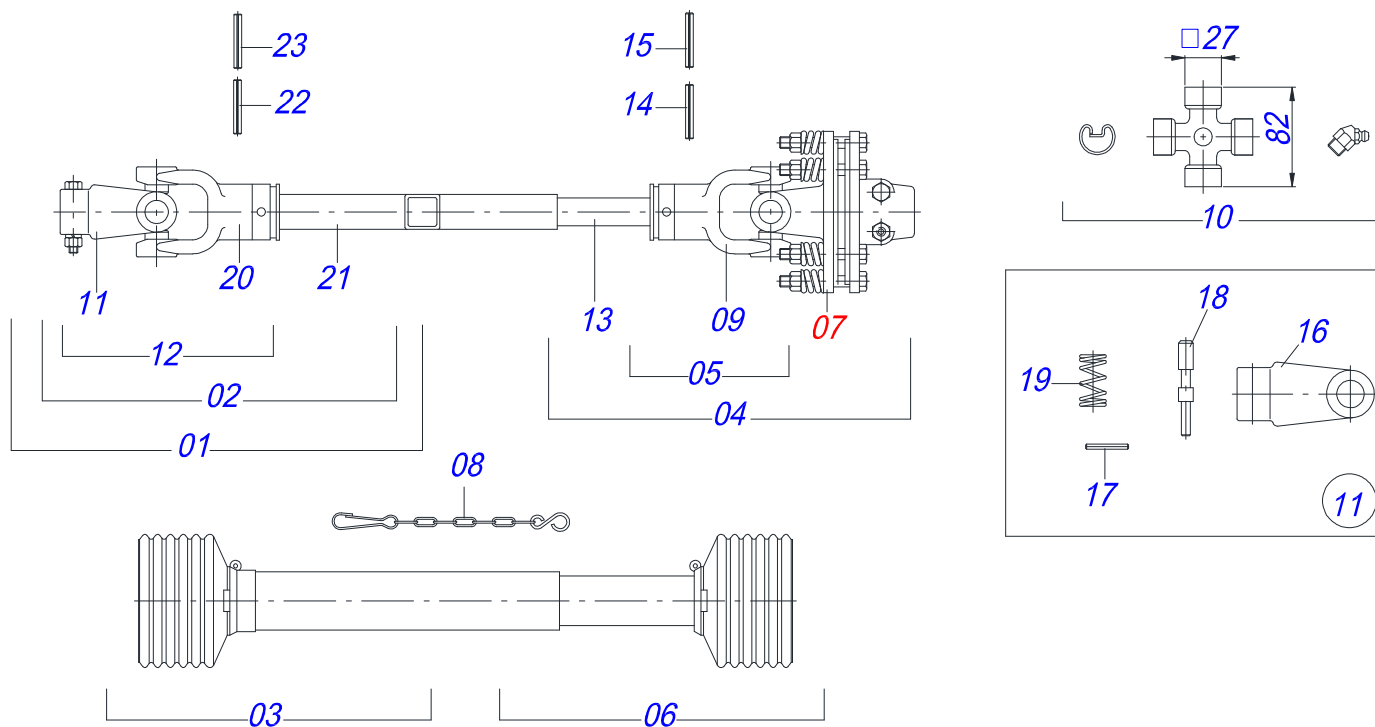
Item	Code	Description	See page	QT
001	0561017369	ROTARY LOWER SUPPORT LOWER		01
002	0561017307	SUPPORT UPPER BASE		01
003	0502012453	SUPPORT FLANGE		01
004	0503010014	3/4" NUT		04
005	0511019000	BOLT		02
006	0503010812	7/8" UNF SELF LOCKING NUT		02
007	0503011442	3/4" SPRING WASHER		02
008	0503011328	3/4" X 4" BOLT		02
009	0503011447	SPRING WASHER		02
010	0622340062			02



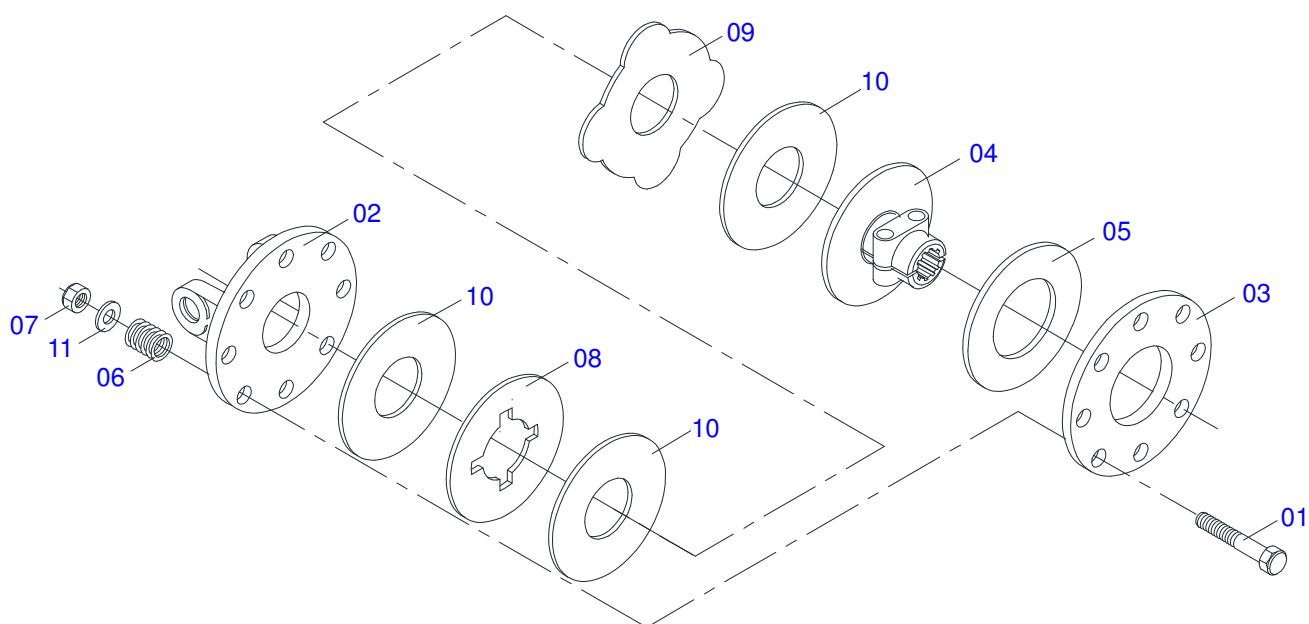
Item	Code	Description	See page	QT
01	0521065281	WHEEL SUPPORT		01
02	0503010795	5/8" X 7" BOLT		02
03	0503010027	5/8" SPRING WASHER		02
04	0503010013	5/8" NUT		02
05	0503010962	5/8" X 1-1/4" BOLT		01
06	0511010721	FLAT WASHER		01
07	0511013239	FLAT WASHER		01
08	0503010002	1800 GREASE FITTING		01
09	0501058460	CARRYING WHEELS		01
09A	0502012519	350 X 100 WHEEL ASSY		01
09B	0501065266	WHELL FORK		01
09C	0501017143	WHEEL AXLE		01
09D	0511014254	DUST CLOAK		02
09E	0503010268	00262-B SEAL		02
09F	0521010487	SPACER WASHER		02
09G	0503010269	6204 BALL BEARING		02
09H	0503010002	1800 GREASE FITTING		01
09I	0521010460	0.9" X 1.1" X 2.9" SLEEVE		01
09J	0503011442	3/4" SPRING WASHER		01
09K	0503010014	3/4" NUT		01



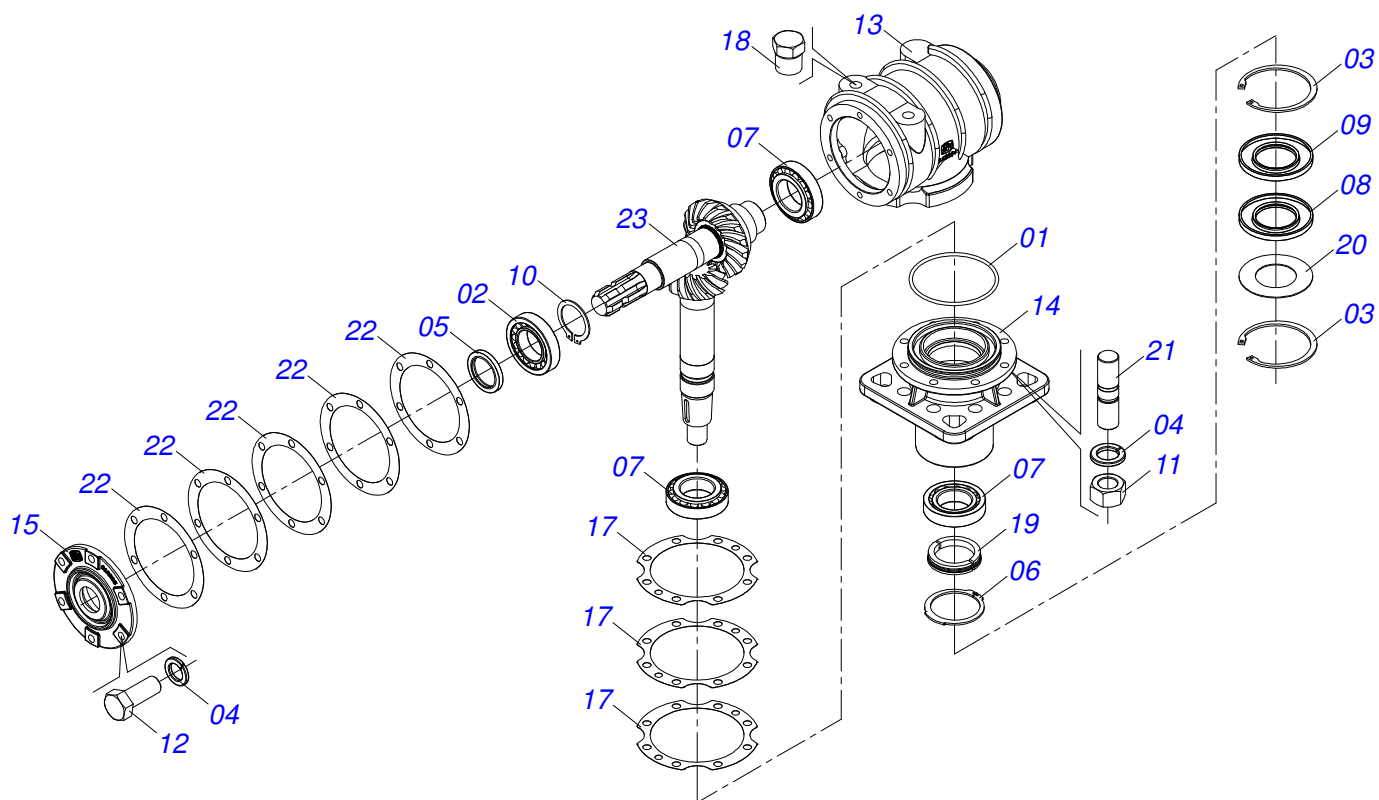
Item	Code	Description	See page	QT
01	0501069375	WHEEL SUPPORT		01
02	0501065266	WHELL FORK		01
03	0511013239	FLAT WASHER		01
04	0511010721	FLAT WASHER		01
05	0503010962	5/8" X 1-1/4" BOLT		01
06	0501050433	TIRE WHELL		01
07	0501051587	WHEELS BOX ASSY		01
07A	0502011286	WHEELS BOX ASSY		01
07B	0501017143	WHEEL AXLE		01
07C	0521010460	0.9" X 1.1" X 2.9" SLEEVE		01
07D	0503010269	6204 BALL BEARING		02
07E	0521010487	SPACER WASHER		02
07F	0503010268	00262-B SEAL		02
07G	0511014254	DUST CLOAK		01
07H	0503010023	3/4" SPRING WASHER		01
07I	0503010014	3/4" NUT		04
07J	0501010080	3/8" BOLT		04
07K	0503010025	3/8" SPRING WASHER		04
07L	0503010026	3/8" NUT		02
08	0503010002	1800 GREASE FITTING		01
09	0503010795	5/8" X 7" BOLT		02
10	0503010027	5/8" SPRING WASHER		02
11	0503010013	5/8" NUT		02



Item	Code	Description	See page	QT
01	0501056228	PROT/SLEEVE UNIVERSAL JOINT		01
02	0501056227	UNIVERSAL JOINT WITH SLEEVE		01
03	0503013619	PROTECTION FOR UNIV JOINT AND SLEEVE		01
04	0501056229	UNIVERSAL JOINT WITH AXLE/PROT		01
05	0501056226	UNIVERSAL JOINT WITH SHAFT		01
06	0503013620	PROTECTION FOR UNIV JOINT AND AXLE		01
07	0501056010	FRICITION CLUTCH	10	01
08	0503012023	CHAIN FOR PROTECTION		02
09	0502010571	3-60 TERMINAL W/ SH 1.43"/1.43"		02
10	0503010837	CARDAN CROSSPIECE		01
11	0501056223	TERM 1-60 C/CANAL CC50		01
12	0501056225	UNIVERSAL JOINT		01
13	0541016743	36,51 X 800 SQUARE SHAFT		01
14	0503011069	0.4" X 2.8" SPRING PIN		01
15	0503011805	0.2" X 2.8" SPRING PIN		01
16	0502011421	1-60 TERMINAL		01
17	0503010838	0.1" X 0.8" SPRING PIN		01
18	0521010638	0.5" X 3.3" QUIC HITCH COUPL SHAFT		01
19	0503030518	0.5"X1.0"X 0.1" COMPRESSION SPRING		01
20	0502010570	2-60 TERMINAL W/ SH 1.8"/1.8"		01
21	0541016742	45,3 X Q37,2 SQUARE SLEEVE		01
22	0503010843	0.4" X 3.3" SPRING PIN		01
23	0503011878	0.2" X 3.3" SPRING PIN		01

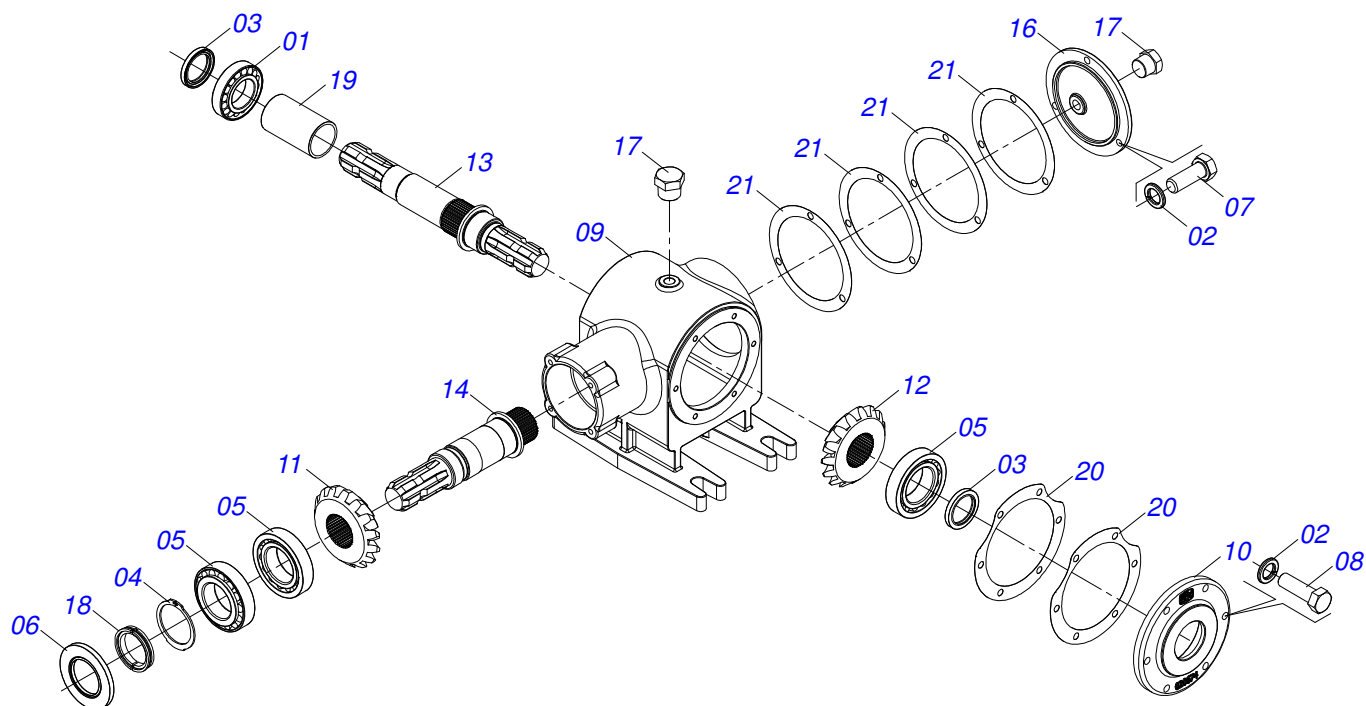


Item	Code	Description	See page	QT
01	0503013564	FRICTION BOLT		08
02	0503013554	FLANGE		01
03	0503013557	COUPLING DISC		01
04	0503013556	CENTRAL CORE		01
05	0503013555	FRICTION DISC		01
06	0503013558	FRICTION SPRING		08
07	0503013559	FRICTION NUT		08
08	0503013561	NOTCHED DISC		01
09	0503013560	INTERMEDIATE DISC		01
10	0503013562	FRICTION DISC		03
11	0503013563	FRICTION WASHER		08



Item	Code	Description	See page	QT
01	0503010286	2-355 N 3006-9B O'RING		01
02	0503010750	30209 BALL BEARING		01
03	0503011420	502100 CLAMPING RING (FOR AXLE)		02
04	0503011440	SPRING WASHER		14
05	0503012103	5301 -BSEAL		01
06	0503012311	501065 RENO RING		01
07	0503012418	32211 ROLLER BEARING		03
08	0503013201	ARCA 6016 BRG SEAL		01
09	0503013211	6016 BRG SEAL		01
10	0503014772	501056 CLAMPING RING (FOR AXLE)		01
11	0503810028	NUT 1/2 NF SA		08
12	0503810395	SCREW 1/2 UNC X 1.1/4 CSRT G.5 SA		06
13	0502012204	SPEED MULTIPLIER BOX		01
14	0502012206	LOWER HUB		01
15	0502012203	RH COVER MULTIPLIER		01
16	3402301247	MINERAL OIL GREASE		2,85Lts
17	0503030785	7.9" X 5.9" X 0.008" JOINT		03
18	0503031604	1/2" BSP PLUG		02
19	0531019302	LOCK RING		01
20	0531818823	FLAT WASHER 55.20 X99,80 X1,50 SA		01
21	0503830084	PRISONER 1/2 UNC X 1/2 UNF X 50 SA		08
22	0503030783	7.1" X 5.3" X 0.008" JOINT		05
23	0503061696	CROWN PINION SET 12Z 12Z AXLE RIGHT		01





Item	Code	Description	See page	QT
01	0503010750	30209 BALL BEARING		01
02	0503011443	3/8" SPRING WASHER		09
03	0503012103	5301 -BSEAL		02
04	0503012311	501065 RENO RING		01
05	0503012418	32211 ROLLER BEARING		03
06	0503013201	ARCA 6016 BRG SEAL		01
07	0503810237	3/8 UNC X 1 C S G.5 SA BOLT		03
08	0503810751	3/8 UNC X 1.1/4 C S G.5 - SCREW		06
09	0502012178	DOUBLE DISTRIBUTOR BOX		01
10	0502020674	DISTRIBUTOR DOUBLE COVER		01
11	0503033139	RIGHT 15Z CONICAL GEAR		01
12	0503033140	15Z LEFT CONICAL GEAR		01
13	0503033141	LARGER AXLE		01
14	0503033142	SMALLER AXLE S-0503 EG-1935		01
15	3402301247	MINERAL OIL GREASE		2,0Lts
16	0502020160	COVER WITH DOUBLE DISTRIBUTOR		01
17	0503010856	OIL PLUG		02
18	0531019302	LOCK RING		01
19	0551018078	SLEEVE FLANGE BALL BEARING		01
20	0503030228	7.1" X 5.3" X 0.008" JOINT		02
21	0503030341	6.4" X 0.008" JOINT		04





[www.marchesan.com.br](http://www.marchesan.com.br)



**Technical Publications | Elaboration and Revision**  
ALESSANDRA PATRICIA KAWAHARA CARRILI