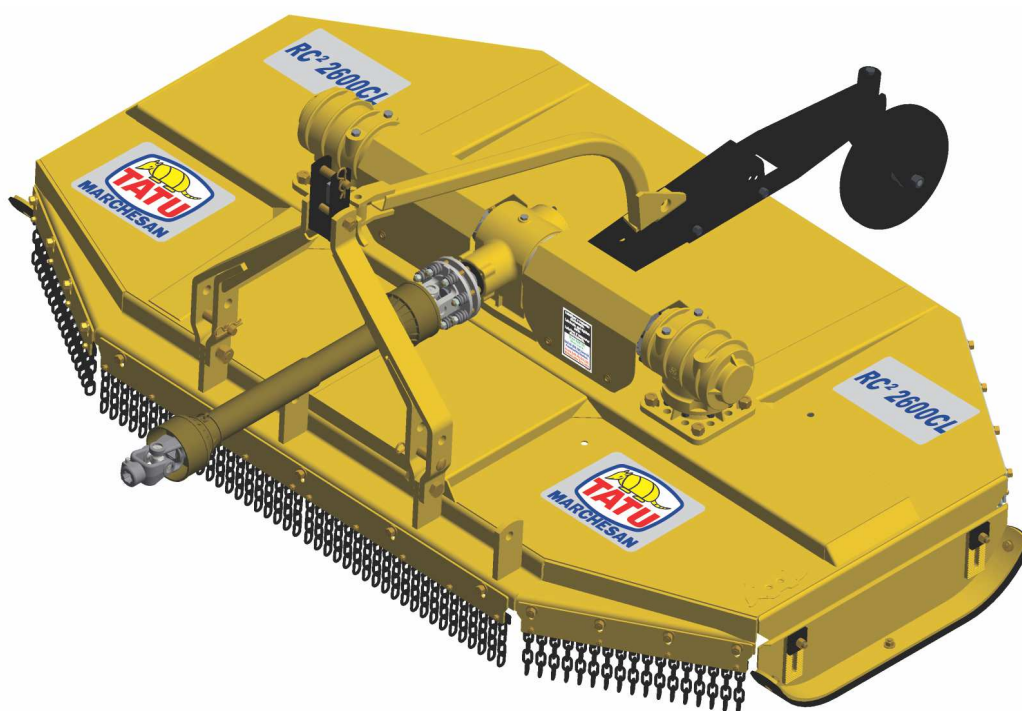


PARTS CATALOG

ROTARY CUTTERS

RC2 2600 CL

Code: 0501091619



Series: S-0214

Rev.: 03

Date Rev.: AGOSTO/2019

ORIGINAL PARTS
TATU



PRODUCTS

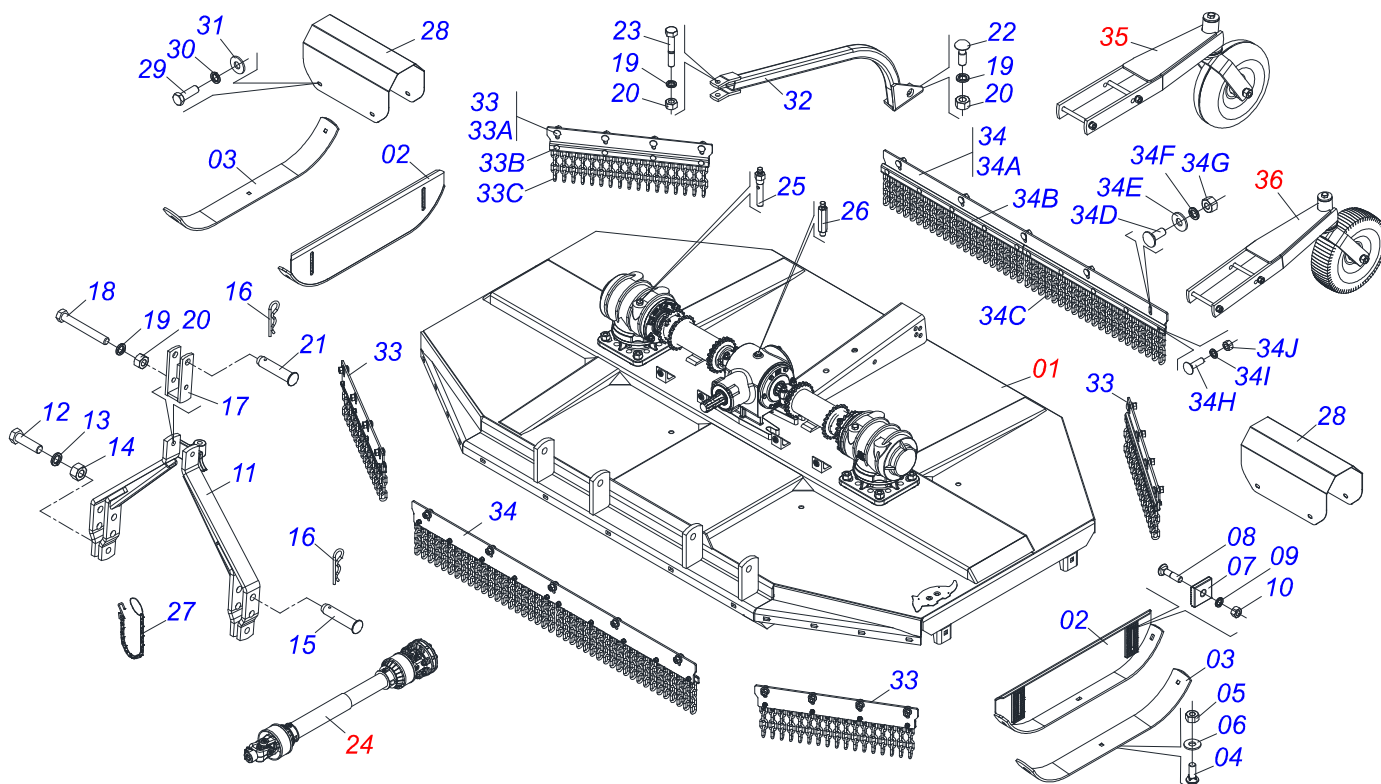
Code	Description
0104120072C	RC2 2600 CL C/R C/PROT EXP S-0214
0104120072	RC2 2600 CL C/R C/PROT S-0214

ATTENTION: **IMPORTANT**

MARCHESAN S/A RESERVES THE RIGHT AT ANY TIME TO MAKE IMPROVEMENTS IN THE DESIGN, MATERIAL OR SPECIFICATIONS OF MACHINERY, EQUIPMENT OR PARTS WITHOUT THEREBY BECOMING LIABLE TO MAKE SIMILAR CHANGES IN MACHINERY, EQUIPMENT OR PARTS PREVIOUSLY SOLD.

INDEX

0909090899	FRAME ASSY	1
0511059095	SEMIFINISHED FRAME	2
0511047301	CARRYING WHEELS ASSY	3
0501043642	RUBBER WHEEL ASSY	4
0511043450	DRIVE SHAFT	5
0501056010	FRICITION CLUTCH	6
0501055991	SUPPORT WITH ROTARY CUTTER BLADES	7
0511042158	RH MULTIPLIER	8
0511041608	DOUBLE DISTRIBUTOR	9
0909091430	(SHEET METAL SUPPORT)SPARE	10

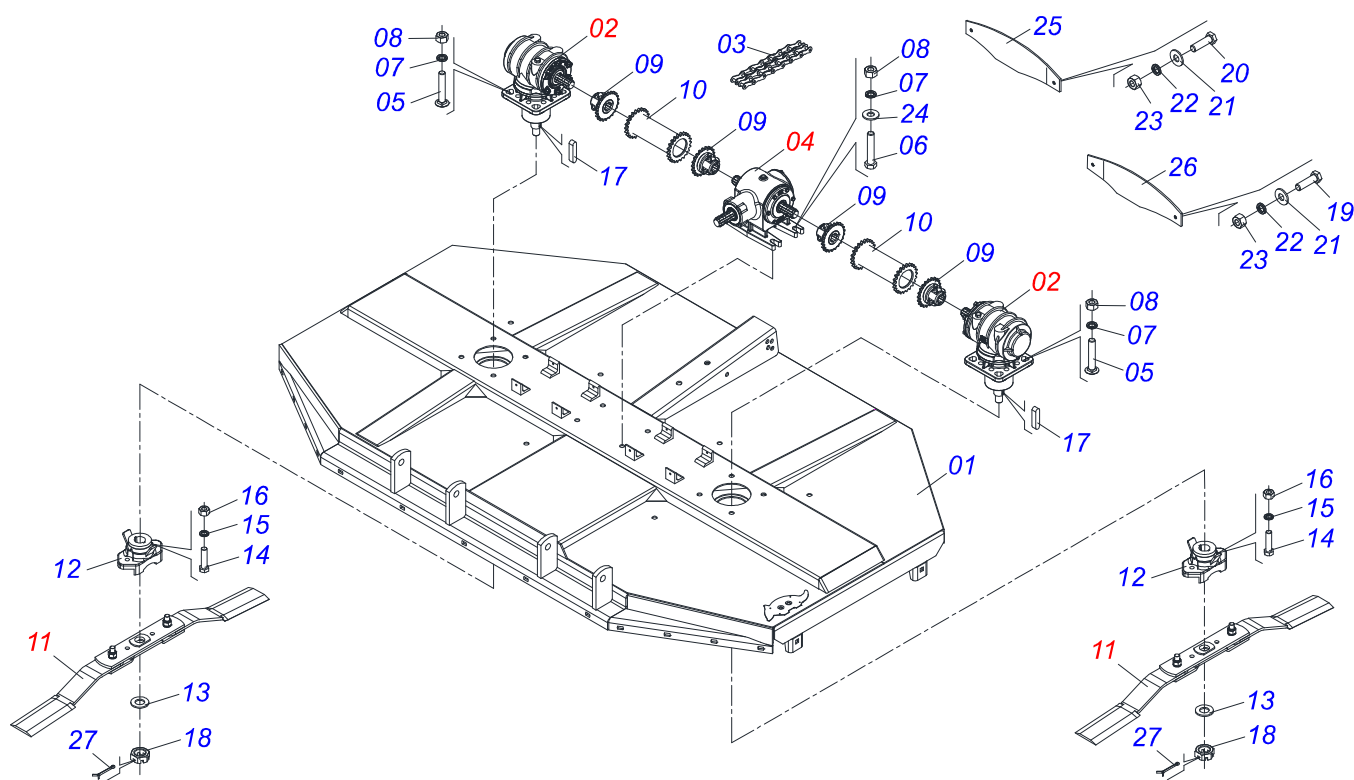


Item	Code	Description	See page	QT
01	0511059095	SEMI-FINISHED FRAME	2	01
02	0511064760	930 SKID		02
03	0531019436	SKID GUIDE		02
04	0503012956	1/2" X 1-1/2" BOLT		06
05	0503010020	1/2"NUT		06
06	0511017302	FLAT WASHER		06
07	0502010083	SQUARE WASHER		04
08	0501014177	5/8" X 2-1/2" BOLT		04
09	0503010027	SPRING WASHER		04
10	0503010013	5/8" NUT		04
11	0501066446	DRAWBAR		01
12	0501010171	PARAFUSO 1 UNC X 3.1/2 C S G.5		02
13	0503010012	1" SPRING WASHER		02
14	0501010059	1.5/8 NUT		02
15	0521010596	COUPLING SHAFT		02
16	0503031035	HAIR PIN		02
17	0501066445	PIVOT DOUBLE BAR		01
18	0503011198	C3/4" X 6" BOLT		01
19	0503010023	SPRING WASHER		03
20	0503010014	3/4" NUT		03
21	0521010578	COUPLING SHAFT		01
22	0501017305	3/4" X 2-1/4" BOLT		01
23	0501010216	3/4" X 4-1/2" BOLT		01
24	0511043450	DRIVE SHAFT	5	01
25	0501110186	OIL SMALLER LEVEL INDICATOR		01
26	0501110843	DOBLE DISTRIBUTOR HOLE		01
27	0503011981	17.7" CHAIN WITH HOOK/LINK		01
28	0541015841	PROTECTION COVER		02
29	0503010256	3/8" X 3/4" BOLT		08
30	0503010025	3/8 SPRING WASHER		08
31	0501010984	FLAT WASHER		08

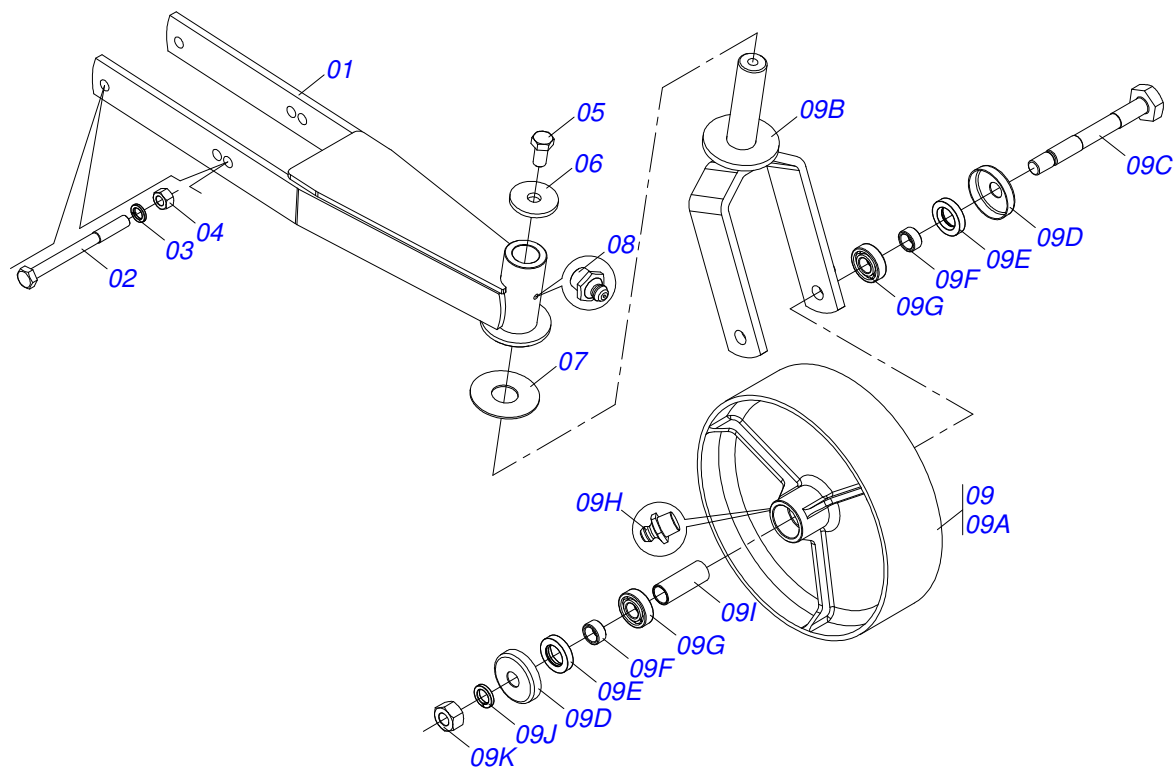


RC2 2600 CL
FRAME ASSY

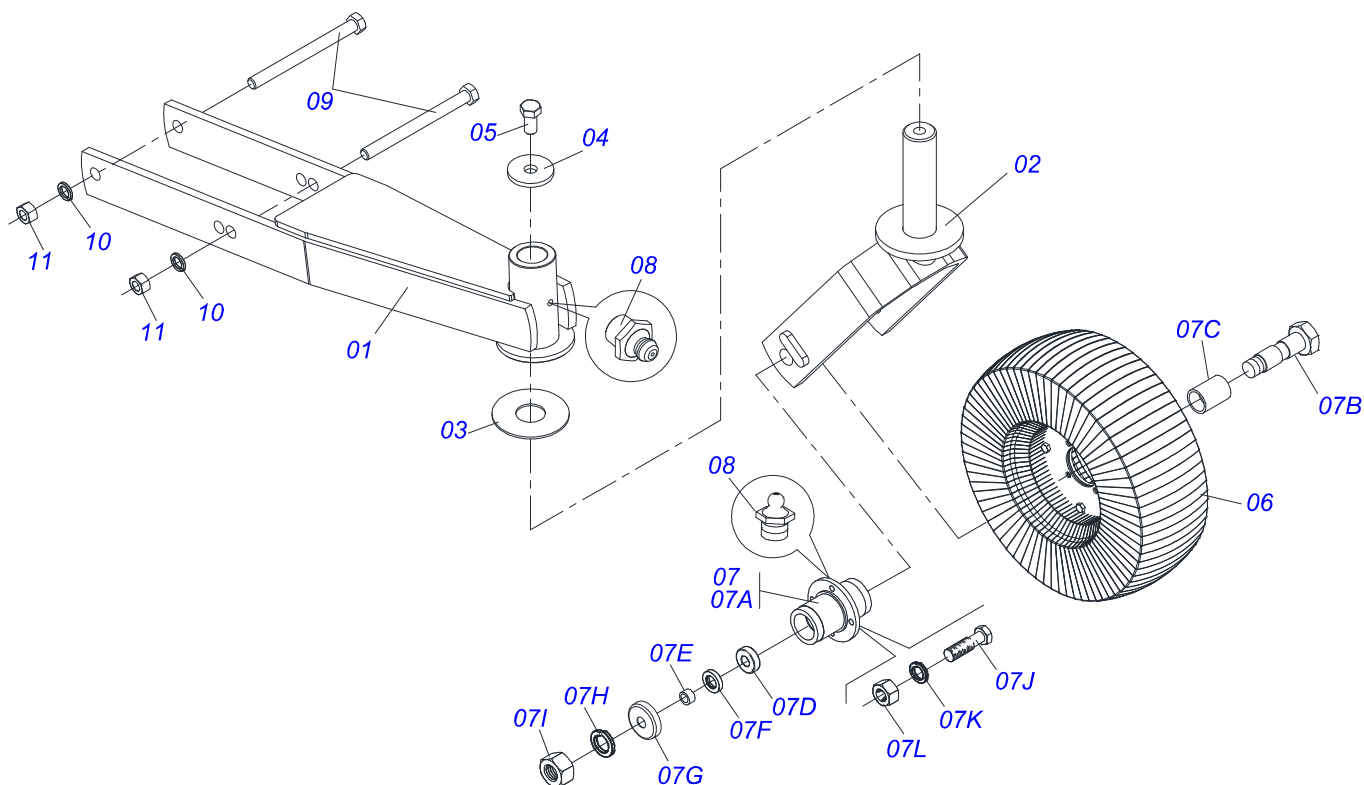
Item	Code	Description	See page	QT
32	0521065849	ATTACHMENT BAR		01
33	0511055387	CHAIN PROTECTION		04
33A	0571016168	CHAIN PROTECTION BODY		04
33B	0571016167	PROTECTION CLAW		04
33C	0511011774	8,00 CHAIN 4 LINK		68
34	0511054959	CHAIN PROTECTION		02
34A	0571015858	CHAIN PROTECTION BODY		02
34B	0571015852	PROTECTION CLAW		02
34C	0511011774	8,00 CHAIN 4 LINK		84
34D	0501011600	1/2" X 1-1/4" BOLT		16
34E	0511017302	FLAT WASHER		16
34F	0503010019	1/2" SPRING WASHER		16
34G	0503010020	1/2"NUT		16
34H	0501010942	3/8" X 1-1/4" BOLT		36
34I	0503010025	3/8 SPRING WASHER		36
34J	0503010026	3/8" NUT		36
35	0511047301	CARRYING WHEELS ASSY	3	01
36	0501043642	RUBBER WHEEL ASSY	4	01



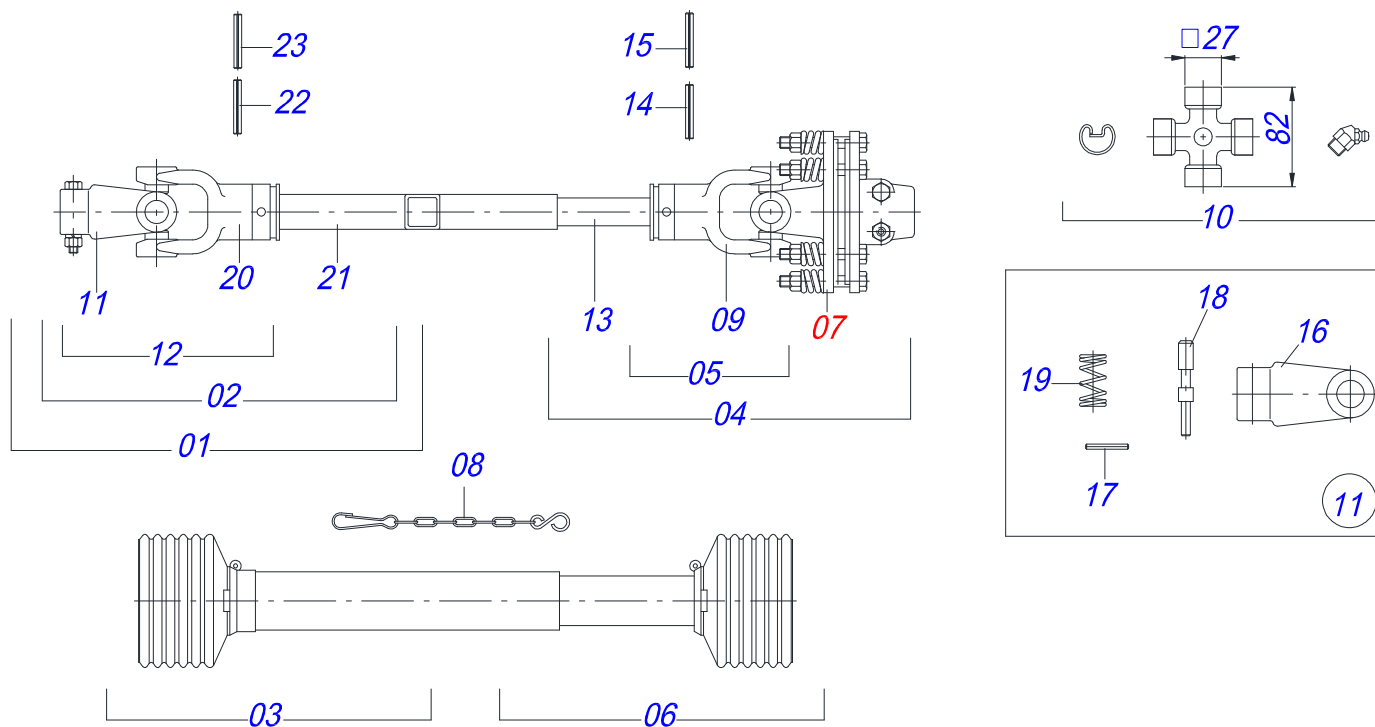
Item	Code	Description	See page	QT
001	0521066355			01
002	0511042158	RH MULTIPLIER	8	02
003	0503013471	60-2 X 21 CHAIN LINK + MENDING		04
004	0511041608	DOUBLE DISTRIBUTOR	9	01
005	0503010797	3/4" X 4" BOLT		08
006	0501010216	3/4" X 4-1/2" BOLT		04
007	0503011442	3/4" SPRING WASHER		12
008	0503010014	3/4" NUT		12
009	0511067340	1.3/4 TERMINAL		04
010	0511066368	174,5 COUPLING (RC2 2600 CL)		02
011	0501055991	SUPPORT WITH ROTARY CUTTER BLADES	7	02
012	0502012453	SUPPORT FLANGE		02
013	0501017779	FLAT WASHER		02
014	0503011328	3/4" X 4" BOLT		04
015	0503011442	3/4" SPRING WASHER		04
016	0503010014	3/4" NUT		04
017	0501010536	KEYWAY SQUARE		02
018	0503011052	1.1/4" X 0.77" CASTLE NUT		02
019	0501011600	1/2" X 1-1/4" BOLT		02
020	0501010243	1/2" X 1-1/2" BOLT		02
021	0511017302	FLAT WASHER		04
022	0503011440	SPRING WASHER		04
023	0503010020	1/2"NUT		04
024	0501010322	FLAT WASHER		04
025	0511019204	35.4" LEFT PROTECTION		01
026	0511019205	35.4" RIGHT PROTECTION		01
027	0503010067	3/16" X 2.1/2" COTTER PIN		02



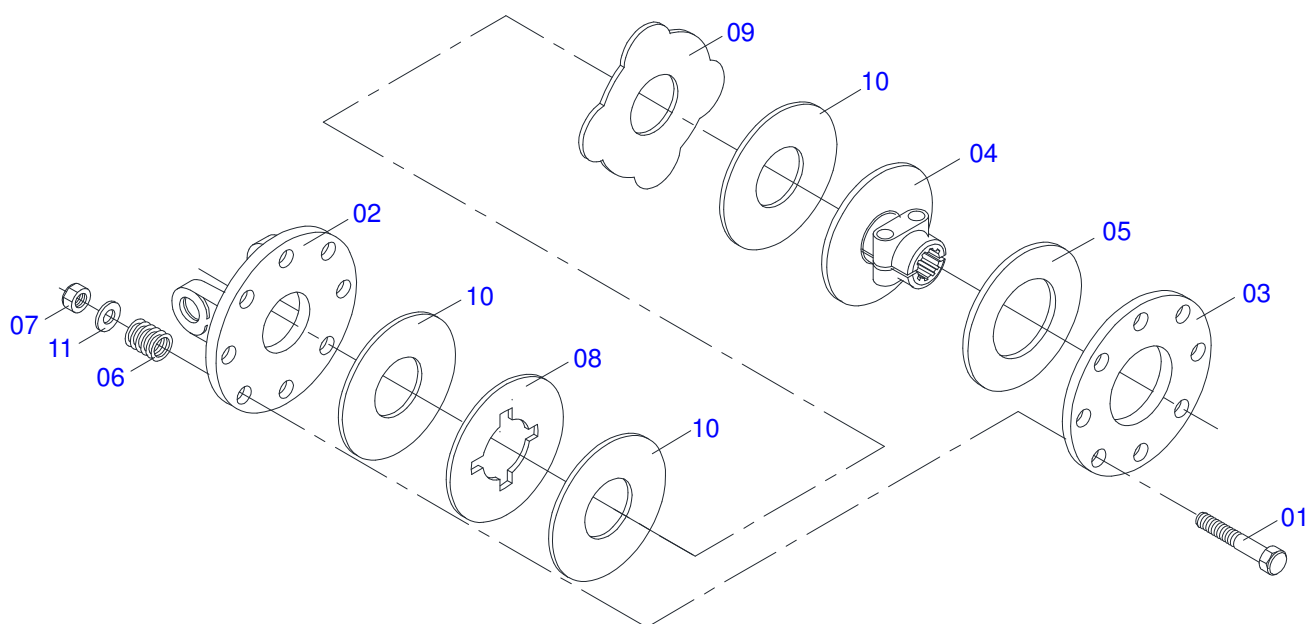
Item	Code	Description	See page	QT
01	0521065281	WHEEL SUPPORT		01
02	0503010795	5/8" X 7" BOLT		02
03	0503010027	SPRING WASHER		02
04	0503010013	5/8" NUT		02
05	0503010962	5/8" X 1-1/4" BOLT		01
06	0511010721	FLAT WASHER		01
07	0511013239	FLAT WASHER		01
08	0503010002	1800 GREASE FITTING		01
09	0501058460	CARRYING WHEELS		01
09A	0502012519	350 X 100 WHEEL ASSY		01
09B	0501065266	WHELL FORK		01
09C	0501017143	WHEEL AXLE		01
09D	0511014254	DUST CLOAK		02
09E	0503010268	00262-B SEAL		02
09F	0521010487	SPACER WASHER		02
09G	0503010269	6204 BALL BEARING		02
09H	0503010002	1800 GREASE FITTING		01
09I	0521010460	0.9" X 1.1" X 2.9" SLEEVE		01
09J	0503011442	3/4" SPRING WASHER		01
09K	0503010014	3/4" NUT		01



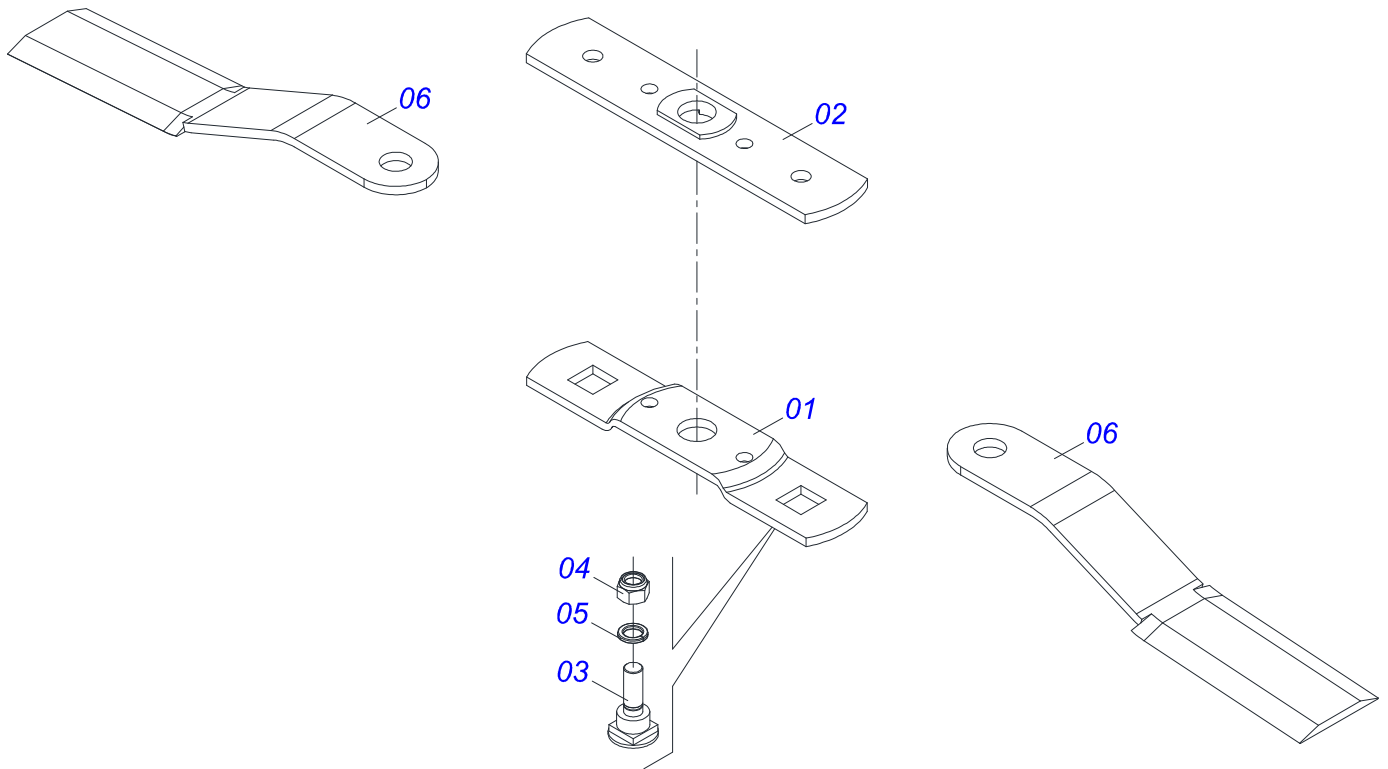
Item	Code	Description	See page	QT
01	0501069375	WHEEL SUPPORT		01
02	0501065266	WHELL FORK		01
03	0511013239	FLAT WASHER		01
04	0511010721	FLAT WASHER		01
05	0503010962	5/8" X 1-1/4" BOLT		01
06	0501050433	TIRE WHELL		01
07	0501051587	WHEELS BOX ASSY		01
07A	0502011286	WHEELS BOX ASSY		01
07B	0501017143	WHEEL AXLE		01
07C	0521010460	0.9" X 1.1" X 2.9" SLEEVE		01
07D	0503010269	6204 BALL BEARING		02
07E	0521010487	SPACER WASHER		02
07F	0503010268	00262-B SEAL		02
07G	0511014254	DUST CLOAK		01
07H	0503010023	SPRING WASHER		01
07I	0503010014	3/4" NUT		04
07J	0501010080	3/8" BOLT		04
07K	0503010025	3/8" SPRING WASHER		04
07L	0503010026	3/8" NUT		02
08	0503010002	1800 GREASE FITTING		01
09	0503010795	5/8" X 7" BOLT		02
10	0503010027	SPRING WASHER		02
11	0503010013	5/8" NUT		02



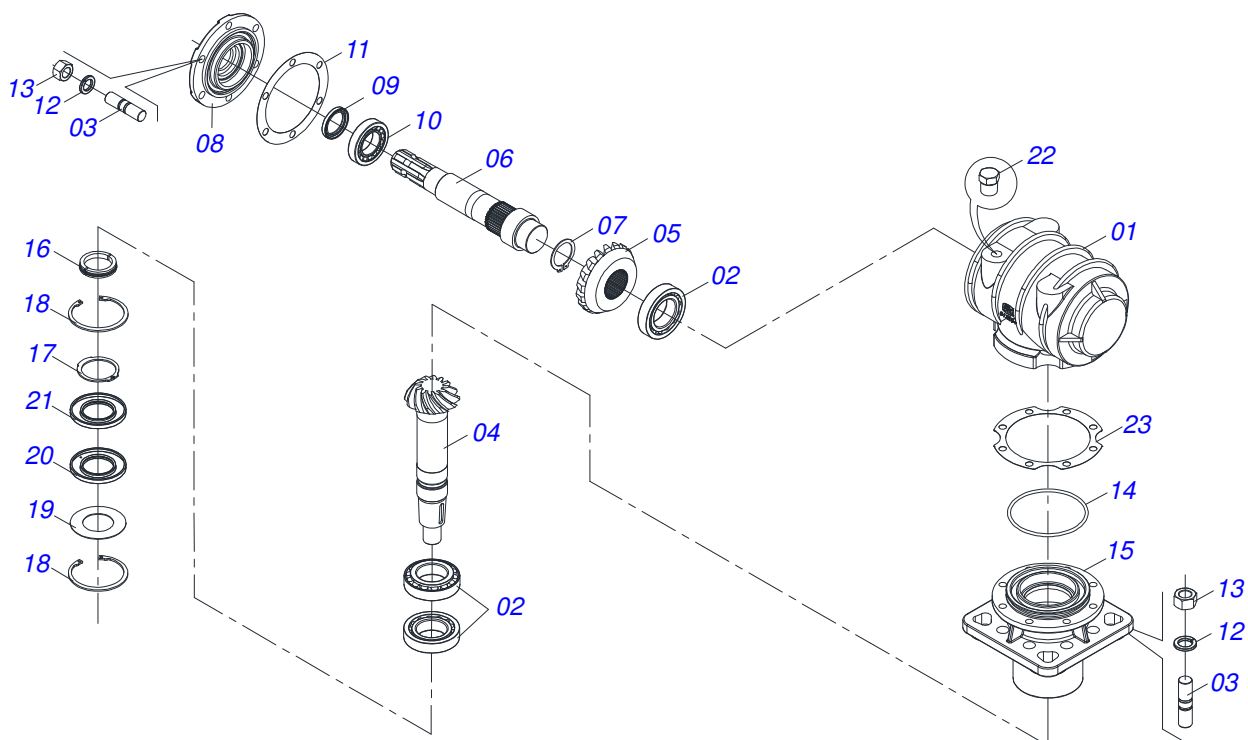
Item	Code	Description	See page
01	0501056228	PROT/SLEEVE UNIVERSAL JOINT	01
02	0501056227	UNIVERSAL JOINT WITH SLEEVE	01
03	0503013619	PROTECTION FOR UNIV JOINT AND SLEEVE	01
04	0501056229	UNIVERSAL JOINT WITH AXLE/PROT	01
05	0501056226	UNIVERSAL JOINT WITH SHAFT	01
06	0503013620	PROTECTION FOR UNIV JOINT AND AXLE	01
07	0501056010	FRICITION CLUTCH	6 01
08	0503012023	CHAIN FOR UNIV JOINT PROTECTION	02
09	0502010571	3-60 TERMINAL W/ SH 1.43"/1.43"	02
10	0503010837	CARDAN CROSSPIECE	01
11	0501056223	TERM 1-60 C/CANAL CC50	01
12	0501056225	UNIVERSAL JOINT	01
13	0541016743	36,51 X 800 SQUARE SHAFT	01
14	0503011069	0.4" X 2.8" SPRING PIN	01
15	0503011805	0.2" X 2.8" SPRING PIN	01
16	0502011421	1-60 TERMINAL	01
17	0503010838	0.1" X 0.8" SPRING PIN	01
18	0521010638	0.5" X 3.3" QUIC HITCH COUPL SHAFT	01
19	0503030518	0.5"X1.0"X 0.1" COMPRESSION SPRING	01
20	0502010570	2-60 TERMINAL W/ SH 1.8"/1.8"	01
21	0541016742	45,3 X Q37,2 SQUARE SLEEVE	01
22	0503010843	0.4" X 3.3" SPRING PIN	01
23	0503011878	0.2" X 3.3" SPRING PIN	01



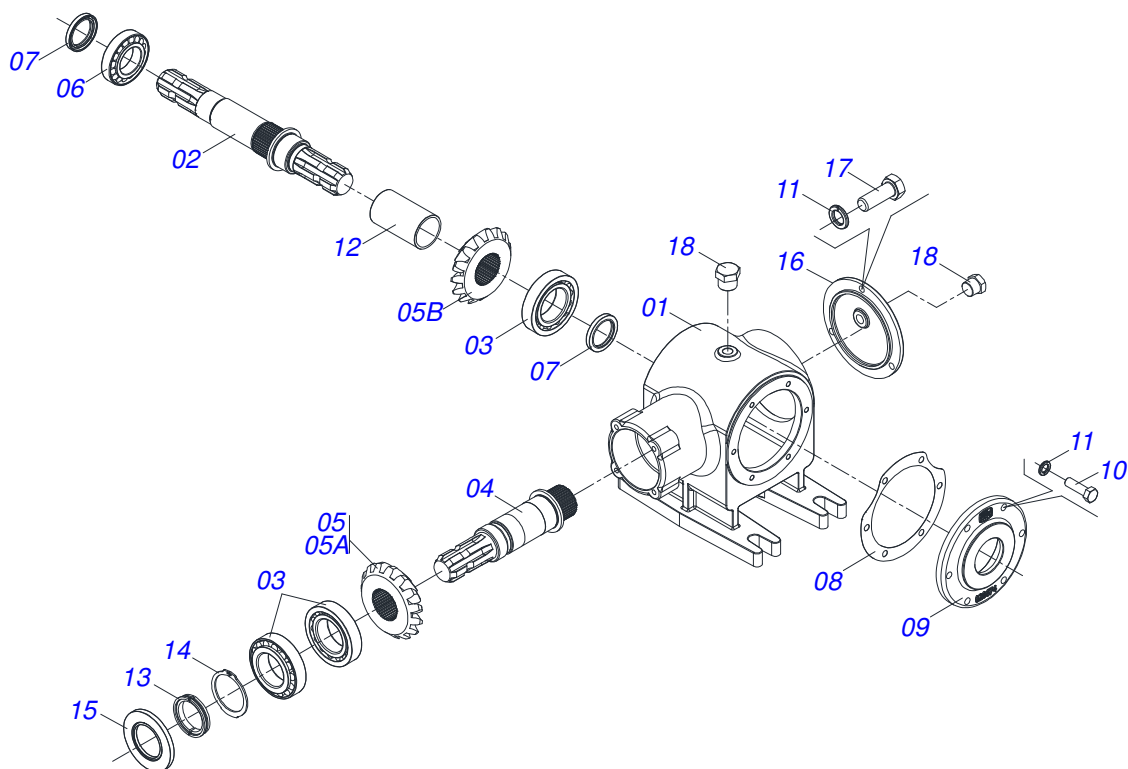
Item	Code	Description	See page
01	0503013564	FRICTION BOLT	08
02	0503013554	FLANGE	01
03	0503013557	COUPLING DISC	01
04	0503013556	CENTRAL CORE	01
05	0503013555	FRICTION DISC	01
06	0503013558	FRICTION SPRING	08
07	0503013559	FRICTION NUT	08
08	0503013561	NOTCHED DISC	01
09	0503013560	INTERMEDIATE DISC	01
10	0503013562	FRICTION DISC	01
11	0503013563	FRICTION WASHER	08



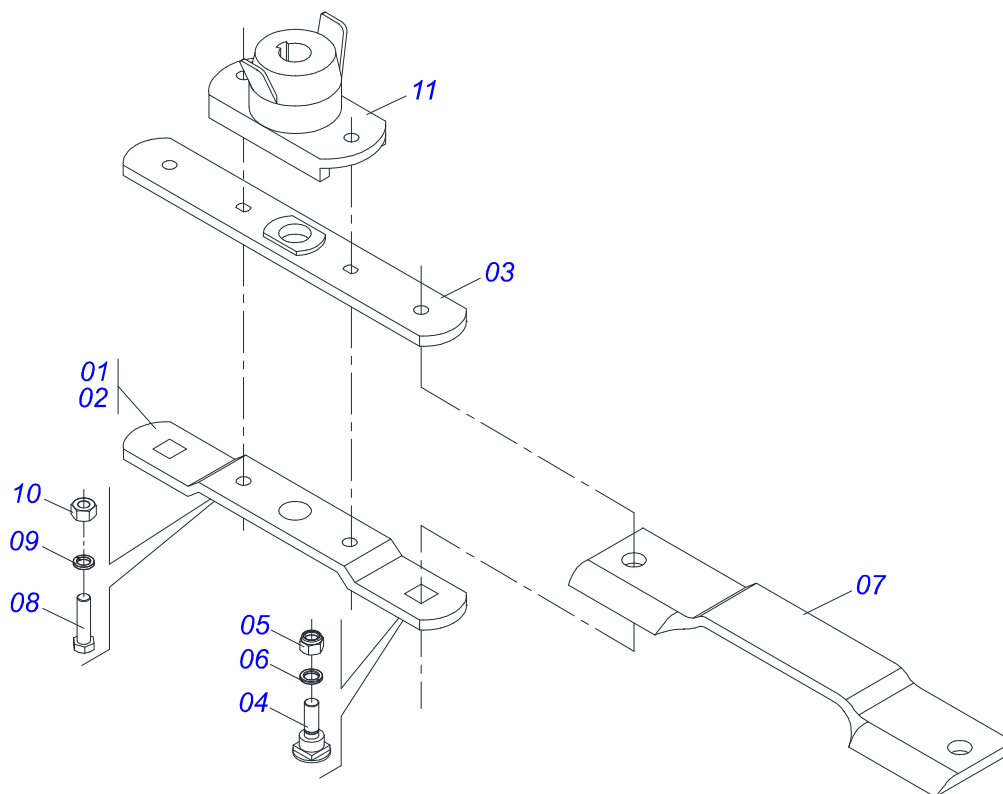
Item	Code	Description	See page	QT
001	0561017368	ROTARY LOWER SUPPORT		01
002	0561017308	SUPPORT UPPER BASE		01
003	0511019000	BOLT		02
004	0503010812	7/8" SELF-ADJUSTING NUT		02
005	0503011447	SPRING WASHER		02
006	0622400057	21.6" X 3.94" X 0.5" ROTARY CUTTER		02



Item	Code	Description	See page
01	0502012204	SPEED MULTIPLIER BOX	01
02	0503012418	32211 ROLLER BEARING	03
03	0503030084	1/2" X 1/2" X 2.0" STUD	14
04	0503031917	12Z LOWER CONICAL GEAR	01
05	0503031918	18Z CONICAL GEAR	01
06	0503031916	UPPER AXLE	01
07	0503014772	501056 CLAMPING RING (FOR AXLE)	01
08	0502012203	RH COVER MULTIPLIER	01
09	0503012103	5301 -BSEAL	01
10	0503010750	30209 BALL BEARING	01
11	0503030783	7.1" X 5.3" X 0.008" JOINT	06
12	0503011440	SPRING WASHER	06
13	0503010028	1/2" NUT	06
14	0503010286	2-355 N 3006-9B O'RING	01
15	0502012206	LOWER HUB	01
16	0531019302	LOCK RING	01
17	0503012311	501065 RENO RING	01
18	0503011420	502100 CLAMPING RING (FOR AXLE)	02
19	0531018823	FLAT WASHER	01
20	0503013211	6016 BRG SEAL	01
21	0503013201	ARCA 6016 BRG SEAL	01
22	0503031604	1/2" BSP PLUG	01
23	0503030785	7.9" X 5.9" X 0.008" JOINT	03



Item	Code	Description	See page
01	0502012178	DOUBLE DISTRIBUTOR BOX	01
02	0503033141	LARGER AXLE	01
03	0503012418	32211 ROLLER BEARING	03
04	0503033142	SMALLER AXLE S-0503 EG-1935	01
05	0503060607	GEAR ASSY FOR DOUBLE DISTRIBUTOR	01
05A	0503033139	RIGHT 15Z CONICAL GEAR	01
05B	0503033140	15Z LEFT CONICAL GEAR	01
06	0503010750	30209 BALL BEARING	01
07	0503012103	5301 -BSEAL	02
08	0503030228	7.1" X 5.3" X 0.008" JOINT	01
09	0502020674	DISTRIBUTOR DOUBLE COVER	01
10	0503010751	C3/8" X 1.1/4" HEX BOLT G.5	06
11	0503011443	SPRING WASHER	09
12	0551018078	SLEEVE FLANGE BALL BEARING	01
13	0531019302	LOCK RING	01
14	0503012311	501065 RENO RING	01
15	0503013201	ARCA 6016 BRG SEAL	01
16	0502020160	COVER WITH DOUBLE DISTRIBUTOR	01
17	0503010237	3/8" X 1" BOLT	03
18	0503010856	OIL PLUG	02



Item	Code	Description	See page	QT
01	0501056326	SUPPORT WITH ROTARY CUTTER BLADES		01
02	0561017368	ROTARY LOWER SUPPORT		01
03	0561017308	SUPPORT UPPER BASE		01
04	0511019000	BOLT		02
05	0503010812	7/8" SELF-ADJUSTING NUT		02
06	0503011447	SPRING WASHER		02
07	0622400057	21.6" X 3.94" X 0.5" ROTARY CUTTER		02
08	0503010901	3/4UNC 3.1/2 BOLT		02
09	0503010023	SPRING WASHER		02
10	0503010014	3/4" NUT		02
11	0502012453	SUPPORT FLANGE		01

ANNOTATIONS

A large rectangular area with rounded corners, containing 25 horizontal lines for writing annotations.

ORIGINAL PARTS
TATU





MARCHESAN IMPLEMENTOS E MÁQUINAS AGRÍCOLAS TATU S.A.

AV. Marchesan, 1979 - Post office box, 131 - CEP 15994-900 - Matão - SP - Brazil

Phone +55 16.3382-8282

(FAX Parts) + 55 16.3382. 8297 - (Export) + 55 16.3382.1003

e.mail: tatu@marchesan.com.br www.marchesan.com.br

Technical Publications: Elaboration

ALESSANDRA PATRICIA KAWAHARA CARRILI

Technical Publications: Revision

ALESSANDRA PATRICIA KAWAHARA CARRILI

Contact Catálogo:

E-mail = jgaspari@marchesan.com.br

**ORIGINAL PARTS
TATU**

