

## AUXILIARY PRODUCTS

**Code:**

0501091584

**Product:**

GATG 1200



**Series:**

S-1010

**Revision:**

00

**Date Revision:**

MARÇO/2016



# PRODUCTS

| Code       | Description                       |
|------------|-----------------------------------|
| 0407010040 | GATG BR 1200 C/PN VALV SEG S-1010 |

## ATTENTION: IMPORTANT

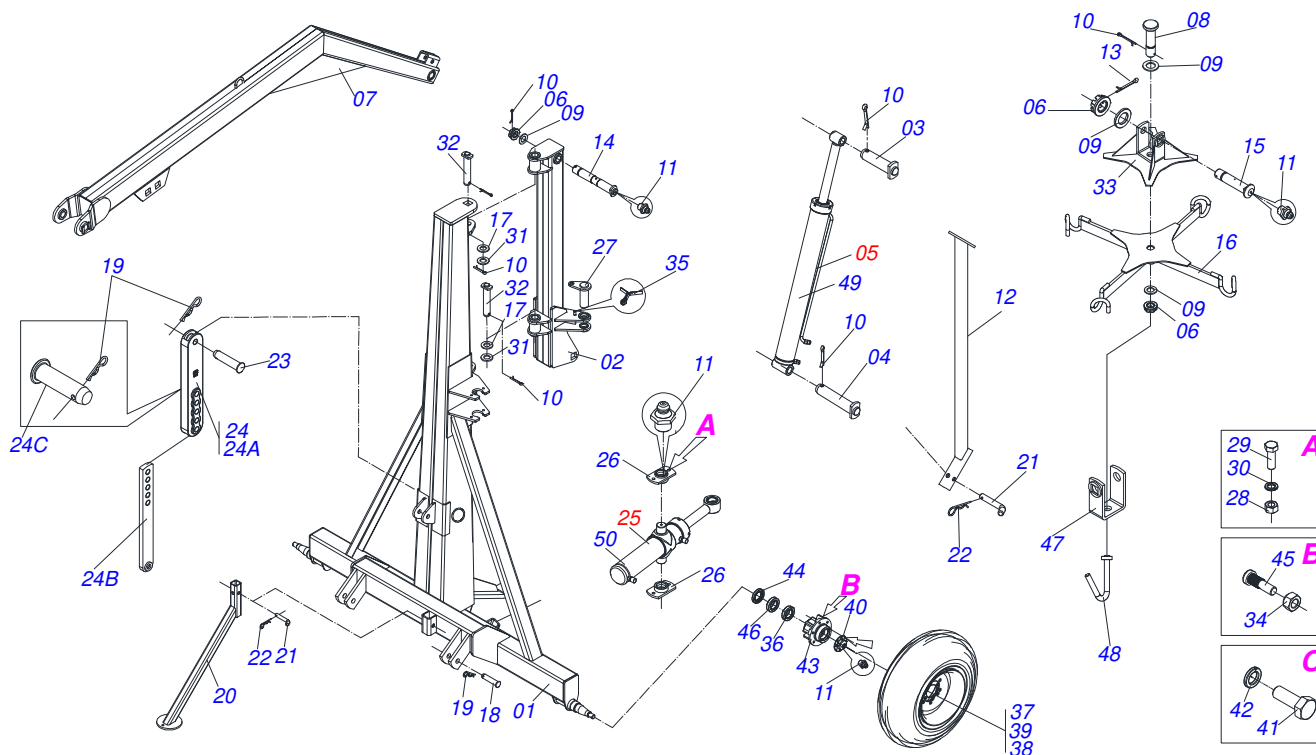
Marchesan S.A. reserves the right to improve and / or modify the technical features of its products, without obligation to do the same with those products already sold and without prior knowledge of the dealer or the consumer.



**MARCHESAN**

# INDEX

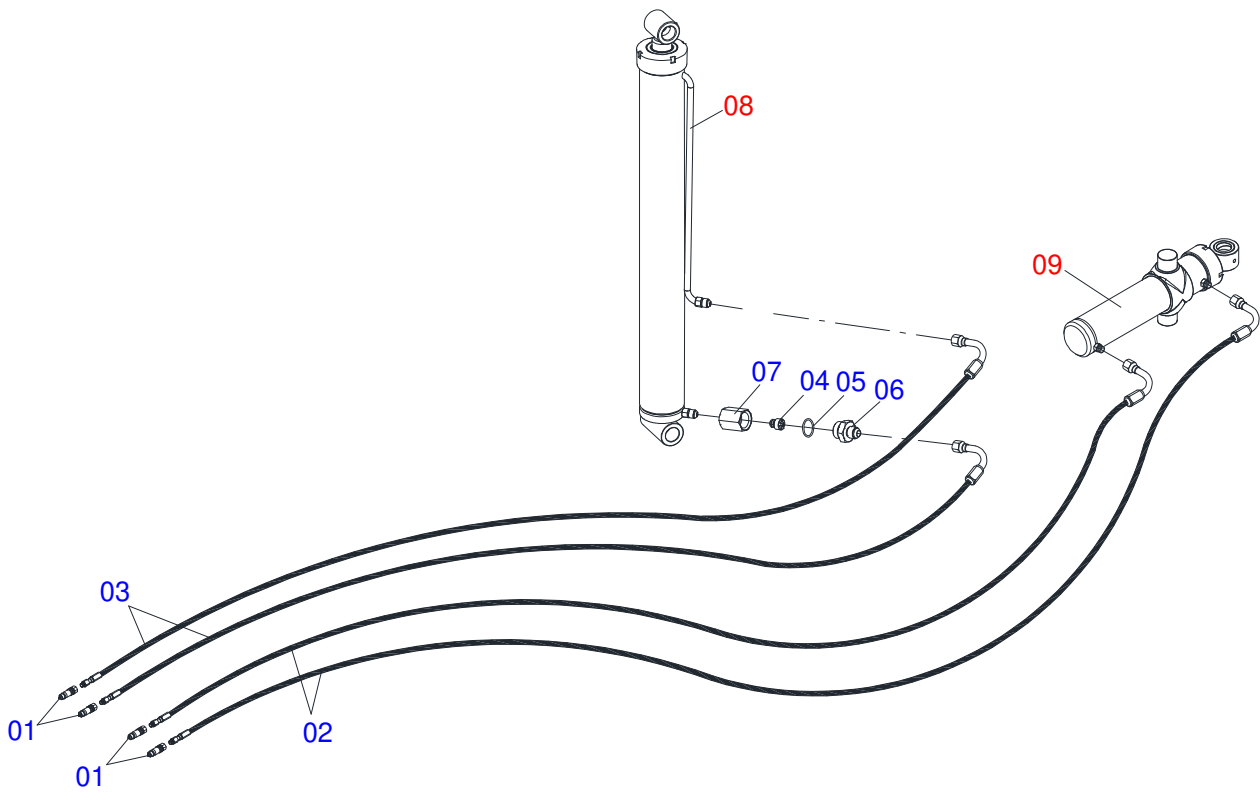
|            |                    |       |   |
|------------|--------------------|-------|---|
| 0909092885 | GATG 1200          | ..... | 1 |
| 0909093252 | HYDRAULIC CIRCUIT  | ..... | 2 |
| 0511048829 | HYDRAULIC CYLINDER | ..... | 3 |
| 0511048828 | HYDRAULIC CYLINDER | ..... | 4 |



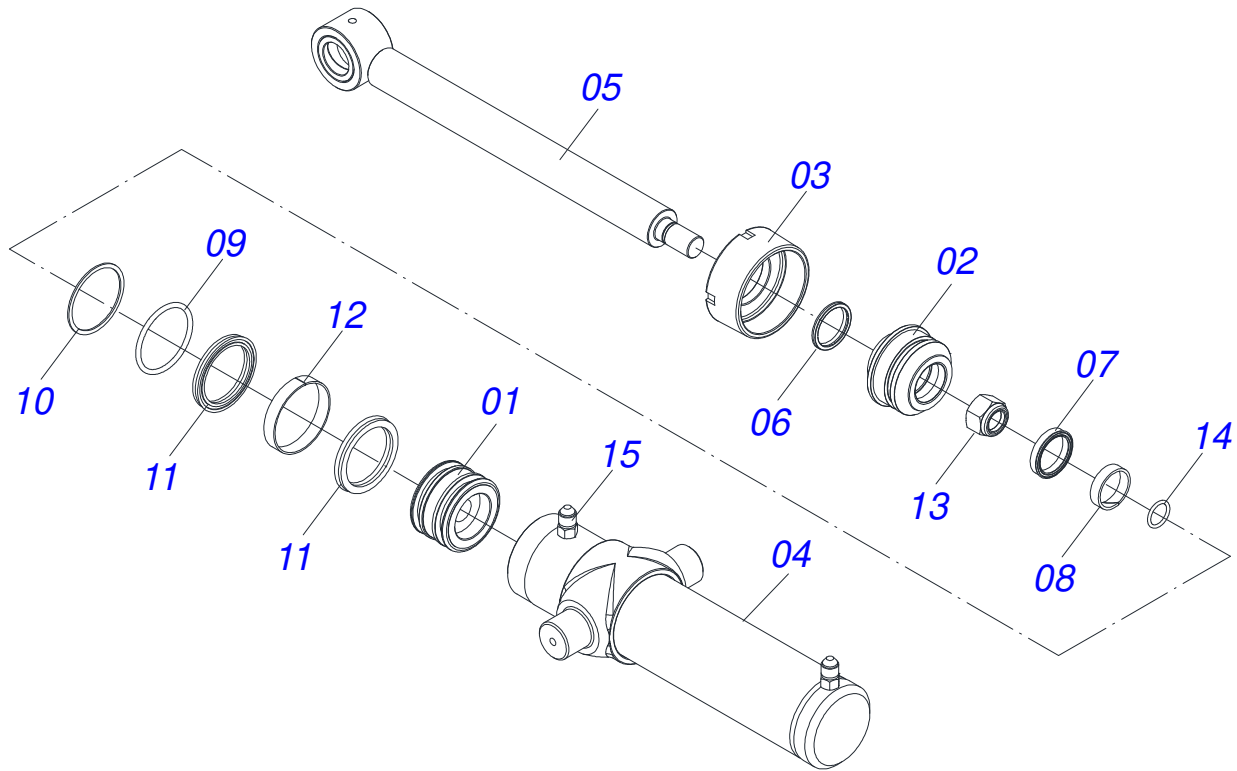
| Item | Code       | Description                      | See page | QT |
|------|------------|----------------------------------|----------|----|
| 01   | 0521061310 | TOWER                            |          | 01 |
| 02   | 0521061767 | SWIVEL TOWER                     |          | 01 |
| 03   | 0521063226 | COUPLING SHAFT                   |          | 01 |
| 04   | 0521063227 | COUPLING SHAFT                   |          | 01 |
| 05   | 0511048828 | HYDRAULIC CYLINDER               | 4        | 01 |
| 06   | 0501011301 | 1.1/2 UNC 6FPP 2.5/16 NUT        |          | 03 |
| 07   | 0521060319 | CHARGING BAR                     |          | 01 |
| 08   | 0521010555 | 1-1/2" X 5.5" COUPLING SHAFT     |          | 01 |
| 09   | 0501012916 | FLAT WASHER 38,50 X 66 X 4,75 ZN |          | 02 |
| 10   | 0503010073 | 3/8 X 3-1/2 COTTERPIN            |          | 04 |
| 11   | 0503010002 | 1800 GREASE FITTING              |          | 07 |
| 12   | 0521064328 | PLOUGH SUPPORT                   |          | 01 |
| 13   | 0503010010 | 1/4" X 2.1/2" COTTERPIN          |          | 03 |
| 14   | 0521062101 | PIVOT SHAFT                      |          | 01 |
| 15   | 0521012828 | 1.5" X 6.8" PIVOT SHAFT          |          | 01 |
| 16   | 0521060235 | CROSSPIECE                       |          | 01 |
| 17   | 0551012215 | FLAT WASHER                      |          | 02 |
| 18   | 0521010596 | COUPLING SHAFT                   |          | 02 |
| 19   | 0503031035 | HAIR PIN                         |          | 03 |
| 20   | 0521060304 | PLOUGH SUPPORT FRONT             |          | 01 |
| 21   | 0501011075 | PIN                              |          | 02 |
| 22   | 0503030012 | HAIR PIN                         |          | 02 |
| 23   | 0521010579 | COUPLING SHAFT                   |          | 01 |
| 24   | 0521040658 | ADJUSTMENT BAR                   |          | 01 |
| 24A  | 1902012380 | 3P ADJUSTMENT BAR GUIDES         |          | 01 |
| 24B  | 0511065014 | ADJUSTMENT BAR                   |          | 01 |
| 24C  | 0521010575 | C0.9" X 3.3" COUPLING SHAFT      |          | 01 |
| 25   | 0511048829 | HYDRAULIC CYLINDER               | 3        | 01 |
| 26   | 0511061810 | HYDRAULIC CYLINDER FIXING FLANGE |          | 02 |
| 27   | 0521062127 | PIVOT SHAFT                      |          | 01 |
| 28   | 0503010060 | 1/2" NUT                         |          | 04 |



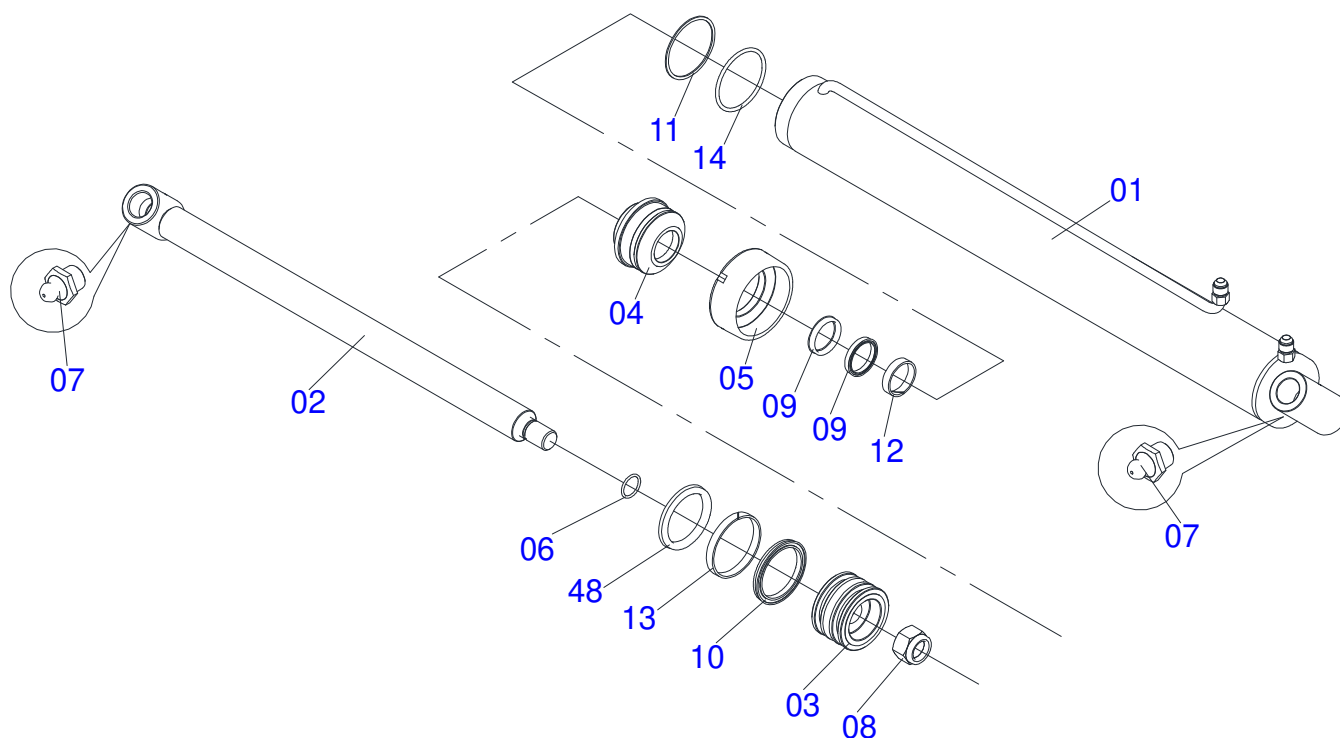
| Item | Code       | Description               | See page | QT |
|------|------------|---------------------------|----------|----|
| 29   | 0503010920 | 1/2" X 1.1/2" BOLT        |          | 04 |
| 30   | 0503010019 | 1/2" SPRING WASHER        |          | 04 |
| 31   | 0511019685 | FLAT WASHER               |          | 02 |
| 32   | 0521063228 | COUPLING SHAFT            |          | 02 |
| 33   | 0521060317 | U COUPLING FOR CROSSPIECE |          | 01 |
| 34   | 0503010035 | 9/16" CONIC NUT           |          | 12 |
| 35   | 0503010257 | 1/8" X 1" COTTERPIN       |          | 01 |
| 36   | 0503010006 | 32210 ROLLER BEARING      |          | 02 |
| 37   | 0503011468 | WEEL                      |          | 02 |
| 38   | 0503010858 | CANVAS TIRE               |          | 02 |
| 39   | 0503010860 | CAMARA AR 11L 15          |          | 02 |
| 40   | 0502020591 | PROTECCION COVER          |          | 02 |
| 41   | 0503010358 | 5/16" X 5/8" BOLT         |          | 08 |
| 42   | 0503010179 | 5/16" ZN SPRING WASHER    |          | 08 |
| 43   | 0501110728 | WHEEL HUB                 |          | 02 |
| 44   | 0503012928 | SEAL                      |          | 02 |
| 45   | 0501010127 | 9/16" X 1-7/8" LUG BOLT   |          | 12 |
| 46   | 0503010037 | 30207 ROLLER BEARING      |          | 01 |
| 47   | 0501069721 | U COUPLING FOR CROSSPIECE |          | 01 |
| 48   | 0501064475 | 1-1/4" HOOK               |          | 01 |
| 49   | 0511058407 | HYDRAULIC CYLINDER        |          | 01 |
| 50   | 0511058445 | HYDRAULIC CYLINDER        |          | 01 |



| Item | Code       | Description                           | See page | QT |
|------|------------|---------------------------------------|----------|----|
| 01   | 0501053834 | MALE QUICK COUPLER WITH CAP - 1/2 NPT |          | 04 |
| 02   | 0501081417 | 3/8 X 2500 TC- TM HOSE                |          | 02 |
| 03   | 0501080097 | HOSE 1/2 X 2500 TC-TM                 |          | 02 |
| 04   | 0503016854 | VALVE ASSY                            |          | 01 |
| 05   | 0503013467 | 2123 29,82X2,62 O'RING                |          | 01 |
| 06   | 0571014683 | NIPLE                                 |          | 01 |
| 07   | 0571014684 | FIXER ADAPTER                         |          | 01 |
| 08   | 0511058407 | HYDRAULIC CYLINDER                    |          | 01 |
| 09   | 0511058445 | HYDRAULIC CYLINDER                    |          | 01 |



| Item | Code       | Description             | See page | QT |
|------|------------|-------------------------|----------|----|
| 01   | 0502010843 | 1.8" X 3.4" PISTON      |          | 01 |
| 02   | 0502010781 | RING SUPPORT            |          | 01 |
| 03   | 0502010993 | DETACHABLE COVER        |          | 01 |
| 04   | 0521061771 | CYLINDER CASE           |          | 01 |
| 05   | 0521061770 | 44,45 X 517 ROD         |          | 01 |
| 06   | 0503010761 | D-1750 SCRAPER RING     |          | 01 |
| 07   | 0521061770 | 44,45 X 517 ROD         |          | 01 |
| 08   | 0503010949 | W2-2000-500 PK RING G.E |          | 01 |
| 09   | 0503010976 | 2-336 N 3006-9B O'RING  |          | 01 |
| 10   | 0503011060 | 8-336 BACK-UP RING      |          | 01 |
| 11   | 0503010170 | PACKING 3120 2750       |          | 01 |
| 12   | 0503010948 | W4-3346-590 PK RING G.E |          | 01 |
| 13   | 0503010063 | 1" SELF-ALIGNING NUT    |          | 01 |
| 14   | 0503010042 | 2-214 N 3006-9B O'RING  |          | 01 |
| 15   | 0503030385 | CYLINDER PLUG N-002     |          | 02 |



| Item | Code       | Description                | See page | QT |
|------|------------|----------------------------|----------|----|
| 01   | 0521061768 | 101,6 X 1056 CYLINDER CASE |          | 01 |
| 02   | 0521061769 | 50,8 X 1088 ROD            |          | 01 |
| 03   | 0502010992 | 2.0" X 4.0" PISTON         |          | 01 |
| 04   | 0502010778 | 2" X 4.2" RING SUPPORT     |          | 01 |
| 05   | 0502010017 | 4" HEAD                    |          | 01 |
| 06   | 0503010345 | 2-218 N 3006-9B O'RING     |          | 01 |
| 07   | 0503010002 | 1800 GREASE FITTING        |          | 02 |
| 08   | 0503010817 | 1.1/4" SELF LOCKING NUT    |          | 01 |
| 09   | 0503010991 | 1870-2000-375-B GASKET     |          | 02 |
| 10   | 0503010043 | PACKING 3750-3250          |          | 02 |
| 11   | 0503011061 | 8-342 BACK-UP RING         |          | 01 |
| 12   | 0503010952 | W2-2250-500 RING           |          | 01 |
| 13   | 0503010994 | W2-4000-500 PK RING G.E    |          | 01 |
| 14   | 0503010338 | 2-342 N 3006-9B O'RING     |          | 01 |







[www.marchesan.com.br](http://www.marchesan.com.br)



**Technical Publications | Elaboration and Revision**  
MARINA PEREZ NIZA