

ROTARY CUTTERS

RC2E 4500 CUTRALE

Code: 0501091545
Series: S-0111
Revision: 00
Date Revision: MARÇO/2023

PARTS CATALOGUE



MARCHESAN



PRODUCTS

Code	Description	
0104070024	RC2/E 4500	S-0111

ATTENTION: IMPORTANT

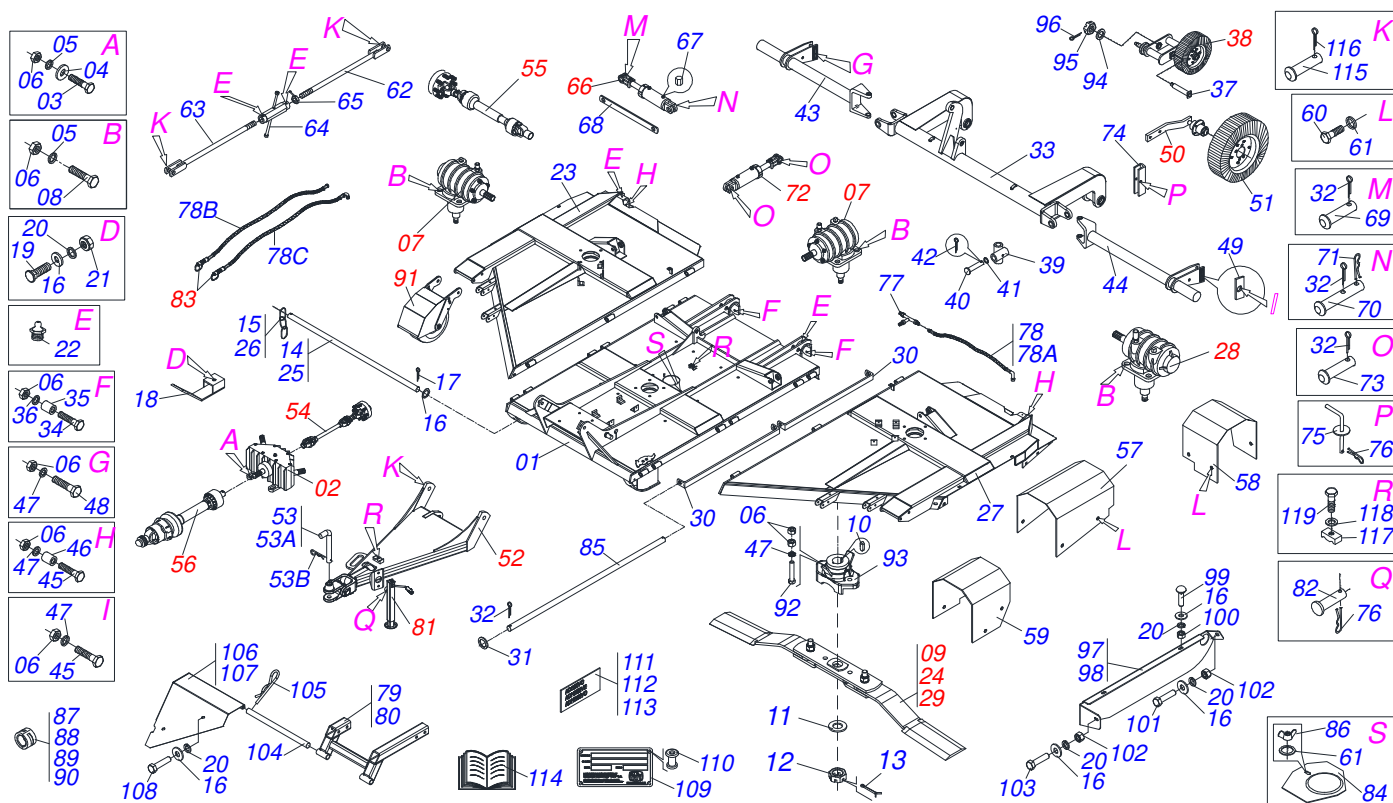
Marchesan S.A. reserves the right to improve and/or modify the technical features of its products, without obligation to do the same with those products already sold and without prior knowledge of the dealer or the customer. The photos are only illustrative.



MARCHESAN

INDEX

0909090843	ASSY FRAME	1
0501044074	TRIPLE DISTRIBUTOR	2
0501046948	MULTIPLIER	3
0501056333	CENTER ROTARY SUPPORT 540	4
0501056334	RIGHT SUPPORT ROTARY CUTTER BLADES	5
0501046978	SPEED MULTIPLIER	6
0501056335	LEFT ROTARY SUPPORT 340	7
0511048941	ARM ASSY	8
0501054971	SIDE WHEEL WITHOUT TIRE	9
0501053006	HEAD WITH TRACTOR HITCH	10
0501049130	DRIVE SHAFT	11
0501047953	90 KGM FRICTION	12
0501049131	DRIVE SHAFT	13
0501049129	DRIVE SHAFT	14
0511041449	1.7" X 3.4" X 20" HYDRAULIC CYLINDER	15
0501048464	1.7" X 3.4" X 21" X 7" HYDRAULIC CYLINDER	16
0503062157	DRAWBAR JACK	17
0501053834	MALE QUICK COUPLER	18
0511048551	RIGHT FRONT WHEEL WITH FULL PROTECTION	19
0511048535	FRONT WHEEL WITH COMPLETE PROTECTION	20



Item	Code	Description	See page	QT
001	0521064817	CENTRAL REINFORCING PLATE FRAME		01
002	0501044074	TRIPE DISTRIBUTOR	2	01
003	0501010125	3/4" X 2-1/2" BOLT		04
004	0501010322	FLAT WASHER		04
005	0503010023	3/4" SPRING WASHER		22
006	0503010014	3/4" HEX NUT		28
007	0501046948	MULTIPLIER	3	02
008	0503013185	3/4" X 5-1/2" BOLT		12
009	0501056333	CENTER ROTARY SUPPORT 540	4	01
010	0501010536	KEYWAY SQUARE		03
011	0501017779	32 X 60 X 4.75 FLAT WASHER		03
012	0503011052	1.1/4" X 0.77" CASTLE NUT		03
013	0503010067	3/16" X 2.1/2" COTTER PIN		03
014	0511012252	63" ROD OF THE CHAIN		01
015	0511013029	8,00 CHAIN 3 LINK		108
016	0511017302	FLAT WASHER 13,50 X 32,50 X 3,0 ZN		10
017	0503010300	5/32" X 1" COTTERPIN		06
018	0511063680	SKATE GUIDES SUPPORT		02
019	0503012956	1/2" X 1-1/2" BOLT		04
020	0503010019	1/2" SPRING WASHER		04
021	0503010020	1/2"NUT		04
022	0503010002	1800 GREASE FITTING		04
023	0511062807	RIGHT SIDE FRAME		01
024	0501056334	RIGHT SUPPORT ROTARY CUTTER BLADES	5	01
025	0511012253	71.2" ROD OF THE CHAIN		02
026	0511013029	8,00 CHAIN 3 LINK		30
027	0521065018	LEFT SIDE FRAME		01
028	0501046978	SPEED MULTIPLIER	6	01
029	0501056335	LEFT ROTARY SUPPORT 340	7	01
030	0531018343	SIDE FRAME PROTECTION		04
031	0501011445	FLAT WASHER		04

ASSY FRAME

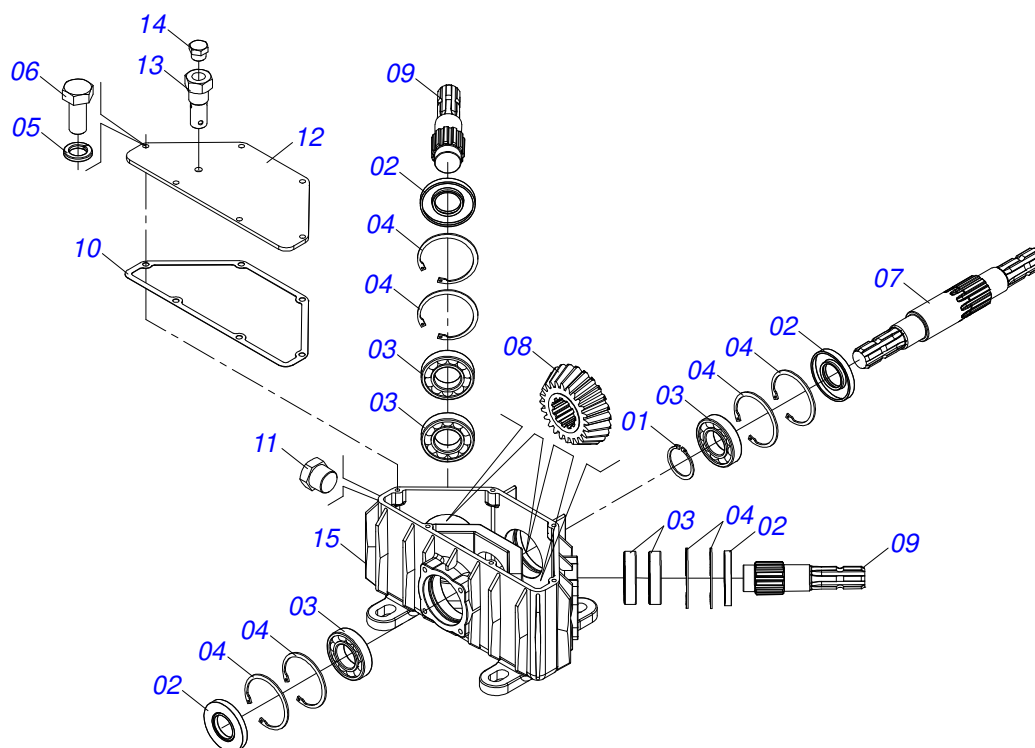
Item	Code	Description	See page	QT
032	0503010571	1/4" X 1.1/2 COTTERPIN		04
033	0521061862	CENTRAL CARRYING WHEELS		01
034	0503011198	C3/4" X 6" SCREW		02
035	0511017147	0.8" X 1.2" X 4.1" BUSHING		02
036	0503010023	3/4" SPRING WASHER		02
037	0521061864	ROCKER ARM PIVOT SHAFT		02
038	0511048941	ARM ASSY	8	02
039	0502012885	CROSS HEAD		01
040	0521018993	CROSSPIECE COUPLING SHAFT		04
041	0521010907	FLAT WASHER		08
042	0503010523	1/4" X 2" COTTERPIN		04
043	0511064927	RIGHT SIDE CARRYING WHEELS SUPPORT		01
044	0511064928	LEFT SIDE CARRYING WHEELS SUPPORT		01
045	0503013185	3/4" X 5-1/2" BOLT		04
046	0511015929	0.8" X 1.2" X 3.6" BUSHING		02
047	0503010023	3/4" SPRING WASHER		06
048	0503012334	3/4" UNC X 3.1/2" BOLT		02
049	0502012231	SQUARE WASHER		04
050	0501054971	SIDE WHEEL WITHOUT TIRE	9	02
051	0501043559	SEGMENTED WHEEL 525		02
052	0501053006	HEAD WITH TRACTOR HITCH	10	01
053	0501040343	DRAWBOLT ASSY		01
053A	0521010453	AXI SHAFT		01
053B	0503031035	HITCH PIN CLIP		01
054	0501049130	DRIVE SHAFT	11	01
055	0501049131	DRIVE SHAFT	13	02
056	0501049129	DRIVE SHAFT	14	01
057	0571015952	CENTRAL PROTECTION COVER		01
058	0531018035	COVER OF RIGHT PROTECTION		01
059	0531018036	COVER OF LEFT PROTECTION		01
060	0503010256	3/8" X 3/4" BOLT		12
061	0501010984	10,50 X 27 X 3,00 FLAT WASHER		13
062	0521064851	ROD STABILIZER		01
063	0521064850	ROD STABILIZER		01
064	0521064756	ADJUSTING NUT		01
065	0501064974	LOCKNUT WITH HANDLER		01
066	0511041449	1.7" X 3.4" X 20" HYDRAULIC CYLINDER	15	02
067	0511017628	BREATHING HOLE OF THE CYLINDER HIDR		03
068	0511011755	LATERAL TRANSPORT LOCK		02
069	0521010585	0.9" X 5.9" COUPLING SHAFT		02
070	0521010586	0.9" X 6.1" COUPLING SHAFT WITH 2 H		02
071	0503030012	HITCH PIN CLIP		02
072	0501048464	1.7" X 3.4" X 21" X 7" HYDRAULIC CYLINDER	16	01
073	0521010575	C0.9" X 3.3" COUPLING SHAFT		02
074	0521014258	LOCK BOLT		01
075	0501068994	8,30 X 78 LOCK PIN		01
076	0503030168	HITCH PIN CLIP		02
077	0501072676	OIL DISTRIBUTOR BODY		01
078	0511058289	HOSE SET - RC2 4500 EXP		01
078A	0501080396	3/8" X 45" HOSE		02
078B	0501080405	3/8" X 169" TR-TM HOSE		01
078C	0501080362	3/8" X 177" TC-TM HOSE		01
079	0521061579	FIXER LEFT COVER PROTECTION		01
080	0521061578	FIXER COVER RIGHT PROTECTION		01
081	0503062157	DRAWBAR JACK	17	01
082	0521010549	COUPLING SHAFT		01
083	0501053834	MALE QUICK COUPLER	18	01
084	0511010421	COVER CENTRAL BASE		01
085	0511017535	ROD		02



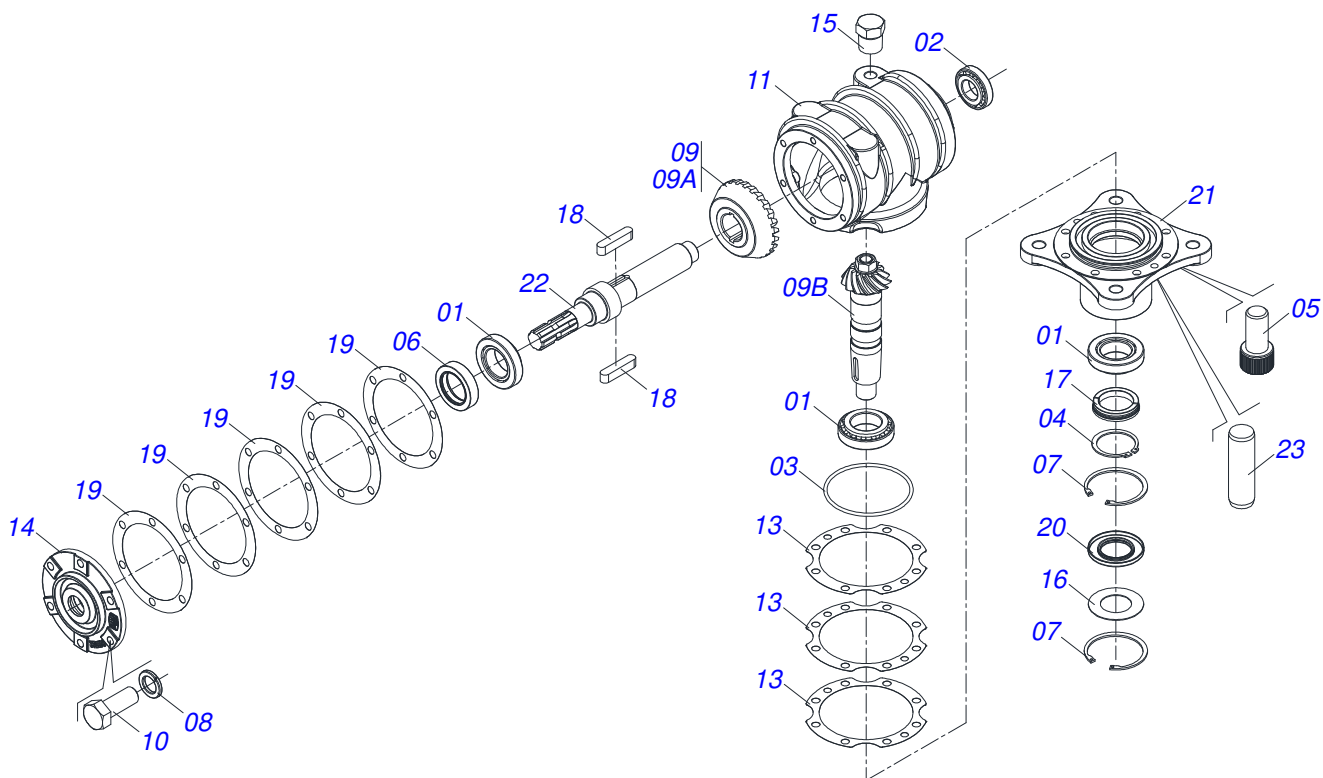
ASSY FRAME

0909090843

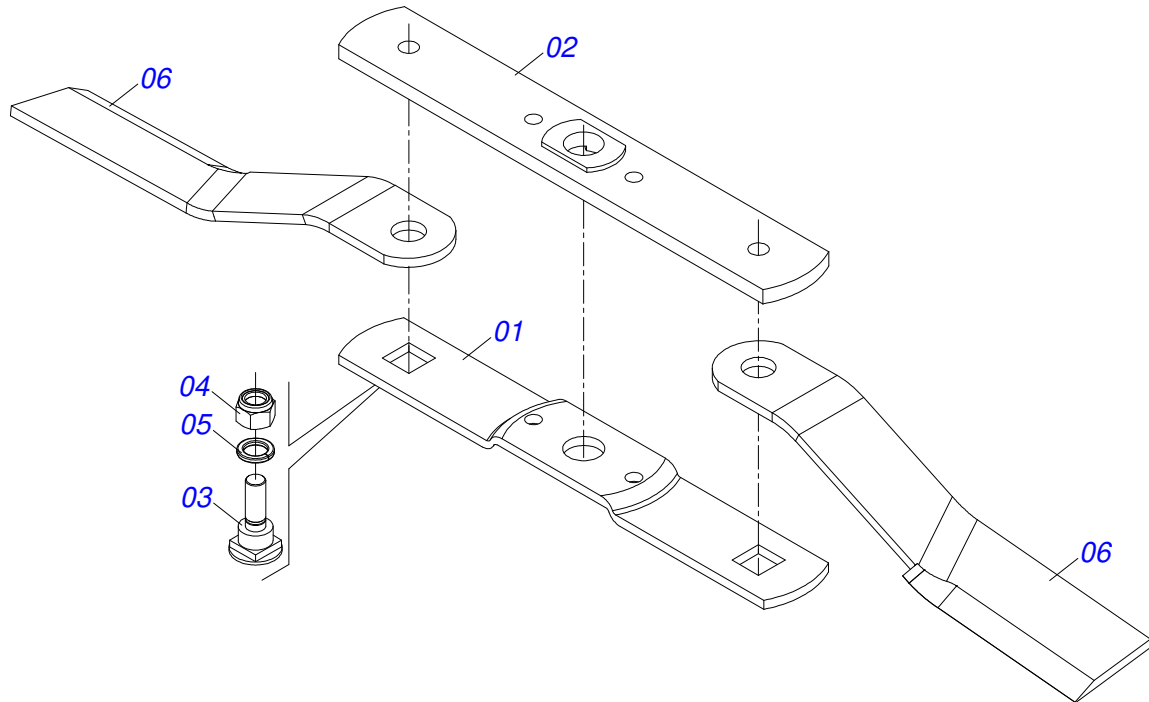
Item	Code	Description	See page	QT
086	0503010209	3/8" UNC BUTTERFLY NUT		01
087	0501047895	25 ROD STOP		01
088	0501047885	30 ROD STOP		01
089	0501047888	45 ROD STOP		01
090	0501047889	1.96" ROD STOP		01
091	0511048535	FRONT WHEEL WITH COMPLETE PROTECTION	20	01
091.	0511048551	RIGHT FRONT WHEEL WITH FULL PROTECTION	19	01
092	0503011328	3/4" X 4" BOLT		06
093	0502012453	SUPPORT FLANGE		03
094	0501010623	FLAT WASHER		02
095	0503030009	1" CASTLE NUT		02
096	0503010010	1/4" X 2.1/2" COTTERPIN		02
097	0561016173	RIGHT SIDE PROTECTION		01
098	0561016175	PROTECAO LATERAL ESQUERDA		01
099	0501011600	1/2" X 1-1/4" BOLT		06
100	0503012682	1/2" BSW NUT		06
101	0503010752	1/2" X 3.1/2" BOLT		02
102	0503010060	1/2 UNC G.5 ZN HEX NUT		02
103	0503010752	1/2" X 3.1/2" BOLT		08
104	0561016176	TUBE LOCKING PROTECTIVE COVER FRONT		02
105	0503030168	HITCH PIN CLIP		02
106	0521061576	RIGHT FRONT PROTECTION COVER		01
107	0521061577	RIGHT FRONT PROTECTION COVER		01
108	0503010920	1/2 UNC X 1.1/2 C S G.5 ZN BOLT		04
109	0503034003	SERIAL NUMBER TAG 61 X 118		01
110	0503010001	3.2 X 5.5 RIVET		04
111	0503032060	ADHESIVE LABEL		02
112	0503060899	SET LABEL ADHESIVE		01
113	0503032949	ADHESIVE LABEL		01
114	0501090632	INSTRUCTION MANUAL		01
115	0521010572	0.9" X 2.9" COUPLING SHAFT		02
116	0503010571	1/4" X 1.1/2 COTTERPIN		02
117	0502010477	HOSE CLAMP		03
118	0503010025	3/8 SPRING WASHER		03
119	0503010751	C3/8" X 1.1/4" HEX BOLT G.5		03



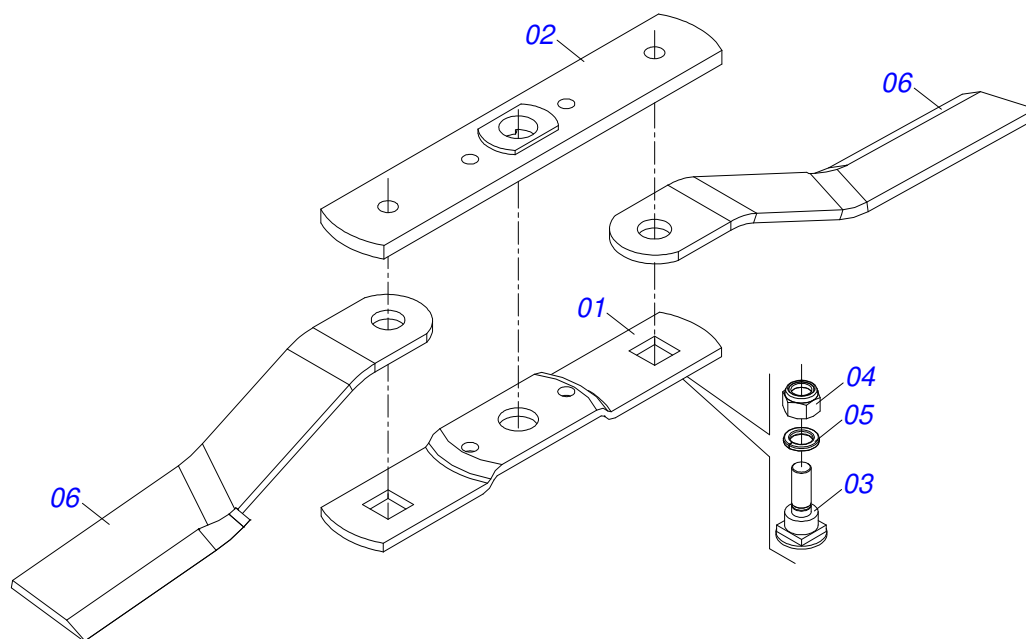
Item	Code	Description	See page	QT
01	0503010372	501050 CLAMPING RING (FOR AXLE)		01
02	0503010818	02675-BRG SEAL		04
03	0503011095	6208 BALL BEARING		06
04	0503011100	502080 CLAMPING RING (FOR AXLE)		08
05	0503011444	SPRING WASHER		06
06	0503010240	BOLT		06
07	0503030631	CENTRAL AXLE		01
08	0503030632	24Z CONICAL GEAR		03
09	0503030633	SIDE AXLE		02
10	0503030656	13.9" X 6.1" X 0.03" JOINT		01
11	0503010856	OIL PLUG		01
12	0511011206	BOX COVER		01
13	0511013020	1.49" BREATHING HOLE		01
14	0511017907	1/8" BSPT X 6 PLUG		01
15	0502010861	DISTRIBUTOR BOX		01
16	3402301247	MINERAL OIL GREASE		02Lts



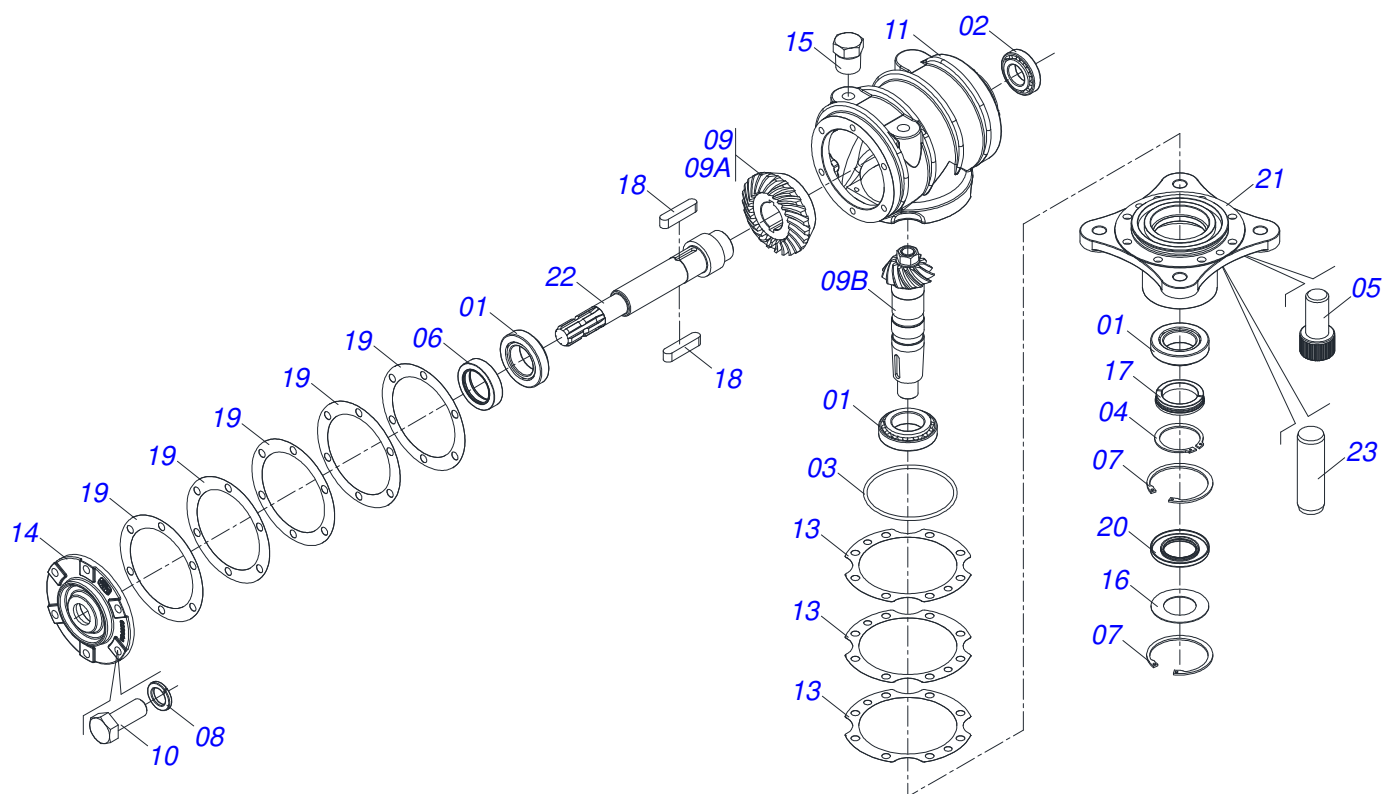
Item	Code	Description	See page	QT
01	0503010006	32210 ROLLER BEARING		03
02	0503010037	30207 ROLLER BEARING		01
03	0503010286	2-355 N 3006-9B O'RING		01
04	0503010396	501060 CLAMPING RING (FOR AXLE)		01
05	0503010562	1/2" X 1" BOLT		08
06	0503011171	00912-BRG SEAL		01
07	0503011190	SEAL RING		02
08	0503011440	SPRING WASHER		06
09	0503060211	CROWN PINION SET		01
09A	0503050069	25Z CONICAL GEAR		01
09B	0503061048	PINION		01
10	0503010395	1/2" X 1-1/4" BOLT		06
11	0502010984	LEFT MULTIPLIER BOX		01
12	3402301247	MINERAL OIL GREASE		2,5Lts
13	0503030785	7.9" X 5.9" X 0.008" JOINT		03
14	0502011152	SMALLER COVER		01
15	0503031604	1/2" BSP PLUG		01
16	0521018064	FLAT WASHER		01
17	0511010142	LOCK RING		01
18	0501010536	KEYWAY SQUARE		02
19	0503030783	7.1" X 5.3" X 0.008" JOINT		05
20	0503011047	5089 SEAL		01
21	0502011393	LOWER HUB		01
22	0503050067	UPPER AXLE		01
23	0503017877	PIN GUIDE		02



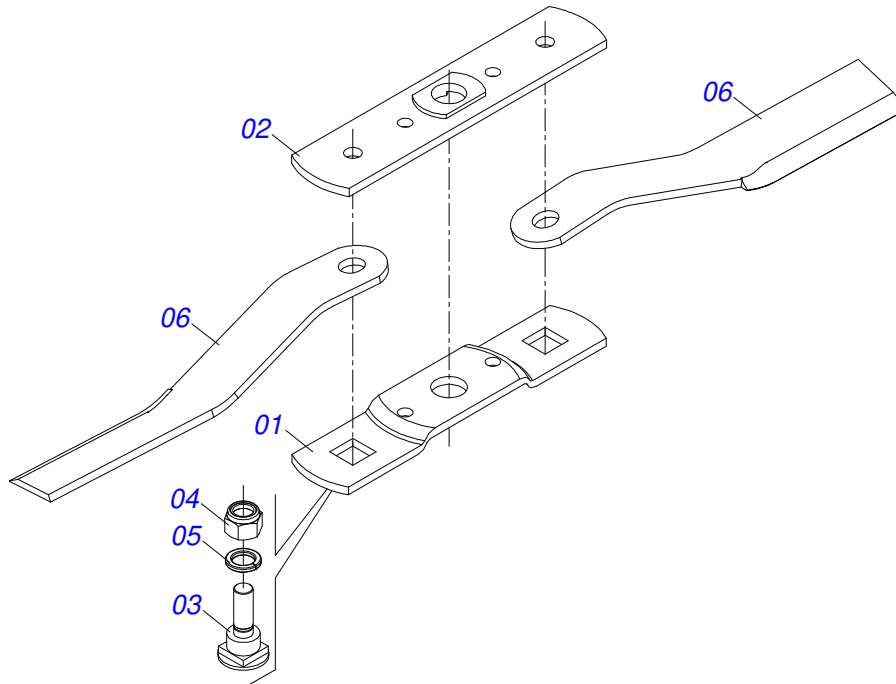
Item	Code	Description	See page	QT
01	0561017369	ROTARY LOWER SUPPORT LOWER		01
02	0561017307	SUPPORT UPPER BASE		01
03	0511019000	BOLT		02
04	0503010812	7/8" UNF SELF LOCKING NUT		02
05	0503011447	SPRING WASHER		02
06	0622400056	24"X4"X0,5" LEFT ROTARY CUT BLADES		02



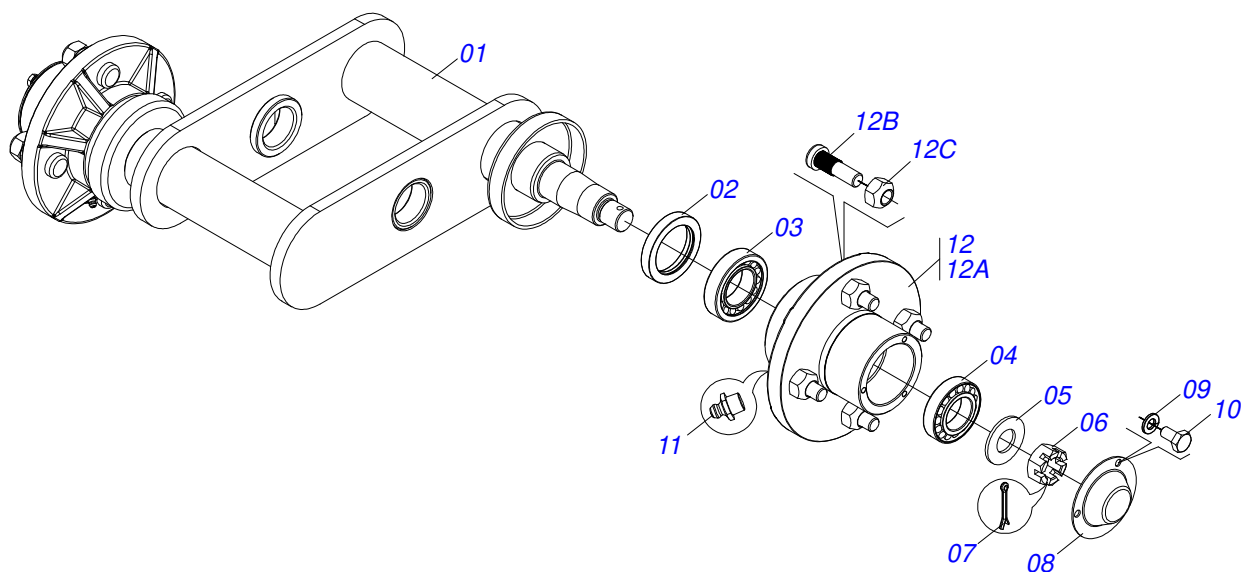
Item	Code	Description	See page	QT
01	0561017368	ROTARY LOWER SUPPORT		01
02	0561017308	SUPPORT UPPER BASE		01
03	0511019000	BOLT		02
04	0503010812	7/8" UNF SELF LOCKING NUT		02
05	0503011447	SPRING WASHER		02
06	0622400055	RH 24"X4"X0,5" ROTARY CUTTER BLADES		02



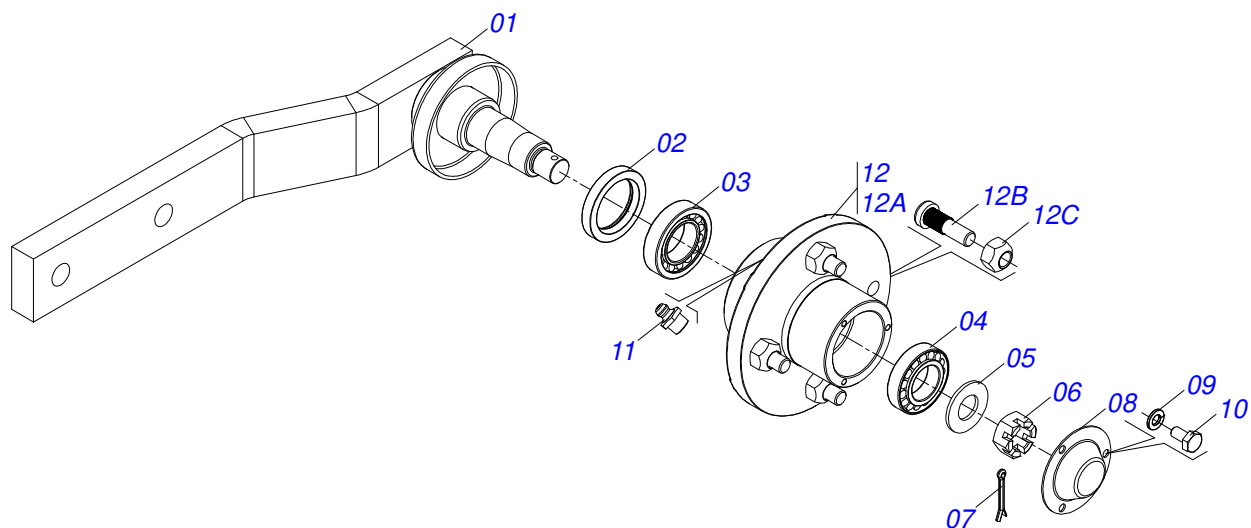
Item	Code	Description	See page	QT
01	0503010006	32210 ROLLER BEARING		03
02	0503010037	30207 ROLLER BEARING		01
03	0503010286	2-355 N 3006-9B O'RING		01
04	0503010396	501060 CLAMPING RING (FOR AXLE)		01
05	0503010562	1/2" X 1" BOLT		08
06	0503011171	00912-BRG SEAL		01
07	0503011190	SEAL RING		02
08	0503011440	SPRING WASHER		06
09	0503060211	CROWN PINION SET		01
09A	0503050069	25Z CONICAL GEAR		01
09B	0503061048	PINION		01
10	0503010395	1/2" X 1-1/4" BOLT		06
11	0502010983	RIGHT MULTIPLIER BOX		01
12	3402301247	MINERAL OIL GREASE		2,5Lts
13	0503030785	7.9" X 5.9" X 0.008" JOINT		03
14	0502010986	SMALLER COVER		01
15	0503031604	1/2" BSP PLUG		02
16	0521018064	FLAT WASHER		01
17	0511010142	LOCK RING		01
18	0501010536	KEYWAY SQUARE		02
19	0503030783	7.1" X 5.3" X 0.008" JOINT		05
20	0503011047	5089 SEAL		01
21	0502011393	LOWER HUB		01
22	0503050068	UPPER AXLE		01
23	0503017877	PIN GUIDE		02



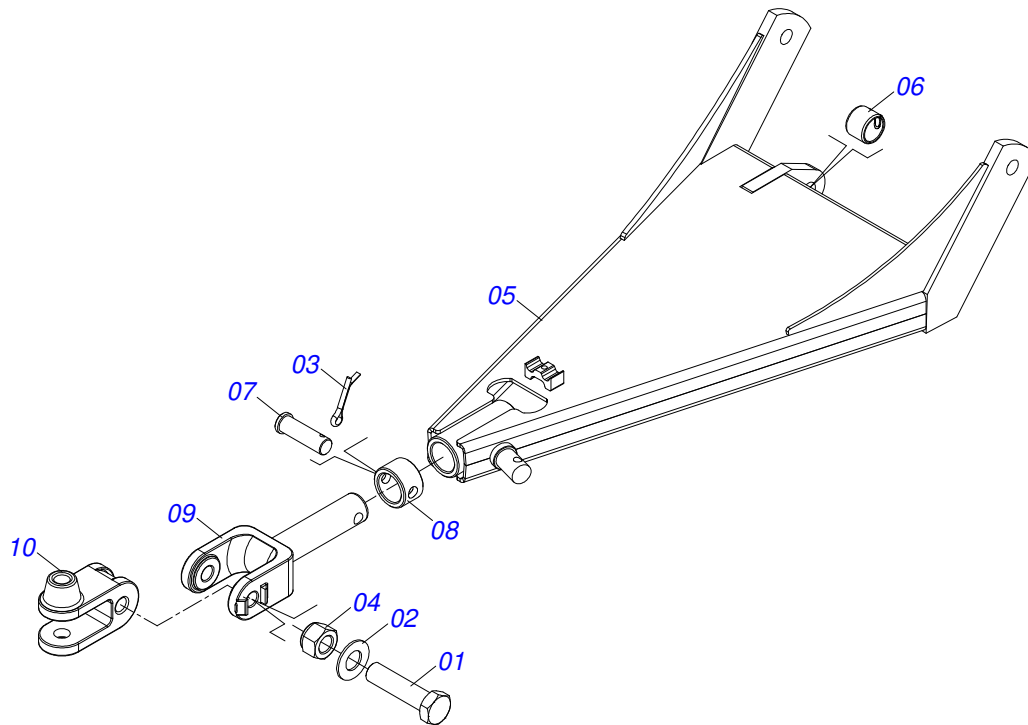
Item	Code	Description	See page	QT
01	0561017368	ROTARY LOWER SUPPORT		01
02	0561017308	SUPPORT UPPER BASE		01
03	0511019000	BOLT		02
04	0503010812	7/8" UNF SELF LOCKING NUT		02
05	0503011447	SPRING WASHER		02
06	0622400056	24"X4"X0,5" LEFT ROTARY CUT BLADES		02



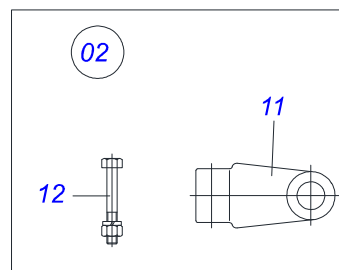
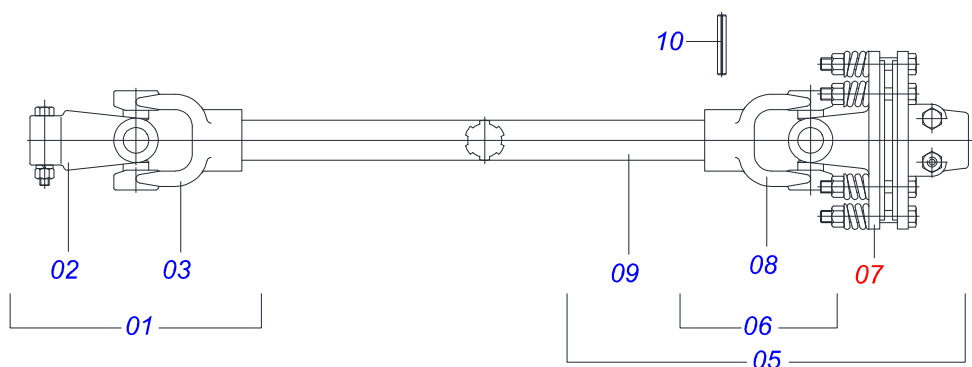
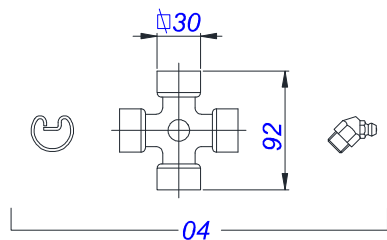
Item	Code	Description	See page
01	0521061863	REAR ROCKER ARM	01
02	0503010278	SEAL	02
03	0503010016	BEARING LM	02
04	0503010022	BEARING LM	02
05	0501010076	FLAT WASHER	02
06	0503030010	7/8" CASTLE NUT	02
07	0503010018	5/32 X 1-1/2 COTTERPIN	02
08	0521010388	PROTECTIVE COVER	02
09	0503011441	SPRING WASHER	06
10	0503013758	1/4" X 1-1/2" BOLT	06
11	0503010002	1800 GREASE FITTING	01
12	0501110746	CARRYING WHEEL HUB	02
12A	0502020605	CARRYING WHEEL HUB	01
12B	0501010127	9/16" X 1-7/8" LUG BOLT	04
12C	0503010035	9/16" CONIC NUT	04
13	1882970002	GREASE SOAP	0.001KI



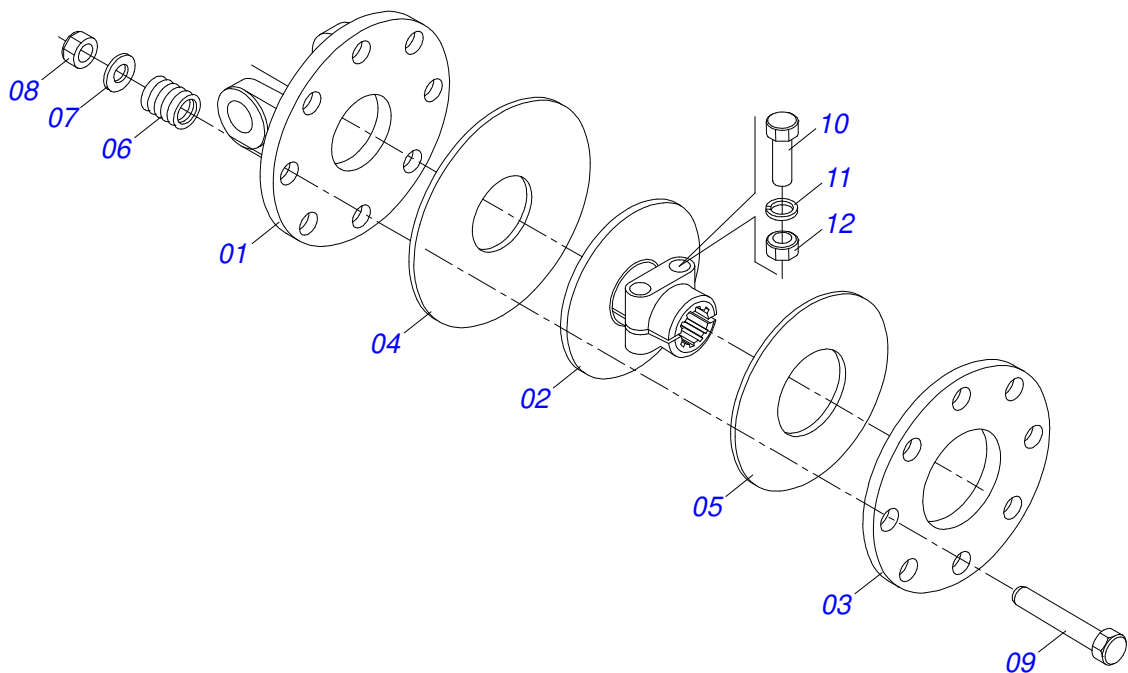
Item	Code	Description	See page
01	0511065148	AXLE SIDE CARRYING-WHEELS ARM	01
02	0503010278	SEAL	01
03	0503010016	BEARING LM	01
04	0503010022	BEARING LM	01
05	0501010076	FLAT WASHER	01
06	0503030010	7/8" CASTLE NUT	01
07	0503010018	5/32 X 1-1/2 COTTERPIN	01
08	0521010388	PROTECTIVE COVER	01
09	0503011441	SPRING WASHER	03
10	0503013758	1/4" X 1-1/2" BOLT	03
11	0503010002	1800 GREASE FITTING	01
12	0501110746	CARRYING WHEEL HUB	01
12A	0501010127	9/16" X 1-7/8" LUG BOLT	04
12B	0503010035	9/16" CONIC NUT	04
13	1882970002	GREASE SOAP	0.13Kg



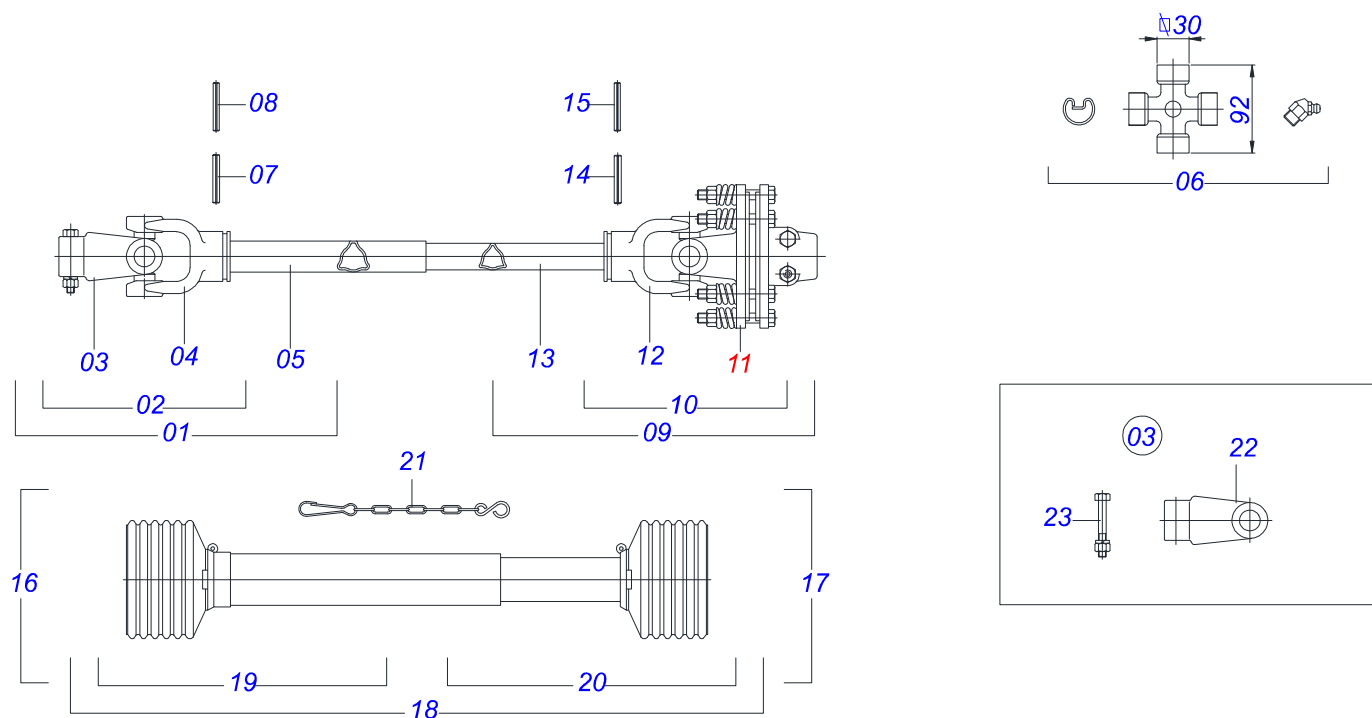
Item	Code	Description	See page	QT
01	0501010060	1" X 6-1/2" BOLT		01
02	0501810623	27 X 53 X 3.00 FLAT WASHER		01
03	0503010571	1/4" X 1.1/2 COTTERPIN		01
04	0503018754	1-8 UNC NUT		01
05	0511062049	DRAWBAR		01
06	0511019921	1.3" X 0.1" X 1" SLEEVE		01
07	0521010639	COUPLING SHAFT		01
08	0521010681	BUSHING COUPLING BODY		01
09	1902040923	ROTATING HITCH		01
10	1902040921	U HITCH TRACTOR		01



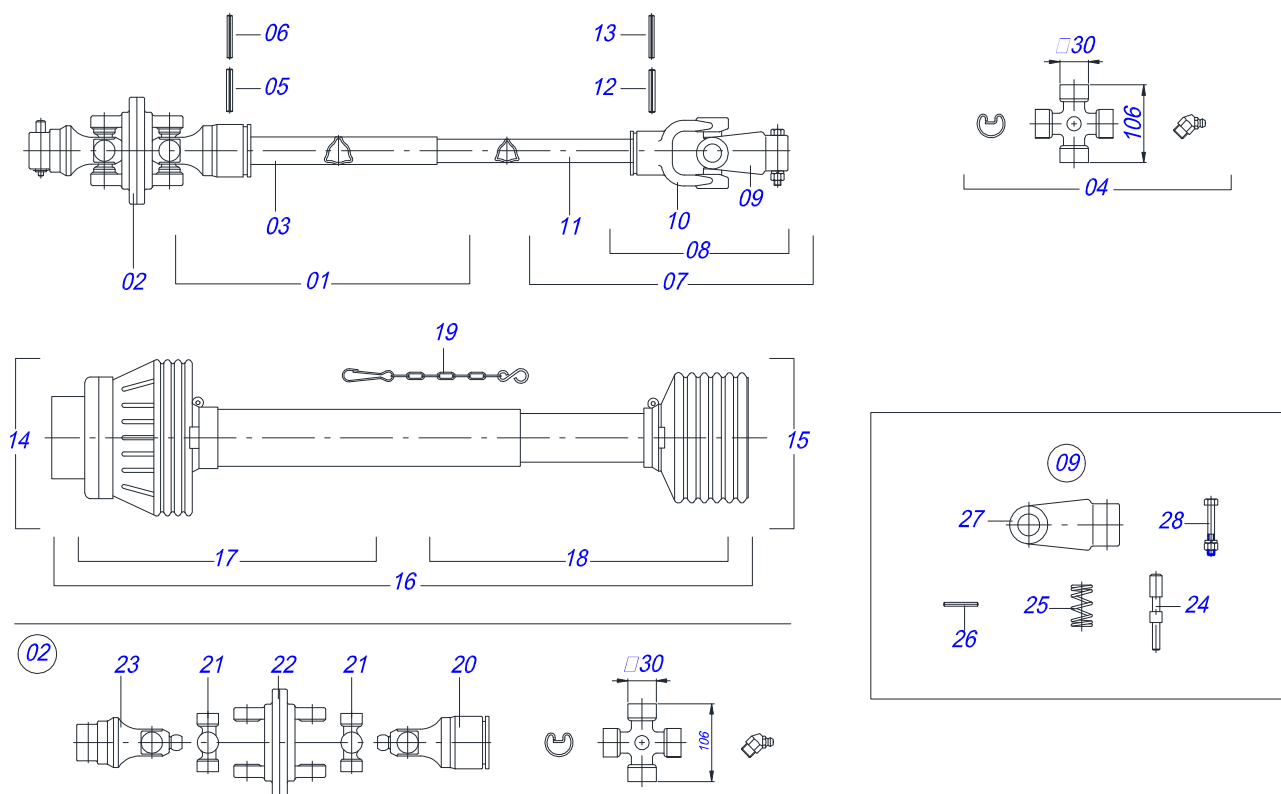
Item	Code	Description	See page	QT
01	0501052531	UNIVERSAL JOINT		01
02	0501052559	8-40 TERMINAL WITH SCREW		01
03	0503012611	T2-40E TERMINAL		01
04	0503012096	CROSSPIECE		02
05	0501052532	UNIVERSAL JOINT W/ CROSS/STR SHAFT		01
06	0501052533	UNIVERSAL JOINT WITH CROSSPIECE		01
07	0501047953	90 KGM FRICTION	12	01
08	0503012612	T2-40EF TERMINAL		01
09	0503012613	240 STRIATED AXLE		01
10	0503011877	0.3" X 2.4" SPRING PIN		01
11	0502011428	8-40 TERMINAL		01
12	0501047756	1/2" X 3" SET PARTS		01



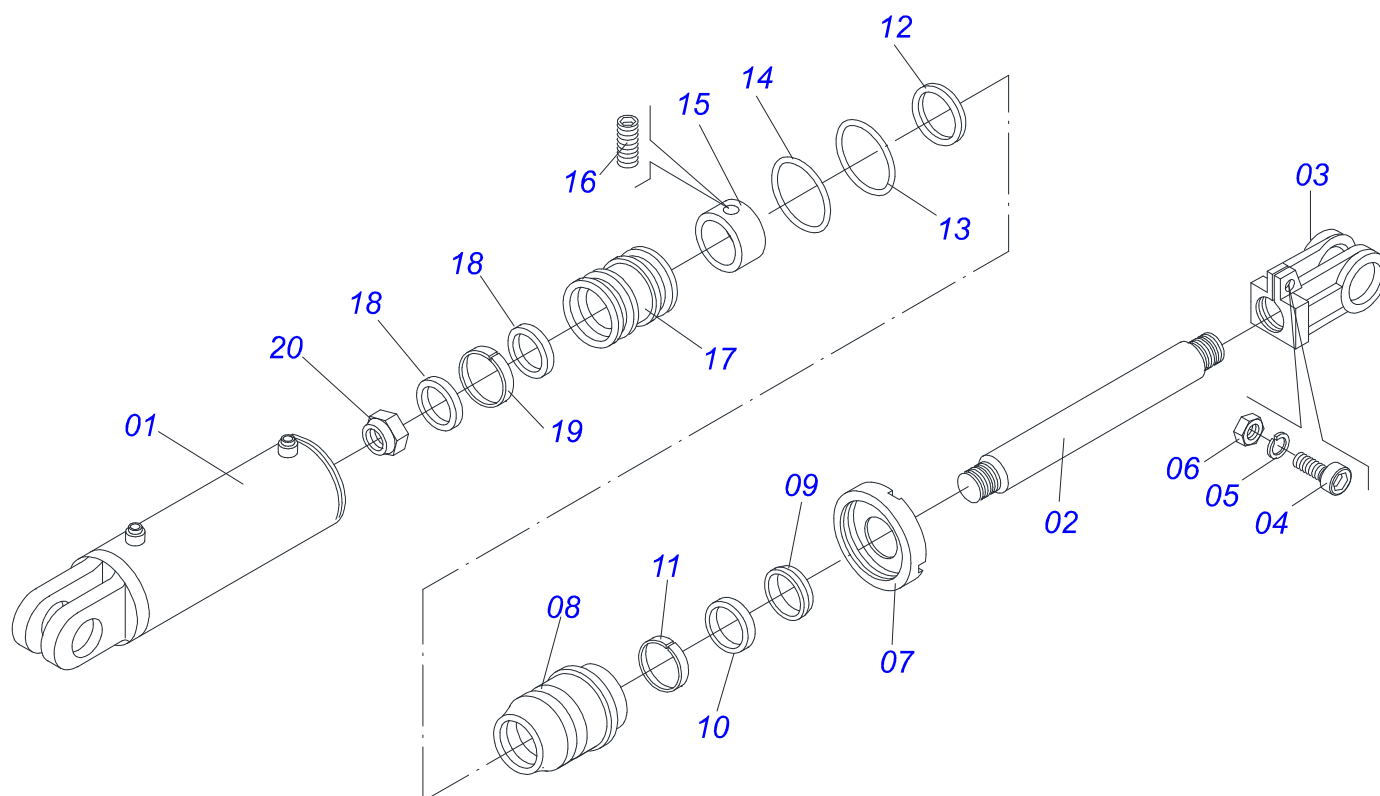
Item	Code	Description	See page	QT
01	0503012095	FRONT FLANGE		01
02	0503011869	CENTRAL FLANGE		01
03	0503011870	REAR FLANGE		01
04	0503031474	INNER FRICTION DISC		01
05	0503031478	OUTER FRICTION DISC		01
06	0503030630	1.02"X1.3"X0.2" COMPRESSION SPRING		08
07	0511017302	FLAT WASHER 13,50 X 32,50 X 3,0 ZN		08
08	0503011336	1/2" HEX SELF ADJUSTING NUT		08
09	0503010752	1/2" X 3.1/2" BOLT		08
10	0503010741	1/2" X 2-3/4" BOLT		02
11	0503010019	1/2" SPRING WASHER		02
12	0503010060	1/2 UNC G.5 ZN HEX NUT		02



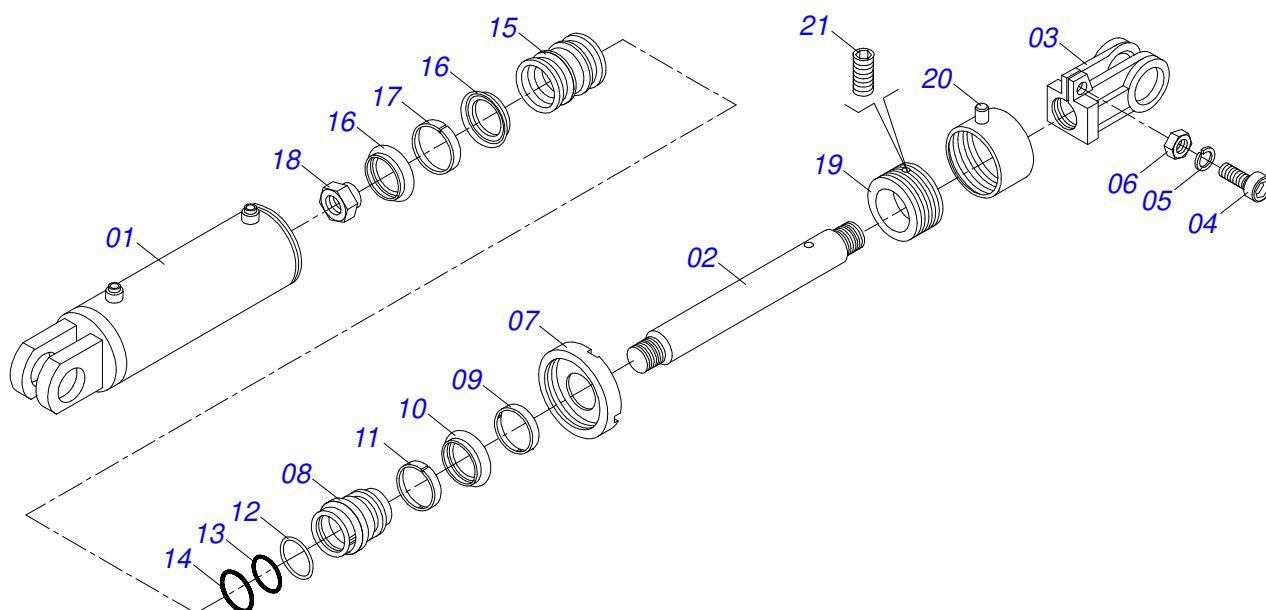
Item	Code	Description	See page	QT
01	0501052534	UNIVERSAL JOINT WITH SLEEVE		01
02	0501052535	UNIVERSAL JOINT		01
03	0501052559	8-40 TERMINAL WITH SCREW		01
04	0503012614	T2-40/CI251 TERMINAL		01
05	0503012615	2.1" X 2.0" X 38" TRIAN FEMALE		01
06	0503012096	CROSSPIECE		02
07	0503011069	0.4" X 2.8" SPRING PIN		01
08	0503010510	0.2" X 2.6" SPRING PIN		01
09	0501052536	UNIVERSAL JOINT WITH CROSS/SHAFT		01
10	0501052537	UNIVERSAL JOINT WITH CROSSPIECE		01
11	0501047953	90 KGM FRICTION	12	01
12	0503012616	T3-40/CI252 TERMINAL		01
13	0503012617	1.8" X 1.7" X 38" TRIAN MALE TU		01
14	0503010361	SPRING PIN		01
15	0503010756	0.2" X 2.4" SPRING PIN		01
16	0501052539	UNIVERSAL JOINT WITH SLEEVE/PROT		01
17	0501052540	UNIVERSAL JOINT WITH SHAFT/PROT		01
18	0503012098	PROTECTION ASSY		01
19	0503012099	PROTECTION FOR UNIV JOINT AND SLEEV		01
20	0503012100	PROTECTION FOR UNIV JOINT AND AXLE		01
21	0503012023	CHAIN FOR PROTECTION		02
22	0502011428	8-40 TERMINAL		01
23	0501047756	1/2" X 3" SET PARTS		01



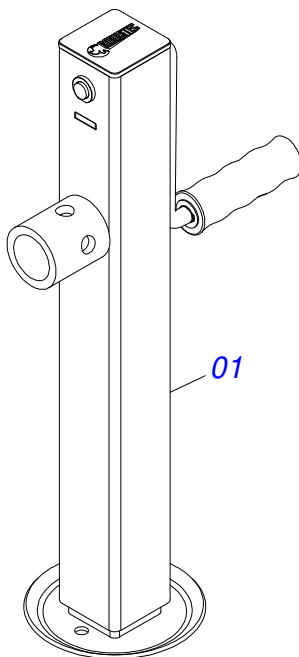
Item	Code	Description	See page	QT
01	0501052544	HOMO JOINT WITH FEMALE BUSHING		01
02	0501052518	HOMOCINETIC JOINT ASSY		01
03	0503012618	2.1" X 2.0" X 31" TRIAN FEMALE TUB		01
04	0503010837	CARDAN CROSSPIECE		01
05	0503010843	0.4" X 3.3" SPRING PIN		01
06	0503011878	0.2" X 3.3" SPRING PIN		01
07	0501052545	UNIVERSAL JOINT WITH CROSS/SHAFT		01
08	0501052546	UNIVERSAL JOINT		01
09	0501052516	T6-60 TERMINAL WITH SCREW		01
10	0503012600	T3-60/CI52 TERMINAL		01
11	0503012619	1.8" X 1.7" X 31" TRIAN MALE TUB		01
12	0503011069	0.4" X 2.8" SPRING PIN		01
13	0503011805	0.2" X 2.8" SPRING PIN		01
14	0501052548	HOMO JOINT WITH PROT FEMALE BUSHING		01
15	0501052549	UNIVERSAL JOINT WITH SHAFT/PROT		01
16	0503012620	PROTECTION ASSY		01
17	0503012621	PROTECTION FOR HOMO JOINT AND SLEEV		01
18	0503012076	PROTECTION FOR UNIV JOINT AND AXLE		01
19	0503012023	CHAIN FOR PROTECTION		01
20	0503012604	HOMO TERMINAL W/ FEMALE BUSHING		01
21	0503012605	CROSSPIECE		02
22	0503012606	CENTER BODY		01
23	0503012607	TRACTOR HOMOCINETIC TERMINAL		01
24	0503037375	PIN QUICK COUPLING		02
25	0503030518	0.5"X1.0"X 0.1" COMPRESSION SPRING		02
26	0503010838	0.1" X 0.8" SPRING PIN		02
27	0502010830	6-60 STRIATED 1.3/8" TERMINAL		01
28	0501047756	1/2" X 3" SET PARTS		02



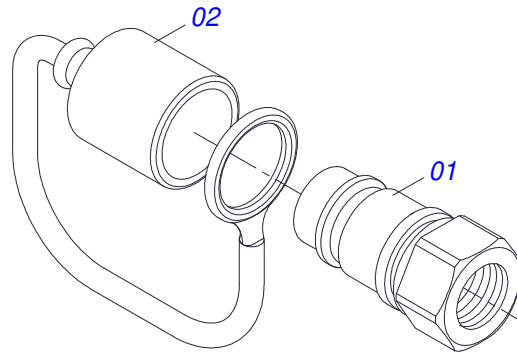
Item	Code	Description	See page
01	0501064255	2.4" X 8" CYLINDER CASE	01
02	0501018532	1.7" X 15.6" TURNBUCLE	01
03	0502040493	CLEVIS 26,50 R41	01
04	0503011094	3/8" X 2" BOLT	01
05	0503010025	3/8 SPRING WASHER	01
06	0503010026	3/8" NUT	01
07	0502010993	DETACHABLE COVER	01
08	0502010781	RING SUPPORT	01
09	0503010761	D-1750 SCRAPER RING	01
10	0503010990	GASKET	01
11	0503010949	W2-2000-500 PK RING G.E	01
12	0503011060	8-336 BACK-UP RING	01
13	0503010976	2-336 N 3006-9B O'RING	01
14	0503010042	2-214 N 3006-9B O'RING	01
15	0531018316	1.8"X 3"X 0.9" SLEEVE	01
16	0503011148	3/8" X 1/2" BOLT	01
17	0502010843	1.8" X 3.4" PISTON	01
18	0503010170	PACKING 3120 2750	02
19	0503010948	W4-3346-590 PK RING G.E	01
20	0503010063	1" SELF-ALIGNING NUT	01
21	0501031796	HYDRAULIC CYLINDER REPAIR KIT	



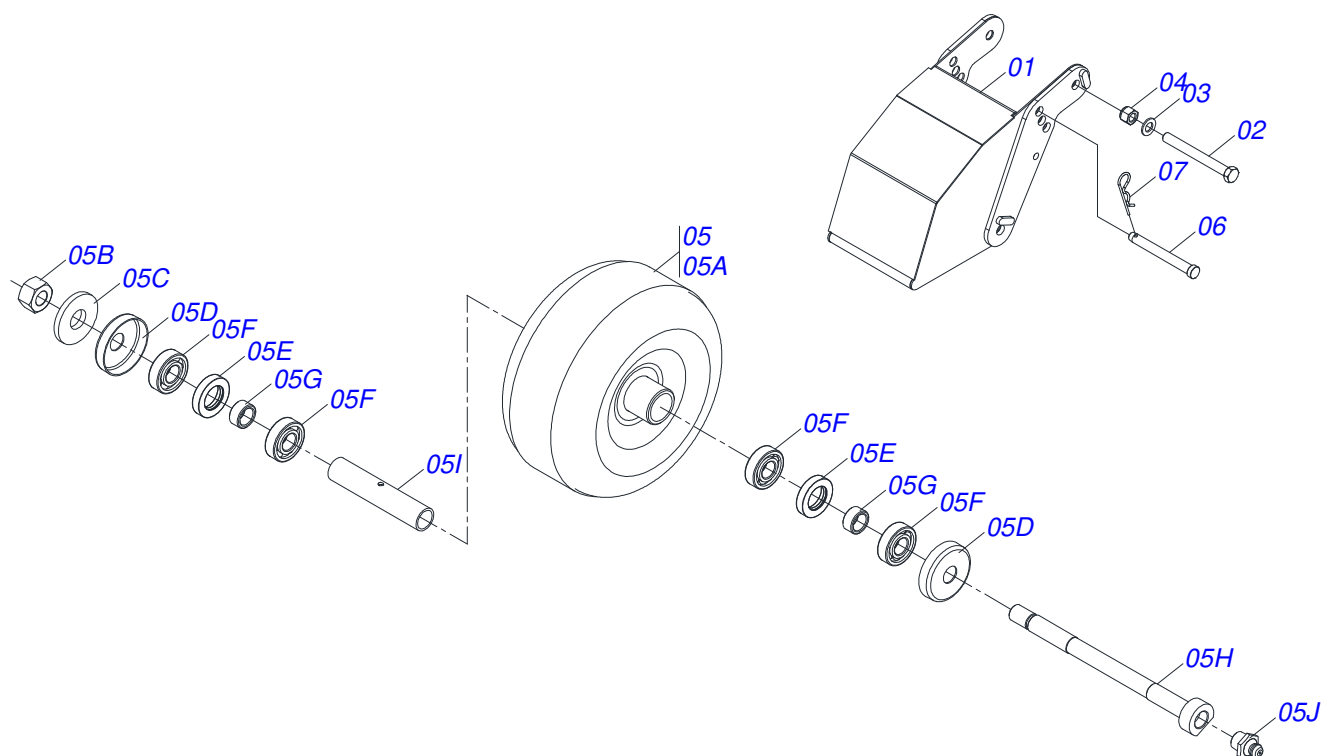
Item	Code	Description	See page	QT
01	0501064255	2.4" X 8" CYLINDER CASE		01
02	0521014292	1.7" X 15" TURNBUCLE WITH HOLES		01
03	0502040493	CLEVIS 26,50 R41		01
04	0503011094	3/8" X 2" BOLT		01
05	0503010025	3/8 SPRING WASHER		01
06	0503010026	3/8" NUT		01
07	0502010993	DETACHABLE COVER		01
08	0502010781	RING SUPPORT		01
09	0503010761	D-1750 SCRAPER RING		01
10	0503010990	GASKET		01
11	0503010949	W2-2000-500 PK RING G.E		01
12	0503011060	8-336 BACK-UP RING		01
13	0503010976	2-336 N 3006-9B O'RING		01
14	0503010042	2-214 N 3006-9B O'RING		01
15	0502010843	1.8" X 3.4" PISTON		01
16	0503010170	PACKING 3120 2750		02
17	0503010948	W4-3346-590 PK RING G.E		01
18	0503010063	1" SELF-ALIGNING NUT		01
19	0521014003	REG INNER BODY OF THE CARRY-WHEEL		01
20	0511060370	CARRY-W REG OUTER BODY ASSY		01
21	0503011148	3/8" X 1/2" BOLT		02
22	0501031796	HYDRAULIC CYLINDER REPAIR KIT		



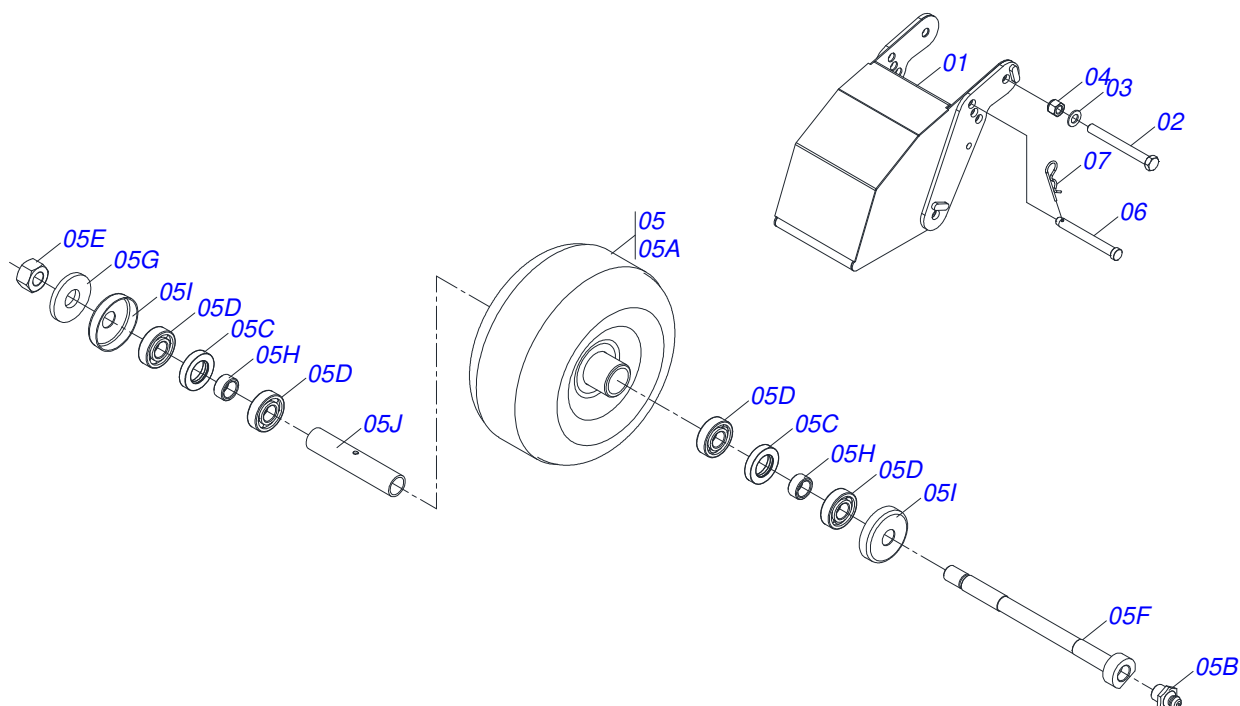
Item	Code	Description	See page	QT
01	0503062157	DRAWBAR JACK	17	01



Item	Code	Description	See page	QT
01	0503011627	MALE QUICK COUPLER AGR 1/2 NPT		01
02	0503011882	MALE QUICK COUPLER CAP		01



Item	Code	Description	See page	QT
01	0511067120	COVER FRONT WHEEL SUPPORT		01
02	0503012951	3/4" X 10-1/2" BOLT		01
03	0501010941	FLAT WASHER		01
04	0503011075	3/4" UNC NUT		01
05	0501053885	ARM REAR WHELL		01
05A	0511063509	14" X 8" WHELL		01
05B	0503011075	3/4" UNC NUT		01
05C	0501010941	FLAT WASHER		01
05D	0511014254	DUST CLOAK		02
05E	0503010268	00262-B SEAL		02
05F	0503010269	6204 BALL BEARING		04
05G	0521010487	SPACER WASHER		02
05H	0551011854	REAR CARRYING WHEELS AXLE		01
05I	0531014502	0.9" X 1.1" X 6.3" SLEEVE		01
05J	0503010002	1800 GREASE FITTING		01
06	0541018559	REAR WHELL CONTROL AXLE		01
07	0503030012	HITCH PIN CLIP		01



Item	Code	Description	See page	QT
01	0511067120	COVER FRONT WHEEL SUPPORT		01
02	0503012951	3/4" X 10-1/2" BOLT		01
03	0503010023	3/4" SPRING WASHER		01
04	0503010014	3/4" HEX NUT		01
05	0501053885	ARM REAR WHELL		01
05A	0511063509	14" X 8" WHELL		01
05B	0503010002	1800 GREASE FITTING		01
05C	0503010268	00262-B SEAL		02
05D	0503010269	6204 BALL BEARING		04
05E	0503011075	3/4" UNC NUT		01
05F	0551011854	REAR CARRYING WHEELS AXLE		01
05G	0501010941	FLAT WASHER		01
05H	0521010487	SPACER WASHER		02
05I	0511014254	DUST CLOAK		02
05J	0531014502	0.9" X 1.1" X 6.3" SLEEVE		01
06	0541018559	REAR WHELL CONTROL AXLE		01
07	0503030168	HITCH PIN CLIP		01



MARCHESAN

ANNOTATION

Lined area for annotation with horizontal ruling lines.



MARCHESAN

Technical Publications | Elaboration and Revision

LUIZ CANDIDO

www.marchesan.com.br

