

ROTARY CUTTERS

RC2E 3100 CL CUTRALE

Code: 0501091544

Series: S-0214

Revision: 00

Date Revision: JULHO/2022

PARTS CATALOGUE



MARCHESAN



PRODUCTS

Code	Description
0104120064	RC2/E 3100CL C/R C/P C CUTRA S-0214
0104120073	RC2/E 3100CL C/R C/P C CUTRALE S-0214
0104120065	RC2/E 3100CL C/R EXP CUTRALE S-0214

ATTENTION: IMPORTANT

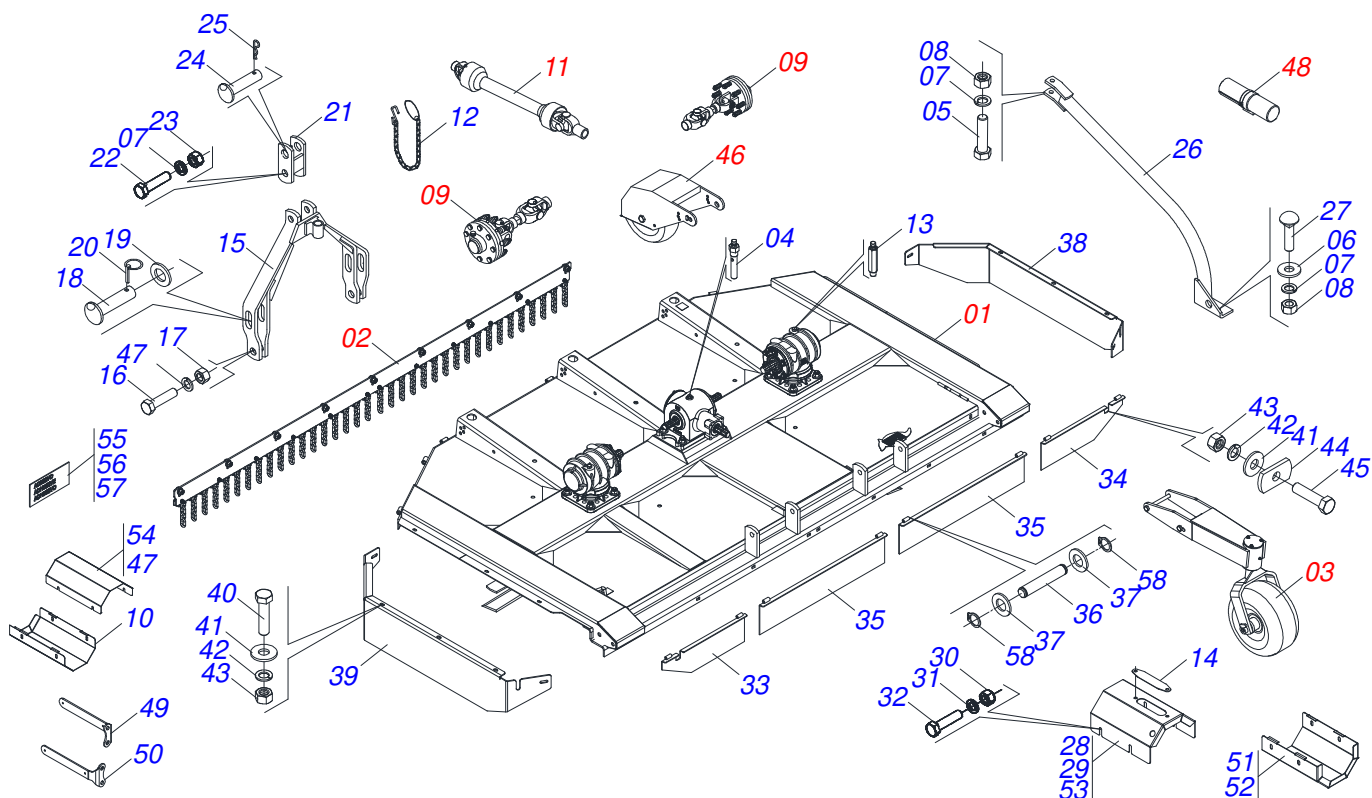
Marchesan S.A. reserves the right to improve and/or modify the technical features of its products, without obligation to do the same with those products already sold and without prior knowledge of the dealer or the consumer. The photos are only illustrative.



MARCHESAN

INDEX

0909090842	ASSY FRAME	1
0511055333	SEMIFINISHED FRAME	2
0501043535	DOUBLE DISTRIBUTOR	3
0511042525	LEFT MULTIPLICATOR	4
0511058643	SEMIFINISHED FRAME	5
0511042159	LH MULTIPLIER	6
0531050703	RIGHT ROTARY SUPPORT 340	7
0531050718	LEFT ROTARY SUPPORT 340	8
0511055111	CHAIN PROTECTION	9
0521056205	FRONT CURRENT PROTECTION	10
0511044441	CARRYING WHEELS ASSY	11
0511041381	DRIVE SHAFT	12
0511040198	DRIVE SHAFT	13
0501047953	90 KGM FRICTION	14
0501047948	DRIVE SHAFT	15
0511044473	FRONT WHEEL RIGHT WITH ASSY PROTECTION	16
0511048551	RIGHT FRONT WHEEL WITH FULL PROTECTION	17
0521052977	MANUAL CANISTER ASSY	18



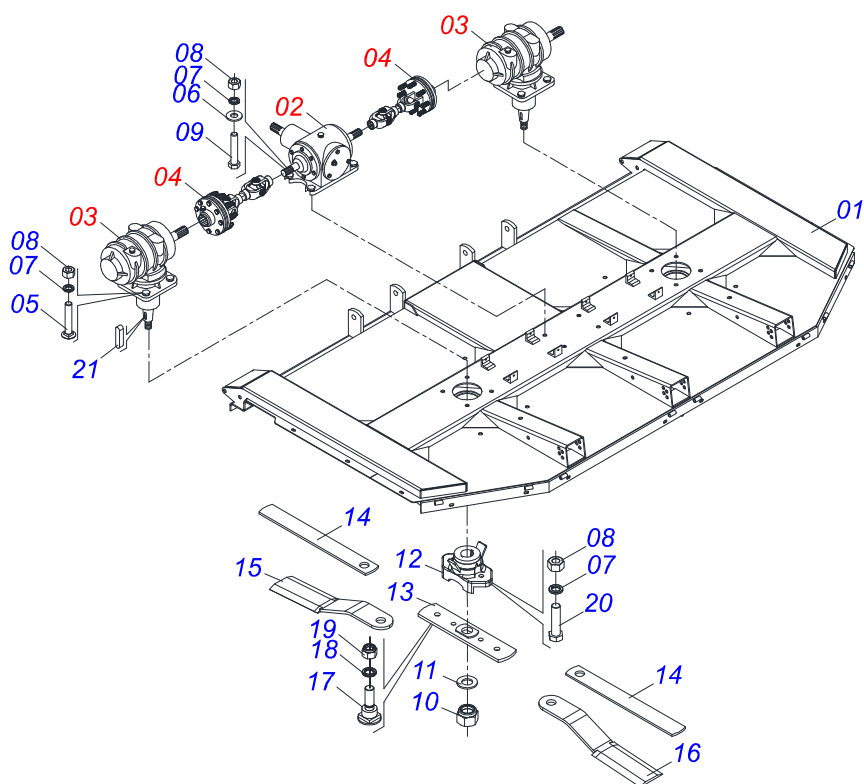
Item	Code	Description	See page	QT
01	0511055333	SEMIFINISHED FRAME	2	01
01.	0511058643	SEMIFINISHED FRAME	5	01
02	0511055111	CHAIN PROTECTION	9	01
02.	0521056205	FRONT CURRENT PROTECTION	10	02
03	0511044441	CARRYING WHEELS ASSY	11	03
04	0501110186	OIL SMALLER LEVEL INDICATOR		02
05	0501010164	3/4" X 7 BOLT		04
06	0501010322	FLAT WASHER		17
07	0503010023	3/4" SPRING WASHER		15
08	0503010014	3/4" NUT		22
09	0511041381	DRIVE SHAFT	12	02
09.	0511040198	DRIVE SHAFT	13	02
10	0581011777	BODY LOWER PROTECTION COAT		01
11	0501047948	DRIVE SHAFT	15	01
12	0503011981	17.7" CHAIN WITH HOOK/LINK		01
13	0501110843	DOBLE DISTRIBUTOR HOLE		01
14	0581012546	LUBRICATION AXIS TRANSMISSION		01
15	0511062006	DRAWBAR		01
16	0501010171	BOLT 1 UNC X 3.1/2 C S G.5		02
17	0501010059	1.5/8 NUT		02
18	0521010629	1.1" X 5.1" COUPLING SHAFT		02
19	0501010065	1" SPRING WASHER		02
20	0503030430	7/16 X 2" PIN LOCK		02
21	0501066445	PIVOT DOUBLE BAR		02
21.	0502040922	HEADER SUPPLEMENT		01
22	0503011198	C3/4" X 6" SCREW		01
23	0503010014	3/4" NUT		01
24	0521010578	COUPLING SHAFT		01
25	0503031035	HITCH PIN CLIP		01
26	0521065849	ATTACHMENT BAR		01
26.	0501067540	FRENCH HAND		01



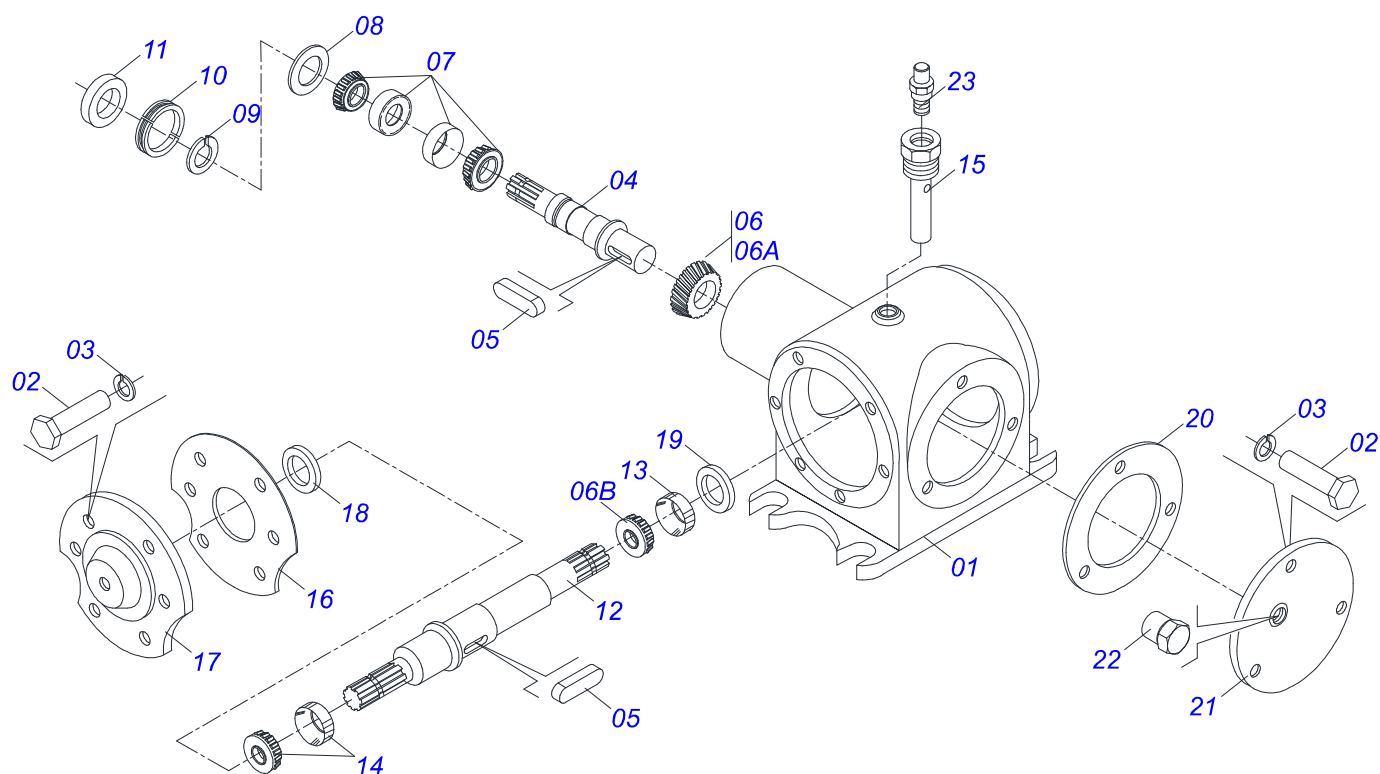
ASSY FRAME

0909090842

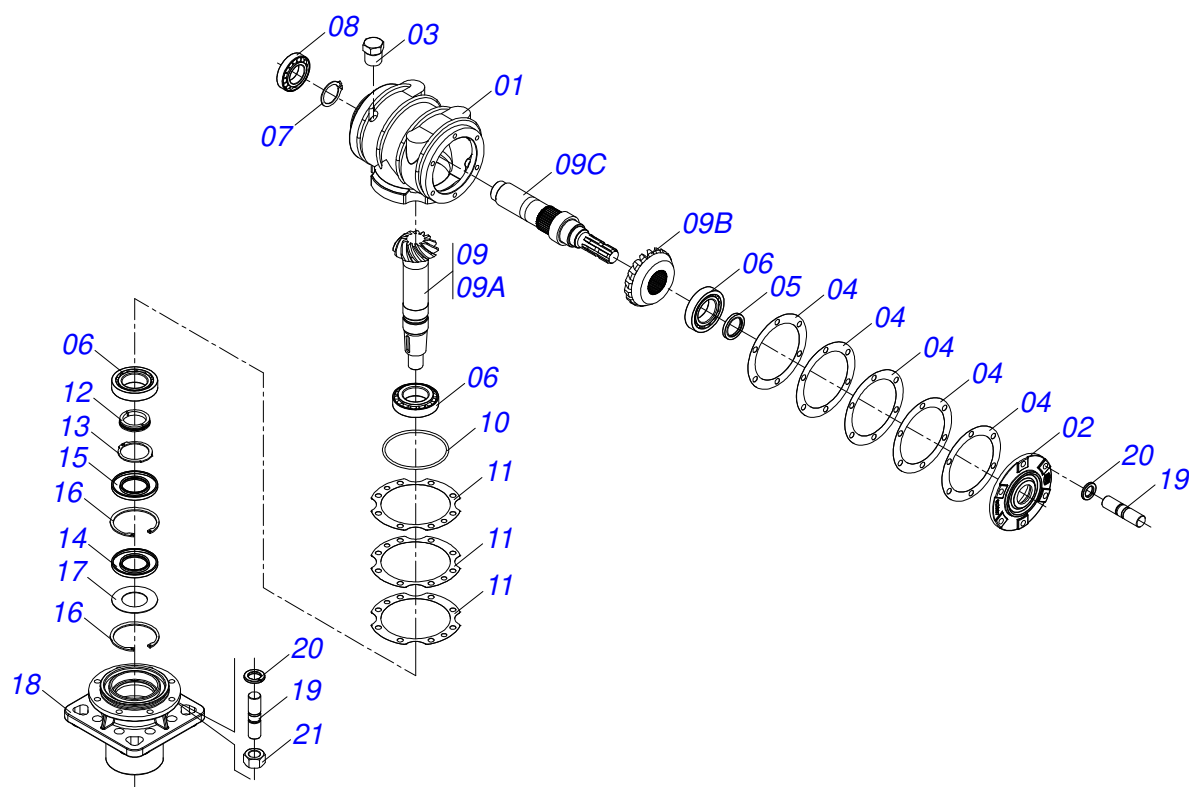
Item	Code	Description	See page	QT
27	0501017305	3/4" X 2-1/4" BOLT		01
28	0531017847	SMALLER COVER PROTECTION		01
29	0531017848	LARGER COVER PROTECTION		01
30	0503010026	3/8" NUT		08
31	0503010025	3/8" SPRING WASHER		08
32	0503010256	3/8" X 3/4" BOLT		08
33	0511069883	REAR PROTECTION		01
34	0511069884	REAR PROTECTION		01
35	0511069882	REAR CENTRAL PROTECTION		02
36	0501213766	PIN WITH GROOVES		08
37	0503011828	FLAT WASHER		16
38	0551019817	RIGT SIDE PROTECTION		01
38.	0591010767	RIGHT SIDE PROTECTION BODY		01
39	0551019819	LEFT SIDE PROTECTION		01
39.	0591010765	LEFT SIDE PROTECTION BODY		01
40	0501011600	1/2" X 1-1/4" BOLT		16
41	0511017302	FLAT WASHER		18
42	0503010019	1/2" SPRING WASHER		18
43	0503010020	1/2"NUT		18
44	0551019824	RH PROTECTION LOCK		02
45	0501011194	1/2" X 1-3/4" BOLT		02
46	0511044473	FRONT WHEEL RIGHT WITH ASSY PROTECTION	16	47
46.	0511048551	RIGHT FRONT WHEEL WITH FULL PROTECTION	17	01
47	0591010764	TOP COUPLING PROTECTION COVER		01
48	0521052977	MANUAL CANISTER ASSY	18	01
49	0501111017	BODY SUPPORT COUPLING PROTECTION COVER		04
50	0501110997	LARGER SUPPORT COVER PROTECTION		02
51	0591010771	LOWER COUPLING PROTECTION COVER		01
52	0591010770	LOWER COUPLING PROTECTION COVER		01
53	0501110998	CARDAN TOP PROTECTION COVER		01
54	0591011135	TOP COUPLING PROTECTION COVER		01
55	0503034247	ADHESIVE LABEL POINT LUBRICATION		01
56	0503031127	ADHESIVE LABEL		03
57	0503031087	ADHESIVE LABEL		01
58	0503013219	RETAINING RING		16



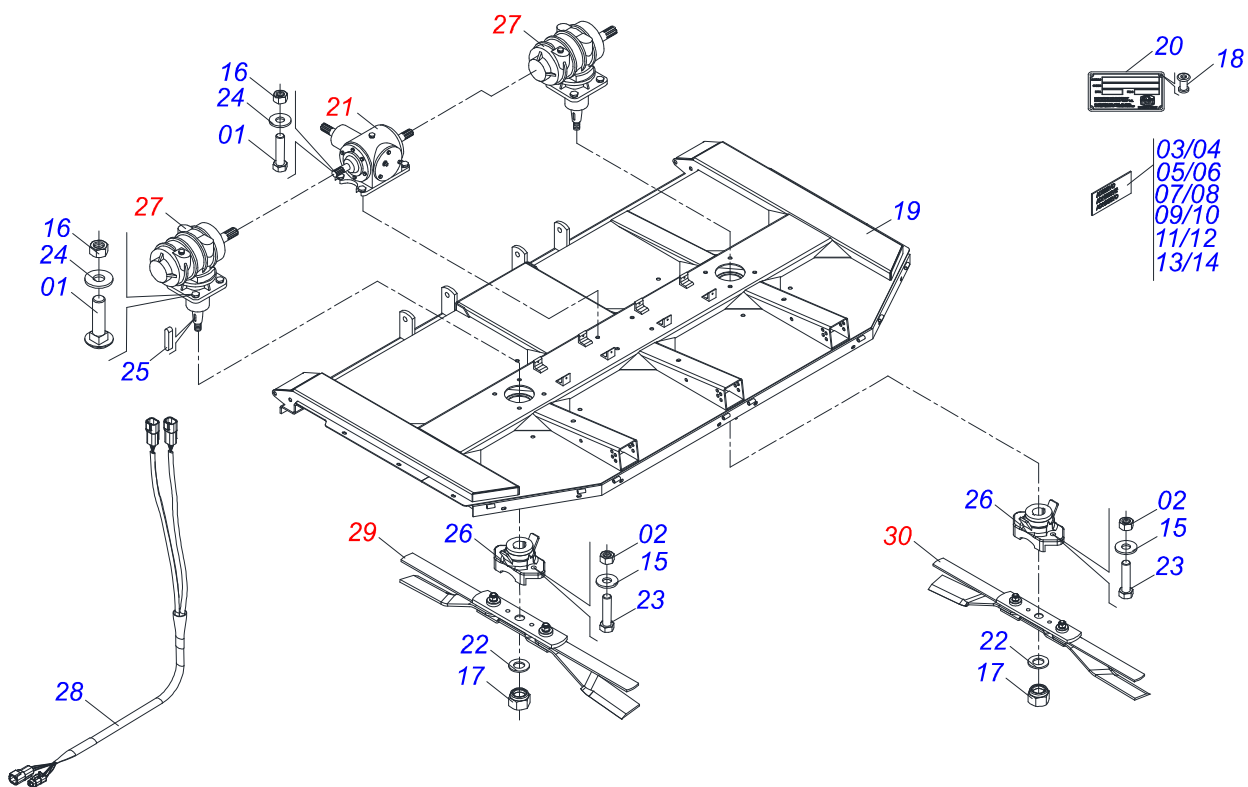
Item	Code	Description	See page	QT
01	0521064890	FRAME		01
02	0501043535	DOUBLE DISTRIBUTOR	3	01
03	0511042525	LEFT MULTIPLICATOR	4	02
04	0511041381	DRIVE SHAFT	12	02
05	0501010216	3/4" X 4-1/2" BOLT		08
06	0501010322	FLAT WASHER		04
07	0503011442	3/4" SPRING WASHER		16
08	0503010014	3/4" NUT		16
09	0503010797	3/4" X 4" BOLT		04
10	0503010817	1.1/4" SELF LOCKING NUT		02
11	0501017779	32 X 60 X 4.75 FLAT WASHER		02
12	0502012453	SUPPORT FLANGE		02
13	0511069195	ROTARY CUTTER FIXER		02
14	0531015055	620 FOLLOWER		04
15	0622400056	24"X4"X0,5" LEFT ROTARY CUT BLADES		02
16	0622400055	RH 24"X4"X0,5" ROTARY CUTTER BLADES		02
17	0541014286	FASTERNER ROCADORES		04
18	0503011438	SPRING WASHER		04
19	0503010063	1" SELF-ALIGNING NUT		04
20	0503010901	3/4UNC 3.1/2 BOLT		04
21	0501010536	KEYWAY SQUARE		01



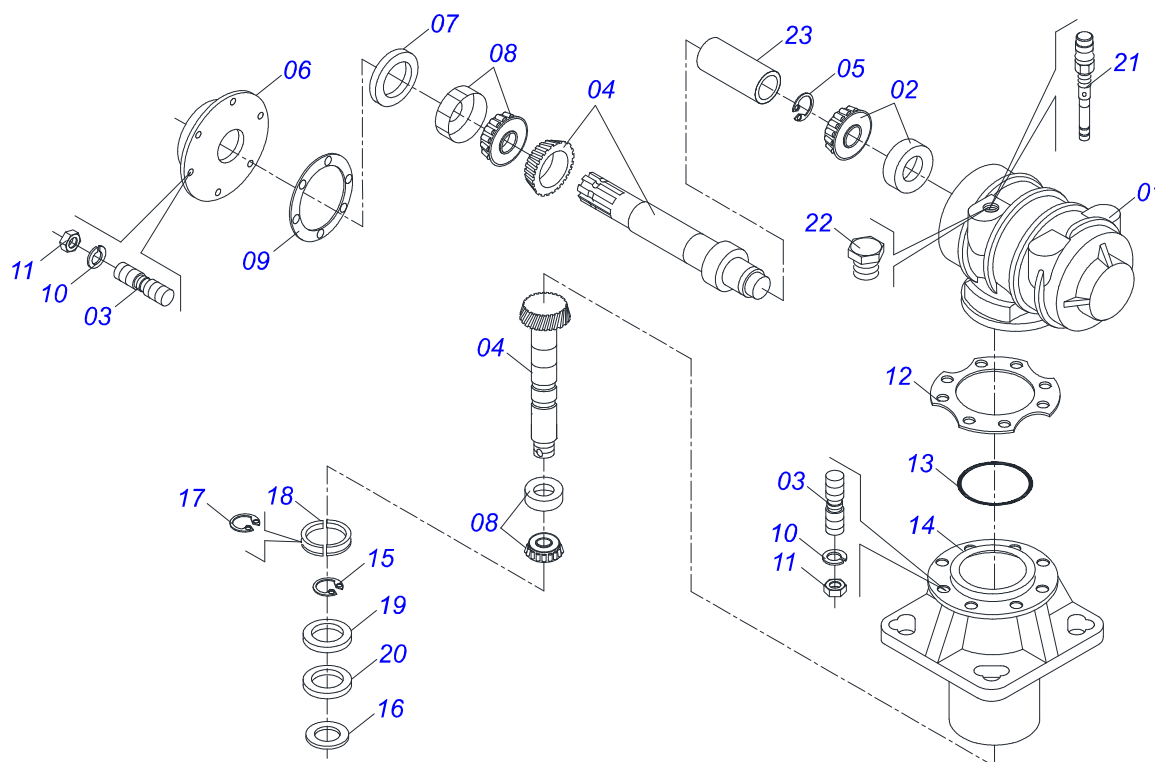
Item	Code	Description	See page
01	0502010801	HOUSING OF THE DISTRIBUTOR DOUBLE	01
02	0503010751	C3/8" X 1.1/4" HEX BOLT G.5	09
03	0503011443	3/8" SPRING WASHER	09
04	0503030111	SMALLER AXLE	01
05	0501012993	0.4" X 1.1"KEYWAY SQUARE	04
06	0503060249	CONICAL GEAR SET FOR DOUBLE DISTRIBUTOR	01
06A	0503030113	15Z RIGHT CONICAL GEAR	01
06B	0503031811	15Z LEFT CONICAL GEAR	01
07	0503010102	25577/25523 ROLLER BEARING	02
08	0501010237	FLAT WASHER	01
09	0503010210	LOCK WASHER	01
10	0503010211	KM- 8 LOCKNUT	01
11	0503010079	5042 SEAL	01
12	0511010103	LARGER AXLE	01
13	0503010312	6207 BALL BEARING	01
14	0503010031	368A/362A ROLLER BEARING	01
15	0521014311	DOBLE DISTRIBUTOR HOLE BODY	01
16	0503030228	7.1" X 5.3" X 0.008" JOINT	02
17	0502020250	FRONT COVER	01
18	0503010082	00274-BG SEAL	01
19	0503010079	5042 SEAL	01
20	0503030341	6.4" X 0.008" JOINT	04
21	0502020160	COVER WITH DOUBLE DISTRIBUTOR	01
22	0503031604	1/2" BSP PLUG	01
23	0503010325	VCA-118 VALVE	01



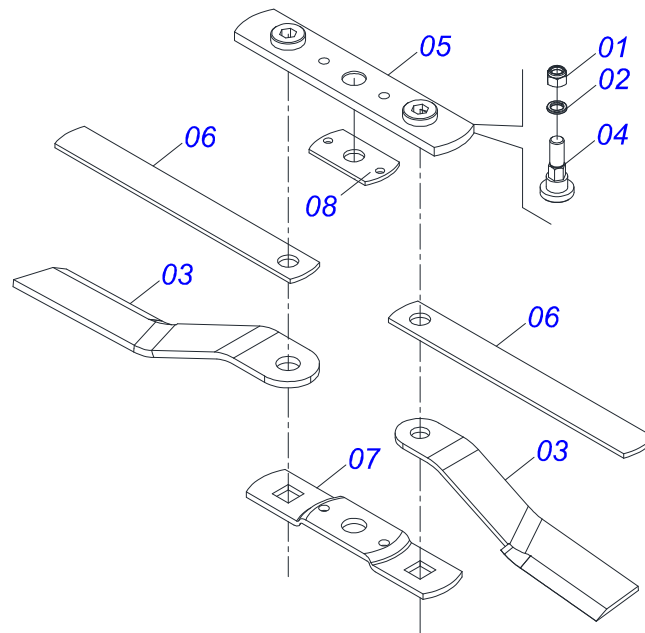
Item	Code	Description	See page	QT
01	0502012205	BOX MULTIPLIER		01
02	0502012207	COVER MULTIPLIER		01
03	0503031604	1/2" BSP PLUG		01
04	0503030783	7.1" X 5.3" X 0.008" JOINT		05
05	0503012103	5301 -BSEAL		01
06	0503012418	32211 ROLLER BEARING		03
07	0503014772	501056 CLAMPING RING (FOR AXLE)		01
08	0503010750	30209 BALL BEARING		01
09	0503061698	CROWN PINION SET 12Z 12Z AXLE LEFT		01
09A	0503031917	12Z LOWER CONICAL GEAR		01
09B	0503031918	18Z CONICAL GEAR		01
09C	0503032043	UPPER AXLE		01
10	0503010286	2-355 N 3006-9B O'RING		01
11	0503030785	7.9" X 5.9" X 0.008" JOINT		03
12	0531019302	LOCK RING		01
13	0503012311	501065 RENO RING		01
14	0503013201	ARCA 6016 BRG SEAL		01
15	0503013211	6016 BRG SEAL		01
16	0503011420	502100 CLAMPING RING (FOR AXLE)		02
17	0531018823	FLAT WASHER		01
18	0502012206	LOWER HUB		01
19	0503030084	1/2" X 1/2" X 2.0" STUD		14
20	0503011440	SPRING WASHER		14
21	0503010028	1/2" NUT		14
22	3402301247	MINERAL OIL GREASE		03



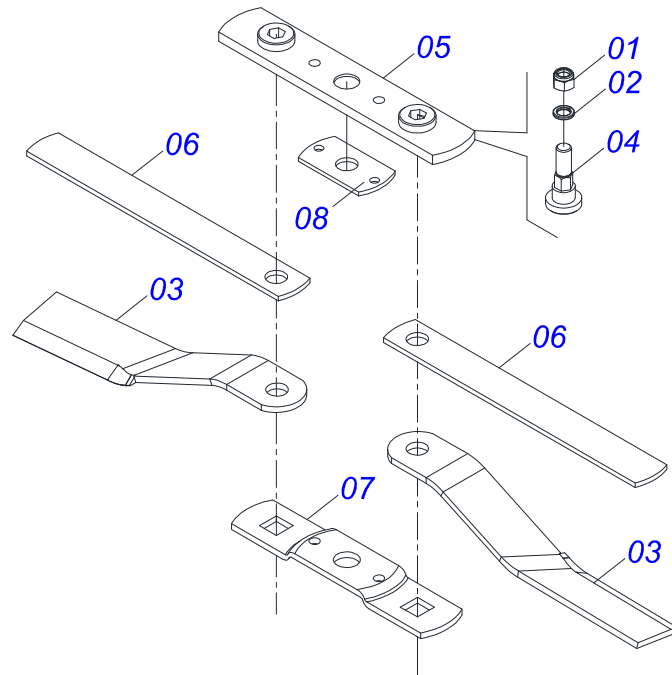
Item	Code	Description	See page	QT
01	0503017867	SCREW 3/4 UNC X 4.1/2 CAPQ G.7 ZN		08
02	0503010014	3/4" NUT		08
03	0503034750	ADHESIVE		01
04	0503034333	ADHESIVE LABEL		01
05	0503034078	LIFTING POINTS DECAL		04
06	0503032949	ADHESIVE LABEL		01
07	0503032535	LABEL ADHESIVE CARDAN SIDE		01
08	0503032534	ADHESIVE LABEL		01
09	0503032060	ADHESIVE LABEL		02
10	0503031932	ADHESIVE LABEL		01
11	0503031930	ADHESIVE LABEL		01
12	0503031929	ADHESIVE LABEL		01
13	0503031428	READ MANUAL DECAL		01
14	0503031427	ADHESIVE LABEL		01
15	0503011442	3/4" SPRING WASHER		04
16	0503011075	3/4" UNC NUT		12
17	0503010817	1.1/4" SELF LOCKING NUT		02
18	0503010001	3.2 X 5.5 RIVET		04
19	0521065893	FRAME		01
20	0503034003	SERIAL NUMBER TAG 61 X 118		01
21	0501043535	DOUBLE DISTRIBUTOR	3	01
22	0501017779	32 X 60 X 4.75 FLAT WASHER		02
23	0501010216	3/4" X 4-1/2" BOLT		04
24	0501010322	FLAT WASHER		12
25	0501010536	KEYWAY SQUARE		04
26	0502012453	SUPPORT FLANGE		02
27	0511042159	LH MULTIPLIER	6	02
28	0513010001	TRIMBLE CABLE		04
29	0531050703	RIGHT ROTARY SUPPORT 340	7	01
30	0531050718	LEFT ROTARY SUPPORT 340	8	01



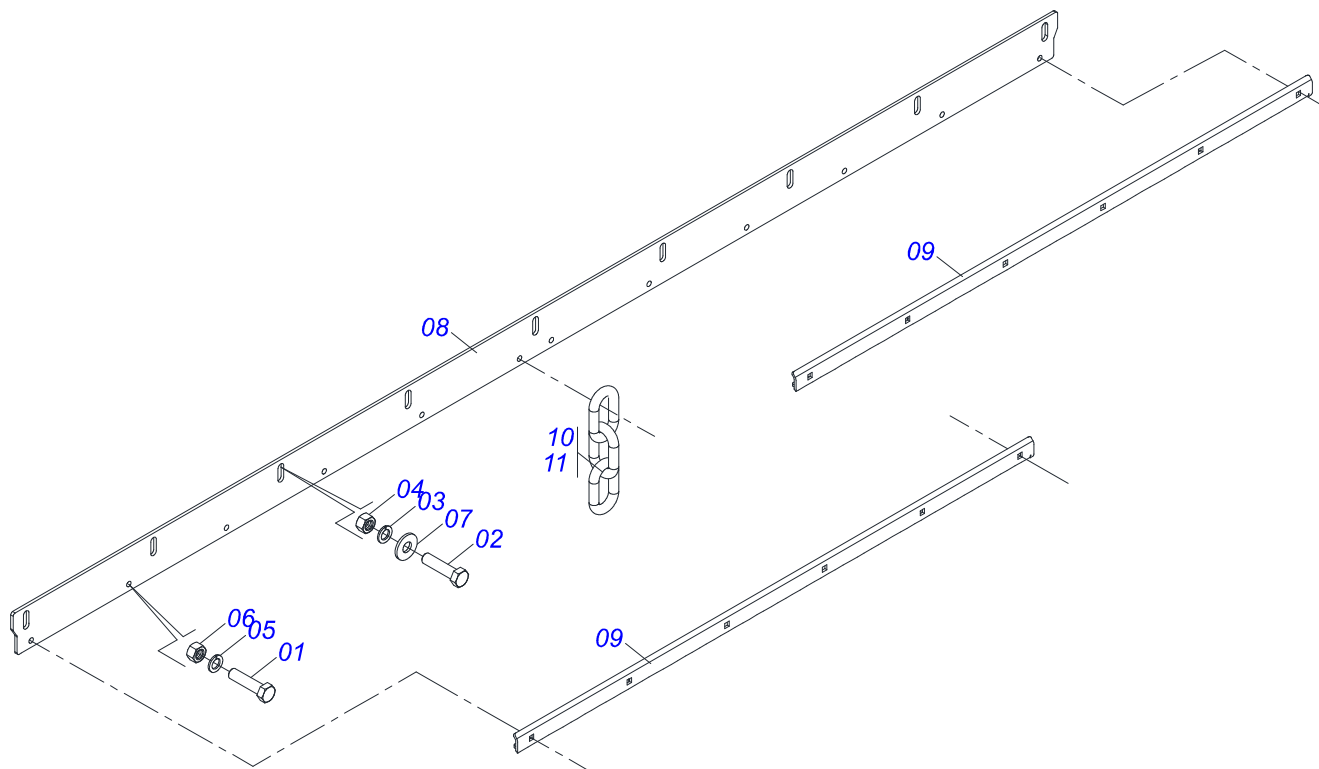
Item	Code	Description	See page	QT
01	0502012205	BOX MULTIPLIER		01
02	0503010750	30209 BALL BEARING		01
03	0503030084	1/2" X 1/2" X 2.0" STUD		14
04	0503060623	CROWN PINION SET		01
05	0503014772	501056 CLAMPING RING (FOR AXLE)		01
06	0502012207	COVER MULTIPLIER		01
07	0503012103	5301 -BSEAL		01
08	0503012418	32211 ROLLER BEARING		01
09	0503030783	7.1" X 5.3" X 0.008" JOINT		03
10	0503011440	SPRING WASHER		14
11	0503010028	1/2" NUT		14
12	0503030785	7.9" X 5.9" X 0.008" JOINT		03
13	0503010286	2-355 N 3006-9B O'RING		01
14	0502012206	LOWER HUB		01
15	0503011420	502100 CLAMPING RING (FOR AXLE)		02
16	0531018823	FLAT WASHER		01
17	0503012311	501065 RENO RING		01
18	0531019302	LOCK RING		01
19	0503013211	6016 BRG SEAL		01
20	0503013201	ARCA 6016 BRG SEAL		01
21	0501110186	OIL SMALLER LEVEL INDICATOR		01
22	0503031604	1/2" BSP PLUG		01
23	0551018056	SLEEVE FLANGE BALL BEARING		01



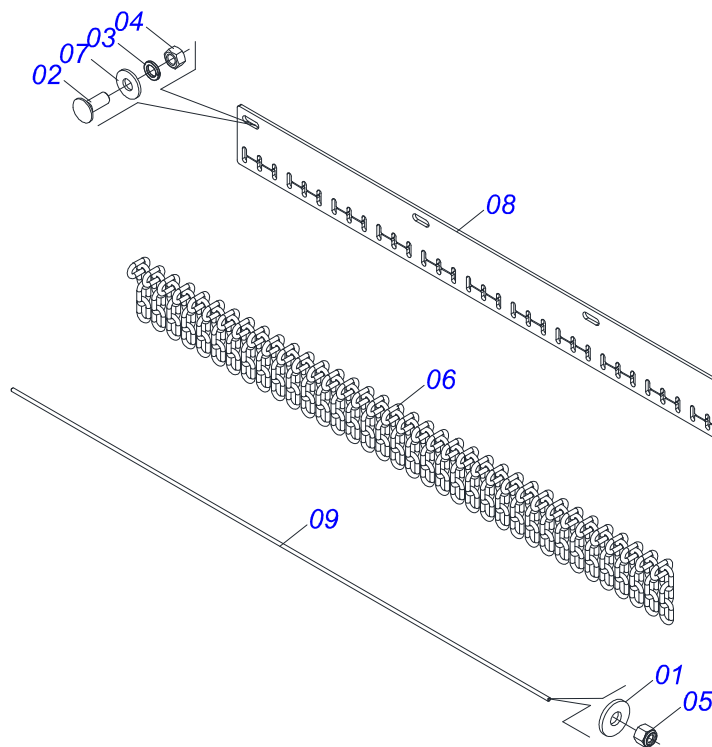
Item	Code	Description	See page	QT
01	0503010812	7/8" UNF SELF LOCKING NUT		02
02	0503011447	SPRING WASHER		02
03	0622400055	RH 24"X4"X0,5" ROTARY CUTTER BLADES		02
04	0541014286	FASTERNER ROCADORES		02
05	0511069195	ROTARY CUTTER FIXER		01
06	0531015055	620 FOLLOWER		02
07	0561017368	ROTARY LOWER SUPPORT		01
08	0561017309	ROTARY SUPPORT CHOCK		01



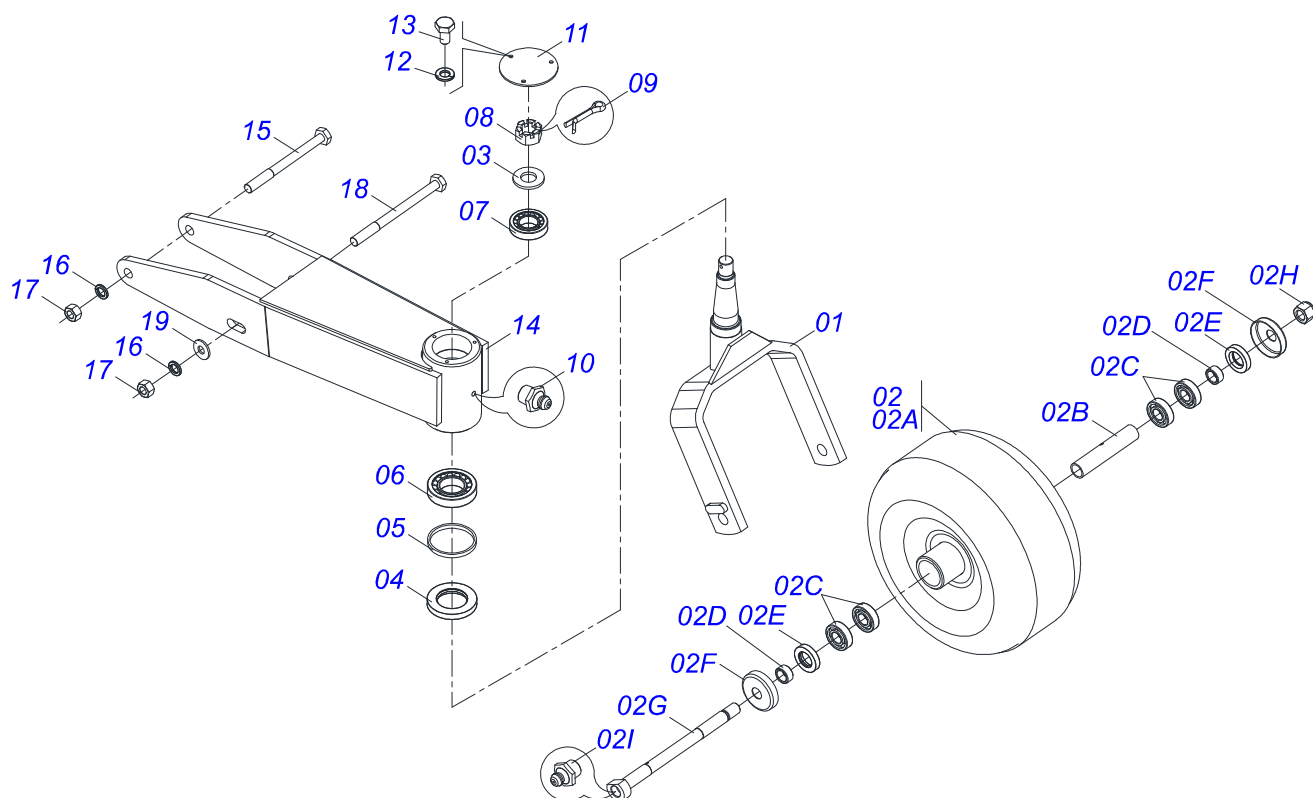
Item	Code	Description	See page	QT
01	0503010812	7/8" UNF SELF LOCKING NUT		02
02	0503011447	SPRING WASHER		02
03	0622400056	24"X4"X0,5" LEFT ROTARY CUT BLADES		02
04	0541014286	FASTERNER ROCADORES		02
05	0511069195	ROTARY CUTTER FIXER		01
06	0531015055	620 FOLLOWER		02
07	0561017368	ROTARY LOWER SUPPORT		01
08	0561017309	ROTARY SUPPORT CHOCK		01



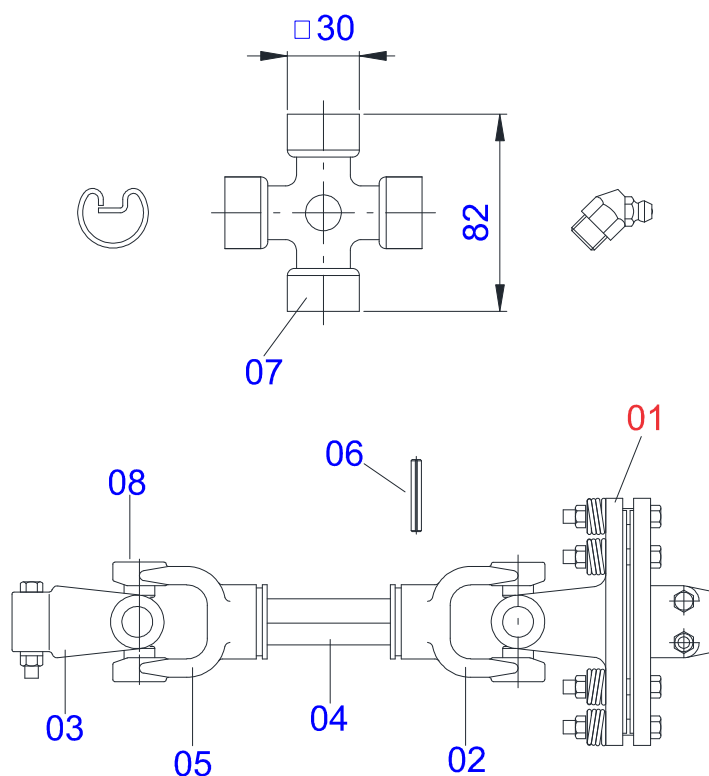
Item	Code	Description	See page	QT
01	0501010942	3/8" X 1-1/4" BOLT		12
02	0501011600	1/2" X 1-1/4" BOLT		25
03	0503010019	1/2" SPRING WASHER		25
04	0503010020	1/2"NUT		25
05	0503010025	3/8" SPRING WASHER		12
06	0503010026	3/8" NUT		15
07	0511017302	FLAT WASHER		25
08	0571016083	CHAIN PROTECTION BODY		01
09	0571016082	PROTECTION CLAW		02
10	0511011774	8,00 CHAIN 4 LINK		72
11	0511011774	8,00 CHAIN 4 LINK		72



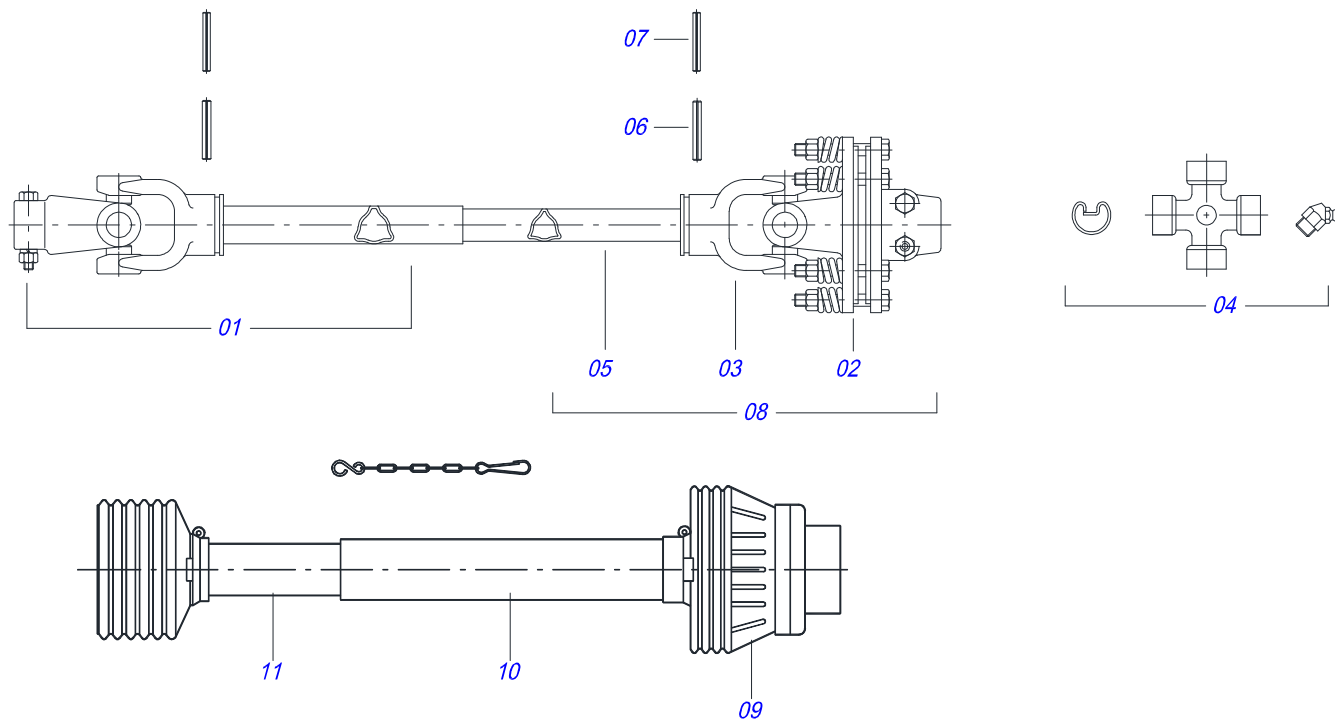
Item	Code	Description	See page	QT
01	0501010984	FLAT WASHER 10,50 X 27 X 3,00 ZN		02
02	0501011600	1/2" X 1-1/4" BOLT		04
03	0503010019	1/2" SPRING WASHER		04
04	0503012682	1/2" BSW NUT		04
05	0503013759	NUT		02
06	0511011774	8,00 CHAIN 4 LINK		36
07	0511017302	FLAT WASHER		04
08	0591010768	BODY FRONT CURRENT PROTECTION		01
09	0591010769	CURRENT PROTECTION ROD		01



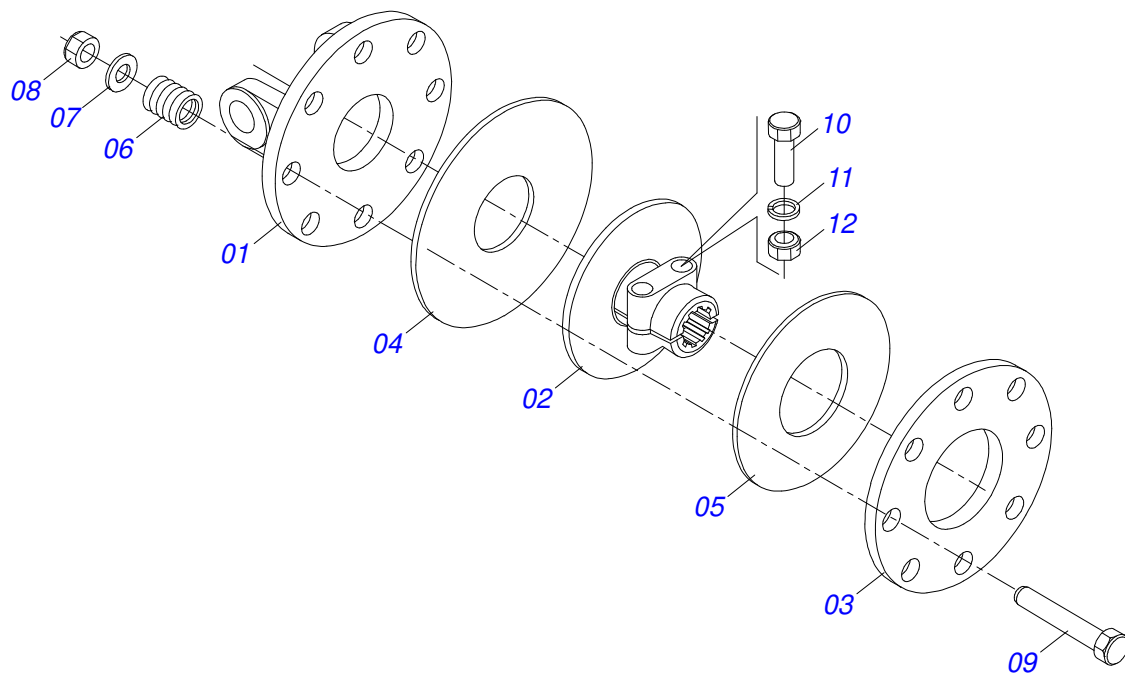
Item	Code	Description	See page	QT
01	0511067159	REAR WHEELS FORK		01
02	0501057218	ARM REAR WHELL		01
02A	0511063509	14" X 8" WHELL		01
02B	0531014502	0.9" X 1.1" X 6.3" SLEEVE		01
02C	0503010269	6204 BALL BEARING		04
02D	0521010487	SPACER WASHER		02
02E	0503010268	00262-B SEAL		02
02F	0511014254	DUST CLOAK		02
02G	0551011854	REAR CARRYING WHEELS AXLE		01
02H	0503011075	3/4" UNC NUT		01
02I	0503010002	1800 GREASE FITTING		01
03	0511015994	FLAT WASHER		01
04	0503010279	SEAL		01
05	0541018986	WASHER		01
06	0503010360	30208 ROLLER BEARING		01
07	0503011290	30206 BALL BEARING		01
08	0503030009	1" CASTLE NUT		01
09	0503010523	1/4" X 2" COTTERPIN		01
10	0503010002	1800 GREASE FITTING		01
11	0541018995	WHEEL BOX COVER		01
12	0503011441	SPRING WASHER		03
13	0503013758	1/4" X 1-1/2" BOLT		03
14	0511067801	REAR WHEEL SUPPORT		01
15	0503010795	5/8" X 7" BOLT		01
16	0503011445	SPRING WASHER		02
17	0503010013	5/8" NUT		02
18	0503012410	5/8" X 7.1/2" BOLT		01
19	0501012140	FLAT WASHER		01



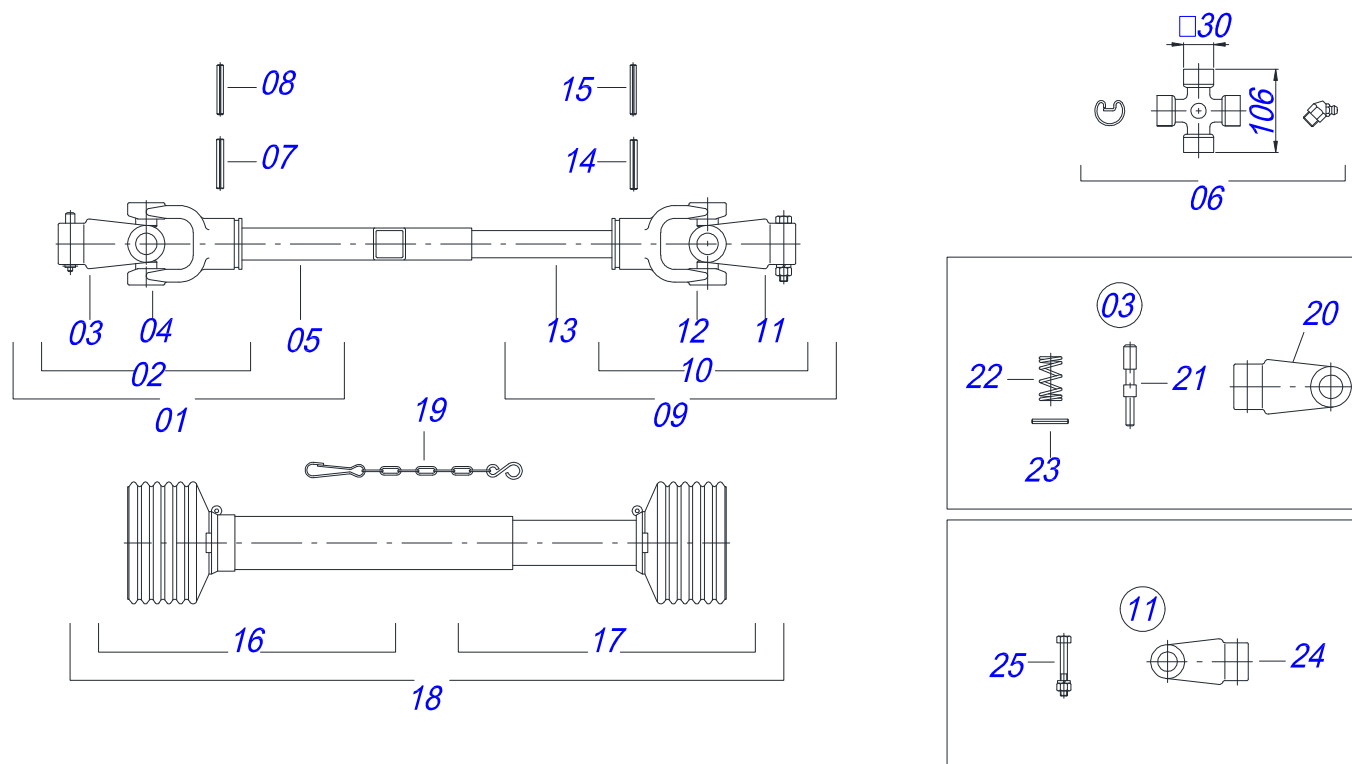
Item	Code	Description	See page	QT
01	0501047953	90 KGM FRICTION	14	01
02	0503013130	CC266/F TERMINAL		01
03	0503012096	CROSSPIECE		01
04	0503013133	STRIATED AXLE		01
05	0503013131	CC266 TERMINAL		01
06	0503011877	0.3" X 2.4" SPRING PIN		02
07	0503012096	CROSSPIECE		01
08	0503013132	CC292 TERMINAL		01



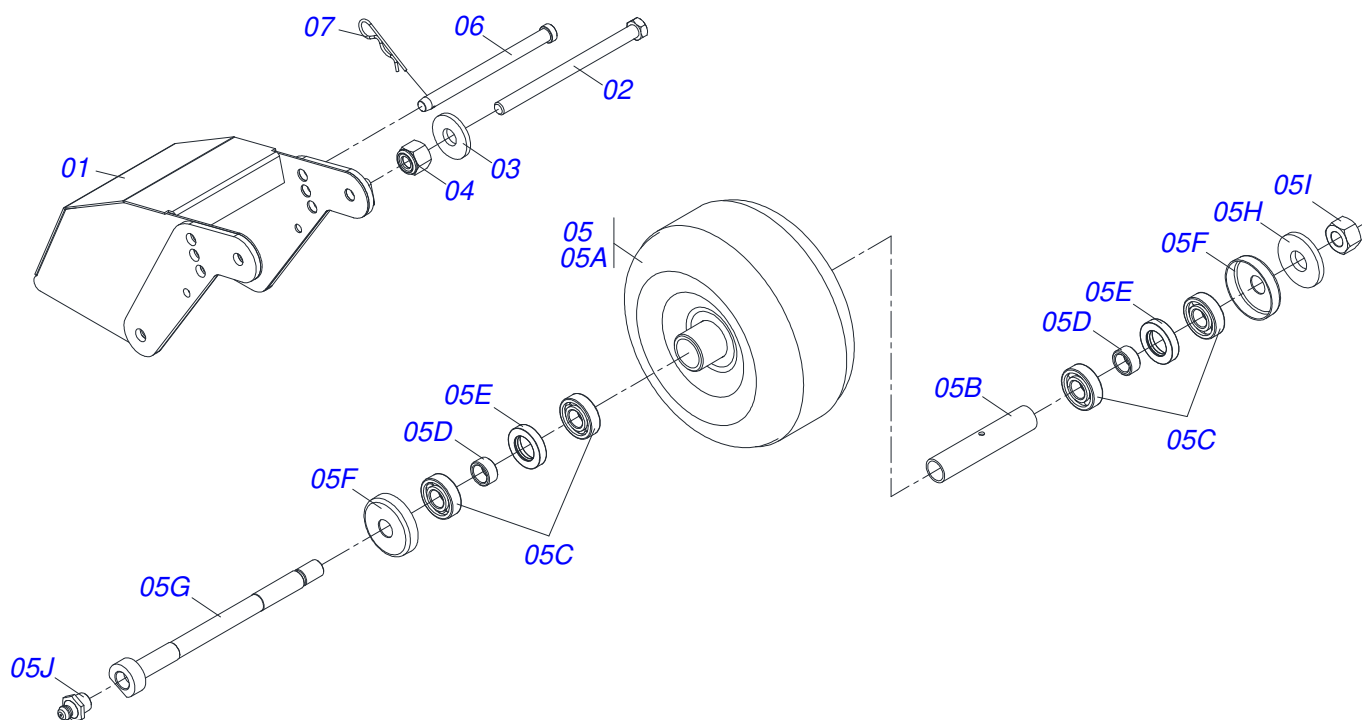
Item	Code	Description	See page
01	0503013279	FEMALE CARDAN	01
02	0501047953	90 KGM FRICTION	14 01
03	0503013187	TERMINAL	01
04	0503013260	CROSSPIECE	01
05	0503013261	MALE TRINGULAR TUBE	01
06	0503010842	0.39" X 2.95" SPRING PIN	01
07	0503013259	0.2" X 0.39" SPRING PIN	01
08	0503013278	MALE CARDAN	01
09	0503013262	FRICTION DISC PROTECTION ASSY	01
10	0503013263	FEMALE PROTECTION TUBE	01
11	0503013264	MALE PROTECTION TUBE	01



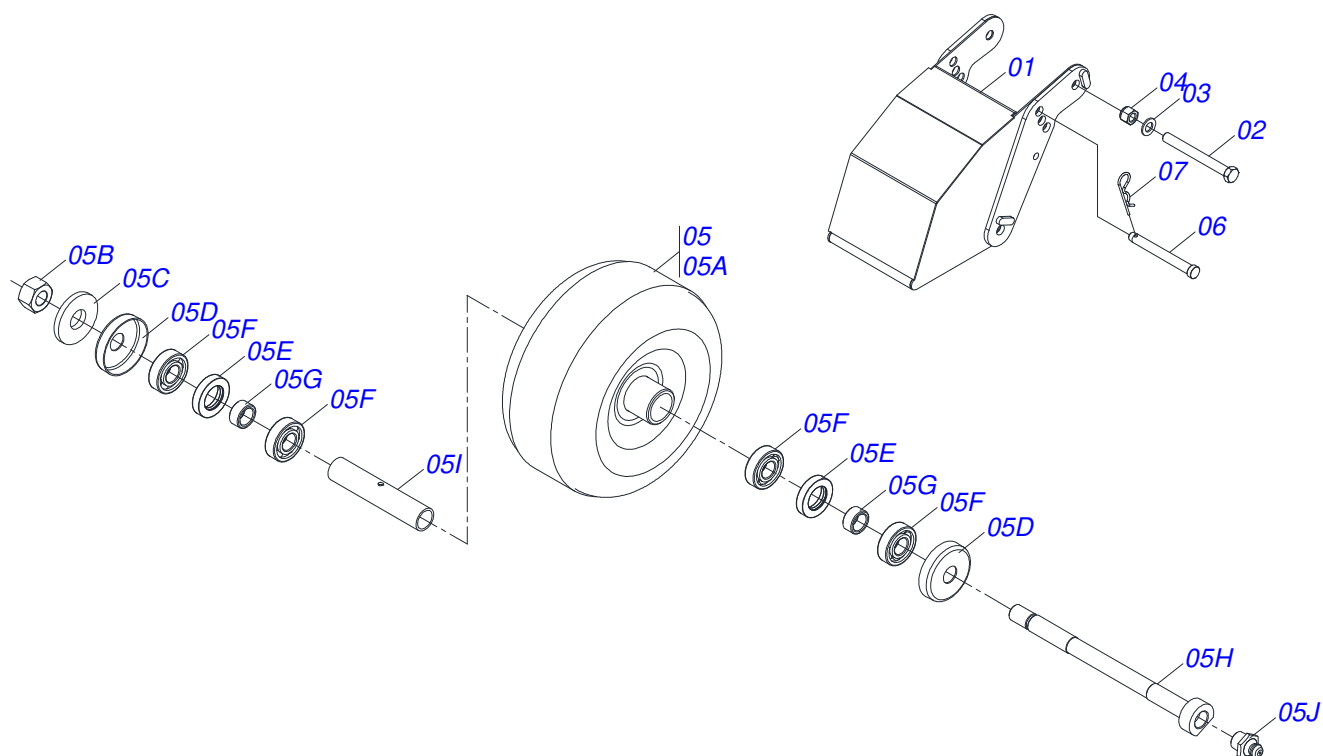
Item	Code	Description	See page	QT
01	0503012095	FRONT FLANGE		01
02	0503011869	CENTRAL FLANGE		01
03	0503011870	REAR FLANGE		01
04	0503031474	INNER FRICTION DISC		01
05	0503031478	OUTER FRICTION DISC		01
06	0503030630	1.02"X1.3"X0.2" COMPRESSION SPRING		08
07	0511017302	FLAT WASHER		08
08	0503011336	1/2" HEX SELF ADJUSTING NUT		08
09	0503010752	1/2" X 3.1/2" BOLT		08
10	0503010741	1/2" X 2-3/4" BOLT		02
11	0503010019	1/2" SPRING WASHER		02
12	0503010060	1/2" NUT		02



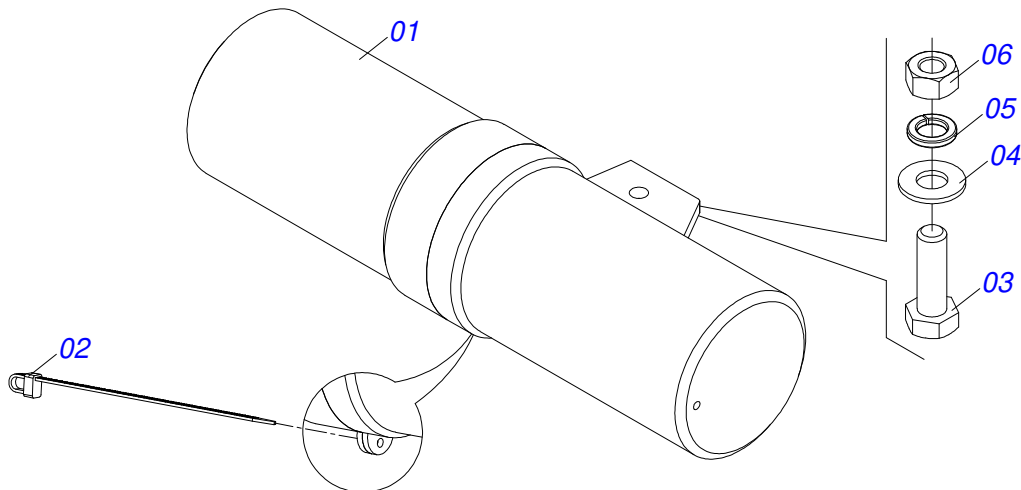
Item	Code	Description	See page
01	0501051711	UNIVERSAL JOINT WITH SLEEVE	01
02	0501051708	UNIVERSAL JOINT	01
03	0501050334	1-60 TERMINAL WITH QUICK HITCH	01
04	0502011422	2-60 TERMINAL	01
05	0511013025	35" X 1.8" SQUARESLEEVE	01
06	0503010837	CARDAN CROSSPIECE	02
07	0503010843	0.4" X 3.3" SPRING PIN	01
08	0503011878	0.2" X 3.3" SPRING PIN	01
09	0501051712	UNIVERSAL JOINT WITH SHAFT	01
10	0501051710	UNIVERSAL JOINT	01
11	0501052516	T6-60 TERMINAL WITH SCREW	01
12	0502011424	3-60 TERMINAL	01
13	0511013026	1.4" X 35" SQUARE SHAFT	01
14	0503011069	0.4" X 2.8" SPRING PIN	01
15	0503011805	0.2" X 2.8" SPRING PIN	01
16	0503012075	PROTECTION FOR UNIV JOINT AND SLEEV	01
17	0503012076	PROTECTION FOR UNIV JOINT AND AXLE	01
18	0503012074	PROTECTION ASSY	01
19	0503012023	CHAIN FOR PROTECTION	02
20	0502010568	1-60 STRIATED 1.3/8" TERMINAL	01
21	0521010638	0.5" X 3.3" QUIC HITCH COUPL SHAFT	01
22	0503030518	0.5"X1.0"X 0.1" COMPRESSION SPRING	01
23	0503010838	0.1" X 0.8" SPRING PIN	01
24	0502010830	6-60 STRIATED 1.3/8" TERMINAL	01
25	0501047756	1/2" X 3" SET PARTS	02



Item	Code	Description	See page	QT
01	0521061648	COVER FRONT WHEEL SUPPORT		01
02	0503012951	3/4" X 10-1/2" BOLT		01
03	0501010941	FLAT WASHER		01
04	0503011075	3/4" UNC NUT		01
05	0501053885	ARM REAR WHELL		01
05A	0511063509	14" X 8" WHELL		01
05B	0531014502	0.9" X 1.1" X 6.3" SLEEVE		01
05C	0503010269	6204 BALL BEARING		04
05D	0521010487	SPACER WASHER		02
05E	0503010268	00262-B SEAL		02
05F	0511014254	DUST CLOAK		02
05G	0551011854	REAR CARRYING WHEELS AXLE		01
05H	0501010941	FLAT WASHER		01
05I	0503011075	3/4" UNC NUT		01
05J	0503010002	1800 GREASE FITTING		01
06	0541018559	REAR WHELL CONTROL AXLE		01
07	0503030012	HITCH PIN CLIP		01
08	1882970002	GREASE SOAP		01Kg



Item	Code	Description	See page	QT
01	0511067120	COVER FRONT WHEEL SUPPORT		01
02	0503012951	3/4" X 10-1/2" BOLT		01
03	0501010941	FLAT WASHER		01
04	0503011075	3/4" UNC NUT		01
05	0501053885	ARM REAR WHELL		01
05A	0511063509	14" X 8" WHELL		01
05B	0503011075	3/4" UNC NUT		01
05C	0501010941	FLAT WASHER		01
05D	0511014254	DUST CLOAK		02
05E	0503010268	00262-B SEAL		02
05F	0503010269	6204 BALL BEARING		04
05G	0521010487	SPACER WASHER		02
05H	0551011854	REAR CARRYING WHEELS AXLE		01
05I	0531014502	0.9" X 1.1" X 6.3" SLEEVE		01
05J	0503010002	1800 GREASE FITTING		01
06	0541018559	REAR WHELL CONTROL AXLE		01
07	0503030012	HITCH PIN CLIP		01



Item	Code	Description	See page	QT
01	0503060100	OPERATOR'S MANUAL STORAGE TUBE		01
02	0503010267	NYLON CLAMP		01
03	0503010363	5/16" X 1" BOLT		01
04	0501010694	FLAT WASHER		01
05	0503010179	LOCK WASHER		01
06	0503010337	5/16" NUT		01



MARCHESAN

Technical Publications | Elaboration and Revision

LUIZ CANDIDO

www.marchesan.com.br

