

**ROW CROP PLANTERS**

## PHT4 TITANIUM

**Code:** 0501091537  
**Series:** S-0615  
**Revision:** 00  
**Date Revision:** DEZEMBRO/2015

# PARTS CATALOGUE



**MARCHESAN**



# PRODUCTS

Code	Description
0111450003	PHT4 3185/4E900 MH SPA TAM S/CX ADB S/DC S-0615
0111450001	PHT4 3185/4E900 MH SPA TAM S/DC S-0615
0111450004	PHT4 3185/4E900 MH SPA TAM S/DC PM100 S-0615
0111450005	PHT4 3185/4E900 MH SPT TAM S/DC S-0615
0111450002	PHT4 3185/4E900 MH TAM S/CX ADB S/DC S-0615

## ATTENTION: IMPORTANT

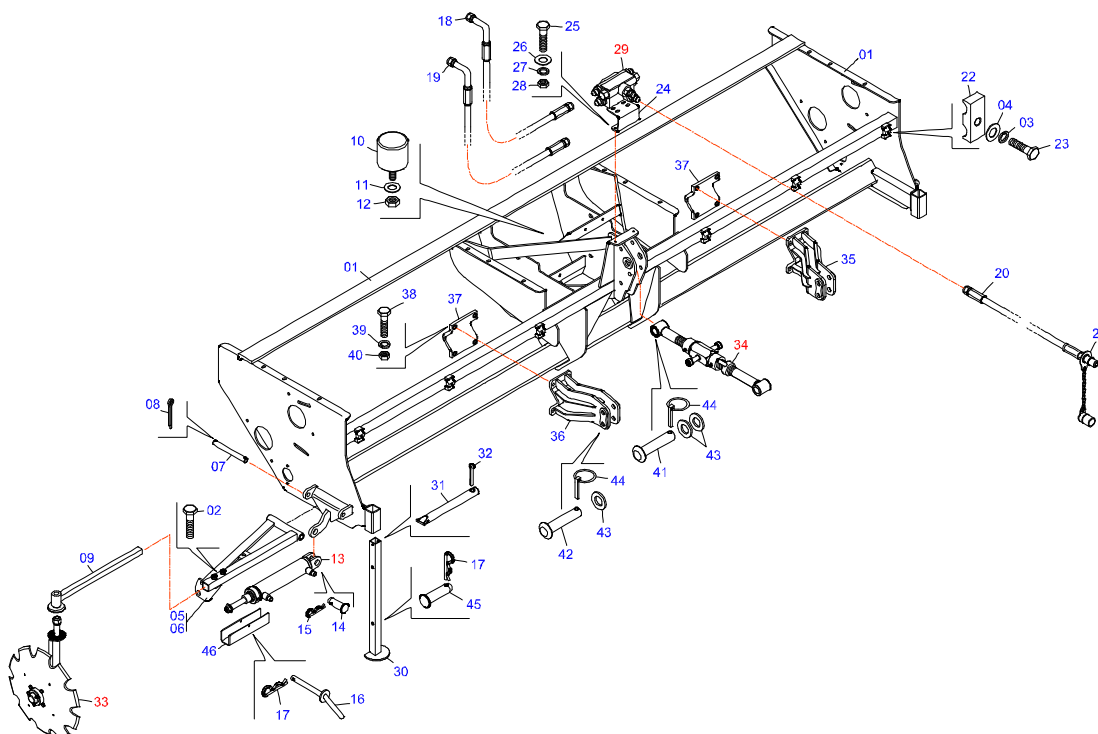
Marchesan S.A. reserves the right to improve and/or modify the technical features of its products, without obligation to do the same with those products already sold and without prior knowledge of the dealer or the consumer. The photos are only illustrative.



**MARCHESAN**

# INDEX

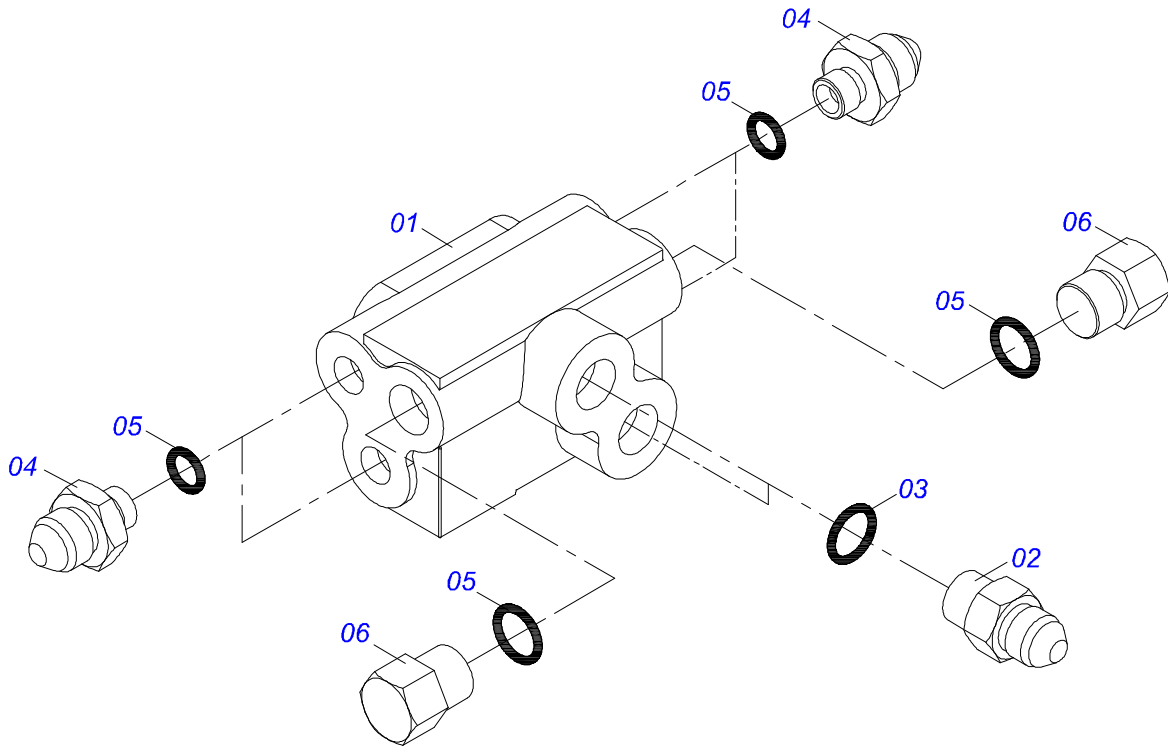
0909090830		.....	1
0501054649	HBM SEQUENTIAL VALVE	.....	2
0521040155	HYDRAULIC CYLINDER 31,75 X 50,8 X 365 X 595	.....	3
0501052586	ESTABILIZER DRAWBAR ASSY	.....	4
0501050633	ROW MARKER DISC ASSEMBLY	.....	5
0909090834	ASSY RIGHT WHEEL	.....	6
0511052484	WHEELS RIGHT	.....	7
0511052487	TURNBUCKLE	.....	8
0909090847	ASSY LEFT WHEEL	.....	9
0511052483	LEFT CARRYING-WHEELS	.....	10
0511051715	SIDE FERTILIZER DISTRIBUTOR	.....	11
0511051714	SIDE FERTILIZER DISTRIBUTOR	.....	12
0501056451	BEARING	.....	13
0501056444	BEARING WITH ROLLING	.....	14
0511051479	BEARING	.....	15
0511051717	LH BEAM SUPPORT	.....	16
0503060693	BOX FERTILIZER ASSY	.....	17
0909094363	FERTILIZER GEAR BOX	.....	18
0501056271	GEARBOX CLOSED BEARING	.....	19
0501056447	CENTRAL DOUBLE GEAR HOUSING BEARING	.....	20
0501058254	UPPER SEED CHAIN TENSIONER	.....	21
0501052776	CHAIN TENSIONER RIGHT ASSY GREATEST	.....	22
0511051511	BEARING	.....	23
0909094364	SEED GEAR BOX	.....	24
0909090846	SEED FERTILIZER ROW	.....	25
0511057694	LH SEED ROW ARM	.....	26
0511057695	LH SEED ROW ARM	.....	27
0511057589	RIGHT ARM FERTILIZER ROW ASSY	.....	28
0511057591	LH FERTILIZER ROW ASSY	.....	29
0511057692	RH SEED ROW ASSY SPA TIT S-0615	.....	30
0511057693	LH SEED ROW ASSY SPA TIT S-0615	.....	31
0521053288	LEFTH SEED ROW ASSY	.....	32
0521053292	RIGTH SEED ROW ASSY	.....	33
0511052024	FAST CLOSING SET	.....	34
0511055690	WHEEL SISTEM	.....	35
0501045114	CHAIN TENSIONER	.....	36
0501059228	ADJUSTMENT LEVER	.....	37
0511055626	BOX ROUND DEPTH ROYAL WITH SPA	.....	38
0511055627	WHEEL ASSY RAYED	.....	39
0511055628	DEPTH WHEEL SYSTEM	.....	40
0511055629	DEPTH WHEEL SYSTEM	.....	41
0511058164	16" COULTER BLADE ASSY	.....	42
0511057592	LH FERTILIZER ROW ARM	.....	43
0511057590	RH FERTILIZER ROW ARM	.....	44
0511056608	TITANIUM SEED SYSTEM	.....	45
0511056585	RIGHT 15" X 15" DOUBLE DISC SEED	.....	46
0501056428	16" CUTTING DISC SEMI-ASSEMBLED	.....	47
0511051693	BASE FIXING SYSTEM	.....	48
0521044460	SYSTEM DEPTH / COMPACTOR	.....	49
0511055327	COMPACTING WHEEL V ASSY RUBBER	.....	50
0511053208	DDD FERTILIZER 15 X 15 RIGHT MINOR	.....	51



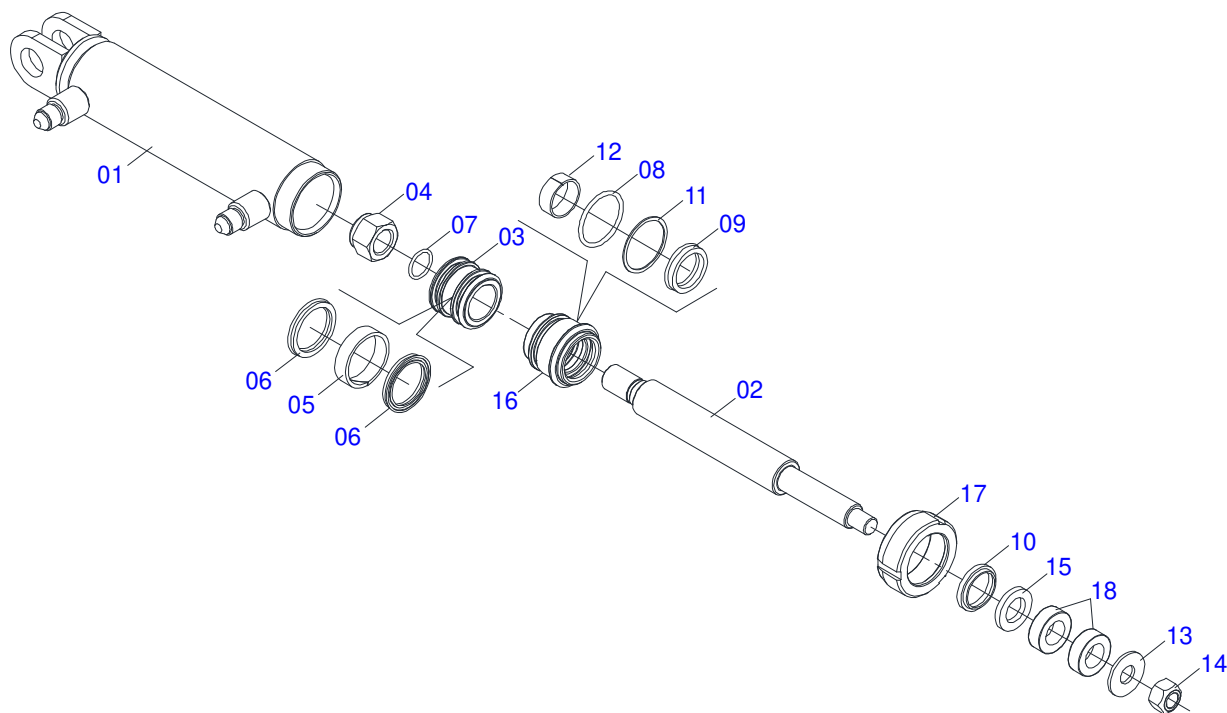
Item	Code	Description	See page	QT
01	0521062567	FRAME		01
02	0503010834	1/2 X 1 BOLT		12
03	0503010025	3/8" SPRING WASHER		10
04	0501010984	FLAT WASHER 10,50 X 27 X 3,00 ZN		10
05	0521062818	LEFT ARM		01
06	0521062819	RIGHT ARM		01
07	0531012400	COUPLING SHAFT		02
08	0503010577	3/16" X 1-1/4" COTTERPIN		04
09	0501069307	ROW MARKER ARM		02
10	0503011070	BEATER		02
11	0551019213	FLAT WASHER		02
12	0503011336	1/2" HEX SELF ADJUSTING NUT		02
13	0521040155	HYDRAULIC CYLINDER 31,75 X 50,8 X 365 X 595	3	02
14	0521010571	COUPLING SHAFT		02
15	0503030012	HITCH PIN CLIP		02
16	0501068994	8,30 X 78 LOCK PIN		02
17	0503030168	HITCH PIN CLIP		04
18	0501080412	3/8" X 90.55" TR-TC HOSE		02
19	0501080469	3/8" X 98.42" TR-TR HOSE ASSY		02
20	0501080852	3/8" X 1500 TR-TM HOSE		02
21	0501053834	MALE QUICK COUPLER		02
22	0502012702	BODY SUPPORT CLAMP		06
23	0503010751	C3/8" X 1.1/4" HEX BOLT G.5		08
24	0571010413	VALVE SUPPORT		01
25	0503010371	5/16" X 1" BOLT		02
26	0501010694	FLAT WASHER		02
27	0503010179	LOCK WASHER		02
28	0503010337	5/16" NUT		02
29	0501054649	HBM SEQUENTIAL VALVE	2	01
30	0501065337	PLOUGH SUPPORT		02
31	0521010530	COUPLING SHAFT		02



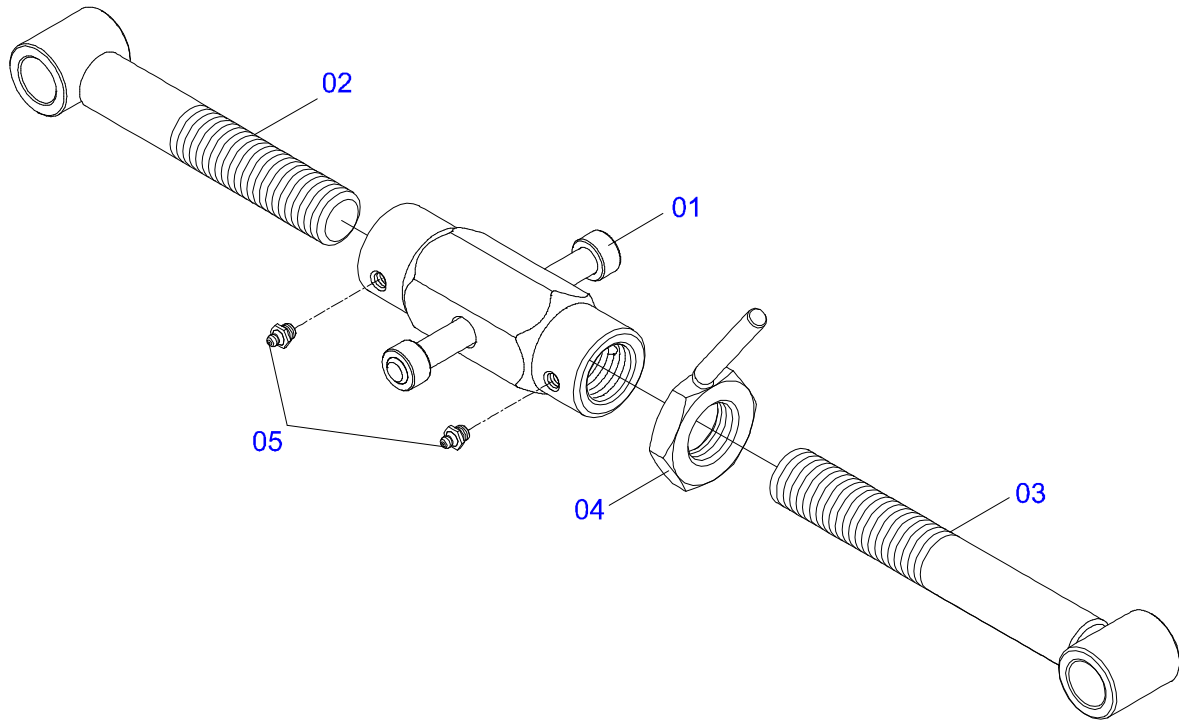
Item	Code	Description	See page	QT
32	0503010140	1/8" X 3/4" COTTERPIN		02
33	0501050633	ROW MARKER DISC ASSEMBLY	5	02
34	0501052586	ESTABILIZER DRAWBAR ASSY	4	01
35	0521063895	HITCH LOWER OFFSET		01
36	0521063894	HITCH LOWER OFFSET		01
37	0511064353	FASTENER		02
38	0501013233	5/8" X 2-3/4" BOLT		08
39	0503010027	5/8" SPRING WASHER		20
40	0503012412	5/8 UNC SELF LOCKING NUT		20
41	0521010580	COUPLING SHAFT		01
42	0521010582	COUPLING SHAFT		03
43	0501011445	FLAT WASHER		05
44	0503030085	LOCK PIN		04
45	0521010809	11,11 X 64 COUPLING SHAFT		02
46	0561019695	TRANSPORT LOCK		02



Item	Code	Description	See page	QT
01	0503060132	VDFS-002 T SEQUENCCEL VALVE		01
02	0501010617	3/4" NIPPLE		02
03	0503010190	2-114 N 3006-9B O'RING		02
04	0501012109	3/4" X 9/16" NIPPLE FITTING		04
05	0503011036	2-111 N 3006-9B O'RING		06
06	0531019339	9/16" UNF X 12 PUMP		02

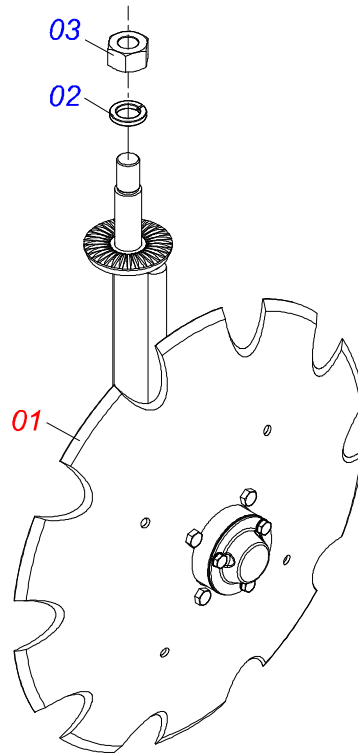


Item	Code	Description	See page	QT
01	0521062810	CYLINDER CASE		01
02	0571010344	31,75 X 456 ROD		01
03	0551019990	31,75 X 50,80 X 39,40 PISTON		01
04	0503010812	7/8" UNF SELF LOCKING NUT		01
05	0503010949	W2-2000-500 PK RING G.E		01
06	0503013920	GASKET 1870-1625		02
07	0503014677	2-118 O'RING		01
08	0503013917	O'RING 2-224		01
09	0503013914	1870-1250-312B GASKET		01
10	0503013915	D-1250 SCRAPER RING		01
11	0503013918	8-224 BACK-UP RING		01
12	0503014683	W1-1400-500 RING GUIDE		01
13	0501012140	FLAT WASHER		01
14	0503012412	5/8 UNC SELF LOCKING NUT		01
15	0571010576	SUPPORT WASHER		01
16	0571011410	RING SUPPORT		01
17	0571011411	MOBILE COVER		01
18	0503033686	SLEEVE 22 X 38 X 12,50 RUBBER		02
19	0501038643	ASSEMBLY		01

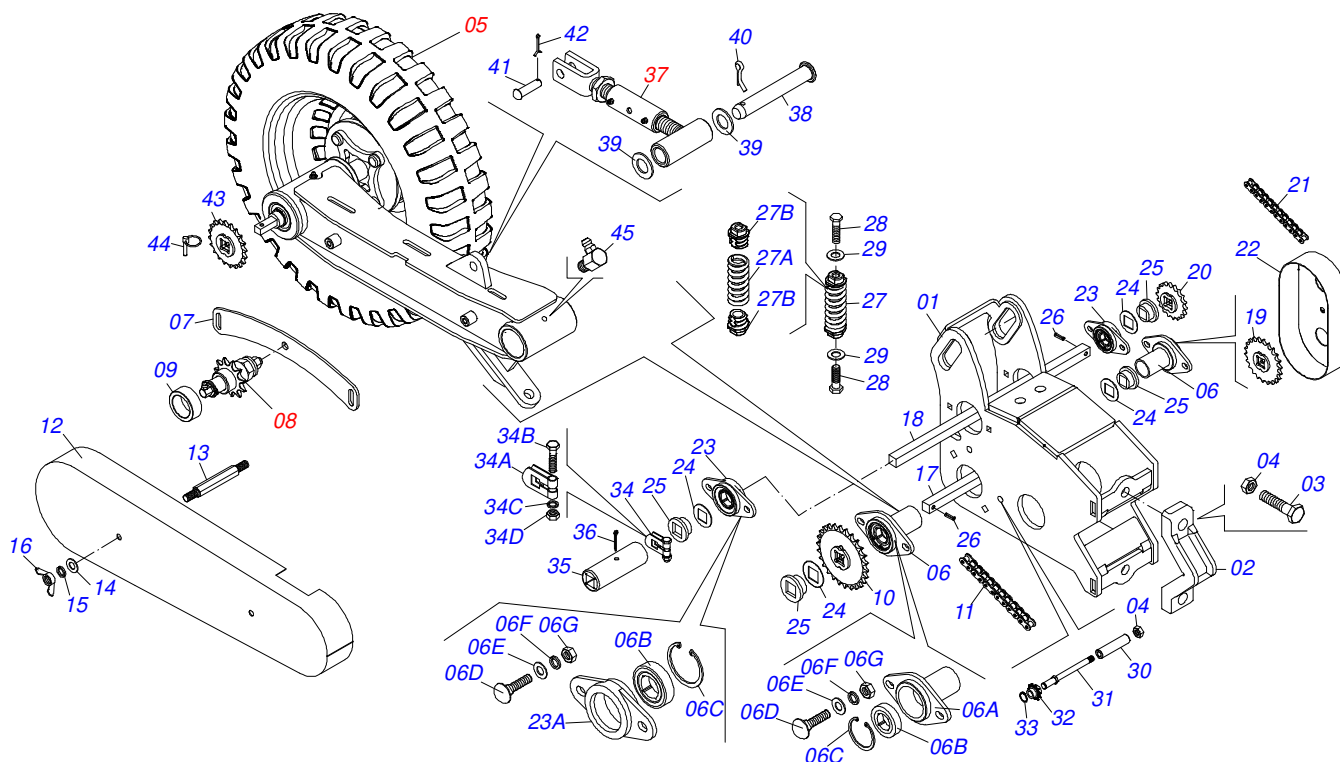


Item	Code	Description	See page	QT
01	0501110096	165 ADJUSTMENT NUT		01
02	0511061503	8.86" RIGTH TURNBUCKLE		01
03	0511061504	8.86" LH TURNBUCKLE		01
04	0501064974	LOCKNUT WITH HANDLER		01
05	0503010002	1800 GREASE FITTING		02





Item	Code	Description	See page	QT
01	0511053904	ROW MARKER DISC		01
02	0503010023	3/4" SPRING WASHER		01
03	0503010014	3/4" NUT		01



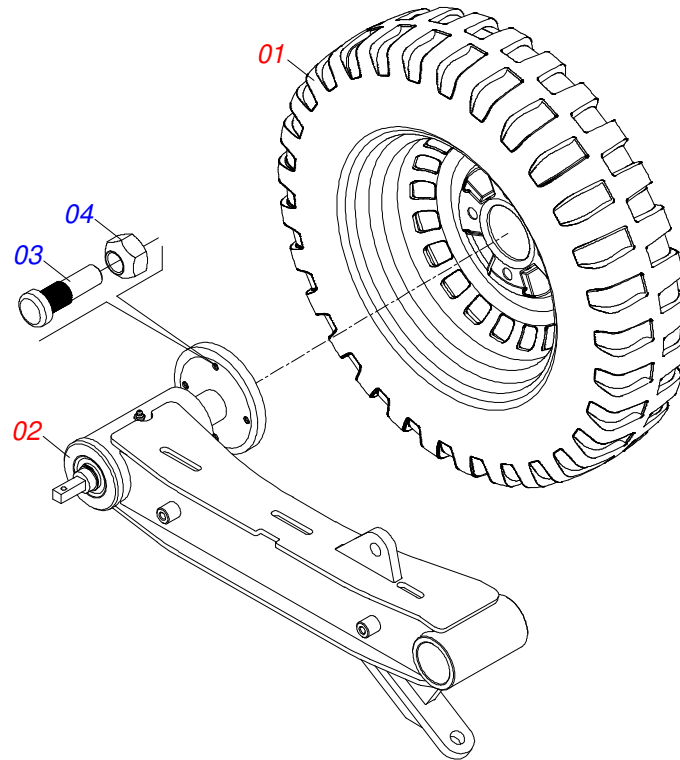
Item	Code	Description	See page	QT
01	0521063583	WHEEL SUPPORT		02
02	0502010175	HITCH CLAMP		02
03	0501011543	5/8" X 4" BOLT		04
04	0503012412	5/8 UNC SELF LOCKING NUT		08
05	0511052484	WHEELS RIGHT	7	01
06	0511051479	BEARING	15	04
06A	0521062809	BEARING		04
06B	0503013462	BEARING WITH BALL BEARING		08
06C	0503011105	SEAL RING		08
06D	0503011953	5/16" X 1" BOLT		08
06E	0501010694	FLAT WASHER		08
06F	0503010179	LOCK WASHER		08
06G	0503010337	5/16" NUT		08
07	0571010967	CHAIN TENSIONER		02
08	0501045114	CHAIN TENSIONER	36	02
09	0561016501	GLOVE 30,50		02
10	0511067501	26Z GEAR		02
11	0503012718	40-1 CHAIN X 111 LINK + MENDING		02
12	0571010830	RIGHT CHAIN COVER		01
13	0561016503	PRISONER 3/8 UNC		06
14	0501010984	FLAT WASHER 10,50 X 27 X 3,00 ZN		08
15	0503010025	3/8" SPRING WASHER		08
16	0503010209	3/8" UNC BUTTERFLY NUT		06
17	0571010341	SQUARE SHAFT		02
18	0571010632	WHEEL DRIVER AXLE		02
19	0521060880	GEAR 22 TEETH		02
20	0511061757	18Z GEAR		02
21	0503018182	40-1 X 39 CHAIN LINK + MENDING		02
22	0561019679	CHAIN CAP		01
23	0501056444	BEARING WITH ROLLING	14	04
23A	0502011697	BEARING OF THE GEAR BOX		04



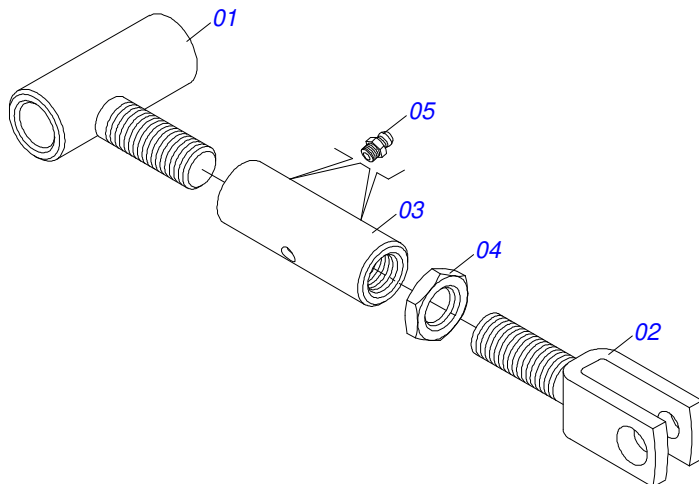
PHT4 TITANIUM  
ASSY RIGHT WHEEL

Page 6  
0909090834

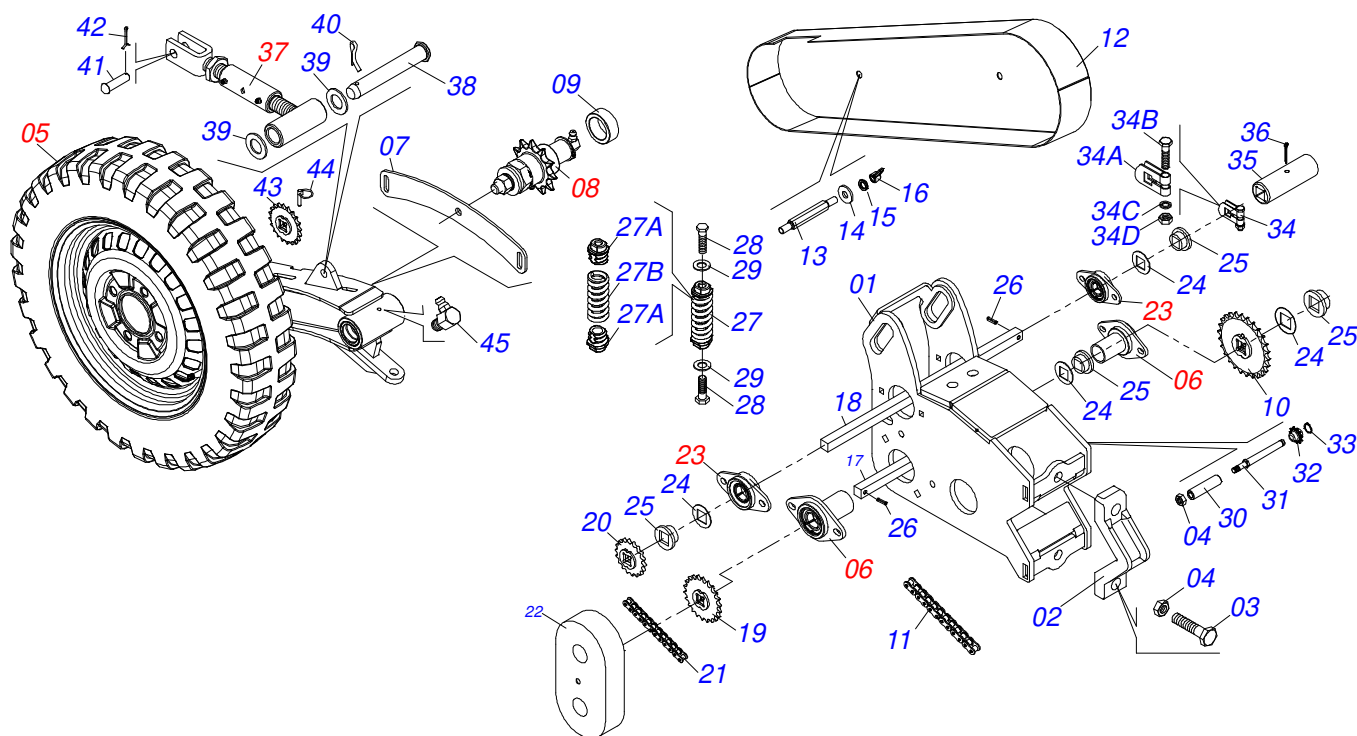
Item	Code	Description	See page	QT
24	0521018630	1.4" X SQUARE 0.8" WASHER		08
25	0503030303	SUPPORT WASHER		08
26	0503010292	0.2" X 1.6" SPRING PIN		12
27	0511057192	EXTENSION SPRING		02
27A	0502011031	SPRING UPPER HITCH		02
27B	0503031681	2.1" X 7.78" EXTENSION SPRING		04
28	0503013030	5/8" X 3.1/4" BOLT		04
29	0501011299	FLAT WASHER		04
30	0571010541	BEATER SLEEVE		02
31	0571010964	TENSIONER CHAIN		02
32	0503031805	11Z 1/2" GEAR		02
33	0503010302	501019 SEAL RING		04
34	0501053788	3/4 SQUARE AXLE FASTENER		02
34A	0521010691	AXLE FASTENER		02
34B	0503010373	SCREW 1/4 UNC X 2 CS G.2 ZN		04
34C	0503010143	1/4" SPRING WASHER		08
34D	0503010144	1/4" NUT		01
35	0502012007	SQUARE SLEEVE		02
36	0503010048	1/4" X 1.3/4" COTTERPIN		02
37	0511052487	TURNBUCKLE	8	02
38	0521010784	COUPLING SHAFT		02
39	0501011445	FLAT WASHER		04
40	0503010571	1/4" X 1.1/2 COTTERPIN		02
41	0521010542	COUPLING SHAFT		02
42	0503010257	1/8" X 1" COTTERPIN		02
43	0511065209	20Z GEAR		01
44	0503030430	7/16 X 2" PIN LOCK		01
45	0503010004	1890 GREASE FITTING		01



Item	Code	Description	See page	QT
01	0503060105	WELL AND TIRE ASSY		01
02	0511052486	WHEEL ARM RIGTH		01
03	0501010127	9/16" X 1-7/8" LUG BOLT		04
04	0503010035	9/16" CONIC NUT		04



Item	Code	Description	See page	QT
01	0521063584	BODY RIGHT TURNBUCKLE		01
02	0521063585	LEFT EXTENSOR BODY		01
03	0541010618	STABILIZER BODY		01
04	0541010087	LOOK NUT		01
05	0503010691	1/4" GREASE FITTING		02

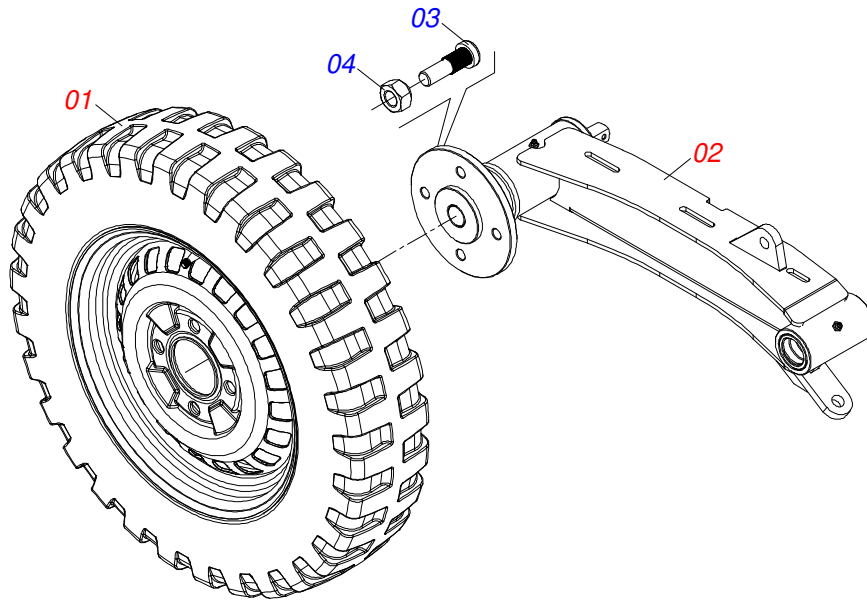


Item	Code	Description	See page	QT
01	0521063583	WHEEL SUPPORT		02
02	0502010175	HITCH CLAMP		02
03	0501011543	5/8" X 4" BOLT		04
04	0503012412	5/8 UNC SELF LOCKING NUT		08
05	0511052483	LEFT CARRYING-WHEELS	10	01
06	0511051479	BEARING	15	04
06A	0521062809	BEARING		04
06B	0503013462	BEARING WITH BALL BEARING		08
06C	0503011105	SEAL RING		08
06D	0503011953	5/16" X 1" BOLT		08
06E	0501010694	FLAT WASHER		08
06F	0503010179	LOCK WASHER		08
06G	0503010337	5/16" NUT		08
07	0571010967	CHAIN TENSIONER		02
08	0501045114	CHAIN TENSIONER	36	02
09	0561016501	GLOVE 30,50		02
10	0511067501	26Z GEAR		02
11	0503012718	40-1 CHAIN X 111 LINK + MENDING		02
12	0561019680	LEFT CHAIN COVER		01
13	0561016503	PRISONER 3/8 UNC		06
14	0501010984	FLAT WASHER 10,50 X 27 X 3,00 ZN		08
15	0503010025	3/8" SPRING WASHER		08
16	0503010209	3/8" UNC BUTTERFLY NUT		06
17	0571010341	SQUARE SHAFT		02
18	0571010632	WHEEL DRIVER AXLE		02
19	0521060880	GEAR 22 TEETH		02
20	0511061757	18Z GEAR		02
21	0503018182	40-1 X 39 CHAIN LINK + MENDING		02
22	0561019679	CHAIN CAP		01
23	0501056444	BEARING WITH ROLLING	14	04
23A	0502011697	BEARING OF THE GEAR BOX		04



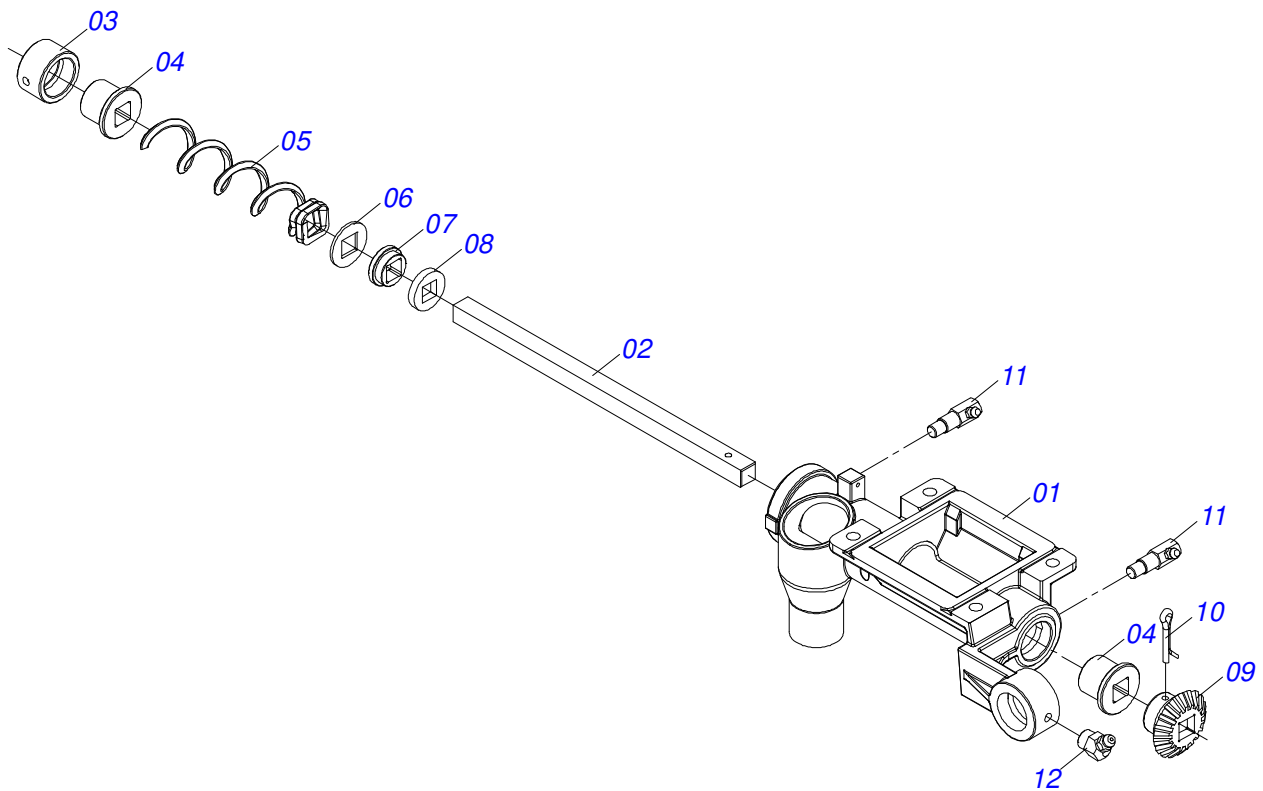
PHT4 TITANIUM  
ASSY LEFT WHEEL

Item	Code	Description	See page	QT
24	0521018630	1.4" X SQUARE 0.8" WASHER		08
25	0503030303	SUPPORT WASHER		08
26	0503010292	0.2" X 1.6" SPRING PIN		12
27	0511057192	EXTENSION SPRING		02
27A	0502011031	SPRING UPPER HITCH		02
27B	0503031681	2.1" X 7.78" EXTENSION SPRING		04
28	0503013030	5/8" X 3.1/4" BOLT		04
29	0501011299	FLAT WASHER		04
30	0571010541	BEATER SLEEVE		02
31	0571010964	TENSIONER CHAIN		02
32	0503031805	11Z 1/2" GEAR		02
33	0503010302	501019 SEAL RING		04
34	0501053788	3/4 SQUARE AXLE FASTENER		02
34A	0521010691	AXLE FASTENER		02
34B	0503010373	SCREW 1/4 UNC X 2 CS G.2 ZN		04
34C	0503010143	1/4" SPRING WASHER		08
34D	0503010144	1/4" NUT		01
35	0502012007	SQUARE SLEEVE		02
36	0503010048	1/4" X 1.3/4" COTTERPIN		02
37	0511052487	TURNBUCKLE	8	02
38	0521010784	COUPLING SHAFT		02
39	0501011445	FLAT WASHER		04
40	0503010571	1/4" X 1.1/2 COTTERPIN		02
41	0521010542	COUPLING SHAFT		02
42	0503010257	1/8" X 1" COTTERPIN		02
43	0511065209	20Z GEAR		01
44	0503030430	7/16 X 2" PIN LOCK		01
45	0503010004	1890 GREASE FITTING		01

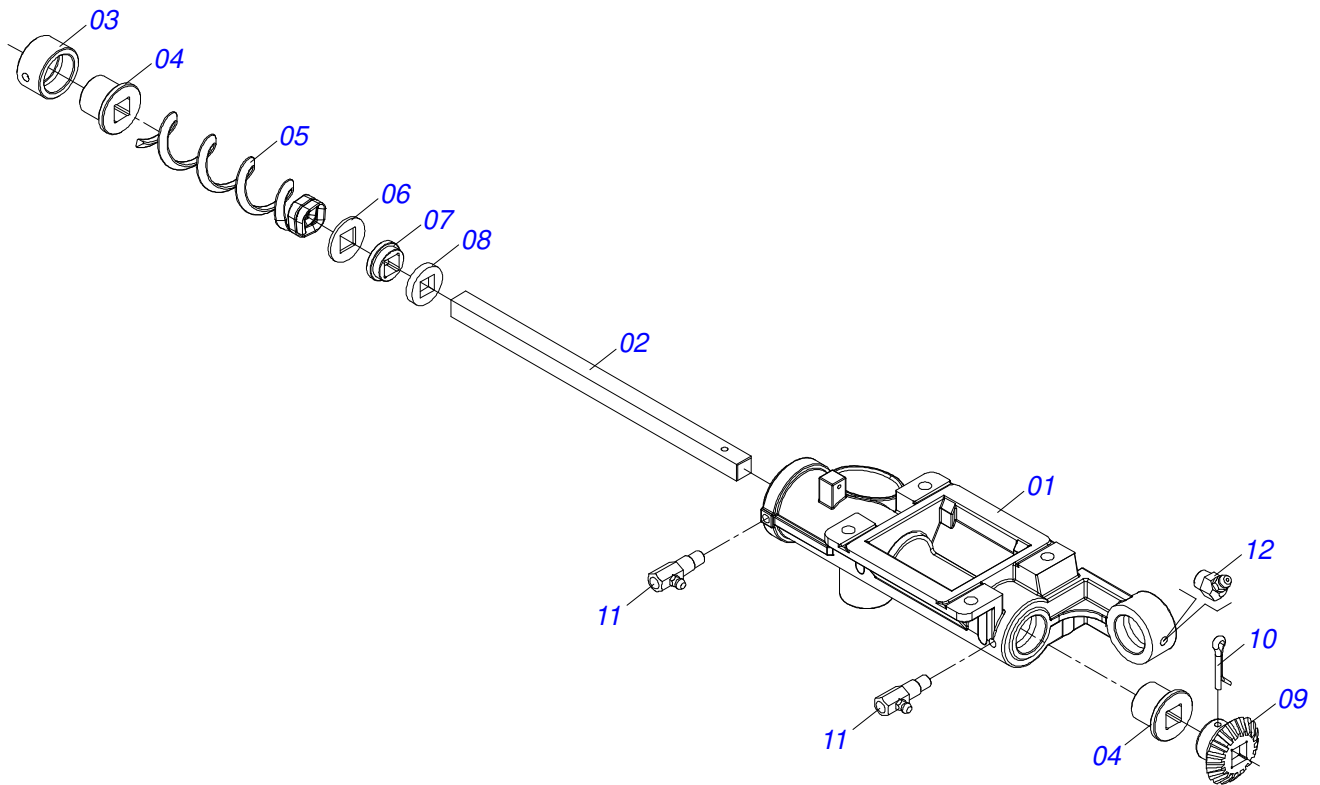


Item	Code	Description	See page	QT
01	0503060105	WELL AND TIRE ASSY		01
02	0511052485	LH WHELLS ARM		01
03	0501010127	9/16" X 1-7/8" LUG BOLT		04
04	0503010035	9/16" CONIC NUT		04

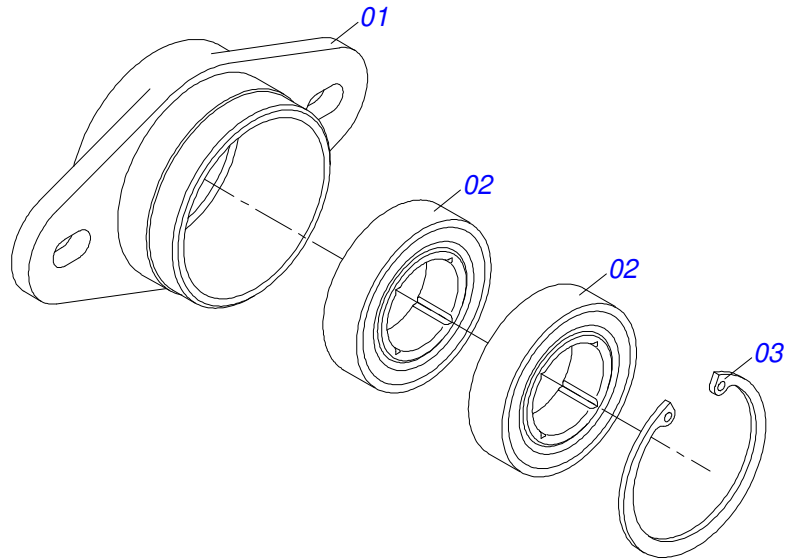




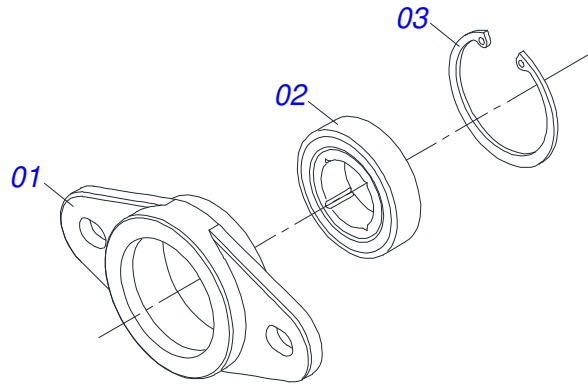
Item	Code	Description	See page	QT
01	0501110691	DISTRIBUTOR FERTILIZER WITH SIDE OUTPUT		01
02	0501019851	DISTRIBUTOR FERTILIZER AXLE		01
03	0521010309	SLEEVE INTER		01
04	0503030275	AGRICULTURAL BEARING		02
05	0503031165	LEFT HELICOÏD CONDUCTOR		01
06	0501010637	FLAT WASHER		01
07	0503030303	SUPPORT WASHER		01
08	0501013774	GREASE SEAL		01
09	0502011412	18Z CONICAL GEAR		01
10	0503010523	1/4" X 2" COTTERPIN		01
11	0503011962	GREASE FITTING		02
12	0503010003	1845 GREASE FITTING		01



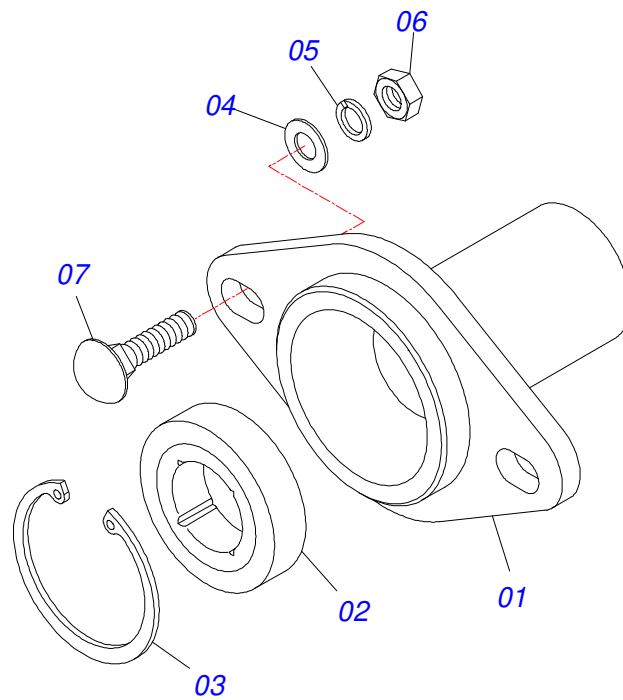
Item	Code	Description	See page	QT
01	0501110690	DISTRIBUTOR FERTILIZER		01
02	0501019851	DISTRIBUTOR FERTILIZER AXLE		01
03	0521010309	SLEEVE INTER		01
04	0503030275	AGRICULTURAL BEARING		02
05	0503031164	RIGHT HELICOID CONDUCTOR		01
06	0501010637	FLAT WASHER		01
07	0503030303	SUPPORT WASHER		01
08	0501013774	GREASE SEAL		01
09	0502011412	18Z CONICAL GEAR		01
10	0503010523	1/4" X 2" COTTERPIN		01
11	0503011962	GREASE FITTING		02
12	0503010003	1845 GREASE FITTING		01



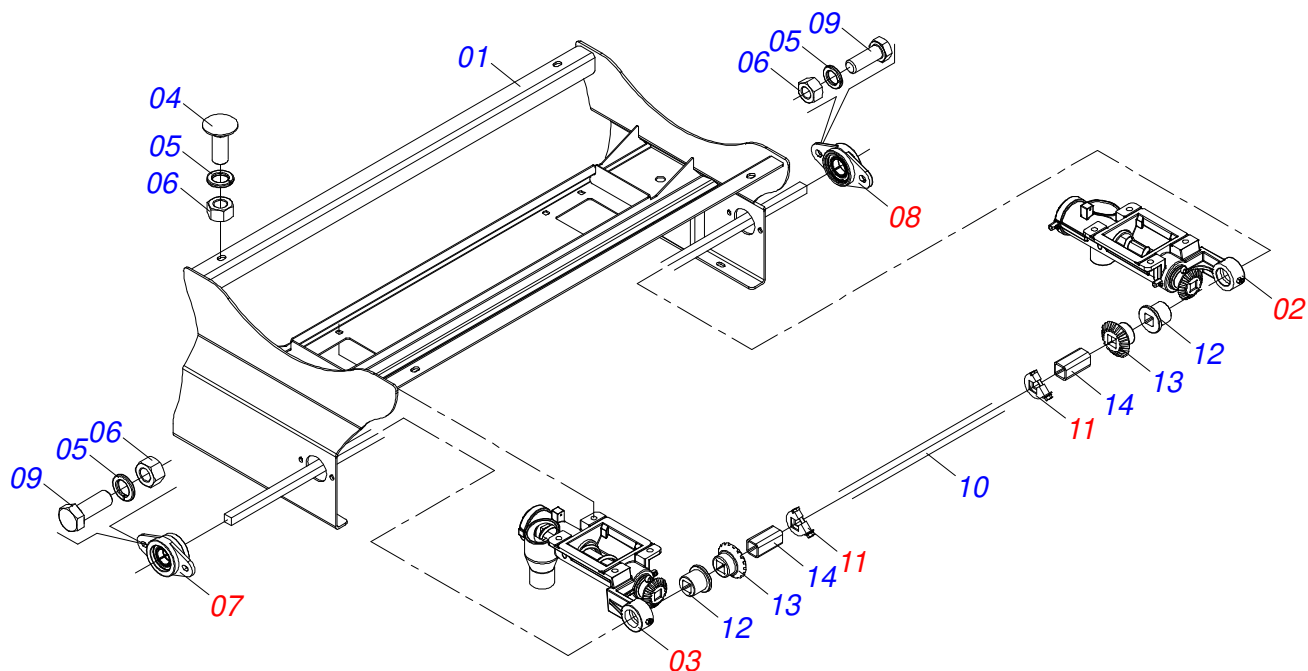
Item	Code	Description	See page	QT
01	0502011971	HOUSING WITH DOUBLE BEARING		01
02	0503013462	BEARING WITH BALL BEARING		02
03	0503011105	SEAL RING		01



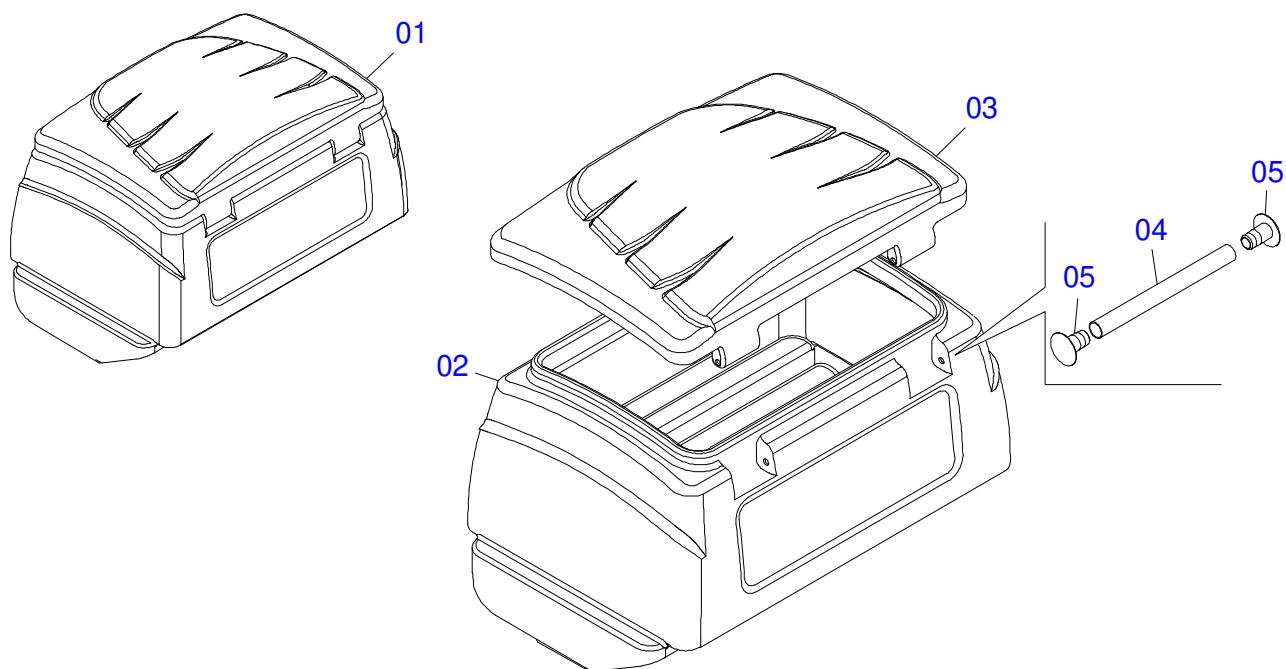
Item	Code	Description	See page	QT
01	0502011697	BEARING OF THE GEAR BOX		01
02	0503013462	BEARING WITH BALL BEARING		01
03	0503011105	SEAL RING		01



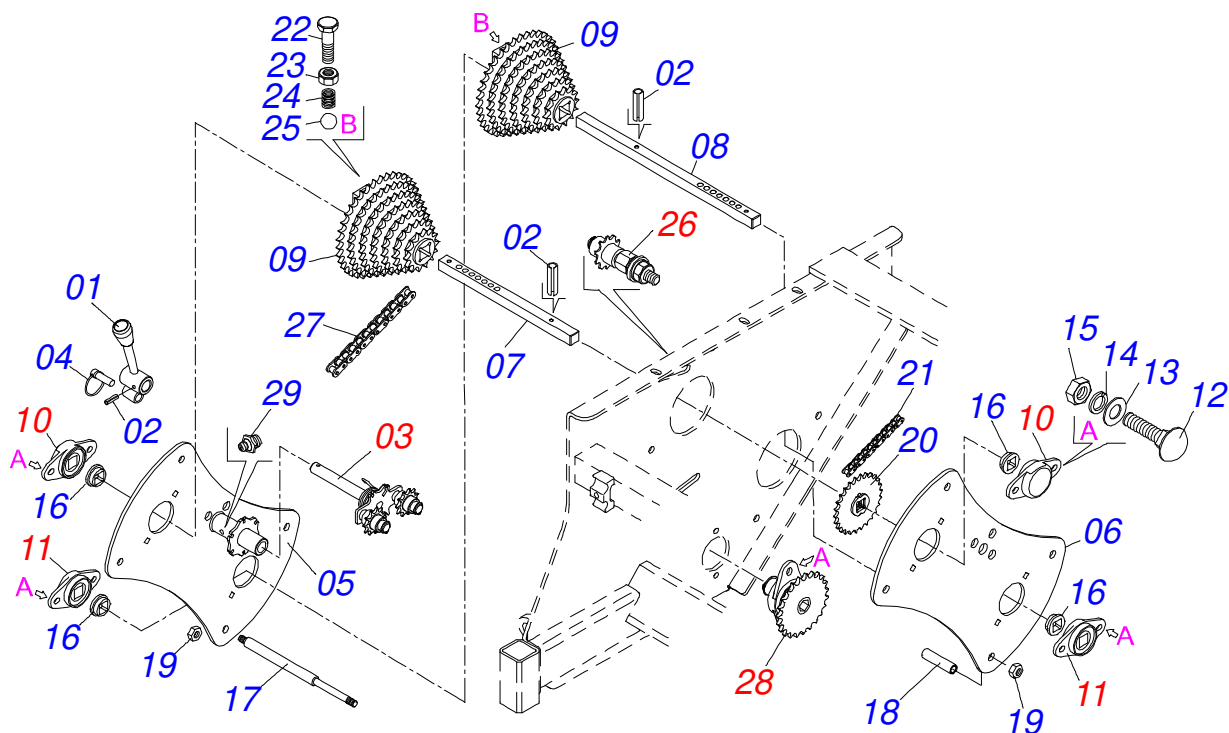
Item	Code	Description	See page	QT
01	0521062809	BEARING		01
02	0503013462	BEARING WITH BALL BEARING		01
03	0503011105	SEAL RING		01
04	0501010694	FLAT WASHER		02
05	0503010179	LOCK WASHER		02
06	0503010337	5/16" NUT		02
07	0503011953	5/16" X 1" BOLT		02



Item	Code	Description	See page	QT
01	0521062960	SUPPORT BIN FERTILIZER BOX PLASTIC		01
02	0511051714	SIDE FERTILIZER DISTRIBUTOR	12	01
03	0511051715	SIDE FERTILIZER DISTRIBUTOR	11	01
04	0501811643	SCREW 3/8 UNC X 1 CAPQ G.2		08
05	0503011443	3/8" SPRING WASHER		12
06	0503810026	3/8" NUT		12
07	0501056444	BEARING WITH ROLLING	14	01
08	0501056451	BEARING	13	01
09	0503810237	3/8 UNC X 1 C S G.5 SA BOLT		04
10	0561018362	SQUARE SHAFT		01
11	0501053788	3/4 SQUARE AXLE FASTENER		02
12	0503030275	AGRICULTURAL BEARING		02
13	1902010685	18Z CONICAL GEAR		02
14	0551018055	22,65 X 60 SLEEVE		02

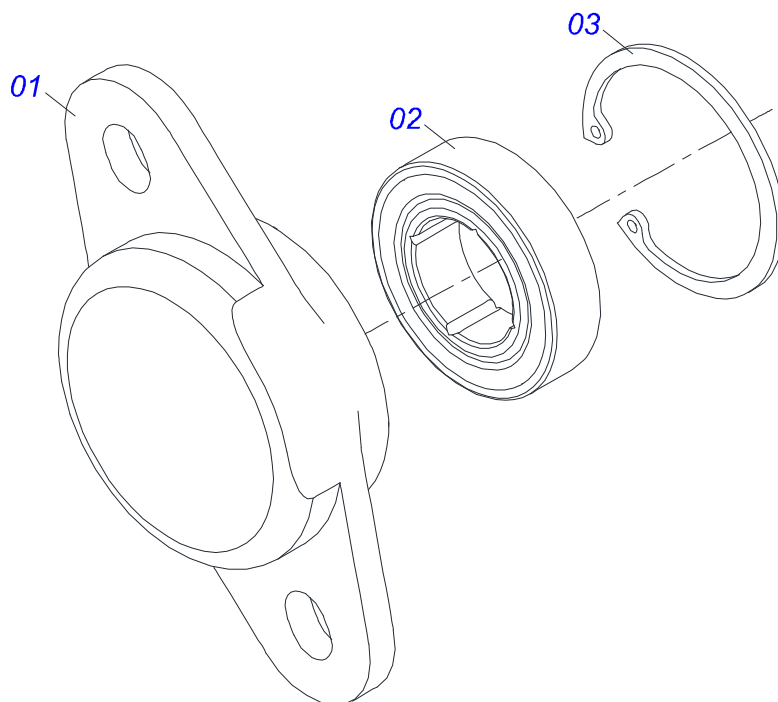


Item	Code	Description	See page	QT
01	0503060693	BOX FERTILIZER ASSY	17	01
02	0503032048	BOX FERTILIZER		01
03	0503032049	FERTILIZER BOX COVER		01
04	0503032052	COVER PIVOT SHAFT		02
05	0503032051	COVER PIVOT SHAFT		04

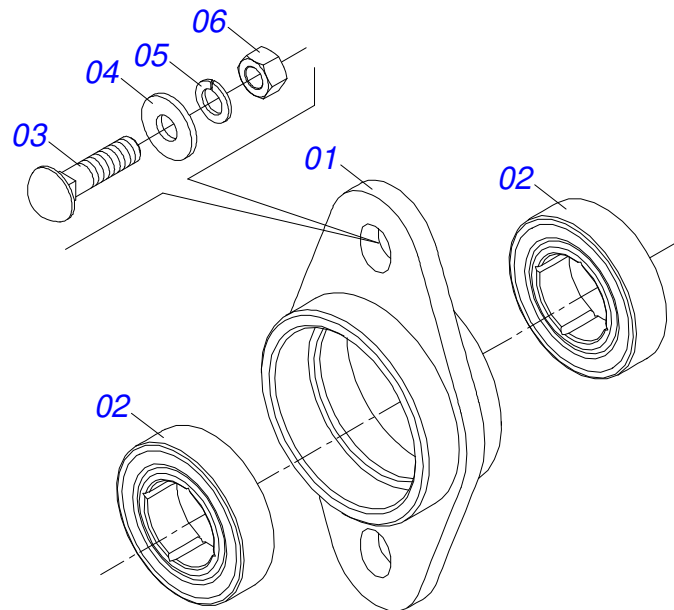


Item	Code	Description	See page	QT
01	0502011758	REAR TENSIONER LEVER		01
02	0503010292	0.2" X 1.6" SPRING PIN		03
03	0501052776	CHAIN TENSIONER RIGHT ASSY GREATEST	22	01
04	0501048790	AXLE WITH RING		01
05	0521062568	SIDE		01
06	0561019671	BODY		01
07	0571010633	GEAR BOX DRIVER AXLE		01
08	0561017353	MOTOR SHAFT		01
09	0511060396	DRIVE/DRIVEN AXLE CONE		02
10	0501056271	GEARBOX CLOSED BEARING	19	03
11	0501056447	CENTRAL DOUBLE GEAR HOUSING BEARING	20	01
12	0503011953	5/16" X 1" BOLT		08
13	0501010694	FLAT WASHER		08
14	0503010179	LOCK WASHER		08
15	0503010337	5/16" NUT		08
16	0503030303	SUPPORT WASHER		04
17	0571010425	JACK		04
18	0571010426	SLEEVE SUPPORT		04
19	0503011336	1/2" HEX SELF ADJUSTING NUT		08
20	0511061830	17Z P 0.5" GEAR SQUARE HOL		01
21	0503014528	40-1 CHAIN X 72 LINK + REDECTION		01
22	0503010751	C3/8" X 1.1/4" HEX BOLT G.5		02
23	0503010060	1/2" NUT		03
24	0503031512	0.4" X 0.1" X 2" X 0.6" SPRING		02
25	0503012389	1/2 BALL		02
26	0501058254	UPPER SEED CHAIN TENSIONER	21	01
27	0503012204	40-1 CHAIN X 82 LINK + RED		01
28	0511051511	BEARING	23	01
29	0503010002	1800 GREASE FITTING		01

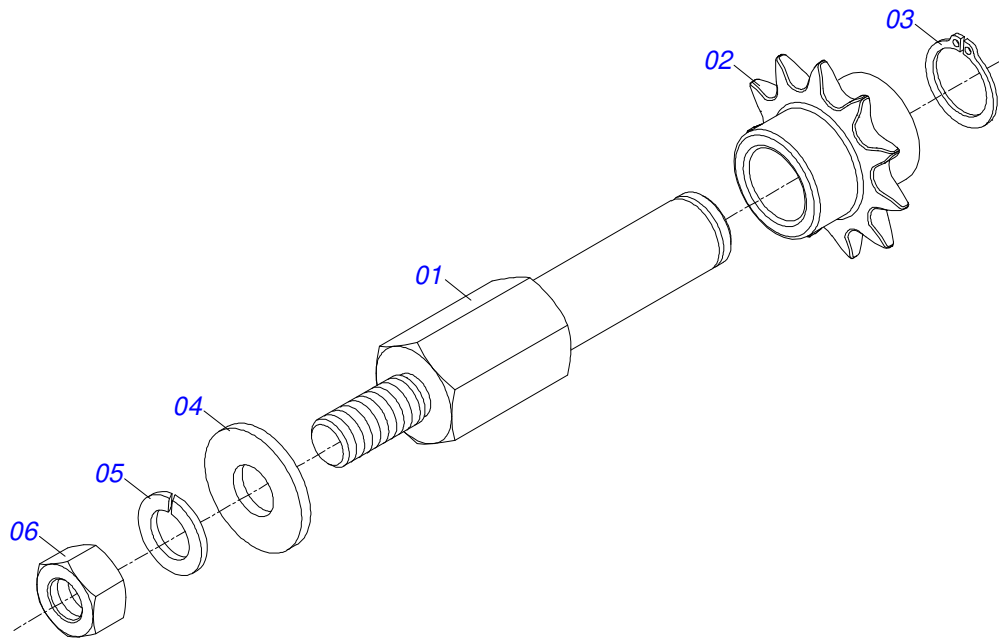




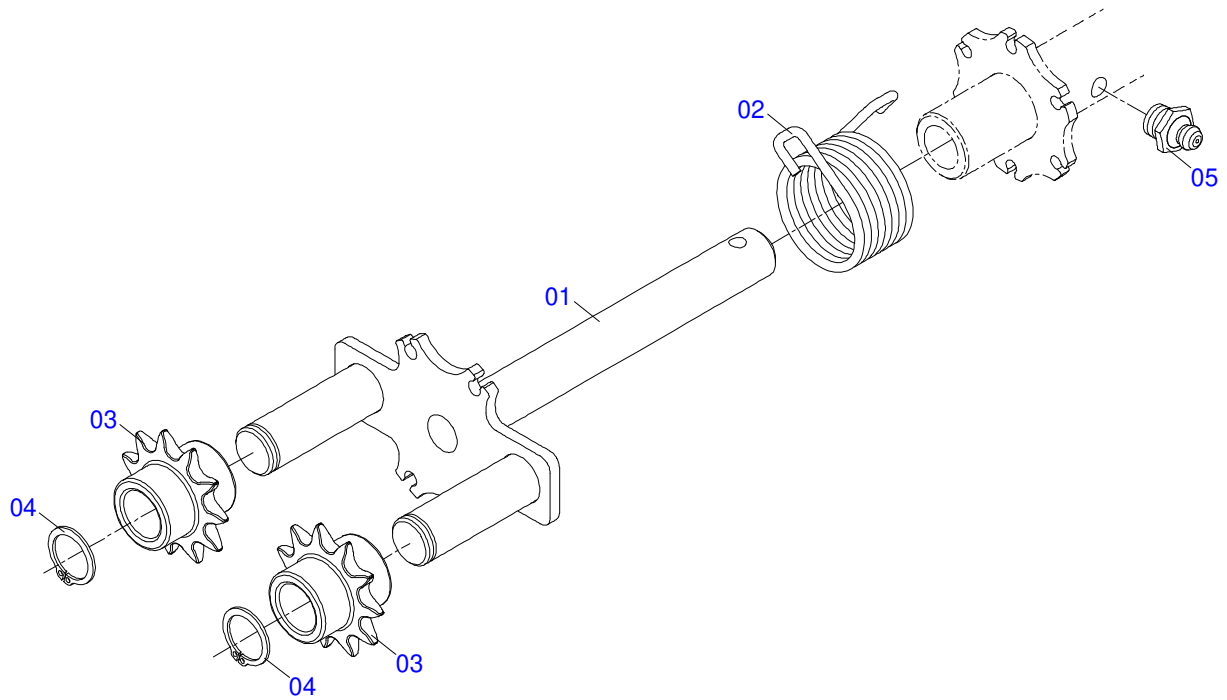
Item	Code	Description	See page	QT
01	0502012310	GEAR BOX CLOSE BEARING		01
02	0503013462	BEARING WITH BALL BEARING		01
03	0503011105	SEAL RING		01



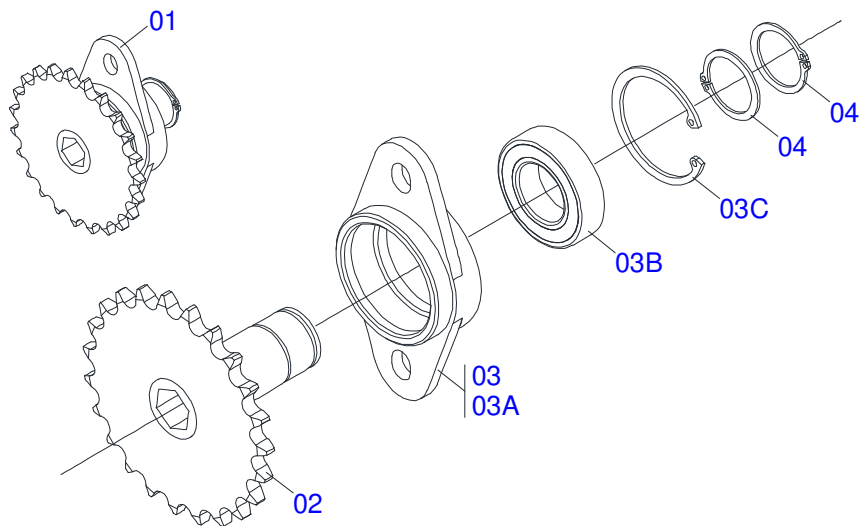
Item	Code	Description	See page	QT
01	0502011978	HOUSING CENTRAL BEARING		01
02	0503013462	BEARING WITH BALL BEARING		02
03	0503011953	5/16" X 1" BOLT		02
04	0501010694	FLAT WASHER		02
05	0503010179	LOCK WASHER		02
06	0503010337	5/16" NUT		02



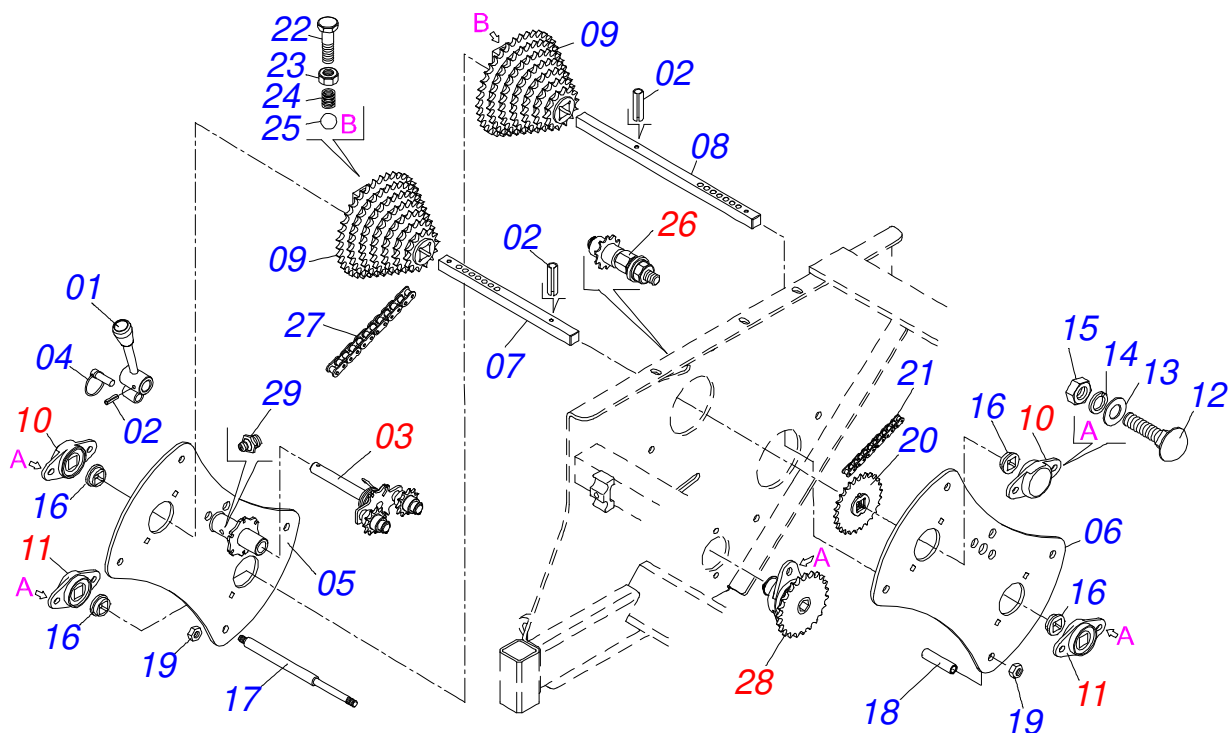
Item	Code	Description	See page	QT
01	0521018933	FERT CHAIN TENSIONER AXLE		01
02	0503031805	11Z 1/2" GEAR		01
03	0503010302	501019 SEAL RING		01
04	0511017302	FLAT WASHER		01
05	0503010019	1/2" SPRING WASHER		01
06	0503010060	1/2" NUT		01



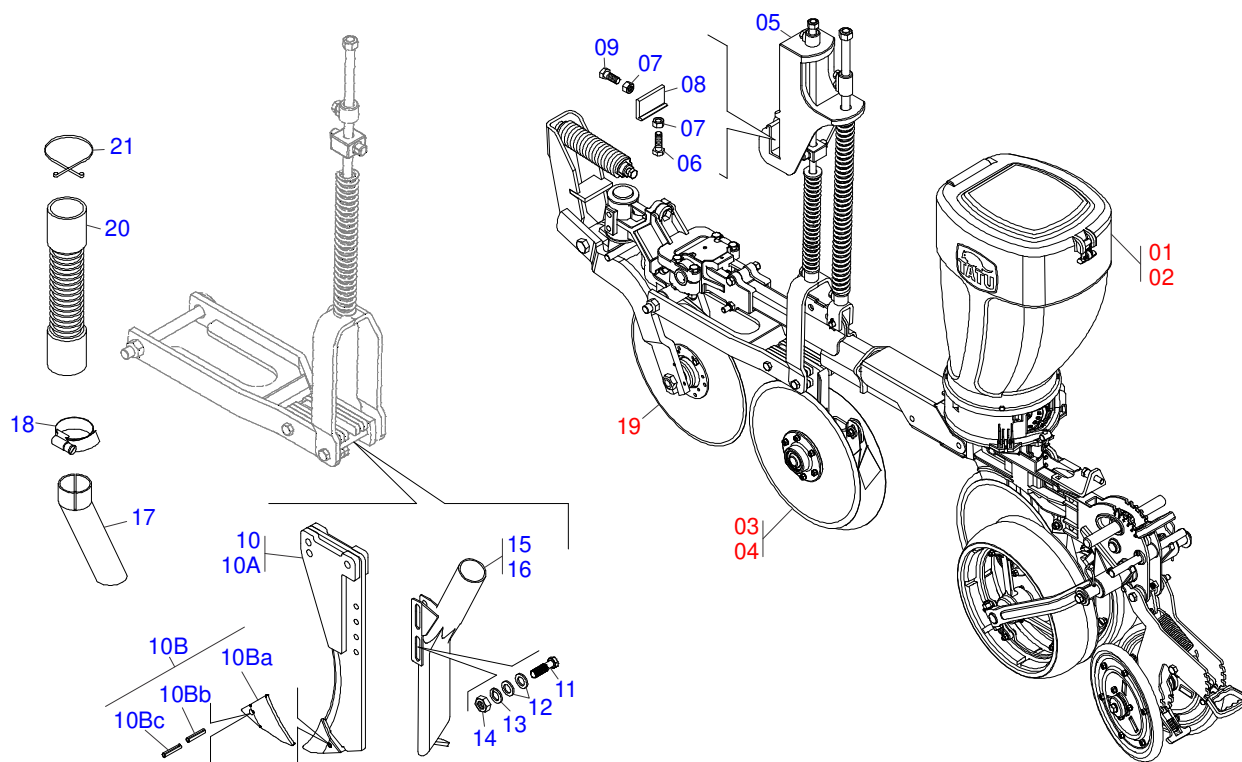
Item	Code	Description	See page	QT
01	0511061794	CHAIN TENSIONER		01
02	0503031367	SPRING		01
03	0503031805	1 1/2" GEAR		02
04	0503010302	501019 SEAL RING		02
05	0503010002	1800 GREASE FITTING		01



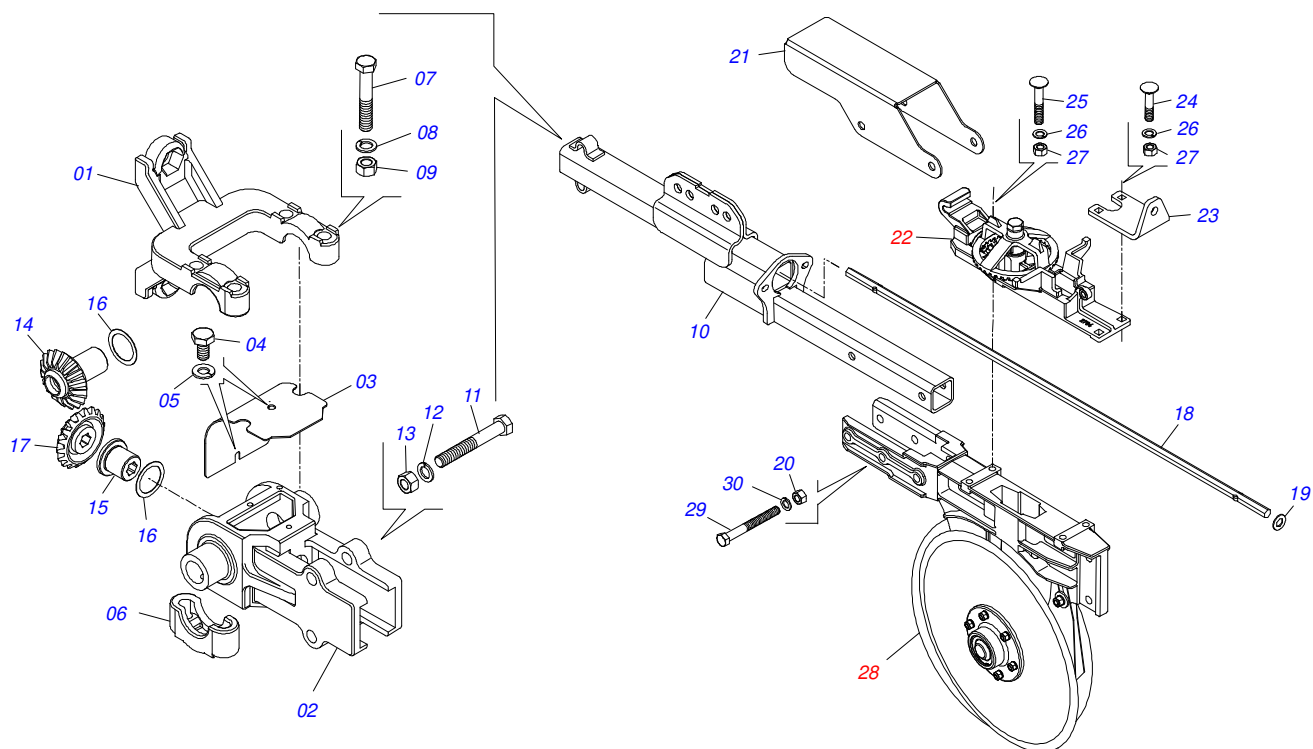
Item	Code	Description	See page	QT
01	0511051511	BEARING	23	01
02	0521062842	23Z GEAR		01
03	0501059059	LARGE BEARING ROW SEED ASSY		01
03A	0502011697	BEARING OF THE GEAR BOX		01
03B	0503011410	ROLLER BEARING		01
03C	0503011105	SEAL RING		01
04	0503010406	501025 CLAMPING RING (FOR AXLE)		02



Item	Code	Description	See page	QT
01	0502011758	REAR TENSIONER LEVER		01
02	0503010292	0.2" X 1.6" SPRING PIN		03
03	0501052776	CHAIN TENSIONER RIGHT ASSY GREATEST	22	01
04	0501048790	AXLE WITH RING		01
05	0521062568	SIDE		01
06	0561019671	BODY		01
07	0571010633	GEAR BOX DRIVER AXLE		01
08	0561017353	MOTOR SHAFT		01
09	0511060396	DRIVE/DRIVEN AXLE CONE		02
10	0501056271	GEARBOX CLOSED BEARING	19	03
11	0501056447	CENTRAL DOUBLE GEAR HOUSING BEARING	20	01
12	0503011953	5/16" X 1" BOLT		09
13	0501010694	FLAT WASHER		09
14	0503010179	LOCK WASHER		09
15	0503010337	5/16" NUT		09
16	0503030303	SUPPORT WASHER		04
17	0571010425	JACK		04
18	0571010426	SLEEVE SUPPORT		04
19	0503011336	1/2" HEX SELF ADJUSTING NUT		08
20	0511067501	26Z GEAR		01
21	0503014528	40-1 CHAIN X 72 LINK + REDECTION		01
22	0503010751	C3/8" X 1.1/4" HEX BOLT G.5		02
23	0503010060	1/2" NUT		03
24	0503031512	0.4" X 0.1" X 2" X 0.6" SPRING		02
25	0503012389	1/2 BALL		02
26	0501058254	UPPER SEED CHAIN TENSIONER	21	01
27	0503012204	40-1 CHAIN X 82 LINK + RED		01
28	0571011451	HEX AXLE		01
29	0511051511	BEARING	23	01
30	0503010002	1800 GREASE FITTING		01

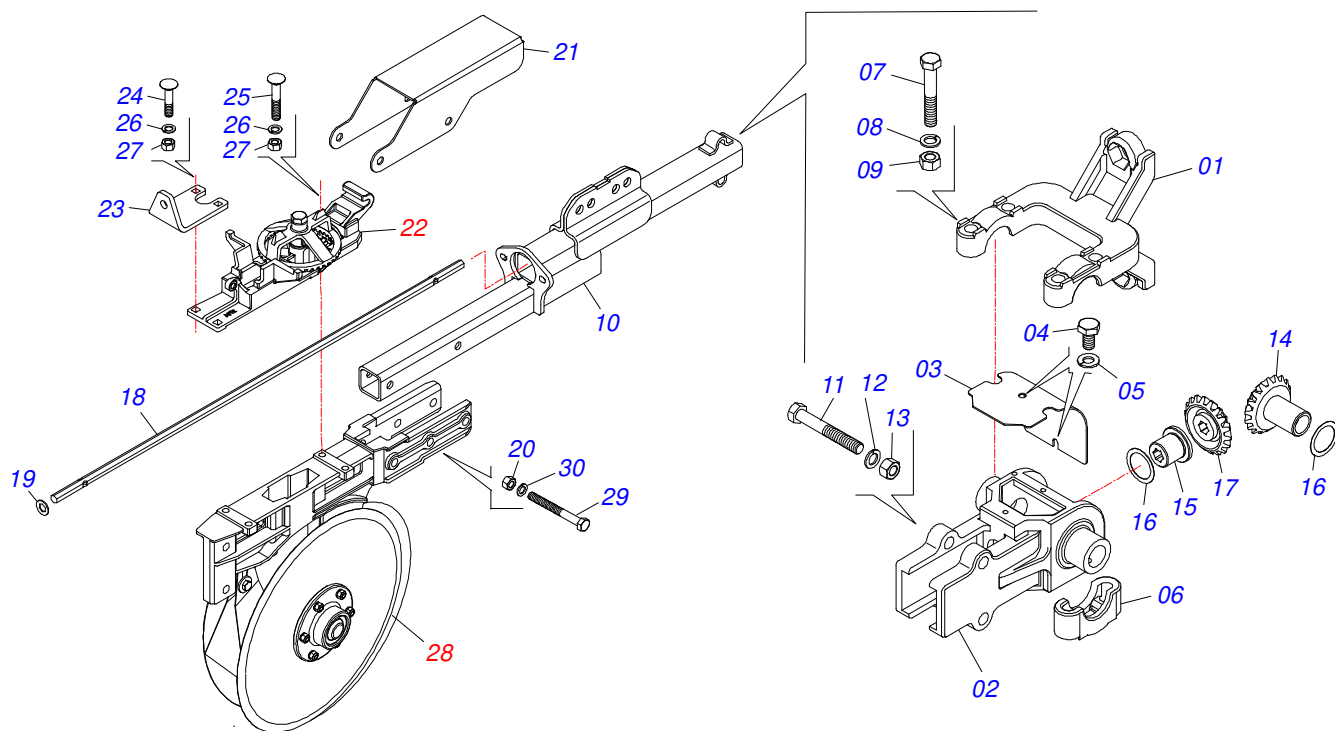


Item	Code	Description	See page	QT
01	0511057692	RH SEED ROW ASSY SPA TIT S-0615	30	01
02	0511057693	LH SEED ROW ASSY SPA TIT S-0615	31	01
03	0511057589	RIGHT ARM FERTILIZER ROW ASSY	28	01
04	0511057591	LH FERTILIZER ROW ASSY	29	01
05	0571011443	ROD GUIDE SUPPORT		01
06	0503010920	1/2" X 1.1/2" BOLT		01
07	0503010060	1/2" NUT		02
08	0502010891	SPRING CHOCK SUPPORT VARON		01
09	0503010395	1/2" X 1-1/4" BOLT		01
10	0501110231	SCARIFIER HEAD WITH SPIKE 0061		01
10A	0511061768	FERTILIZER SCARIFIER ROD		01
10B	0501056132	POINT SUBSOILER		01
10Ba	0502070061	POINT SUBSOILER		01
10Bb	0503010585	0,24" X 1.18" SPRING PIN		01
10Bc	0503011373	0.4" X 1.1" SPRING PIN		01
11	0503010751	C3/8" X 1.1/4" HEX BOLT G.5		02
12	0501010984	FLAT WASHER 10,50 X 27 X 3,00 ZN		04
13	0503010025	3/8" SPRING WASHER		02
14	0503010026	3/8" NUT		02
15	0511061769	RIGHT FERTILIZER CONDUCTOR WITH REGULATOR		01
16	0511061770	LEFT CONDUCTOR FERTILIZER WITH REGULATOR		01
17	0503031050	CURVED CONDUCTOR		01
18	0503010246	CLAMP		01
19	0511058164	16" COULTER BLADE ASSY	42	01
20	0503030195	2" X 2" X 12.2" HOSE		01
21	0503031076	2" HOSE CLAMP		01

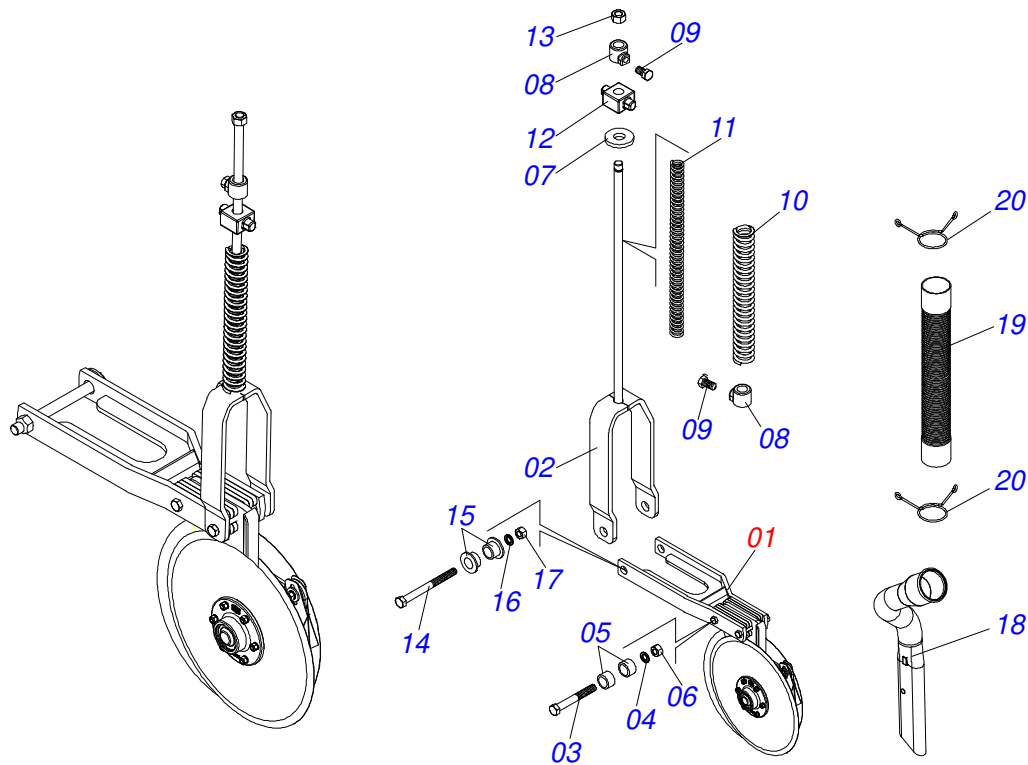


Item	Code	Description	See page	QT
001	0502011561	BEARING SEMI		01
002	0571010152	ROW SEED SUPPORT ARTICULACION		01
003	0521018079	SEEP ROW DRAWBAR COVER		01
004	0503014729	1/4" UNF X 1/2" BOLT		02
005	0503011441	SPRING WASHER		02
006	0502010426	UPPER BEARING SEMI		02
007	0503010479	BOLT		04
008	0503011440	SPRING WASHER		04
009	0503010060	1/2" NUT		04
010	0521066077	SEED ROW ARM		01
011	0503010752	1/2" X 3.1/2" BOLT		02
012	0503011440	SPRING WASHER		02
013	0503010060	1/2" NUT		02
014	0502011400	18Z CONICAL GEAR		01
015	0502011296	1/2 HEX AXLE BEARING SLEEVE		01
016	0501013354	FLAT WASHER		02
017	0502011505	18Z CONICAL GEAR		01
018	0571019912	1/2 X 925 AXLE HEX		01
019	0501013352	FLAT WASHER		01
020	0503010060	1/2" NUT		02
021	0571019911	AXLE PROTECTION COVER		01
022	0511051693	BASE FIXING SYSTEM	48	01
023	0571019424	SUPPORT		01
024	0503015920	3/8" UNC X 1.3/4" BOLT		02
025	0503017813	3/8" X 2" BOLT		02
026	0503011443	3/8" SPRING WASHER		04
027	0503010026	3/8" NUT		04
028	0511056585	RIGHT 15" X 15" DOUBLE DISC SEED	46	01
029	0503010706	BOLT 1/2 UNC X 4.1/2 C S G.5 ZN		02
030	0503011440	SPRING WASHER		02

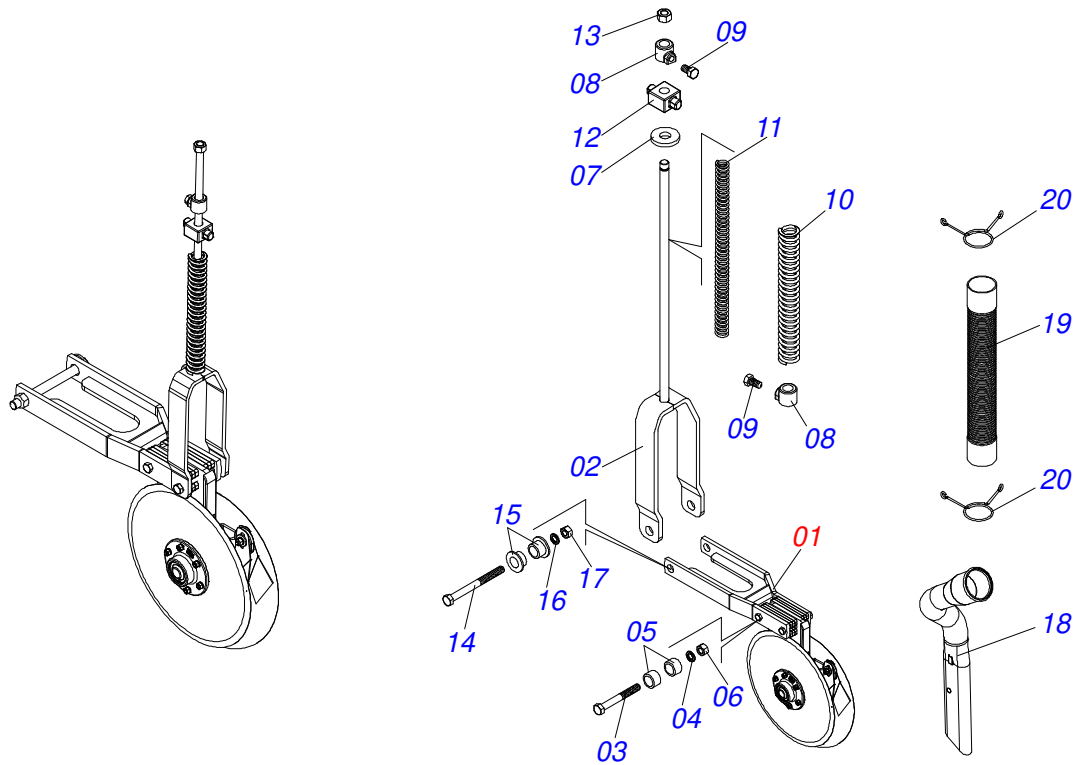




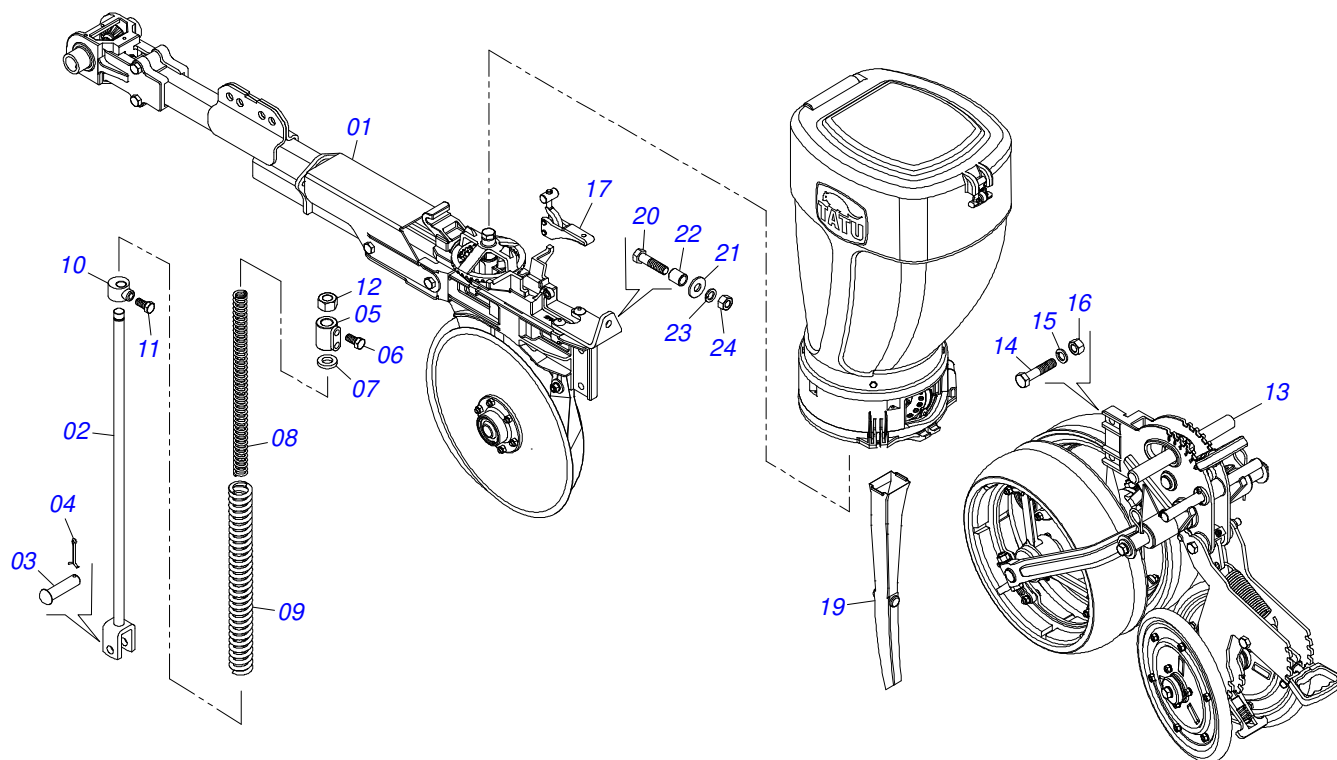
Item	Code	Description	See page	QT
01	0502011561	BEARING SEMI		01
02	0571010152	ROW SEED SUPPORT ARTICULACION		01
03	0521018079	SEEP ROW DRAWBAR COVER		01
04	0503014729	1/4" UNF X 1/2" BOLT		02
05	0503011441	SPRING WASHER		02
06	0502010426	UPPER BEARING SEMI		02
07	0503010479	BOLT		04
08	0503011440	SPRING WASHER		04
09	0503010060	1/2" NUT		04
10	0521066077	SEED ROW ARM		01
11	0503010752	1/2" X 3.1/2" BOLT		02
12	0503011440	SPRING WASHER		02
13	0503010060	1/2" NUT		02
14	0502011400	18Z CONICAL GEAR		01
15	0502011296	1/2 HEX AXLE BEARING SLEEVE		01
16	0501013354	FLAT WASHER		02
17	0502011505	18Z CONICAL GEAR		01
18	0571019912	1/2 X 925 AXLE HEX		01
19	0501013352	FLAT WASHER		01
20	0503010060	1/2" NUT		02
21	0571019911	AXLE PROTECTION COVER		01
22	0511051693	BASE FIXING SYSTEM	48	01
23	0571019424	SUPPORT		01
24	0503015920	3/8" UNC X 1.3/4" BOLT		02
25	0503017813	3/8" X 2" BOLT		02
26	0503011443	3/8" SPRING WASHER		04
27	0503010026	3/8" NUT		04
28	0511056586	15 X 15 SEED DDD LEFT		01
29	0503010706	BOLT 1/2 UNC X 4.1/2 C S G.5 ZN		02
30	0503011440	SPRING WASHER		02



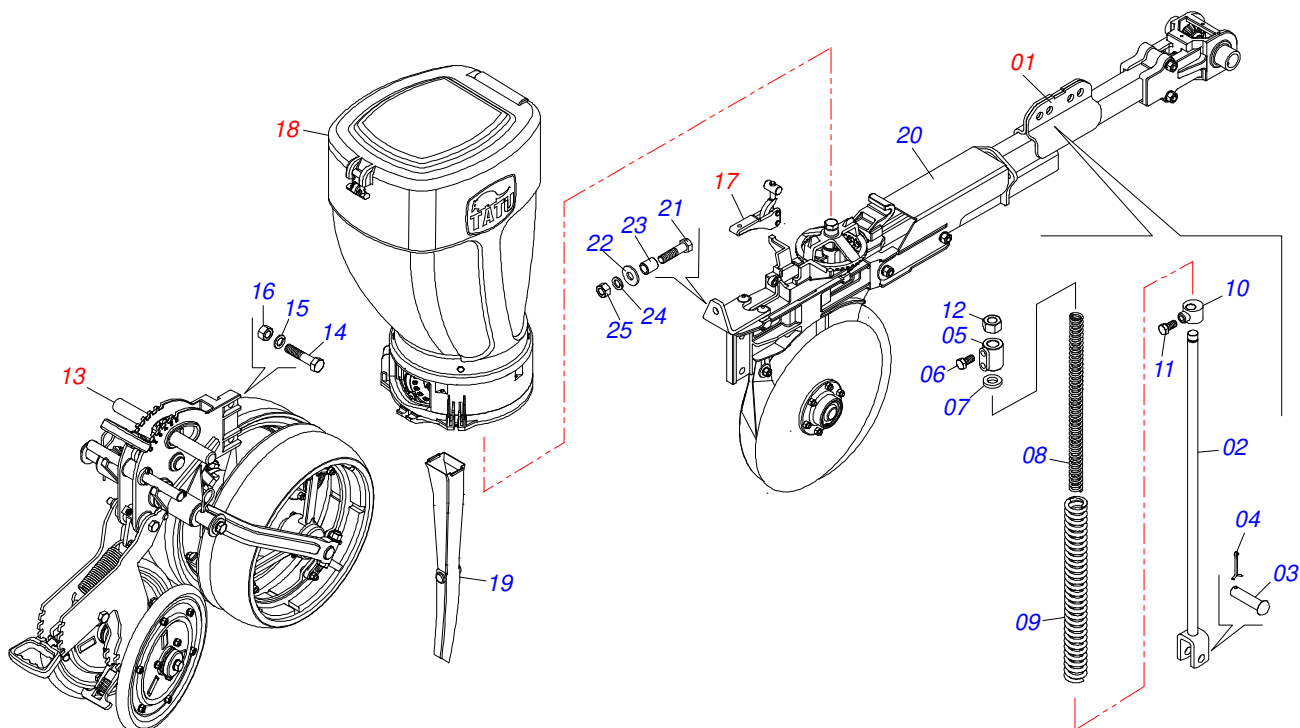
Item	Code	Description	See page	QT
01	0511057590	RH FERTILIZER ROW ARM	44	01
02	0521066715	SPRING GUIDE ROD		01
03	0503011411	1/2" X 5-1/2" BOLT		01
04	0511017302	FLAT WASHER		02
05	0521010445	0.53" X 0.75" X 0.45" SLEEVE		02
06	0503011336	1/2" HEX SELF ADJUSTING NUT		01
07	0501013753	FLAT WASHER		01
08	0502040534	SPRING GUIDE BUSHING LOCK		01
09	0501018535	1/2 X 1 BOLT		01
10	0503030609	1"X11.81"X 0.16" COMPRESSION SPRING		01
11	0503030917	1.6"X11.8"X 0.2" COMPRESSION SPRING		01
12	0502011538	SPRING GUIDE		01
13	0503010013	5/8" NUT		01
14	0511016281	3/4" X 8" BOLT		01
15	0521018797	0.7" X 1" X .55" SLEEVE		02
16	0511017232	FLAT WASHER		02
17	0503011255	3/4" LOCK NUT		01
18	0503030391	RIGHT FERTILIZER NOZZLE		01
19	0503030408	2X2X390 HOSE		01
20	0503031076	2" HOSE CLAMP		02



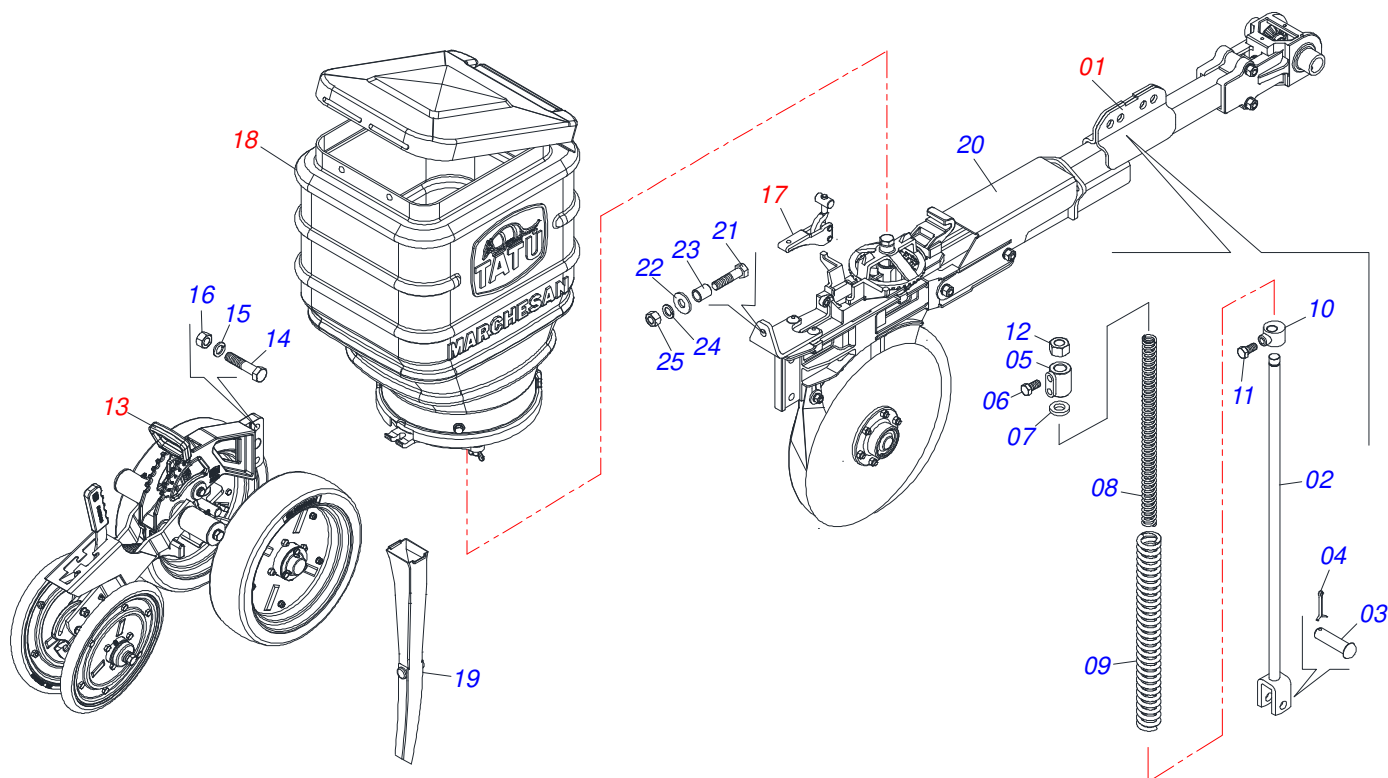
Item	Code	Description	See page	QT
01	0511057592	LH FERTILIZER ROW ARM	43	01
02	0521066715	SPRING GUIDE ROD		01
03	0503011411	1/2" X 5-1/2" BOLT		01
04	0511017302	FLAT WASHER		02
05	0521010445	0.53" X 0.75" X 0.45" SLEEVE		02
06	0503011336	1/2" HEX SELF ADJUSTING NUT		01
07	0501013753	FLAT WASHER		01
08	0502040534	SPRING GUIDE BUSHING LOCK		01
09	0501018535	1/2 X 1 BOLT		01
10	0503030609	1"X11.81"X 0.16" COMPRESSION SPRING		01
11	0503030917	1.6"X11.8"X 0.2" COMPRESSION SPRING		01
12	0502011538	SPRING GUIDE		01
13	0503010013	5/8" NUT		01
14	0511016281	3/4" X 8" BOLT		01
15	0521018797	0.7" X 1" X .55" SLEEVE		02
16	0511017232	FLAT WASHER		02
17	0503011255	3/4" LOCK NUT		01
18	0503030392	LEFT FERTILIZER NOZZLE		01
19	0503030408	2X2X390 HOSE		01
20	0503031076	2" HOSE CLAMP		02



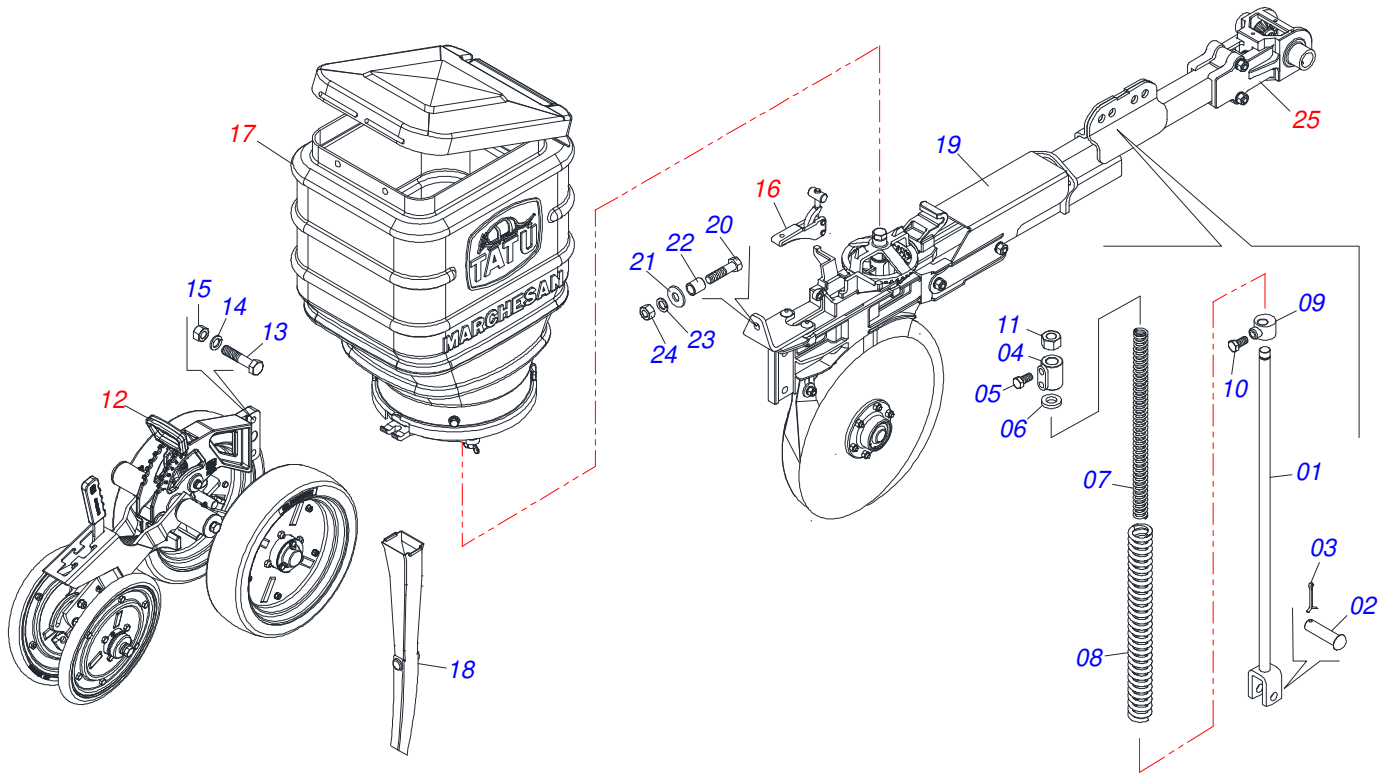
Item	Code	Description	See page	QT
01	0511057694	LH SEED ROW ARM	26	01
02	0521062824	SPINDLE GUIDE		01
03	0521010542	COUPLING SHAFT		01
04	0503010257	1/8" X 1" COTTERPIN		01
05	0521062825	LOCK VARON GUIDE		01
06	0503010834	1/2 X 1 BOLT		02
07	0531019915	FLAT WASHER		01
08	0503031359	1"X15.75"X0.15" COMPRESSION SPRING		01
09	0503031360	1.68"X17.75"X0.3" COMPRESS SPRING		01
10	0502040534	SPRING GUIDE BUSHING LOCK		01
11	0501018535	1/2 X 1 BOLT		01
12	0503010335	3/4"NUT		01
13	0521044460	SYSTEM DEPTH / COMPACTOR	49	01
14	0503010905	1/2" X 2-1/4" BOLT		02
15	0503010019	1/2" SPRING WASHER		02
16	0503010060	1/2" NUT		02
17	0511052024	FAST CLOSING SET	34	01
18	0511056608	TITANIUM SEED SYSTEM	45	01
19	0503033672	NOZZLE WITHOUT TITANIUM		01
20	0503010740	BOLT 1/2 UNC X 2 CS G.5 ZN		01
21	0511017302	FLAT WASHER		01
22	0521010505	13,50 X 19,00 X 21,50 SLEEVE		01
23	0503010019	1/2" SPRING WASHER		01
24	0503010060	1/2" NUT		01



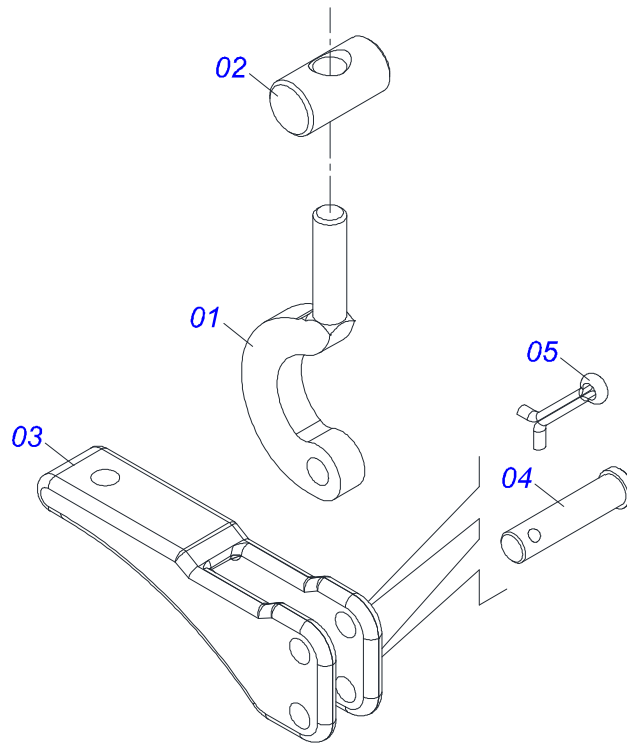
Item	Code	Description	See page	QT
01	0511057695	LH SEED ROW ARM	27	01
02	0521062824	SPINDLE GUIDE		01
03	0521010542	COUPLING SHAFT		01
04	0503010257	1/8" X 1" COTTERPIN		01
05	0521062825	LOCK VARON GUIDE		01
06	0503010834	1/2 X 1 BOLT		02
07	0531019915	FLAT WASHER		01
08	0503031359	1"X15.75"X0.15" COMPRESSION SPRING		01
09	0503031360	1.68"X17.75"X0.3" COMPRESS SPRING		01
10	0502040534	SPRING GUIDE BUSHING LOCK		01
11	0501018535	1/2 X 1 BOLT		01
12	0503010335	3/4"NUT		01
13	0521044460	SYSTEM DEPTH / COMPACTOR	49	01
14	0503010905	1/2" X 2-1/4" BOLT		02
15	0503010019	1/2" SPRING WASHER		02
16	0503010060	1/2" NUT		02
17	0511052024	FAST CLOSING SET	34	01
18	0511056608	TITANIUM SEED SYSTEM	45	01
19	0503033672	NOZZLE WITHOUT TITANIUM		01
20	0571019911	AXLE PROTECTION COVER		01
21	0503010740	BOLT 1/2 UNC X 2 CS G.5 ZN		01
22	0511017302	FLAT WASHER		01
23	0521010505	13,50 X 19,00 X 21,50 SLEEVE		01
24	0503010019	1/2" SPRING WASHER		01
25	0503010060	1/2" NUT		01



Item	Code	Description	See page	QT
001	0511057695	LH SEED ROW ARM	27	01
002	0521062824	SPINDLE GUIDE		01
003	0521010542	COUPLING SHAFT		01
004	0503010257	1/8" X 1" COTTERPIN		01
005	0521062825	LOCK VARON GUIDE		01
006	0503010834	1/2 X 1 BOLT		02
007	0531019915	FLAT WASHER		01
008	0503031359	1"X15.75"X0.15" COMPRESSION SPRING		01
009	0503031360	1.68"X17.75"X0.3" COMPRESS SPRING		01
010	0502040534	SPRING GUIDE BUSHING LOCK		01
011	0501018535	1/2 X 1 BOLT		01
012	0503010335	3/4"NUT		01
013	0521046122	DEPTH SYSTEM / COMPACTOR ASSY		01
014	0503010905	1/2" X 2-1/4" BOLT		02
015	0503010019	1/2" SPRING WASHER		02
016	0503010060	1/2" NUT		02
017	0511052024	FAST CLOSING SET	34	01
018	0511057017	SEED SYSTEM ASSY		01
019	0503033672	NOZZLE WITHOUT TITANIUM		01
020	0571019911	AXLE PROTECTION COVER		01
021	0503010740	BOLT 1/2 UNC X 2 CS G.5 ZN		01
022	0511017302	FLAT WASHER		01
023	0521010505	13,50 X 19,00 X 21,50 SLEEVE		01
024	0503010019	1/2" SPRING WASHER		01
025	0503010060	1/2" NUT		01

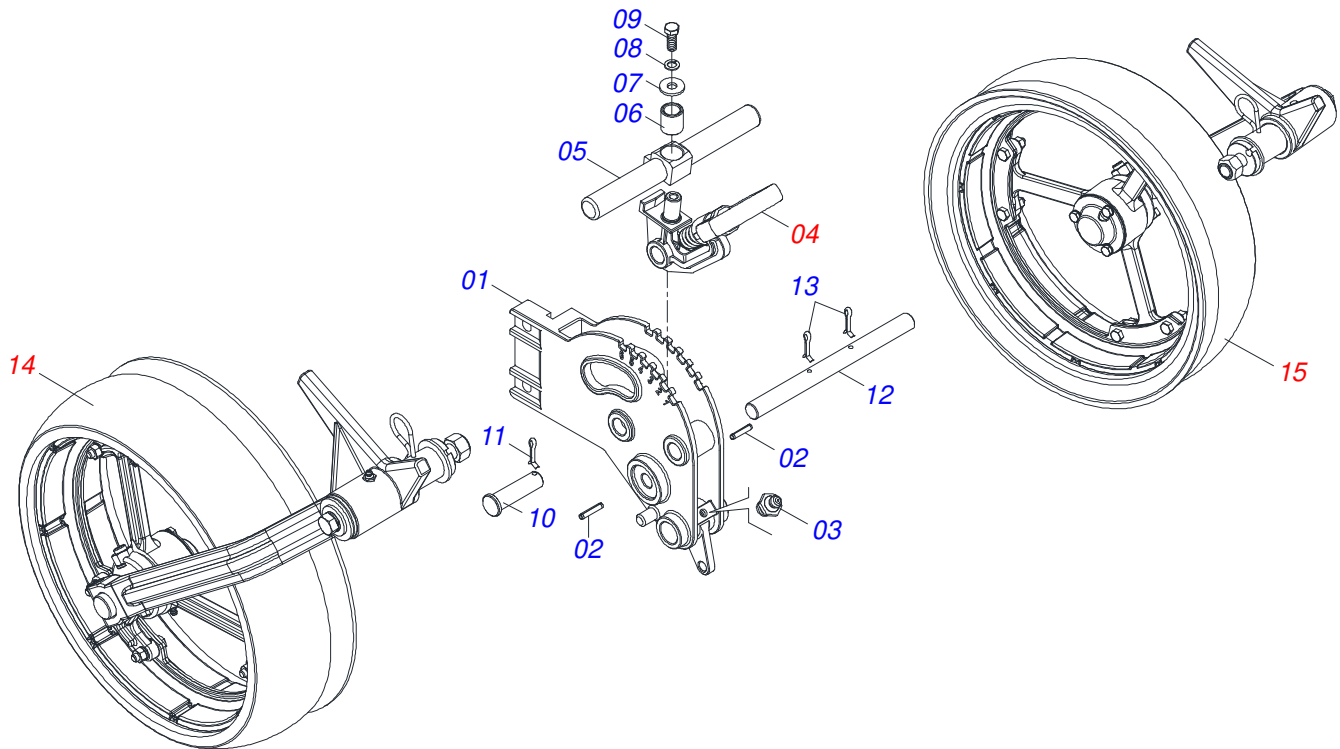


Item	Code	Description	See page	QT
001	0521062824	SPINDLE GUIDE		01
002	0521010542	COUPLING SHAFT		01
003	0503010257	1/8" X 1" COTTERPIN		01
004	0521062825	LOCK VARON GUIDE		01
005	0503010834	1/2 X 1 BOLT		02
006	0531019915	FLAT WASHER		01
007	0503031359	1"X15.75"X0.15" COMPRESSION SPRING		01
008	0503031360	1.68"X17.75"X0.3" COMPRESS SPRING		01
009	0502040534	SPRING GUIDE BUSHING LOCK		01
010	0501018535	1/2 X 1 BOLT		01
011	0503010335	3/4"NUT		01
012	0521046122	DEPTH SYSTEM / COMPACTOR ASSY		01
013	0503010905	1/2" X 2-1/4" BOLT		02
014	0503010019	1/2" SPRING WASHER		02
015	0503010060	1/2" NUT		02
016	0511052024	FAST CLOSING SET	34	01
017	0511057017	SEED SYSTEM ASSY		01
018	0503033672	NOZZLE WITHOUT TITANIUM		01
019	0571019911	AXLE PROTECTION COVER		01
020	0503010740	BOLT 1/2 UNC X 2 CS G.5 ZN		01
021	0511017302	FLAT WASHER		01
022	0521010505	13,50 X 19,00 X 21,50 SLEEVE		01
023	0503010019	1/2" SPRING WASHER		01
024	0503010060	1/2" NUT		01
025	0511057694	LH SEED ROW ARM	26	01

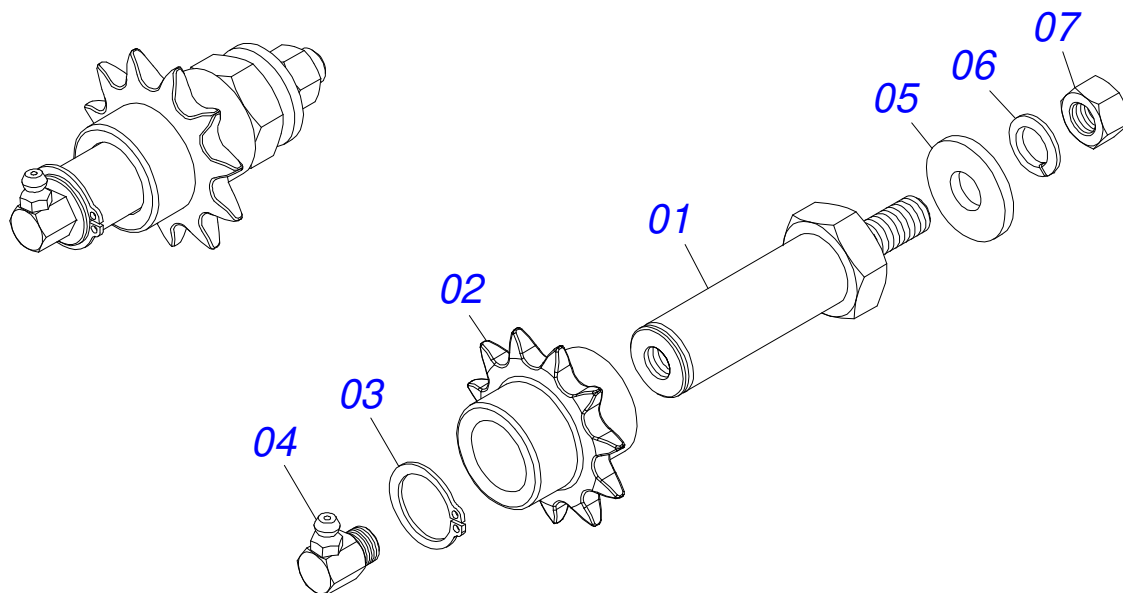


Item	Code	Description	See page	QT
01	0571011803	PRISONER CLOSE FAST		01
02	0571011804	FAST BOLT ADJUSTMENT		01
03	0502012744	SPEED LOCK LEVER ASSY		01
04	0571014024	FAST BOLT GUIDE AXLE		02
05	0503010140	1/8" X 3/4" COTTERPIN		02

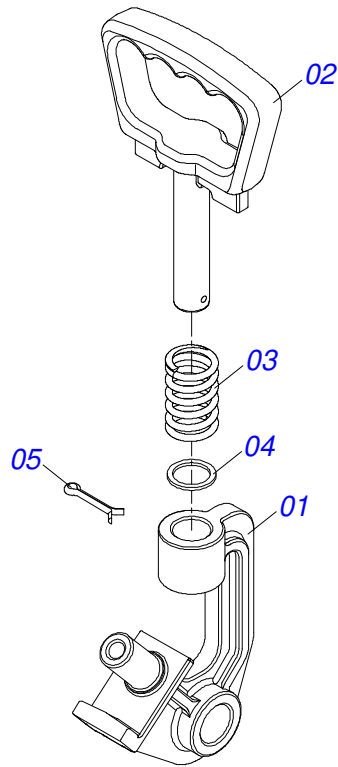




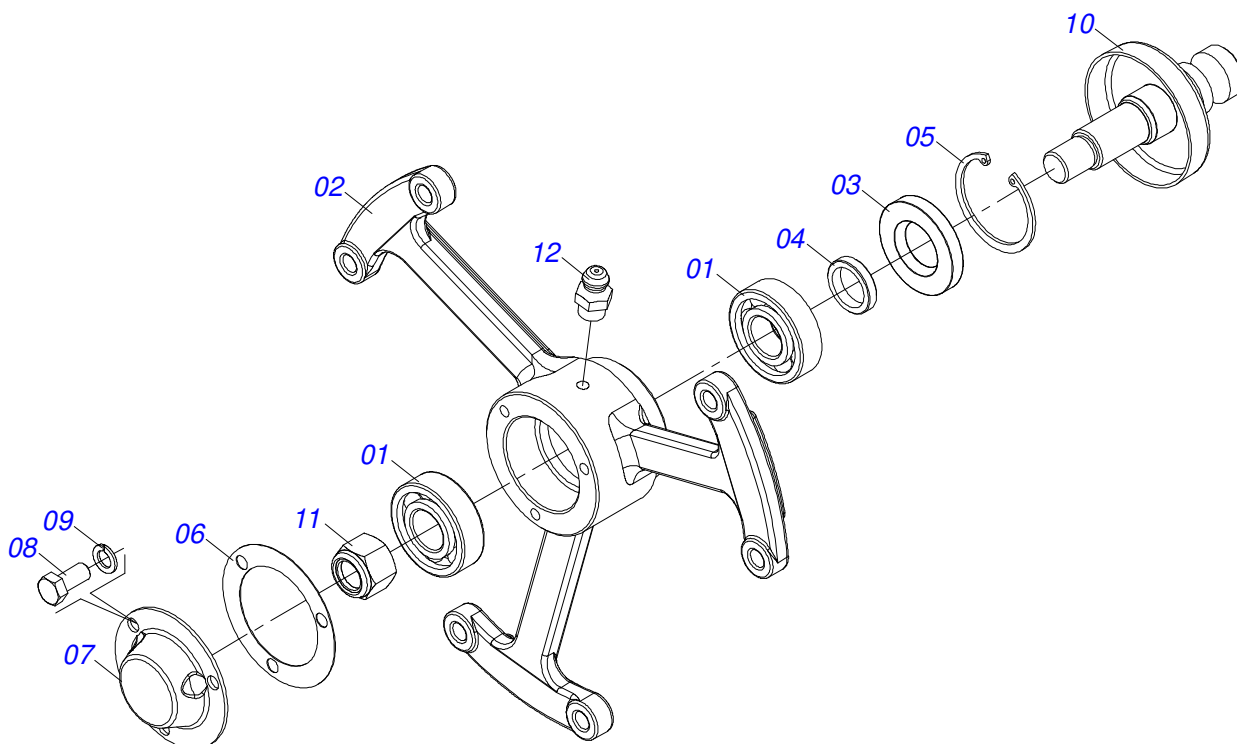
Item	Code	Description	See page	QT
01	0502012758	DEPTH CONTROL SUPPORT		01
02	0503010585	0,24" X 1.18" SPRING PIN		02
03	0503010002	1800 GREASE FITTING		01
04	0501059228	ADJUSTMENT LEVER	37	01
05	0502012611	DEPTH CONTROL AXLE		01
06	0571015326	ARTICULATION SLEEVE HANDLE		01
07	0501010984	FLAT WASHER 10,50 X 27 X 3,00 ZN		01
08	0503011443	3/8" SPRING WASHER		01
09	0503010237	3/8" X 1" BOLT		01
10	0571016132	PIVOT SHAFT		01
11	0503010071	3/16" X 1" COTTERPIN		01
12	0561014336	PIVOT SHAFT		01
13	0503010071	3/16" X 1" COTTERPIN		02
14	0511055628	DEPTH WHEEL SYSTEM	40	01
15	0511055629	DEPTH WHEEL SYSTEM	41	01



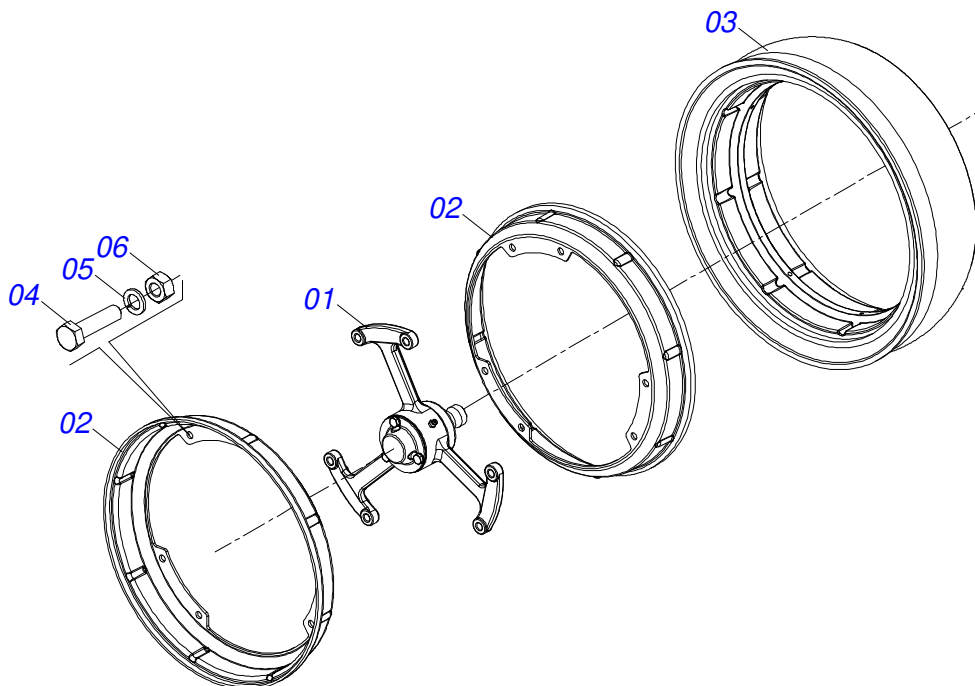
Item	Code	Description	See page	QT
001	0511010919	CHAIN TIGHTENER AXLE		01
002	0503031805	11Z 1/2" GEAR		01
003	0503010302	501019 SEAL RING		01
004	0503010004	1890 GREASE FITTING		01
005	0501010984	FLAT WASHER 10,50 X 27 X 3,00 ZN		01
006	0503010025	3/8" SPRING WASHER		01
007	0503010026	3/8" NUT		01



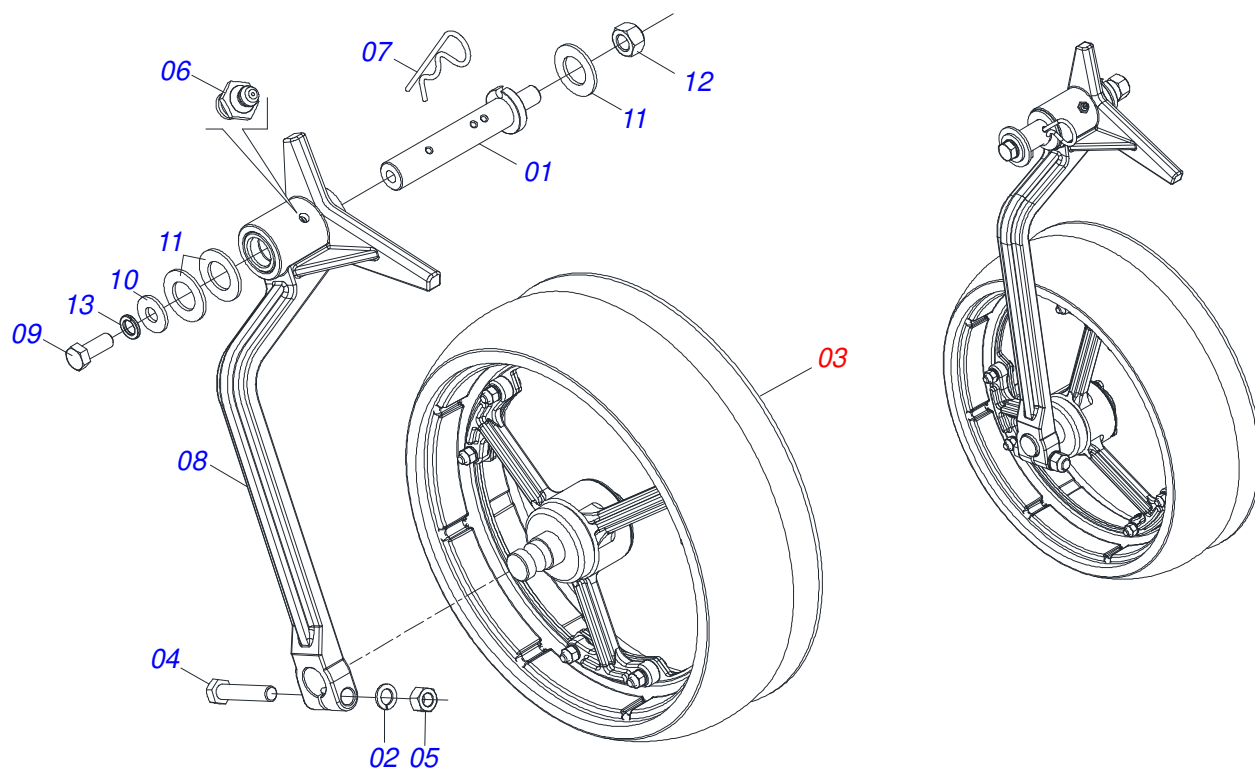
Item	Code	Description	See page	QT
01	0502012603	ADJUSTMENT LEVER		01
02	0502011689	1/8" DEPTH CONTROL LEVER		01
03	0503030975	0.9" X 1.5" X 0.1" SPRING		01
04	0511015976	FLAT WASHER		01
05	0503010140	1/8" X 3/4" COTTERPIN		01



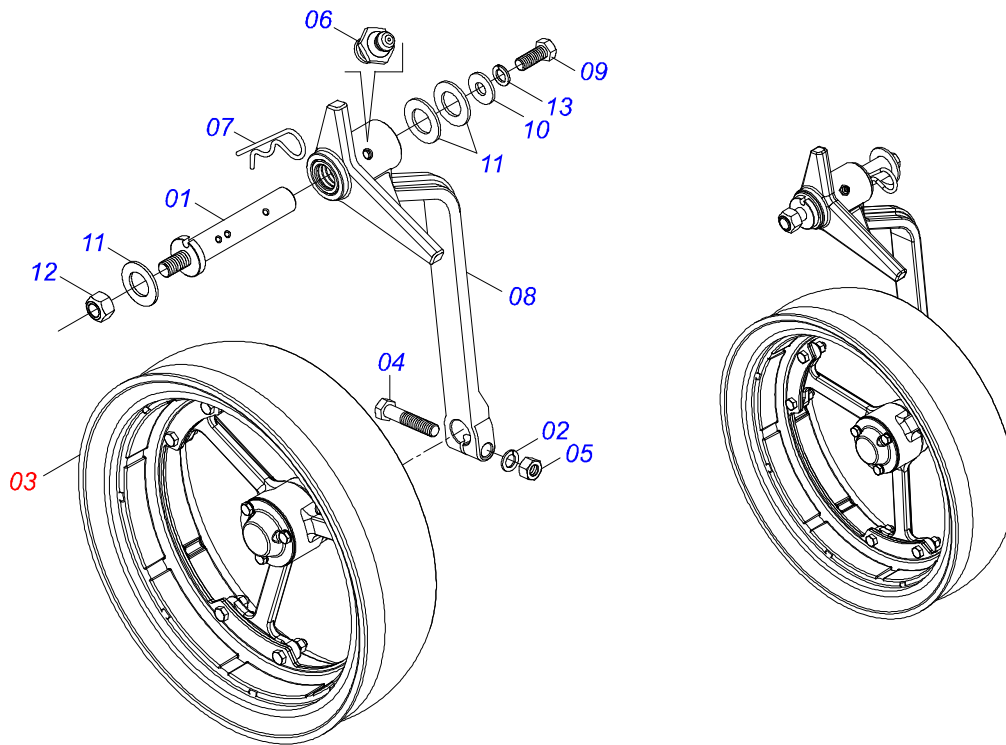
Item	Code	Description	See page	QT
01	0503010269	6204 BALL BEARING		02
02	0502012607	STRIPED BOX WHEEL DEPTH		01
03	0503010689	SEAL 00763-BR		01
04	0501013636	SPACING SLEEVE		01
05	0503011105	SEAL RING		01
06	0503030757	2.9" X 2" X 0.02" JOINT		01
07	0521019178	PROTECTION LID		01
08	0503013758	1/4" X 1-1/2" BOLT		03
09	0503011441	SPRING WASHER		03
10	0521063443	DEPTH CONTROL AXLE		01
11	0503010811	5/8" UNF SELF ADJUSTING NUT		01
12	0503010691	1/4" GREASE FITTING		01



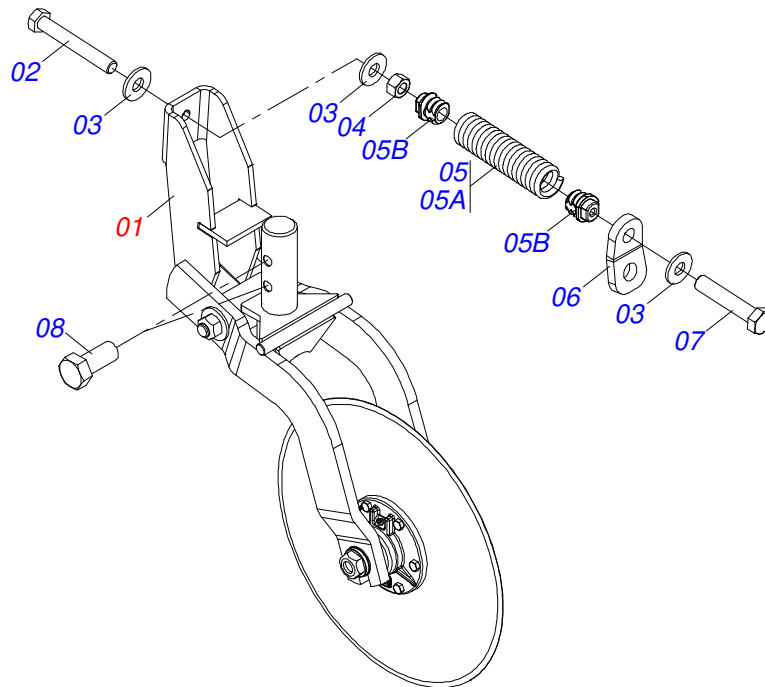
Item	Code	Description	See page	QT
01	0511055626	BOX ROUND DEPTH ROYAL WITH SPA	38	01
02	0551019904	PRESS WHEEL RIM		02
03	0503030891	RUBBER BAND		01
04	0503010365	NUT		06
05	0503010179	LOCK WASHER		06
06	0503010337	5/16" NUT		06



Item	Code	Description	See page	QT
01	0561014385	CARRYING-WHEELS PIVOT SHAFT		01
02	0503010019	1/2" SPRING WASHER		01
03	0511055627	WHEEL ASSY RAYED	39	01
04	0503016453	1/2" X 2.1/2 BOLT		01
05	0503010060	1/2" NUT		01
06	0503010002	1800 GREASE FITTING		01
07	0503030012	HITCH PIN CLIP		01
08	0501110777	RIGHT WHEEL ARM		01
09	0503014007	1/2" X 1-1/4" BOLT		01
10	0511017302	FLAT WASHER		01
11	0501011445	FLAT WASHER		03
12	0503012412	5/8 UNC SELF LOCKING NUT		01
13	0503011440	SPRING WASHER		01

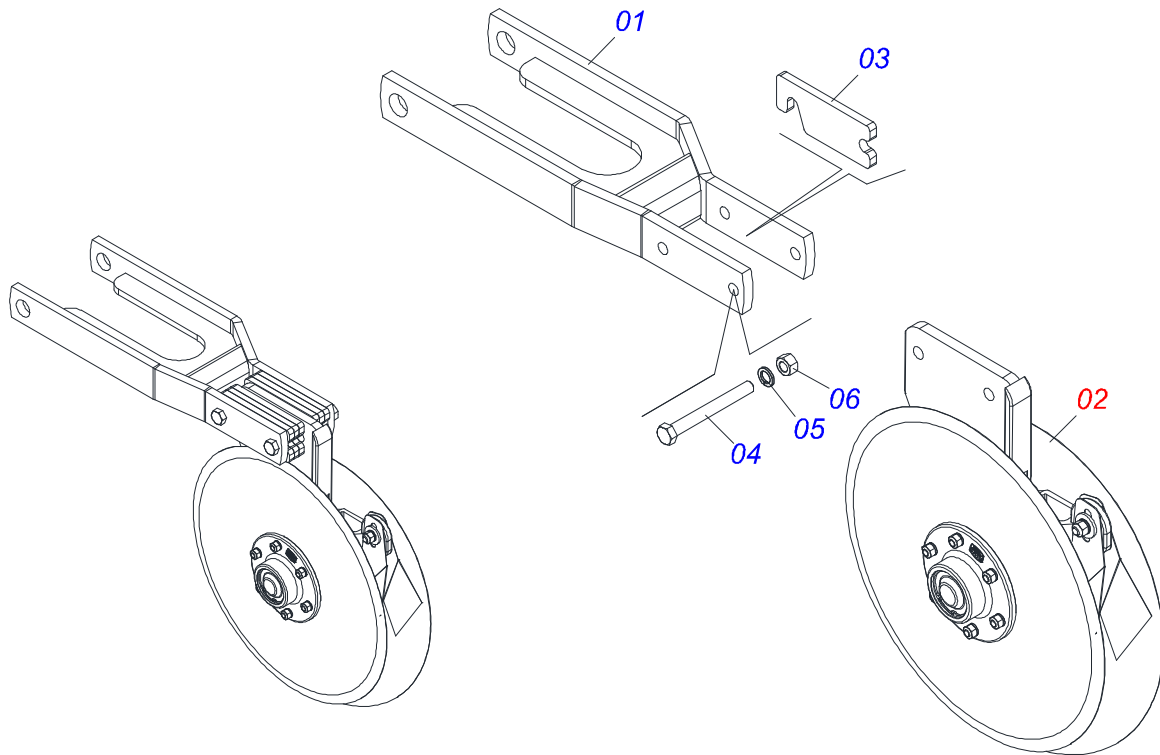


Item	Code	Description	See page	QT
01	0571015973	CARRYING-WHEELS PIVOT SHAFT		01
02	0503010019	1/2" SPRING WASHER		01
03	0511055627	WHEEL ASSY RAYED	39	01
04	0503016453	1/2" X 2.1/2 BOLT		01
05	0503010060	1/2" NUT		01
06	0503010002	1800 GREASE FITTING		01
07	0503030012	HITCH PIN CLIP		01
08	0501110776	ARM,LEFT		01
09	0503014007	1/2" X 1-1/4" BOLT		01
10	0511017302	FLAT WASHER		01
11	0501011445	FLAT WASHER		03
12	0503012412	5/8 UNC SELF LOCKING NUT		01
13	0503011440	SPRING WASHER		01

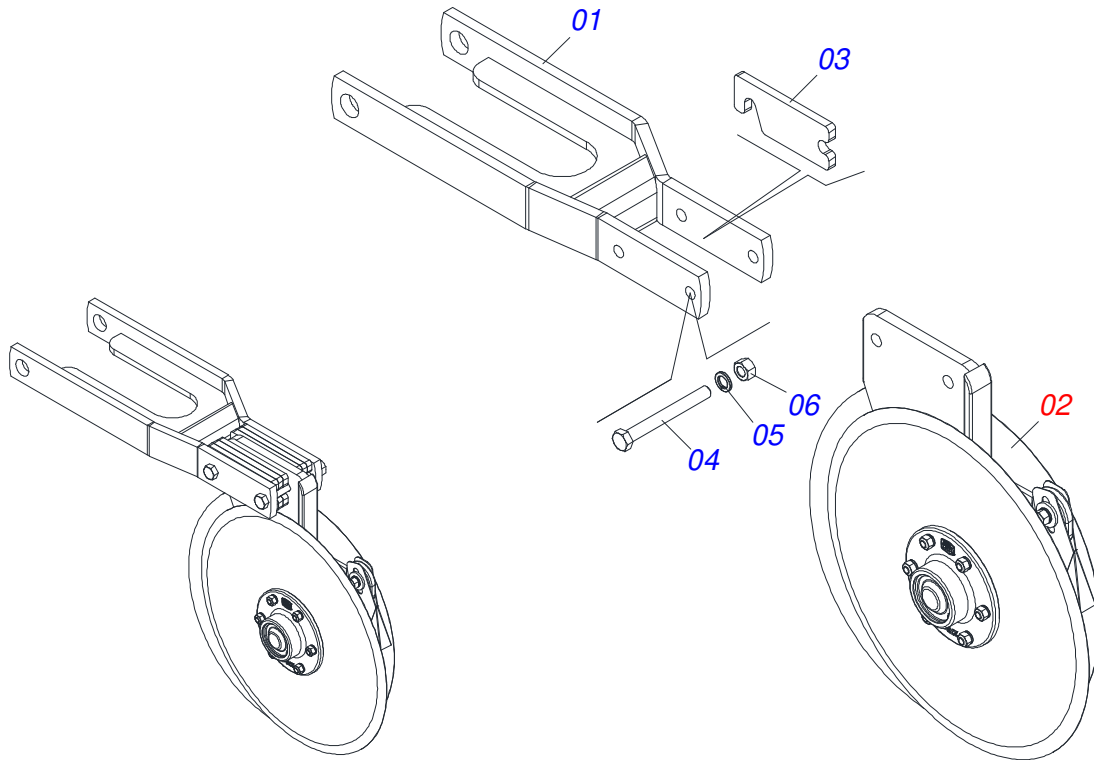


Item	Code	Description	See page	QT
01	0501056428	16" CUTTING DISC SEMI-ASSEMBLED	47	01
02	0503013329	1/2 UNC X 4.3/4 C S G.8 RT ZN BOLT		01
03	0511017302	FLAT WASHER		03
04	0503010060	1/2" NUT		01
05	0511057192	EXTENSION SPRING		01
06	0531012869	SUPPORT SPRING		01
07	0503011264	1/2" X 2-1/2" BOLT		01
08	0511016156	BOLT 5/8 UNC X1.1/2 CS PC G.5 ZN		02

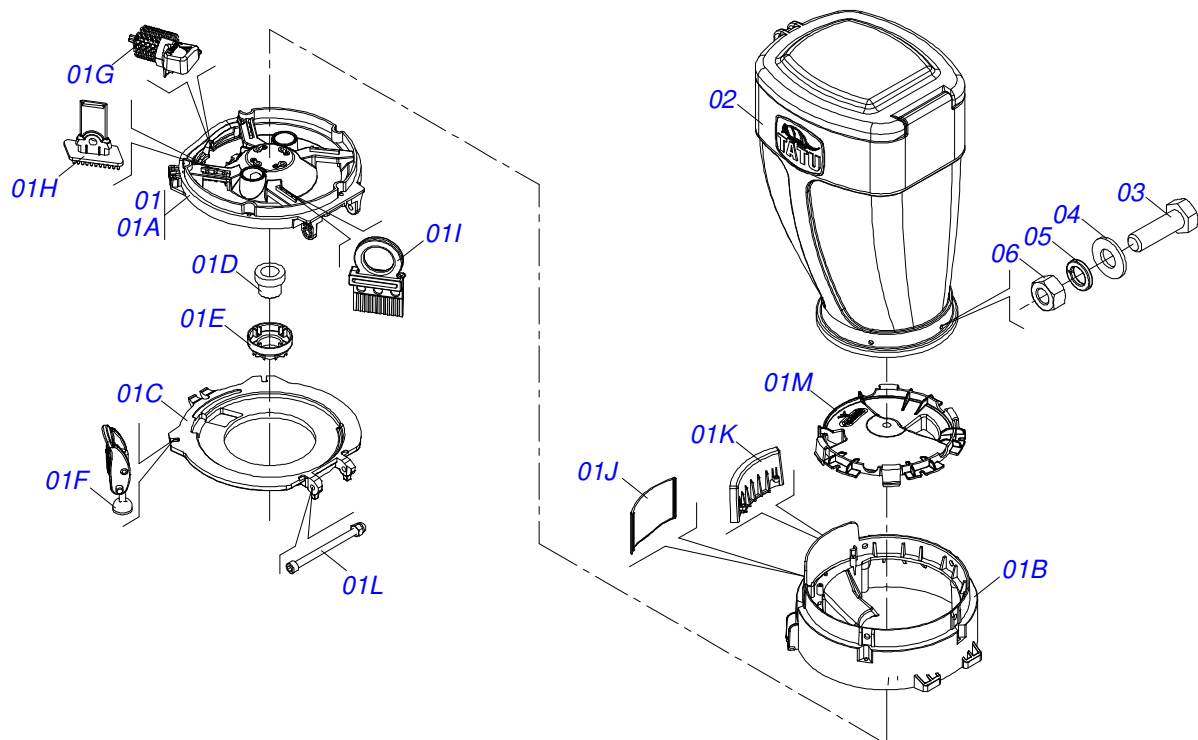




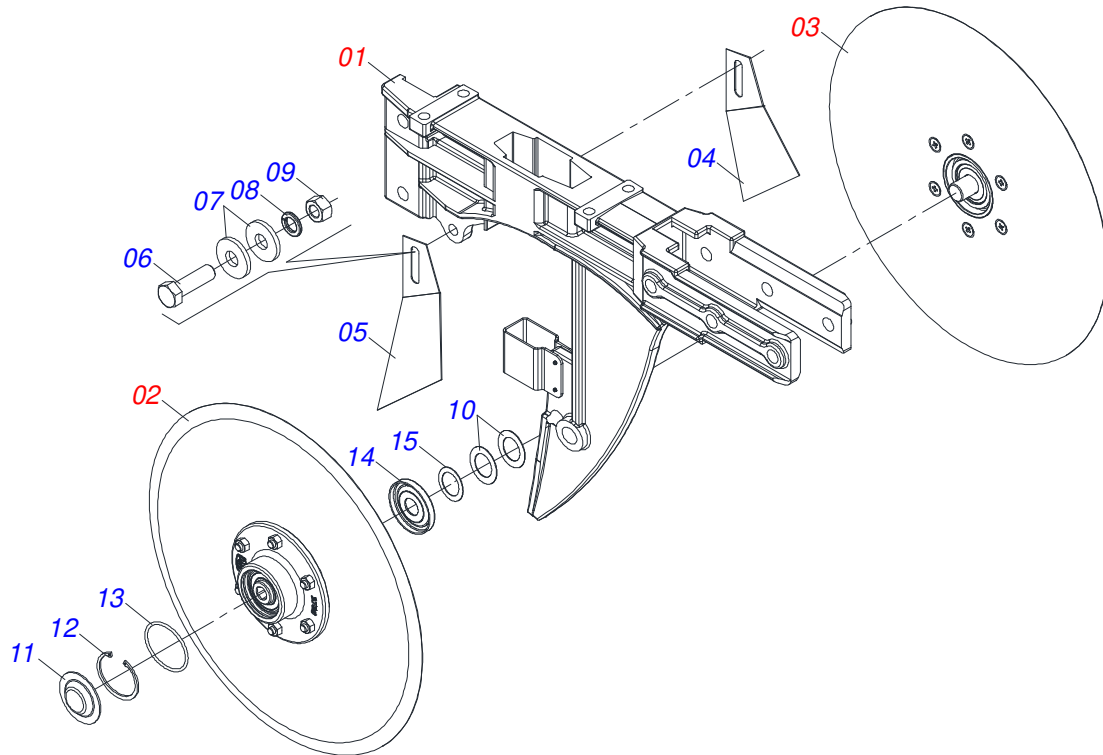
Item	Code	Description	See page	QT
01	0521063737	FERTILIZER ROW ARM		01
02	0511053209	DDD FERTILIZER 15 X 15 LEFT MINOR		01
03	0511018662	SPACING PLATE		06
04	0503010706	BOLT 1/2 UNC X 4.1/2 C S G.5 ZN		01
05	0503011440	SPRING WASHER		01
06	0503010060	1/2" NUT		01



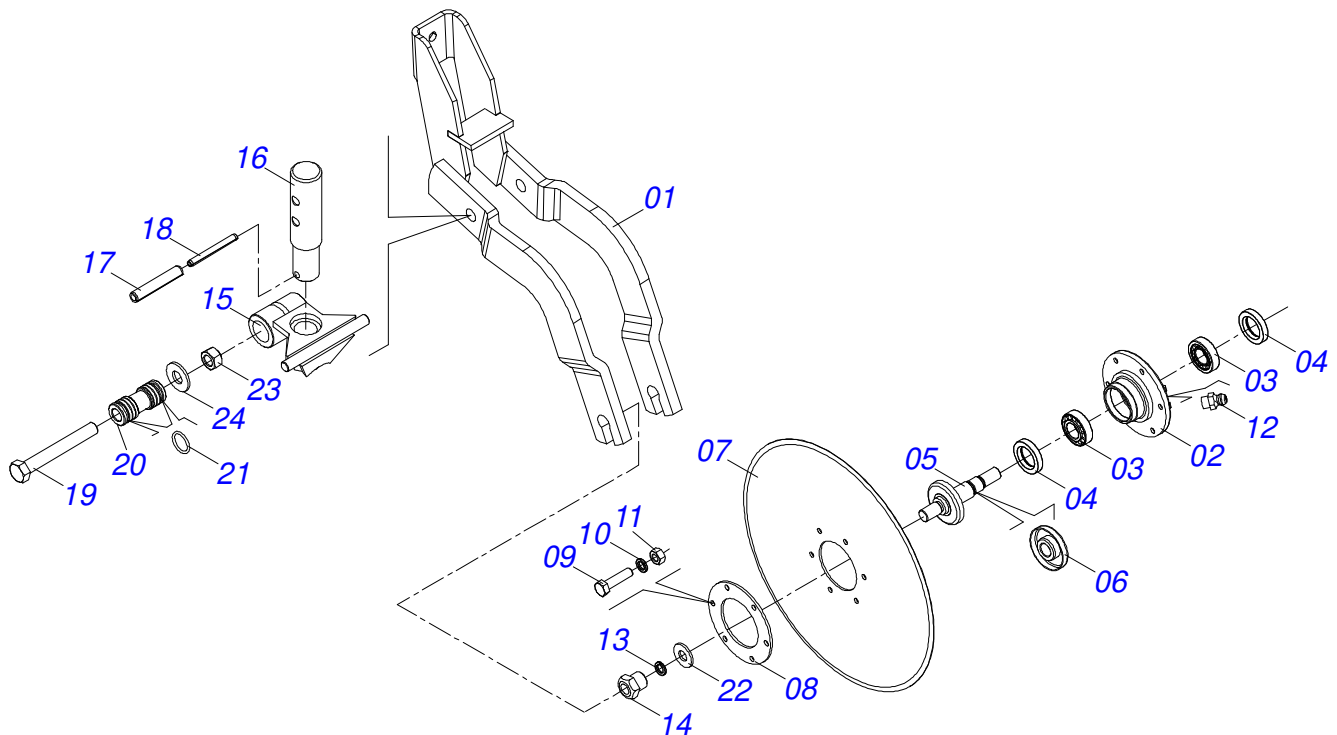
Item	Code	Description	See page	QT
01	0521063737	FERTILIZER ROW ARM		01
02	0511053208	DDD FERTILIZER 15 X 15 RIGHT MINOR	51	01
03	0511018662	SPACING PLATE		06
04	0503010706	BOLT 1/2 UNC X 4.1/2 C S G.5 ZN		01
05	0503011440	SPRING WASHER		01
06	0503010060	1/2" NUT		01



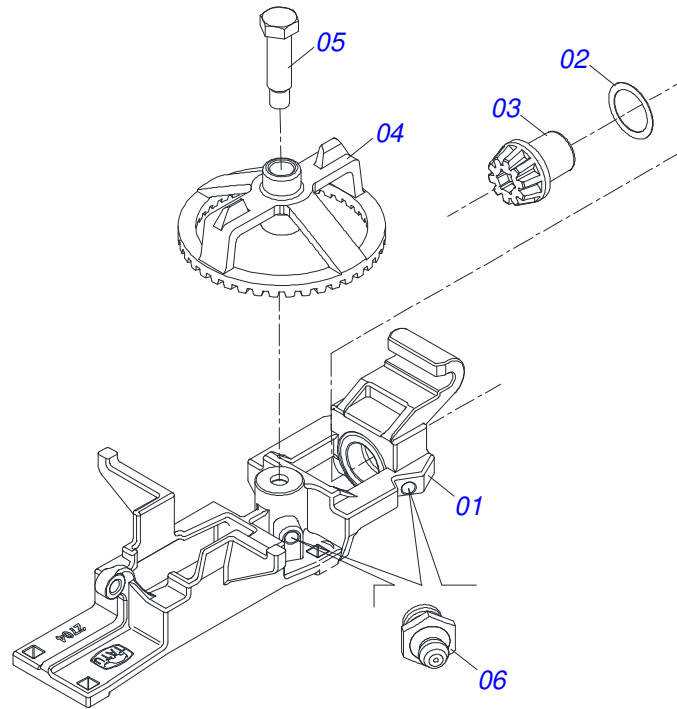
Item	Code	Description	See page	QT
01	0511052058	SEED SYSTEM TITANIUM		01
01A	0503062031	BASE SET		01
01B	0503062032	NECK TITANIUM ASSY		01
01C	0503062033	OPPOSITE BASE SET		01
01D	0503062034	CENTRAL ADAPTER SET		01
01E	0503062035	SET FALSE ADAPT CENTER		01
01F	0503062036	SUBSET ASSY LOCK BASE		01
01G	0503062037	SUBSET ESCOVAFLEX ASSY		01
01H	0503062038	ASSY ANTI-LEAP		01
01I	0503062039	POLIFLOW TITANIUM ASSY		01
01J	0503062040	DISPLAY ASSY TITANIUM 1050010		01
01K	0503062041	TITANIUM DISPLAY PROTECTION ASSY		01
01L	0503062042	SET BOLT ARTICULADOR		01
01M	0503062043	ASSY LIMIT WEIGHT		01
02	0503062276	ASSY SEED DEPOSIT		01
03	0503010371	5/16" X 1" BOLT		05
04	0501010694	FLAT WASHER		05
05	0503010179	LOCK WASHER		05
06	0503010337	5/16" NUT		05



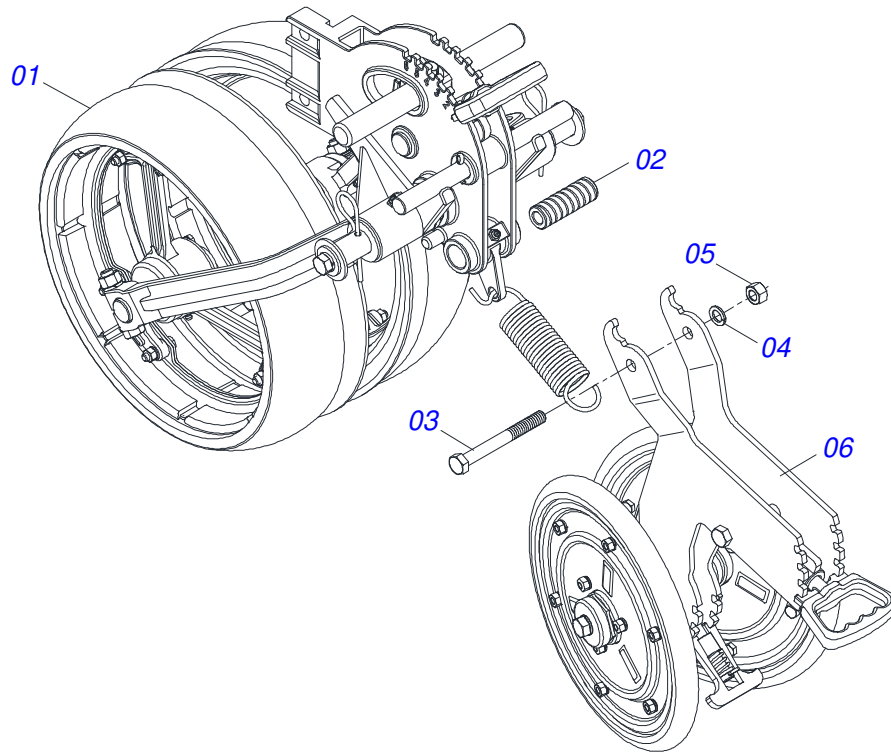
Item	Code	Description	See page	QT
01	0511052301	SUPPORT DDD 15 RIGHT		01
02	0511053173	CUBE LOW RIGHT WITH DISC 15		01
03	0511053172	LEFT LOW CUBE WITH DISC 15		01
04	0561010264	RH DOUBLE DISC SCRAPER - STARTING 04/18		01
05	0561010265	LH DOUBLE DISC SCRAPER - STARTING 04/18		01
06	0503010751	C3/8" X 1.1/4" HEX BOLT G.5		01
07	0501010984	FLAT WASHER 10,50 X 27 X 3,00 ZN		02
08	0503010025	3/8" SPRING WASHER		01
09	0503010026	3/8" NUT		01
10	0511815098	FLAT WASHER		04
11	0571011152	DOUBLE DISC CAP		02
12	0503015081	502052 CLAMPING RING (FOR AXLE)		02
13	0503014679	2-134 O'RING		02
14	0511011927	DUST CLOAK		02
15	0591014250	19 X 26 X 0,50 FLAT WASHER		02



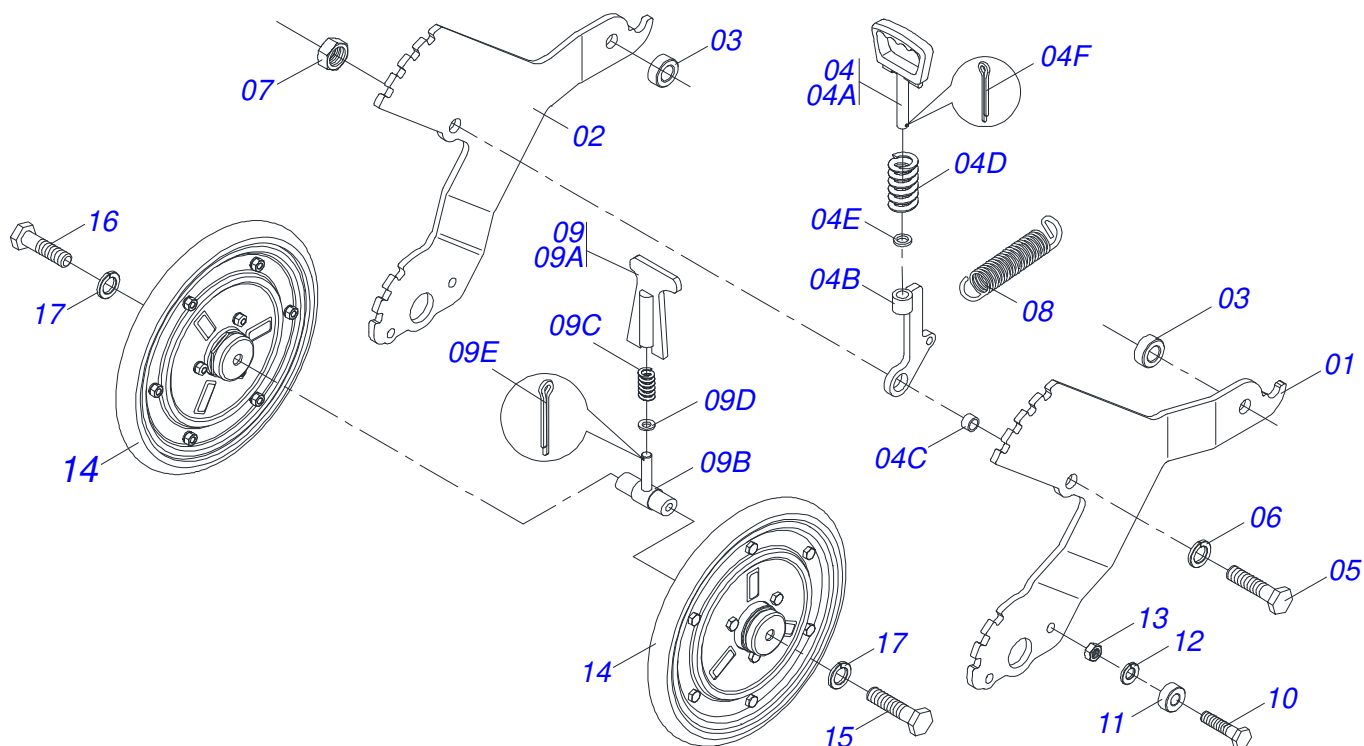
Item	Code	Description	See page	QT
01	0511063081	DISC BLADE SUPPORT		01
02	0502011279	DISC HUB		01
03	0503010215	30205 BEARING		02
04	0503010213	SEAL 30205		02
05	0511061647	BLADE DISC AXLE ASSY		01
06	0501068582	7/8" UNF WITH DUST CLOAK NUT		01
07	0603023013	DPL16X4,5 AFDFR80+6FR D224 TATU		01
08	0501013839	WASHER		01
09	0503010365	NUT		06
10	0503010179	LOCK WASHER		06
11	0503010337	5/16" NUT		06
12	0503010691	1/4" GREASE FITTING		01
13	0503010012	1" SPRING WASHER		02
14	0521013510	3/4" NUT		02
15	0511063073	DISC BLADE FIXER		01
16	0531012999	DISC BLADE FIXER AXLE		01
17	0503010361	SPRING PIN		01
18	0503010756	0.2" X 2.4" SPRING PIN		01
19	0503013185	3/4" X 5-1/2" BOLT		01
20	0521014321	ARTICULATION ARM REEL		01
21	0503010046	2-216 N 3006-9B O'RING		02
22	0511015346	FLAT WASHER		02
23	0503011255	3/4" LOCK NUT		01
24	0501010322	FLAT WASHER		01



Item	Code	Description	See page	QT
01	0502012704	BASE FIXING SYSTEM		01
02	0501013354	FLAT WASHER		01
03	0502011411	10Z CONICAL GEAR		01
04	0502011418	40Z CONICAL GEAR		01
05	0511018700	AXLE		01
06	0503010002	1800 GREASE FITTING		02

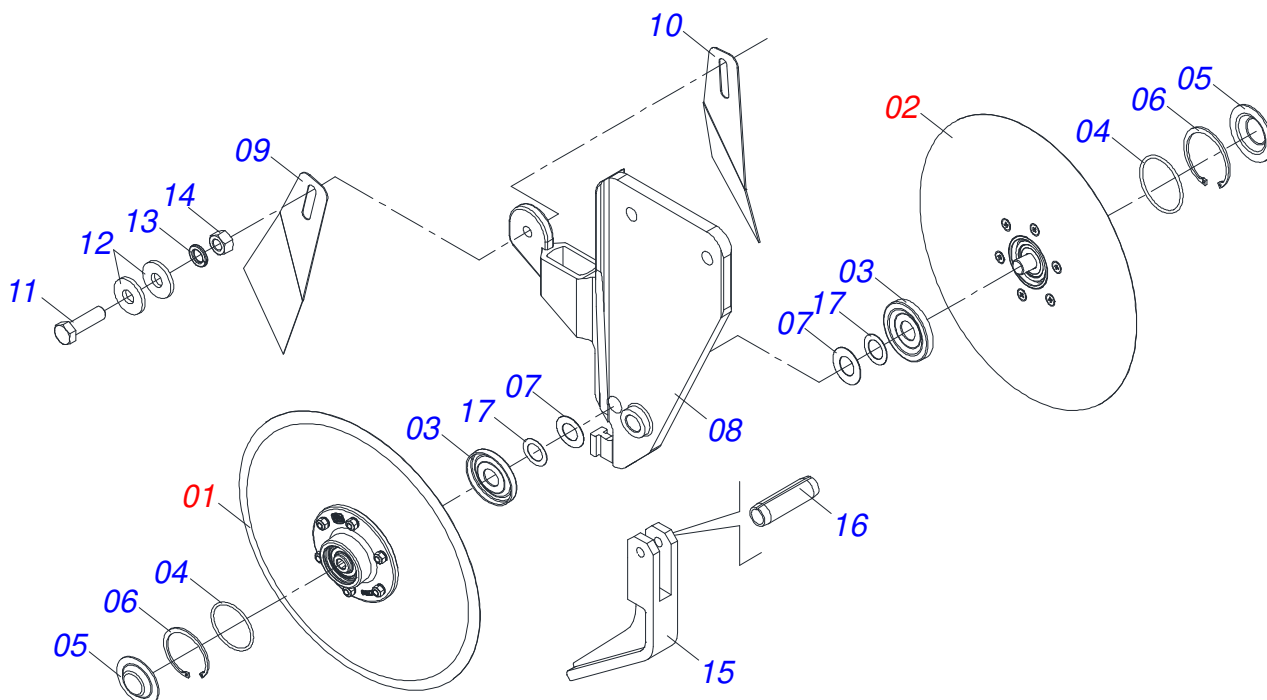


Item	Code	Description	See page	QT
01	0511055690	WHEEL SISTEM	35	01
02	0551019650	SLEEVE 13,20 X 25 X 74		01
03	0503010706	BOLT 1/2 UNC X 4.1/2 C S G.5 ZN		01
04	0503010019	1/2" SPRING WASHER		01
05	0503010060	1/2" NUT		01
06	0511055327	COMPACTING WHEEL V ASSY RUBBER	50	01



Item	Code	Description	See page	QT
01	0571015324	COMPACT WHEEL RIGHT ARM		01
02	0571015325	LH ARM PRESS WHEELS		01
03	0541012145	SLEEVE 13,5 X 25 X 18		02
04	0501058362	LARGER HANDLE ASSY		01
04A	0502011689	1/8" DEPTH CONTROL LEVER		01
04B	0521064892	REGULACION SPRING COMPACTOR		01
04C	0541012146	0.53" X 0.74" X 0.33" SLEEVE		01
04D	0503030174	COMPRESSION SPRING		01
04E	0541012143	FLAT WASHER		01
04F	0503010257	1/8" X 1" COTTERPIN		01
05	0503010479	BOLT		01
06	0503010019	1/2" SPRING WASHER		01
07	0503010060	1/2" NUT		01
08	0503031393	1.57" X 5.98" X 0.2" TRACTION SPRING		01
09	0501055289	HANDLE SMALLER ASSY		01
09A	0511065451	PRESS WHEEL ADJUSTER		01
09B	0511065496	PRESS WHEEL FIXER		01
09C	0503032035	0.7" X 1.2" X 1" COMPRESSION SPRING		01
09D	0541012143	FLAT WASHER		01
09E	0503010257	1/8" X 1" COTTERPIN		01
10	0503010397	5/16" X 1-3/4" BOLT		02
11	0541012144	8,50 X 16 X 21 SLEEVE		02
12	0503011444	SPRING WASHER		02
13	0503010337	5/16" NUT		02
14	0501052908	COMPACTOR WHEEL WITH BEARING		02
15	0503010752	1/2" X 3.1/2" BOLT		01
16	0503013739	1/2" X 1" BOLT		01
17	0503011440	SPRING WASHER		02





Item	Code	Description	See page	QT
01	0511053173	CUBE LOW RIGHT WITH DISC 15		01
02	0511053172	LEFT LOW CUBE WITH DISC 15		01
03	0511011927	DUST CLOAK		02
04	0503014679	2-134 O'RING		02
05	0571011152	DOUBLE DISC CAP		02
06	0503015081	502052 CLAMPING RING (FOR AXLE)		02
07	0511815098	FLAT WASHER		02
08	0502011160	15"X15" RIGHT DOUBLE DISC SUPPORT		01
09	0501017542	LH DOUBLE DISC SCRAPER		01
10	0501017541	RIGHT DOUBLE DISC SCRAPER		01
11	0503010751	C3/8" X 1.1/4" HEX BOLT G.5		01
12	0501010984	FLAT WASHER 10,50 X 27 X 3,00 ZN		02
13	0503010025	3/8" SPRING WASHER		01
14	0503010026	3/8" NUT		01
15	0502070062	SCRAPER		01
16	0503011402	0.2" X 0.8" SPRING PIN		01
17	0591014250	19 X 26 X 0,50 FLAT WASHER		02





**MARCHESAN**

**Technical Publications | Elaboration and Revision**

ALESSANDRA PATRICIA KAWAHARA CARRILI

[www.marchesan.com.br](http://www.marchesan.com.br)

