

PARTS CATALOG

FRONT LOADER

PD NH TL 75E/85E/95E-4 SHT/BT
GAL CNH S-0712

Code: 0501091525



Series: S-0712

Review: OUTUBRO/15

ORIGINAL PARTS
TATU

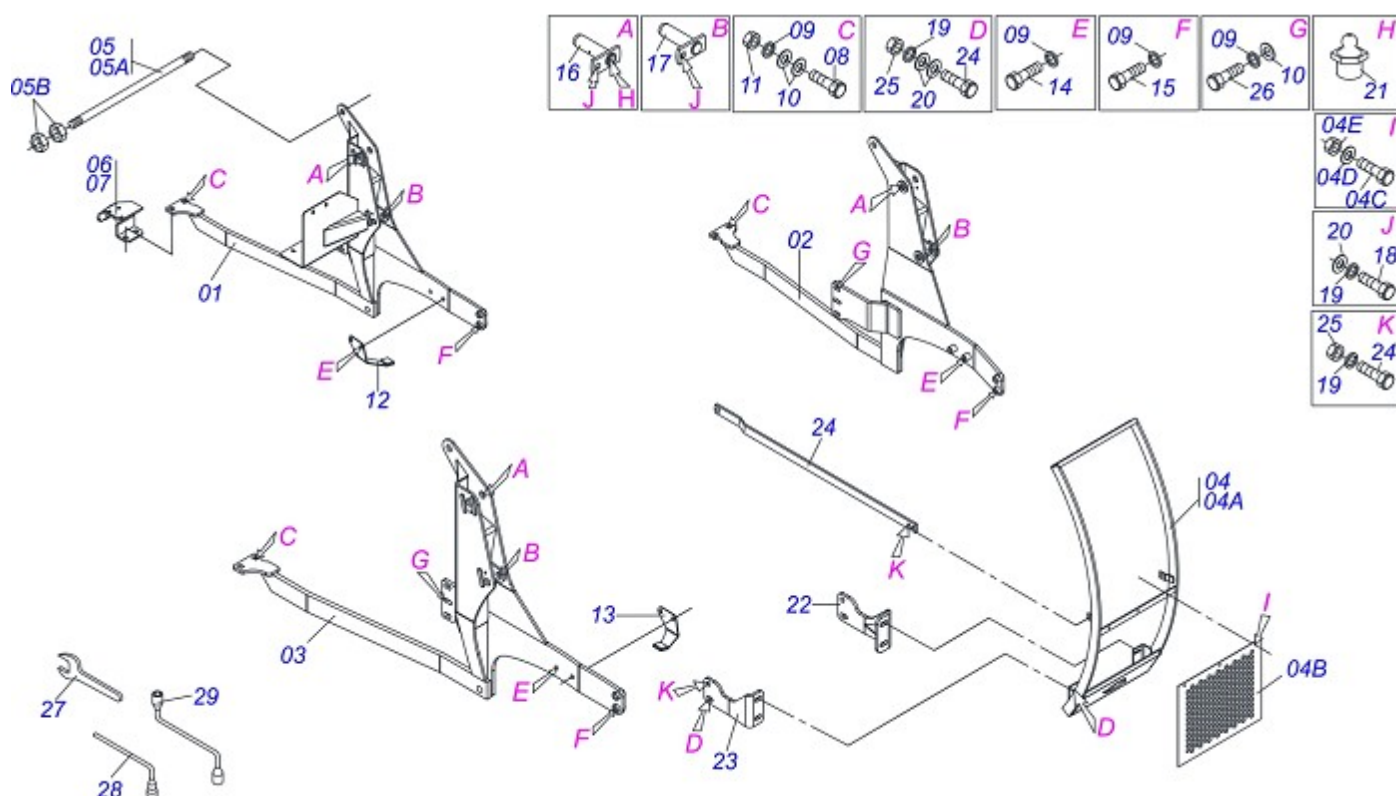


INDEX

0909090807	CHASSI NH TL 75E/85E/95E-4 SHT/BT GAL S-0712	1
0909090808	SUPT.MOVEL NH TL 75E/85E/95E-4 SHT-BT GAL S-0712	2
0909090809	CIRC.HIDR. NH TL 75E/85E/95E-4 BT-SC S-0712	3
0909090810	CIRC HIDR NH TL 75E/85E/95E SHT S-0712	4
0501044368	HYDRAULIC CYLINDER	5
0501044369	HYDRAULIC CYLINDER	6

ATTENTION: IMPORTANT

MARCHESAN RESERVES THE RIGHT AT ANY TIME TO MAKE IMPROVEMENTS IN THE DESIGN, MATERIAL OR SPECIFICATIONS OF MACHINERY, EQUIPMENT OR PARTS WITHOUT THEREBY BECOMING LIABLE TO MAKE SIMILAR CHANGES IN MACHINERY, EQUIPMENT OR PARTS PREVIOUSLY SOLD.



Item	Code	Description	QT
01	0521063216		01
02	0521063215		01
03	0521063214		01
04	0511049956	MOBILE SUPPORT GUIDE ASSY	01
04A	0521062696	GUIDE SUPPORT MOBILE	01
04B	0501017431	FRONT PROTECTION	01
04C	0503010751	3/8" X 1.1/4" HEX BOLT G.5	03
04D	0501010984	FLAT WASHER	03
04E	0503010026	3/8" NUT	03
05	0501041849	1.1/4" NC X 910 ROD	01
05A	0501014914	1.1/4" X 910 ROD	01
05B	0501010087	1.1/4" UNC NUT	04
06	0501069121	FRAME BRACKET RIGHT	01
07	0501069122	FRAME BRACKET LEFT	01
08	0501010500	3/4" X 3" BOLT	04
09	0503010023	3/4" SPRING WASHER	24
10	0501010322	FLAT WASHER	16
11	0503010014	3/4" NUT	04
12	0521062379		01
13	0521062378		01
14	0503013896	M20 X 2,5 BOLT	04
15	0503013366	M20 X 0.0984" X 4.33 BOLT	04
16	0501063751	1.5" X 5.5" PIVOT SHAFT	02
17	0501063959	PIVOT SHAFT	02
18	0503010962	5/8" X 1-1/4" BOLT	04
19	0503010027	5/8" SPRING WASHER	12
20	0501012140	FLAT WASHER	12
21	0503010002	GREASE FITTING	02
22	0521063213		01
23	0521063212		01
24	0501010100	5/8" X 2" BOLT	08
25	0503010013	5/8" NUT	08
26	0503013110	M20 X 2" BOLT	08



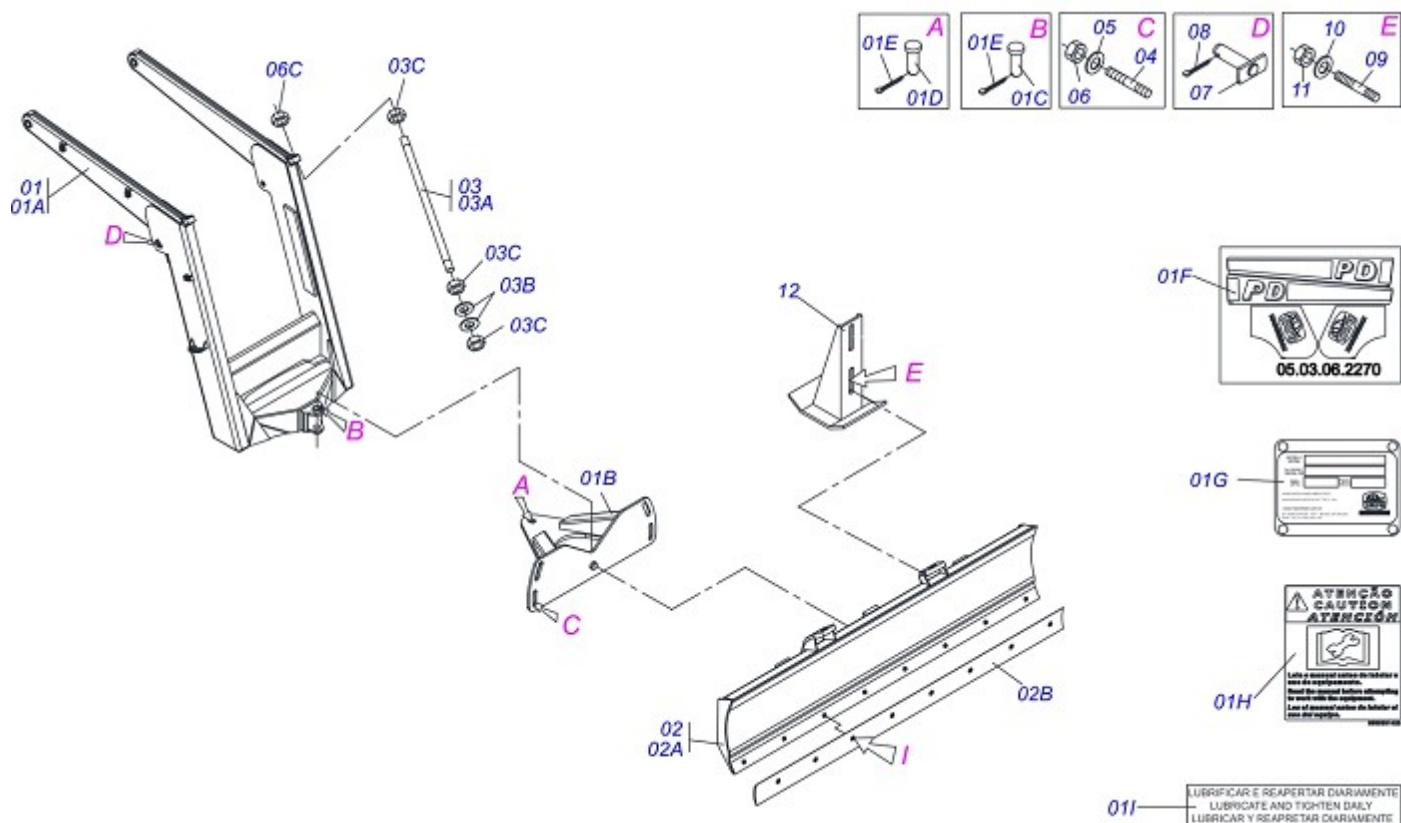
PD NH TL 75E/85E/95E-4 SHT/BT GAL CNH S-0712

Page 1

CHASSI NH TL 75E/85E/95E-4 SHT/BT GAL S-0712

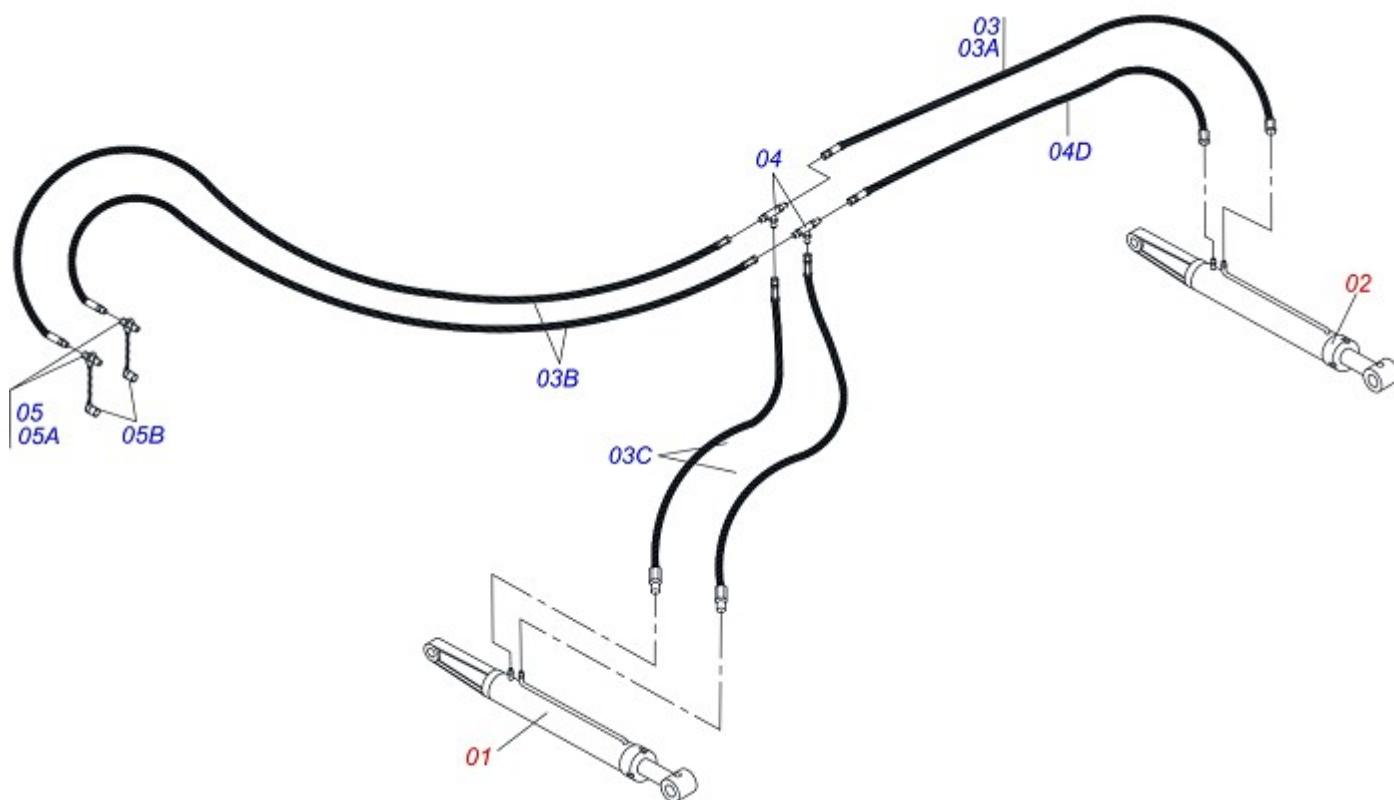
0909090807

Item	Code	Description	QT
27	0511010153	2-5/16" FIXED WRENCH	01
28	0501061617	1" WRENCH CYLINDRICAL HEX	01
29	0501068213	5/8" WRENCH DOUBLE	01

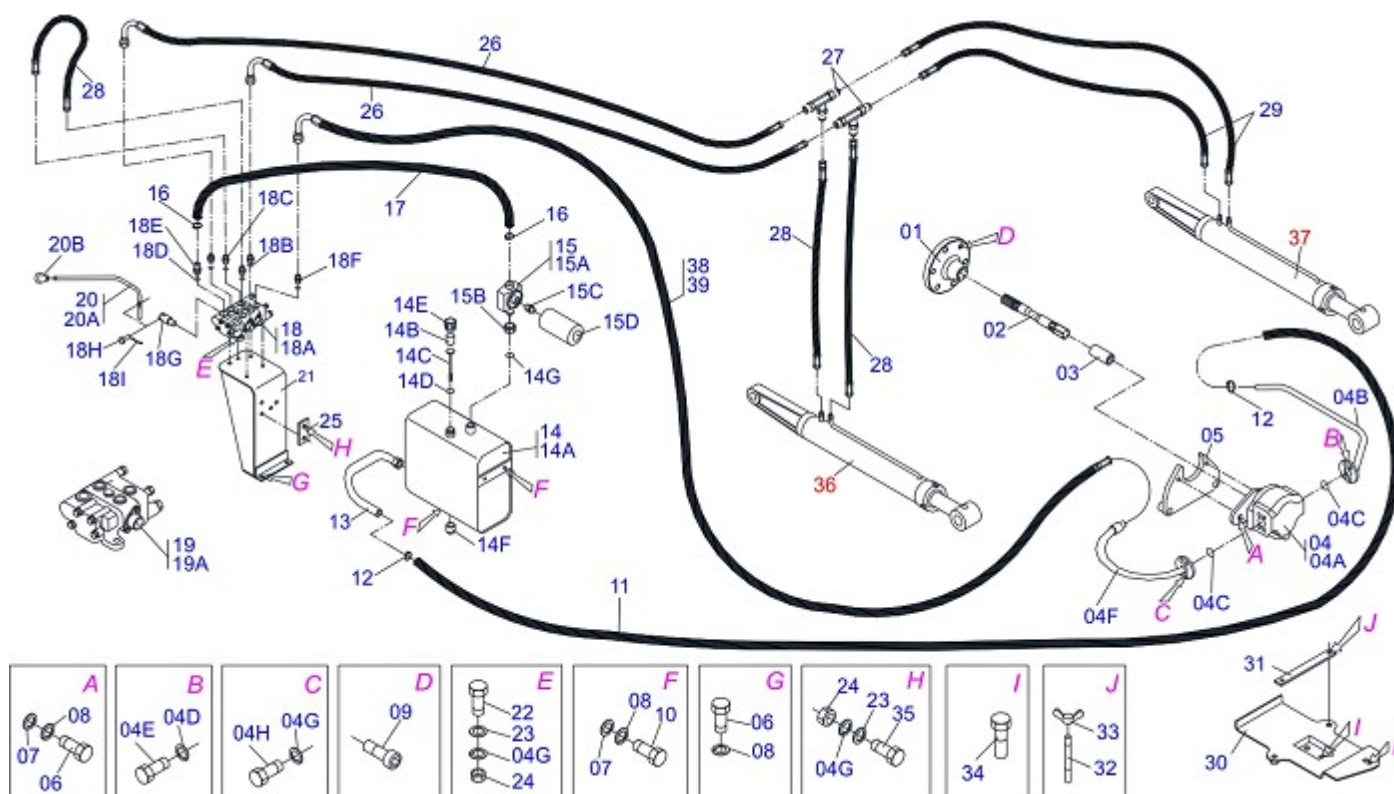


Item	Code	Description	QT
00	0909090808	SUPT.MOVEL NH TL 75E/85E/95E-4 SHT-BT GAL	01
01	0521040730	MOBILE SUPPORT ASSY	01
01A	0521062944	MOBILE SUPPORT PD JD 6300	01
01B	0501062637	5/8" REGULATOR SUPPORT	01
01C	0521060618	63,50 X 309 CYLINDER CASE	01
01D	0521010612	1.4" X 3.5" COUPLING SHAFT	01
01E	0503010010	1/4" X 2.1/2" COTTERPIN	02
01F	0503062270	SET LABEL ADHESIVE	01
01G	0503034003		01
01H	0503031428	ADHESIVE LABEL ATTENTION	01
01I	0503031827	ADHESIVE LABEL	01
02	0501047708	2400 BLADE SUPPORT	01
02A	0501067999	2390 BLADE SUPPORT	01
02B	0622360016	94.5" SCRAPER REVERSIBLE	01
02C	0501012240	5/8" X 2-1/2" BOLT	08
02D	0503010013	5/8" NUT	08
02E	0503010027	5/8" SPRING WASHER	08
02F	0501012140	FLAT WASHER	08
03	0501041427	1.1/4" NC X 1540 ROD	02
03A	0501014250	1.1/4" X 1540 ROD	02
03B	0502012180	CONICAL SPRING WASHER	02
03C	0501010087	1.1/4" UNC NUT	04
04	0561016755	PRISONER 1 UNC X 1 UNC X 76 ZN	04
05	0501010574	FLAT WASHER	04
06	0501010059	1" NUT HEX	04
07	0521063354	COUPLING SHAFT	02
08	0503010534	3/8" X 2-1/2" COTTERPIN	02
09	0561016756	3/4 UNC X 3/4 UNC X 56 PRISONER	04
10	0501010322	FLAT WASHER	04
11	0503010014	3/4" NUT	04
12	0501063411	STABILIZER BRACKET	02

01I LUBRIFICAR E REAPERTAR DIARIAMENTE
 LUBRICATE AND TIGHTEN DAILY
 LUBRICAR Y REAPERTAR DIARIAMENTE



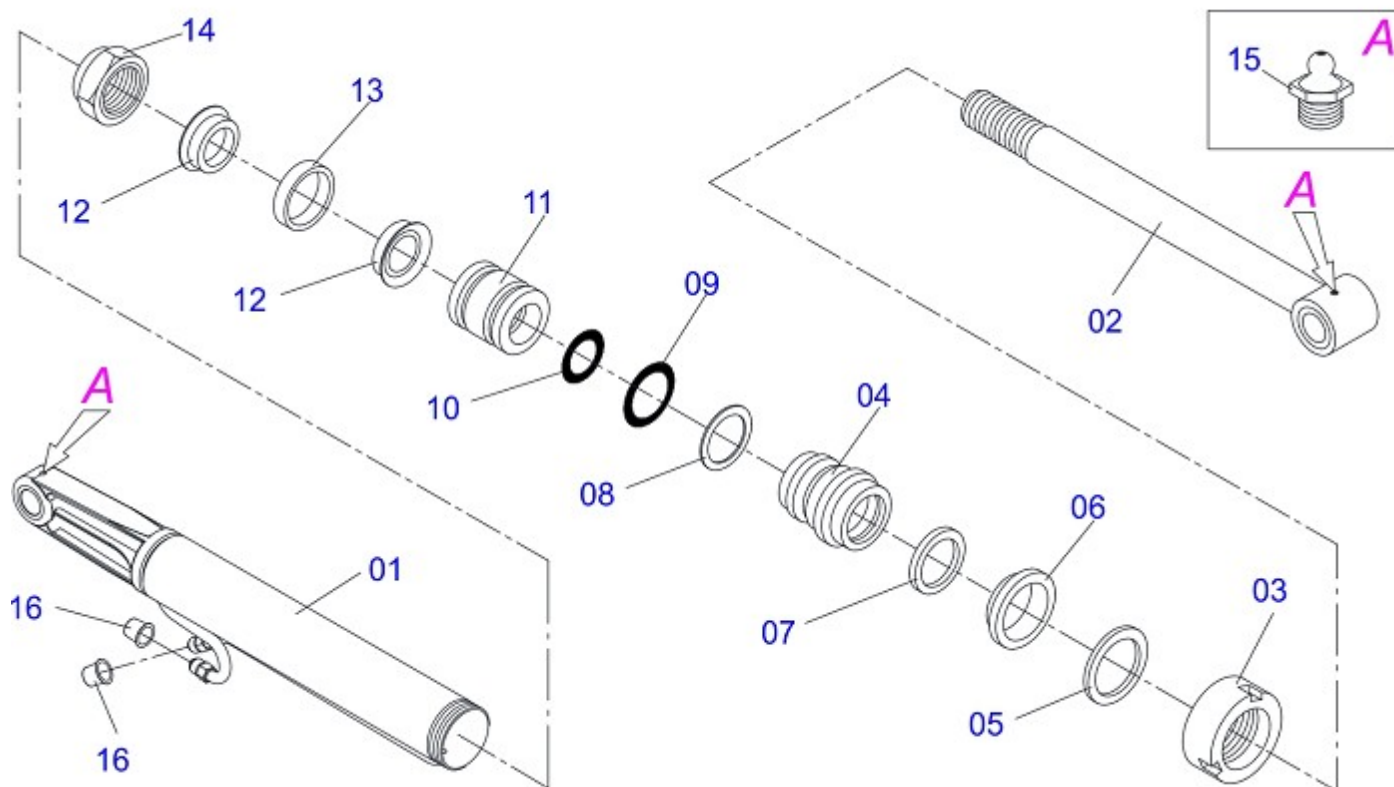
Item	Code	Description	QT
01	0501044368	HYDRAULIC CYLINDER	01
02	0501044369	HYDRAULIC CYLINDER	01
03	0511052042		01
03A	0501080103	1/2" X 47" TR-TR HOSE ASSY	02
03B	0501081109	1/2" X 1850 TR-TR HOSE	02
03C	0501080074	1/2" X 86" TR-TM HOSE ASSY	02
04	0503013493	T CONNECTION MALE	02
05	0501053834	QUICK CONECTION(MALE)1/2NPT	02
05A	0503011627	QUICK CONNECTION (MALE) AGR 1/2 NPT	02
05B	0503011882	QUICK CONNECTION COVER	02



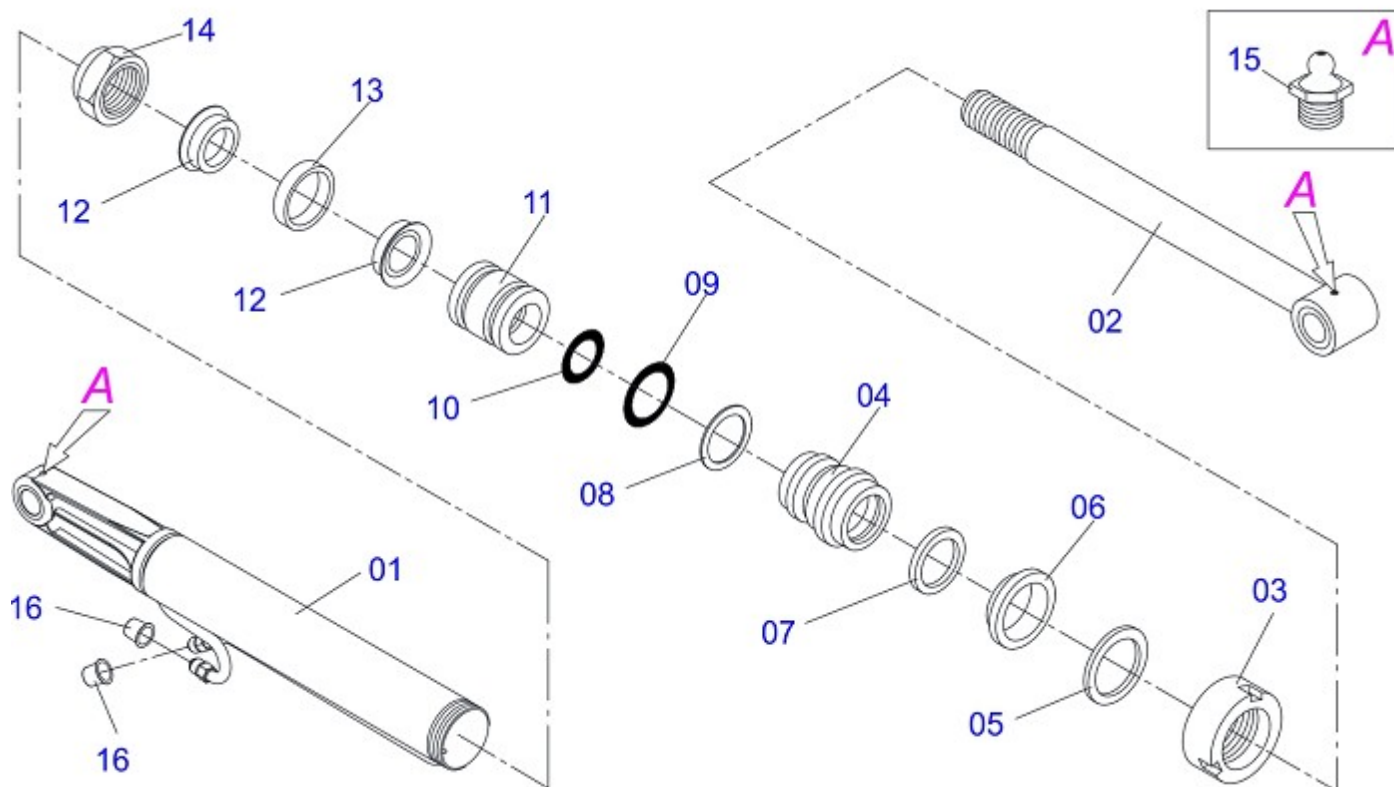
Item	Code	Description	QT
01	0503050064		01
02	0511063035		01
03	0503030838	1-1/8" X 2.4" SLEEVE COUPLING	01
04	0511051935		01
04A	0503061770	PUMP WITH TUBE	01
04B	0521063164		01
04C	0503010143	1/4" SPRING WASHER	01
04D	0503010180	7/16" SPRING WASHER	04
04E	0503010355	7/16" X 1" BOLT	04
04F	0511067176	PUMP PRESSURE TUBE	01
04G	0503010025	3/8" SPRING WHASHER	04
04H	0503010237	3/8" X 1" HEX BOLT G5	04
04I	0503030388	PLUG CYLINDRICAL	01
05	0511060087	PUMP SUPPORT	01
06	0503010920	1/2" X 1.1/2" BOLT	04
07	0511017302	FLAT WASHER	08
08	0503010019	1/2" SPRING WASHER	08
09	0503010728	M10 X 1.2" BOLT	06
10	0501010161	1/2" X 1-1/4" BOLT	04
11	0501010620		01
12	0503010243	1-1/2" TO 2" CLAMP	02
13	0501069690	TANK SUCTION TUBE	01
14	0501047807	RESERVOIR OIL ASSY	01
14A	0501068880	RESERVOIR OIL	01
14B	0503030044	FILTERING ELEMENT	01
14C	0501060975	OIL GAGE	01
14D	0503010185	2-221 N 3006-9B O'RING	01
14E	0502020472	TANK COVER BODY	01
14F	0503031604	1/2" BSP PLUG	01
14G	0503010046	2-216 N 3006-9B O'RING	01
15	0501041108	RETURNING FILTER ASSY	01
15A	0502050002	RETURNING FILTER HEAD	01
15B	0501010594	1" NUT HEX	01



Item	Code	Description	QT
15C	0501010595	1" NF NIPPLE	01
15D	0503010183	RETURNING FILTER	01
16	0503010184	1-1/4" TO 1-1/2" CLAMP	02
17	0501018430	1" X 35.4" TC-TM HOSE ASSY	01
18	0501059952		01
18A	0503060016	1/2"DOUBLE COMMAND	01
18B	0503010045	2-116 N 3006-9B O'RING	04
18C	0501010590	7/8" HEX NIPPLE	04
18D	0503011109	2-119 N 3006-9B O'RING	02
18E	0501010591	HOSE NIPPLE	01
18F	0501010589	1-1/16 NIPPLE	01
18G	0503030347	UPPER LEVER ASSY (SAUER DANFOSS)	02
18H	0521010533	0.3" X 1" COUPLING SHAFT	02
18I	0503010140	1/8" X 3/4" COTTERPIN	02
19	0501040871	1/2" COMMAND SIMPLE ASSY	01
19A	0503060080	1/2" COMMAND SIMPLE	01
20	0501047446	CONTROL VALVE (P/COM 1/2 PCA)	02
20A	0501068681	1/2" CONTROL VALVE	02
20B	0503030878	LEVER CRANK	02
21	0511067218	SUPPORT CONTROL	01
22	0501010080	3/8" X 1-1/2" BOLT	03
23	0501010984	FLAT WASHER	03
24	0503010026	3/8" NUT	03
25	0541019294	60 X 25,4 X 4,76 PCA 75EMWM PLATE	01
26	0501080303	1/2" X 2500 TR-TR HOSE	02
27	0503013493	T CONNECTION MALE	02
28	0501080021	1/2" X 51" TR-TR HOSE ASSY	04
29	0501080223	1/2" X 106" TR-TM HOSE ASSY	02
30	0511067216	BATTERY SUPPORT	01
31	0541019289	FIXER BAR BATTERY	01
32	0501016988	PRISONER 3/8 NC X 3/8 NC X 270	01
33	0503010209	3/8" UNC BUTTERFLY NUT	02
34	0503013897	M10 X 1,25 BOLT	03
35	0503011268	3/8" X 2-1/2" BOLT	02
36	0501044368	HYDRAULIC CYLINDER	01
37	0501044369	HYDRAULIC CYLINDER	01
38	0501080873		01
39	0511051961		01



Item	Code	Description	QT
00	0501044368	HYDRAULIC CYLINDER	01
01	0501069000	85,7" X 483" BODY RIGHT	01
02	0501069048	44,45 X 648 TURNBUCLE	01
03	0502010993	DETACHABLE COVER	01
04	0502010781	RING SUPPORT	01
05	0503010761	D-1750 SCRAPER RING	01
06	0503010990	GASKET	01
07	0503010949	W2-2000-500 PK RING G.E	01
08	0503011060	8-336 BACK-UP RING	01
09	0503010976	2-336 N 3006-9B O-RING	01
10	0503010042	2-214 N 3006-9B O-RING	01
11	0502010843	1.8" X 3.4" PISTON	01
12	0503010170	PACKING 3120 2750	02
13	0503010948	W4-3346-590 PK RING G.E	01
14	0503010063	1" SELF-ALIGNING NUT	01
15	0503010002	GREASE FITTING	02
16	0503030387	PLUG CYLINDRICAL	02



Item	Code	Description	QT
00	0501044369	HYDRAULIC CYLINDER	01
01	0501069001	85,7" X 483" BODY LEFT	01
02	0501069048	44,45 X 648 TURNBUCLE	01
03	0502010993	DETACHABLE COVER	01
04	0502010781	RING SUPPORT	01
05	0503010761	D-1750 SCRAPER RING	01
06	0503010990	GASKET	01
07	0503010949	W2-2000-500 PK RING G.E	01
08	0503011060	8-336 BACK-UP RING	01
09	0503010976	2-336 N 3006-9B O-RING	01
10	0503010042	2-214 N 3006-9B O-RING	01
11	0502010843	1.8" X 3.4" PISTON	01
12	0503010170	PACKING 3120 2750	02
13	0503010948	W4-3346-590 PK RING G.E	01
14	0503010063	1" SELF-ALIGNING NUT	01
15	0503010002	GREASE FITTING	02
16	0503030387	PLUG CYLINDRICAL	02



MARCHESAN

MARCHESAN IMPLEMENTOS E MÁQUINAS AGRÍCOLAS TATU S.A.

AV. Marchesan, 1979 - Post office box, 131 - CEP 15994-900 - Matão - SP - Brazil

Phone +55 16.3382-8282

(FAX Parts) + 55 16.3382. 8297 - (Export) + 55 16.3382.1003

e.mail: tatu@marchesan.com.br www.marchesan.com.br

*Drafting and Illustration = GASPARI
e.mail = jgaspari@marchesan.com.br*

**ORIGINAL PARTS
TATU**



MARCHESAN