

# PARTS CATALOG

## FRONT LOADER

PD NH TL 75E/85E/95E-4 SHT GAL  
S-0813

Code: 0501091524



Series: S-0813

Review: OUTUBRO/15

ORIGINAL PARTS  
TATU

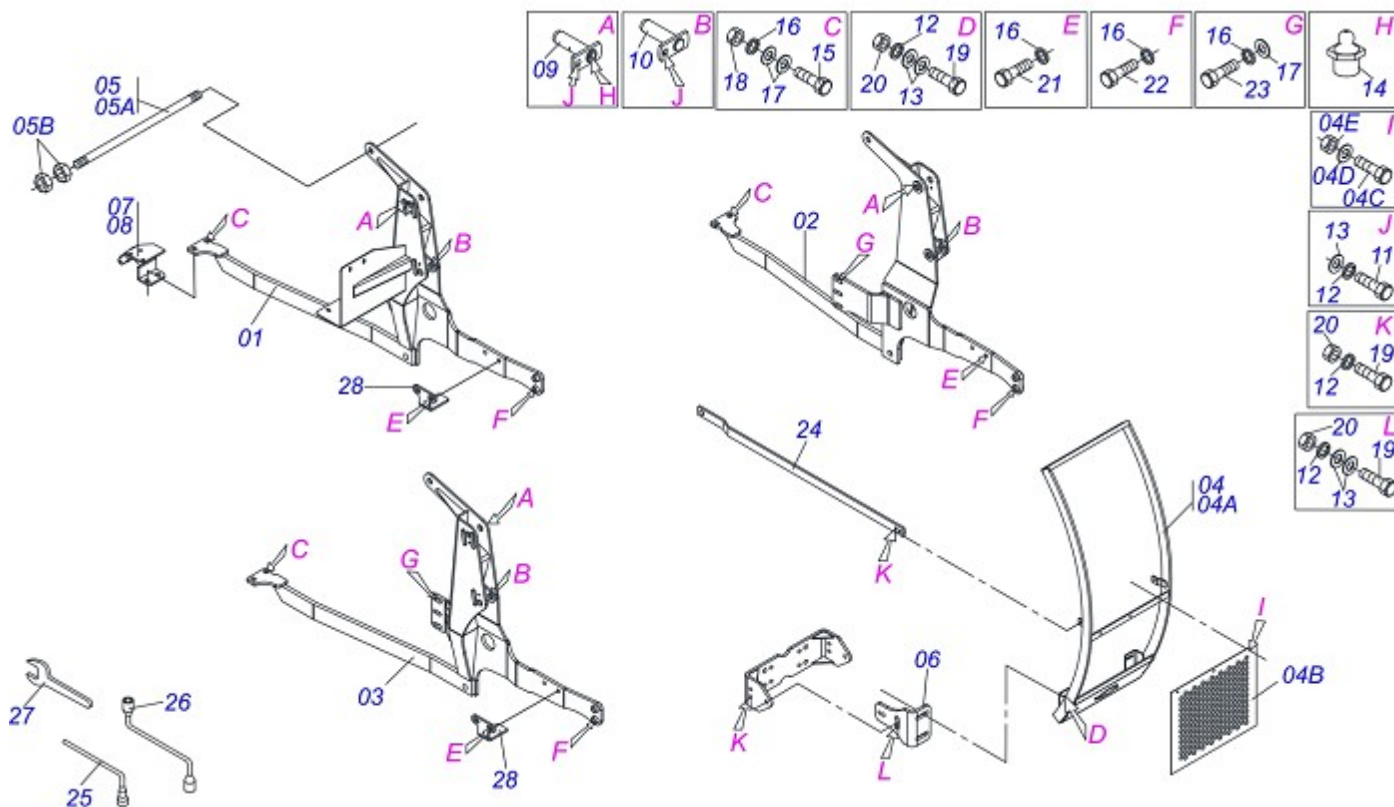


# INDEX

0909090801	CHASSI NH TL 75E/85E/95E-4 SHT-BT GAL S-0813	.....	1
0909090802	SUPT.MOVEL NH TL 75E/85E/95E-4 SHT-BT GAL S-0813	.....	2
0909090803	CIRC.HIDR. NH TL 75E/85E/95E-4 BT CD S-0813	.....	3
0909090804	CIRC HIDR NH TL 75E/85E/95E-4 BT-SC S-0813	.....	4
0909090805	CIRC HIDR NH TL 75E/85E/95E-4 SHT S-0813	.....	5
0501044366	44,45 X 85,7 X 955 HYDR CYLINDER	.....	6
0501044367	HYDRAULIC CYLINDER	.....	7

**ATTENTION: IMPORTANT**

MARCHESAN RESERVES THE RIGHT AT ANY TIME TO MAKE IMPROVEMENTS IN THE DESIGN, MATERIAL OR SPECIFICATIONS OF MACHINERY, EQUIPMENT OR PARTS WITHOUT THEREBY BECOMING LIABLE TO MAKE SIMILAR CHANGES IN MACHINERY, EQUIPMENT OR PARTS PREVIOUSLY SOLD.



Item	Code	Description	QT
01	0521064655		01
02	0521064403		01
03	0521064404		01
04	0511049956	MOBILE SUPPORT GUIDE ASSY	01
04A	0521062696	GUIDE SUPPORT MOBILE	01
04B	0501017431	FRONT PROTECTION	01
04C	0503010751	3/8" X 1.1/4" HEX BOLT G.5	03
04D	0501010984	FLAT WASHER	03
04E	0503010026	3/8" NUT	03
05	0501043212	ROD 1.1/4" NC X 3.818" ASSY	01
05A	0501014915	ROD 1.1/4" NC X 3.818"	01
05B	0501010087	1.1/4" UNC NUT	04
06	0571010158	FIXER GUIDE MOBILE SUPPORT	02
07	0501069121	FRAME BRACKET RIGHT	01
08	0501069122	FRAME BRACKET LEFT	01
09	0501063751	1.5" X 5.5" PIVOT SHAFT	02
10	0501063959	PIVOT SHAFT	02
11	0503010962	5/8" X 1-1/4" BOLT	04
12	0503010027	5/8" SPRING WASHER	10
13	0501012140	FLAT WASHER	12
14	0503010002	GREASE FITTING	02
15	0501010500	3/4" X 3" BOLT	08
16	0503010023	3/4" SPRING WASHER	20
17	0501010322	FLAT WASHER	16
18	0503010014	3/4" NUT	04
19	0501010100	5/8" X 2" BOLT	08
20	0503010013	5/8" NUT	08
21	0503013896	M20 X 2,5 BOLT	04
22	0503013366	M20 X 0.0984" X 4.33 BOLT	04
23	0503013110	M20 X 2" BOLT	08
24	0521064405		02
25	0501061617	1" WRENCH CYLINDRICAL HEX	01
26	0501068213	5/8" WRENCH DOUBLE	01



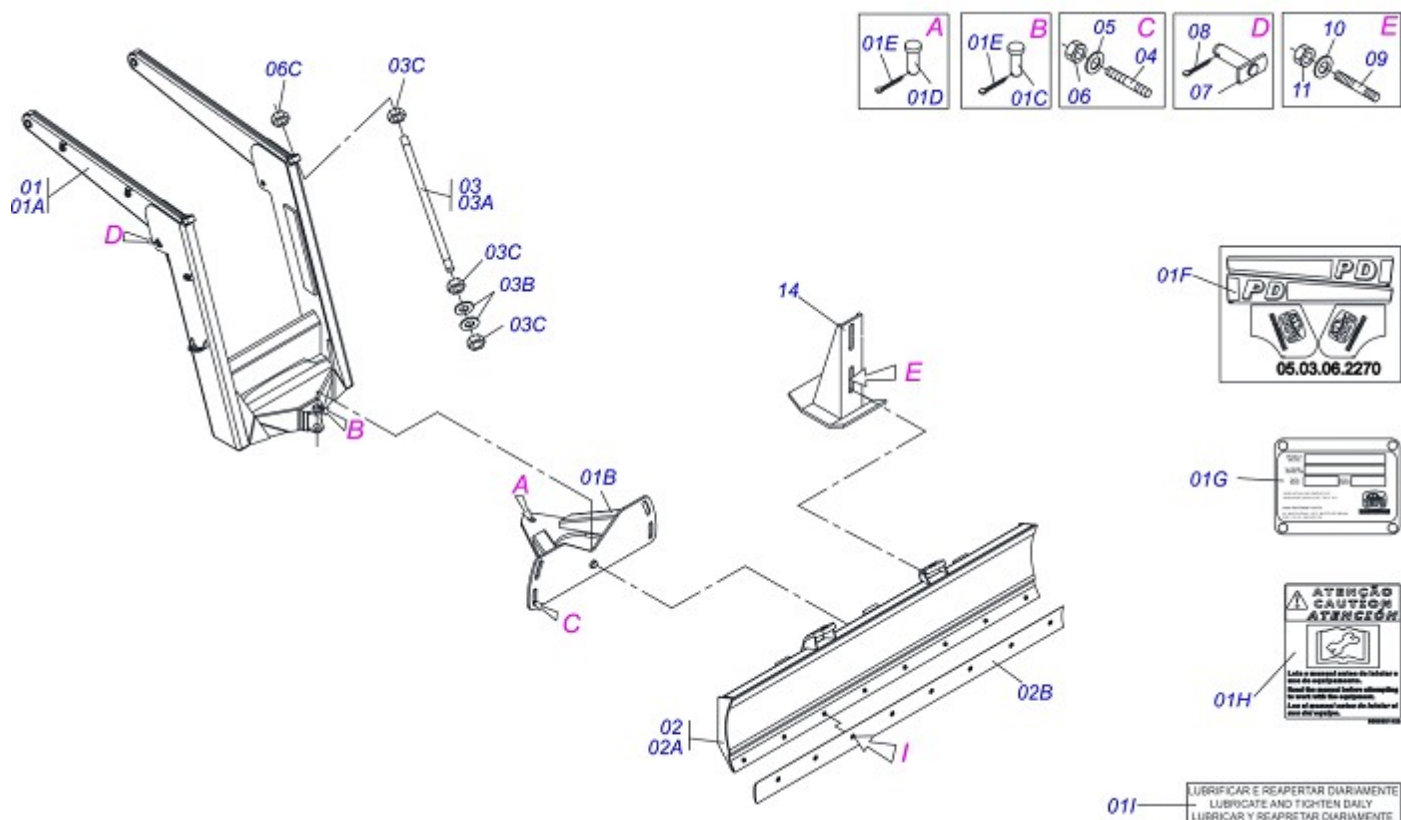
PD NH TL 75E/85E/95E-4 SHT GAL S-0813

Page 1

CHASSI NH TL 75E/85E/95E-4 SHT-BT GAL S-0813

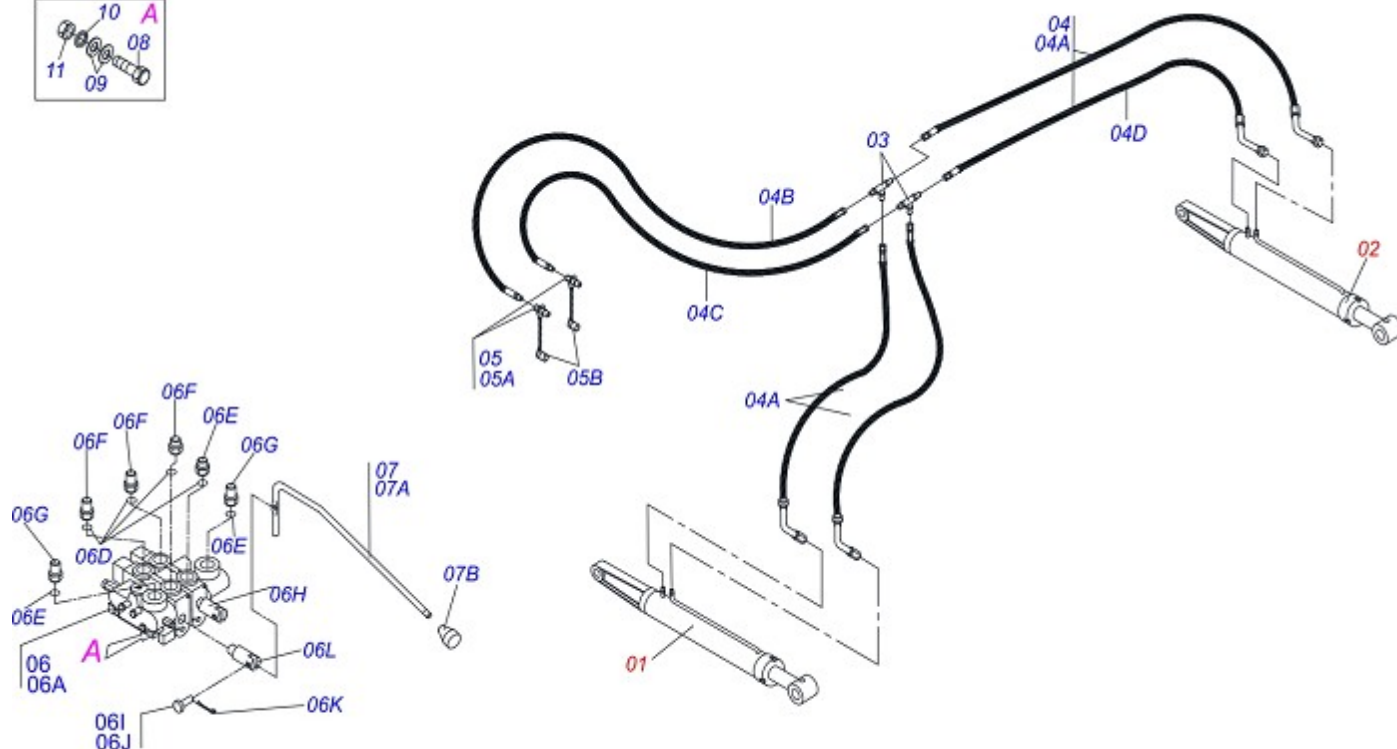
0909090801

Item	Code	Description	QT
27	0511010153	2-5/16" FIXED WRENCH	01
28	0571014616		02

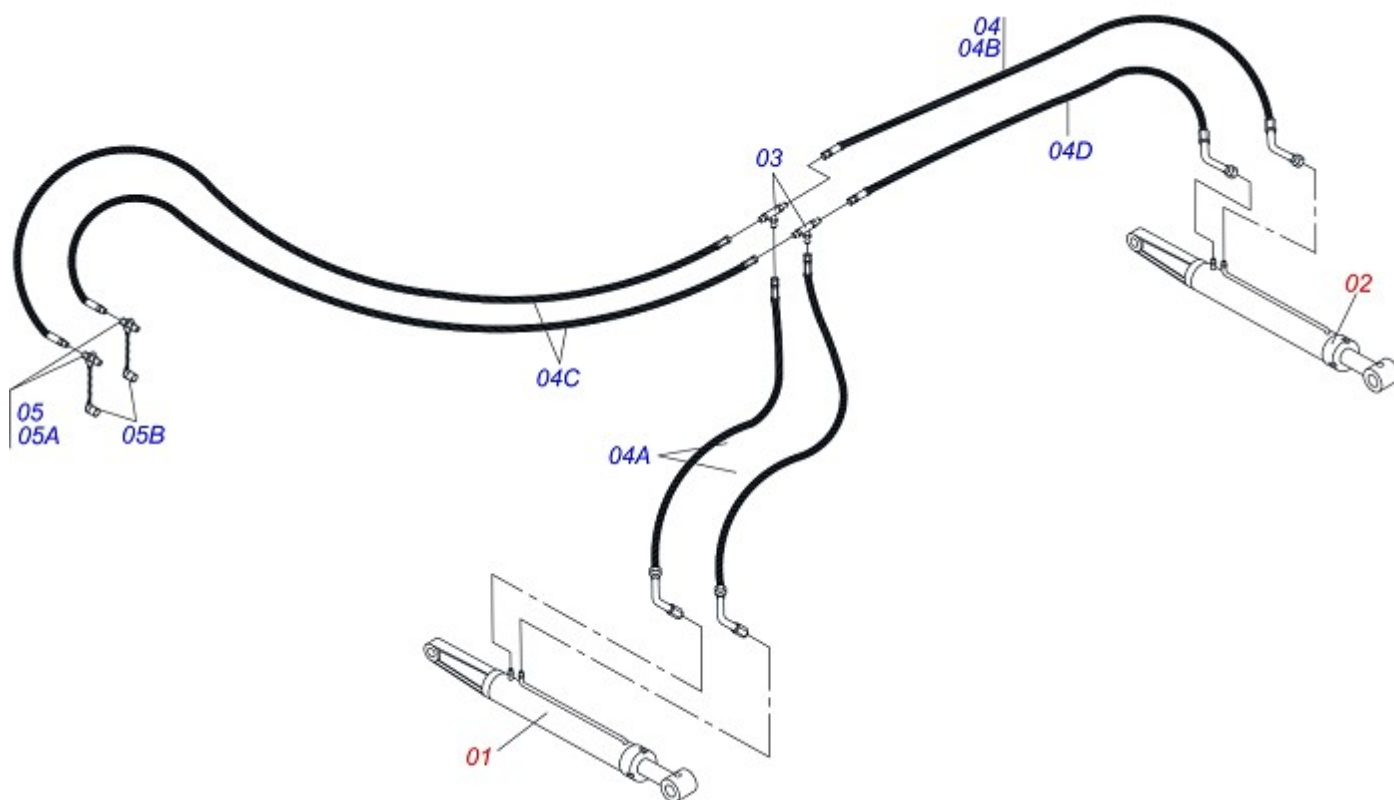


Item	Code	Description	QT
00	0909090802	SUPT.MOVEL NH TL 75E/85E/95E-4 SHT-BT GAL	01
01	0521040730	MOBILE SUPPORT ASSY	01
01A	0521062944	MOBILE SUPPORT PD JD 6300	01
01B	0501062637	5/8" REGULATOR SUPPORT	01
01C	0521060618	63,50 X 309 CYLINDER CASE	01
01D	0521010612	1.4" X 3.5" COUPLING SHAFT	01
01E	0503010010	1/4" X 2.1/2" COTTERPIN	02
01F	0503062270	SET LABEL ADHESIVE	01
01G	0503034003		01
01H	0503031428	ADHESIVE LABEL ATTENTION	01
01I	0503031827	ADHESIVE LABEL	01
02	0501047708	2400 BLADE SUPPORT	01
02A	0501067999	2390 BLADE SUPPORT	01
02B	0622360016	94.5" SCRAPER REVERSIBLE	01
02C	0501012240	5/8" X 2-1/2" BOLT	08
02D	0503010013	5/8" NUT	08
02E	0503010027	5/8" SPRING WASHER	08
02F	0501012140	FLAT WASHER	08
03	0501041427	1.1/4" NC X 1540 ROD	02
03A	0501014250	1.1/4" X 1540 ROD	02
03B	0502012180	CONICAL SPRING WASHER	02
03C	0501010087	1.1/4" UNC NUT	04
04	0561016755	PRISONER 1 UNC X 1 UNC X 76 ZN	04
05	0501010574	FLAT WASHER	04
06	0501010059	1" NUT HEX	04
07	0521063354	COUPLING SHAFT	02
08	0503010534	3/8" X 2-1/2" COTTERPIN	02
09	0561016756	3/4 UNC X 3/4 UNC X 56 PRISONER	04
10	0501010322	FLAT WASHER	04
11	0503010014	3/4" NUT	04

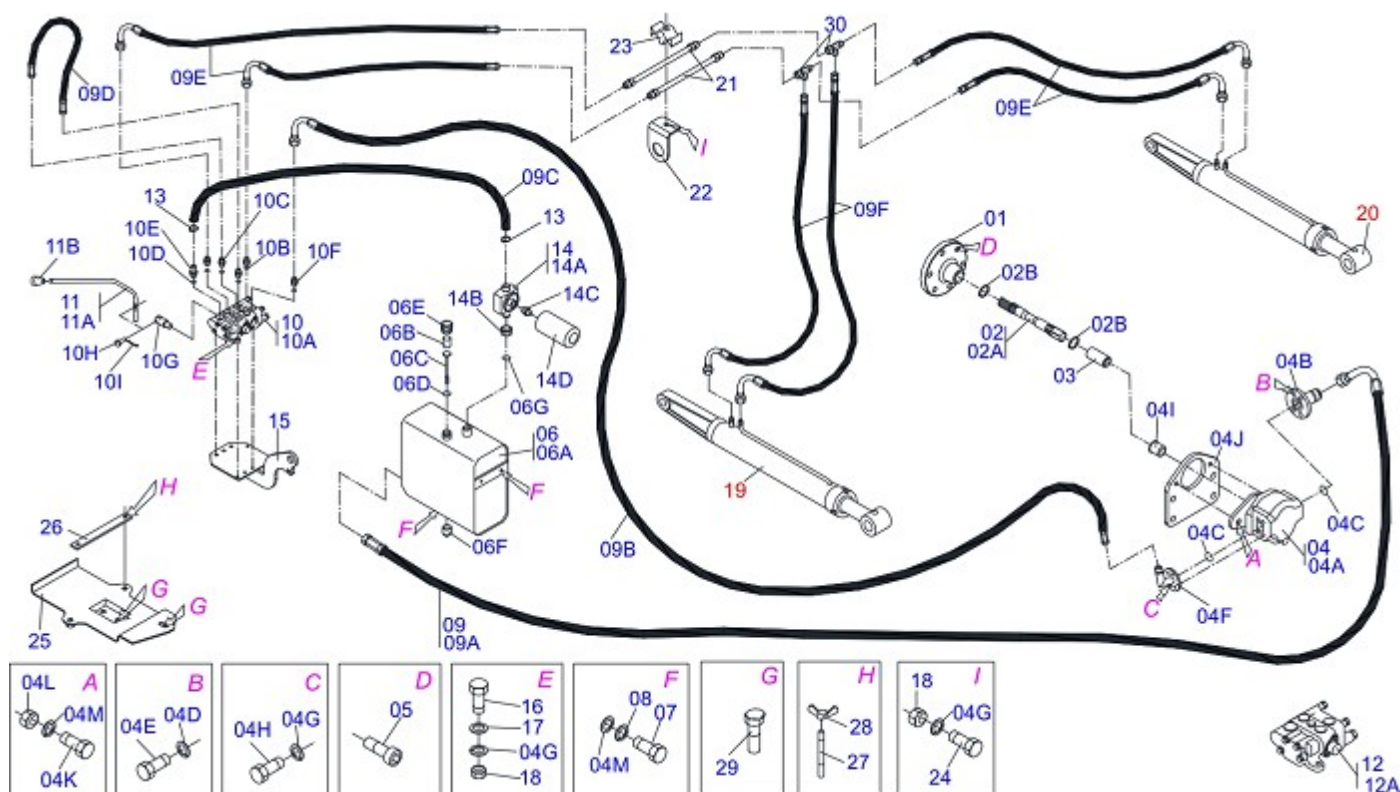




Item	Code	Description	QT
01	0501044366	44,45 X 85,7 X 955 HYDR CYLINDER	01
02	0501044367	HYDRAULIC CYLINDER	01
03	0503012341	"T" 7/8" ADAPOR GIRAT NUT	02
04	0511054633		01
04A	0501080825	1/2" X 1100 TR-TC HOSE	04
04B	0501080119	1/2" X 1200" TR-TC HOSE	02
04C	0501080734		01
04D	0501081388		01
05	0501053834	QUICK CONECTION(MALE)1/2NPT	02
05A	0503011627	QUICK CONNECTION (MALE) AGR 1/2 NPT	02
05B	0503011882	QUICK CONNECTION COVER	02
06	0501049267		01
06A	0501049267		01
06B	0503060081	1/2" DOUBLE COMMAND	01
06C	0503012705		01
06D	0503010045	2-116 N 3006-9B O'RING	04
06E	0503011109	2-119 N 3006-9B O'RING	03
06F	0501010590	7/8" HEX NIPPLE	04
06G	0511018014	7/8"NF X 1.1/16 UN NIPPLE	03
06H	0503030347	UPPER LEVER ASSY (SAUER DANFOSS)	02
06I	0521010532	0.3" X 0.9" COUPLING SHAFT	01
06J	0521010533	0.3" X 1" COUPLING SHAFT	01
06K	0503010140	1/8" X 3/4" COTTERPIN	02
06L	0503030387	PLUG CYLINDRICAL	07
07	0501047446	CONTROL VALVE (P/COM 1/2 PCA)	02
07A	0501068681	1/2" CONTROL VALVE	02
07B	0503030878	LEVER CRANK	02
08	0501010080	3/8" X 1-1/2" BOLT	03
09	0501010984	FLAT WASHER	03
10	0503010025	3/8" SPRING WHASHER	03
11	0503010026	3/8" NUT	03



Item	Code	Description	QT
04	0511054286		01
01	0501044366	44,45 X 85,7 X 955 HYDR CYLINDER	01
02	0501044367	HYDRAULIC CYLINDER	01
03	0503012341	"T" 7/8" ADAPOR GIRAT NUT	02
04A	0503033158	BAG PLASTIC 800 X 1000 X 0,12	01
04B	0501080861		02
04C	0501080825	1/2" X 1100 TR-TC HOSE	02
04D	0501080119	1/2" X 1200" TR-TC HOSE	02
05	0501053834	QUICK CONECTION(MALE)1/2NPT	02
05A	0503011627	QUICK CONNECTION (MALE) AGR 1/2 NPT	02
05B	0503011882	QUICK CONNECTION COVER	02

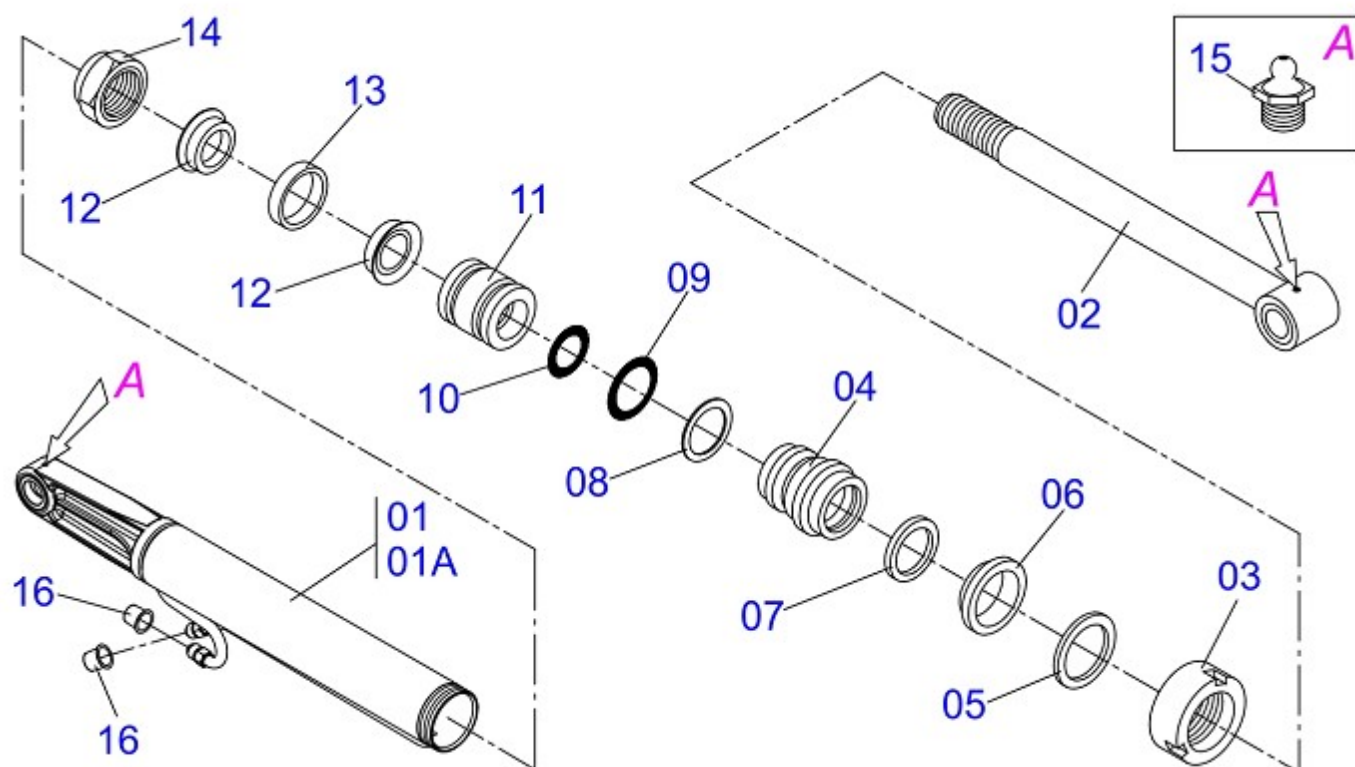


Item	Code	Description	QT
01	0503050064		01
02	0511050552		01
02A	0521062023		01
02B	0503010174	501028 CLAMPING RING (FOR AXLE)	02
03	0503030838	1-1/8" X 2.4" SLEEVE COUPLING	01
04	0521043583		01
04A	0503060153	40L 1/2" PUMP	01
04B	0521064642		01
04C	0503010173	2-220 N 3006-9B O'RING	01
04D	0503010180	7/16" SPRING WASHER	04
04E	0503010355	7/16" X 1" BOLT	04
04F	0501067702	PUMP PRESSURE TUBE	01
04G	0503010025	3/8" SPRING WHASHER	09
04H	0503010237	3/8" X 1" HEX BOLT G5	04
04I	0503030388	PLUG CYLINDRICAL	01
04J	0571015320		01
04K	0503010740	1/2" X 2" BOLT	02
04L	0503010060	1/2" NUT	02
04M	0503010019	1/2" SPRING WASHER	02
05	0503010728	M10 X 1.2" BOLT	06
06	0501047807	RESERVOIR OIL ASSY	01
06A	0501068880	RESERVOIR OIL	01
06B	0503030044	FILTERING ELEMENT	01
06C	0501060975	OIL GAGE	01
06D	0503010185	2-221 N 3006-9B O'RING	01
06E	0502020472	TANK COVER BODY	01
06F	0503031604	1/2" BSP PLUG	01
06G	0503010046	2-216 N 3006-9B O'RING	01
07	0501010161	1/2" X 1-1/4" BOLT	04
08	0511017302	FLAT WASHER	04
09	0511054634		01
09A	0501080873		01
09B	0501081914		01

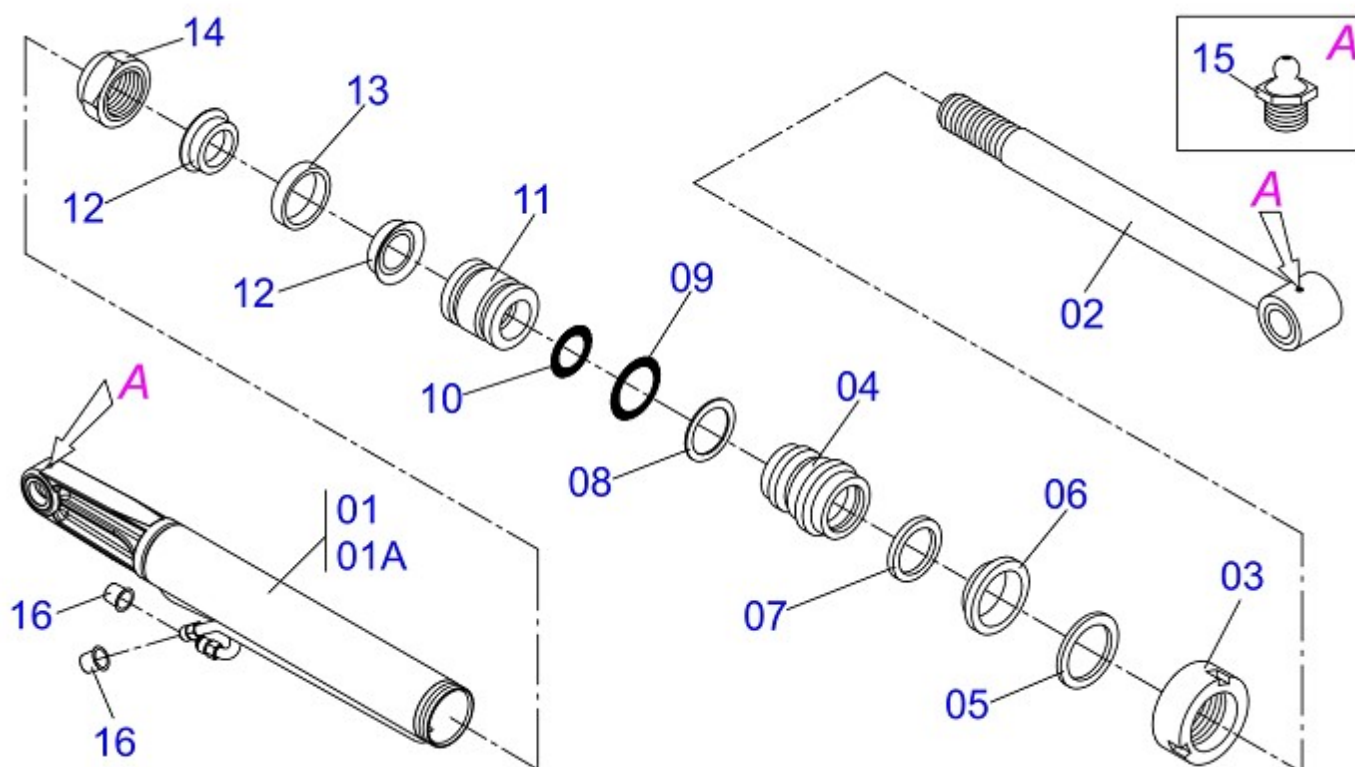




Item	Code	Description	QT
09C	0501018430	1" X 35.4" TC-TM HOSE ASSY	01
09D	0501080120	1/2" X 400 TR-TR HOSE	01
09E	0501080119	1/2" X 1200" TR-TC HOSE	04
09F	0501080825	1/2" X 1100 TR-TC HOSE	02
10	0501059952		01
10A	0503060016	1/2"DOUBLE COMMAND	01
10B	0503010045	2-116 N 3006-9B O'RING	04
10C	0501010590	7/8" HEX NIPPLE	04
10D	0503011109	2-119 N 3006-9B O'RING	02
10E	0501010591	HOSE NIPPLE	01
10F	0501010589	1-1/16 NIPPLE	01
10G	0503030347	UPPER LEVER ASSY (SAUER DANFOSS)	02
10H	0521010533	0.3" X 1" COUPLING SHAFT	02
10I	0503010140	1/8" X 3/4" COTTERPIN	02
11	0501047446	CONTROL VALVE (P/COM 1/2 PCA)	02
11A	0501068681	1/2" CONTROL VALVE	02
11B	0503030878	LEVER CRANK	02
12	0501040871	1/2" COMMAND SIMPLE ASSY	01
12A	0503060080	1/2" COMMAND SIMPLE	01
13	0503016022		06
14	0501041108	RETURNING FILTER ASSY	01
14A	0502050002	RETURNING FILTER HEAD	01
14B	0501010594	1" NUT HEX	01
14C	0501010595	1" NF NIPPLE	01
14D	0503010183	RETURNING FILTER	01
15	0521064406		01
16	0501010080	3/8" X 1-1/2" BOLT	03
17	0501010984	FLAT WASHER	03
18	0503010026	3/8" NUT	05
19	0501044366	44,45 X 85,7 X 955 HYDR CYLINDER	01
20	0501044367	HYDRAULIC CYLINDER	01
21	0521064407		02
22	0571014698		02
23	0502012702	BODY SUPPORT CLAMP	02
24	0503010751	3/8" X 1.1/4" HEX BOLT G.5	02
25	0511067216	BATTERY SUPPORT	01
26	0541019289	FIXER BAR BATTERY	01
27	0501016988	PRISONER 3/8 NC X 3/8 NC X 270	01
28	0503010209	3/8" UNC BUTTERFLY NUT	02
29	0503013897	M10 X 1,25 BOLT	03
30	0503012341	"T" 7/8" ADAPOR GIRAT NUT	02



Item	Code	Description	QT
01	0501044366	44,45 X 85,7 X 955 HYDR CYLINDER	01
01A	0501069000	85,7" X 483" BODY RIGHT	01
02	0501068012	44,45 X 682 ROD	01
03	0503010993		01
04	0502010781	RING SUPPORT	01
05	0503010761	D-1750 SCRAPER RING	01
06	0503010990	GASKET	01
07	0503010949	W2-2000-500 PK RING G.E	01
08	0503011060	8-336 BACK-UP RING	01
09	0503010976	2-336 N 3006-9B O'RING	01
10	0503010042	2-214 N 3006-9B O'RING	01
11	0502010843	1.8" X 3.4" PISTON	01
12	0503010170	PACKING 3120 2750	02
13	0503010948	W4-3346-590 PK RING G.E	01
14	0503010063	1" SELF-ALIGNING NUT	01
15	0503010002	GREASE FITTING	02
16	0503030387	PLUG CYLINDRICAL	02



Item	Code	Description	QT
01	0501044367	HYDRAULIC CYLINDER	01
01A	0501069001	85,7" X 483" BODY LEFT	01
02	0501068012	44,45 X 682 ROD	01
03	0502010993	DETACHABLE COVER	01
04	0502010781	RING SUPPORT	01
05	0503010761	D-1750 SCRAPER RING	01
06	0503010990	GASKET	01
07	0503010949	W2-2000-500 PK RING G.E	01
08	0503011060	8-336 BACK-UP RING	01
09	0503010976	2-336 N 3006-9B O'RING	01
10	0503010042	2-214 N 3006-9B O'RING	01
11	0502010843	1.8" X 3.4" PISTON	01
12	0503010170	PACKING 3120 2750	02
13	0503010948	W4-3346-590 PK RING G.E	01
14	0503010063	1" SELF-ALIGNING NUT	01
15	0503010002	GREASE FITTING	02
16	0503030387	PLUG CYLINDRICAL	02





**MARCHESAN IMPLEMENTOS E MÁQUINAS AGRÍCOLAS TATU S.A.**  
AV. Marchesan, 1979 - Post office box, 131 - CEP 15994-900 - Matão - SP - Brazil  
Phone +55 16.3382-8282  
(FAX Parts) + 55 16.3382. 8297 - (Export) + 55 16.3382.1003  
e.mail: [tatu@marchesan.com.br](mailto:tatu@marchesan.com.br)    [www.marchesan.com.br](http://www.marchesan.com.br)

*Drafting and Illustration = GASPARI*  
*e.mail = [jgaspari@marchesan.com.br](mailto:jgaspari@marchesan.com.br)*

**ORIGINAL PARTS  
TATU**

