

PARTS CATALOG

FRONT LOADER

PD.JD.5603/5078/5085E BT-SC-CD
S-0511

Code: 0501091523



Series: S-0511

Review: OUTUBRO/15

ORIGINAL PARTS
TATU

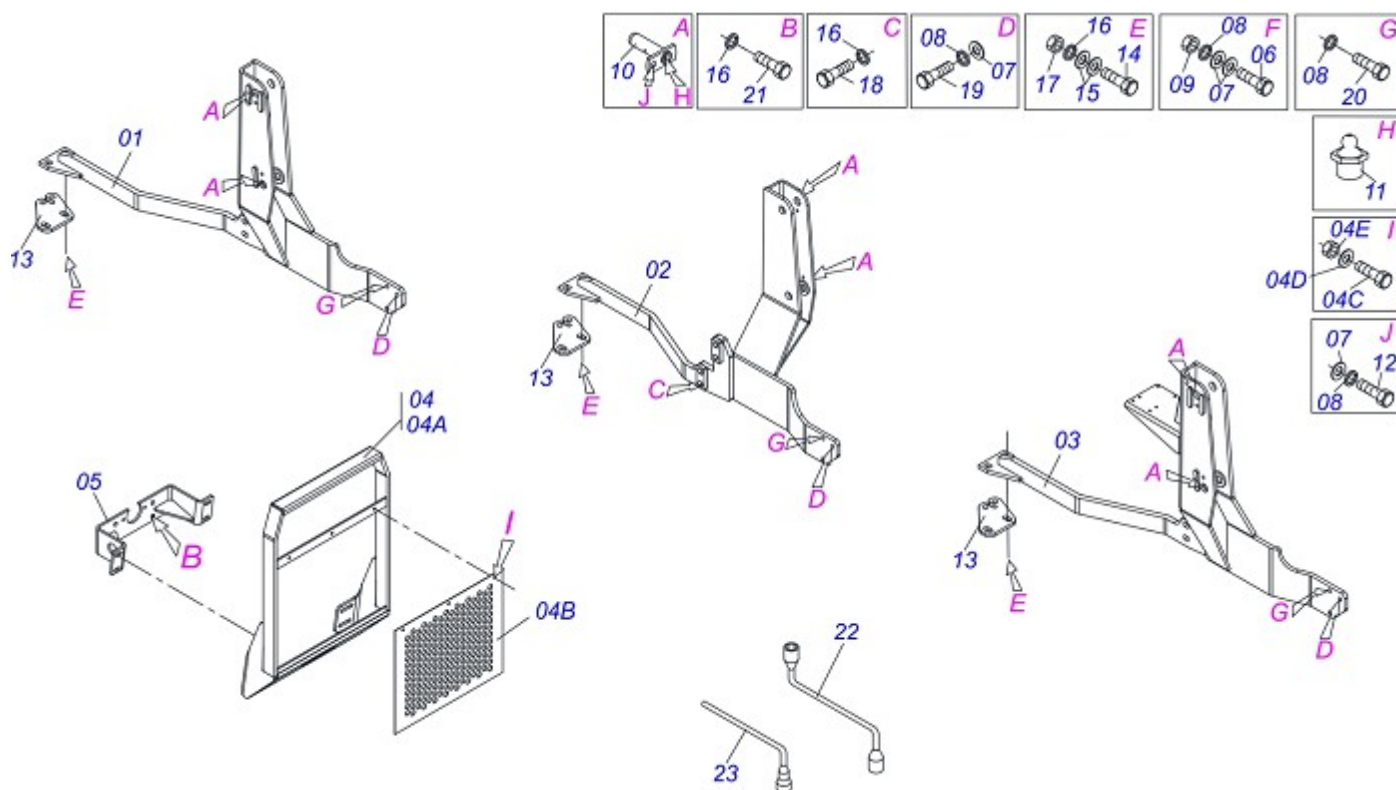


INDEX

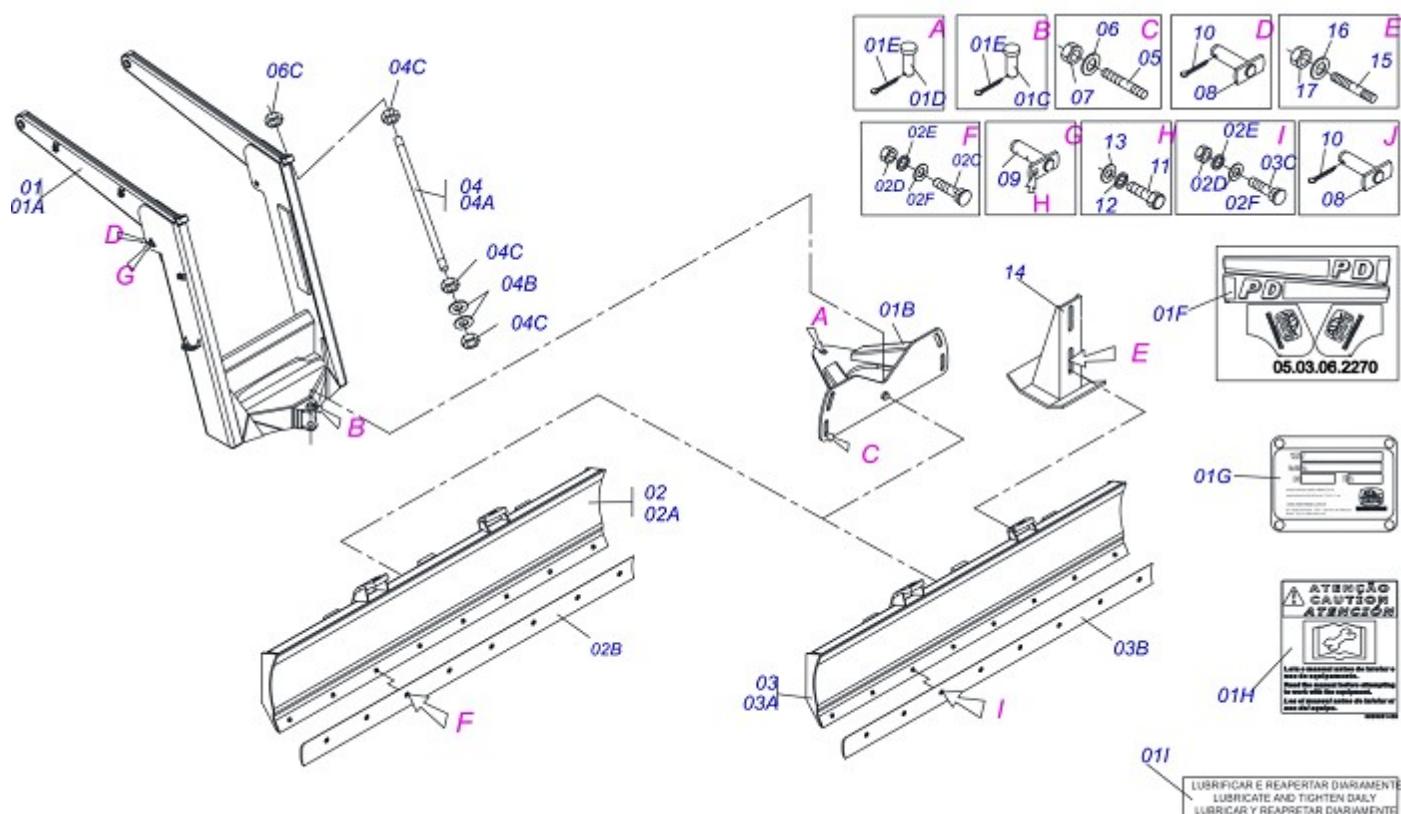
0909090791	CHASSI JD 5603/5078/5085E BT S-0511	1
0909090794	SUPT.MOVEL JD 5603/5078/5085E BT S-0511	2
0909090795	CIRC.HIDR.JD 5630/5078/5085E BT/BT-CD S-0511	3
0909090796	CIL.HIDR.44,45X85,7X1010X400 BBD/BBE	4

ATTENTION: IMPORTANT

MARCHESAN RESERVES THE RIGHT AT ANY TIME TO MAKE IMPROVEMENTS IN THE DESIGN, MATERIAL OR SPECIFICATIONS OF MACHINERY, EQUIPMENT OR PARTS WITHOUT THEREBY BECOMING LIABLE TO MAKE SIMILAR CHANGES IN MACHINERY, EQUIPMENT OR PARTS PREVIOUSLY SOLD.



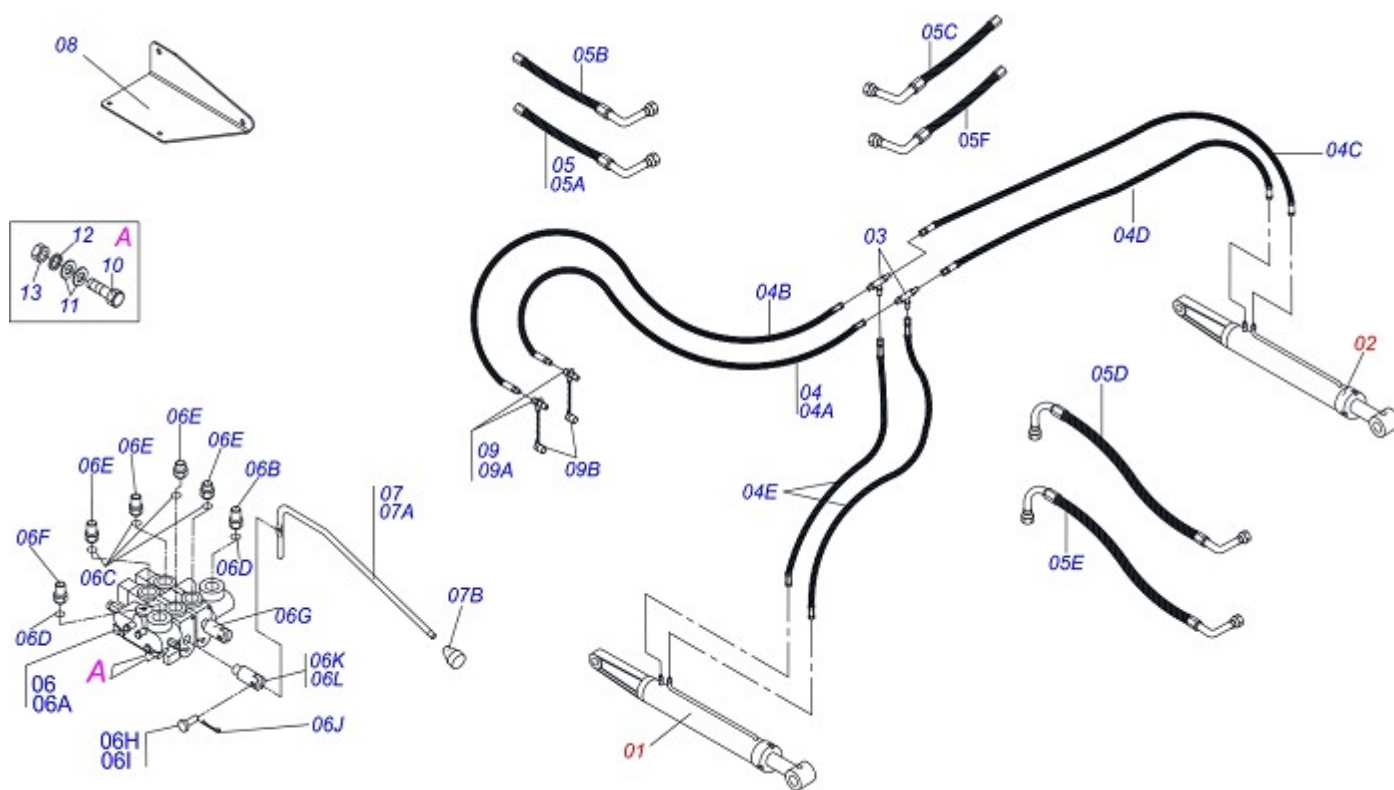
Item	Code	Description	QT
01	0511069628		01
02	0511069629		01
03	0511069627		01
04	0511046439	MOBILE SUPPORT GUIDE ASSY	01
04A	0511069391	MOBILE SUPPORT GUIDE ASSY	01
04B	0501014687	FRONT PROTECTION	01
04C	0503010751	3/8" X 1.1/4" BOLT	03
04D	0501010984	FLAT WASHER	03
04E	0503010026	3/8" NUT	03
05	0521060774		01
06	0503010233	5/8" X 2-1/2" BOLT	04
07	0501012140		13
08	0503010027		14
09	0503010013		04
10	0501063751	1.5" X 5.5" PIVOT SHAFT	04
11	0503010002		04
12	0503011267	5/8" X 1.1/2" BOLT	04
13	0561017651	ZAPATA DEL DIFERENCIAL	02
14	0501010500		04
15	0501010322	FLAT WASHER	08
16	0503010023		14
17	0503010014		04
18	0503013104	M20 X 3.1" BOLT	08
19	0503012573	M16 X 2 X 65 BOLT	02
20	0503011188	M16 X 2 X 50 BOLT	04
21	0501018246	3/4" X 3" BOLT	02
22	0501061617	1" WRENCH CYLINDRICAL HEX	01
23	0501068213	5/8" WRENCH DOUBLE	01



Item	Code	Description	QT
00	0909090794	SUPT.MOVEL JD 5603/5078/5085E BT S-0511	01
01	0511049220		01
01A	0521062943		01
01B	0501062637	5/8" REGULATOR SUPPORT	01
01C	0521010618	1.4" X 8.6" COUPLING SHAFT	01
01D	0521010612	1.4" X 3.5" COUPLING SHAFT	01
01E	0503010010		02
01F	0503062270	SET LABEL ADHESIVE	01
01G	0503034003		01
01H	0503031428	ADHESIVE LABEL ATTENTION	01
01I	0503031827	ADHESIVE LABEL	01
02	0501047708	2400 BLADE SUPPORT	01
02A	0501067999	2390 BLADE SUPPORT	01
02B	0622360016	94.5" SCRAPER REVERSIBLE	08
02C	0501012240	5/8" X 2-1/2" BOLT	08
02D	0503010013		16
02E	0503010027		16
02F	0501012140		16
03	0521040926		01
03A	0521063262		01
03B	0622360015	2000 SCRAPER REVERSIBLE	01
03C	0501012239	TORNILLO 5/8" UNC X 1.3/4"	08
04	0501041427	1.1/4" NC X 1540 ROD	02
04A	0501014250	1.1/4" X 1540 ROD	02
04B	0502012180	CONICAL SPRING WASHER	04
04C	0501010087		08
05	0561016755	PRISONER 1 UNC X 1 UNC X 76 ZN	04
06	0501010574	FLAT WASHER	04
07	0501010059	1" X 1-5/8" NUT	04
08	0521063354	COUPLING SHAFT	01
09	0521063358		01
10	0503010534		02
11	0561016756	3/4 UNC X 3/4 UNC X 56 PRISONER	04



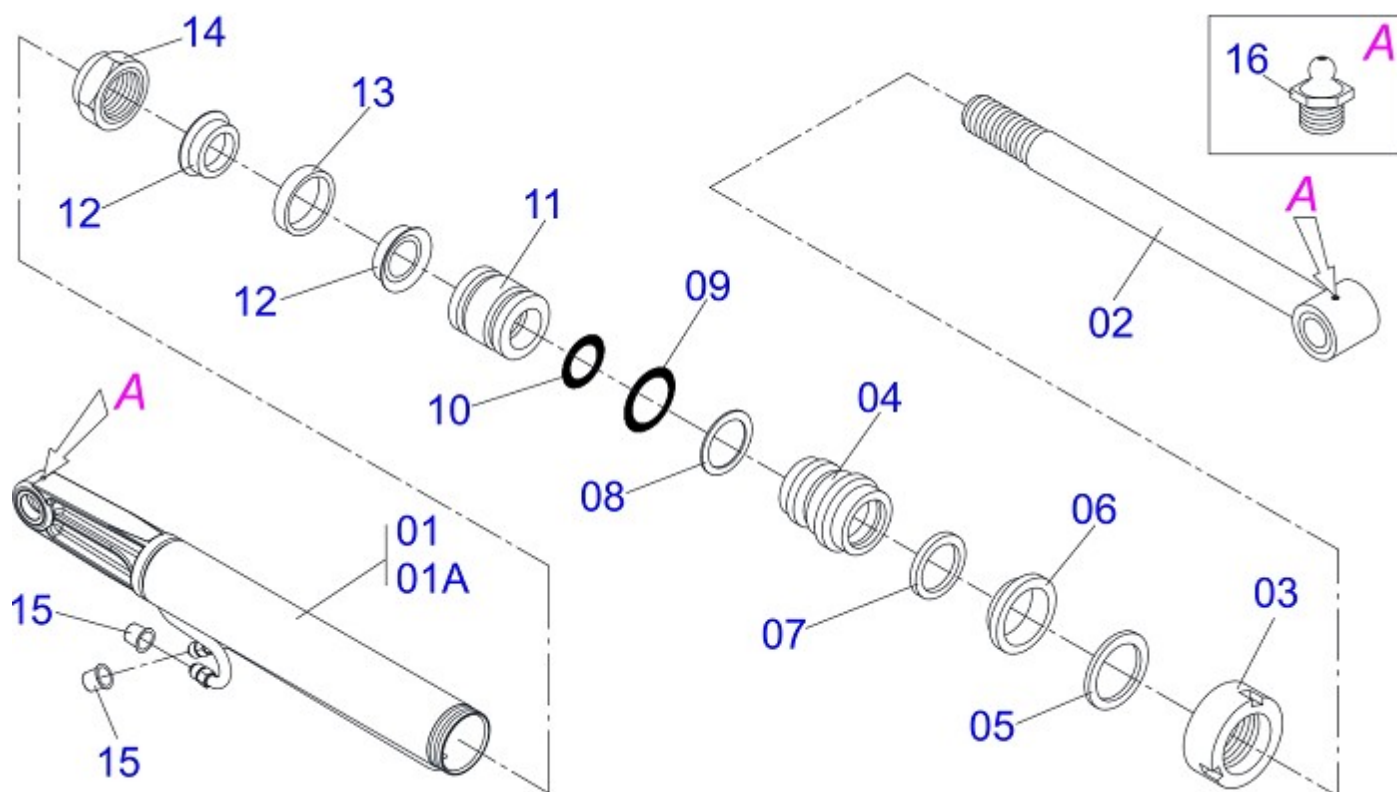
Item	Code	Description	QT
12	0501010322	FLAT WASHER	04
13	0503010014		04
14	0501063411	ESTABILIZER BRACKET	01



Item	Code	Description	SC CD COMANDO
01	0501046992	HYDRAULIC CYLINDER	01 01
02	0501046993	HYDRAULIC CYLINDER	01 01
03	0503013493	T CONNECTION MALE	02 02
04	0501059111		01 00
04A	0501080020	1/2" X 850 TR-TR HOSE	01 00
04B	0501080172		01 00
04C	0501080135		01 00
04D	0501080102	1/2" X 2200 TR-TR HOSE	01 00
04E	0501080245		02 00
05	0511050753		00 01
05A	0501080523		00 02
05B	0501080597	3/8" X 43" TC-TM HOSE	00 02
05C	0501080058		00 01
05D	0501081356		00 01
05E	0501080273		00 01
05F	0501080076	1/2" X 2500 TR-TM HOSE ASSY	00 02
06	0501048475		00 01
06A	0503060081	1/2" DOUBLE COMMAND	00 01
06B	0503012705		00 01
06C	0503010045	2-116 N 3006-9B O'RING	00 04
06D	0503011109	2-119 N 3006-9B O'RING	00 03
06E	0511010111	7/8" NIPPLE	00 04
06F	0511018014	7/8"NF X 1.1/16 UN NIPPLE	00 03
06G	0503030347	UPPER LEVER ASSY (SAUER DANFOSS)	00 02
06H	0521010532	0.3" X 0.9" COUPLING SHAFT	00 01
06I	0521010533	0.3" X 1" COUPLING SHAFT	00 01
06J	0503010140	1/8" X 3/4" COTTERPIN	00 02
06K	0503030385	PLUG CYLINDRICAL	00 04
06L	0503030387	PLUG	00 03
07	0501047446	CONTROL VALVE (P/COM 1/2 PCA)	00 01
07A	0501068681	1/2" CONTROL VALVE	00 01
07B	0503030878	LEVER CRANK	00 01
08	0561017650		01 01



Item	Code	Description	SC CD COMANDO
09	0501053835	FEMALE QUICK COUPLER	02 02
09A	0503011628	QUICK CONNECTION(FEM) AGR 1/2 NPT	02 02
09B	0503011883	QUICK CONNECTION COVER	02 02
10	0501010080	3/8" X 1-1/2" BOLT	00 03
11	0501010984	FLAT WASHER	00 03
12	0503010025	3/8" SPRING WHASHER	00 03
13	0503010026	3/8" NUT	00 03



Item	Code	Description	QT
00	0501046992	HYDRAULIC CYLINDER	01
00A	0501046993	HYDRAULIC CYLINDER	01
01	0501068206	RIGHT 85,72 X 855 CYLINDER CASE	01
01A	0501068207	LEFT 85,72 X 855 CYLINDER CASE	01
02	0501068208	44,45 X 670 TURNBUCKLE	01
03	0502010993	DETACHABLE COVER	01
04	0502010781	RING SUPPORT	01
05	0503010761	D-1750 SCRAPER RING	01
06	0503010990	GASKET	01
07	0503010949	W2-2000-500 PK RING G.E	01
08	0503011060	8-336 BACK-UP RING	01
09	0503010976	2-336 N 3006-9B O'RING	01
10	0503010042	2-214 N 3006-9B O'RING	01
11	0502010843	1.8" X 3.4" PISTON	01
12	0503010170	GASKET	02
13	0503010948	W4-3346-590 PK RING G.E	01
14	0503010063	1" SELF-ALIGNING NUT	01
15	0503030387	PLUG	02
16	0503010002	PLUG	02



MARCHESAN IMPLEMENTOS E MÁQUINAS AGRÍCOLAS TATU S.A.
AV. Marchesan, 1979 - Post office box, 131 - CEP 15994-900 - Matão - SP - Brazil
Phone +55 16.3382-8282
(FAX Parts) + 55 16.3382. 8297 - (Export) + 55 16.3382.1003
e.mail: tatu@marchesan.com.br www.marchesan.com.br

Drafting and Illustration = GASPARI
e.mail = jgaspari@marchesan.com.br

**ORIGINAL PARTS
TATU**

