

PARTS CATALOG

CHASER BIN

DCO/V 5500

Code: 0501091518



Series: S-0206

Review: JANEIRO/2014

ORIGINAL PARTS
TATU



PRODUCTS

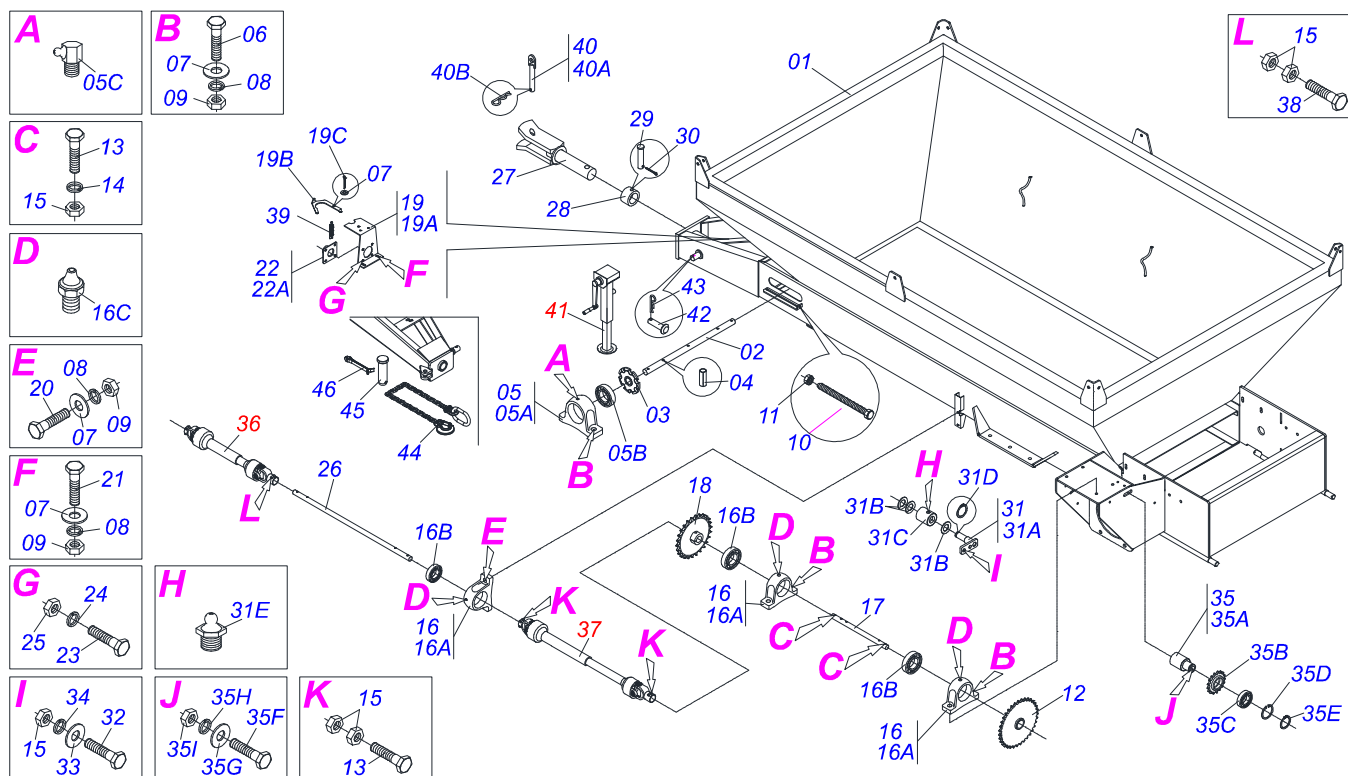
Code	Description
0109090100	DCO/V 5500 C/KIT S-0206
0109090091	DCO/V 5500 S-0206
0109090104	DCO/V 5500 C/DIREC C/KIT S-0206
0109090102	DCO/V 5500 C/DIRECCIONADOR S-0206
0109090207	DCO/V 5500 C/KIT PNEU 11L15 S-0206
0109090148	DCO/V 5500 C/KIT BITOLA 2M S-0206
0109090119	DCO/V 5500 C/KIT DCCO MONT BIC/DESM
0109090108	DCO/V 5500 C/KIT DCCO MONTADO S-206

ATTENTION: **IMPORTANT**

MARCHESAN S/A RESERVES THE RIGHT AT ANY TIME TO MAKE IMPROVEMENTS IN THE DESIGN, MATERIAL OR SPECIFICATIONS OF MACHINERY, EQUIPMENT OR PARTS WITHOUT THEREBY BECOMING LIABLE TO MAKE SIMILAR CHANGES IN MACHINERY, EQUIPMENT OR PARTS PREVIOUSLY SOLD.

INDEX

0909094379	FRAME FRONT FULL	1
0909090784	FRAME REAR COMPLETE	2
0501048241	DRIVE SHAFT	3
0501048783	DRIVE SHAFT	4
0511041259	DRAWBAR JACK ASSY	5
0501047985	REDUCER	6
0909090787	ROCKER ARM ASSY	7
0511049504	BALANCER FIXED SUPPORT ASSY	8
0501051142	CARRYING WHEEL HUB	9
0909091496	KIT DCOV	10
0909092768	CONTROLLER ASSY	11



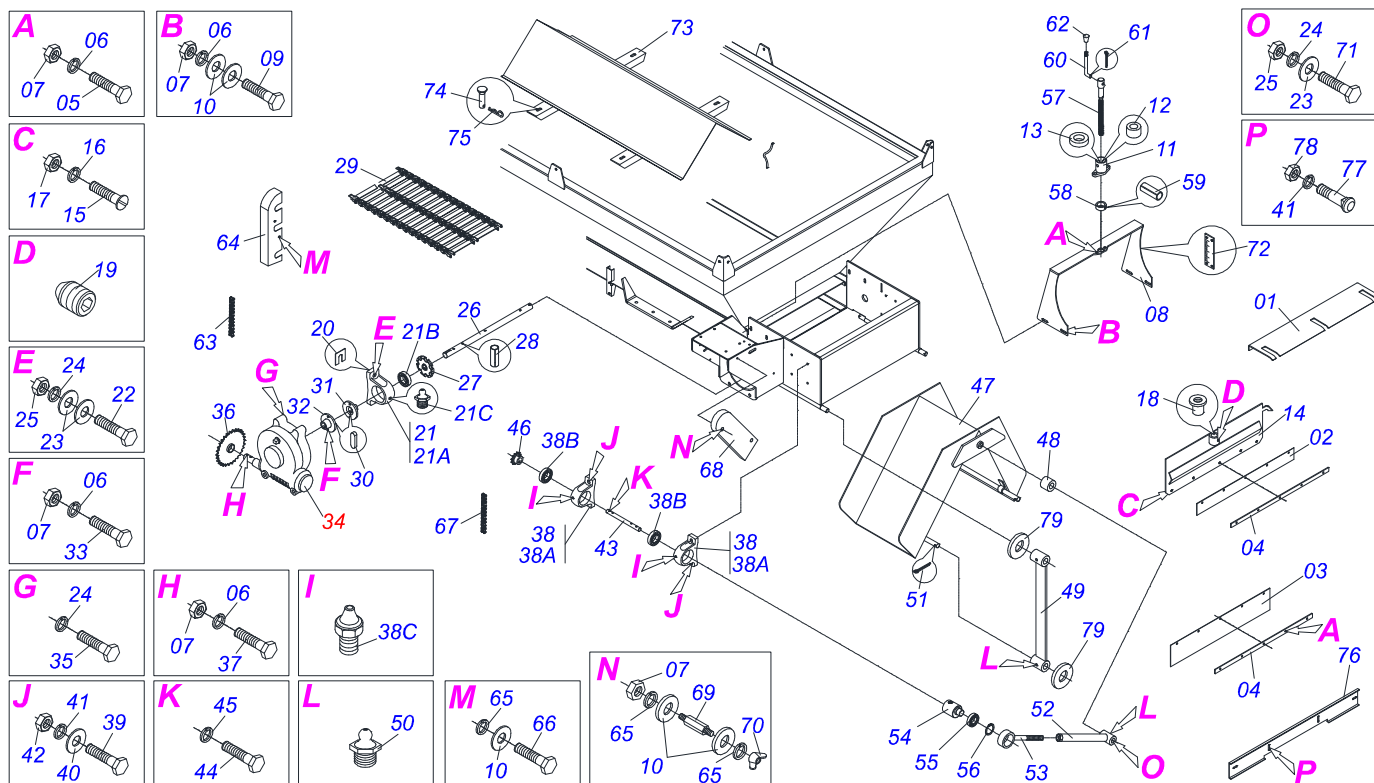
Item	Code	Description	QT
01	0511067507	DCO/V 5500 S-0206 BUCKET	01
02	0531014345	DRIVEN AXLE	01
03	0502040728	7Z GEAR	03
04	0503010361	SPRING PIN	03
05	0501044308	AGRICULTURAL BEARING ASSY	02
05A	0502011050	AGRICULTURAL HOUSING BEARING	02
05B	0503011163	1108/UCR BEARING ASSY	02
05C	0503010004	1890 GREASE FITTING	02
06	0503010740	1/2" X 2" BOLT	08
07	0511017302	FLAT WASHER	13
08	0503011440	SPRING WASHER	12
09	0503010060	1/2" NUT	12
10	0501067853	ROD STABILIZER	02
11	0503010013	5/8" NUT	02
12	0501069020	35Z GEAR	01
13	0503011268	3/8" X 2-1/2" BOLT	04
14	0503011443	SPRING WASHER	01
15	0503010026	3/8" NUT	10
16	0511041213	AGRICULTURAL BEARING	02
16A	0502011954	AGRICULTURAL HOUSING BEARING	02
16B	0503011884	BALL BEARING	02
16C	0503010691	1/4" GREASE FITTING	02
17	0551010646	LARGER TRANSMISSION AXLE	01
18	0511062448	26Z P0.6" GEAR	01
19	0501056885	CARDAN LEVER SUPPORT	01
19A	0501066588	CARDAN LARGE SUPPORT	01
19B	0511014066	CARDAN SMALLE SUPPORT	01
19C	0503010257	1/8" X 1" COTTERPIN	01
20	0503010920	1/2" X 1.1/2" BOLT	02
21	0503011082	C1/2" X 1.3/4" BOLT	02
22	0501044306	BATH BEARING	01
22A	0503011146	HOUSING BEARING	01
23	0503011102	PARAFUSO 7/16 UNC X 1.1/4 C S G.5	04



DCO/V 5500
FRAME FRONT FULL

Page 1
0909094379

Item	Code	Description	QT
24	0503011446	SPRING WASHER	04
25	0503010244	7/16" NUT	04
26	0521011192	1800 FRONT DRIVE AXLE	01
27	0501069166	TRACTOR HITCH	01
28	0521010681	BUSHING COUPLING BODY	01
29	0521010639	COUPLING SHAFT	01
30	0503010571	1/4" X 1.1/2 COTTERPIN	01
31	0501050829	CHAIN TENSIONER	01
31A	0501067692	BELT TENSIONER BODY	01
31B	0511015098	FLAT WASHER	02
31C	0511017041	TENSIONER ROLD	01
31D	0503010302	501019 SEAL RING	01
31E	0503010002	1800 GREASE FITTING	02
32	0503010256	3/8" X 3/4" BOLT	02
33	0501010984	FLAT WASHER	33
34	0503010025	3/8 SPRING WASHER	02
35	0501057032	CHAIN TENSIONER ASSY	01
35A	0531017086	50 AXLETIGHTENER	01
35B	0511061836	17Z GEAR	01
35C	0503011410	ROLLER BEARING	02
35D	0503011105	SEAL RING	01
35E	0503010406	501025 CLAMPING RING (FOR AXLE)	02
35F	0501011541	5/8" X 3" BOLT	01
35G	0501012140	FLAT WASHER	04
35H	0503010027	SPRING WASHER	01
35I	0503010013	5/8" NUT	02
36	0501048241	DRIVE SHAFT	01
37	0501048783	DRIVE SHAFT	01
38	0503010765	3/8" X 3" BOLT	01
39	0503030198	0.6" X 2.4" X 0.1" EXTENSION SPRING	01
40	0501047881	COUPLING SHAFT	01
40A	0501068989	COUPLING SHAFT	01
40B	0503031035	HAIR PIN	01
41	0511041259	DRAWBAR JACK ASSY	01
42	0521010549	COUPLING SHAFT	01
43	0503030168	HAIR PIN	01
44	0503013150	1300 X 3/8 CHAIN	01
45	0581011220	COUPLING SHAFT	01
46	0503010131	3/16" X 1-1/2" COTTERPIN	01



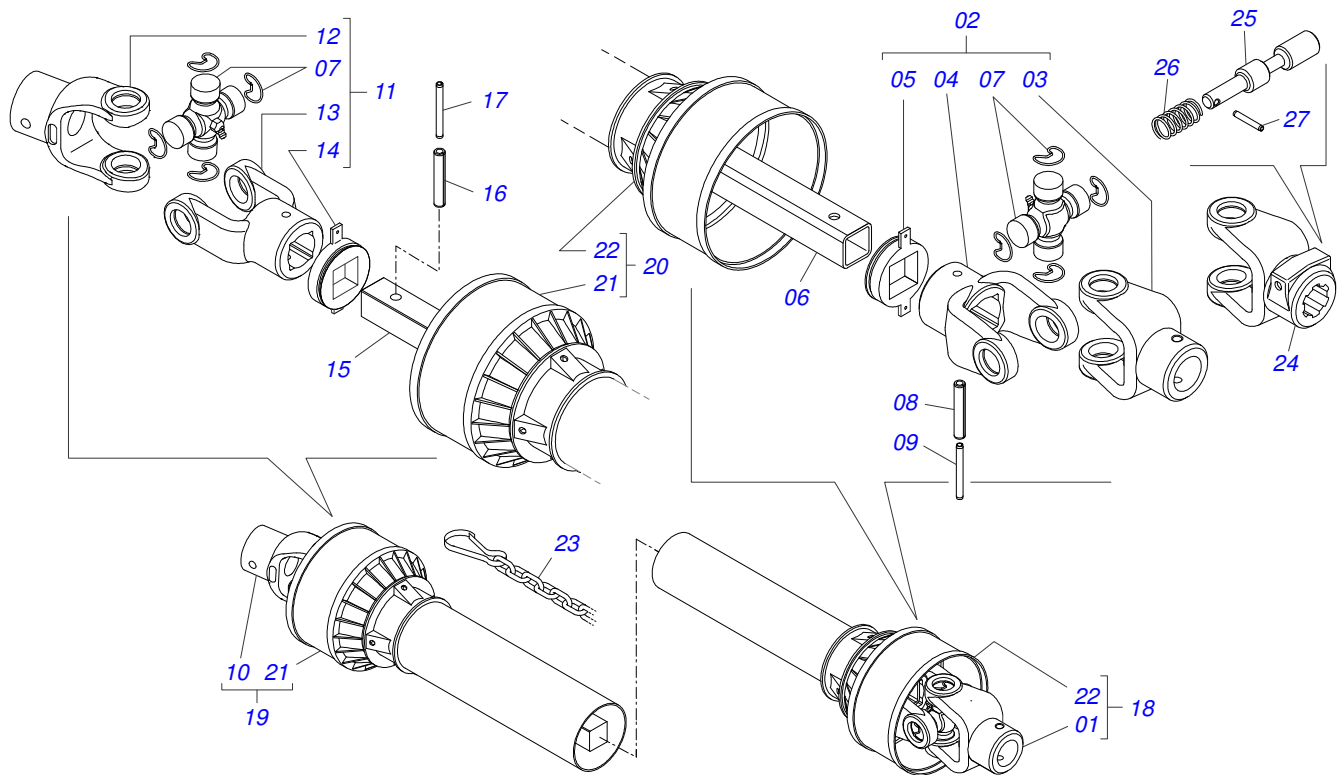
Item	Code	Description	QT
01	0531014324	TOOTH COVER	01
02	0531014336	31.4"X3.1"X 0.1" PROTECTION SMALLER	01
03	0531014337	PROTECTION LARGER	01
04	0531014331	SLUICE VALVE FIXER COVER	03
05	0503010237	3/8" X 1" BOLT	07
06	0503011443	SPRING WASHER	15
07	0503010026	3/8" NUT	17
08	0511063410	SLUICE VALVE SUPPORT	01
09	0503010751	C3/8" X 1.1/4" HEX BOLT G.5	04
10	0501010984	FLAT WASHER	16
11	0502010581	ROD BEARING	01
12	0521010457	SLEEVE	01
13	0521010458	SLEEVE	01
14	0511063413	SLUICE VALVE COVER	01
15	0503010814	5/16" X 3/4" BOLT	05
16	0503011444	SPRING WASHER	05
17	0503010337	5/16" NUT	05
18	0501019831	ADJUSTING NUT	01
19	0503011148	3/8" X 1/2" BOLT	01
20	0501010794	HIDR CHOCK REGULATOR	04
21	0501044308	AGRICULTURAL BEARING ASSY	02
21A	0502011050	AGRICULTURAL HOUSING BEARING	02
21B	0503011163	1108/UCR BEARING ASSY	02
21C	0503010004	1890 GREASE FITTING	02
22	0503010899	5/8" X 2-1/4" BOLT	04
23	0501012140	FLAT WASHER	09
24	0503011445	SPRING WASHER	09
25	0503010013	5/8" NUT	06
26	0531014346	MOTOR SHAFT	01
27	0502040728	7Z GEAR	03
28	0503010361	SPRING PIN	03
29	0511063406	DRIVE THE TRANSPORT TALISCA	01
30	0501010540	KEYWAY SQUARE	02



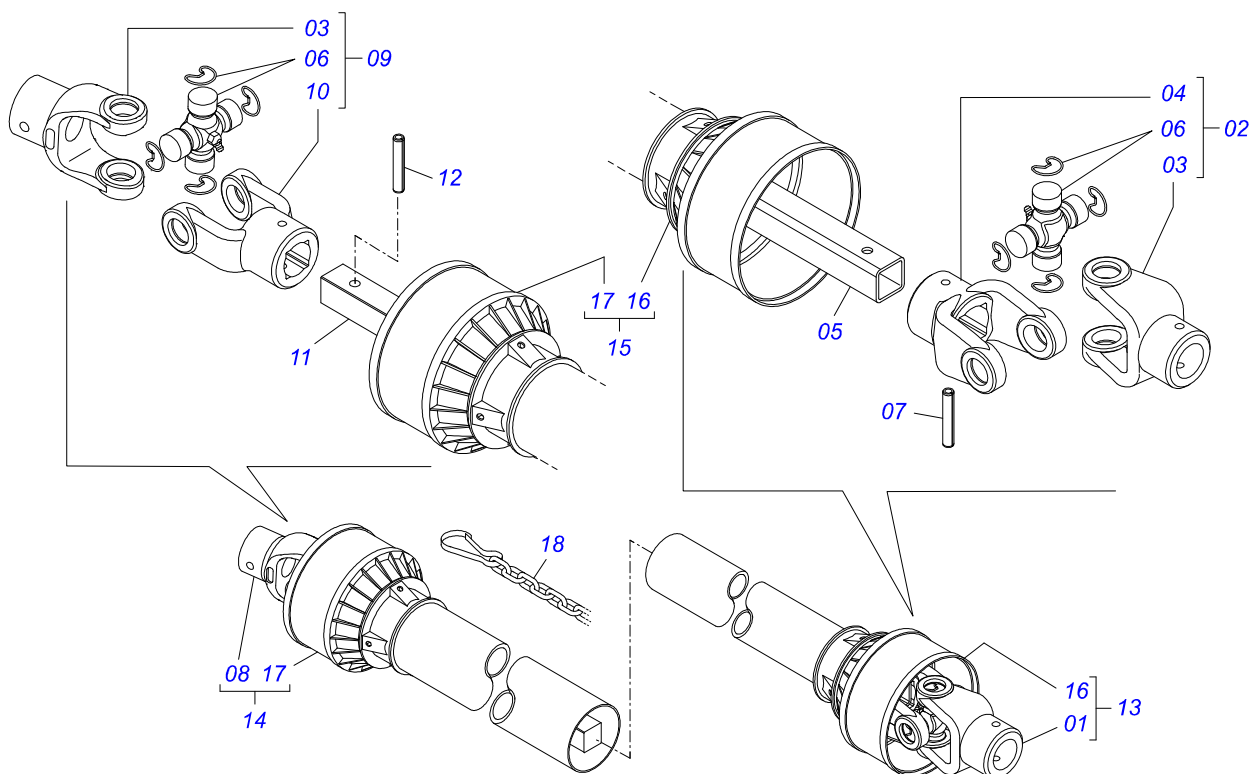
FRAME REAR COMPLETE

0909090784

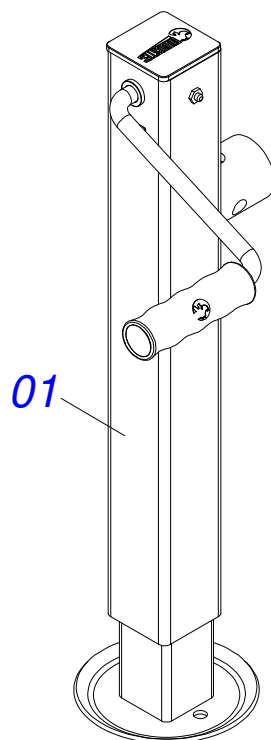
Item	Code	Description	QT
31	0511016540	MAT COUPLING FLANGE	01
32	0511016541	REDUCTION COUPLING FLANGE	01
33	0503010849	3/8" X 1-1/2" BOLT	02
34	0501047985	REDUCER	01
35	0503011167	M16 X 2 X 30 BOLT	04
36	0501069020	35Z GEAR	02
37	0503011268	3/8" X 2-1/2" BOLT	02
38	0511041213	AGRICULTURAL BEARING	04
38A	0502011954	AGRICULTURAL HOUSING BEARING	04
38B	0503011884	BALL BEARING	04
38C	0503010691	1/4" GREASE FITTING	04
39	0503010740	1/2" X 2" BOLT	08
40	0511017302	FLAT WASHER	08
41	0503011440	SPRING WASHER	10
42	0503010060	1/2" NUT	08
43	0551010647	SMALLER TRANSMISSION AXLE	01
44	0503011446	SPRING WASHER	01
45	0503010355	7/16" X 1" BOLT	01
46	0501069017	12Z GEAR	01
47	0511067546	SHATTERING SPOUT	01
48	0551010691	16,30 X 25,57 X 45 SLEEVE	01
49	0511067541	POINT MOBILE ARM	04
50	0503010002	1800 GREASE FITTING	09
51	0503010131	3/16" X 1-1/2" COTTERPIN	08
52	0511067543	LARGER JACK	01
53	0511067542	SMALLER JACK	01
54	0551010648	POINT ECCENTRIC	01
55	0503011410	ROLLER BEARING	01
56	0503010406	501025 CLAMPING RING (FOR AXLE)	01
57	0561014861	REGULATOR	01
58	0511013015	SLEEVE	01
59	0503010561	SPRING PIN	01
60	0521011107	CRANK BODY	01
61	0503010257	1/8" X 1" COTTERPIN	01
62	0503030878	LEVER CRANK	01
63	0503014419	50-1 X 79 CHAIN LINK + MENDING	01
64	0501069179	CARRY-WHEEL CHAIN PROTECTION CAP	01
65	0503010025	3/8 SPRING WASHER	08
66	0503010256	3/8" X 3/4" BOLT	04
67	0503014299	50-1 X 71 CHAIN LINK + MENDING + REDUCTION	01
68	0551010651	CHAIN CAP	01
69	0551011824	CHAIN COVER FIXER	02
70	0503010209	3/8" UNC BUTTERFLY NUT	02
71	0503010967	5/8" X 5.1/2" BOLT	01
72	0503030751	REGULATOR PLATE	01
73	0511063658	DEFLECTOR	01
74	0521017623	0.5" X 1.5" COUPLING SHAFT	04
75	0503030168	HAIR PIN	04
76	0531014338	BAMPER	01
77	0501010243	1/2" X 1-1/2" BOLT	02
78	0503010020	1/2"NUT	02
79	0521015818	FLAT WASHER	16



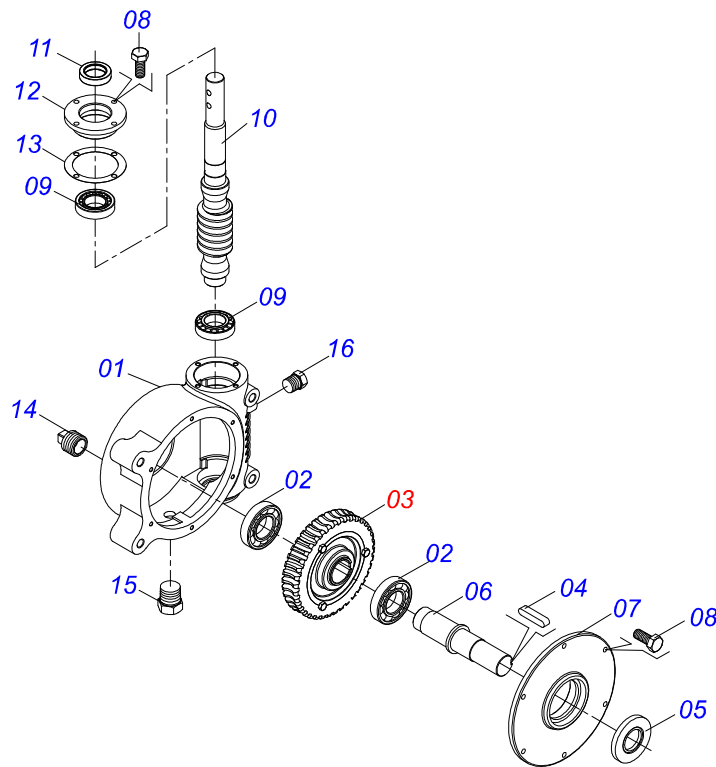
Item	Code	Description	QT
01	0501052176	SLEEVE UNIVERSAL JOINT	01
02	0501050265	UNIVERSAL JOINT	01
03	0501050333	1-40 TERMINAL WITH HITCH	01
04	0502010565	2-40 TERMINAL W/ SH 1.5"/1.5"	01
05	0503012069	ADAPTER FOR BUSHING PROTECT	01
06	0521013800	16" X 1.4" SQUARE SLEEVE	01
07	0503010836	CARDAN CROSSPIECE	02
08	0503011069	0.4" X 2.8" SPRING PIN	01
09	0503010510	0.2" X 2.6" SPRING PIN	01
10	0501052177	AXLE UNIVERSAL JOINT	01
11	0501052178	UNIVERSAL JOINT	01
12	0502011611	9-40 TERMINAL	01
13	0502010566	3-40 TERMINAL W/ SH 1.2"/1.2"	01
14	0503012070	ADAPTER FOR AXLE PROTECTION	01
15	0521013801	1.2" X 15.7" SQUARE SHAFT	01
16	0503010361	SPRING PIN	01
17	0503010756	0.2" X 2.4" SPRING PIN	01
18	0501052179	PROT/SLEEVE UNIVERSAL JOINT	01
19	0501052180	PROT/AXLE UNIVERSAL JOINT	01
20	0503012277	PROTECTION ASSY	01
21	0503012279	PROTECTION FOR UNIV JOINT AND AXLE	01
22	0503012278	PROTECTION FOR UNIV JOINT SLEEVE	01
23	0503012023	CHAIN FOR UNIV JOINT PROTECTION	02
24	0502010563	1-40 STRIATED 1.3/8" TERMINAL	01
25	0521010638	0.5" X 3.3" QUIC HITCH COUPL SHAFT	01
26	0503030518	0.5"X1.0"X 0.1" COMPRESSION SPRING	01
27	0503010838	0.1" X 0.8" SPRING PIN	01



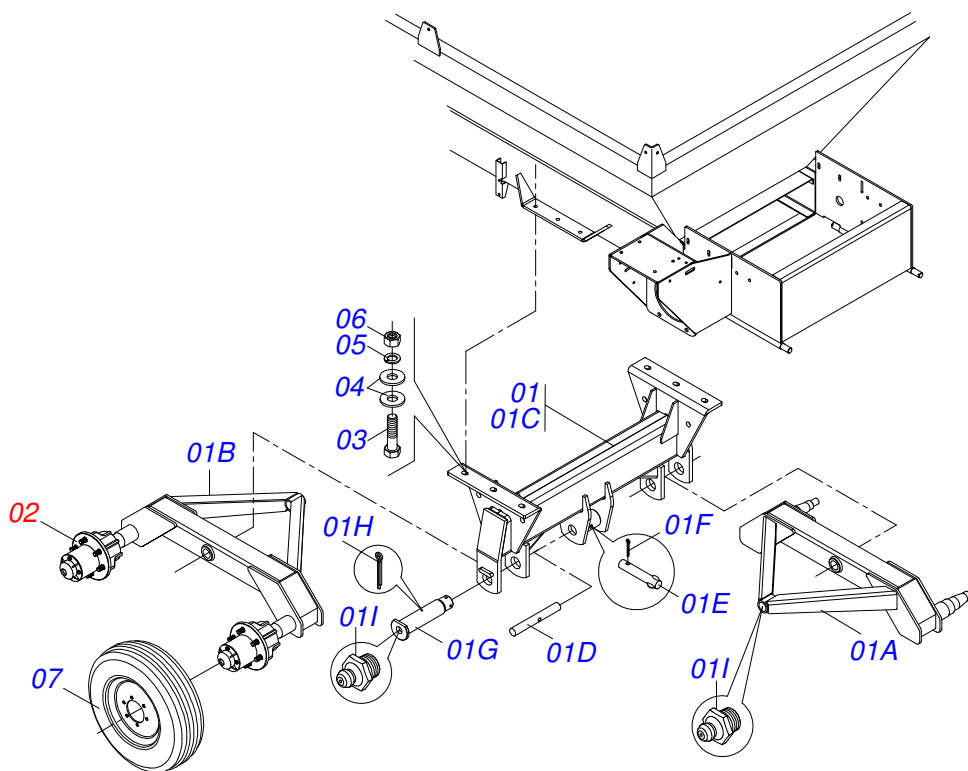
Item	Code	Description	QT
01	0501052166	SLEEVE UNIVERSAL JOINT	01
02	0501051718	UNIVERSAL JOINT	01
03	0502010558	4-20 TERMINAL WITH ROLES	02
04	0502011426	2-20 TERMINAL	01
05	0521013798	0.9" X 35" SQUARE SLEEVE	01
06	0503010835	CARDAN CROSSPIECE	02
07	0503010839	03"X 0.6" SPRING PIN	01
08	0501052167	AXLE UNIVERSAL JOINT	01
09	0501051720	UNIVERSAL JOINT	01
10	0502011427	3-20 TERMINAL	01
11	0521013795	0,9" X 35" SQUARE SHAFT	01
12	0503010301	0.3" X 1.8" SPRING PIN	01
13	0501052168	PROT/SLEEVE UNIVERSAL JOINT	01
14	0501052169	PROT/AXLE UNIVERSAL JOINT	01
15	0503012271	PROTECTION ASSY	01
16	0503012272	PROTECTION FOR UNIV JOINT SLEEVE	01
17	0503012273	PROTECTION FOR UNIV JOINT AND AXLE	01
18	0503012023	CHAIN FOR UNIV JOINT PROTECTION	02



Item	Code	Description	QT
01	0503062157	HEADER JACK	01

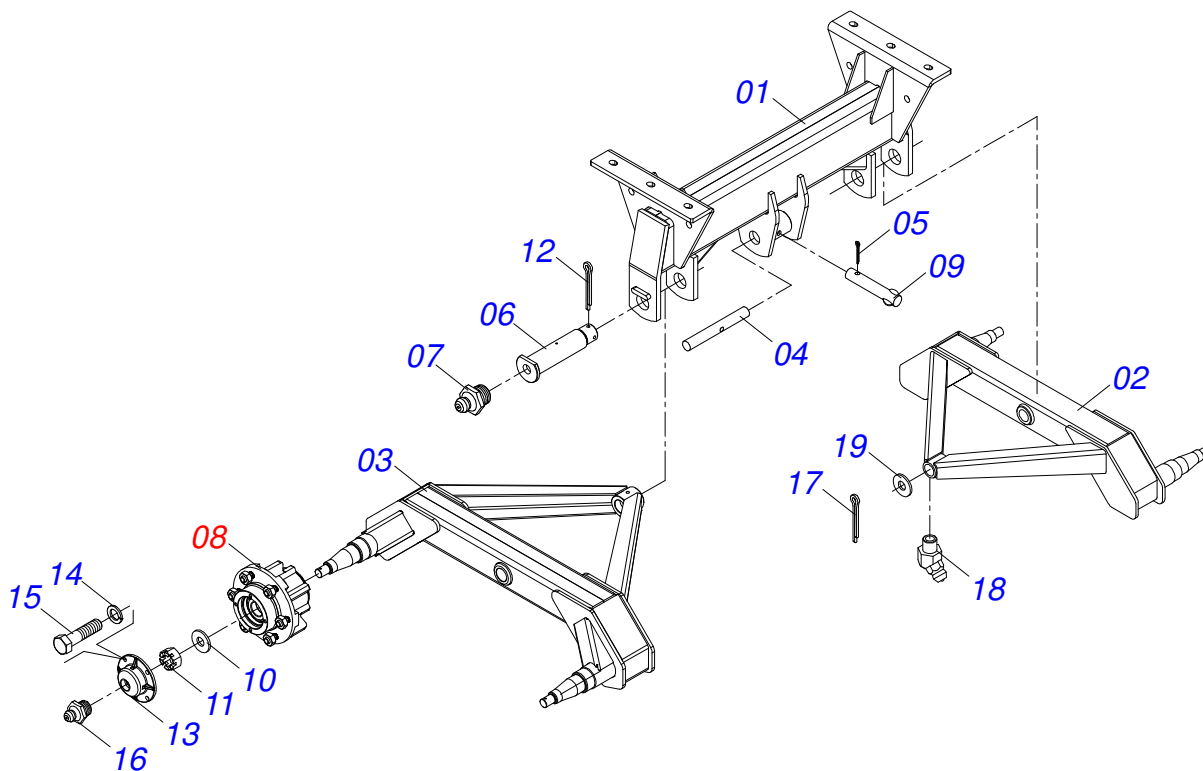


Item	Code	Description	QT
01	0502011456	REDUCTION BOX	01
02	0503011095	6208 BALL BEARING	02
03	0501051774	38Z CONICAL	01
04	0503011304	1/2" X 2.4" KEYWAY SQUARE	01
05	0503010818	02675-BRG SEAL	01
06	0521010996	AXLE	01
07	0502020556	LARGER COVER	01
08	0503010240	5/16" X 3/4" BOLT	10
09	0503010016	BEARING LM	02
10	0521010997	SCREW THEAD	01
11	0503011171	00912-BRG SEAL	01
12	0502011457	SMALLER COVER	01
13	0503030981	102 X 75,5 X 0,10 JOINT	01
14	0521011023	PLUG	01
15	0503031604	1/2" BSP PLUG	01
16	0503010856	OIL PLUG	01

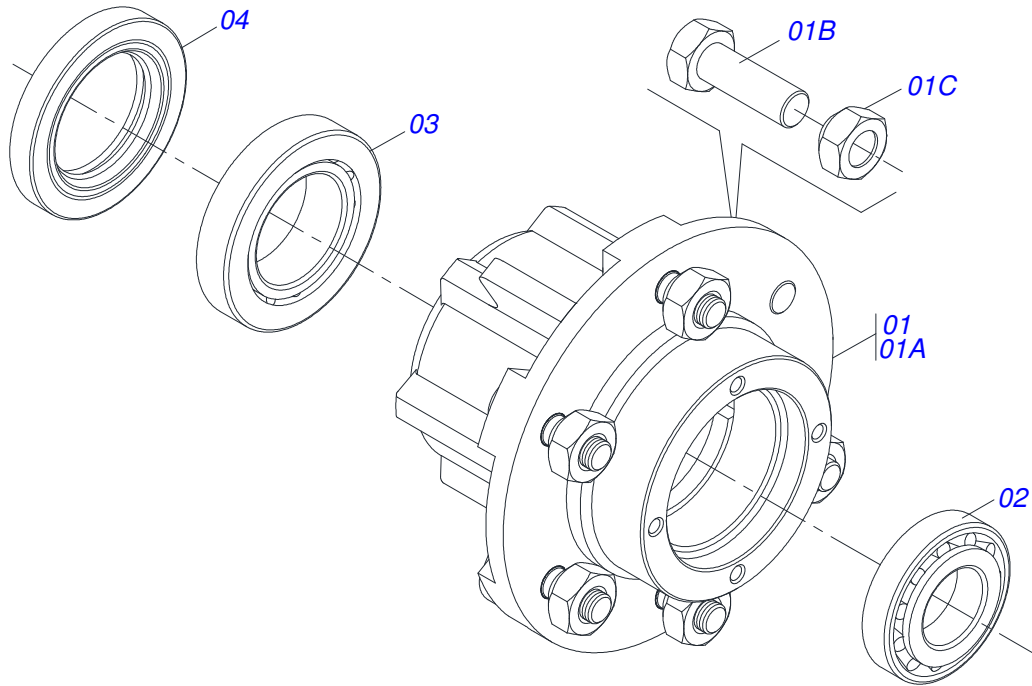


Item	Code	Description	QT
01	0511045190	BELL CRANK SUPPORT FIXATION	01
01A	0511067818	RH ROCKER ARM	01
01B	0511067819	LH ROCKER ARM	01
01C	0511067820	ROCKER ARM SUPPORT FIXATION	01
01D	0521012427	1.5" X 11.4" COUPLING SHAFT	01
01E	0521010641	COUPLING SHAFT	01
01F	0503010257	1/8" X 1" COTTERPIN	01
01G	0521012431	1-1/2" 7.6 PIVOT SHAFT	02
01H	0503010010	1/4" X 2.1/2" COTTERPIN	02
01I	0503010002	1800 GREASE FITTING	03
02	0501051142	CARRYING WHEEL HUB	04
03	0503010899	5/8" X 2-1/4" BOLT	06
04	0501012140	FLAT WASHER	12
05	0503010027	SPRING WASHER	06
06	0503010013	5/8" NUT	06
07	0503060181	WHEEL AND TIRE	04

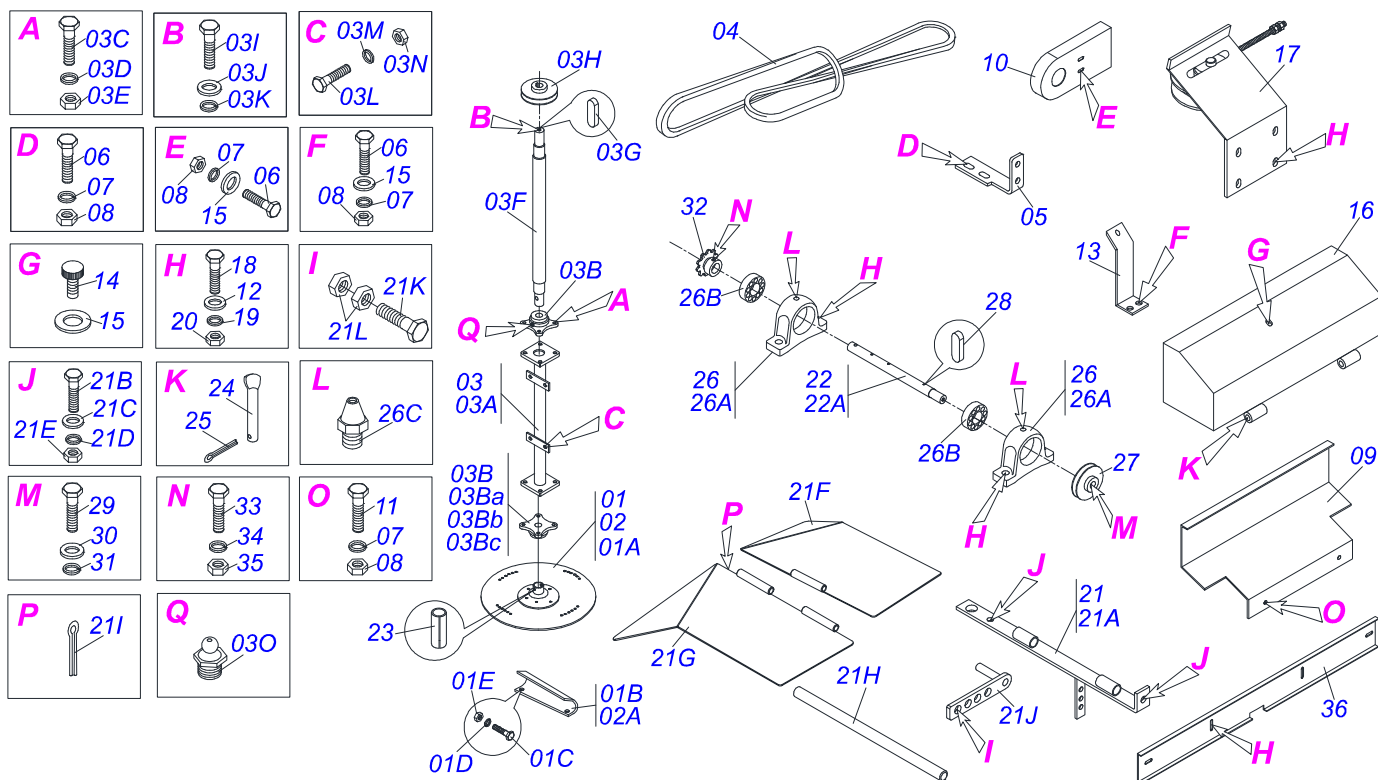
BALANCER FIXED SUPPORT ASSY



Item	Code	Description	QT
01	0521062312	FIXED ROCKER SUPPORT	01
02	0511067544	RIGHT ROCKER ARM	01
03	0511067545	LEFT ROCKER ARM	01
04	0561018741	JUNCTION AXLE	02
05	0503010257	1/8" X 1" COTTERPIN	02
06	0521010956	PIVOT SHAFT	02
07	0503010002	1800 GREASE FITTING	02
08	0501051142	CARRYING WHEEL HUB	04
09	0521010553	0.5" X 3" COUPLING SHAFT	01
10	0501016545	FLAT WASHER	04
11	0503030009	1" CASTLE NUT	04
12	0503010131	3/16" X 1-1/2" COTTERPIN	04
13	0502020591	PROTECCION COVER	04
14	0503011444	SPRING WASHER	16
15	0503010358	5/16" X 5/8" BOLT	16
16	0503010002	1800 GREASE FITTING	04
17	0503010534	3/8 X 2-1/2 COTTERPIN	02
18	0503010003	1845 GREASE FITTING	02
19	0511017302	FLAT WASHER	02

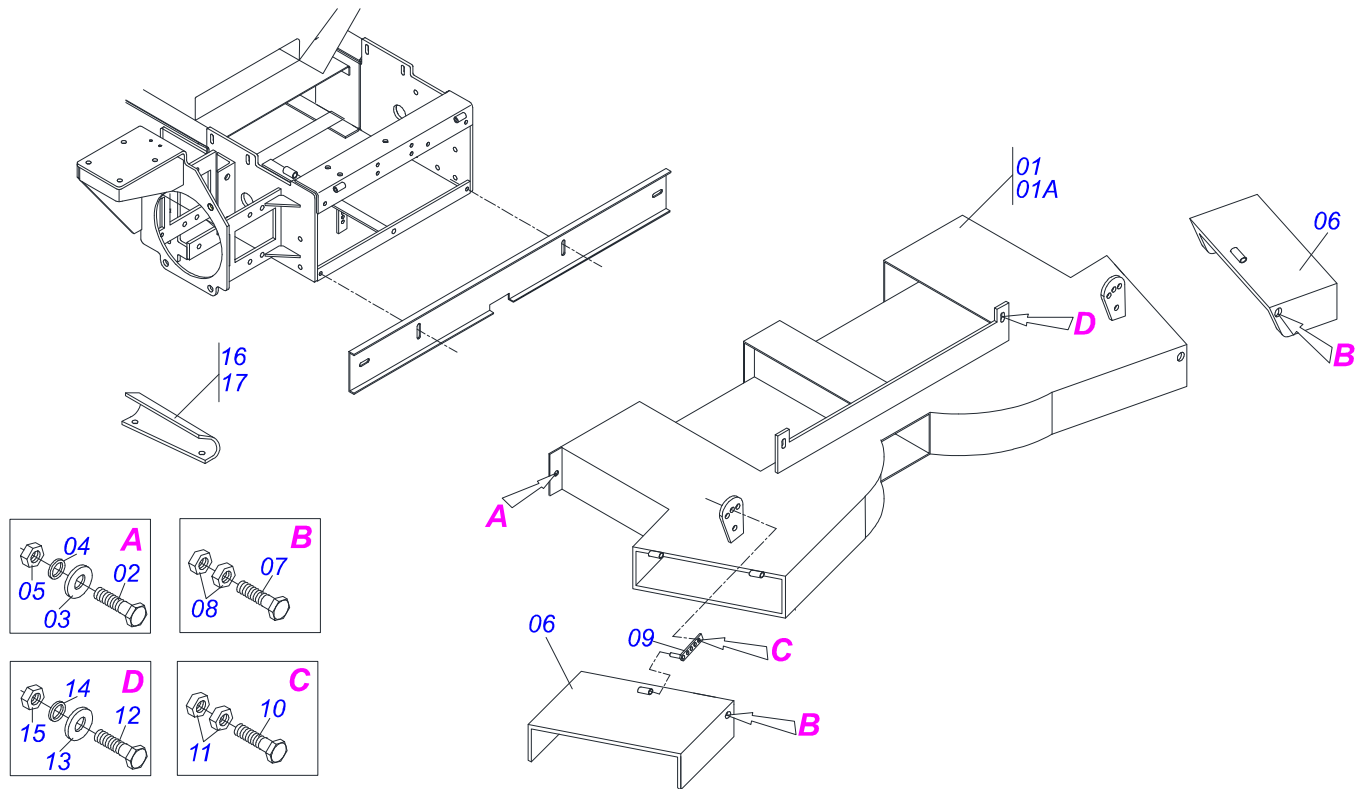


Item	Code	Description	QT
01	0501110728	WHEEL HUB	01
01A	0502011121	CARRYING WHEEL HUB	01
01B	0501010127	9/16" X 1-7/8" LUG BOLT	06
01C	0503010035	9/16" CONIC NUT	06
02	0503010037	30207 ROLLER BEARING	01
03	0503010006	32210 ROLLER BEARING	01
04	0503012928	SEAL	01



Item	Code	Description	
01	0501053870	DISTRIBUTOR RIGHT DISC ASSY	01
01A	0511063411	DISTRIBUTOR DISC	02
01B	0531014343	RH FLIP	04
01C	0503013029	3/8" X 3/4" BOLT	16
01D	0503011443	SPRING WASHER	16
01E	0503010026	3/8" NUT	16
02	0501053871	DISTRIBUTOR LEFT DISC ASSY	01
02A	0531014344	LH FLIP	04
03	0501057193	DISC SUPPORT	02
03A	0511067788	DISTRIBUTOR SUPPORT AIR	02
03B	0501048000	AGRICULTURAL BEARING	04
03Ba	0502011442	AGRICULTURAL HOUSING BEARING	04
03Bb	0503010276	6206 BALL BEARING	04
03Bc	0503011865	SEAL	04
03C	0503011102	PARAFUSO 7/16 UNC X 1.1/4 C S G.5	16
03D	0503011446	SPRING WASHER	16
03E	0503010244	7/16" NUT	16
03F	0551011818	DISTRIBUTOR AXLE CONDUCTOR	02
03G	0501010536	KEYWAY SQUARE	02
03H	0502011361	REEL 1C 5.5" X 1.1" PULLEY	02
03I	0503011338	7/16" X 1" BOLT	02
03J	0511014052	FLAT WASHER	02
03K	0503010180	7/16" SPRING WASHER	02
03L	0503010920	1/2" X 1.1/2" BOLT	08
03M	0503010019	1/2" SPRING WASHER	08
03N	0503010060	1/2" NUT	08
03O	0503010002	1800 GREASE FITTING	04
04	0503012941	C-148 BELT	01
05	0531015159	BELT PROTECTION FIXER	01
06	0503010237	3/8" X 1" BOLT	06
07	0503010025	3/8 SPRING WASHER	06
08	0503010026	3/8" NUT	06
09	0551011812	BELT PROTECTION	01

Item	Code	Description	
10	0531015149	BELT PROTECTION SIDE	01
11	0503010751	C3/8" X 1.1/4" HEX BOLT G.5	02
12	0511017302	FLAT WASHER	12
13	0511067790	REAR FIXER COVER	01
14	0503010386	CABLE	01
15	0501010984	FLAT WASHER	05
16	0511067791	REAR COVER	01
17	0501057196	BELT TENSIONER ASSY	01
18	0503010920	1/2" X 1.1/2" BOLT	12
19	0503010019	1/2" SPRING WASHER	12
20	0503010060	1/2" NUT	12
21	0501057323	DEFLECTOR	01
21A	0511067789	SUPPORT FLOW DIVIDING	01
21B	0503010751	C3/8" X 1.1/4" HEX BOLT G.5	02
21C	0501010984	FLAT WASHER	02
21D	0503010025	3/8 SPRING WASHER	02
21E	0503010026	3/8" NUT	02
21F	0511067786	RIGHT FLOW DIVIDING	01
21G	0511067787	LEFT FLOW DIVIDING	01
21H	0551011815	OPEN SPRING	01
21I	0503010584	1/4" X 1" COTTERPIN	01
21J	0501067368	DIVISOR REGULATOR OPEN	02
21K	0503011404	3/8" X 1-3/4" BOLT	01
21L	0503010026	3/8" NUT	02
22	0501057322	TRANSMISSION AXLE	01
22A	0551011819	TRANSMISSION AXLE	01
23	0503010361	SPRING PIN	02
24	0501017574	0.3" X 2.7" AXLE	02
25	0503010140	1/8" X 3/4" COTTERPIN	02
26	0511041213	AGRICULTURAL BEARING	02
26A	0502011954	AGRICULTURAL HOUSING BEARING	02
26B	0503011884	BALL BEARING	02
26C	0503010691	1/4" GREASE FITTING	02
27	0502011361	REEL 1C 5.5" X 1.1" PULLEY	01
28	0501010540	KEYWAY SQUARE	01
29	0503011338	7/16" X 1" BOLT	01
30	0511014052	FLAT WASHER	01
31	0503010180	7/16" SPRING WASHER	01
32	0501069017	12Z GEAR	01
33	0503011268	3/8" X 2-1/2" BOLT	01
34	0503010025	3/8 SPRING WASHER	01
35	0503010026	3/8" NUT	01
36	0531014338	BAMPER	01



Item	Code	Description	
01	0511045359	CONTROLLER DCO/V ASSY	01
01A	0511067945	CONTROLLER DCO/V ASSY	02
02	0503010395	1/2" X 1-1/4" BOLT	02
03	0511017302	FLAT WASHER	02
04	0503010019	1/2" SPRING WASHER	02
05	0503010060	1/2" NUT	02
06	0511064254	CONTROLLER SPOUT	02
07	0503010240	5/16" X 3/4" BOLT	04
08	0503010337	5/16" NUT	08
09	0501067368	DIVISOR REGULATOR OPEN	02
10	0503010751	C3/8" X 1.1/4" HEX BOLT G.5	02
11	0503010026	3/8" NUT	04
12	0503010849	3/8" X 1-1/2" BOLT	02
13	0501010984	FLAT WASHER	02
14	0503010025	3/8 SPRING WASHER	02
15	0503010026	3/8" NUT	02
16	0531019164	RH FLIP SMALLE	04
17	0531019165	LH FLIP SMALLE	04



MARCHESAN IMPLEMENTOS E MÁQUINAS AGRÍCOLAS TATU S.A.

AV. Marchesan, 1979 - Post office box, 131 - CEP 15994-900 - Matão - SP - Brazil

Phone +55 16.3382-8282

(FAX Parts) + 55 16.3382. 8297 - (Export) + 55 16.3382.1003

e.mail: tatu@marchesan.com.br www.marchesan.com.br

Technical Publications: Elaboration

MARINA PEREZ NIZA

Technical Publications: Revision

ALESSANDRA PATRICIA KAWAHARA CARRILI

Contact Catálogo:

E-mail = jgaspari@marchesan.com.br

**ORIGINAL PARTS
TATU**

