

PARTS CATALOG

CHASER BIN

DCO/V 7500

Code: 0501091514



Series: S-0206

Review: JANEIRO/2014

ORIGINAL PARTS
TATU



PRODUCTS

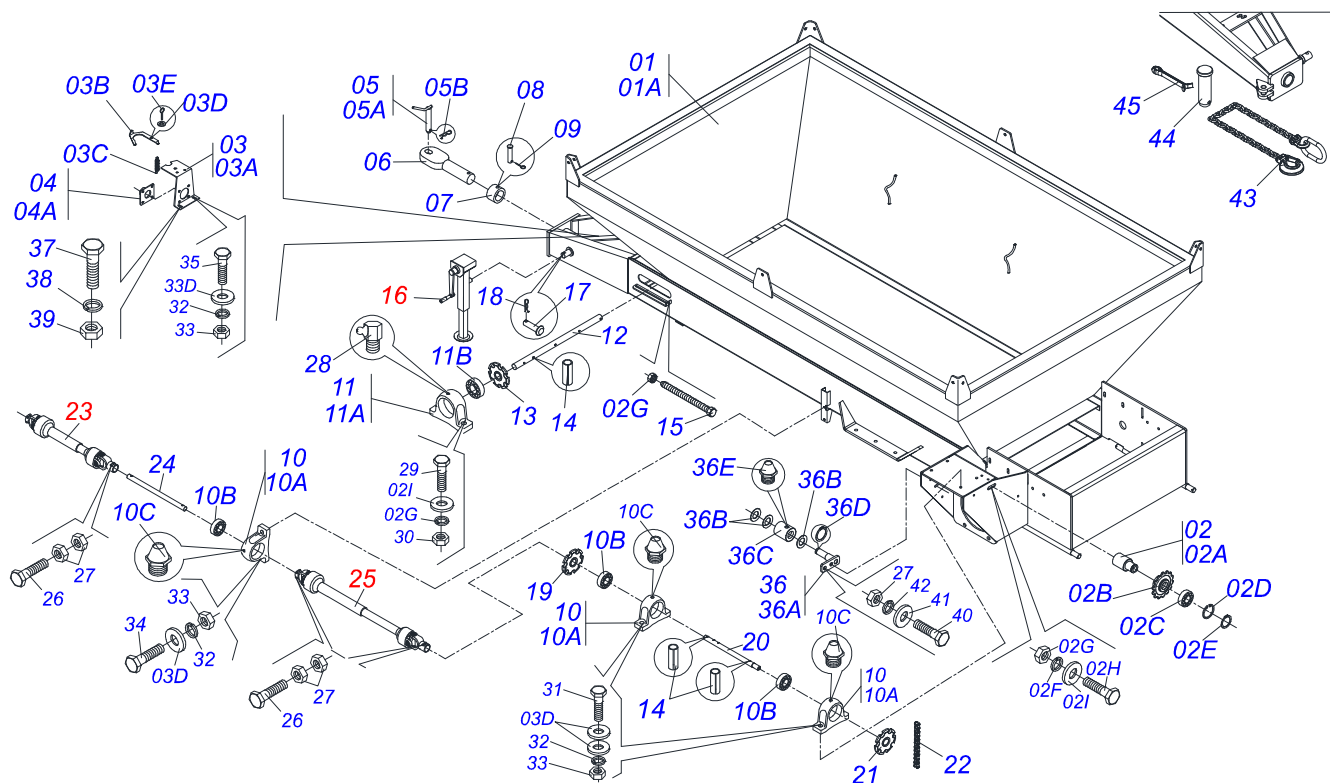
Code	Description
0109090101	DCO/V 7500 C/KIT S-0206
0109090096	DCO/V 7500 S-0206
0109090105	DCO/V 7500 C/DIREC C/KIT S-0206
0109090103	DCO/V 7500 C/DIRECCIONADOR S-0206
0109090118	DCO/V 7500 C/KIT DCCO MONT S/B S/T
0109090142	DCO/V 7500 S/BICA C/KIT C/ABAF S206
0109090123	DCO/V 7500 S/BICA S/TRANSM S-0206

ATTENTION: **IMPORTANT**

MARCHESAN S/A RESERVES THE RIGHT AT ANY TIME TO MAKE IMPROVEMENTS IN THE DESIGN, MATERIAL OR SPECIFICATIONS OF MACHINERY, EQUIPMENT OR PARTS WITHOUT THEREBY BECOMING LIABLE TO MAKE SIMILAR CHANGES IN MACHINERY, EQUIPMENT OR PARTS PREVIOUSLY SOLD.

INDEX

0909093184	FRAME COMPLETE FRONT	1
0909091495	FRAME REAR COMPLETE	2
0501048200	DRIVE SHAFT	3
0909093185	7500 ROCKER ARM ASSY	4
0909092768	CONTROLLER ASSY	5
0501048241	DRIVE SHAFT	6
0503062157	HEADER JACK	7
0501047985	REDUCER	8
0909091496	KIT DCOV	9
0909092769	BELT TENSIONER ASSY	10
0909090789	DIRECTOR ASSY	11
0909090359	DAMPER ASSY DCCO	12



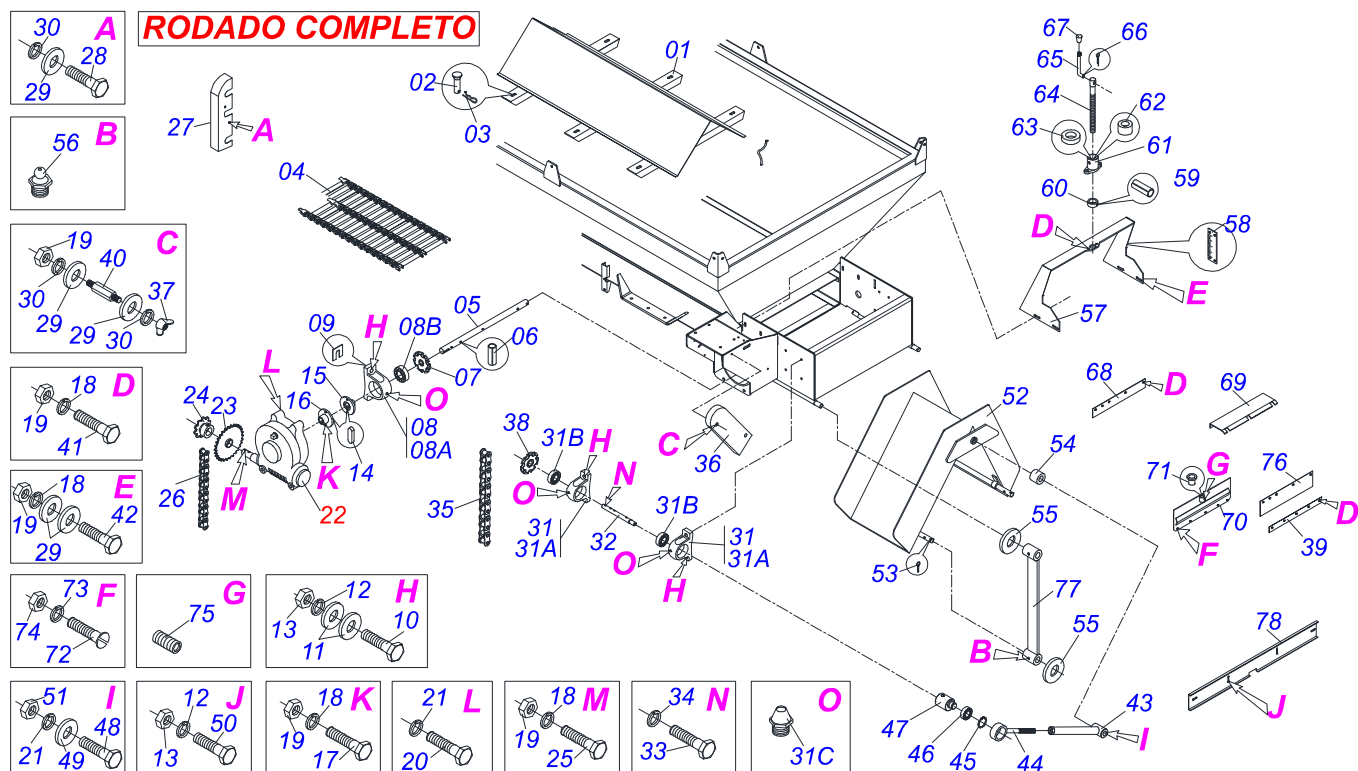
Item	Code	Description	
01	0501057288	DCO/V 7500 BUCKET	01
01A	0511067807	DCO/V 7500 S-0206 BUCKET	01
02	0501057032	CHAIN TENSIONER ASSY	01
02A	0531017086	50 AXLETIGHTENER	01
02B	0511061836	17Z GEAR	01
02C	0503011410	ROLLER BEARING	02
02D	0503011105	SEAL RING	01
02E	0503010406	501025 CLAMPING RING (FOR AXLE)	02
02F	0503010027	SPRING WASHER	01
02G	0503010013	5/8" NUT	02
02H	0501011541	5/8" X 3" BOLT	01
02I	0501012140	FLAT WASHER	04
03	0501050818	CARDAN LEVER SUPPORT	01
03A	0501066588	CARDAN LARGE SUPPORT	01
03B	0511014066	CARDAN SMALLE SUPPORT	01
03C	0503030198	0.6" X 2.4" X 0.1" EXTENSION SPRING	01
03D	0511017302	FLAT WASHER	18
03E	0503010257	1/8" X 1" COTTERPIN	02
04	0501044306	BATH BEARING	01
04A	0503011146	HOUSING BEARING	01
05	0501042545	HITCH PIN ASSY	01
05A	0501068989	COUPLING SHAFT	01
05B	0503031035	HAIR PIN	01
06	0501069166	TRACTOR HITCH	01
07	0521010681	BUSHING COUPLING BODY	01
08	0521010639	COUPLING SHAFT	01
09	0503010571	1/4" X 1.1/2 COTTERPIN	01
10	0511041213	AGRICULTURAL BEARING	05
10A	0502011954	AGRICULTURAL HOUSING BEARING	04
10B	0503011884	BALL BEARING	04
10C	0503010691	1/4" GREASE FITTING	04
11	0501044308	AGRICULTURAL BEARING ASSY	04
11A	0502011050	AGRICULTURAL HOUSING BEARING	04



FRAME COMPLETE FRONT

0909093184

Item	Code	Description	
11B	0503011163	1108/UCR BEARING ASSY	04
12	0531014345	DRIVEN AXLE	01
13	0502040728	7Z GEAR	06
14	0503010361	SPRING PIN	06
15	0501067853	ROD STABILIZER	02
16	0503062157	HEADER JACK	01
17	0521010549	COUPLING SHAFT	01
18	0503030168	HAIR PIN	07
19	0511062448	26Z P0.6" GEAR	01
20	0551010646	LARGER TRANSMISSION AXLE	01
21	0501069017	12Z GEAR	01
22	0503011351	50-1 CHAIN X 79 LINK + MENDING	01
23	0501048241	DRIVE SHAFT	01
24	0521011192	1800 FRONT DRIVE AXLE	01
25	0501048200	DRIVE SHAFT	01
26	0503011268	3/8" X 2-1/2" BOLT	06
27	0503010026	3/8" NUT	31
28	0503010004	1890 GREASE FITTING	01
29	0503010899	5/8" X 2-1/4" BOLT	04
30	0503011445	SPRING WASHER	09
31	0503010740	1/2" X 2" BOLT	04
32	0503011440	SPRING WASHER	02
33	0503010060	1/2" NUT	02
34	0503010920	1/2" X 1.1/2" BOLT	02
35	0503011082	C1/2" X 1.3/4" BOLT	02
36	0501050829	CHAIN TENSIONER	01
36A	0501067692	BELT TENSIONER BODY	01
36B	0511015098	FLAT WASHER	02
36C	0511017041	TENSIONER ROLD	01
36D	0503010302	501019 SEAL RING	01
36E	0503010002	1800 GREASE FITTING	02
37	0503011102	PARAFUSO 7/16 UNC X 1.1/4 C S G.5	04
38	0503011446	SPRING WASHER	04
39	0503010244	7/16" NUT	04
40	0503010256	3/8" X 3/4" BOLT	02
41	0501010984	FLAT WASHER	04
42	0503010025	3/8 SPRING WASHER	04
43	0503013150	1300 X 3/8 CHAIN	01
44	0581011220	COUPLING SHAFT	01
45	0503010131	3/16" X 1-1/2" COTTERPIN	01



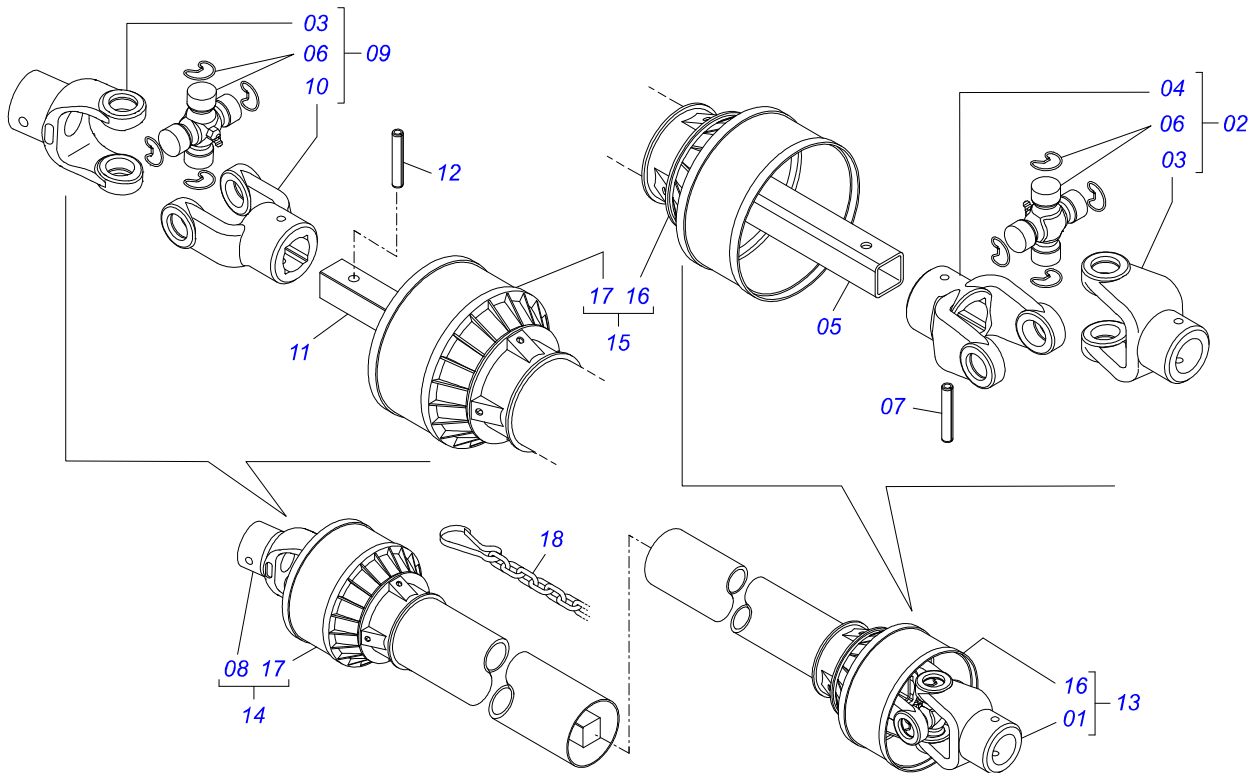
Item	Code	Description	
01	0511063853	LARGER DEFLECTOR	01
02	0521017623	0.5" X 1.5" COUPLING SHAFT	06
03	0503030168	HAIR PIN	07
04	0511063805	DRIVE THE TRANSPORT TALISCA	01
05	0531014346	MOTOR SHAFT	01
06	0503010361	SPRING PIN	06
07	0502040728	7Z GEAR	06
08	0501044308	AGRICULTURAL BEARING ASSY	04
08A	0502011050	AGRICULTURAL HOUSING BEARING	04
08B	0503011163	1108/UCR BEARING ASSY	04
09	0501010794	HIDR CHOCK REGULATOR	04
10	0503010740	1/2" X 2" BOLT	12
11	0511017302	FLAT WASHER	18
12	0503011440	SPRING WASHER	18
13	0503010060	1/2" NUT	18
14	0501010540	KEYWAY SQUARE	02
15	0511016540	MAT COUPLING FLANGE	01
16	0511016541	REDUCTION COUPLING FLANGE	01
17	0503010849	3/8" X 1-1/2" BOLT	02
18	0503011443	SPRING WASHER	21
19	0503010026	3/8" NUT	31
20	0503011167	M16 X 2 X 30 BOLT	04
21	0503011445	SPRING WASHER	09
22	0501047985	REDUCER	01
23	0501069020	35Z GEAR	01
24	0501069017	12Z GEAR	01
25	0503011268	3/8" X 2-1/2" BOLT	06
26	0503011351	50-1 CHAIN X 79 LINK + MENDING	01
27	0501069179	CARRY-WHEEL CHAIN PROTECTION CAP	01
28	0503010256	3/8" X 3/4" BOLT	04
29	0501010984	FLAT WASHER	16
30	0503010025	3/8 SPRING WASHER	08
31	0511041213	AGRICULTURAL BEARING	05



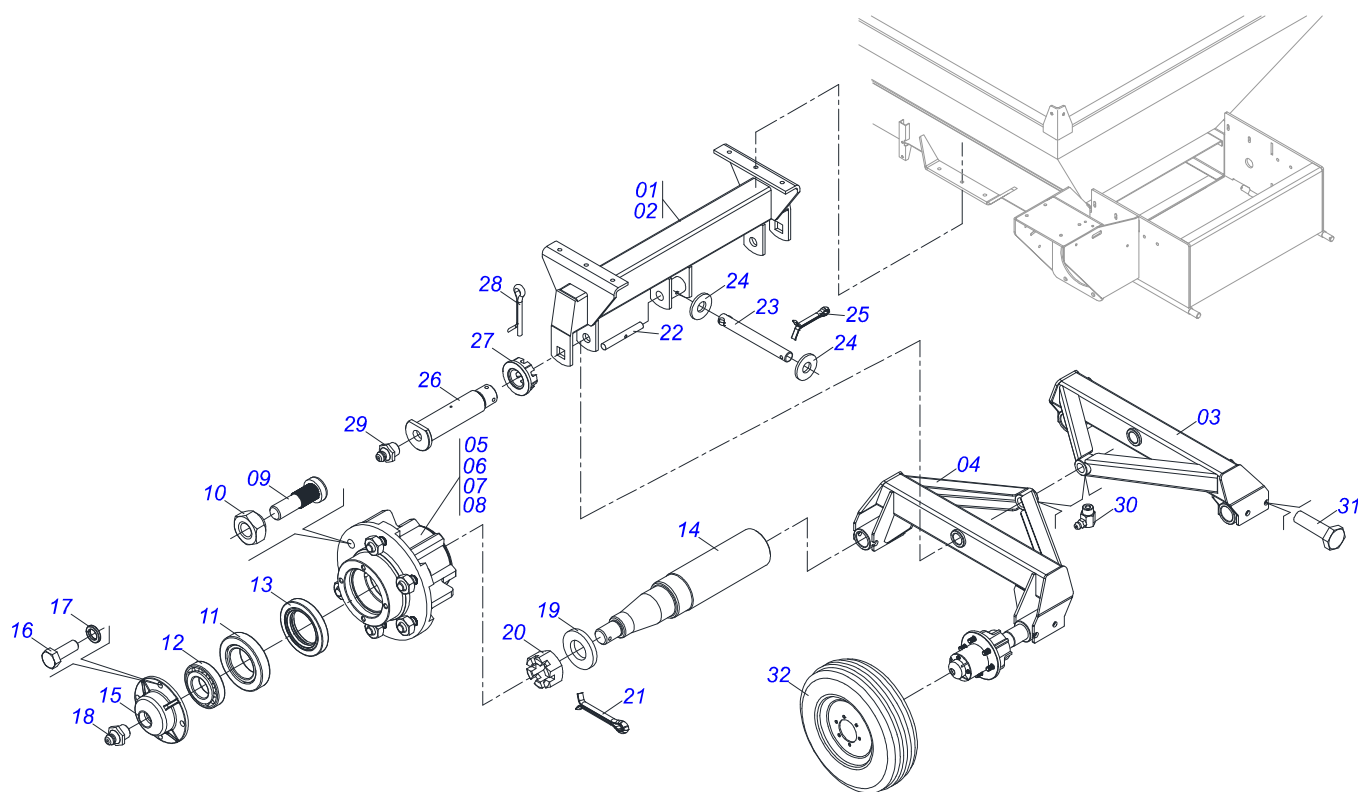
FRAME REAR COMPLETE

0909091495

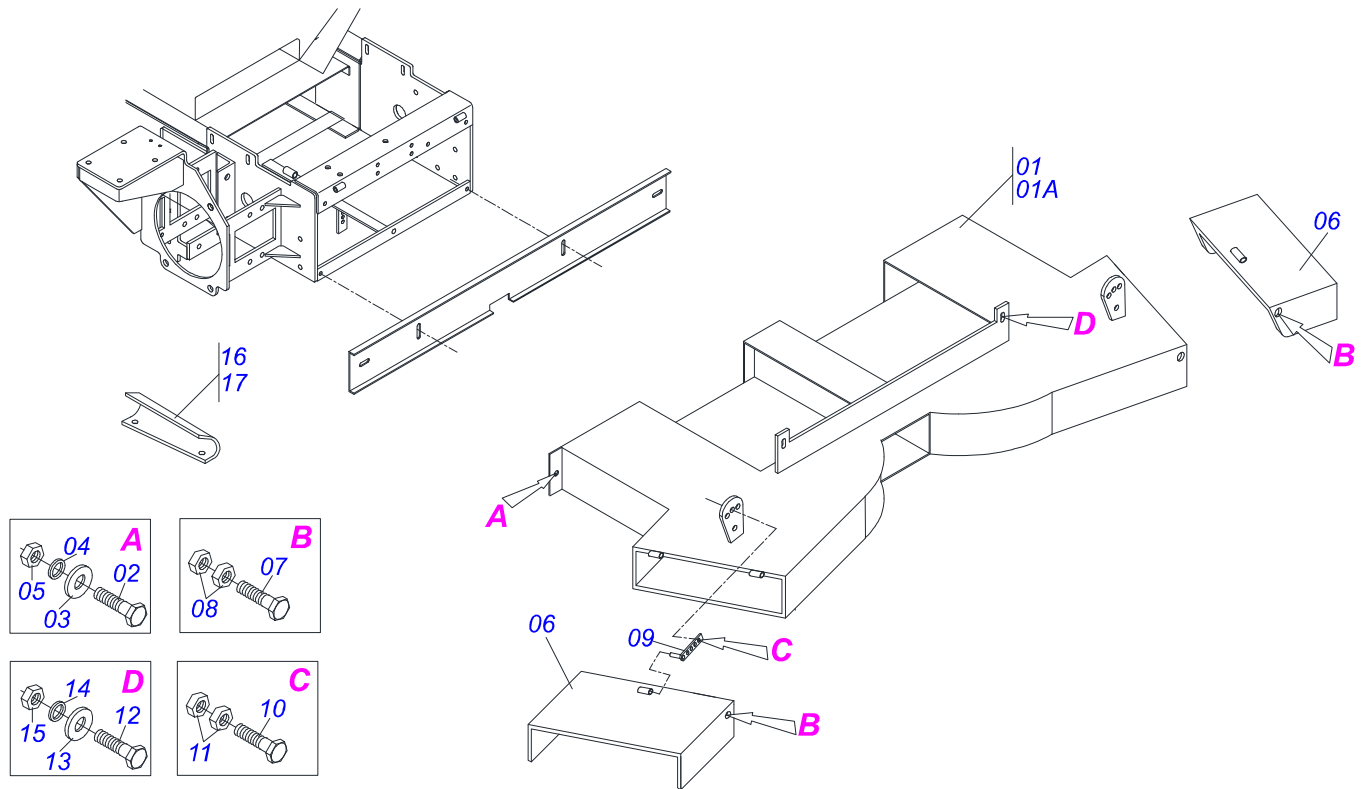
Item	Code	Description	
31A	0502011954	AGRICULTURAL HOUSING BEARING	04
31B	0503011884	BALL BEARING	04
31C	0503010691	1/4" GREASE FITTING	04
32	0551010647	SMALLER TRANSMISSION AXLE	01
33	0503010355	7/16" X 1" BOLT	01
34	0503011446	SPRING WASHER	05
35	0503014299	50-1 X 71 CHAIN LINK + MENDING + REDUCTION	01
36	0551010651	CHAIN CAP	01
37	0503010209	3/8" UNC BUTTERFLY NUT	02
38	0501069017	12Z GEAR	01
39	0531014331	SLUICE VALVE FIXER COVER	02
40	0551011824	CHAIN COVER FIXER	02
41	0503010237	3/8" X 1" BOLT	12
42	0503010751	C3/8" X 1.1/4" HEX BOLT G.5	04
43	0511067543	LARGER JACK	01
44	0511067542	SMALLER JACK	01
47	0551010648	POINT ECCENTRIC	01
48	0503010967	5/8" X 5.1/2" BOLT	01
49	0501012140	FLAT WASHER	10
51	0503010013	5/8" NUT	08
52	0511067546	SHATTERING SPOUT	01
53	0503010523	1/4" X 2" COTTERPIN	08
54	0551010691	16,30 X 25,57 X 45 SLEEVE	01
55	0521015818	FLAT WASHER	16
56	0503010002	1800 GREASE FITTING	15
57	0511063410	SLUICE VALVE SUPPORT	01
58	0503030751	REGULATOR PLATE	01
59	0503010561	SPRING PIN	01
60	0511013015	SLEEVE	01
61	0502010581	ROD BEARING	01
62	0521010457	SLEEVE	01
63	0521010458	SLEEVE	01
64	0501069214	REGULATOR	01
65	0521011107	CRANK BODY	01
66	0503010257	1/8" X 1" COTTERPIN	02
67	0503030878	LEVER CRANK	01
68	0531014336	31.4"X3.1"X 0.1" PROTECTION SMALLER	02
69	0531014324	TOOTH COVER	01
70	0511063413	SLUICE VALVE COVER	01
71	0501019831	ADJUSTING NUT	01
72	0503010814	5/16" X 3/4" BOLT	05
73	0503011444	SPRING WASHER	21
74	0503010337	5/16" NUT	05
75	0503011148	3/8" X 1/2" BOLT	01
76	0531014337	PROTECTION LARGER	01
77	0511067541	POINT MOBILE ARM	04
78	0531014338	BAMPER	01
79	0501018243	1/2" X 1-1/2" BOLT	02



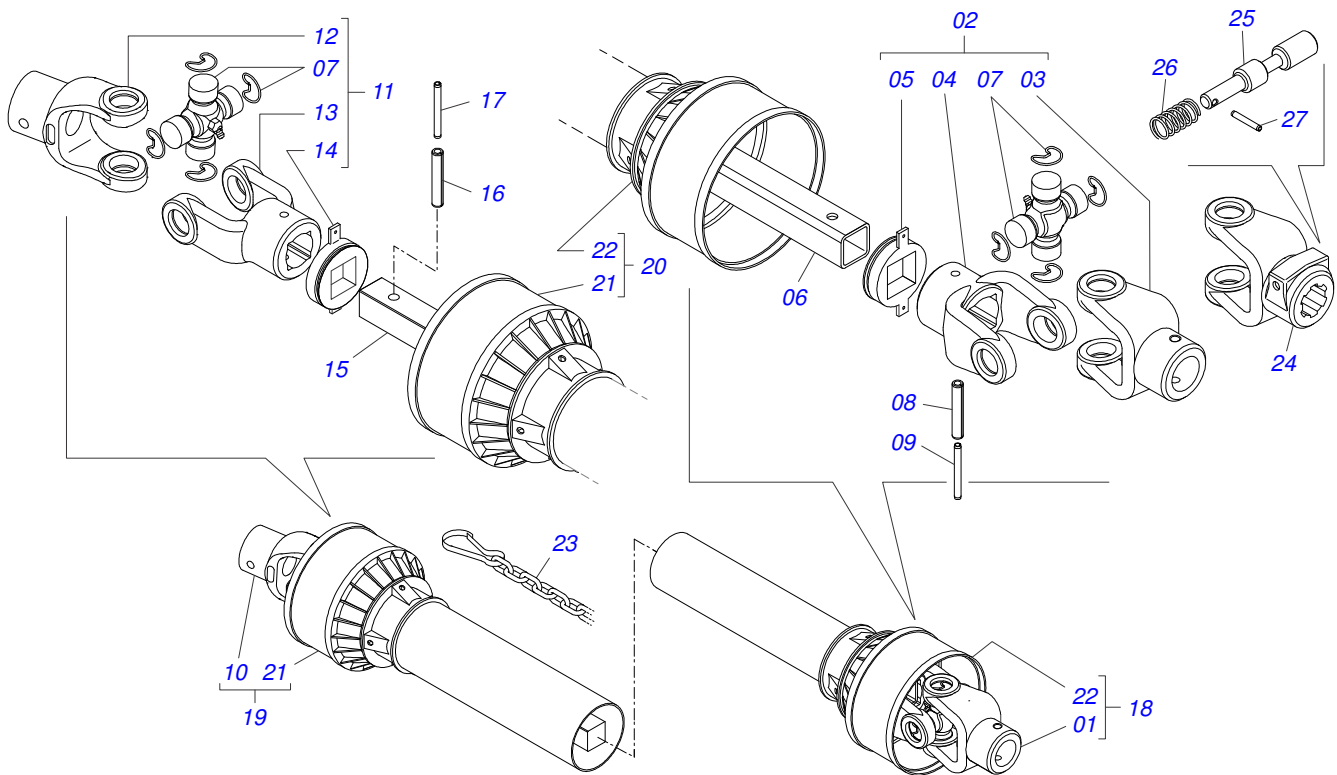
Item	Code	Description	QT
01	0501052171	SLEEVE UNIVERSAL JOINT	01
02	0501051718	UNIVERSAL JOINT	01
03	0502010558	4-20 TERMINAL WITH ROLES	02
04	0502011426	2-20 TERMINAL	01
05	0521013799	0.9" X 47" SQUARE SLEEVE	01
06	0503010835	CARDAN CROSSPIECE	02
07	0503010839	03"X 0.6" SPRING PIN	01
08	0501052172	AXLE UNIVERSAL JOINT	01
09	0501051720	UNIVERSAL JOINT	01
10	0502011427	3-20 TERMINAL	01
11	0521013796	0.9" X 47" SQUARE SHAFT	01
12	0503010301	0.3" X 1.8" SPRING PIN	01
13	0501052170	PROT/SLEEVE UNIVERSAL JOINT	01
14	0501052173	PROT/AXLE UNIVERSAL JOINT	01
15	0503012274	PROTECTION ASSY	01
16	0503012275	PROTECTION FOR UNIV JOINT SLEEVE	01
17	0503012276	PROTECTION FOR UNIV JOINT AND AXLE	01
18	0503012023	CHAIN FOR UNIV JOINT PROTECTION	02



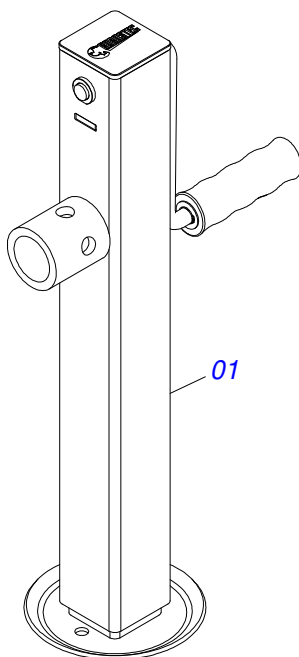
Item	Code	Description	
01	0511045190	BELL CRANK SUPPORT FIXATION	01
02	0511067820	ROCKER ARM SUPPORT FIXATION	01
03	0511067818	RH ROCKER ARM	01
04	0511067819	LH ROCKER ARM	01
05	0501057223	CARRYING WHEEL HUB ASSY	04
06	0501051142	CARRYING WHEEL HUB	01
07	0501110728	WHEEL HUB	01
08	0502011121	CARRYING WHEEL HUB	01
09	0501810127	9/16UNFX1.7/8BOLT	06
10	0503810035	9/16 NF CONIC NUT	06
11	0503010006	32210 ROLLER BEARING	01
12	0503010037	30207 ROLLER BEARING	01
13	0503012928	SEAL	01
14	0551011885	62MM X 396MM AXLE	01
15	0502020591	PROTECCION COVER	01
16	0503010178	5/16" X 7/8" BOLT	04
17	0503011444	SPRING WASHER	04
18	0503010002	1800 GREASE FITTING	01
19	0501016545	FLAT WASHER	01
20	0503030009	1" CASTLE NUT	01
21	0503010131	3/16" X 1-1/2" COTTERPIN	01
22	0521012427	1.5" X 11.4" COUPLING SHAFT	01
23	0521010641	COUPLING SHAFT	01
24	0511017302	FLAT WASHER	02
25	0503010257	1/8" X 1" COTTERPIN	01
26	0521012431	1-1/2" 7.6 PIVOT SHAFT	02
27	0501011301	1.1/2 UNC 6FPP 2.5/16 NUT	02
28	0503010010	1/4" X 2.1/2" COTTERPIN	02
29	0503010002	1800 GREASE FITTING	02
30	0503010004	1890 GREASE FITTING	02
31	0511016156	5/8" X 1.1/2" BOLT	08
32	0503060181	WHEEL AND TIRE	04



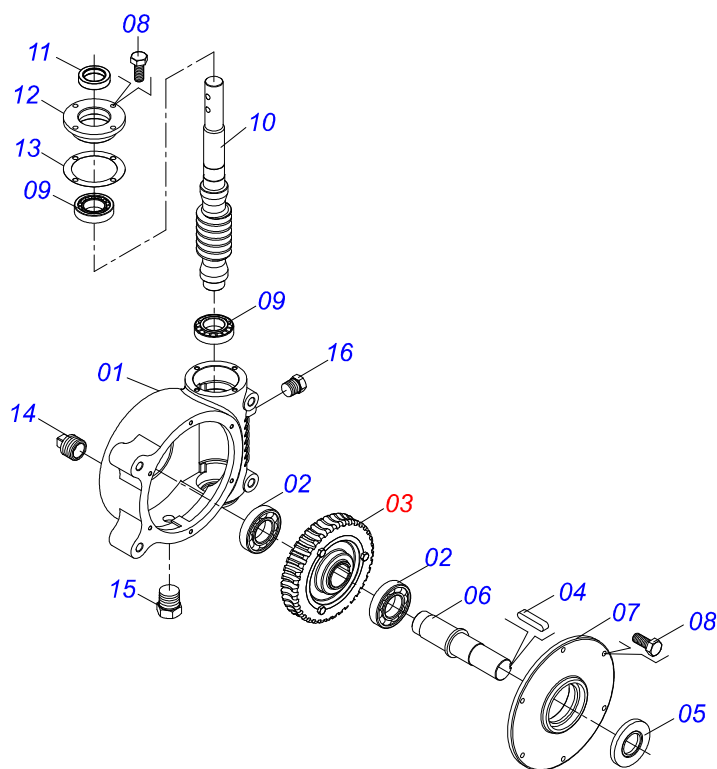
Item	Code	Description	
01	0511045359	CONTROLLER DCO/V ASSY	01
01A	0511067945	CONTROLLER DCO/V ASSY	02
02	0503010395	1/2" X 1-1/4" BOLT	02
03	0511017302	FLAT WASHER	02
04	0503010019	1/2" SPRING WASHER	02
05	0503010060	1/2" NUT	02
06	0511064254	CONTROLLER SPOUT	02
07	0503010240	5/16" X 3/4" BOLT	04
08	0503010337	5/16" NUT	08
09	0501067368	DIVISOR REGULATOR OPEN	02
10	0503010751	C3/8" X 1.1/4" HEX BOLT G.5	02
11	0503010026	3/8" NUT	04
12	0503010849	3/8" X 1-1/2" BOLT	02
13	0501010984	FLAT WASHER	02
14	0503010025	3/8 SPRING WASHER	02
15	0503010026	3/8" NUT	02
16	0531019164	RH FLIP SMALLE	04
17	0531019165	LH FLIP SMALLE	04



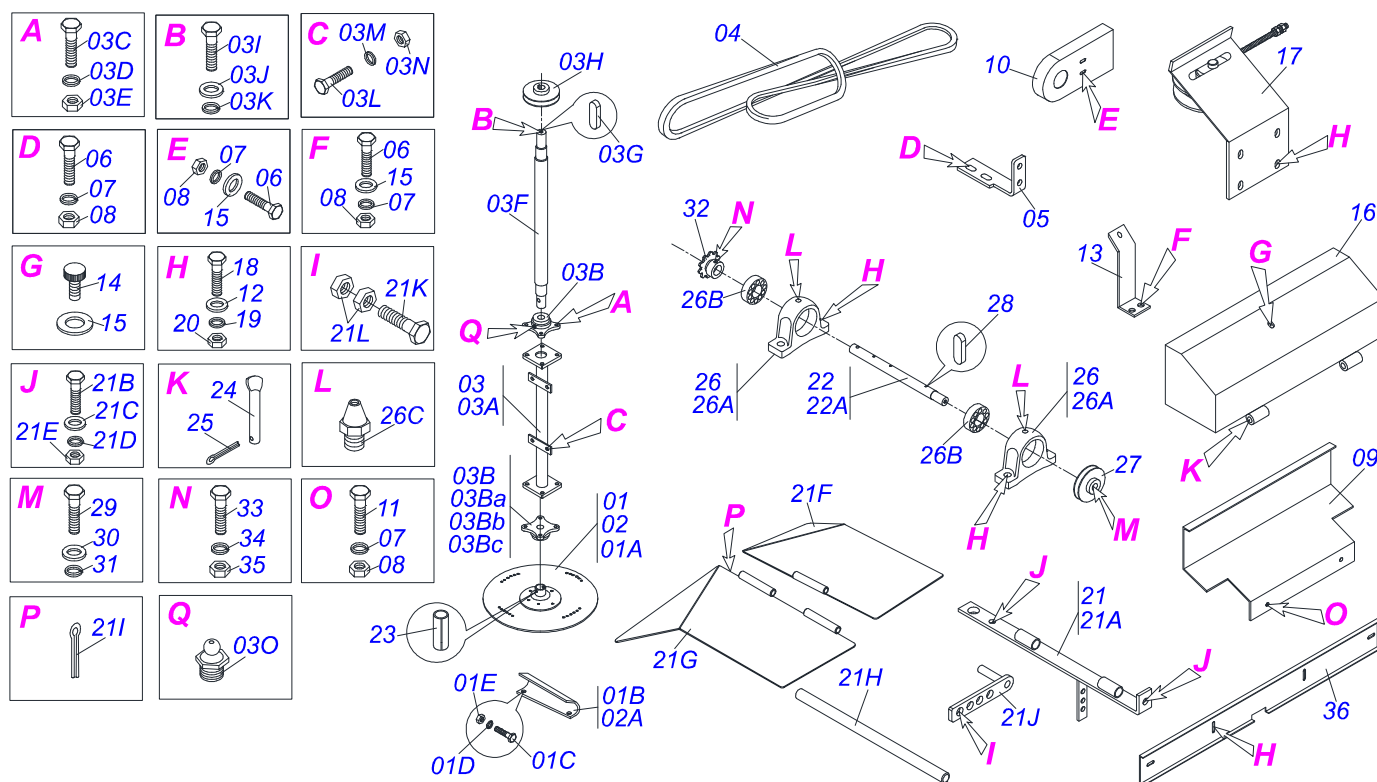
Item	Code	Description	QT
01	0501052176	SLEEVE UNIVERSAL JOINT	01
02	0501050265	UNIVERSAL JOINT	01
03	0501050333	1-40 TERMINAL WITH HITCH	01
04	0502010565	2-40 TERMINAL W/ SH 1.5"/1.5"	01
05	0503012069	ADAPTER FOR BUSHING PROTECT	01
06	0521013800	16" X 1.4" SQUARE SLEEVE	01
07	0503010836	CARDAN CROSSPIECE	02
08	0503011069	0.4" X 2.8" SPRING PIN	01
09	0503010510	0.2" X 2.6" SPRING PIN	01
10	0501052177	AXLE UNIVERSAL JOINT	01
11	0501052178	UNIVERSAL JOINT	01
12	0502011611	9-40 TERMINAL	01
13	0502010566	3-40 TERMINAL W/ SH 1.2"/1.2"	01
14	0503012070	ADAPTER FOR AXLE PROTECTION	01
15	0521013801	1.2" X 15.7" SQUARE SHAFT	01
16	0503010361	SPRING PIN	01
17	0503010756	0.2" X 2.4" SPRING PIN	01
18	0501052179	PROT/SLEEVE UNIVERSAL JOINT	01
19	0501052180	PROT/AXLE UNIVERSAL JOINT	01
20	0503012277	PROTECTION ASSY	01
21	0503012279	PROTECTION FOR UNIV JOINT AND AXLE	01
22	0503012278	PROTECTION FOR UNIV JOINT SLEEVE	01
23	0503012023	CHAIN FOR UNIV JOINT PROTECTION	02
24	0502010563	1-40 STRIATED 1.3/8" TERMINAL	01
25	0521010638	0.5" X 3.3" QUIC HITCH COUPL SHAFT	01
26	0503030518	0.5"X1.0"X 0.1" COMPRESSION SPRING	01
27	0503010838	0.1" X 0.8" SPRING PIN	01



Item	Code	Description	QT
01	0503062157	HEADER JACK	01

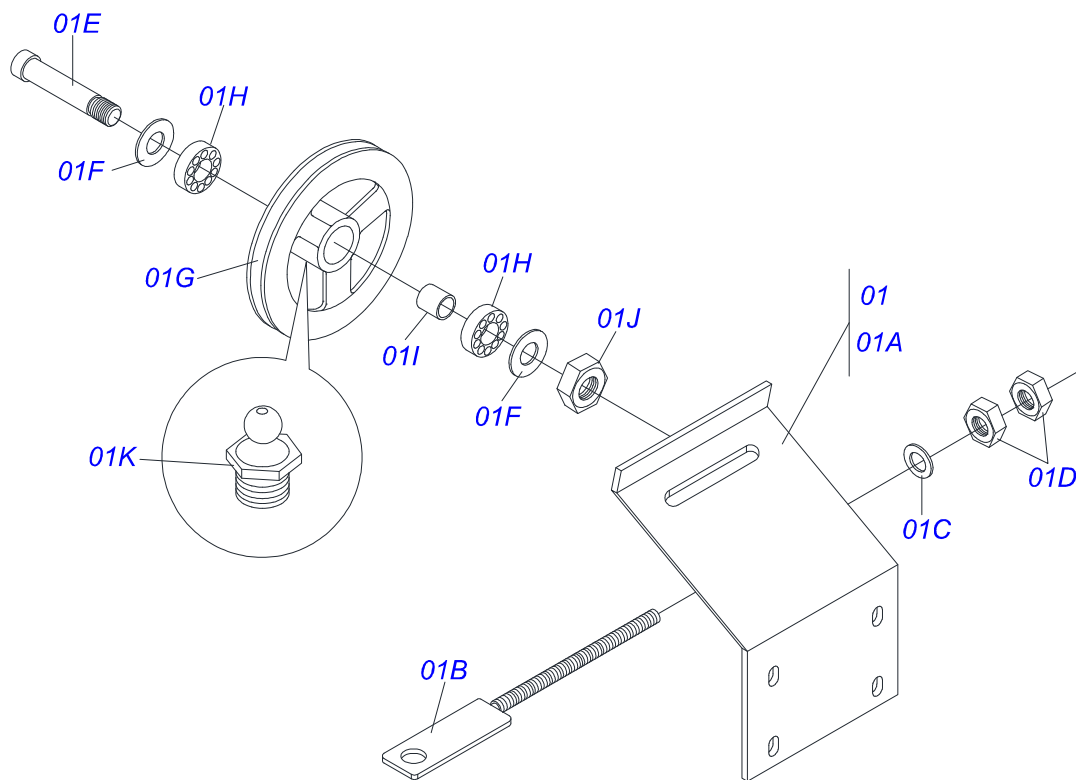


Item	Code	Description	QT
01	0502011456	REDUCTION BOX	01
02	0503011095	6208 BALL BEARING	02
03	0501051774	38Z CONICAL	01
04	0503011304	1/2" X 2.4" KEYWAY SQUARE	01
05	0503010818	02675-BRG SEAL	01
06	0521010996	AXLE	01
07	0502020556	LARGER COVER	01
08	0503010240	5/16" X 3/4" BOLT	10
09	0503010016	BEARING LM	02
10	0521010997	SCREW THEAD	01
11	0503011171	00912-BRG SEAL	01
12	0502011457	SMALLER COVER	01
13	0503030981	102 X 75,5 X 0,10 JOINT	01
14	0521011023	PLUG	01
15	0503031604	1/2" BSP PLUG	01
16	0503010856	OIL PLUG	01

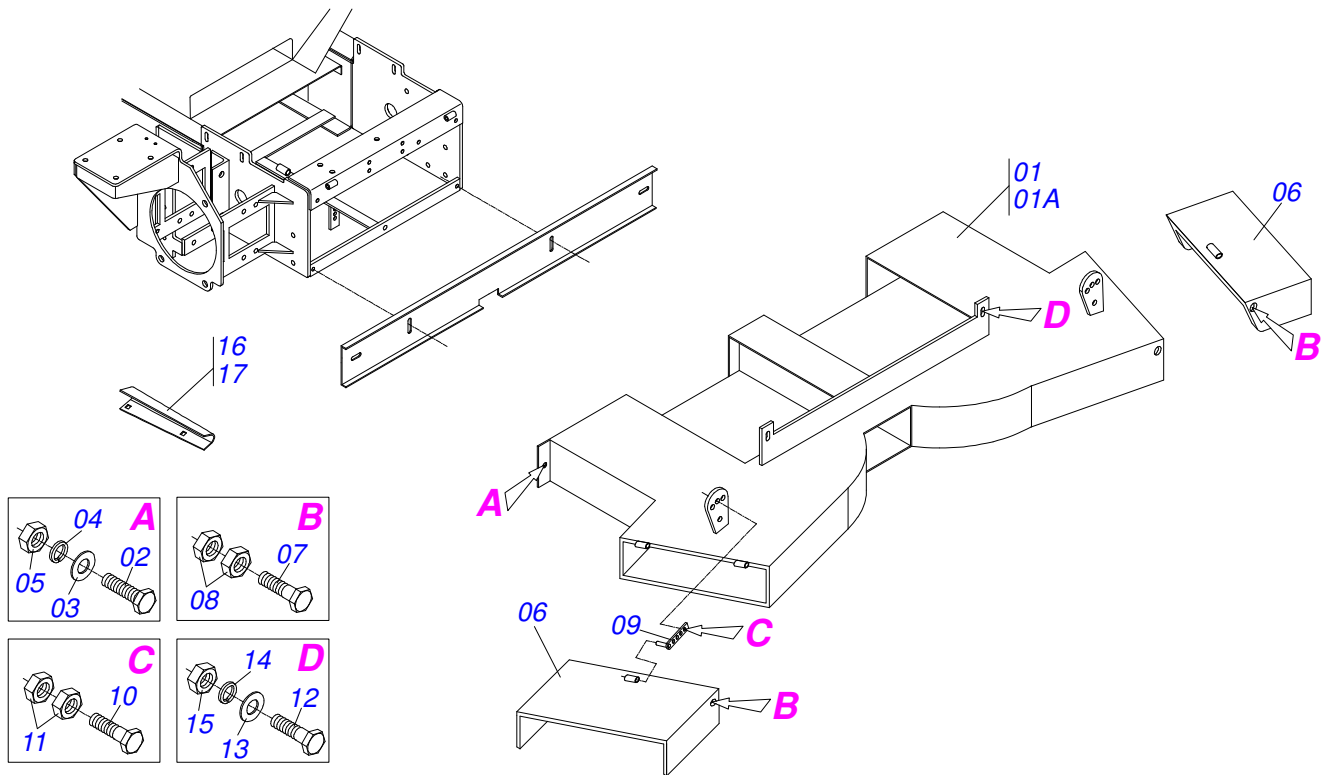


Item	Code	Description	
01	0501053870	DISTRIBUTOR RIGHT DISC ASSY	01
01A	0511063411	DISTRIBUTOR DISC	02
01B	0531014343	RH FLIP	04
01C	0503013029	3/8" X 3/4" BOLT	16
01D	0503011443	SPRING WASHER	16
01E	0503010026	3/8" NUT	16
02	0501053871	DISTRIBUTOR LEFT DISC ASSY	01
02A	0531014344	LH FLIP	04
03	0501057193	DISC SUPPORT	02
03A	0511067788	DISTRIBUTOR SUPPORT AIR	02
03B	0501048000	AGRICULTURAL BEARING	04
03Ba	0502011442	AGRICULTURAL HOUSING BEARING	04
03Bb	0503010276	6206 BALL BEARING	04
03Bc	0503011865	SEAL	04
03C	0503011102	PARAFUSO 7/16 UNC X 1.1/4 C S G.5	16
03D	0503011446	SPRING WASHER	16
03E	0503010244	7/16" NUT	16
03F	0551011818	DISTRIBUTOR AXLE CONDUCTOR	02
03G	0501010536	KEYWAY SQUARE	02
03H	0502011361	REEL 1C 5.5" X 1.1" PULLEY	02
03I	0503011338	7/16" X 1" BOLT	02
03J	0511014052	FLAT WASHER	02
03K	0503010180	7/16" SPRING WASHER	02
03L	0503010920	1/2" X 1.1/2" BOLT	08
03M	0503010019	1/2" SPRING WASHER	08
03N	0503010060	1/2" NUT	08
03O	0503010002	1800 GREASE FITTING	04
04	0503012941	C-148 BELT	01
05	0531015159	BELT PROTECTION FIXER	01
06	0503010237	3/8" X 1" BOLT	06
07	0503010025	3/8 SPRING WASHER	06
08	0503010026	3/8" NUT	06
09	0551011812	BELT PROTECTION	01

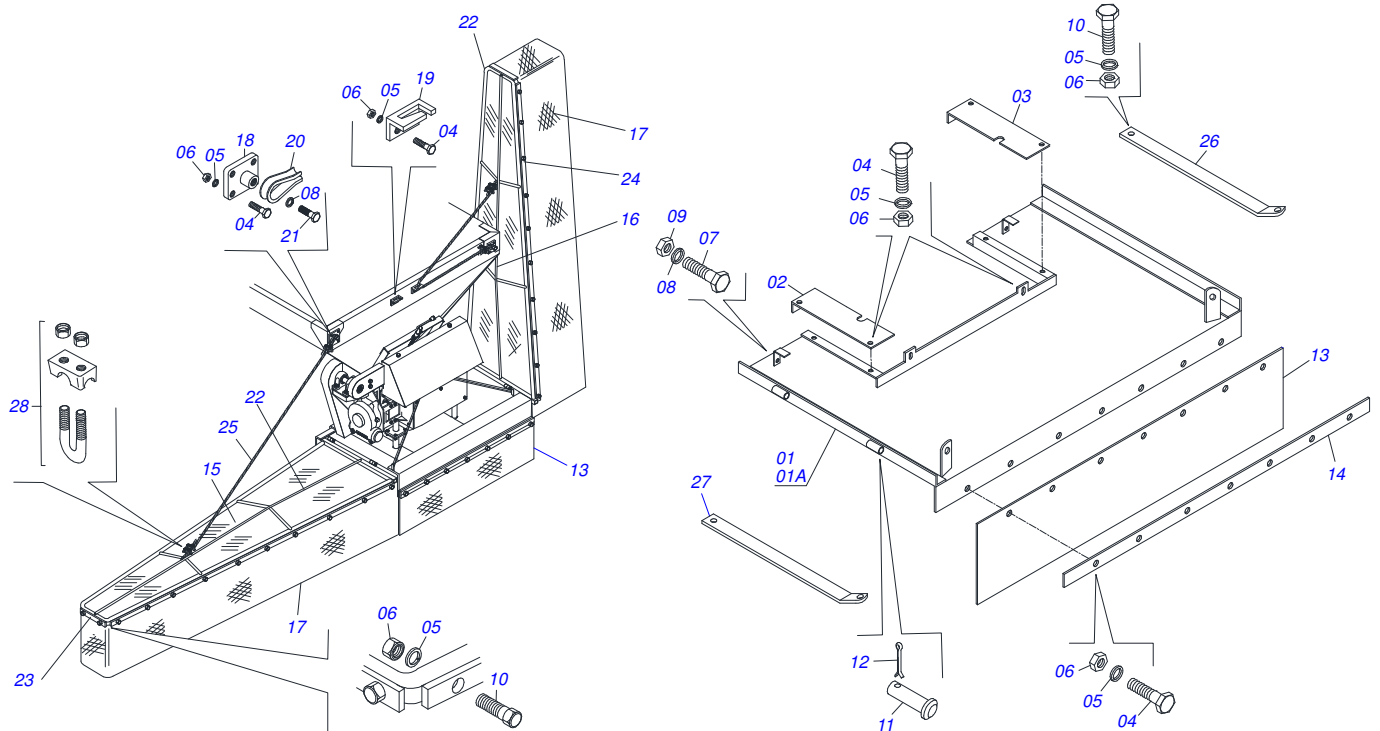
Item	Code	Description	
10	0531015149	BELT PROTECTION SIDE	01
11	0503010751	C3/8" X 1.1/4" HEX BOLT G.5	02
12	0511017302	FLAT WASHER	12
13	0511067790	REAR FIXER COVER	01
14	0503010386	CABLE	01
15	0501010984	FLAT WASHER	05
16	0511067791	REAR COVER	01
17	0501057196	BELT TENSIONER ASSY	01
18	0503010920	1/2" X 1.1/2" BOLT	12
19	0503010019	1/2" SPRING WASHER	12
20	0503010060	1/2" NUT	12
21	0501057323	DEFLECTOR	01
21A	0511067789	SUPPORT FLOW DIVIDING	01
21B	0503010751	C3/8" X 1.1/4" HEX BOLT G.5	02
21C	0501010984	FLAT WASHER	02
21D	0503010025	3/8 SPRING WASHER	02
21E	0503010026	3/8" NUT	02
21F	0511067786	RIGHT FLOW DIVIDING	01
21G	0511067787	LEFT FLOW DIVIDING	01
21H	0551011815	OPEN SPRING	01
21I	0503010584	1/4" X 1" COTTERPIN	01
21J	0501067368	DIVISOR REGULATOR OPEN	02
21K	0503011404	3/8" X 1-3/4" BOLT	01
21L	0503010026	3/8" NUT	02
22	0501057322	TRANSMISSION AXLE	01
22A	0551011819	TRANSMISSION AXLE	01
23	0503010361	SPRING PIN	02
24	0501017574	0.3" X 2.7" AXLE	02
25	0503010140	1/8" X 3/4" COTTERPIN	02
26	0511041213	AGRICULTURAL BEARING	02
26A	0502011954	AGRICULTURAL HOUSING BEARING	02
26B	0503011884	BALL BEARING	02
26C	0503010691	1/4" GREASE FITTING	02
27	0502011361	REEL 1C 5.5" X 1.1" PULLEY	01
28	0501010540	KEYWAY SQUARE	01
29	0503011338	7/16" X 1" BOLT	01
30	0511014052	FLAT WASHER	01
31	0503010180	7/16" SPRING WASHER	01
32	0501069017	12Z GEAR	01
33	0503011268	3/8" X 2-1/2" BOLT	01
34	0503010025	3/8 SPRING WASHER	01
35	0503010026	3/8" NUT	01
36	0531014338	BAMPER	01



Item	Code	Description	
01	0501057196	BELT TENSIONER ASSY	01
01A	0511067792	SUPPORT BELT TENSIONER	01
01B	0511064818	PULLEY TENSIONER	01
01C	0501012140	FLAT WASHER	01
01D	0503010013	5/8" NUT	02
01E	0511012362	TIGHTENER AXLE PULLEY	01
01F	0501019288	WASHER SPACER	02
01G	0502011366	REEL 1C 8.3" X 1.6" PULLEY	01
01H	0503010690	6204 BALL BEARING	02
01I	0521010497	0.8" X 1.1" X 1.1" SPACER	01
01J	0503010014	3/4" NUT	01
01K	0503010002	1800 GREASE FITTING	01



Item	Code	Description	QT
01	0511045359	CONTROLLER DCO/V ASSY	01
01A	0511067945	CONTROLLER DCO/V ASSY	01
02	0503010395	1/2" X 1-1/4" BOLT	02
03	0511017302	FLAT WASHER	02
04	0503010019	1/2" SPRING WASHER	02
05	0503010060	1/2" NUT	02
06	0511064254	CONTROLLER SPOUT	02
07	0503010240	5/16" X 3/4" BOLT	04
08	0503010337	5/16" NUT	08
09	0501067368	DIVISOR REGULATOR OPEN	02
10	0503010751	C3/8" X 1.1/4" HEX BOLT G.5	02
11	0503010026	3/8" NUT	04
12	0503010849	3/8" X 1-1/2" BOLT	02
13	0501010984	FLAT WASHER	02
14	0503010025	3/8 SPRING WASHER	02
15	0503010026	3/8" NUT	02
16	0531014343	RH FLIP	04
17	0531014344	LH FLIP	04



Item	Code	Description	QT
01	0511040996	DAMPER ASSY DCCO 2500/5500/7500	01
01A	0511063700	DAMPER FRAME CENTER	01
02	0511017104	RIGHT COVER SIDE	01
03	0511017105	LEFT COVER SIDE	01
04	0503010237	3/8" X 1" BOLT	68
05	0503010025	3/8 SPRING WASHER	71
06	0503010026	3/8" NUT	71
07	0501010063	1/2" X 1-1/2" BOLT	02
08	0503010019	1/2" SPRING WASHER	04
09	0503010060	1/2" NUT	02
10	0501010080	3/8" BOLT	04
11	0511013803	PIN	04
12	0503010131	3/16" X 1-1/2" COTTERPIN	04
13	0531017727	64" X 16" X 0.1" REAR PROTECTION	01
14	0531017726	REAR RIBBON FIXER BLANKET	01
15	0501066442	RIGHT WING	01
16	0501066443	LEFT WING	01
17	0511013808	BLANKET RUBBER	02
18	0501066515	STELL SUPPORT CABLO	02
19	0501066514	STELL GUIDE CABLO	02
20	0503011202	BRACKET	04
21	0503010834	1/2 X 1 BOLT	02
22	0511013809	SUPPORT PROTECTION	02
23	0511013806	FIXER CANVAS RIBBON	02
24	0511013793	FIXER SUPPORT CANVAS	04
25	0511013817	STELL CABLE	02
26	0531017784	RIGHT FRENCH HAND	01
27	0531017785	LEFT FRENCH HAND	01
28	0503010165	5/16" CABLO STEEL STAPLE	08



MARCHESAN IMPLEMENTOS E MÁQUINAS AGRÍCOLAS TATU S.A.

AV. Marchesan, 1979 - Post office box, 131 - CEP 15994-900 - Matão - SP - Brazil

Phone +55 16.3382-8282

(FAX Parts) + 55 16.3382. 8297 - (Export) + 55 16.3382.1003

e.mail: tatu@marchesan.com.br www.marchesan.com.br

Technical Publications: Elaboration

JOSÉ DOMINGOS GASPARI

Technical Publications: Revision

ALESSANDRA PATRICIA KAWAHARA CARRILI

Contact Catálogo:

E-mail = jgaspari@marchesan.com.br

**ORIGINAL PARTS
TATU**

