

CHASER BIN

DCCO 2500 MC

Code: 0501091509
Series: S-0302
Revision: 00
Date Revision: FEVEREIRO/2016

PARTS CATALOGUE



MARCHESAN



PRODUCTS

Code	Description
0109090046	DCCO 2500 MC S-0302
0109090054	DCCO 2500 MC C/ABAFADOR S-0302
0109090129	DCCO 2500 MC C/DIR PN 11L15 S-0302
0109090064	DCCO 2500 MC C/DIRECCIONADOR S-0302
0109090097	DCCO 2500 MC C/PN11L15 S-0302
0109090132	DCCO 2500 MC C/RODA S/PNEU S-0302

ATTENTION: IMPORTANT

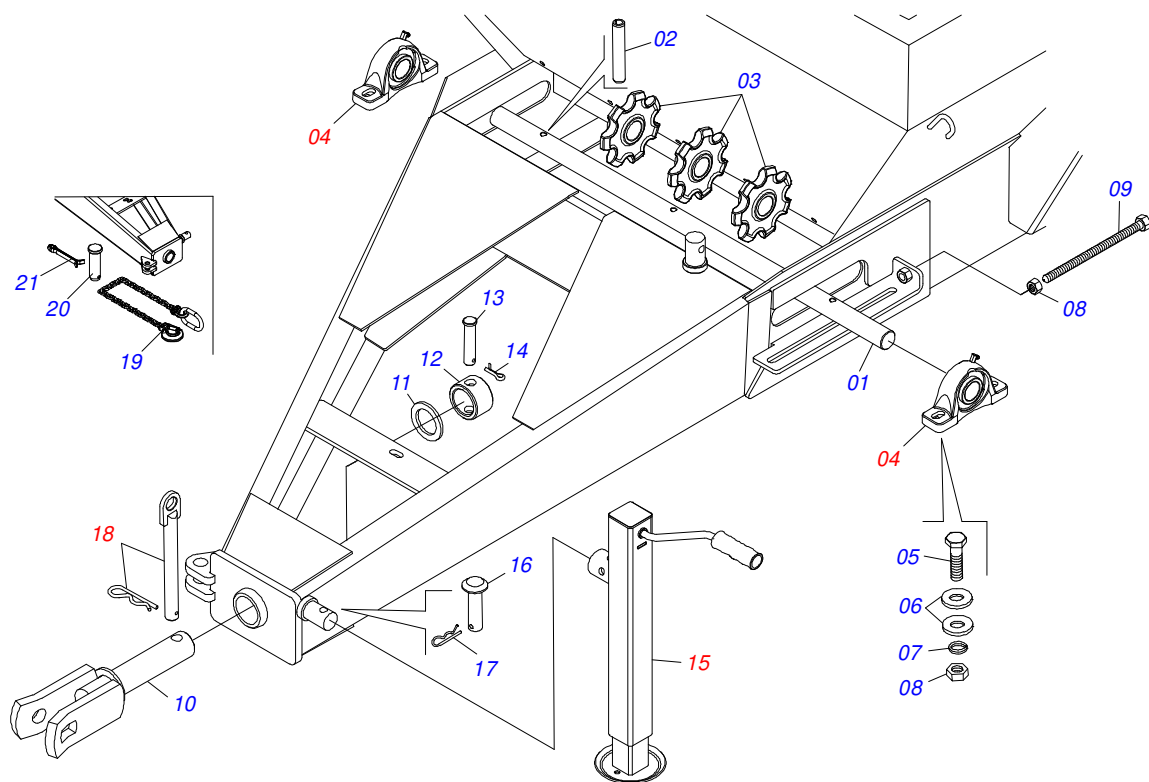
Marchesan S.A. reserves the right to improve and/or modify the technical features of its products, without obligation to do the same with those products already sold and without prior knowledge of the dealer or the consumer. The photos are only illustrative.



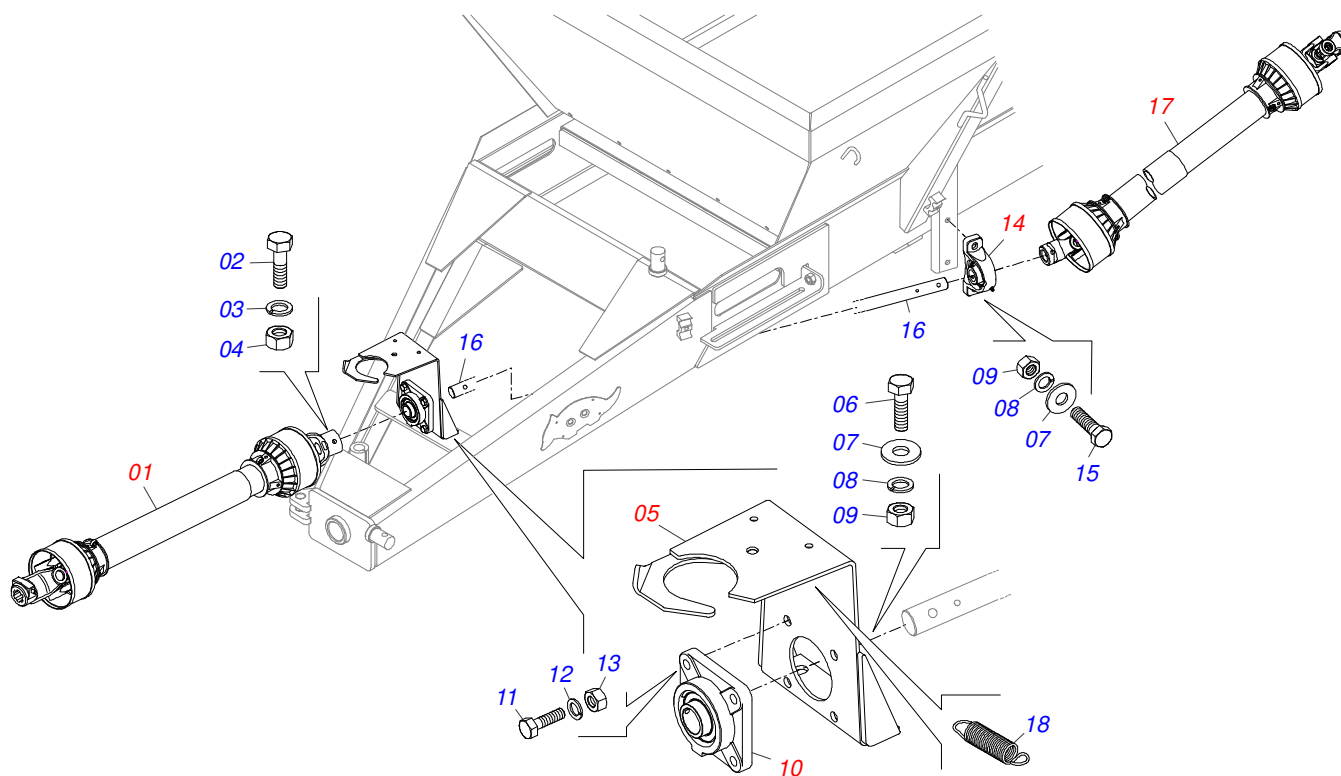
MARCHESAN

INDEX

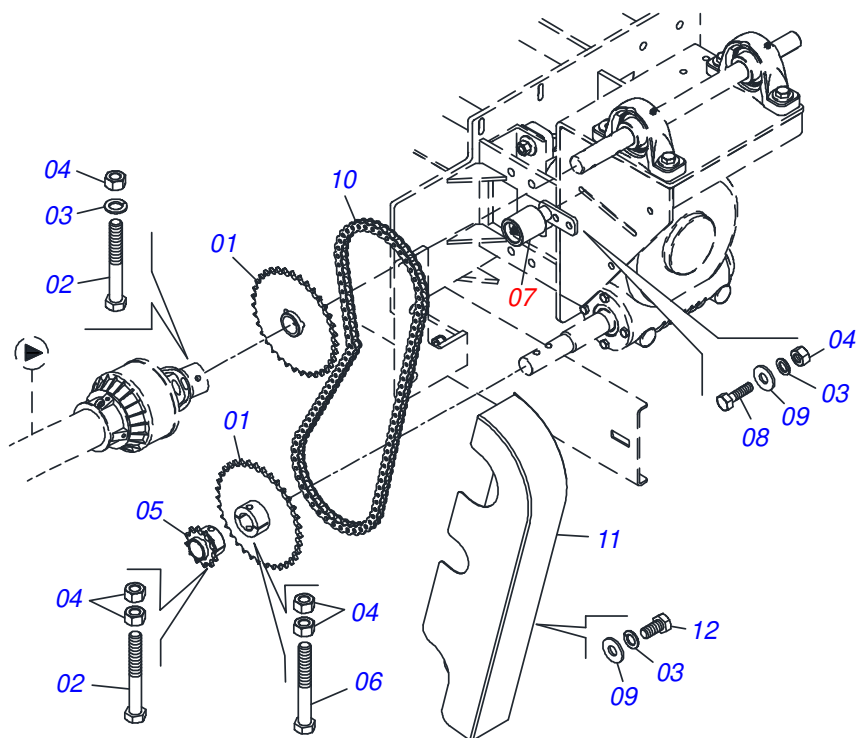
0909094503	FRONT COMPONENTS	1
0909094777	AXLE CARDAN HYDRAULIC CONTROL	2
0909094779	DRIVE CHAIN	3
0909094618	DISTRIBUTOR DISC CONTROLS	4
0909094386	REDUCTOR	5
0909094424	COVER PROTECTOR	6
0909094778	FRAME WITH BUCKET	7
0909094584	FIXED CARRYING WHEEL WITH TIRES	8
0909094585	11L15 FIXED CARRYING WHEEL WITH TIRES	9
0909094433	SUPPORT PROTETION DISC	10
0511041062	SUPPORT FIXATION	11
0501047881	AXIS JOINT ASSY	12
0503062157	HEADER JACK	13
0501048241	DRIVE SHAFT	14
0501048409	DRIVE SHAFT	15
0501050829	CHAIN TENSIONER	16
0501044306	BATH BEARING	17
0501056885	CARDAN LEVER SUPPORT	18
0501054014	LEFT BEARING SUPPORT DISC	19
0501054013	RIGHT BEARRING SUPPORT DISC	20
0501058677	DISTRIBUTOR RIGHT DISC ASSY	21
0501058675	DISTRIBUTOR LEFT DISC ASSY	22
0501053868	BELT TENSIONER ASSY	23
0501047985	REDUCER	24
0511059094	SHAFT BEARING THREADED	25
0501044308	AGRICULTURAL BEARING ASSY	26
0503060206	29.5"X0.6"- 10L WHEEL AND TIRE ASSY	27
0501051142	CARRYING WHEEL HUB	28
0503060181	WHEEL AND TIRE	29
0909090357	CONTROLLER DCCO	30
0909090359	DAMPER ASSY DCCO (2500/5500/7500)	31



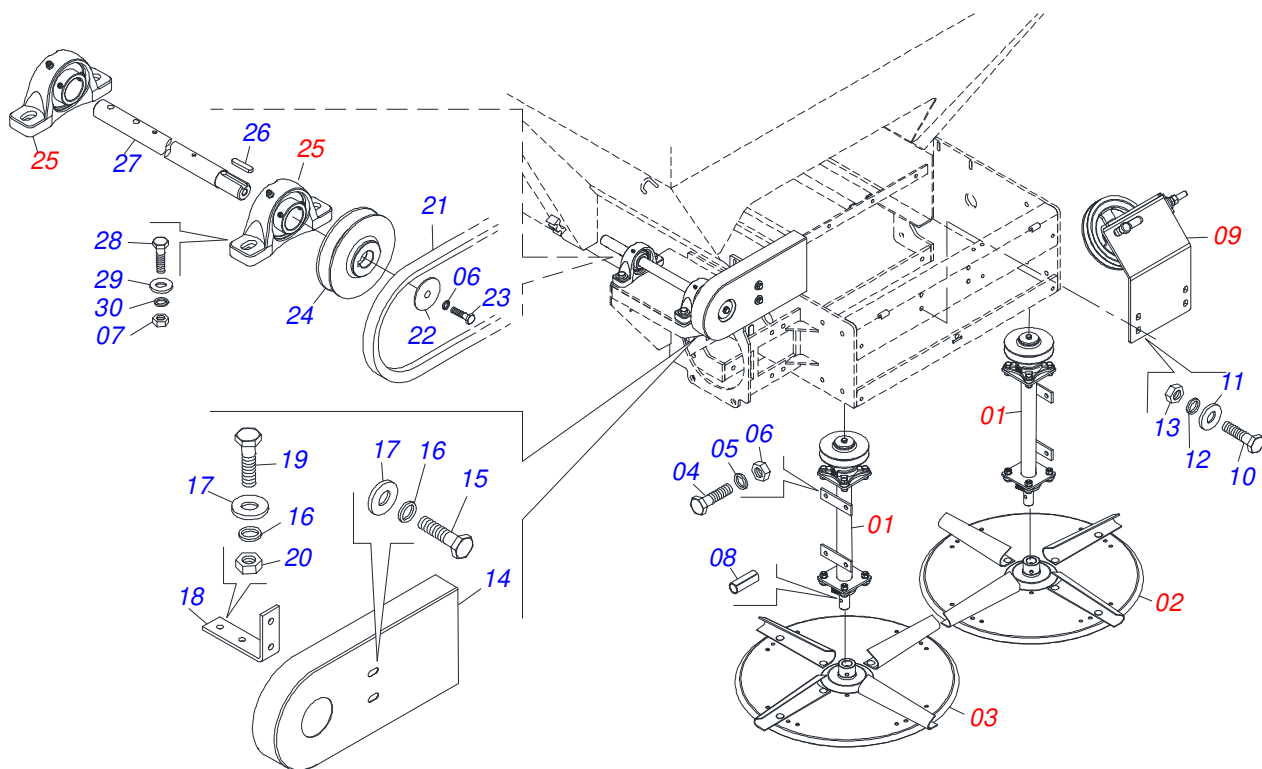
Item	Code	Description	See page	QT
01	0531014345	DRIVEN AXLE		01
02	0503010361	SPRING PIN		03
03	0502040728	7Z GEAR		03
04	0501044308	AGRICULTURAL BEARING ASSY	26	02
05	0503810233	5/8" X 2-1/2" BOLT		04
06	0501012140	FLAT WASHER		08
07	0503010027	5/8" SPRING WASHER		04
08	0503010013	5/8" NUT		06
09	0501067853	ROD STABILIZER		02
10	0501069166	TRACTOR HITCH		01
11	0521015342	WASHER SPACER		01
12	0521010681	BUSHING COUPLING BODY		01
13	0521010639	COUPLING SHAFT		01
14	0503010571	1/4" X 1.1/2 COTTERPIN		01
15	0503062157	HEADER JACK	13	01
16	0521010549	COUPLING SHAFT		01
17	0503030168	HITCH PIN CLIP		01
18	0501047881	AXIS JOINT ASSY	12	01
19	0503013150	1300 X 3/8 CHAIN		01
20	0581011220	COUPLING SHAFT		01
21	0503010131	3/16" X 1-1/2" COTTERPIN		01



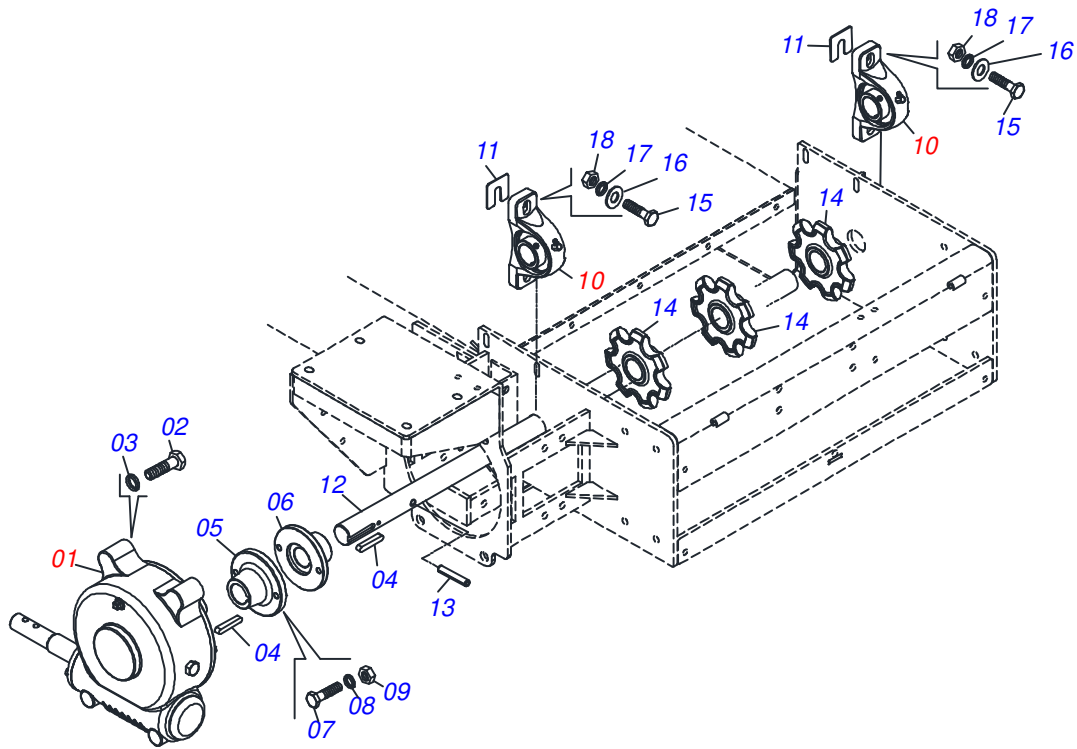
Item	Code	Description	See page	QT
01	0501048241	DRIVE SHAFT	14	01
02	0503010849	3/8" X 1-1/2" BOLT		01
03	0503010025	3/8" SPRING WASHER		01
04	0503010026	3/8" NUT		01
05	0501056885	CARDAN LEVER SUPPORT	18	01
06	0503010920	1/2" X 1.1/2" BOLT		02
07	0511017302	FLAT WASHER		04
08	0503010019	1/2" SPRING WASHER		04
09	0503010060	1/2" NUT		04
10	0501044306	BATH BEARING	17	01
11	0503011102	BOLT 7/16 UNC X 1.1/4 C S G.5 ZN		04
12	0503011446	SPRING WASHER		04
13	0503010244	7/16" NUT		04
14	0501044308	AGRICULTURAL BEARING ASSY	26	01
15	0503010740	BOLT 1/2 UNC X 2 CS G.5 ZN		02
16	0521012443	TRANSMISSION AXLE		01
17	0501048409	DRIVE SHAFT	15	01
18	0503030198	0.6" X 2.4" X 0.1" EXTENSION SPRING		01



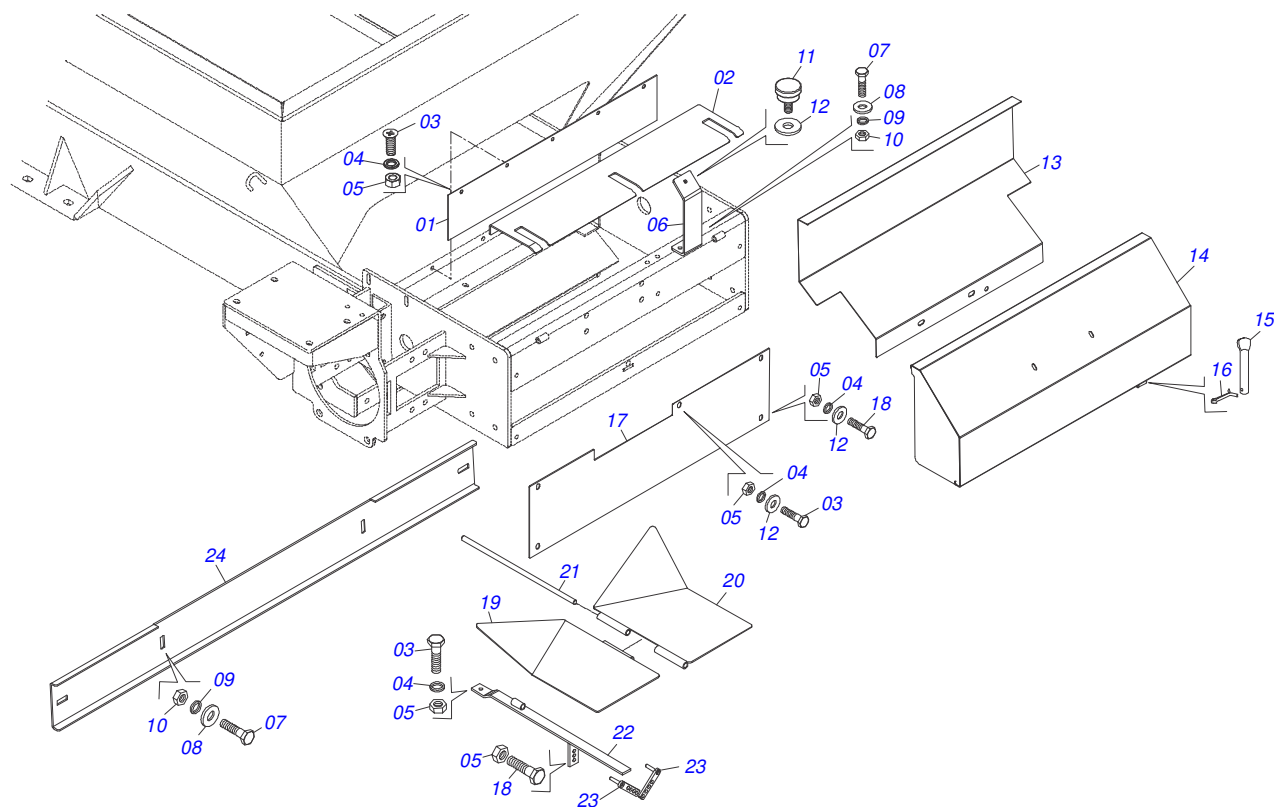
Item	Code	Description	See page	QT
01	0501069020	35Z GEAR		02
02	0503011268	3/8" X 2-1/2" BOLT		02
03	0503011443	3/8" SPRING WASHER		05
04	0503010026	3/8" NUT		07
05	0501069017	12Z GEAR		01
06	0503011141	3/8" X 2-3/4" BOLT		01
07	0501050829	CHAIN TENSIONER	16	01
08	0503010237	3/8" X 1" BOLT		02
09	0501010984	FLAT WASHER		04
10	0503013003	50-1 CHAIN X 79 LINK + REDUCTION + MENDING		01
11	0501069179	CARRY-WHEEL CHAIN PROTECTION CAP		01
12	0503010256	3/8" X 3/4" BOLT		02



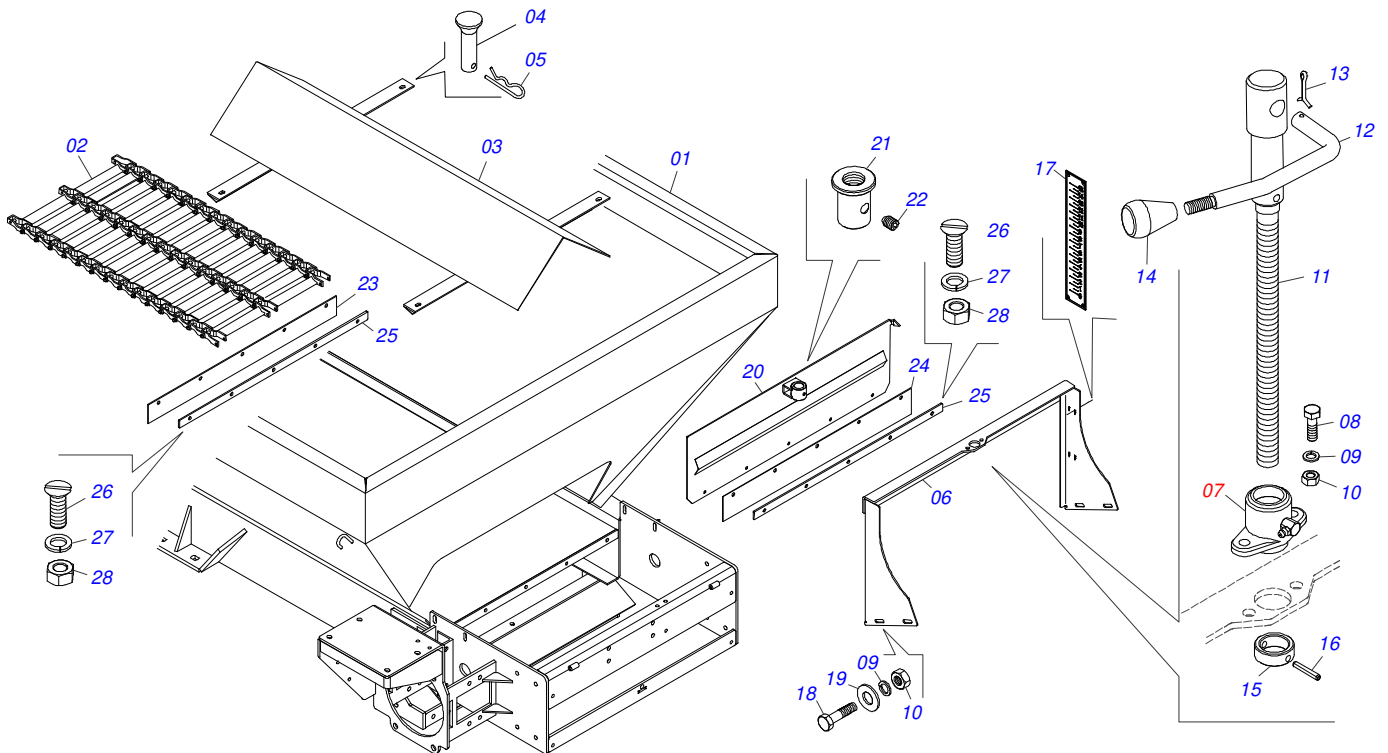
Item	Code	Description	See page	QT
01	0501054013	RIGHT BEARING SUPPORT DISC	20	02
02	0501053870	DISTRIBUTOR RIGHT DISC ASSY		01
03	0501053871	DISTRIBUTOR LEFT DISC ASSY		01
04	0503010920	1/2" X 1.1/2" BOLT		08
05	0503010019	1/2" SPRING WASHER		08
06	0503010060	1/2" NUT		08
07	0503010013	5/8" NUT		04
08	0503010361	SPRING PIN		02
09	0501053868	BELT TENSIONER ASSY	23	01
10	0503010920	1/2" X 1.1/2" BOLT		04
11	0511017302	FLAT WASHER		04
12	0503011440	SPRING WASHER		04
13	0503010060	1/2" NUT		04
14	0531015149	BELT PROTECTION SIDE		01
15	0503010237	3/8" X 1" BOLT		02
16	0503010025	3/8" SPRING WASHER		06
17	0501010984	FLAT WASHER		04
18	0521063891	FIXER OF PROTECTION		01
19	0503010751	C3/8" X 1.1/4" HEX BOLT G.5		02
20	0503010026	3/8" NUT		04
21	0503012941	C-148 BELT		01
22	0511014052	FLAT WASHER		01
23	0503010355	7/16" X 1" BOLT		01
24	0502011361	REEL 1C 5.5" X 1.1" PULLEY		01
25	0511041213	AGRICULTURAL BEARING		02
26	0501010540	KEYWAY SQUARE		02
27	0531014330	DRIVE AXLE		01
28	0503010899	5/8" X 2-1/4" BOLT		04
29	0501012140	FLAT WASHER		04
30	0503010027	5/8" SPRING WASHER		04



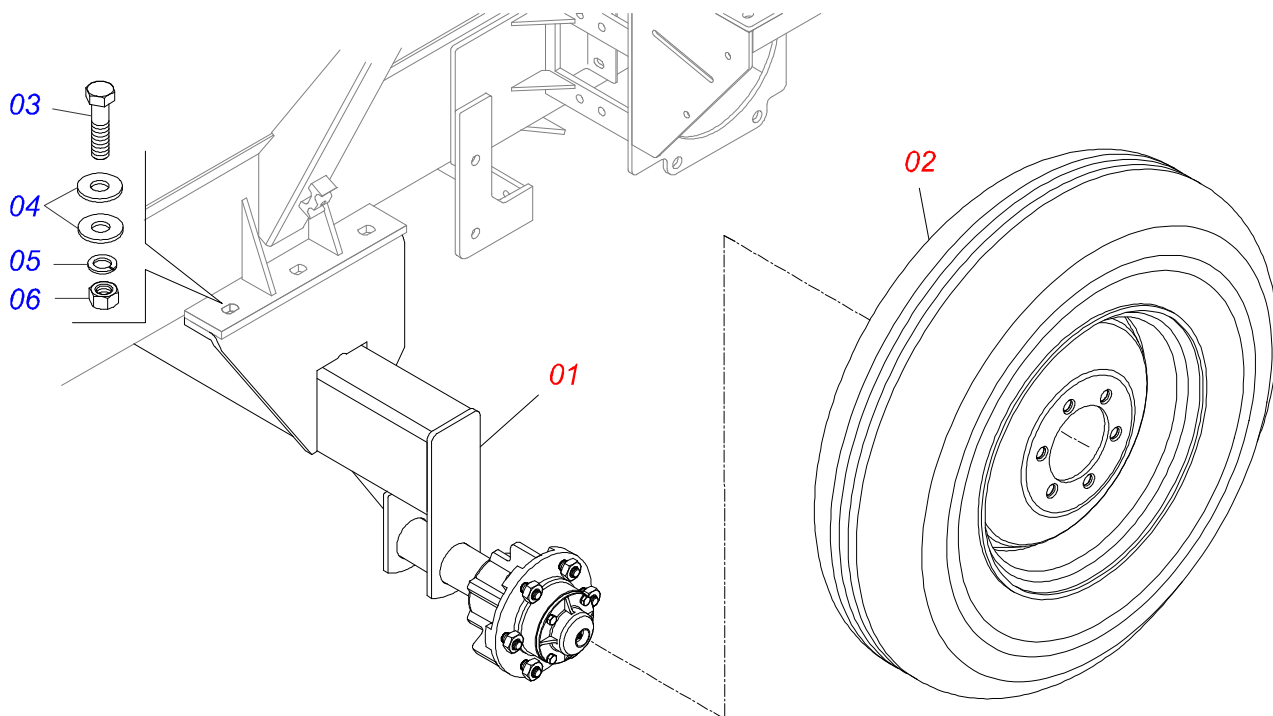
Item	Code	Description	See page	QT
01	0501047985	REDUCER	24	01
02	0503011167	M16 X 2 X 30 BOLT		04
03	0503011445	SPRING WASHER		04
04	0501010540	KEYWAY SQUARE		02
05	0511016541	REDUCTION COUPLING FLANGE		01
06	0511016540	MAT COUPLING FLANGE		01
07	0503010849	3/8" X 1-1/2" BOLT		02
08	0503010025	3/8" SPRING WASHER		02
09	0503010026	3/8" NUT		02
10	0501044308	AGRICULTURAL BEARING ASSY	26	02
11	0501010794	HIDR CHOCK REGULATOR		04
12	0531014346	MOTOR SHAFT		01
13	0503010361	SPRING PIN		03
14	0502040728	7Z GEAR		03
15	0503010740	BOLT 1/2 UNC X 2 CS G.5 ZN		04
16	0511017302	FLAT WASHER		04
17	0503011440	SPRING WASHER		04
18	0503010060	1/2" NUT		04



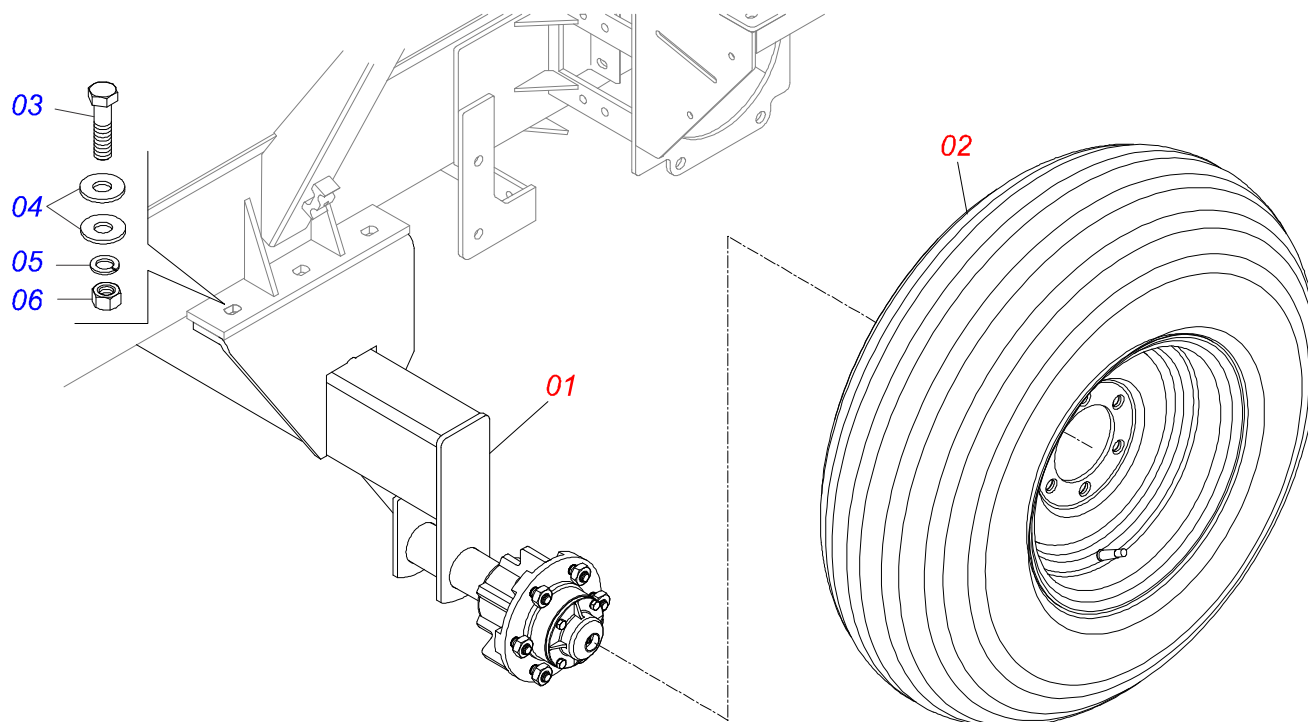
Item	Code	Description	See page	QT
01	0531014337	PROTECTION LARGER		01
02	0531014324	TOOTH COVER		01
03	0503010237	3/8" X 1" BOLT		09
04	0503010025	3/8" SPRING WASHER		11
05	0503010026	3/8" NUT		07
06	0511063668	REAR FIXER COVER		01
07	0503010920	1/2" X 1.1/2" BOLT		03
08	0511017302	FLAT WASHER		03
09	0503011440	SPRING WASHER		03
10	0503010060	1/2" NUT		03
11	0503010386	CABLE		01
12	0501010984	FLAT WASHER		06
13	0531017088	BELT PROTECTION		01
14	0511063408	REAR COVER PROTECTION		01
15	0501017574	0.3" X 2.7" AXLE		02
16	0503010140	1/8" X 3/4" COTTERPIN		02
17	0531014340	REAR PROTECTION		01
18	0503010849	3/8" X 1-1/2" BOLT		03
19	0511063660	LEFT FLOW DIVIDING		01
20	0511063659	RIGHT FLOW DIVIDING		01
21	0531015309	TENSIONER OPEN		01
22	0511063625	REAR DEFLECTOR SUPPORT		01
23	0501067368	DIVISOR REGULATOR OPEN		02
24	0531014338	BAMPER		01



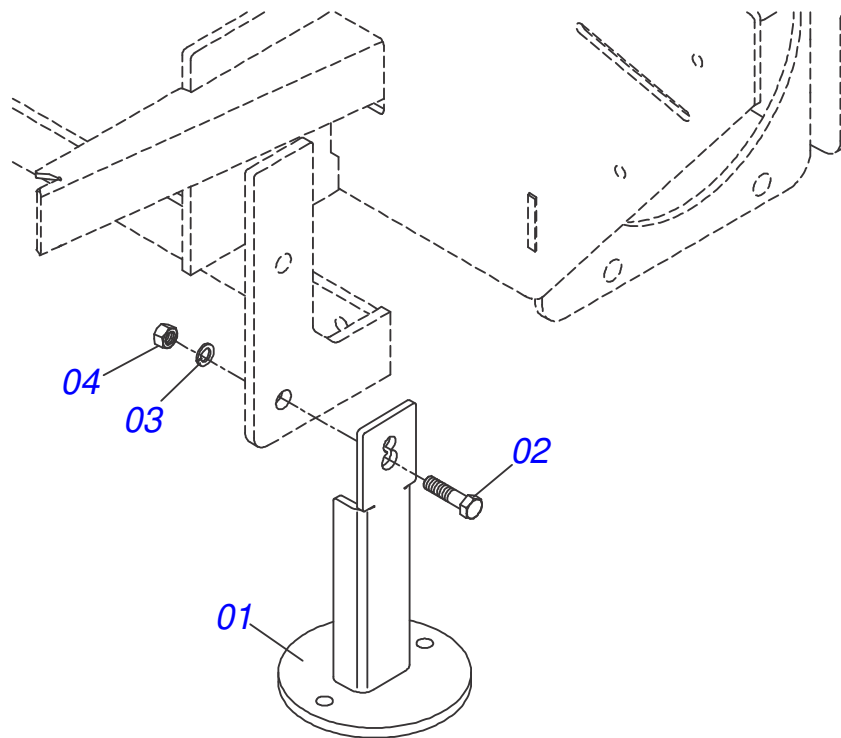
Item	Code	Description	See page	QT
01	0511063842	BUCKET		01
02	0511063813	DRIVE THE TRANSPORT TALISCA		01
03	0511063841	LARGER DEFLECTOR		01
04	0521017623	0.5" X 1.5" COUPLING SHAFT		04
05	0503030168	HITCH PIN CLIP		04
06	0511063410	SLUICE VALVE SUPPORT		01
07	0511059094	SHAFT BEARING THREADED	25	01
08	0503010237	3/8" X 1" BOLT		02
09	0503010025	3/8" SPRING WASHER		02
10	0503010026	3/8" NUT		02
11	0501069214	REGULATOR		01
12	0521011107	CRANK BODY		01
13	0503010257	1/8" X 1" COTTERPIN		01
14	0503030878	LEVER CRANK		01
15	0511013015	SLEEVE		01
16	0503010561	SPRING PIN		01
17	0503030751	REGULATOR PLATE		01
18	0503011268	3/8" X 2-1/2" BOLT		04
19	0501010984	FLAT WASHER		04
20	0511063413	SLUICE VALVE COVER		01
21	0501019831	ADJUSTING NUT		01
22	0503011148	3/8" X 1/2" BOLT		01
23	0531014336	31.4"X3.1"X0.1" PROTECTION SMALLER		01
24	0531014337	PROTECTION LARGER		01
25	0531014331	SLUICE VALVE FIXER COVER		02
26	0503010814	5/16 BOLT		10
27	0503011444	SPRING WASHER		10
28	0503010337	5/16" NUT		10



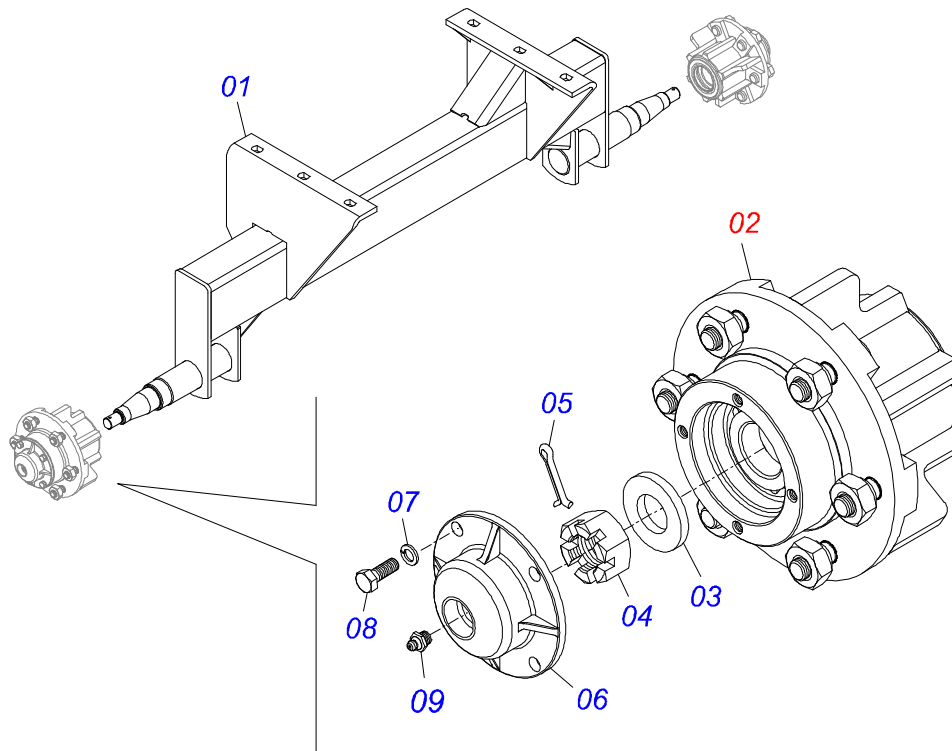
Item	Code	Description	See page	QT
01	0511041062	SUPPORT FIXATION	11	01
02	0503060206	29.5"X0.6"- 10L WHEEL AND TIRE ASSY	27	01
03	0503010899	5/8" X 2-1/4" BOLT		06
04	0501012140	FLAT WASHER		12
05	0503010027	5/8" SPRING WASHER		06
06	0503010013	5/8" NUT		06



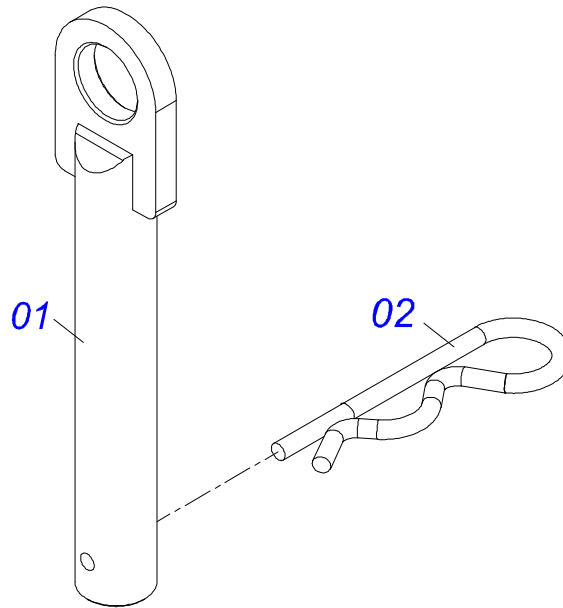
Item	Code	Description	See page	QT
01	0511041062	SUPPORT FIXATION	11	01
02	0503060181	WHEEL AND TIRE	29	01
03	0503010899	5/8" X 2-1/4" BOLT		06
04	0501012140	FLAT WASHER		12
05	0503010027	5/8" SPRING WASHER		06
06	0503010013	5/8" NUT		06



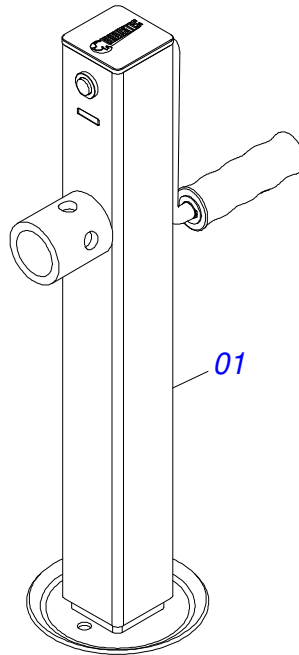
Item	Code	Description	See page	QT
01	0521067015	SUPPORT PROTETION DISC		02
02	0503011267	BOLT 5/8 UNC X 1.1/2 C S G.5 ZN		02
03	0503011445	SPRING WASHER		02
04	0503010013	5/8" NUT		02



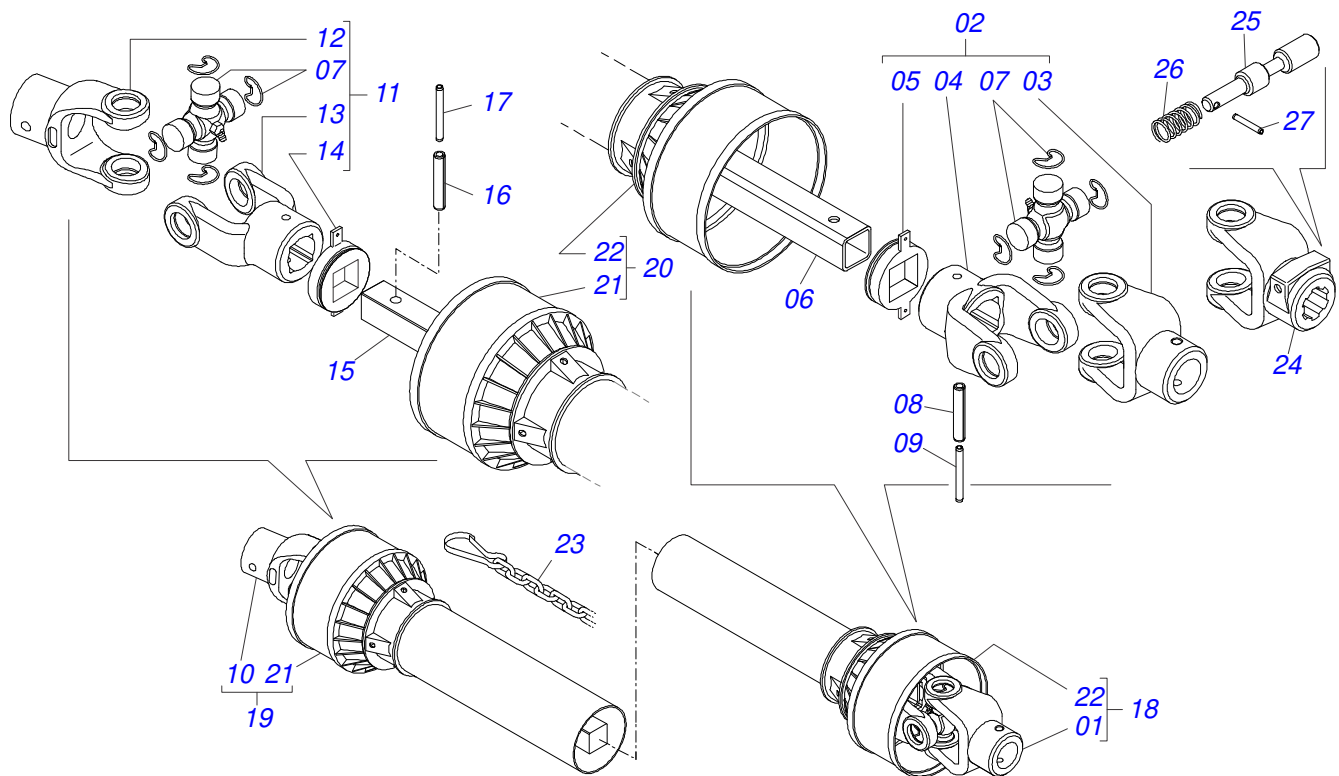
Item	Code	Description	See page	QT
01	0511063812	CARRYING-WHEELS SUPPORT FIXER		01
02	0501051142	CARRYING WHEEL HUB	28	02
03	0501016545	FLAT WASHER		02
04	0503030009	1" CASTLE NUT		02
05	0503010131	3/16" X 1-1/2" COTTERPIN		02
06	0502020591	PROTECCION COVER		02
07	0503011444	SPRING WASHER		08
08	0503010178	5/16" X 7/8" BOLT		08
09	0503010002	1800 GREASE FITTING		02



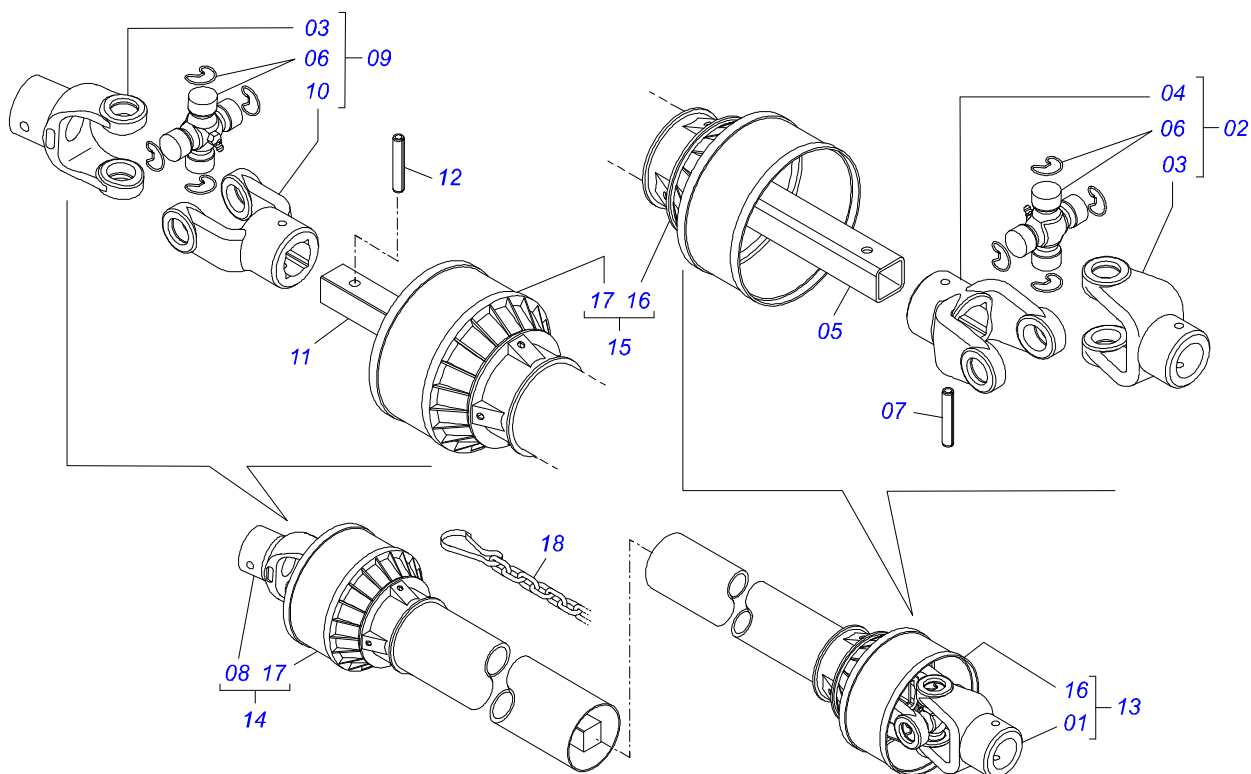
Item	Code	Description	See page	QT
01	0501068989	COUPLING SHAFT		01
03	0503031035	HITCH PIN CLIP		01



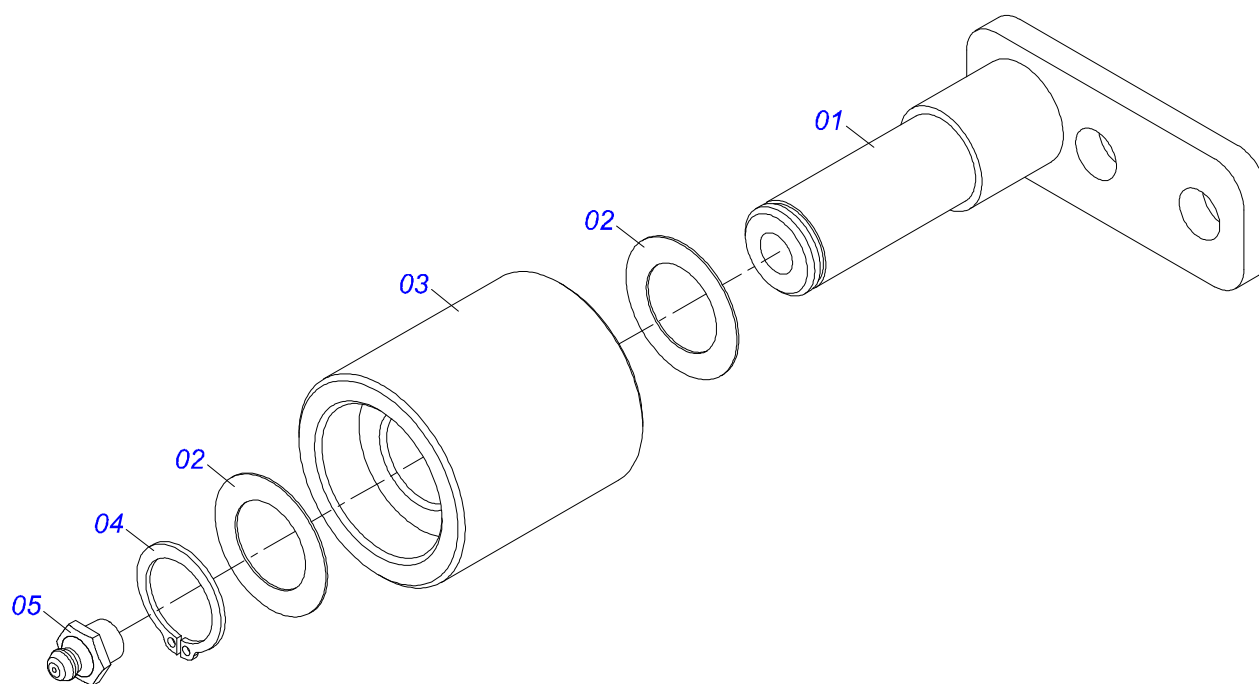
Item	Code	Description	See page	QT
01	0503062157	HEADER JACK	13	01



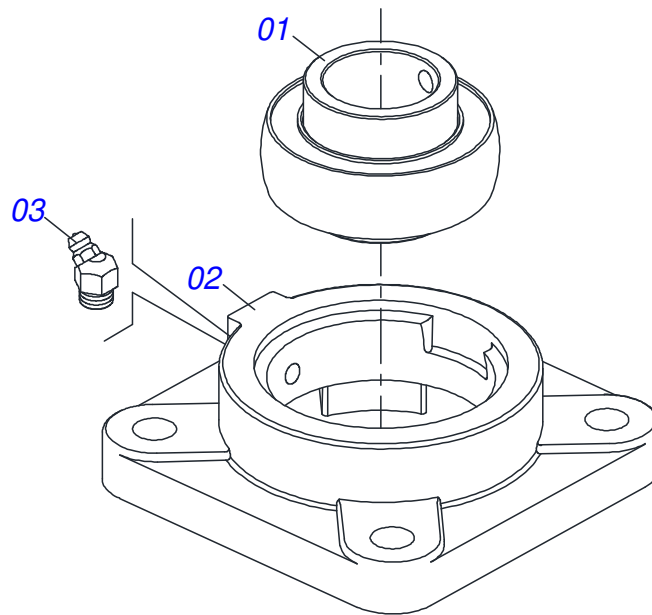
Item	Code	Description	See page	QT
01	0501052176	SLEEVE UNIVERSAL JOINT		01
02	0501050265	UNIVERSAL JOINT		01
03	0501050333	1-40 TERMINAL WITH HITCH		01
04	0502010565	2-40 TERMINAL W/ SH 1.5"/1.5"		01
05	0503012069	ADAPTER FOR BUSHING PROTECT		01
06	0521013800	16" X 1.4" SQUARE SLEEVE		01
07	0503010836	CARDAN CROSSPIECE		02
08	0503011069	0.4" X 2.8" SPRING PIN		01
09	0503010510	0.2" X 2.6" SPRING PIN		01
10	0501052177	AXLE UNIVERSAL JOINT		01
11	0501052178	UNIVERSAL JOINT		01
12	0502011611	9-40 TERMINAL		01
13	0502010566	3-40 TERMINAL WITH SH 1.2"/1.2"		01
14	0503012070	ADAPTER FOR AXLE PROTECTION		01
15	0521013801	1.2" X 15.7" SQUARE SHAFT		01
16	0503010361	SPRING PIN		01
17	0503010756	0.2" X 2.4" SPRING PIN		01
18	0501052179	PROT/SLEEVE UNIVERSAL JOINT		01
19	0501052180	PROT/AXLE UNIVERSAL JOINT		01
20	0503012277	PROTECTION ASSY		01
21	0503012279	PROTECTION FOR UNIV JOINT AND AXLE		01
22	0503012278	PROTECTION FOR UNIV JOINT SLEEVE		01
23	0503012023	CHAIN FOR PROTECTION		02
24	0502010563	1-40 STRIATED 1.3/8" TERMINAL		01
25	0521010638	0.5" X 3.3" QUIC HITCH COUPL SHAFT		01
26	0503030518	0.5"X1.0"X 0.1" COMPRESSION SPRING		01
27	0503010838	0.1" X 0.8" SPRING PIN		01



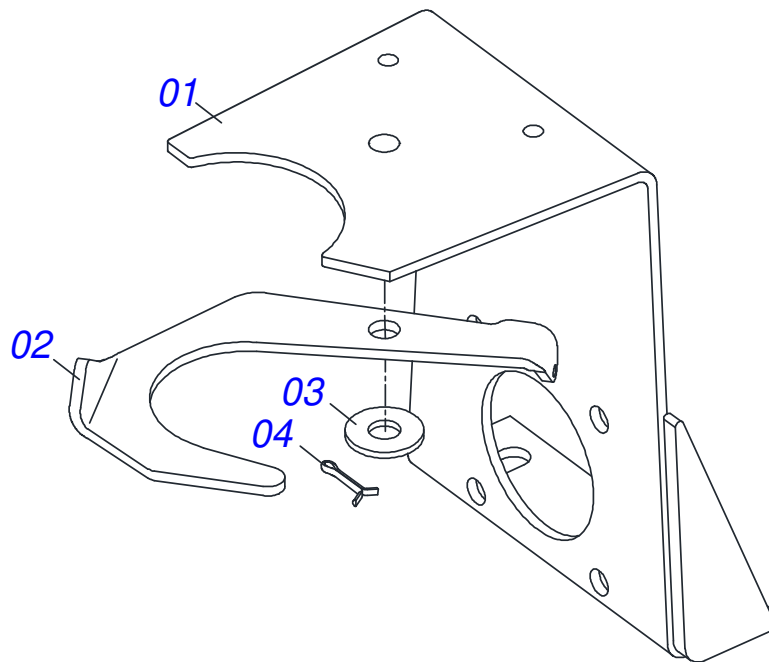
Item	Code	Description	See page	QT
01	0501052160	SLEEVE UNIVERSAL JOINT		01
02	0501051718	UNIVERSAL JOINT		01
03	0502010558	4-20 TERMINAL WITH ROLES		02
04	0502011426	2-20 TERMINAL		01
05	0521013797	0.9\"X1.1\"X31.5\" SQUARE SLEEVE		01
06	0503010835	CARDAN CROSSPICE		02
07	0503010839	03\"X 0.6\" SPRING PIN		01
08	0501052161	UNIVERSAL JOINT WITH AXLE		01
09	0501051720	UNIVERSAL JOINT		01
10	0502011427	3-20 TERMINAL		01
11	0521013794	0.9\" X 31.5\" SQUARE SHAFT		01
12	0503010301	0.3\" X 1.8\" SPRING PIN		01
13	0501052162	PROT/SLEEVE UNIVERSAL JOINT		01
14	0501052163	PROT/AXLE UNIVERSAL JOINT		01
15	0503012268	PROTECTION ASSY		01
16	0503012269	PROTECTION FOR UNIV JOINT SLEEVE		01
17	0503012270	PROTECTION FOR UNIV JOINT AND AXLE		01
18	0503012023	CHAIN FOR PROTECTION		01



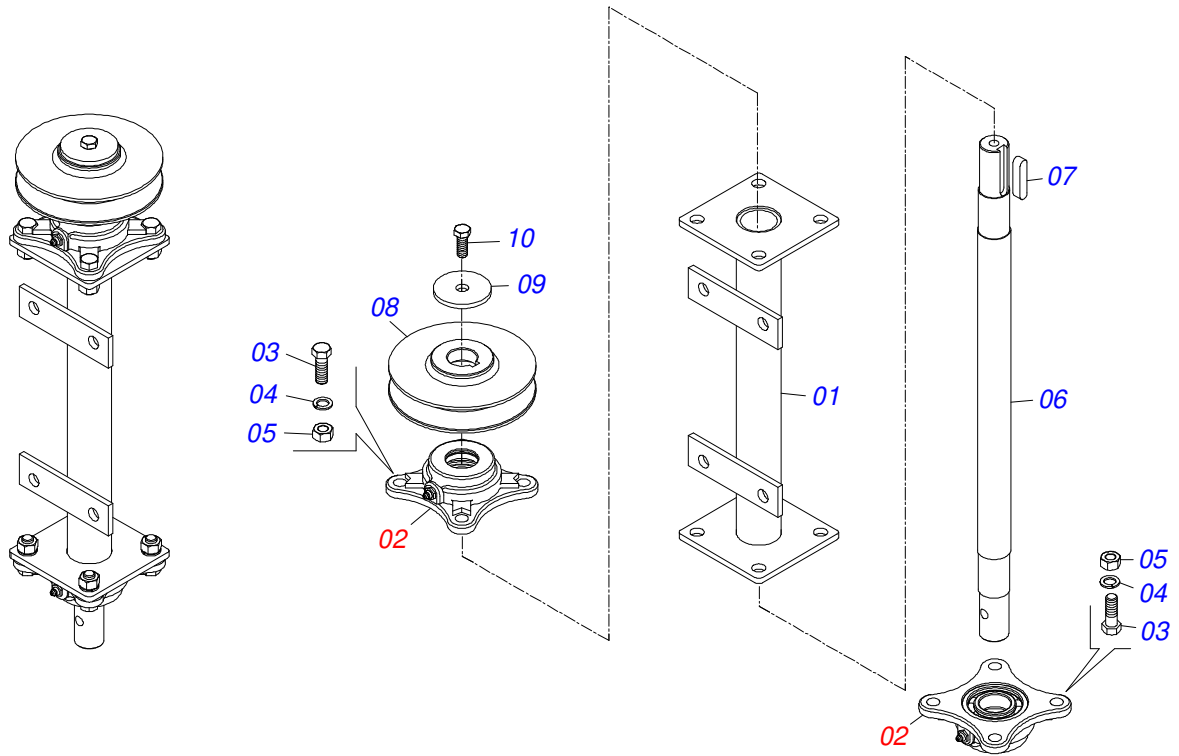
Item	Code	Description	See page	QT
01	0501067692	BELT TENSIONER BODY		01
02	0511015098	FLAT WASHER		02
03	0511017041	TENSIONER ROLD		01
04	0503010302	501019 SEAL RING		01
05	0503010002	1800 GREASE FITTING		01



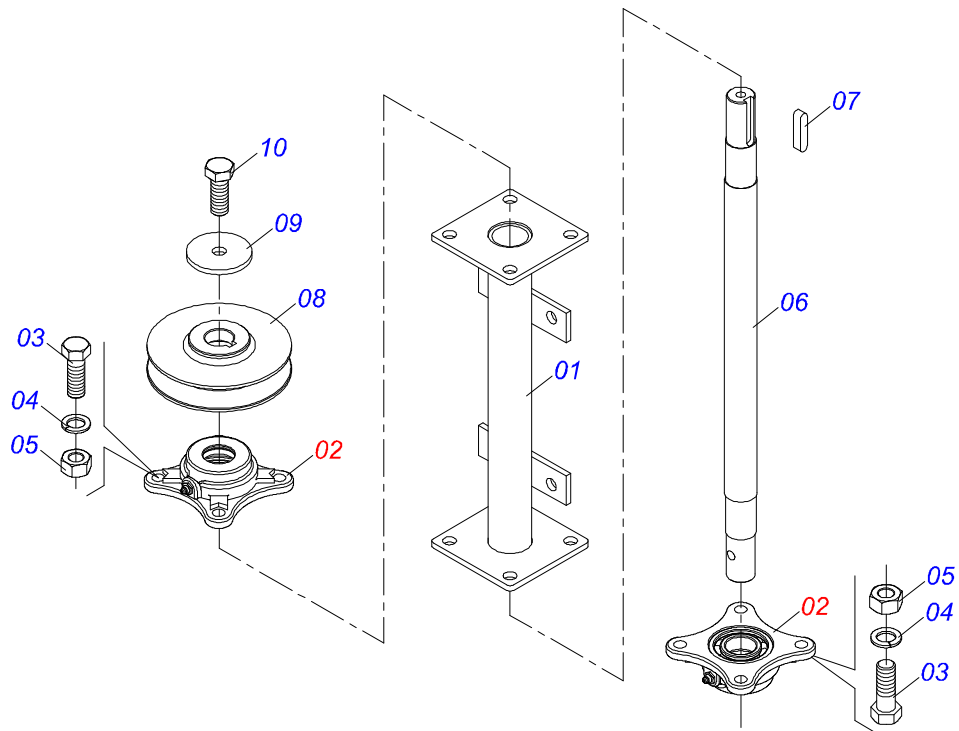
Item	Code	Description	See page	QT
01	0503011162	BALL BEARING		01
02	0503011146	HOUSING BEARING		01
03	0503011099	GREASE FITTING		01



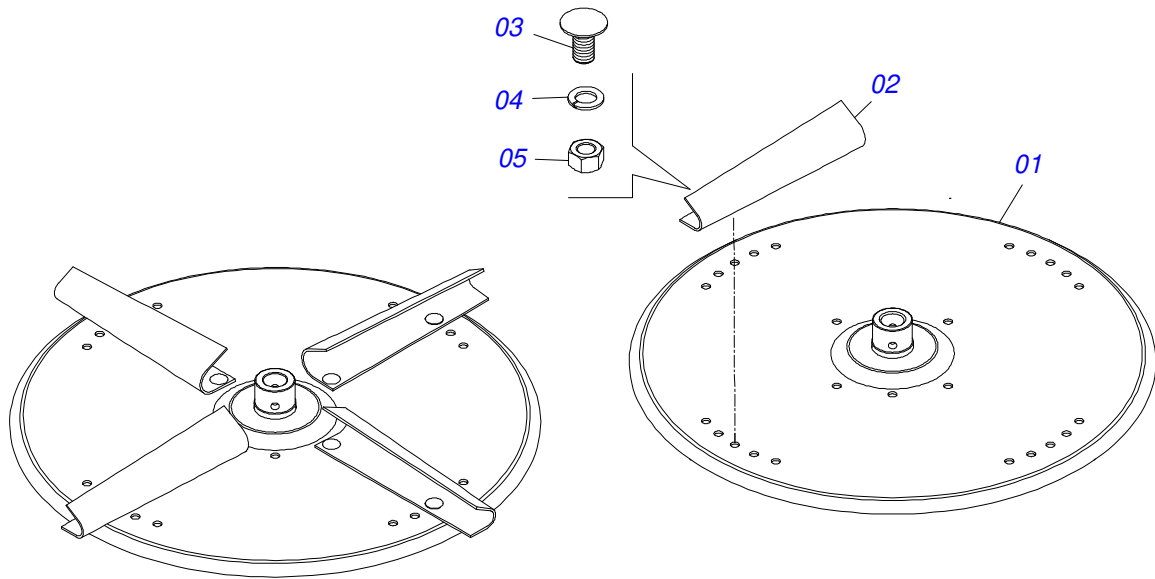
Item	Code	Description	See page	QT
01	0501066588	CARDAN LARGE SUPPORT		01
02	0511014066	CARDAN SMALLE SUPPORT		01
03	0511017302	FLAT WASHER		01
04	0503010257	1/8" X 1" COTTERPIN		01



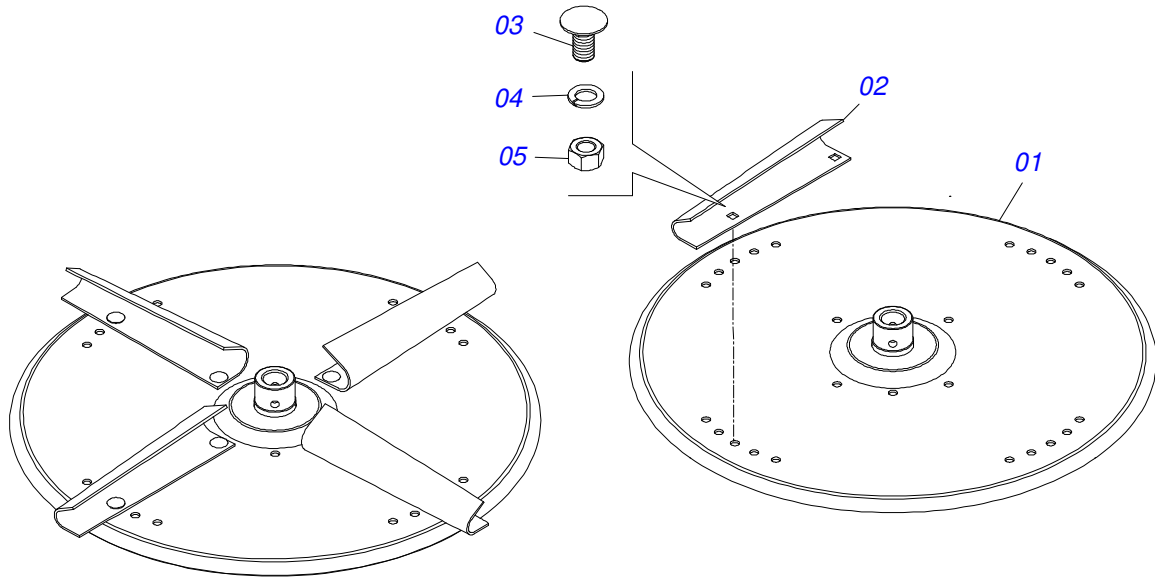
Item	Code	Description	See page	QT
01	0511063742	DISTRIBUTOR RIGHT/LEFT SUPPORT		01
02	0501048000	AGRICULTURAL BEARING		02
03	0503011102	BOLT 7/16 UNC X 1.1/4 C S G.5 ZN		08
04	0503010180	7/16" SPRING WASHER		08
05	0503010244	7/16" NUT		08
06	0511016489	DISTRIBUTOR AXLE CONDUCTOR DISC		01
07	0501010536	KEYWAY SQUARE		01
08	0502011361	REEL 1C 5.5" X 1.1" PULLEY		01
09	0511014052	FLAT WASHER		01
10	0503010237	3/8" X 1" BOLT		01



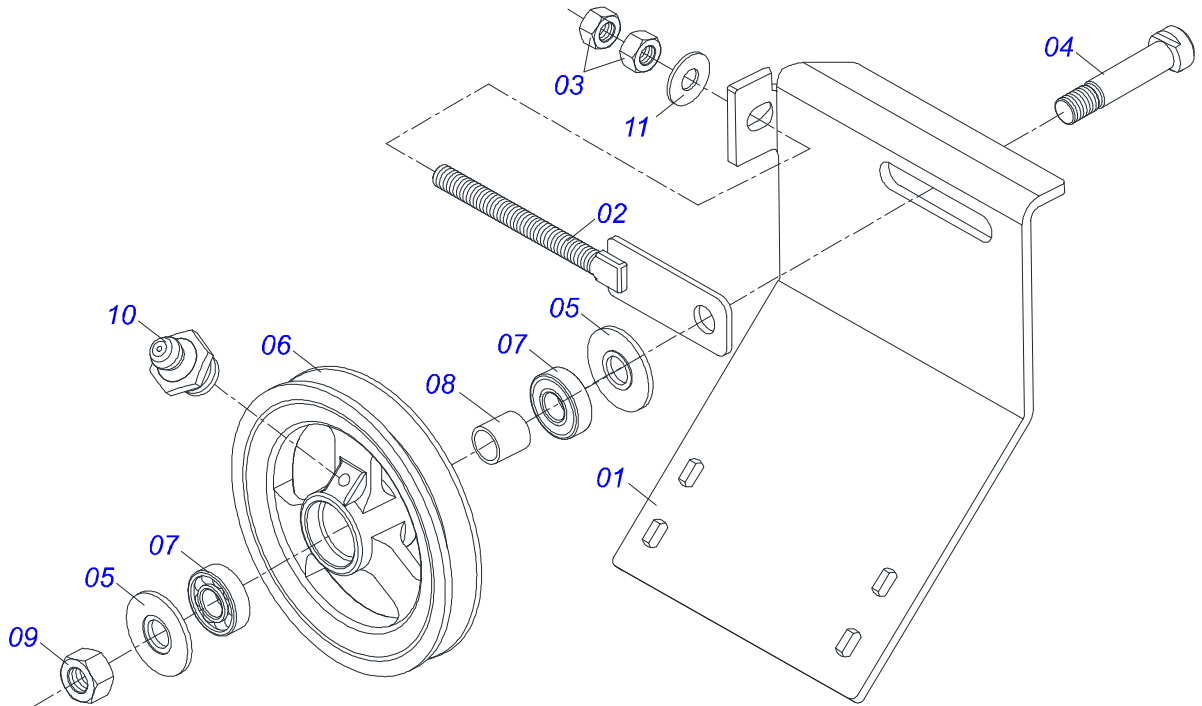
Item	Code	Description	See page	QT
01	0511063742	DISTRIBUTOR RIGHT/LEFT SUPPORT	01	01
02	0501048000	AGRICULTURAL BEARING	02	02
03	0503011135	BOLT	08	08
04	0503011446	SPRING WASHER	08	08
05	0503010244	7/16" NUT	08	08
06	0511016489	DISTRIBUTOR AXLE CONDUCTOR DISC	01	01
07	0501010536	KEYWAY SQUARE	01	01
08	0502011361	REEL 1C 5.5" X 1.1" PULLEY	01	01
09	0511014052	FLAT WASHER	01	01
10	0503010237	3/8" X 1" BOLT	01	01



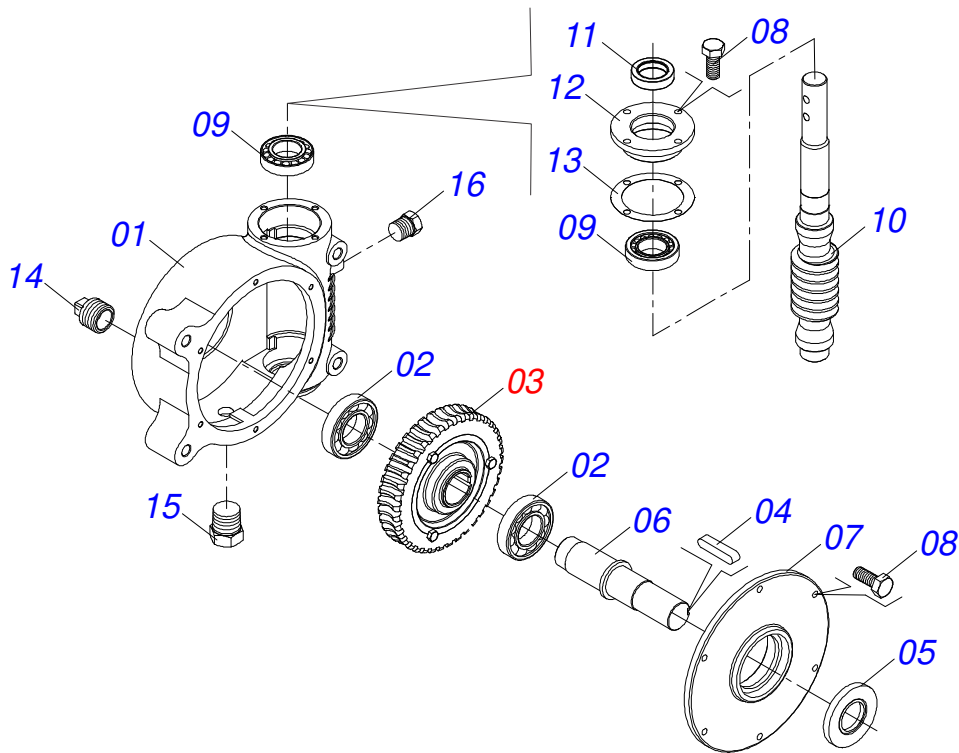
Item	Code	Description	See page	QT
01	0511063411	DISTRIBUTOR DISC		01
02	0531014343	RH FLIP		04
03	0503013029	3/8" X 3/4" BOLT		08
04	0503011443	3/8" SPRING WASHER		08
05	0503010026	3/8" NUT		08



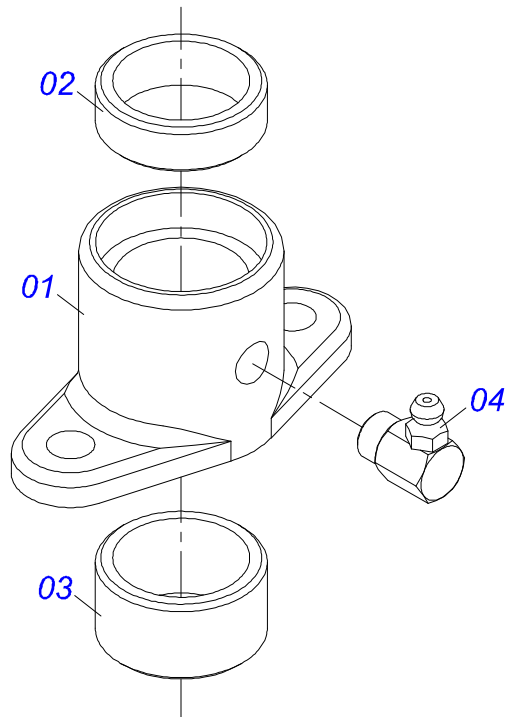
Item	Code	Description	See page	QT
01	0511063411	DISTRIBUTOR DISC		01
02	0531014344	LH FLIP		04
03	0503013029	3/8" X 3/4" BOLT		08
04	0503011443	3/8" SPRING WASHER		08
05	0503010026	3/8" NUT		08



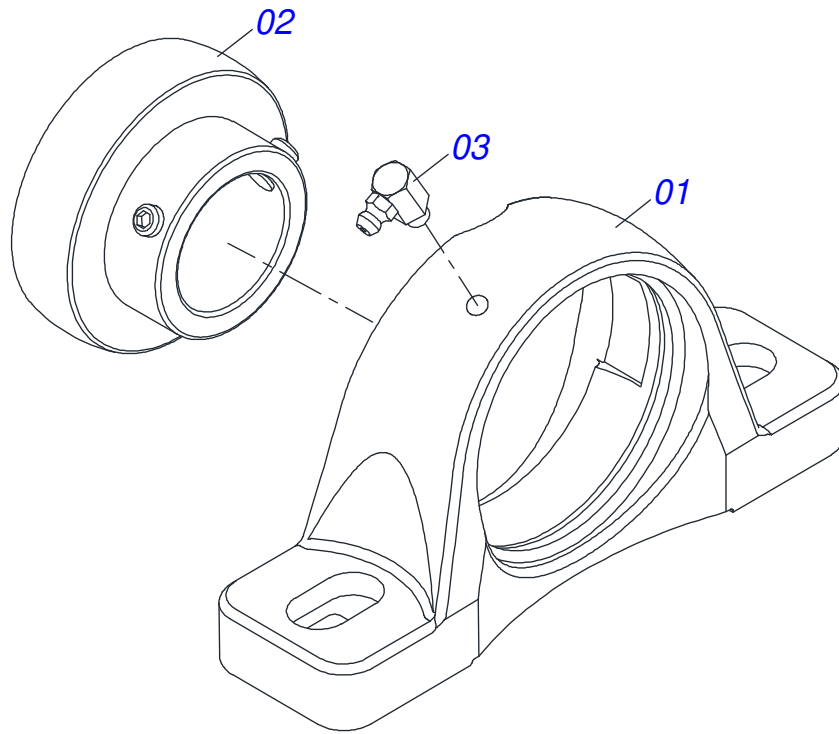
Item	Code	Description	See page	QT
01	0531014326	PULLEY BODY SUPPORT		01
02	0511064818	PULLEY TENSIONER		01
03	0503010013	5/8" NUT		02
04	0511012362	TIGHTENER AXLE PULLEY		01
05	0501019288	WASHER SPACER		02
06	0502011366	REEL 1C 8.3" X 1.6" PULLEY		01
07	0503010690	6204 BALL BEARING		02
08	0521010497	0.8" X 1.1" X 1.1" SPACER		01
09	0503010014	3/4" NUT		01
10	0503010002	1800 GREASE FITTING		01
11	0501012140	FLAT WASHER		01



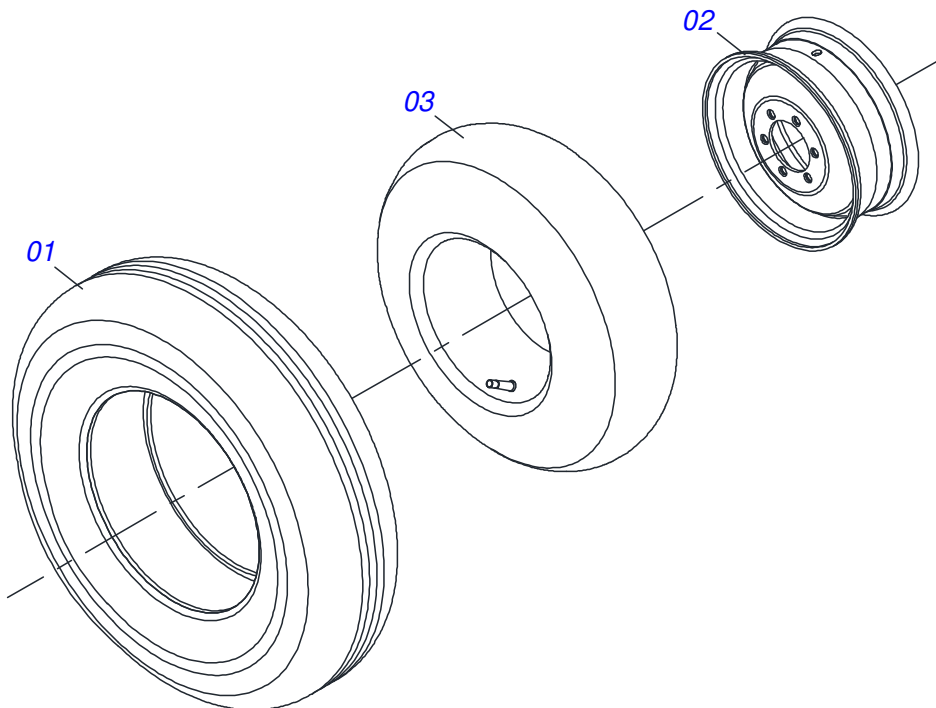
Item	Code	Description	See page	QT
01	0502011456	REDUCTION BOX		01
02	0503011095	6208 BALL BEARING		02
03	0501051774	38Z CROWN		01
04	0503011304	1/2" X 2.4" KEYWAY SQUARE		01
05	0503010818	02675-BRG SEAL		01
06	0521010996	AXLE		01
07	0502020556	LARGER COVER		01
08	0503010240	BOLT		10
09	0503010016	BEARING LM		02
10	0521010997	SCREW THEAD		01
11	0503011171	00912-BRG SEAL		01
12	0502011457	SMALLER COVER		01
13	0503030981	102 X 75,5 X 0,10 JOINT		01
14	0521011023	PLUG		01
15	0503031604	1/2" BSP PLUG		01
16	0503010856	OIL PLUG		01



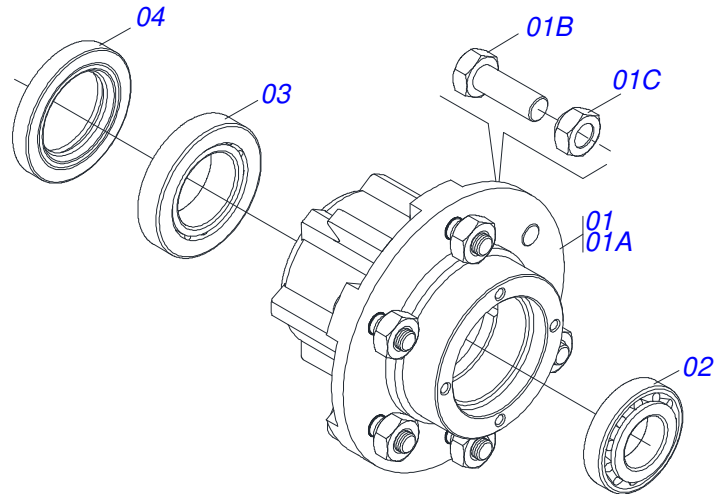
Item	Code	Description	See page	QT
01	0502010581	ROD BEARING		01
02	0521010458	SLEEVE		01
03	0521010457	SLEEVE		01
04	0503010004	1890 GREASE FITTING		01



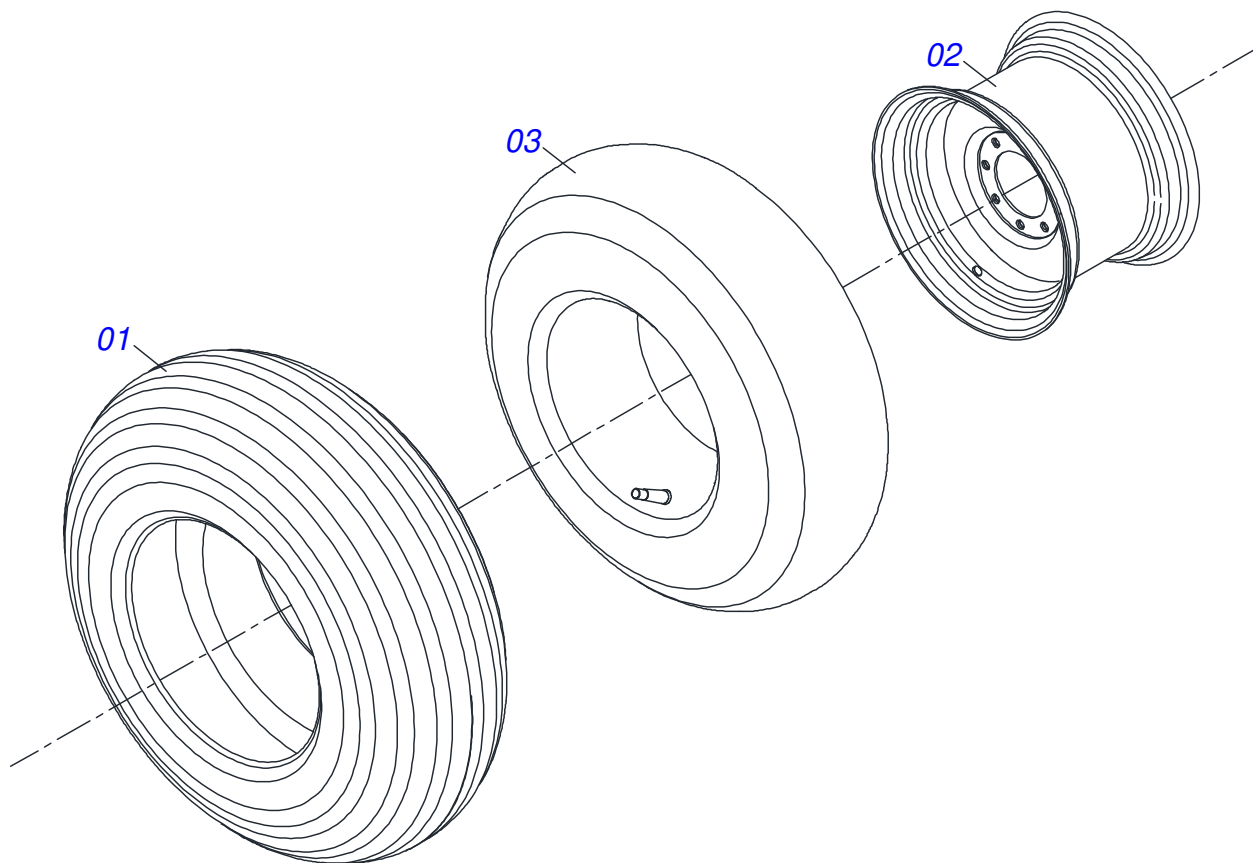
Item	Code	Description	See page	QT
01	0502011050	AGRICULTURAL HOUSING BEARING		01
02	0503011163	1108/UCR BEARING ASSY		01
03	0503010004	1890 GREASE FITTING		01



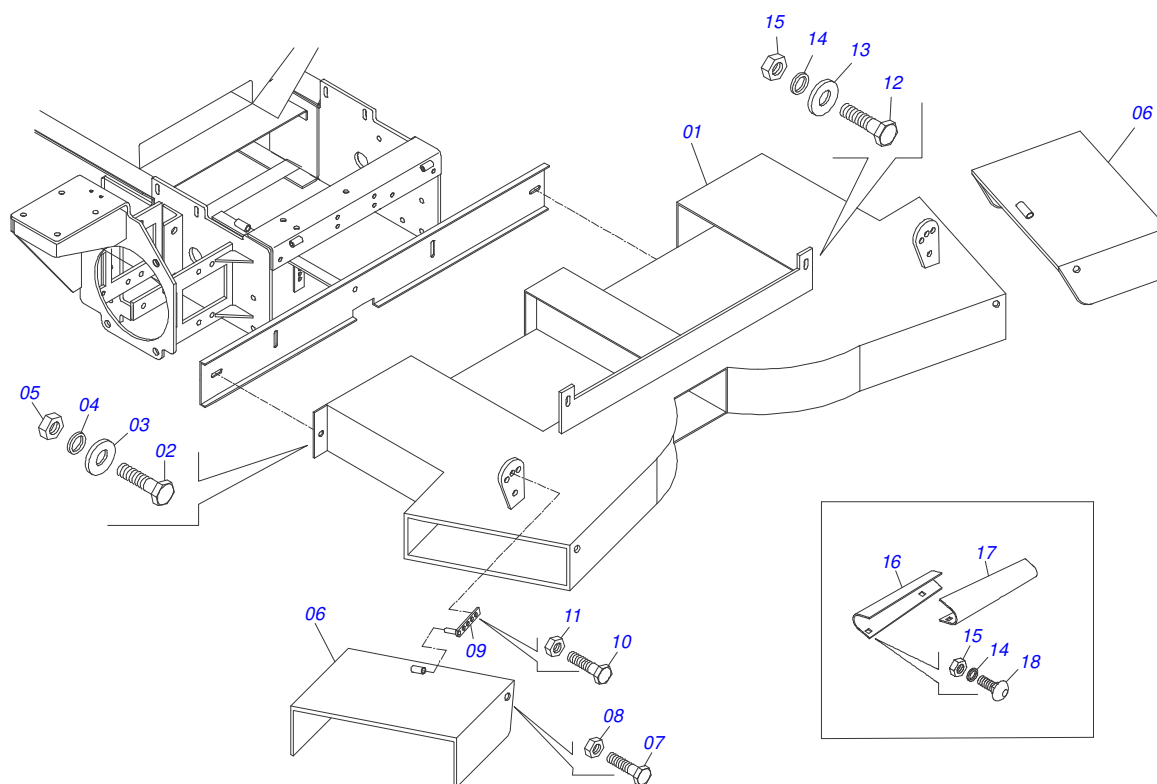
Item	Code	Description	See page	QT
01	0503010120	CANVAS TIRE		01
02	0521062708	WHEEL 5,50 X 16 X 118 X 6F 16,50 X 152,40		01
03	0503010033	7.50 X 16 INNER TIRE		01



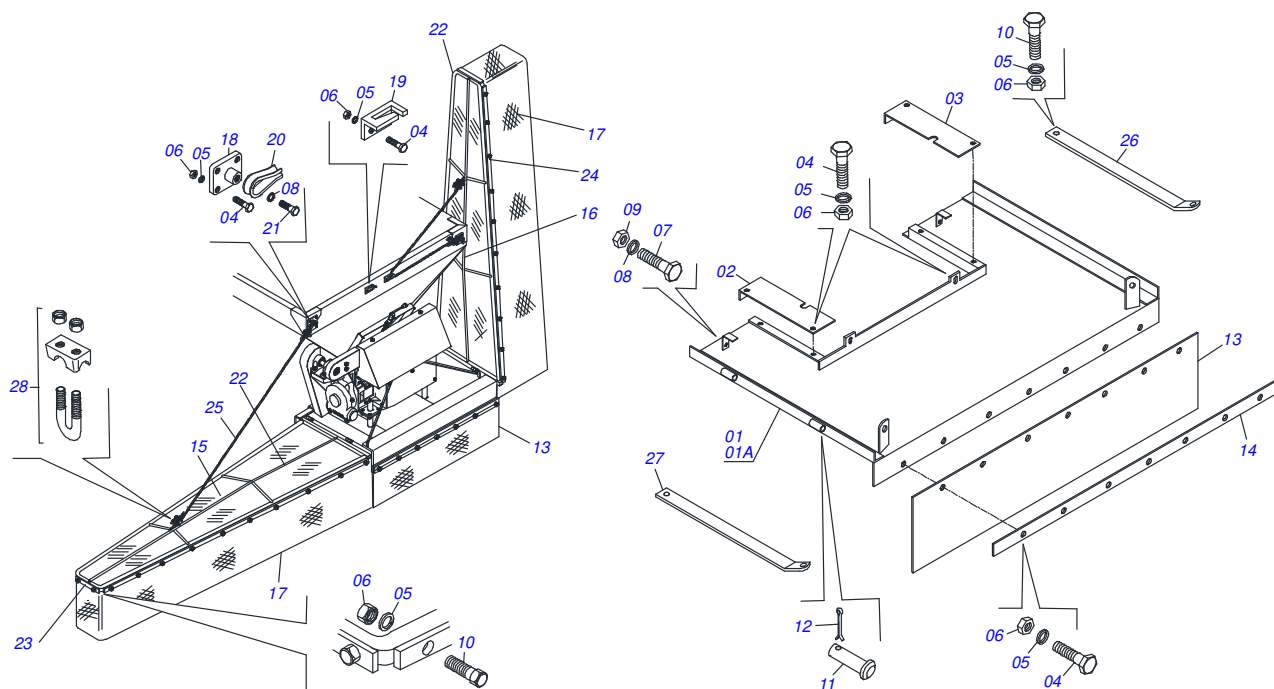
Item	Code	Description	See page	QT
01	0501110728	WHEEL HUB		01
01A	0502011121	CARRYING WHEEL HUB		01
01B	0501010127	9/16" X 1-7/8" LUG BOLT		06
01C	0503010035	9/16" CONIC NUT		06
02	0503010037	30207 ROLLER BEARING		01
03	0503010006	32210 ROLLER BEARING		01
04	0503012928	SEAL		01



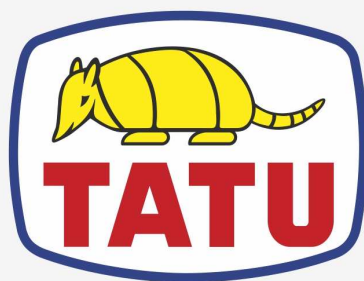
Item	Code	Description	See page	QT
01	0503010858	CANVAS TIRE		01
02	0503011468	WEEL		01
03	0503010860	AIR CHAMBER 11L 15		01



Item	Code	Description	See page	QT
00	0511041267	CONTROLLER DCCO ASSY		01
01	0511064253	CONTROLLER		01
02	0503010395	1/2" X 1-1/4" BOLT		02
03	0511017302	FLAT WASHER		02
04	0503010019	1/2" SPRING WASHER		02
05	0503010060	1/2" NUT		02
06	0511064254	CONTROLLER SPOUT		02
07	0503010240	BOLT		04
08	0503010337	5/16" NUT		04
09	0501067368	DIVISOR REGULATOR OPEN		02
10	0503010751	C3/8" X 1.1/4" HEX BOLT G.5		02
11	0503010026	3/8" NUT		02
12	0503010849	3/8" X 1-1/2" BOLT		02
13	0501010984	FLAT WASHER		02
14	0503010025	3/8" SPRING WASHER		06
15	0503010026	3/8" NUT		06
16	0531019164	RH FLIP SMALLE		04
17	0531019165	LH FLIP SMALLE		04
18	0503010256	3/8" X 3/4" BOLT		16



Item	Code	Description	See page	QT
01	0511040996	DAMPER ASSY DCCO 2500/5500/7500		01
01A	0511063700	DAMPER FRAME CENTER		01
02	0511017104	RIGHT COVER SIDE		01
03	0511017105	LEFT COVER SIDE		01
04	0503010237	3/8" X 1" BOLT		68
05	0503010025	3/8" SPRING WASHER		71
06	0503010026	3/8" NUT		71
07	0501010063	1/2" X 1-1/2" BOLT		02
08	0503010019	1/2" SPRING WASHER		04
09	0503010060	1/2" NUT		02
10	0501010080	3/8" BOLT		04
11	0511013803	PIN		04
12	0503010131	3/16" X 1-1/2" COTTERPIN		04
13	0531017727	64" X 16" X 0.1" REAR PROTECTION		01
14	0531017726	REAR RIBBON FIXER BLANKET		01
15	0501066442	RIGHT WING		01
16	0501066443	LEFT WING		01
17	0511013808	BLANKET RUBBER		02
18	0501066515	STELL SUPPORT CABLO		02
19	0501066514	STELL GUIDE CABLO		02
20	0503011202	BRACKET		04
21	0503010834	1/2 X 1 BOLT		02
22	0511013809	SUPPORT PROTECTION		02
23	0511013806	FIXER CANVAS RIBBON		02
24	0511013793	FIXER SUPPORT CANVAS		04
25	0511013817	STELL CABLE		02
26	0531017784	RIGHT FRENCH HAND		01
27	0531017785	LEFT FRENCH HAND		01
28	0503010165	5/16" CABLO STEEL STAPLE		08



MARCHESAN

Technical Publications | Elaboration and Revision

JOSÉ DOMINGOS GASPARI

www.marchesan.com.br

