

CATÁLOGO DE PEÇAS

PLAINAS DIANTEIRAS

PD NH 7630-4 SHT/BT S-0608

Código: 0501091508



Série: S-0608

Revisão: OUTUBRO/15

PEÇAS ORIGINAIS
TATU

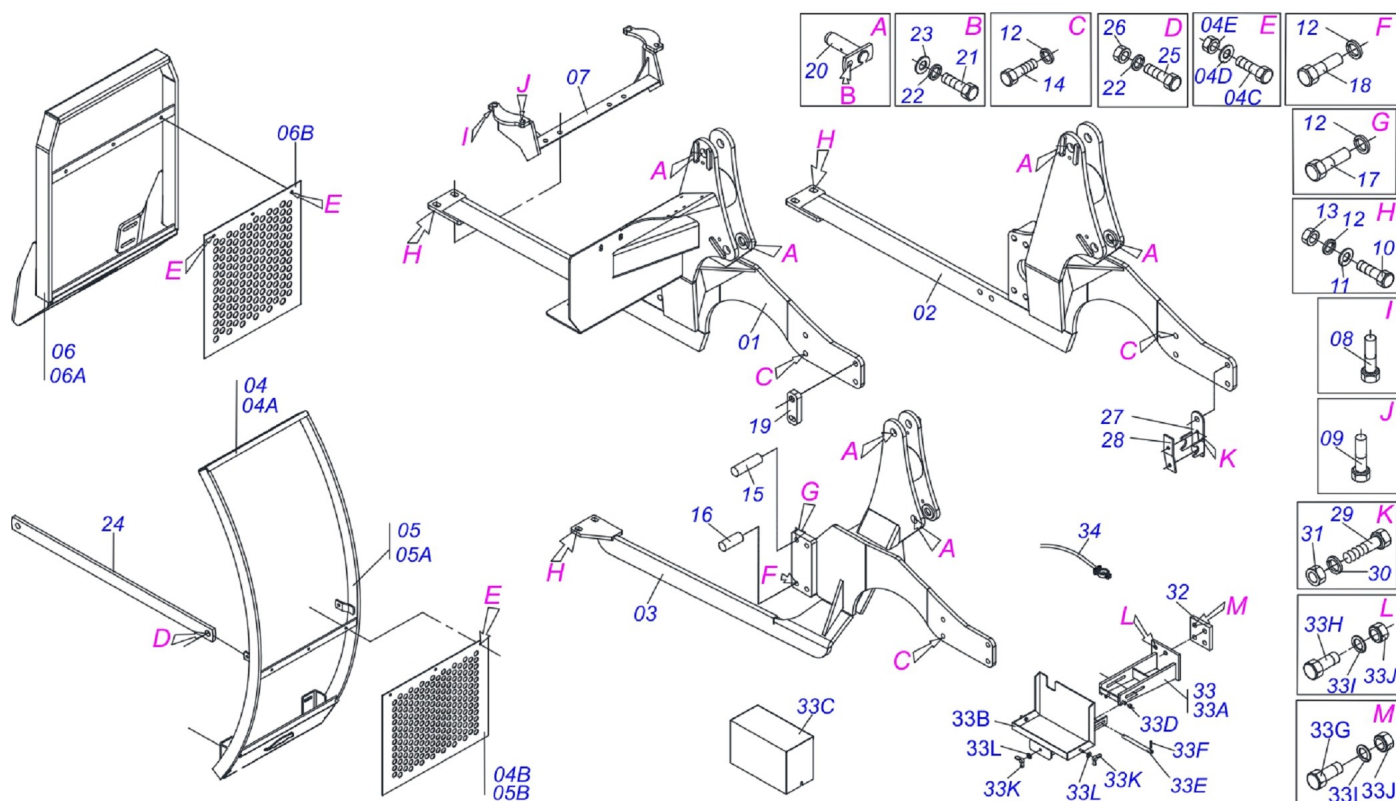


INDICE

0909090770	CHASSI PD NH 7630-4 SHT/BT S-0608	1
0909090779	SUPT.MOVEL FNH 7630-4 SHT/BT S-0608/0603/0398	2
0909090780	CIRC.HIDR.FNH 7630-4 BT	3
0909090781	CIRC.HIDR.PD FNH 7630-4 SHT ATUAL	4
0909090782	CIL.HIDR.50,8X101,6X955X485 DIR./ESQ.	5

ATENÇÃO: IMPORTANTE

A MARCHESAN S.A. RESERVA O DIREITO DE APERFEIÇOAR E/ OU ALTERAR AS CARACTERÍSTICAS TÉCNICAS DE SEUS PRODUTOS, SEM A OBRIGAÇÃO DE ASSIM PROCEDER COM OS JÁ COMERCIALIZADOS E SEM CONHECIMENTO PRÉVIO DA REVENDA OU DO CONSUMIDOR.



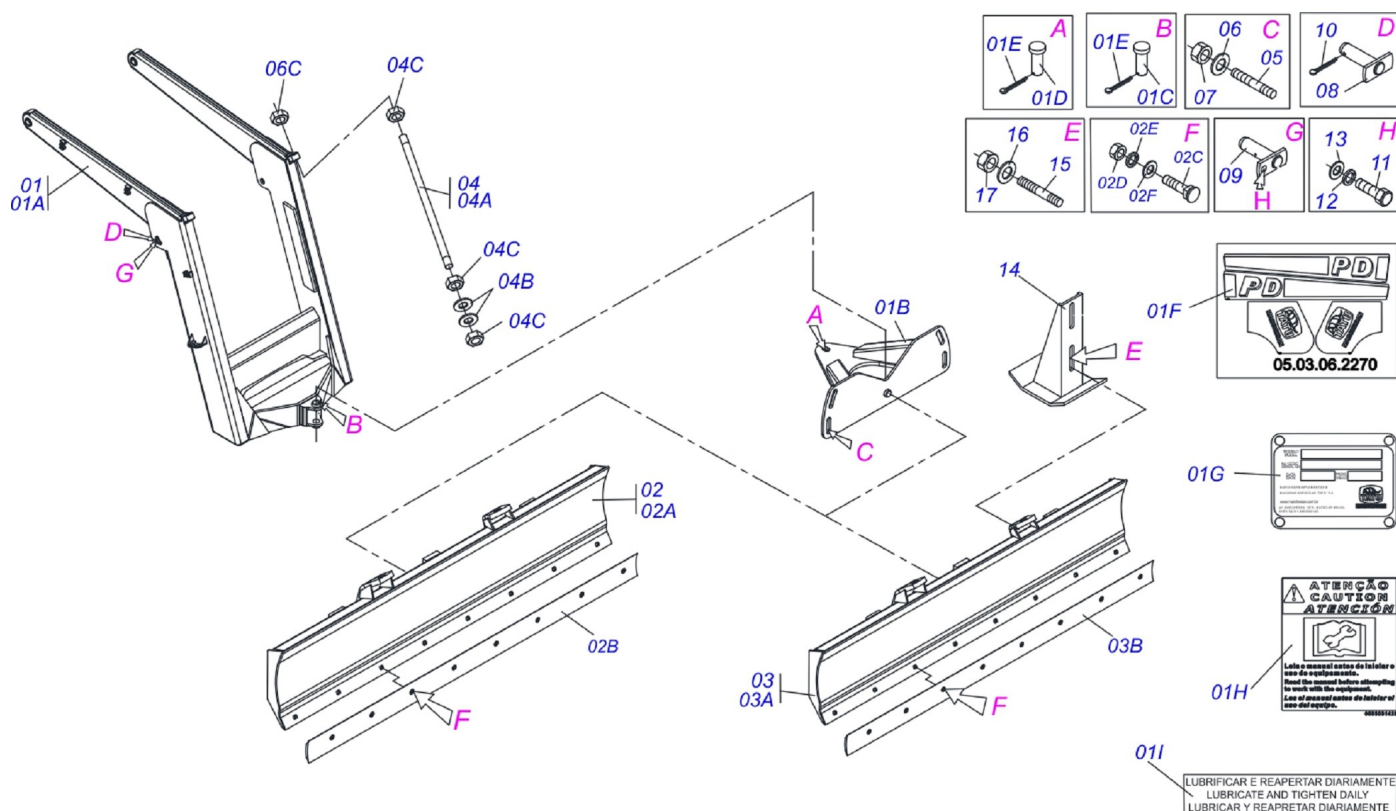
Item	Código	Descrição	QT
01	0521060077	CHASSI DIR PDNH7630/8030-4 SHT S708	01
02	0521060451	CHASSI DIR PD NH7630/8030 BTCD S708	01
03	0521060076	CHASSI ESQ PD NH 7630/8030-4 S-0708	01
04	0511049956	GUIA SUPORTE MOVEL ALTA S-0112	01
04A	0521062696	GUIA SUPORTE MOVEL 773	01
04B	0501017431	TELA 700 X 755	01
04C	0503010751	PARAF 3/8 UNC X 1.1/4 C S G.5 ZN	06
04D	0501010984	ARRUELA LISA 10,50 X 27 X 3,00 ZN	06
04E	0503010026	PORCA 3/8 NC S ZN 1K03048	06
05	0501041796	GUIA SUPT MOV ALTA COMP8060-4/880-4	01
05A	0501063133	GUIA SUPT MOVEL V 880/980-4	01
05B	0501014687	TELA 700 X 790	01
06	0511046439	GUIA SUPT MOV BAIXA PD COMPL S-1107	01
06A	0511069391	GUIA SUPT MOVEL PD VTR BM 100-4	01
06B	0501014687	TELA 700 X 790	01
07	0521060106	SUPT FIX CHASSI PD/PCA NH6020/6040	01
08	0501010064	PARAF 1 UNC X 9 C S G.5 ZN	02
09	0501010066	PARAF 3/4 UNC X 9 C S G.5 ZN	04
10	0501010125	PARAF 3/4 UNC X 2.1/2 C S G.5 ZN	04
11	0501010322	ARRUELA LISA 20,50 X 46 X 4,75 ZN	08
12	0503010023	ARRUELA PRESSAO 3/4 ZN 1K01584	18
13	0503010014	PORCA 3/4 NC S ZN	04
14	0503013112	PARAF M20 X 2,5 X 70 C S 10.9 ZN	08
15	0561010487	LUVA 22,23 X 44,45 X 137	02
16	0561010578	LUVA 22,23 X 44,45 X 45	02
17	0503015049	PARAF M20 X 2,5 X 190 C S 10.9 ZN	02
18	0503013090	PARAF M20 X 2,5 X 100 C S 10.9 ZN	02
19	0561010484	CALCO BARRA CHASSI LAT	04
20	0501063751	EIXO ARTIC C/TRAV 37,2X140P/GRAX SA	04
21	0503010962	PARAF 5/8 UNC X 1.1/4 C S G.5 ZN	04
22	0503010027	ARRUELA PRESSAO 5/8 ZN 1K01574	08
23	0501012140	ARRUELA LISA 16,50 X 40 X 4,75 ZN	04
24	0511013560	MAO FRANC PD-V 785-4	02



PD NH 7630-4 SHT/BT S-0608
CHASSI PD NH 7630-4 SHT/BT S-0608

Página 1
0909090770

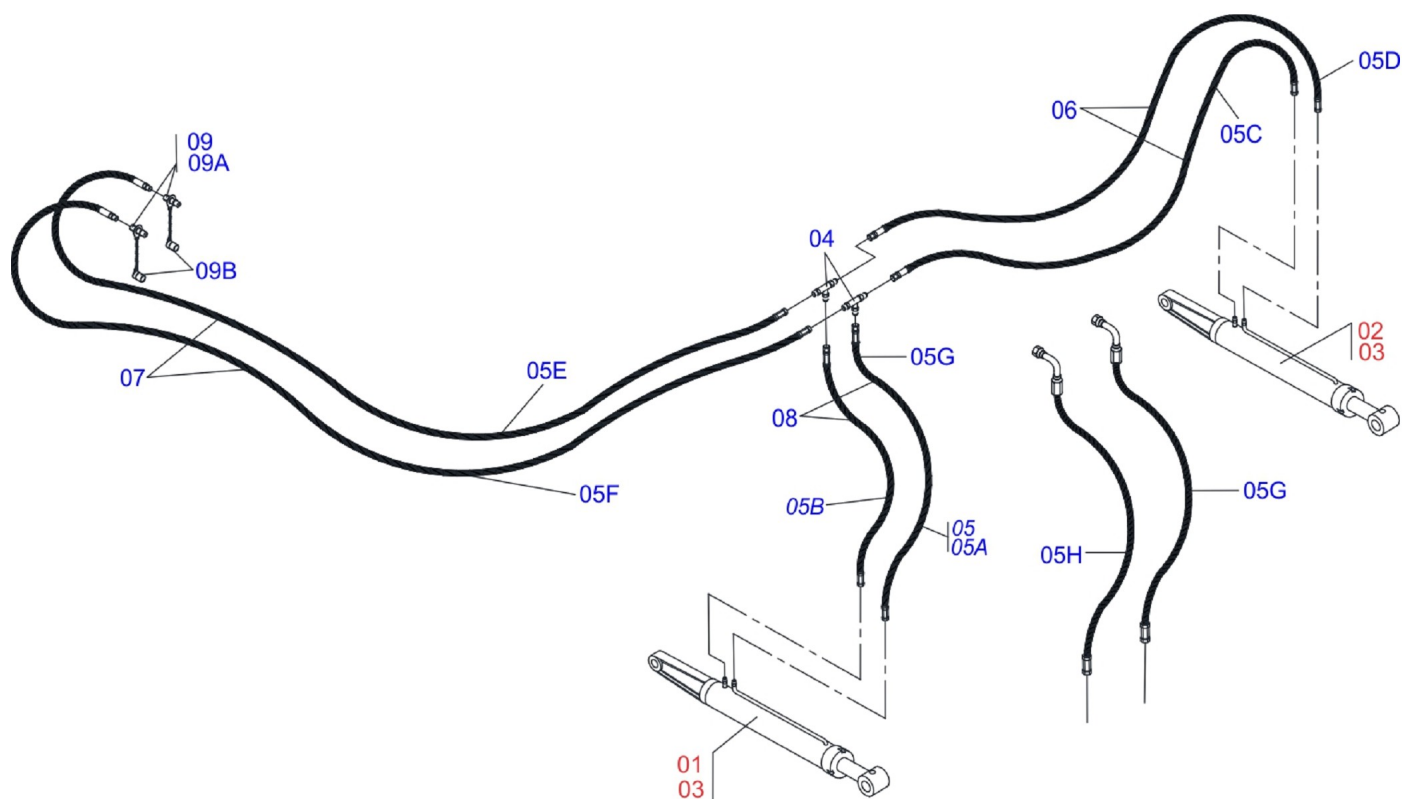
Item	Código	Descrição	QT
25	0501010100	PARAF 5/8 UNC X 2 C S G.5 ZN	04
26	0503010013	PORCA 5/8 NC ZN 1K03087	04
27	0561010483	FIX DUTO SUCCAO NH 7630/8030-4 S708	01
28	0551017249	PLACA FIXD DUTO SUCÇÃO PD NH 7630-4	01
29	0503012720	PARAF 1/4 UNC X 3 CS G.5 ZN	02
30	0503010143	ARRUELA PRESSAO 1/4 ZN 1K01518	02
31	0503010144	PORCA 1/4 NC ZN 1K03000	02
32	0551019176	FIXD CX BATERIA NH 7630-4 S1107	01
33	0511044960	CX BATERIA NH TS 100/110-4 S-0604	01
33A	0511067446	BASE FIX CX BATERIA NH TS100	01
33B	0511067447	BASE MOVEL CX BATERIA NH TS100	01
33C	0511067492	TAMPA CX BATERIA NH TS 100/110-4	01
33D	0551010490	LUVA NH TS 100/110-4	02
33E	0551010491	EIXO CX BATERIA NH TS 100/110-4	01
33F	0503010571	CONTRAPINO 1/4 X 1.1/2	04
33G	0501011544	PARAF 3/4 UNC X 1.1/2 C S G.5 ZN	02
33H	0501010098	PARAF 3/4 UNC X 2 C S G.5 ZN	02
33I	0503010023	ARRUELA PRESSAO 3/4 ZN 1K01584	02
33J	0503010014	PORCA 3/4 NC S ZN	02
33K	0503010209	PORCA BORBOLETA 3/8 NC SA	03
33L	0503010025	ARRUELA PRESSAO 3/8 ZN 1K01527	03
34	0503014889	CABO BATER 600 TERM NEG 7630-4S1107	01



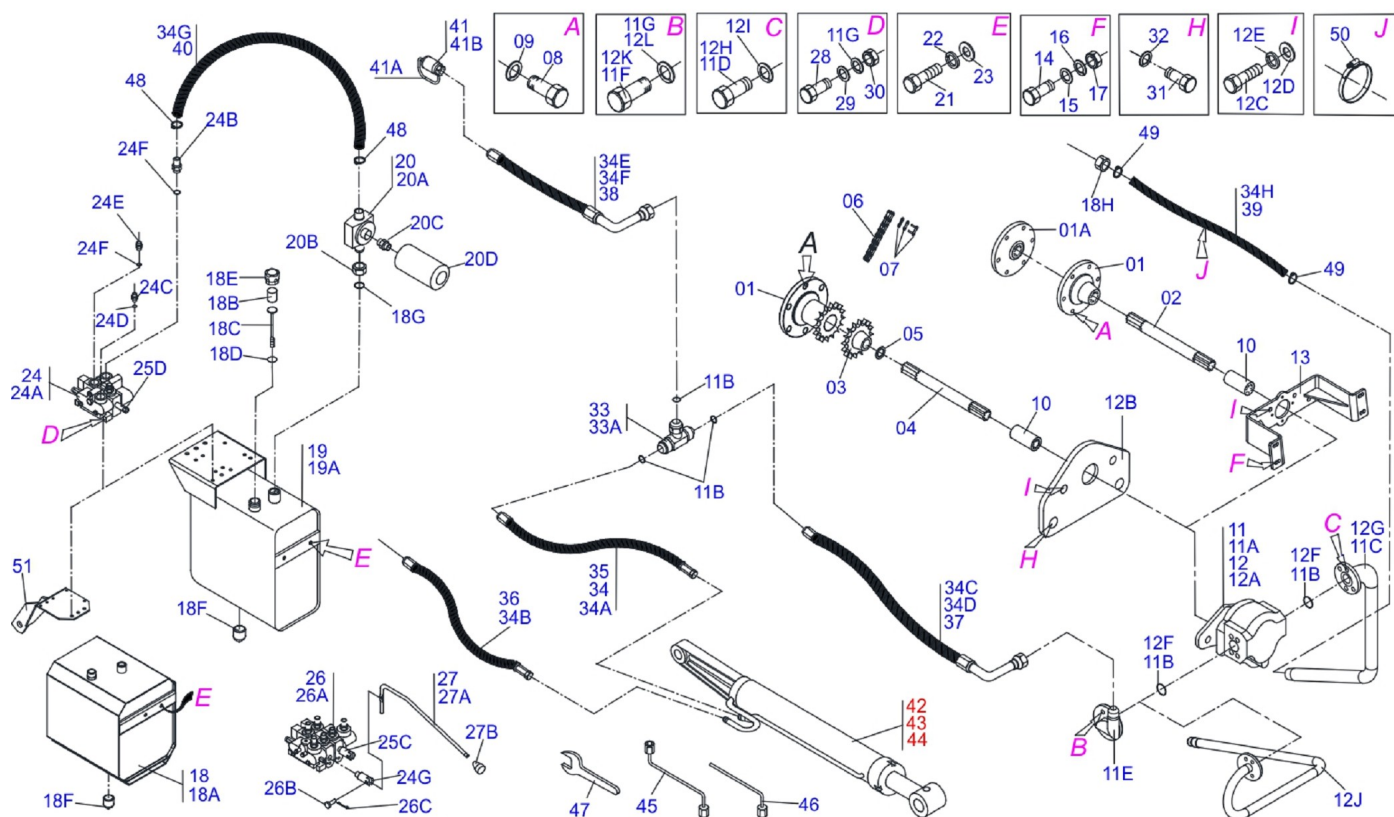
Item	Código	Descrição	S608-603-398
00	0909090779	SUPT.MOVEL FNH 7630-4 SHT/BT S-0608/0603/0398	01 01 01
01	0501044604	SUPT MOV COMPL PD 1580-4	01 00 00
01.	0501042513	SUPT MOV COMPL PD S-1188 MF 290-4	00 01 01
01A	0521063348	SUPORTE MOVEL PD VTR 1780-4	01 00 00
01A.	0501063701	SUPT MOVEL F6610-4/MF290-4/8440-4	00 01 01
01B	0501062637	SUPT REGD 5/8 PD 2600	01 01 01
01C	0521010618	EIXO JUNCAO 37,50 X 220 V 880-4 ZN	01 01 01
01D	0521010612	EIXO JUNCAO 37,50 X 100 PAM 900 ZN	01 01 01
01E	0503010010	CONTRAPINO 1/4 X 2.1/2	02 02 02
01F	0503062270	CONJ ETIQ AD PD 2014	01 01 01
01G	0503034003	ETIQ IDENT ALUMIN MARCHESAN 61X118	01 01 01
01H	0503031428	ETIQ ADES ATENCAO LER MANUAL	01 01 01
01I	0503031827	ETIQ ADES LUBR E REAP DIAR P	01 01 01
02	0501047708	PORTA RASP 2400 S/SAPATA	00 01 01
02A	0501067999	PORTA RASPADOR 2390 C/FIX P/VARAO	00 01 01
02B	0622360016	RASPADOR REV 2400 PD	01 01 01
02C	0501012240	PARAF 5/8 UNC X 2.1/2 CEPQ G.5 ZN	01 08 08
02D	0503010013	PORCA 5/8 NC ZN 1K03087	01 08 08
02E	0503010027	ARRUELA PRESSAO 5/8 ZN 1K01574	01 08 08
02F	0501012140	ARRUELA LISA 16,50 X 40 X 4,75 ZN	01 08 08
03	0501047710	PORTA RASP 2600 C/FIX P/VARAO P/PD	01 00 00
03A	0501068001	PORTA RASPADOR 2590 C/FIX P/VARAO	01 00 00
03B	0622360011	RASPADOR REV 2600	01 00 00
04	0501041427	VARAO 1.1/4 NC X 1540 COMPL	02 00 00
04.	0501041856	VARAO 1.1/4 NC X 1430 COMPL	00 02 02
04A	0501014250	VARAO 1.1/4 X 1540	02 00 00
04A.	0501014855	VARAO 1.1/4 X 1430	02 00 00
04B	0502012180	ARRUELA CONICA PD	04 04 04
04C	0501010087	PORCA 1.1/4 UNC 7FPP (SEXT.2) ZN	08 08 08
05	0561016755	PRISION 1 UNC X 1 UNC X 76 ZN	04 04 04
06	0501010574	ARRUELA LISA 27 X 100 X 6,30 ZN	04 04 04
07	0501010059	PORCA 1 NC SEXT 1.5/8 ZN	04 04 04
08	0521063355	EIXO JUNCAO 37,20 X 101 PD	02 00 00



Item	Código	Descrição	S608-603-398		
09	0501063958	EIXO ARTIC C/TRAV 37,2X110S/GRAX SA	00	02	02
10	0503010534	CONTRAPINO 3/8 X 2.1/2 ZN 1G13300	02	00	00
11	0503010962	PARAF 5/8 UNC X 1.1/4 C S G.5 ZN	00	02	02
12	0503010027	ARRUELA PRESSAO 5/8 ZN 1K01574	00	02	02
13	0501012140	ARRUELA LISA 16,50 X 40 X 4,75 ZN	00	02	02
14	0501063411	SAPATA ESTAB	02	02	02
15	0561016756	PRISION 3/4 UNC X 3/4 UNC X 56 ZN	04	04	04
16	0501010322	ARRUELA LISA 20,50 X 46 X 4,75 ZN	04	04	04
17	0503010014	PORCA 3/4 NC S ZN	04	04	04



Item	Código	Descrição	S-0608/603/398		
01	0501041381	CIL H 50,8 X 101,6 X 955 X 485 DIR.	00	01	01
02	0501041382	CIL H 50,8 X 101,6 X 955 X 485 ESQ	00	01	01
03	0511047395	CIL H 50,8 X 101,6 X 1028 X 472	02	00	00
04	0503012341	ADAPT T 7/8 UNF X PORCA GIRAT LAT	02	00	00
04.	0501068942	CONEXAO T C/NIPLES 7/8 BX 4.110	00	02	02
05	0501058823	JOGO MANG PD NH 7630/8030-4 BT CD	01	00	00
05A	0501080030	MANG 1/2 X 1350 TR-TC	01	00	00
05B	0501080094	MANG 1/2 X 1800 TR-TC	01	00	00
05C	0501081414	MANG 1/2 X 2250 TC-TC	01	00	00
05D	0501080272	MANG 1/2 X 2700 TR-TC	01	00	00
05E	0501080246	MANG 1/2 X 2600 TR-TM	02	00	00
05F	0501080328	MANG 3/8 X 750 TR-TC	01	00	00
05G	0501080717	MANG 3/8 X 2500 TC-TC	01	00	00
05H	0501080401	MANG 3/8 X 2700 TR-TC	01	00	00
06	0501080197	MANG 1/2 X 1150 TR-TR	00	02	02
07	0501080135	MANG 1/2 X 1800 TR-TR	00	02	02
08	0501080282	MANG 1/2 X 1900 TR-TC 1G136743	00	02	02
09	0501053834	MACHO ENG RAP AGR 1/2 NPT C/TAMPA	02	02	02
09A	0503011627	MACHO ENG RAP AGR 1/2 NPT	02	02	02
09B	0503011882	TAMPA PLASTICA P/ ENG RAP MACHO	02	02	02



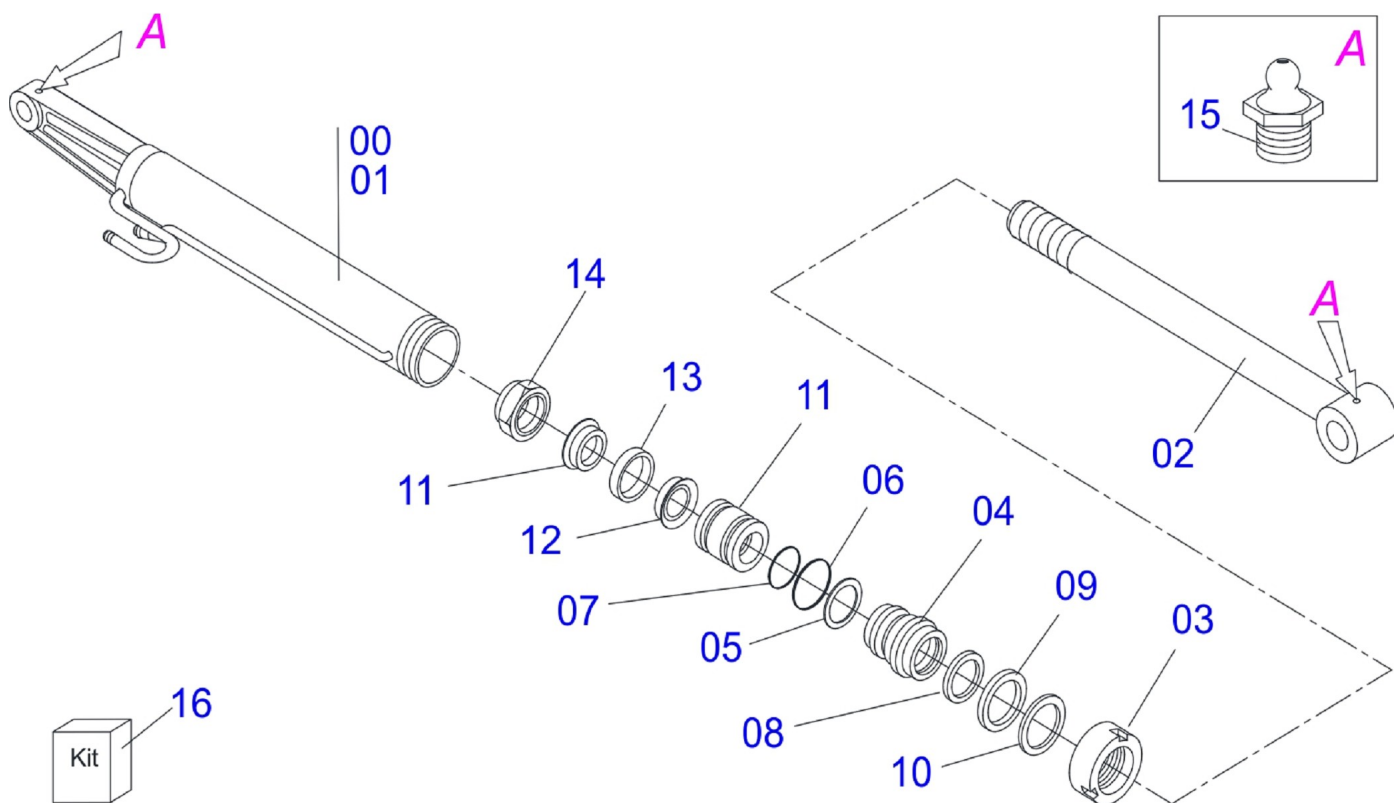
Item	Código	Descrição	608/603/398 SERIES
01	0503050056	FLANGE ACOPL 117,50 X 45 ESTR 1.1/8	01 00 00
01.	0503050061	FLANGE C/RODA DENT 16Z P5/8 F-5030	00 01 01
01A	0551019179	ADAPTAD FLANGE NH7630-4 S1107	01 00 00
02	0501058245	EIXO 527X1.1/8 ESTX1.1/8-30G C/ANEL	01 00 00
03	0503050075	ENGR 16Z P 15,88 (5/8) PD F 6600	00 01 01
04	0501057538	EIXO 280 X7/8 UNC X1.1/8-30G C/ANEL	00 01 01
05	0501010890	ARRUELA ENC ZN	00 01 01
06	0503010455	CORR 50-2 X 15 ELOS+EM	00 01 01
07	0503010560	EMENDA COMUM C/TRAVA 50-2	00 01 01
08	0503010729	PARAF M10 X 1,5 X 25 C C S I 12.9	06 06 06
09	0503010180	ARRUELA PRESSAO 7/16 ZN 1K01546	06 06 06
10	0503030838	LUVA ACOPL 1.1/8 X 61 ESTR	01 01 01
11	0511047396	BOMBA COMPL C/DUTO NH 7630/8030	01 00 00
11A	0503061770	BOMBA B31 SAE B 2P 12Z MARRUCCI	01 01 01
11B	0503010173	ANEL O RING 2-220 N 3006-9B	02 00 00
11C	0521060103	DUTO SUCCAO BOMBA PD NH8030-4	01 00 00
11D	0503010355	PARAF 7/16 UNC X 1 C S G.2 ZN	04 00 00
11E	0501069661	DUTO PRESSAO BOMBA PD/PCA MF275MBTL	01 00 00
11F	0503010237	PARAF 3/8 UNC X 1 C S G.5 ZN	04 00 00
11G	0503010025	ARRUELA PRESSAO 3/8 ZN 1K01527	07 07 07
12	0501044573	BOMBA COMPL C/DUTOS SUPT F5600/6630	00 01 01
12A	0503061770	BOMBA B31 SAE B 2P 12Z MARRUCCI	00 01 01
12B	0502020097	SUPT BOMBA PD FORD	00 01 01
12C	0503010920	PARAF 1/2 UNC X 1.1/2 C S G.5 ZN	00 02 02
12D	0511017302	ARRUELA LISA 13,50 X 32,50 X 3,0 ZN	00 02 02
12E	0503010019	ARRUELA PRESSAO 1/2 ZN 1K01556	00 02 02
12F	0503010173	ANEL O RING 2-220 N 3006-9B	00 02 02
12G	0501062490	DUTO SUCCAO BOMBA F 5600/6600/6610	00 01 01
12H	0503010355	PARAF 7/16 UNC X 1 C S G.2 ZN	00 04 04
12I	0503010180	ARRUELA PRESSAO 7/16 ZN 1K01546	00 04 04
12J	0501062491	DUTO PRES BOMBA SHT	00 01 01
12K	0503010237	PARAF 3/8 UNC X 1 C S G.5 ZN	00 04 04
12L	0503010025	ARRUELA PRESSAO 3/8 ZN 1K01527	00 04 04



Item	Código	Descrição	608/603/398 SERIES
12M	0503030388	PLUG CILINDRICO N-005	00 01 01
13	0521060078	SUPT BOMBA GUIA SUPT MOV NH 7630-4	01 00 00
14	0501010100	PARAF 5/8 UNC X 2 C S G.5 ZN	04 00 00
15	0503010027	ARRUELA PRESSAO 5/8 ZN 1K01574	04 00 00
16	0501012140	ARRUELA LISA 16,50 X 40 X 4,75 ZN	04 00 00
17	0503010013	PORCA 5/8 NC ZN 1K03087	04 00 00
18	0501049879	RESERVATORIO OLEO COMPL PD TM 120-4	01 00 00
18A	0511063248	RESERVATORIO OLEO NH TM 120-4	01 00 00
18B	0503030044	ELEM FILTRANTE AR	01 01 01
18C	0501060975	MEDIDOR OLEO 155 PD CBT,V,MF,FORD	01 01 01
18D	0503010185	ANEL O RING 2-221 N 3006-9B	01 01 01
18E	0502020472	CORPO TAMP A TANQUE	01 01 01
18F	0503031604	BUJAO 1/2 BSP X 17	01 01 01
18G	0503010046	ANEL O RING 2-216 N 3006-9B	01 01 01
18H	0501016309	PORCA R2 UNC 16 FPP X SEXT 2.5/16	01 01 01
19	0501047808	RESERVATORIO OLEO COMPL PD-MF 290	00 01 01
19A	0501068882	RESERVATORIO OLEO PD-MF 290	00 01 01
20	0501041108	FILTRO RETORNO MAIOR COMPL	01 01 01
20A	0502050002	CABCT FILTRO RETORNO	01 01 01
20B	0501010594	PORCA 1 BSP S 1.5/8 ZN	01 01 01
20C	0501010595	NIPLE 1 NF SEXT.1.1/8 X 37	01 01 01
20D	0503010183	FILTRO RETORNO TF PS-012H (HIB5802)	01 01 01
21	0501010161	PARAF 1/2 UNC X 1.1/4 C S G.2 ZN	04 04 04
22	0503010019	ARRUELA PRESSAO 1/2 ZN 1K01556	04 04 04
23	0511017302	ARRUELA LISA 13,50 X 32,50 X 3,0 ZN	04 04 04
24	0501040871	COM SIMPL 1/2" COMPL RAC	01 01 01
24A	0503060080	COM SIMPL 1/2"	01 01 01
24B	0501010591	BICO P/MANG 1R1.1/16UN SET.1.1/4X74	01 01 01
24B.	0501010591	BICO P/MANG 1R1.1/16UN SET.1.1/4X74	01 00 00
24C	0501010589	NIPLE R. 1.1/16UN SEXT 1.1/4 X 52	01 01 01
24C.	0501010589	NIPLE R. 1.1/16UN SEXT 1.1/4 X 52	01 00 00
24D	0503010602	ANEL O RING 2-211 N 3006-9B	02 02 02
24E	0501010590	NIPLE R 7/8 NF SEXT 1 X 48 1G21300	02 02 02
24E.	0501010590	NIPLE R 7/8 NF SEXT 1 X 48 1G21300	04 00 00
24F	0503010045	ANEL O RING 2-116 N 3006-9B 1G05420	02 02 02
24F.	0503010045	ANEL O RING 2-116 N 3006-9B 1G05420	04 00 00
24G	0503030347	FIXD SUP ALAV M8 X 1,25 X 45 COM1/2	01 01 01
25	0511046500	CD 1/2 C/FIXD ALAV COMPL SAUER SHT	01 00 00
25A	0503060016	COM DUPLO 1/2"	01 00 00
25B	0503011109	ANEL O RING 2-119 N 3006 9B	02 00 00
25C	0503030387	PLUG CILINDRICO N-004	04 00 00
25D	0503030388	PLUG CILINDRICO N-005	01 00 00
26	0501059952	COM DUPLO 1/2 HIDROV/DANFOSS COMP	00 01 01
26A	0503060016	COM DUPLO 1/2"	00 01 01
26B	0521010533	EIXO JUNCAO 7,85 X 25 ZN	00 02 02
26C	0503010140	CONTRAPINO 1/8 X 3/4	00 02 02
27	0501047852	ACIOND COM COMPL PD V 118 SHT	01 01 01
27A	0501069069	ACIOND COM V 985-4/AX 4.75	01 01 01
27B	0503030878	MANIPULO ALAVANCA	01 01 01
28	0501010080	PAR SEXT NC 3/8X1 1/2 G2 ZN 1K04470	03 03 03
29	0501010984	ARRUELA LISA 10,50 X 27 X 3,00 ZN	03 03 03
30	0503010026	PORCA 3/8 NC S ZN 1K03048	03 03 03
31	0503013111	PARAF M20 X 2,5 X 65 C S 10.9 ZN	00 02 02
32	0503010023	ARRUELA PRESSAO 3/4 ZN 1K01584	00 02 02
33	0503013493	CONEXAO T MACHO 7/8 UNF JIC 1G87080	02 00 00
33A	0501068942	CONEXAO T C/NIPLES 7/8 BX 4.110	00 02 02
34	0501058589	JOGO MANG PD NH 7630-4 SHT CD	02 00 00
34A	0501080014	MANG 1/2 X 1000 TR-TR	02 00 00
34B	0501080010	MANG 1/2 X 1000 TR-TC	01 00 00
34C	0501080052	MANG 1/2 X 1600 TR-TR	01 00 00
34D	0501080628	MANG 1/2 X 1900 TC-TC	01 00 00
34E	0501081041	MANG 1/2 X 2400 TR-TC	01 00 00



Item	Código	Descrição	608/603/398 SERIES
34F	0501080110	MANG 1/2 X 3100 TR-TM	02 00 00
34G	0561010501	MANG 1.1/4 X 1800 AB-AB	01 00 00
34H	0501018913	MANG 1 X 900 AB-AB	01 00 00
34I	0501081321	MANG 3/4 X 2600 TR-TC	01 00 00
35	0501080120	MANG 1/2 X 400 TR-TR	00 01 01
36	0501080109	MANG 1/2 X 800 TR-TR	00 04 04
37	0501080030	MANG 1/2 X 1350 TR-TC	00 02 02
38	0501080347	MANG 3/4 X 1800 TR-TR	00 01 01
39	0501013822	MANG 1 X 650 AB-AB	00 01 01
40	0501014648	MANG 1.1/4 X 1150 AB-AB	00 01 01
41	0501053835	FEMEA ENG RAP AGR 1/2 NPT C/TAMPA	02 02 02
41A	0503011883	TAMPA PLASTICA P/ ENG RAP FEMEA	02 02 02
41B	0503011628	FEMEA ENG RAP AGR 1/2 NPT (A/E/N)	02 02 02
42	0511047395	CIL H 50,8 X 101,6 X 1028 X 472	02 00 00
43	0501041381	CIL H 50,8 X 101,6 X 955 X 485 DIR.	00 01 01
44	0501041382	CIL H 50,8 X 101,6 X 955 X 485 ESQ	00 01 01
45	0501068213	CHAVE DUPLA 5/8 X 3/4 CABO CIL PD	01 01 01
46	0501061617	CHAVE 1 CABO CIL SEXT 1.5/8 GACR	01 01 01
47	0511010153	CHAVE FIXA 2.5/16	01 01 01
48	0503010184	ABRAC 1.1/4 A 1.1/2 25A38 LARG. 9MM	02 02 02
49	0503010243	ABRAC 1.1/2 A 2 38-51 LARG. 9MM 1G	04 04 04
50	0503010246	ABRAC 2 A 2.1/2 51-64 LARG. 9MM	01 00 00
51	0521060079	SUPT COM VTR BM 110/125I	01 00 00



Item	Código	Descrição	QT
00	0501041381	CIL H 50,8 X 101,6 X 955 X 485 DIR.	01
00.	0501041382	CIL H 50,8 X 101,6 X 955 X 485 ESQ	01
01	0501063660	CAMISA 101,6 X 603 DIR	01
01.	0501063661	CAMISA 101,6 X 603 ESQ	01
02	0501063968	EXTENSOR 50,80 X 680	01
03	0502010017	TAMPA MOVEL 101,6	01
04	0502010778	SUPT ANEIS 50,8 X 101,6	01
05	0503010039	ANEL RASPD D-2000 1G24231	01
06	0503010991	GAXETA 1870-2000-375-B 1G17225	01
07	0503010338	ANEL O RING 2-342 N 3006-9B 1G04619	01
08	0503011061	ANEL BACK-UP 8-342 1G31076	01
09	0503010952	ANEL G.I.2 X3X1/2 W2-2250-500 PK	01
10	0503010345	ANEL O RING 2-218 N 3006-9B 1G04609	01
11	0502010992	EMBOLO 50,8 X 101,6	01
12	0503010043	GAXETA 3750-3250 B	02
13	0503010994	ANEL G.E.4 X 3 X 1/2 W2-4000-500 PK	01
14	0503010817	PORCA AUTOFREN 1.1/4 NF ALTA	01
15	0503010002	GRAXEIRA 1800	02
16	0503030387	PLUG CILINDRICO N-004	02

ANOTAÇÕES

Lined area for notes with 25 horizontal lines.

PEÇAS ORIGINAIS
TATU



MARCHESAN



MARCHESAN IMPLEMENTOS E MÁQUINAS AGRÍCOLAS TATU S.A.

AV. Marchesan, 1979 - Cx. Postal, 131 - CEP 15994-900 - Matão - SP - Brasil

FONE: (16) 3382-8282

(FAX Vendas): +55 16.3382-8297 - (FAX Exportação) + 55 16.3382.1003

e.mail: tatu@marchesan.com.br

Home Page: www.marchesan.com.br

*Elaboração e Ilustração = GASPARI
e.mail = jgaspari@marchesan.com.br*

**PEÇAS ORIGINAIS
TATU**

