

PARTS CATALOG

FRONT LOADER

PD NH 7630-4 SHT/BT S-0608

Code: 0501091508



Series: S-0608

Review: OUTUBRO/15

ORIGINAL PARTS
TATU

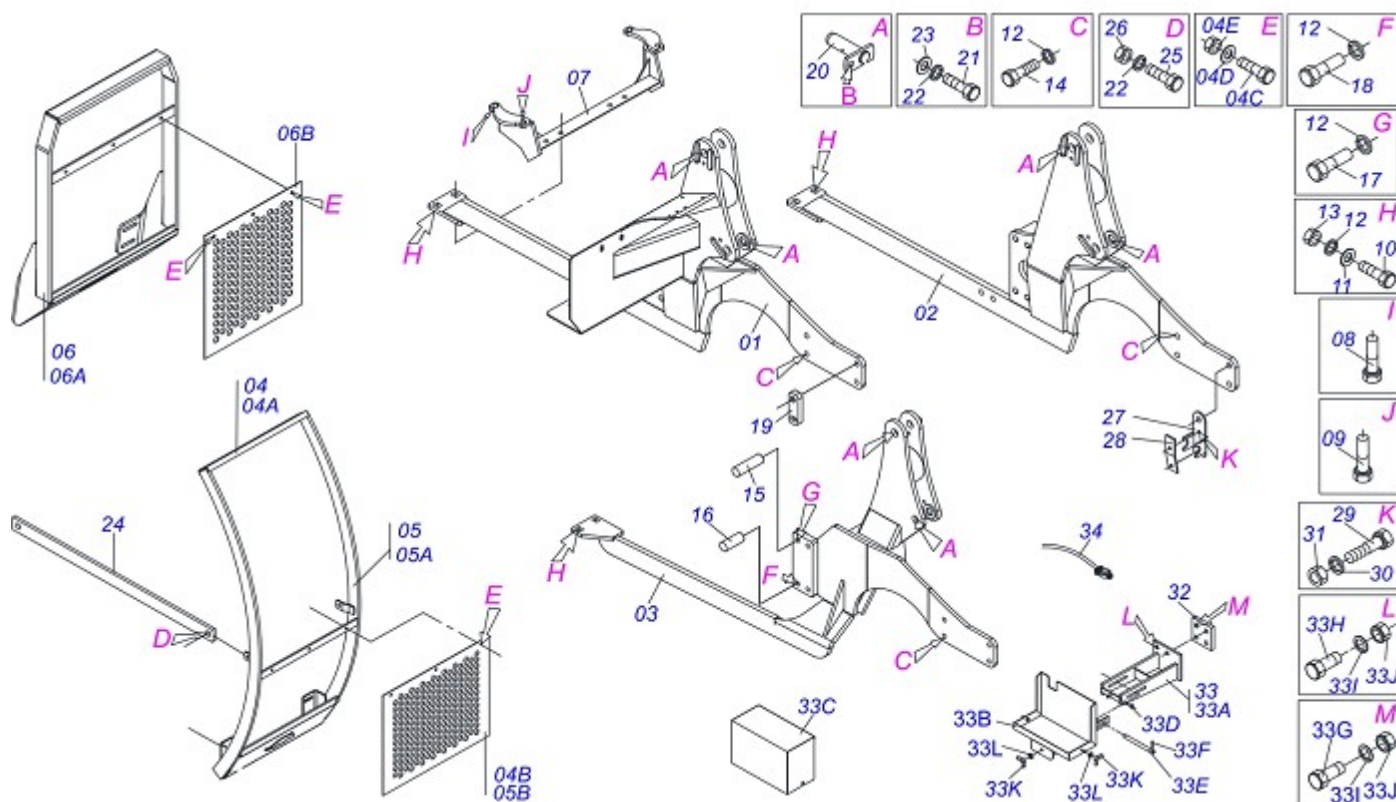


INDEX

| | | | |
|------------|---|-------|---|
| 0909090770 | CHASSI PD NH 7630-4 SHT/BT S-0608 | | 1 |
| 0909090779 | SUPT.MOVEL FNH 7630-4 SHT/BT S-0608/0603/0398 | | 2 |
| 0909090780 | CIRC.HIDR.FNH 7630-4 BT | | 3 |
| 0909090781 | CIRC.HIDR.PD FNH 7630-4 SHT ATUAL | | 4 |
| 0909090782 | CIL.HIDR.50,8X101,6X955X485 DIR./ESQ. | | 5 |

ATTENTION: IMPORTANT

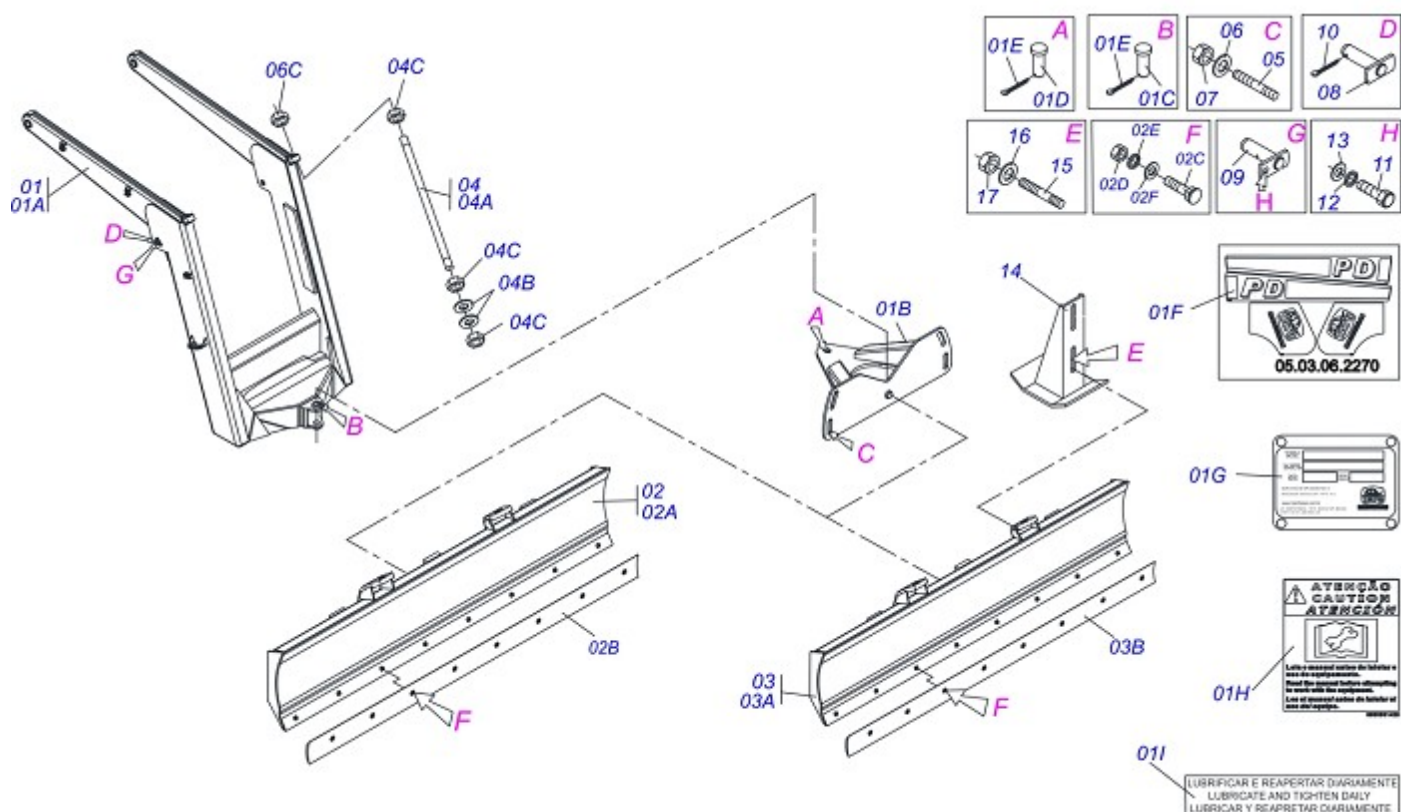
MARCHESAN RESERVES THE RIGHT AT ANY TIME TO MAKE IMPROVEMENTS IN THE DESIGN, MATERIAL OR SPECIFICATIONS OF MACHINERY, EQUIPMENT OR PARTS WITHOUT THEREBY BECOMING LIABLE TO MAKE SIMILAR CHANGES IN MACHINERY, EQUIPMENT OR PARTS PREVIOUSLY SOLD.



| Item | Code | Description | QT |
|------|------------|----------------------------------|----|
| 01 | 0521060077 | RIGHT FRAME | 01 |
| 02 | 0521060451 | RIGHT PD FRAME | 01 |
| 03 | 0521060076 | LEFT FRAME | 01 |
| 04 | 0511049956 | MOBILE SUPPORT GUIDE ASSY S-0112 | 01 |
| 04A | 0521062696 | | 01 |
| 04B | 0501017431 | FRONT PROTECTION | 01 |
| 04C | 0503010751 | 3/8" X 1.1/4" HEX BOLT G.5 | 06 |
| 04D | 0501010984 | FLAT WASHER | 06 |
| 04E | 0503010026 | 3/8" NUT | 06 |
| 05 | 0501041796 | MOBILE SUPPORT GUIDE ASSY | 01 |
| 05A | 0501063133 | MOBILE SUPPORT GUIDE | 01 |
| 05B | 0501014687 | FRONT PROTECTION | 01 |
| 06 | 0511046439 | MOBILE SUPPORT GUIDE ASSY | 01 |
| 06A | 0511069391 | MOBILE SUPPORT GUIDE ASSY | 01 |
| 06B | 0501014687 | FRONT PROTECTION | 01 |
| 07 | 0521060106 | FRAME FIXER SUPORT | 01 |
| 08 | 0501010064 | 1" X 9" BOLT | 02 |
| 09 | 0501010066 | PARAF 3/4 X 9 CS | 04 |
| 10 | 0501010125 | 3/4" X 2-1/2" BOLT | 04 |
| 11 | 0501010322 | FLAT WASHER | 08 |
| 12 | 0503010023 | 3/4" SPRING WASHER | 18 |
| 13 | 0503010014 | 3/4" NUT | 04 |
| 14 | 0503013112 | M20 X 2.8" BOLT | 08 |
| 15 | 0561010487 | 22,23 X 44,45 X 137 SLEEVE | 02 |
| 16 | 0561010578 | 22,23 X 44,45 X 45 SLEEVE | 02 |
| 17 | 0503015049 | M20 X 2,5 X 190 BOLT | 02 |
| 18 | 0503013090 | M20 X 4" BOLT | 02 |
| 19 | 0561010484 | FRAME BAR CHOCK | 04 |
| 20 | 0501063751 | 1.5" X 5.5" PIVOT SHAFT | 04 |
| 21 | 0503010962 | PARAFUSO 5/8 UNC X 1.1/4 CS | 04 |
| 22 | 0503010027 | 5/8" SPRING WASHER | 08 |
| 23 | 0501012140 | FLAT WASHER | 04 |
| 24 | 0511013560 | ATTACHMENT BAR | 02 |



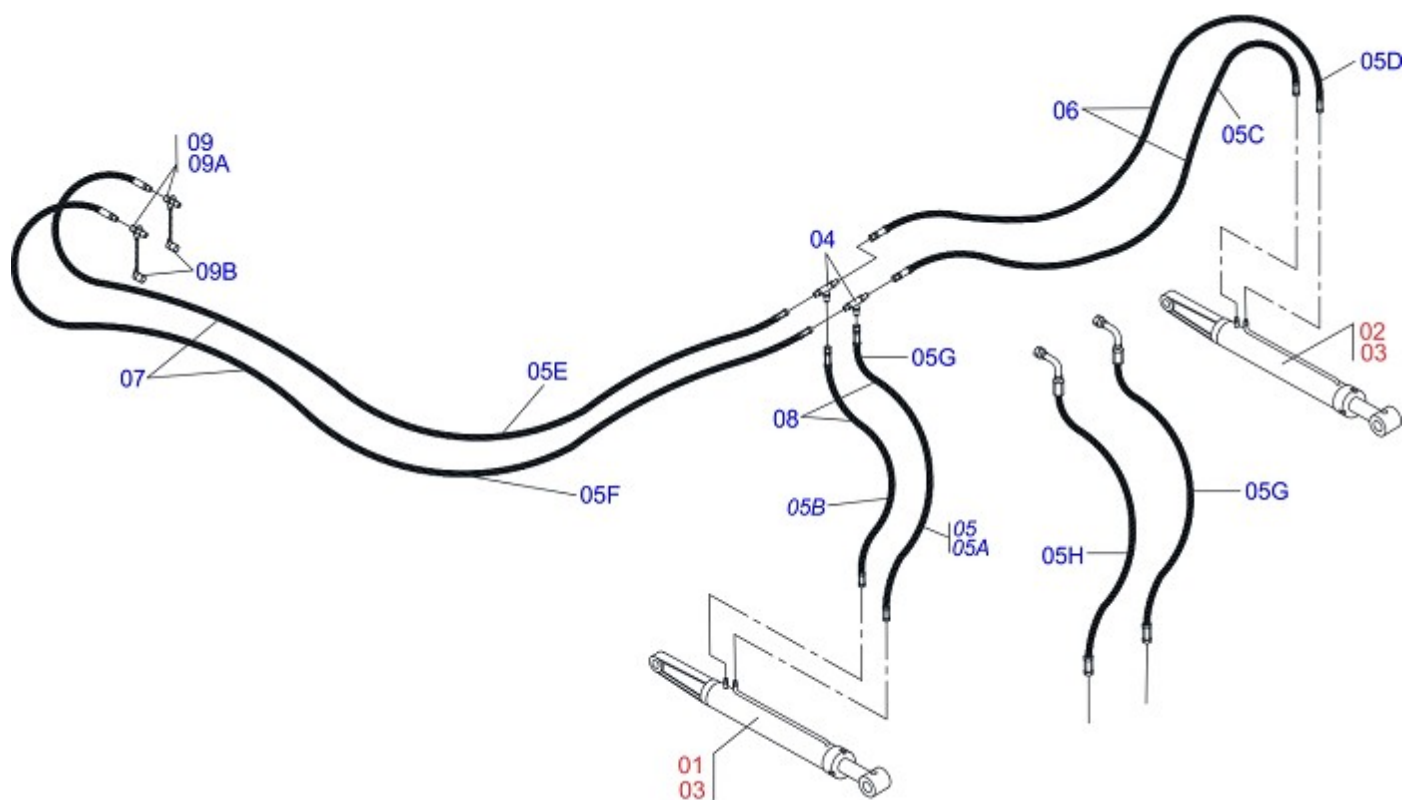
| Item | Code | Description | QT |
|------|------------|-------------------------------|----|
| 25 | 0501010100 | 5/8" X 2" BOLT | 04 |
| 26 | 0503010013 | 5/8" NUT | 04 |
| 27 | 0561010483 | | 01 |
| 28 | 0551017249 | PUMP SUCTION TUBE FIXER PLATE | 01 |
| 29 | 0503012720 | 1/4" X 3" BOLT | 02 |
| 30 | 0503010143 | 1/4" SPRING WASHER | 02 |
| 31 | 0503010144 | 1/4" NUT | 02 |
| 32 | 0551019176 | BATTERY BOX FIXER | 01 |
| 33 | 0511044960 | BATTERY BOX | 01 |
| 33A | 0511067446 | BATTERY FIXER | 01 |
| 33B | 0511067447 | BATTERY FIXER MOBILE | 01 |
| 33C | 0511067492 | BATTERY BOX COVER | 01 |
| 33D | 0551010490 | SLEEVE | 02 |
| 33E | 0551010491 | BATTERY BOX AXLE | 01 |
| 33F | 0503010571 | 1/4" X 1.1/2" COTTERPIN | 04 |
| 33G | 0501011544 | 3/4" X 1-1/2" BOLT | 02 |
| 33H | 0501010098 | 3/4" X 2" BOLT | 02 |
| 33I | 0503010023 | 3/4" SPRING WASHER | 02 |
| 33J | 0503010014 | 3/4" NUT | 02 |
| 33K | 0503010209 | 3/8" UNC BUTTERFLY NUT | 03 |
| 33L | 0503010025 | 3/8" SPRING WHASHER | 03 |
| 34 | 0503014889 | BATTERY CABLE | 01 |



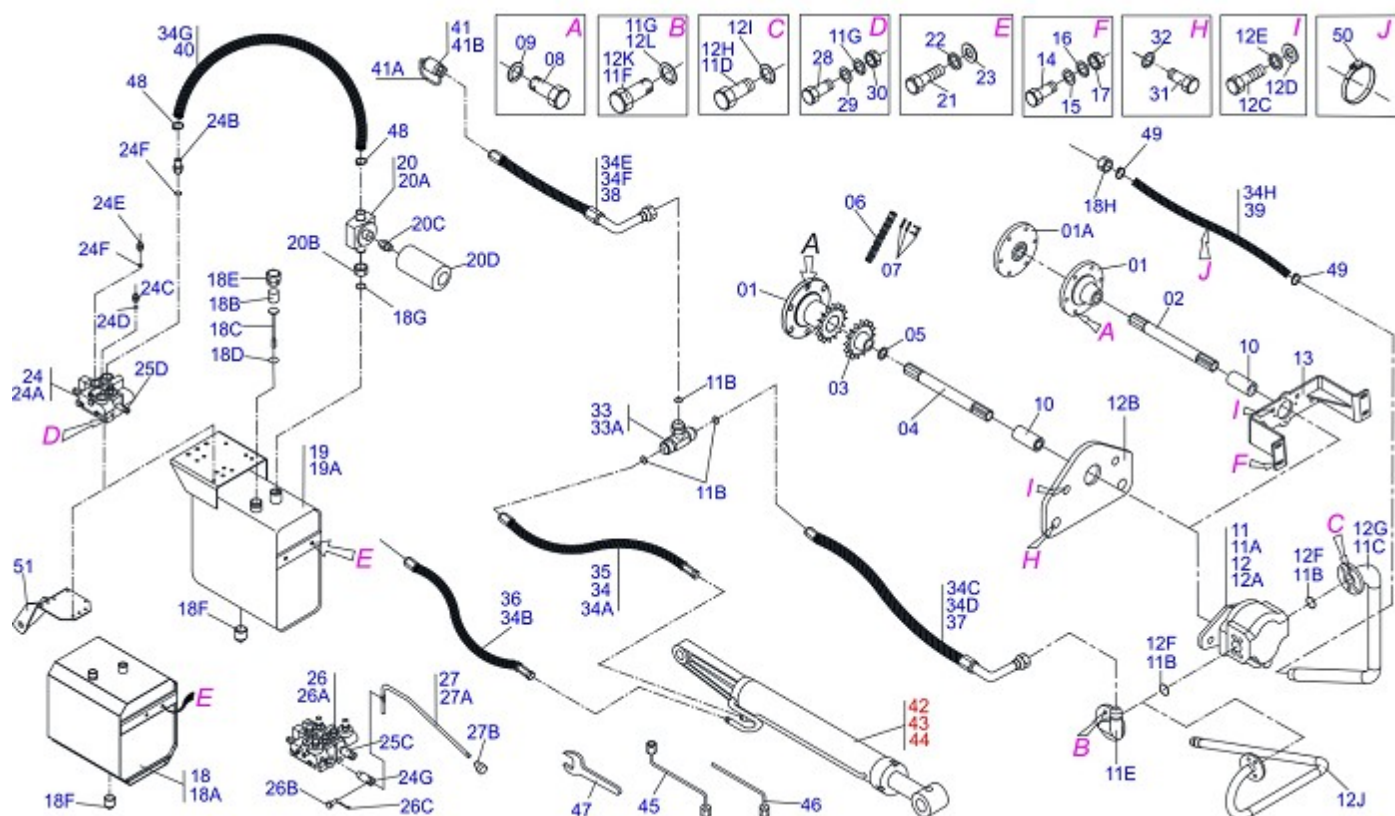
| Item | Code | Description | S608-603-398 |
|------|------------|---|--------------|
| 00 | 0909090779 | SUPT.MOVEL FNH 7630-4 SHT/BT S-0608/0603/0398 | 01 01 01 |
| 01 | 0501044604 | MOBILE SUPPORT ASSY | 01 00 00 |
| 01. | 0501042513 | | 00 01 01 |
| 01A | 0521063348 | | 01 00 00 |
| 01A. | 0501063701 | | 00 01 01 |
| 01B | 0501062637 | 5/8" REGULATOR SUPPORT | 01 01 01 |
| 01C | 0521010618 | 1.4" X 8.6" COUPLING SHAFT | 01 01 01 |
| 01D | 0521010612 | 1.4" X 3.5" COUPLING SHAFT | 01 01 01 |
| 01E | 0503010010 | 1/4" X 2.1/2" COTTERPIN | 02 02 02 |
| 01F | 0503062270 | SET LABEL ADHESIVE | 01 01 01 |
| 01G | 0503034003 | | 01 01 01 |
| 01H | 0503031428 | ADHESIVE LABEL ATTENTION | 01 01 01 |
| 01I | 0503031827 | ADHESIVE LABEL | 01 01 01 |
| 02 | 0501047708 | 2400 BLADE SUPPORT | 00 01 01 |
| 02A | 0501067999 | 2390 BLADE SUPPORT | 00 01 01 |
| 02B | 0622360016 | 94.5" SCRAPER REVERSIBLE | 01 01 01 |
| 02C | 0501012240 | 5/8" X 2-1/2" BOLT | 01 08 08 |
| 02D | 0503010013 | 5/8" NUT | 01 08 08 |
| 02E | 0503010027 | 5/8" SPRING WASHER | 01 08 08 |
| 02F | 0501012140 | FLAT WASHER | 01 08 08 |
| 03 | 0501047710 | 2600MM BLADE SUPPORT ASSY | 01 00 00 |
| 03A | 0501068001 | 2590MM BLADE SUPPORT ASSY | 01 00 00 |
| 03B | 0622360011 | 2600 SCRAPER REVERSIBLE | 01 00 00 |
| 04 | 0501041427 | 1.1/4" NC X 1540 ROD | 02 00 00 |
| 04. | 0501041856 | 1.1/4" NC X 1430 ROD | 00 02 02 |
| 04A | 0501014250 | 1.1/4" X 1540 ROD | 02 00 00 |
| 04A. | 0501014855 | 1.1/4" X 1430 ROD | 02 00 00 |
| 04B | 0502012180 | CONICAL SPRING WASHER | 04 04 04 |
| 04C | 0501010087 | 1.1/4" UNC NUT | 08 08 08 |
| 05 | 0561016755 | PRISONER 1 UNC X 1 UNC X 76 ZN | 04 04 04 |
| 06 | 0501010574 | FLAT WASHER | 04 04 04 |
| 07 | 0501010059 | 1" X 1-5/8" NUT | 04 04 04 |
| 08 | 0521063355 | COUPLING SHAFT | 02 00 00 |



| Item | Code | Description | S608-603-398 |
|------|------------|---------------------------------|--------------|
| 09 | 0501063958 | 1.5" X 4.3" PIVOT SHAFT LOCK | 00 02 02 |
| 10 | 0503010534 | 3/8" X 2-1/2" COTTERPIN | 02 00 00 |
| 11 | 0503010962 | PARAFUSO 5/8 UNC X 1.1/4 CS | 00 02 02 |
| 12 | 0503010027 | 5/8" SPRING WASHER | 00 02 02 |
| 13 | 0501012140 | FLAT WASHER | 00 02 02 |
| 14 | 0501063411 | ESTABILIZER BRACKET | 02 02 02 |
| 15 | 0561016756 | 3/4 UNC X 3/4 UNC X 56 PRISONER | 04 04 04 |
| 16 | 0501010322 | FLAT WASHER | 04 04 04 |
| 17 | 0503010014 | 3/4" NUT | 04 04 04 |



| Item | Code | Description | S-0608/603/398 | | |
|------|------------|-------------------------------------|----------------|----|----|
| 01 | 0501041381 | | 00 | 01 | 01 |
| 02 | 0501041382 | | 00 | 01 | 01 |
| 03 | 0511047395 | HYDRAULIC CYLINDER | 02 | 00 | 00 |
| 04 | 0503012341 | "T" 7/8" ADAPOR GIRAT NUT | 02 | 00 | 00 |
| 04. | 0501068942 | "T" CONNECTION NIPPLES | 00 | 02 | 02 |
| 05 | 0501058823 | | 01 | 00 | 00 |
| 05A | 0501080030 | 1/2" X 53" TR-TC HOSE ASSY | 01 | 00 | 00 |
| 05B | 0501080094 | 1/2 X 1800 TR-TC HOSE | 01 | 00 | 00 |
| 05C | 0501081414 | 1/2 X 2250 TC-TC HOSE | 01 | 00 | 00 |
| 05D | 0501080272 | 1/2 X 2700 TR-TC HOSE | 01 | 00 | 00 |
| 05E | 0501080246 | HOSE 1/2 X 2600 TR- TM | 02 | 00 | 00 |
| 05F | 0501080328 | 3/8" X 29" TR-TC HOSE | 01 | 00 | 00 |
| 05G | 0501080717 | 3/8" X 98" TC-TC HOSE ASSY | 01 | 00 | 00 |
| 05H | 0501080401 | 3/8" X 106" TR-TC HOSE ASSY | 01 | 00 | 00 |
| 06 | 0501080197 | | 00 | 02 | 02 |
| 07 | 0501080135 | | 00 | 02 | 02 |
| 08 | 0501080282 | | 00 | 02 | 02 |
| 09 | 0501053834 | QUICK CONECTION (MALE) 1/2NPT | 02 | 02 | 02 |
| 09A | 0503011627 | QUICK CONNECTION (MALE) AGR 1/2 NPT | 02 | 02 | 02 |
| 09B | 0503011882 | QUICK CONNECTION COVER | 02 | 02 | 02 |



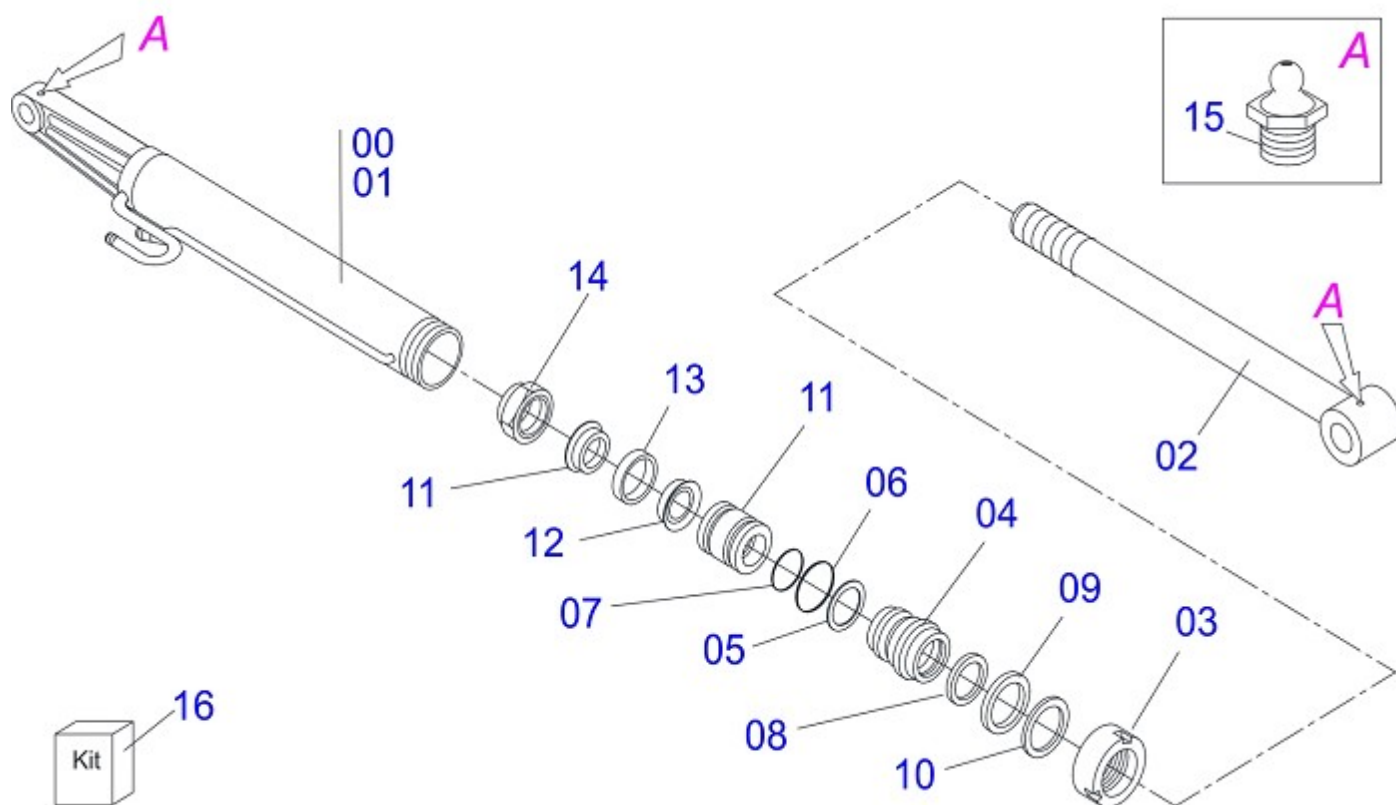
| Item | Code | Description | 608/603/398 SERIES |
|------|------------|--------------------------------|--------------------|
| 01 | 0503050056 | FLANGE COUPLING | 01 00 00 |
| 01. | 0503050061 | GEAR BUSHING WHEEL FLANGE | 00 01 01 |
| 01A | 0551019179 | FLANGE ADAPTER | 01 00 00 |
| 02 | 0501058245 | 527 STRIATED AXLE | 01 00 00 |
| 03 | 0503050075 | GEAR 16Z | 00 01 01 |
| 04 | 0501057538 | | 00 01 01 |
| 05 | 0501010890 | FLANGE WASHER | 00 01 01 |
| 06 | 0503010455 | 50-2 CHAIN X 15 LINK + MENDING | 00 01 01 |
| 07 | 0503010560 | AMENDMENT WITH LOCK | 00 01 01 |
| 08 | 0503010729 | M10 X 1" BOLT | 06 06 06 |
| 09 | 0503010180 | 7/16" SPRING WASHER | 06 06 06 |
| 10 | 0503030838 | 1-1/8" X 2.4" SLEEVE | 01 01 01 |
| 11 | 0511047396 | PUMP WITH TUBE | 01 00 00 |
| 11A | 0503061770 | PUMP WITH TUBE | 01 01 01 |
| 11B | 0503010173 | 2-220 N 3006-9B O'RING | 02 00 00 |
| 11C | 0521060103 | PUMP SUCTION TUBE | 01 00 00 |
| 11D | 0503010355 | 7/16" X 1" BOLT | 04 00 00 |
| 11E | 0501069661 | PUMP PRESSURE TUBE | 01 00 00 |
| 11F | 0503010237 | 3/8" X 1" BOLT | 04 00 00 |
| 11G | 0503010025 | 3/8" SPRING WHASHER | 07 07 07 |
| 12 | 0501044573 | | 00 01 01 |
| 12A | 0503061770 | PUMP WITH TUBE | 00 01 01 |
| 12B | 0502020097 | PUMP SUPPORT | 00 01 01 |
| 12C | 0503010920 | 1/2" X 1.1/2" BOLT | 00 02 02 |
| 12D | 0511017302 | FLAT WASHER | 00 02 02 |
| 12E | 0503010019 | 1/2" SPRING WASHER | 00 02 02 |
| 12F | 0503010173 | 2-220 N 3006-9B O'RING | 00 02 02 |
| 12G | 0501062490 | | 00 01 01 |
| 12H | 0503010355 | 7/16" X 1" BOLT | 00 04 04 |
| 12I | 0503010180 | 7/16" SPRING WASHER | 00 04 04 |
| 12J | 0501062491 | | 00 01 01 |
| 12K | 0503010237 | 3/8" X 1" BOLT | 00 04 04 |
| 12L | 0503010025 | 3/8" SPRING WHASHER | 00 04 04 |



| Item | Code | Description | 608/603/398 SERIES |
|------|------------|-------------------------------------|--------------------|
| 12M | 0503030388 | PLUG N-005 | 00 01 01 |
| 13 | 0521060078 | GUIDE PUMP SUPPORT | 01 00 00 |
| 14 | 0501010100 | 5/8" X 2" BOLT | 04 00 00 |
| 15 | 0503010027 | 5/8" SPRING WASHER | 04 00 00 |
| 16 | 0501012140 | FLAT WASHER | 04 00 00 |
| 17 | 0503010013 | 5/8" NUT | 04 00 00 |
| 18 | 0501049879 | RESERVOIR OIL ASSY | 01 00 00 |
| 18A | 0511063248 | RESERVOIR OIL | 01 00 00 |
| 18B | 0503030044 | FILTERING ELEMENT | 01 01 01 |
| 18C | 0501060975 | OIL GAGE | 01 01 01 |
| 18D | 0503010185 | 2-221 N 3006-9B O'RING | 01 01 01 |
| 18E | 0502020472 | TANK COVER BODY | 01 01 01 |
| 18F | 0503031604 | 1/2" BSP PLUG | 01 01 01 |
| 18G | 0503010046 | 2-216 N 3006-9B O'RING | 01 01 01 |
| 18H | 0501016309 | 2" 1X 2.5/16" NUT | 01 01 01 |
| 19 | 0501047808 | RESERVOIR OIL ASSY | 00 01 01 |
| 19A | 0501068882 | RESERVOIR OIL | 00 01 01 |
| 20 | 0501041108 | RETURNING FILTER ASSY | 01 01 01 |
| 20A | 0502050002 | RETURNING FILTER HEAD | 01 01 01 |
| 20B | 0501010594 | 1" NUT HEX | 01 01 01 |
| 20C | 0501010595 | 1" NF NIPPLE | 01 01 01 |
| 20D | 0503010183 | RETURNING FILTER | 01 01 01 |
| 21 | 0501010161 | 1/2" X 1-1/4" BOLT | 04 04 04 |
| 22 | 0503010019 | 1/2" SPRING WASHER | 04 04 04 |
| 23 | 0511017302 | FLAT WASHER | 04 04 04 |
| 24 | 0501040871 | 1/2" COMMAND SIMPLE ASSY | 01 01 01 |
| 24A | 0503060080 | 1/2" COMMAND SIMPLE | 01 01 01 |
| 24B | 0501010591 | HOSE NIPPLE | 01 01 01 |
| 24B. | 0501010591 | HOSE NIPPLE | 01 00 00 |
| 24C | 0501010589 | 1-1/16 NIPPLE | 01 01 01 |
| 24C. | 0501010589 | 1-1/16 NIPPLE | 01 00 00 |
| 24D | 0503010602 | 2-211 N 3006-9B O'RING | 02 02 02 |
| 24E | 0501010590 | 7/8" HEX NIPPLE | 02 02 02 |
| 24E. | 0501010590 | 7/8" HEX NIPPLE | 04 00 00 |
| 24F | 0503010045 | 2-116 N 3006-9B O'RING | 02 02 02 |
| 24F. | 0503010045 | 2-116 N 3006-9B O'RING | 04 00 00 |
| 24G | 0503030347 | UPPER LEVER ASSY (SAUER DANFOSS) | 01 01 01 |
| 25 | 0511046500 | CD 1/2 S/LEVER FIXER CONTROL DOUBLE | 01 00 00 |
| 25A | 0503060016 | 1/2"DOUBLE COMMAND | 01 00 00 |
| 25B | 0503011109 | 2-119 N 3006-9B O'RING | 02 00 00 |
| 25C | 0503030387 | PLUG | 04 00 00 |
| 25D | 0503030388 | PLUG N-005 | 01 00 00 |
| 26 | 0501059952 | | 00 01 01 |
| 26A | 0503060016 | 1/2"DOUBLE COMMAND | 00 01 01 |
| 26B | 0521010533 | 0.3" X 1" COUPLING SHAFT | 00 02 02 |
| 26C | 0503010140 | 1/8" X 3/4" COTTERPIN | 00 02 02 |
| 27 | 0501047852 | CONTROL VALVE (PD V 118 SHT) | 01 01 01 |
| 27A | 0501069069 | CONTROL VALVE (V 985-4/AX 4.75) | 01 01 01 |
| 27B | 0503030878 | LEVER CRANK | 01 01 01 |
| 28 | 0501010080 | 3/8" X 1-1/2" BOLT | 03 03 03 |
| 29 | 0501010984 | FLAT WASHER | 03 03 03 |
| 30 | 0503010026 | 3/8" NUT | 03 03 03 |
| 31 | 0503013111 | M20 X 2.5" BOLT | 00 02 02 |
| 32 | 0503010023 | 3/4" SPRING WASHER | 00 02 02 |
| 33 | 0503013493 | T CONNECTION MALE | 02 00 00 |
| 33A | 0501068942 | "T" CONNECTION NIPPLES | 00 02 02 |
| 34 | 0501058589 | | 02 00 00 |
| 34A | 0501080014 | | 02 00 00 |
| 34B | 0501080010 | | 01 00 00 |
| 34C | 0501080052 | 1/2" X 63" TR-TR HOSE ASSY | 01 00 00 |
| 34D | 0501080628 | | 01 00 00 |
| 34E | 0501081041 | | 01 00 00 |



| Item | Code | Description | 608/603/398 SERIES |
|------|------------|-----------------------------------|--------------------|
| 34F | 0501080110 | | 02 00 00 |
| 34G | 0561010501 | 1.1/4 X 1800 AB-AB HOSE ASSY | 01 00 00 |
| 34H | 0501018913 | 1" X 35.43" AB-AB HOSE | 01 00 00 |
| 34I | 0501081321 | | 01 00 00 |
| 35 | 0501080120 | 1/2" X 400 TR-TR HOSE | 00 01 01 |
| 36 | 0501080109 | 1/2" X 800 TR-TR HOSE | 00 04 04 |
| 37 | 0501080030 | 1/2" X 53" TR-TC HOSE ASSY | 00 02 02 |
| 38 | 0501080347 | | 00 01 01 |
| 39 | 0501013822 | 1" X 25.6" AB-AB HOSE | 00 01 01 |
| 40 | 0501014648 | | 00 01 01 |
| 41 | 0501053835 | FEMALE QUICK COUPLER | 02 02 02 |
| 41A | 0503011883 | QUICK CONNECTION COVER | 02 02 02 |
| 41B | 0503011628 | QUICK CONNECTION(FEM) AGR 1/2 NPT | 02 02 02 |
| 42 | 0511047395 | HYDRAULIC CYLINDER | 02 00 00 |
| 43 | 0501041381 | | 00 01 01 |
| 44 | 0501041382 | | 00 01 01 |
| 45 | 0501068213 | 5/8" WRENCH DOUBLE | 01 01 01 |
| 46 | 0501061617 | 1" WRENCH CYLINDRICAL HEX | 01 01 01 |
| 47 | 0511010153 | 2-5/16" FIXED WRENCH | 01 01 01 |
| 48 | 0503010184 | 1-1/4" TO 1-1/2" CLAMP | 02 02 02 |
| 49 | 0503010243 | 1-1/2" TO 2" CLAMP | 04 04 04 |
| 50 | 0503010246 | 2" TO 2 1/2" CLAMP | 01 00 00 |
| 51 | 0521060079 | | 01 00 00 |



| Item | Code | Description | QT |
|------|------------|------------------------------|----|
| 00 | 0501041381 | | 01 |
| 00. | 0501041382 | | 01 |
| 01 | 0501063660 | | 01 |
| 01. | 0501063661 | | 01 |
| 02 | 0501063968 | | 01 |
| 03 | 0502010017 | 4" HEAD | 01 |
| 04 | 0502010778 | 2" X 4.2" RING SUPPORT | 01 |
| 05 | 0503010039 | SCRAPER RING | 01 |
| 06 | 0503010991 | PACKING 1870 | 01 |
| 07 | 0503010338 | 2-342 N 3006-9B O'RING | 01 |
| 08 | 0503011061 | 8-342 BACK-UP RING | 01 |
| 09 | 0503010952 | RING | 01 |
| 10 | 0503010345 | 2-218 O'RING | 01 |
| 11 | 0502010992 | 2.0" X 4.0" PISTON | 01 |
| 12 | 0503010043 | GASKET | 02 |
| 13 | 0503010994 | W2-4000-500 PK RING G.E | 01 |
| 14 | 0503010817 | 1.1/4"SNC SELF ADJUSTING NUT | 01 |
| 15 | 0503010002 | GREASE FITTING | 02 |
| 16 | 0503030387 | PLUG | 02 |

ANNOTATIONS

ORIGINAL PARTS
TATU



MARCHESAN



MARCHESAN

MARCHESAN IMPLEMENTOS E MÁQUINAS AGRÍCOLAS TATU S.A.

AV. Marchesan, 1979 - Post office box, 131 - CEP 15994-900 - Matão - SP - Brazil

Phone +55 16.3382-8282

(FAX Parts) + 55 16.3382. 8297 - (Export) + 55 16.3382.1003

e.mail: tatu@marchesan.com.br www.marchesan.com.br

*Drafting and Illustration = GASPARI
e.mail = jgaspari@marchesan.com.br*

**ORIGINAL PARTS
TATU**



MARCHESAN