

PARTS CATALOG

FRONT LOADER

PD NH 7630-4 SHT/BT S100 S-0603

Code: 0501091507



Series: S-0603

Review: OUTUBRO/15

ORIGINAL PARTS
TATU

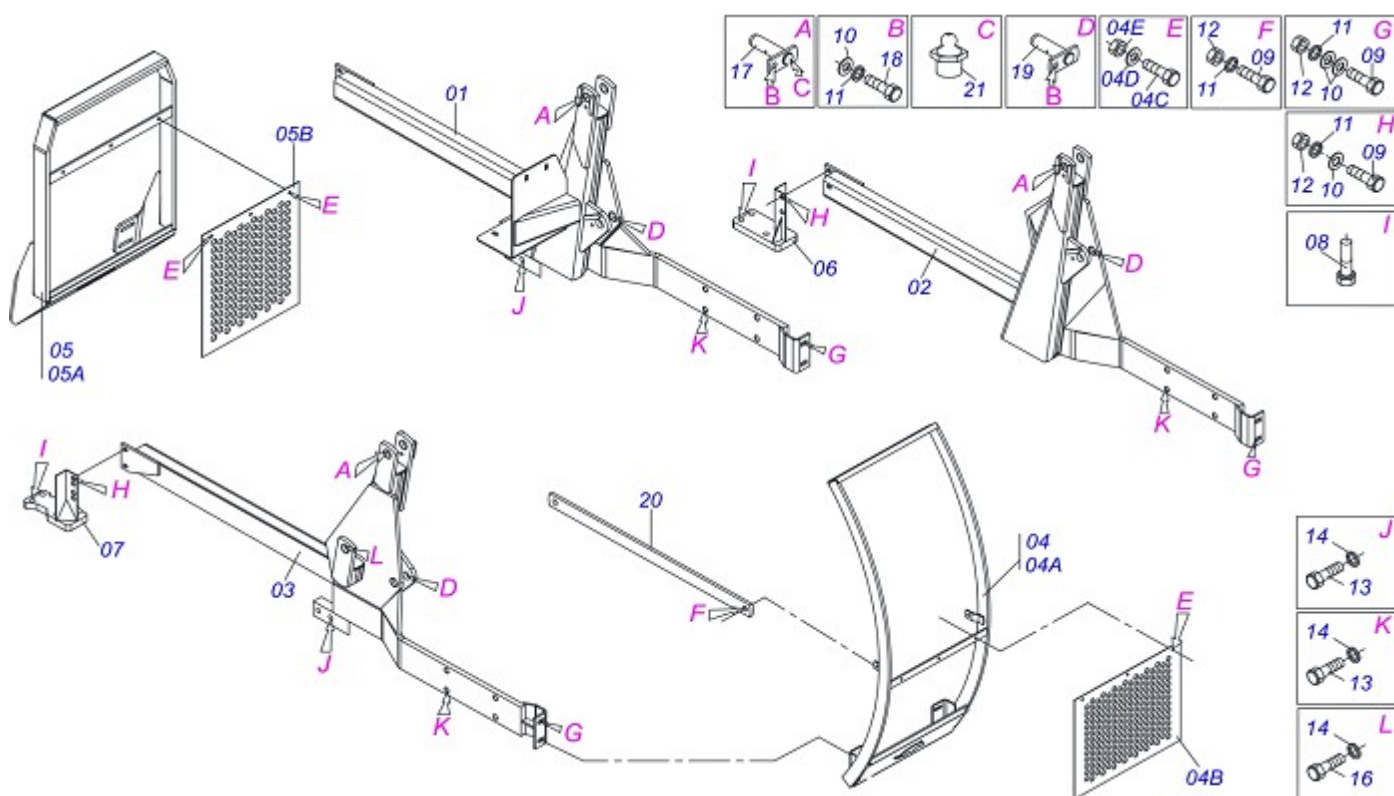


INDEX

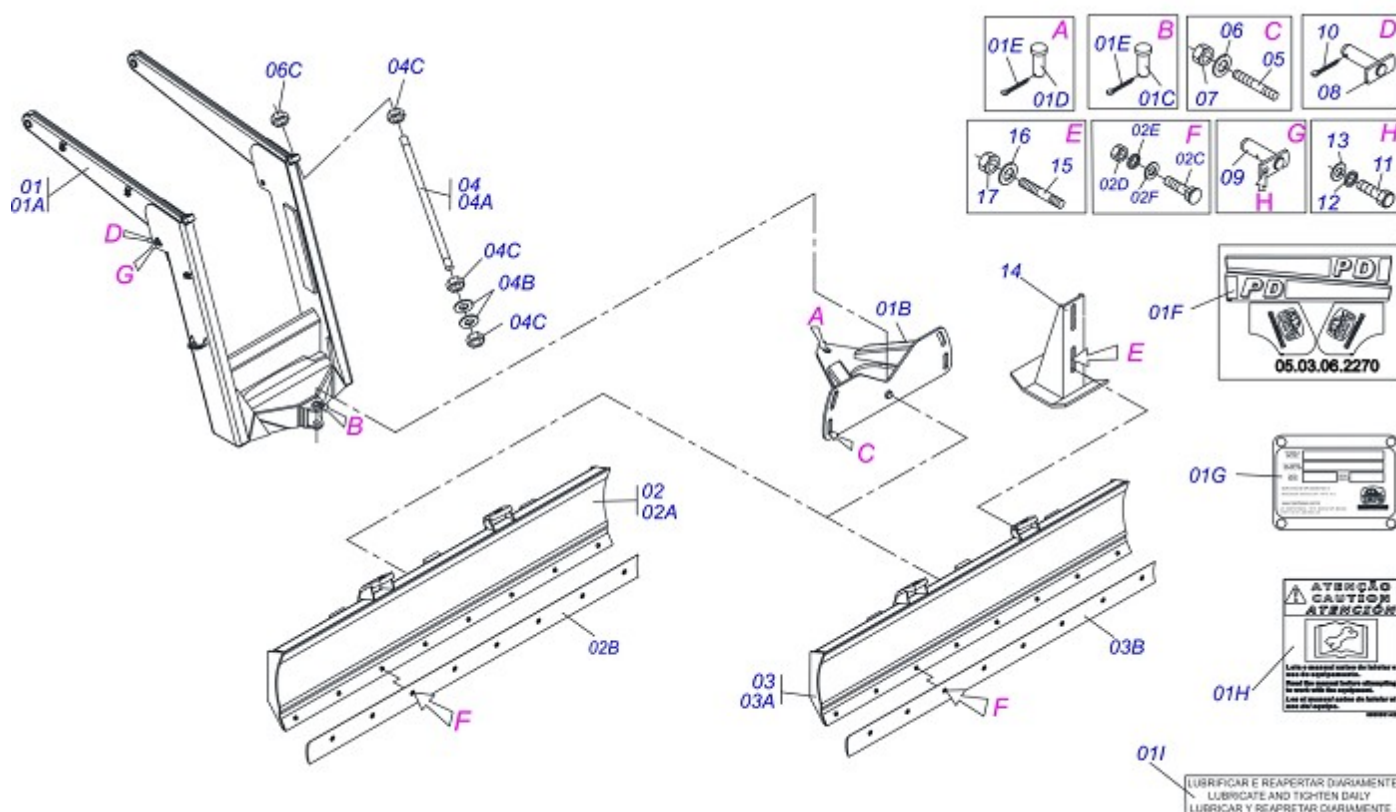
0909090771	CHASSI PD NH 7630-4 SHT/BT S100 S-0603	1
0909090779	SUPT.MOVEL FNH 7630-4 SHT/BT S-0608/0603/0398	2
0909090780	CIRC.HIDR.FNH 7630-4 BT	3
0909090781	CIRC.HIDR.PD FNH 7630-4 SHT ATUAL	4
0909090782	CIL.HIDR.50,8X101,6X955X485 DIR./ESQ.	5

ATTENTION: IMPORTANT

MARCHESAN RESERVES THE RIGHT AT ANY TIME TO MAKE IMPROVEMENTS IN THE DESIGN, MATERIAL OR SPECIFICATIONS OF MACHINERY, EQUIPMENT OR PARTS WITHOUT THEREBY BECOMING LIABLE TO MAKE SIMILAR CHANGES IN MACHINERY, EQUIPMENT OR PARTS PREVIOUSLY SOLD.



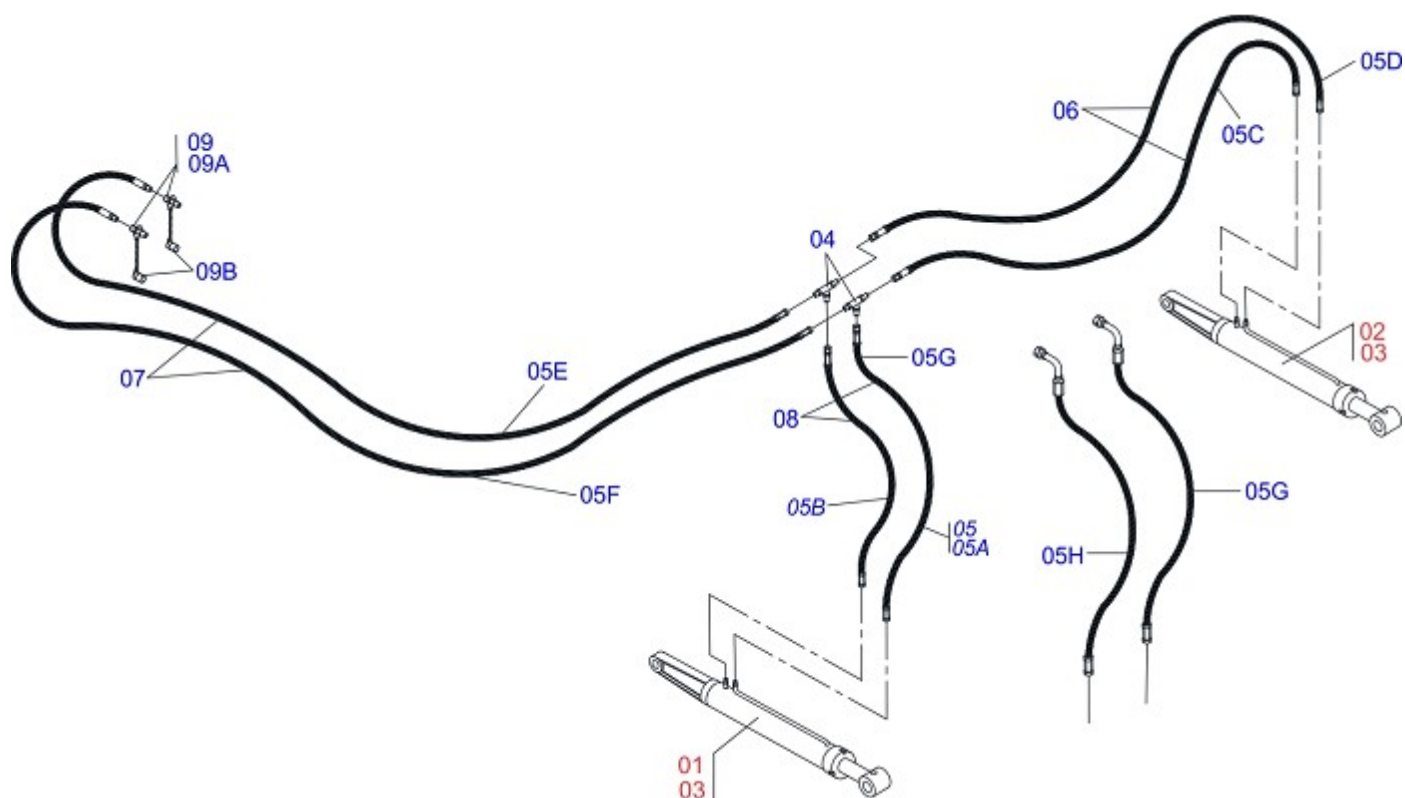
Item	Code	Description	QT
01	0511064821		01
02	0511064822		01
03	0511064823		01
04	0501045026		01
04A	0511061999		01
04B	0501014214		01
04C	0503010751	3/8" X 1.1/4" HEX BOLT G.5	06
04D	0501010984	FLAT WASHER	06
04E	0503010026	3/8" NUT	06
05	0511046439	MOBILE SUPPORT GUIDE ASSY	01
05A	0511069391	MOBILE SUPPORT GUIDE ASSY	01
05B	0501014687	FRONT PROTECTION	01
06	0511064859		01
07	0511064860		01
08	0501010066	PARAF 3/4 X 9 CS	04
09	0501010100	5/8" X 2" BOLT	04
10	0501012140	FLAT WASHER	08
11	0503010027	5/8" SPRING WASHER	04
12	0503010013	5/8" NUT	04
13	0503013174		06
14	0503010023	3/4" SPRING WASHER	18
15	0501010098	3/4" X 2" BOLT	10
16	0503013110	M20 X 2" BOLT	02
17	0501063751	1.5" X 5.5" PIVOT SHAFT	02
18	0503010962	PARAFUSO 5/8 UNC X 1.1/4 CS	04
19	0501063959	PIVOT SHAFT	02
20	0531019890		02
21	0503010002	GREASE FITTING	02



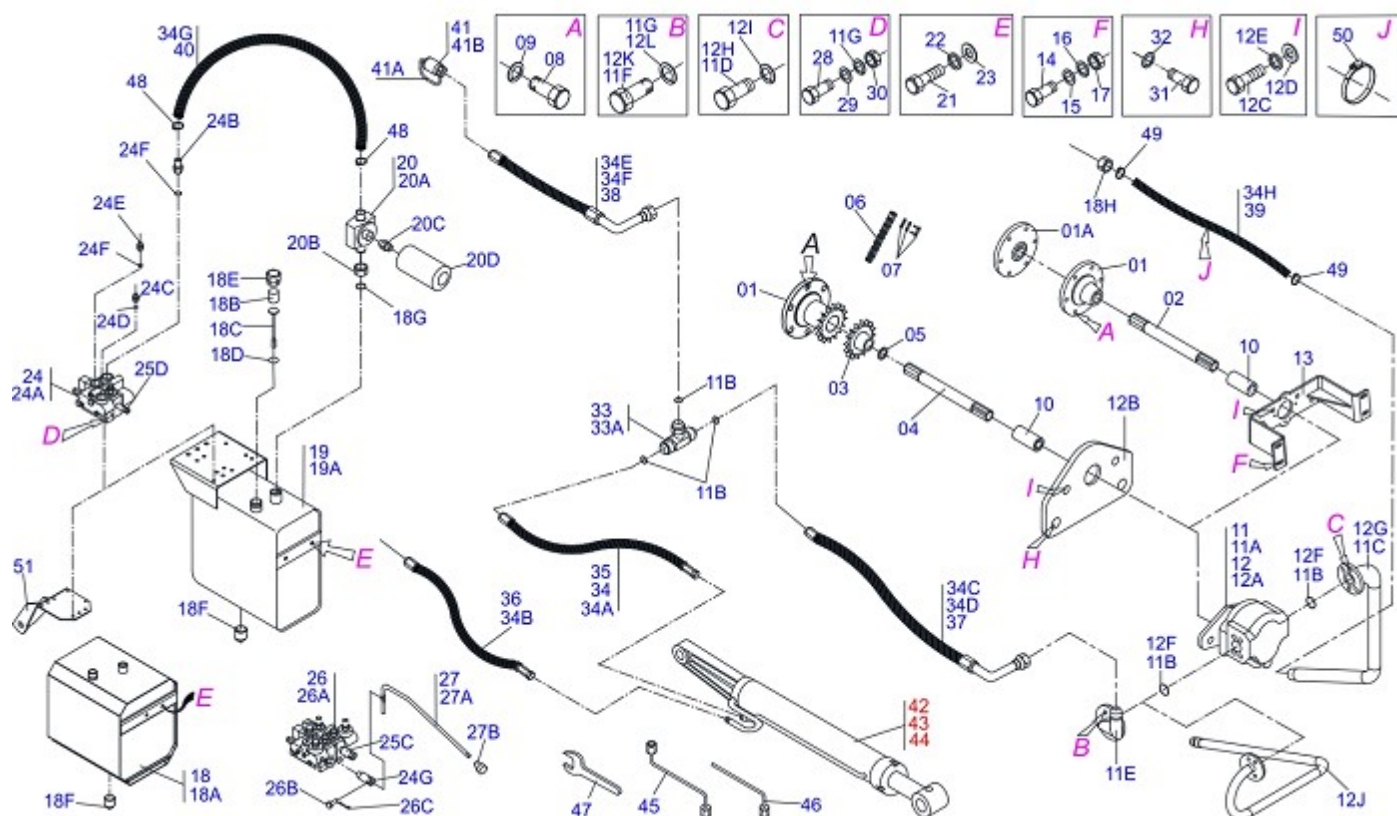
Item	Code	Description	S608-603-398
00	0909090779	SUPT.MOVEL FNH 7630-4 SHT/BT S-0608/0603/0398	01 01 01
01	0501044604	MOBILE SUPPORT ASSY	01 00 00
01.	0501042513		00 01 01
01A	0521063348		01 00 00
01A.	0501063701		00 01 01
01B	0501062637	5/8" REGULATOR SUPPORT	01 01 01
01C	0521010618	1.4" X 8.6" COUPLING SHAFT	01 01 01
01D	0521010612	1.4" X 3.5" COUPLING SHAFT	01 01 01
01E	0503010010	1/4" X 2.1/2" COTTERPIN	02 02 02
01F	0503062270	SET LABEL ADHESIVE	01 01 01
01G	0503034003		01 01 01
01H	0503031428	ADHESIVE LABEL ATTENTION	01 01 01
01I	0503031827	ADHESIVE LABEL	01 01 01
02	0501047708	2400 BLADE SUPPORT	00 01 01
02A	0501067999	2390 BLADE SUPPORT	00 01 01
02B	0622360016	94.5" SCRAPER REVERSIBLE	01 01 01
02C	0501012240	5/8" X 2-1/2" BOLT	01 08 08
02D	0503010013	5/8" NUT	01 08 08
02E	0503010027	5/8" SPRING WASHER	01 08 08
02F	0501012140	FLAT WASHER	01 08 08
03	0501047710	2600MM BLADE SUPPORT ASSY	01 00 00
03A	0501068001	2590MM BLADE SUPPORT ASSY	01 00 00
03B	0622360011	2600 SCRAPER REVERSIBLE	01 00 00
04	0501041427	1.1/4" NC X 1540 ROD	02 00 00
04.	0501041856	1.1/4" NC X 1430 ROD	00 02 02
04A	0501014250	1.1/4" X 1540 ROD	02 00 00
04A.	0501014855	1.1/4" X 1430 ROD	02 00 00
04B	0502012180	CONICAL SPRING WASHER	04 04 04
04C	0501010087	1.1/4" UNC NUT	08 08 08
05	0561016755	PRISONER 1 UNC X 1 UNC X 76 ZN	04 04 04
06	0501010574	FLAT WASHER	04 04 04
07	0501010059	1" X 1-5/8" NUT	04 04 04
08	0521063355	COUPLING SHAFT	02 00 00



Item	Code	Description	S608-603-398
09	0501063958	1.5" X 4.3" PIVOT SHAFT LOCK	00 02 02
10	0503010534	3/8" X 2-1/2" COTTERPIN	02 00 00
11	0503010962	PARAFUSO 5/8 UNC X 1.1/4 CS	00 02 02
12	0503010027	5/8" SPRING WASHER	00 02 02
13	0501012140	FLAT WASHER	00 02 02
14	0501063411	ESTABILIZER BRACKET	02 02 02
15	0561016756	3/4 UNC X 3/4 UNC X 56 PRISONER	04 04 04
16	0501010322	FLAT WASHER	04 04 04
17	0503010014	3/4" NUT	04 04 04



Item	Code	Description	S-0608/603/398		
01	0501041381		00	01	01
02	0501041382		00	01	01
03	0511047395	HYDRAULIC CYLINDER	02	00	00
04	0503012341	"T" 7/8" ADAPTOR GIRAT NUT	02	00	00
04.	0501068942	"T" CONNECTION NIPPLES	00	02	02
05	0501058823		01	00	00
05A	0501080030	1/2" X 53" TR-TC HOSE ASSY	01	00	00
05B	0501080094	1/2 X 1800 TR-TC HOSE	01	00	00
05C	0501081414	1/2 X 2250 TC-TC HOSE	01	00	00
05D	0501080272	1/2 X 2700 TR-TC HOSE	01	00	00
05E	0501080246	HOSE 1/2 X 2600 TR- TM	02	00	00
05F	0501080328	3/8" X 29" TR-TC HOSE	01	00	00
05G	0501080717	3/8" X 98" TC-TC HOSE ASSY	01	00	00
05H	0501080401	3/8" X 106" TR-TC HOSE ASSY	01	00	00
06	0501080197		00	02	02
07	0501080135		00	02	02
08	0501080282		00	02	02
09	0501053834	QUICK CONECTION (MALE) 1/2NPT	02	02	02
09A	0503011627	QUICK CONNECTION (MALE) AGR 1/2 NPT	02	02	02
09B	0503011882	QUICK CONNECTION COVER	02	02	02



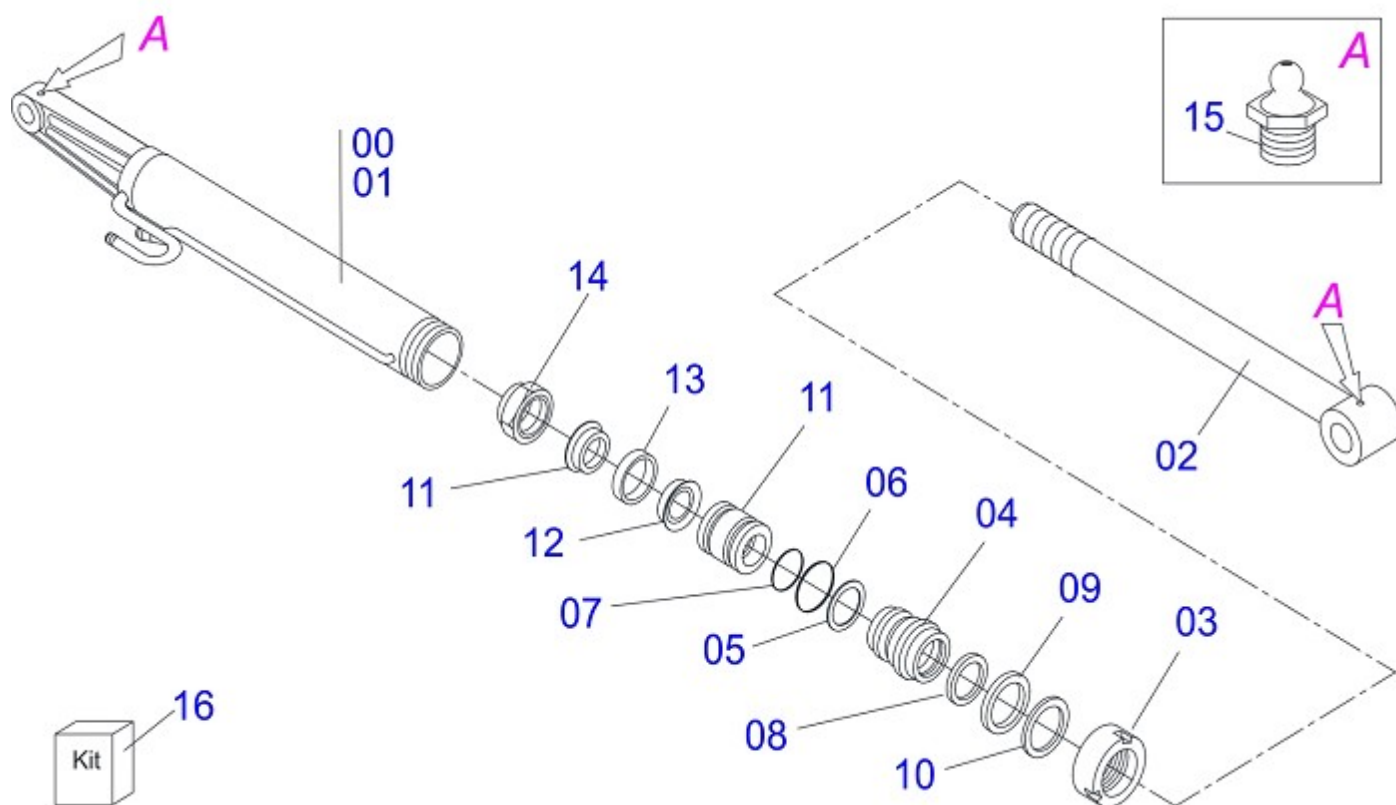
Item	Code	Description	608/603/398 SERIES
01	0503050056	FLANGE COUPLING	01 00 00
01.	0503050061	GEAR BUSHING WHEEL FLANGE	00 01 01
01A	0551019179	FLANGE ADAPTER	01 00 00
02	0501058245	527 STRIATED AXLE	01 00 00
03	0503050075	GEAR 16Z	00 01 01
04	0501057538		00 01 01
05	0501010890	FLANGE WASHER	00 01 01
06	0503010455	50-2 CHAIN X 15 LINK + MENDING	00 01 01
07	0503010560	AMENDMENT WITH LOCK	00 01 01
08	0503010729	M10 X 1" BOLT	06 06 06
09	0503010180	7/16" SPRING WASHER	06 06 06
10	0503030838	1-1/8" X 2.4" SLEEVE	01 01 01
11	0511047396	PUMP WITH TUBE	01 00 00
11A	0503061770	PUMP WITH TUBE	01 01 01
11B	0503010173	2-220 N 3006-9B O'RING	02 00 00
11C	0521060103	PUMP SUCTION TUBE	01 00 00
11D	0503010355	7/16" X 1" BOLT	04 00 00
11E	0501069661	PUMP PRESSURE TUBE	01 00 00
11F	0503010237	3/8" X 1" BOLT	04 00 00
11G	0503010025	3/8" SPRING WHASHER	07 07 07
12	0501044573		00 01 01
12A	0503061770	PUMP WITH TUBE	00 01 01
12B	0502020097	PUMP SUPPORT	00 01 01
12C	0503010920	1/2" X 1.1/2" BOLT	00 02 02
12D	0511017302	FLAT WASHER	00 02 02
12E	0503010019	1/2" SPRING WASHER	00 02 02
12F	0503010173	2-220 N 3006-9B O'RING	00 02 02
12G	0501062490		00 01 01
12H	0503010355	7/16" X 1" BOLT	00 04 04
12I	0503010180	7/16" SPRING WASHER	00 04 04
12J	0501062491		00 01 01
12K	0503010237	3/8" X 1" BOLT	00 04 04
12L	0503010025	3/8" SPRING WHASHER	00 04 04



Item	Code	Description	608/603/398 SERIES
12M	0503030388	PLUG N-005	00 01 01
13	0521060078	GUIDE PUMP SUPPORT	01 00 00
14	0501010100	5/8" X 2" BOLT	04 00 00
15	0503010027	5/8" SPRING WASHER	04 00 00
16	0501012140	FLAT WASHER	04 00 00
17	0503010013	5/8" NUT	04 00 00
18	0501049879	RESERVOIR OIL ASSY	01 00 00
18A	0511063248	RESERVOIR OIL	01 00 00
18B	0503030044	FILTERING ELEMENT	01 01 01
18C	0501060975	OIL GAGE	01 01 01
18D	0503010185	2-221 N 3006-9B O'RING	01 01 01
18E	0502020472	TANK COVER BODY	01 01 01
18F	0503031604	1/2" BSP PLUG	01 01 01
18G	0503010046	2-216 N 3006-9B O'RING	01 01 01
18H	0501016309	2" 1X 2.5/16" NUT	01 01 01
19	0501047808	RESERVOIR OIL ASSY	00 01 01
19A	0501068882	RESERVOIR OIL	00 01 01
20	0501041108	RETURNING FILTER ASSY	01 01 01
20A	0502050002	RETURNING FILTER HEAD	01 01 01
20B	0501010594	1" NUT HEX	01 01 01
20C	0501010595	1" NF NIPPLE	01 01 01
20D	0503010183	RETURNING FILTER	01 01 01
21	0501010161	1/2" X 1-1/4" BOLT	04 04 04
22	0503010019	1/2" SPRING WASHER	04 04 04
23	0511017302	FLAT WASHER	04 04 04
24	0501040871	1/2" COMMAND SIMPLE ASSY	01 01 01
24A	0503060080	1/2" COMMAND SIMPLE	01 01 01
24B	0501010591	HOSE NIPPLE	01 01 01
24B.	0501010591	HOSE NIPPLE	01 00 00
24C	0501010589	1-1/16 NIPPLE	01 01 01
24C.	0501010589	1-1/16 NIPPLE	01 00 00
24D	0503010602	2-211 N 3006-9B O'RING	02 02 02
24E	0501010590	7/8" HEX NIPPLE	02 02 02
24E.	0501010590	7/8" HEX NIPPLE	04 00 00
24F	0503010045	2-116 N 3006-9B O'RING	02 02 02
24F.	0503010045	2-116 N 3006-9B O'RING	04 00 00
24G	0503030347	UPPER LEVER ASSY (SAUER DANFOSS)	01 01 01
25	0511046500	CD 1/2 S/LEVER FIXER CONTROL DOUBLE	01 00 00
25A	0503060016	1/2"DOUBLE COMMAND	01 00 00
25B	0503011109	2-119 N 3006-9B O'RING	02 00 00
25C	0503030387	PLUG	04 00 00
25D	0503030388	PLUG N-005	01 00 00
26	0501059952		00 01 01
26A	0503060016	1/2"DOUBLE COMMAND	00 01 01
26B	0521010533	0.3" X 1" COUPLING SHAFT	00 02 02
26C	0503010140	1/8" X 3/4" COTTERPIN	00 02 02
27	0501047852	CONTROL VALVE (PD V 118 SHT)	01 01 01
27A	0501069069	CONTROL VALVE (V 985-4/AX 4.75)	01 01 01
27B	0503030878	LEVER CRANK	01 01 01
28	0501010080	3/8" X 1-1/2" BOLT	03 03 03
29	0501010984	FLAT WASHER	03 03 03
30	0503010026	3/8" NUT	03 03 03
31	0503013111	M20 X 2.5" BOLT	00 02 02
32	0503010023	3/4" SPRING WASHER	00 02 02
33	0503013493	T CONNECTION MALE	02 00 00
33A	0501068942	"T" CONNECTION NIPPLES	00 02 02
34	0501058589		02 00 00
34A	0501080014		02 00 00
34B	0501080010		01 00 00
34C	0501080052	1/2" X 63" TR-TR HOSE ASSY	01 00 00
34D	0501080628		01 00 00
34E	0501081041		01 00 00



Item	Code	Description	608/603/398 SERIES
34F	0501080110		02 00 00
34G	0561010501	1.1/4 X 1800 AB-AB HOSE ASSY	01 00 00
34H	0501018913	1" X 35.43" AB-AB HOSE	01 00 00
34I	0501081321		01 00 00
35	0501080120	1/2" X 400 TR-TR HOSE	00 01 01
36	0501080109	1/2" X 800 TR-TR HOSE	00 04 04
37	0501080030	1/2" X 53" TR-TC HOSE ASSY	00 02 02
38	0501080347		00 01 01
39	0501013822	1" X 25.6" AB-AB HOSE	00 01 01
40	0501014648		00 01 01
41	0501053835	FEMALE QUICK COUPLER	02 02 02
41A	0503011883	QUICK CONNECTION COVER	02 02 02
41B	0503011628	QUICK CONNECTION(FEM) AGR 1/2 NPT	02 02 02
42	0511047395	HYDRAULIC CYLINDER	02 00 00
43	0501041381		00 01 01
44	0501041382		00 01 01
45	0501068213	5/8" WRENCH DOUBLE	01 01 01
46	0501061617	1" WRENCH CYLINDRICAL HEX	01 01 01
47	0511010153	2-5/16" FIXED WRENCH	01 01 01
48	0503010184	1-1/4" TO 1-1/2" CLAMP	02 02 02
49	0503010243	1-1/2" TO 2" CLAMP	04 04 04
50	0503010246	2" TO 2 1/2" CLAMP	01 00 00
51	0521060079		01 00 00



Item	Code	Description	QT
00	0501041381		01
00.	0501041382		01
01	0501063660		01
01.	0501063661		01
02	0501063968		01
03	0502010017	4" HEAD	01
04	0502010778	2" X 4.2" RING SUPPORT	01
05	0503010039	SCRAPER RING	01
06	0503010991	PACKING 1870	01
07	0503010338	2-342 N 3006-9B O'RING	01
08	0503011061	8-342 BACK-UP RING	01
09	0503010952	RING	01
10	0503010345	2-218 O'RING	01
11	0502010992	2.0" X 4.0" PISTON	01
12	0503010043	GASKET	02
13	0503010994	W2-4000-500 PK RING G.E	01
14	0503010817	1.1/4"SNC SELF ADJUSTING NUT	01
15	0503010002	GREASE FITTING	02
16	0503030387	PLUG	02



MARCHESAN

MARCHESAN IMPLEMENTOS E MÁQUINAS AGRÍCOLAS TATU S.A.

AV. Marchesan, 1979 - Post office box, 131 - CEP 15994-900 - Matão - SP - Brazil

Phone +55 16.3382-8282

(FAX Parts) + 55 16.3382. 8297 - (Export) + 55 16.3382.1003

e.mail: tatu@marchesan.com.br www.marchesan.com.br

*Drafting and Illustration = GASPARI
e.mail = jgaspari@marchesan.com.br*

**ORIGINAL PARTS
TATU**



MARCHESAN