

PARTS CATALOG

FRONT LOADER

PD VTR A950-4 SHT/BT

Code: 0501091502



Series: S-0112

Review: SETEMBRO/2015

**ORIGINAL PARTS
TATU**



PRODUCTS

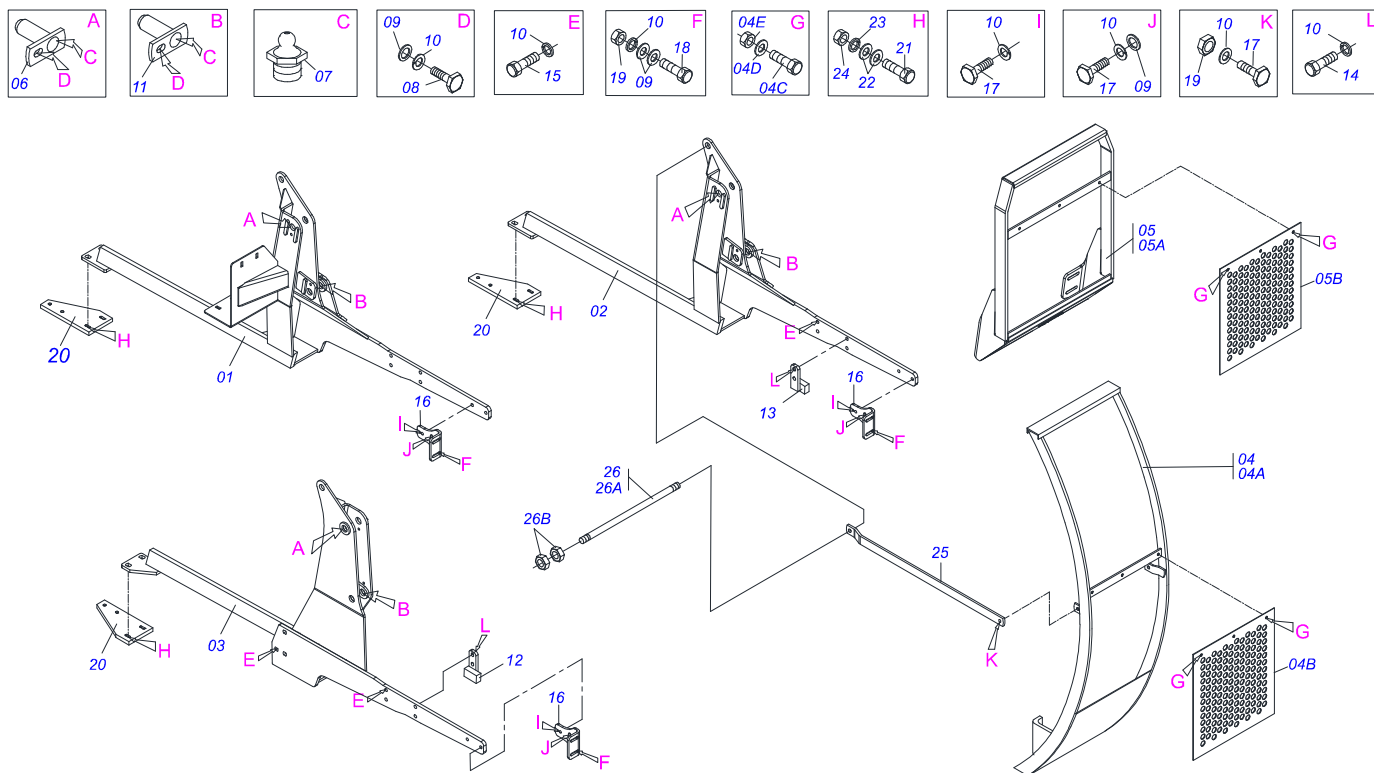
Code	Description
0106020391	PD VTR A950-4 SHT CD GAL S-0112
0106020392	PD VTR A950-4 BT SC GAL S-0112
0106020393	PD VTR A950-4 BT CD GAL S-0112
0106020398	PD VTR A950-4 BT SC SL GAL S-0112
0106020399	PD VTR A950-4 SHT CD SL GAL S-0112

ATTENTION: **IMPORTANT**

MARCHESAN S/A RESERVES THE RIGHT AT ANY TIME TO MAKE IMPROVEMENTS IN THE DESIGN, MATERIAL OR SPECIFICATIONS OF MACHINERY, EQUIPMENT OR PARTS WITHOUT THEREBY BECOMING LIABLE TO MAKE SIMILAR CHANGES IN MACHINERY, EQUIPMENT OR PARTS PREVIOUSLY SOLD.

INDEX

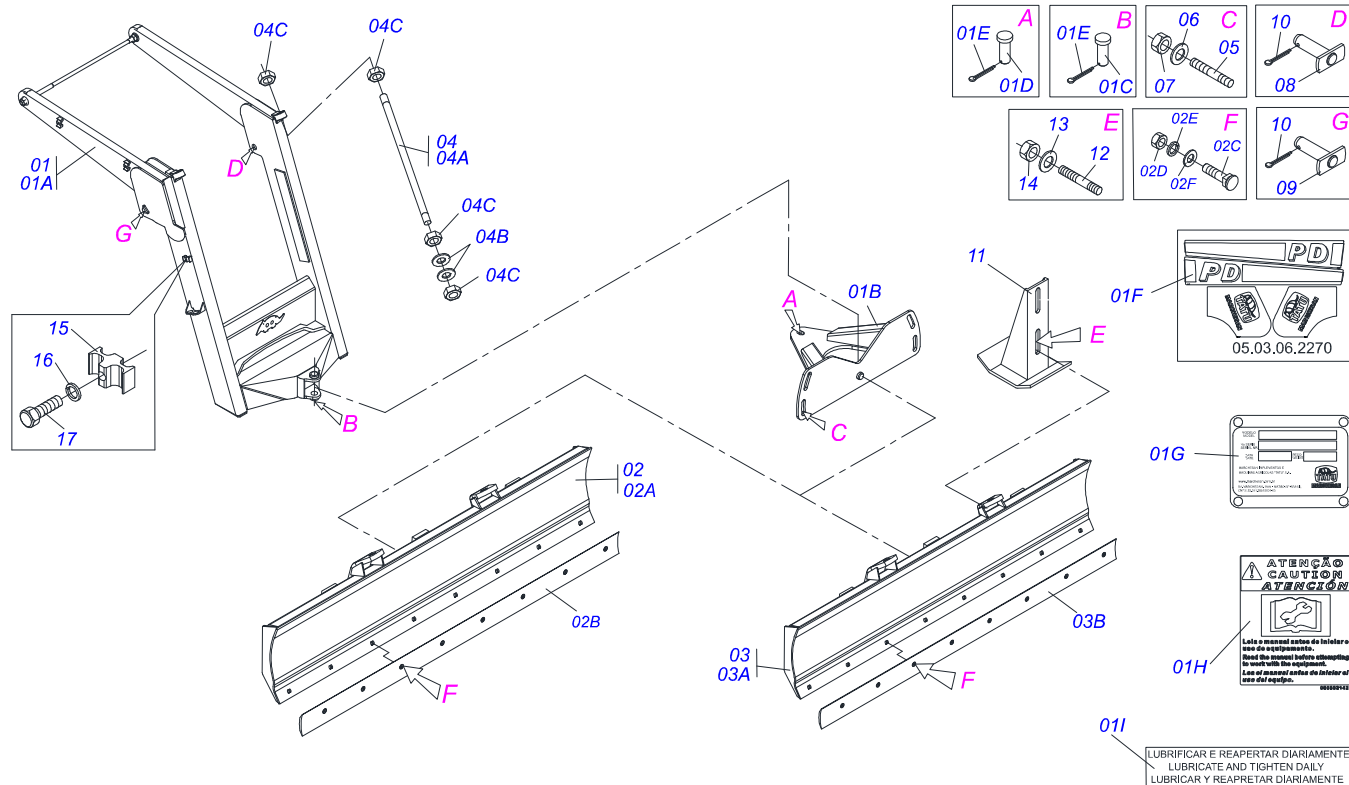
0909090766	CHASSI PD VTR A950-4 SHT/BT S-0112	1
0909090767	SUPT.MOVEL VTR A950-4 SHT/BT S-0112	2
0909090768	CIRC.HIDR.VTR. A950-4 BT S-0112	3
0909090769	CIRC. HIDR. VTR A950-4 SHT S-0112	4
0511049945		5
0521040136	DRIVE SHAFT	6



Item	Code	Description	QT
01	0521062693		01
02	0521062695		01
03	0521062694		01
04	0511049956	MOBILE SUPPORT GUIDE ASSY	01
04A	0521062696	GUIDE SUPPORT MOBILE	01
04B	0501017431	FRONT PROTECTION	01
04C	0503010751		03
04D	0501010984	FLAT WASHER	03
04E	0503010026	3/8" NUT	03
05	0511048099		01
05A	0521061246		01
05B	0501014213	FRONT PROTECTION	01
06	0501063751	1.5" X 5.5" PIVOT SHAFT	02
07	0503010002	GREASE FITTING	04
08	0503010962	5/8" X 1-1/4" BOLT	04
09	0501012140	FLAT WASHER	20
10	0503010027	5/8" SPRING WASHER	33
11	0501063960	37,2 X 130 PIVOT SHAFT LOCK	02
12	0511065101		01
13	0511065102		01
14	0503011730	M16 X 2 X 60 BOLT	04
15	0503013378	M16 X 2 X 50 BOLT	15
16	0571010158	FIXER GUIDE MOBILE SUPPORT	02
17	0501010100	BOLT	06
18	0503011067	5/8" X 2-1/2" BOLT	04
19	0503010026	3/8" NUT	06
20	0521013656	BRACKET FIXER LEFT/RIGHT	02
21	0501010500	3/4"X3"BOLT	04
22	0501010322	FLAT WASHER	08
23	0503010023	3/4" SPRING WASHER	04
24	0503010014	3/4" NUT	04
25	0571010018		02
26	0501043212	ROD 1.1/4" NC X 3.818" ASSY	01



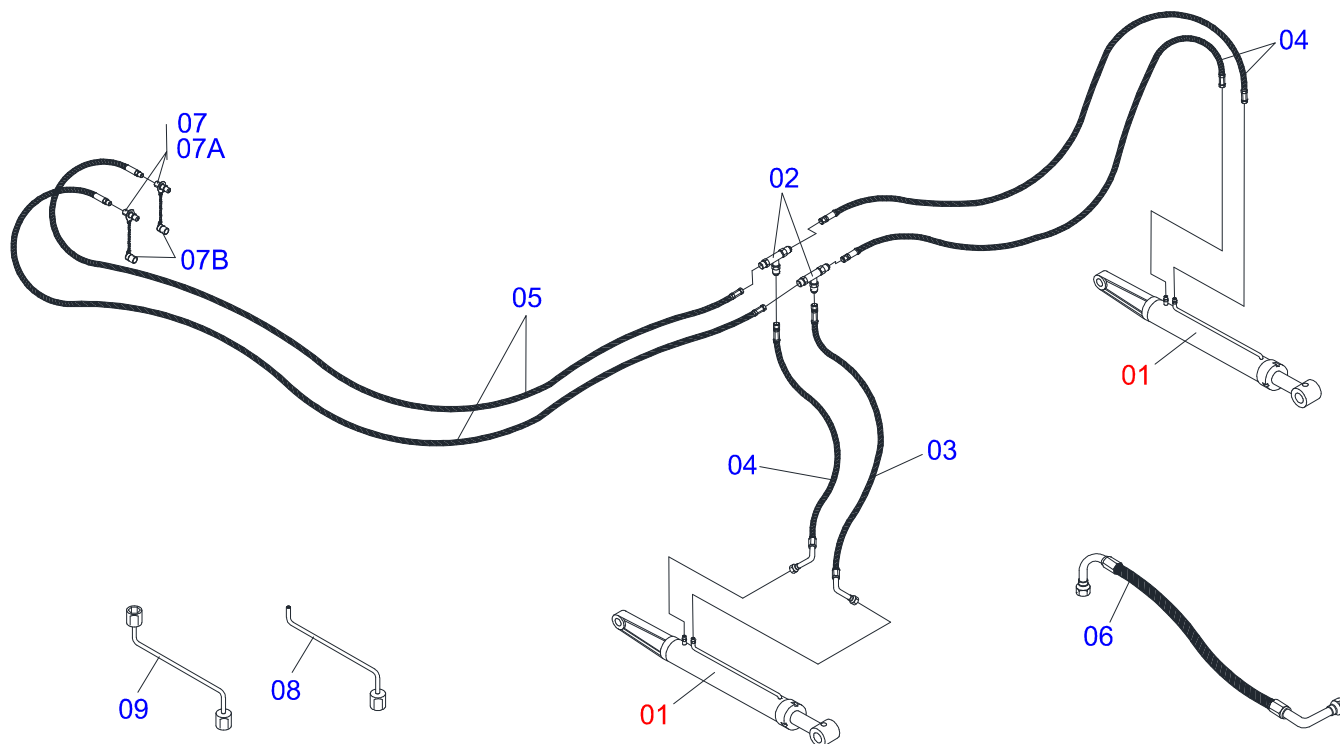
Item	Code	Description	QT
26A	0501014915	ROD 1.1/4" NC X 3.818"	01
26B	0501010087	1.1/4" UNC NUT	04



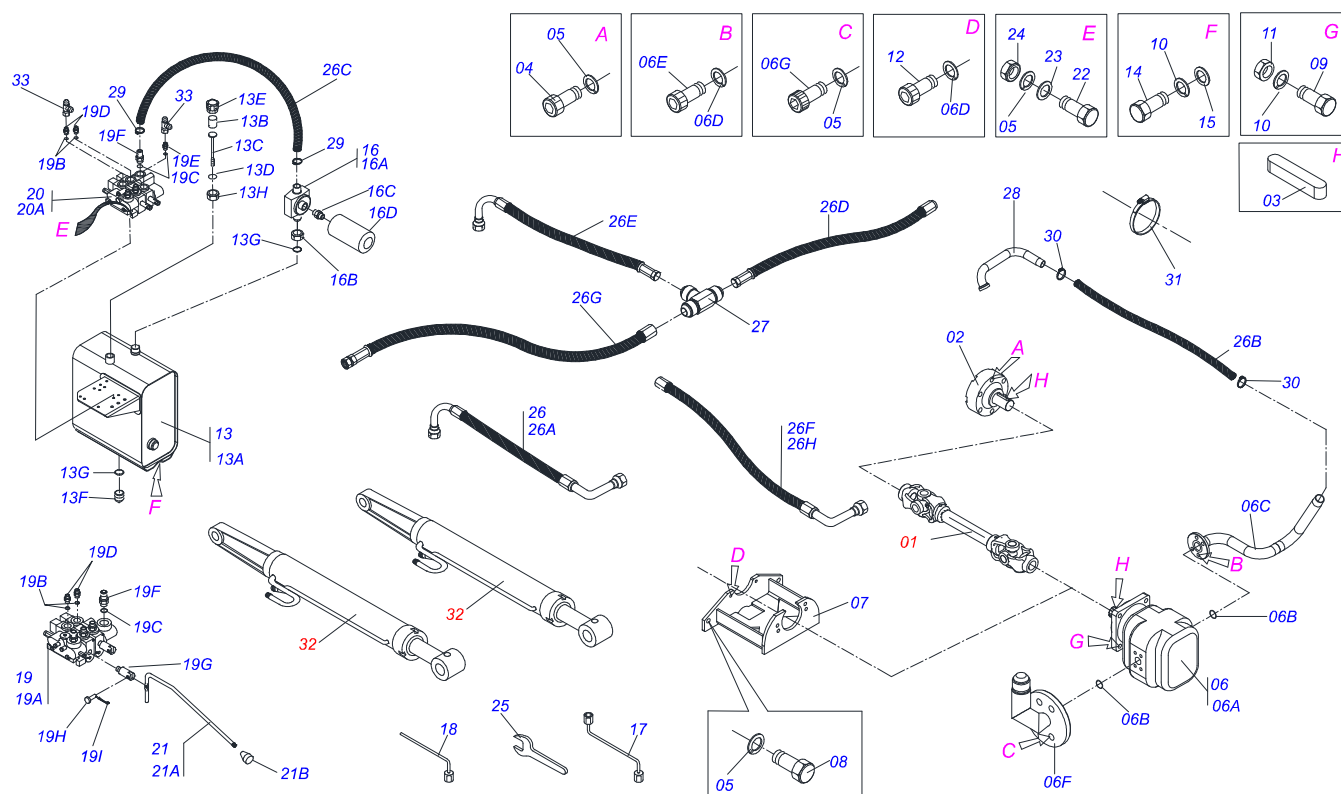
Item	Code	Description	QT
01	0511049953	MOBILE FULL SUPPORT PD VTR A950	01
01A	0521062701		01
01B	0501062637	5/8" REGULATOR SUPPORT	01
01C	0521010618	1.4" X 8.6" COUPLING SHAFT	01
01D	0521010612	1.4" X 3.5" COUPLING SHAFT	01
01E	0503010010	1/4" X 2.1/2" COTTERPIN	02
01F	0503062270	SET LABEL ADHESIVE	01
01G	0503034003		01
01H	0503031428	ADHESIVE LABEL ATTENTION	01
01I	0503031827	ADHESIVE LABEL	01
02	0501047708	2400 BLADE SUPPORT	01
02A	0501067999	2390 BLADE SUPPORT	01
02B	0622360016	94.5" SCRAPER REVERSIBLE	01
02C	0501012240	5/8" X 2-1/2" BOLT	08
02D	0503010013	5/8" NUT	08
02E	0503010027	5/8" SPRING WASHER	08
02F	0501012140	FLAT WASHER	08
03	0501047710	2600MM BLADE SUPPORT ASSY	01
03A	0501068001	2590MM BLADE SUPPORT ASSY	01
03B	0622360011	2600 SCRAPER REVERSIBLE	01
04	0501041427	1.1/4" NC X 1540 ROD	02
04A	0501014250	1.1/4" X 1540 ROD	02
04B	0502012180	CONICAL SPRING WASHER	04
04C	0501010087	1.1/4" UNC NUT	08
05	0561016755	PRISONER 1 UNC X 1 UNC X 76 ZN	04
06	0501010574	FLAT WASHER	04
07	0501010059	1" NUT	04
08	0521063354	COUPLING SHAFT	01
09	0521063358		01
10	0503010534	3/8 X 2-1/2 COTTERPIN	02
11	0501063411	ESTABILIZER BRACKET	02
12	0561016756	3/4 UNC X 3/4 UNC X 56 PRISONER	04
13	0501010322	FLAT WASHER	04



Item	Code	Description	QT
14	0503010014	3/4" NUT	04
15	0502012702	BODY SUPPORT CLAMP	03
16	0503012555	7/16" X 2" BOLT	03
17	0503010180	7/16" SPRING WASHER	03



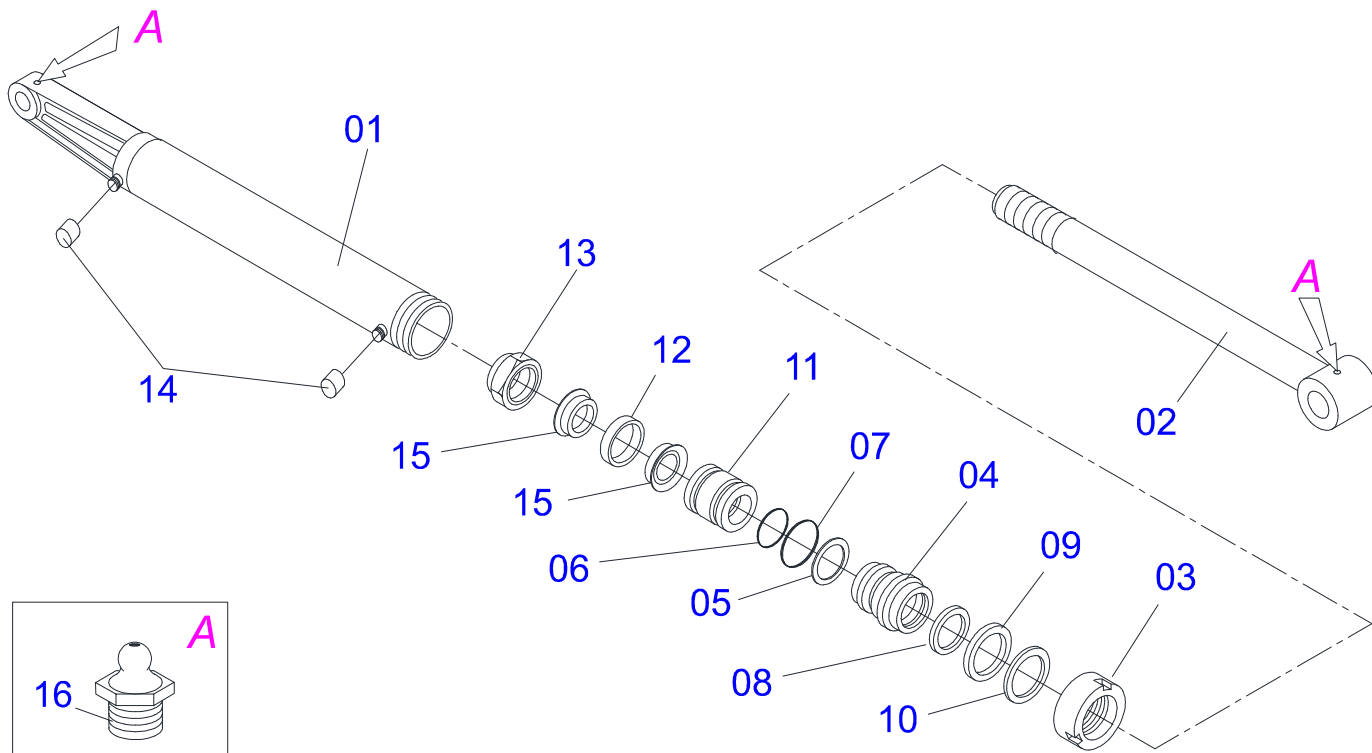
Item	Code	Description	QT
01	0501046992	HYDRAULIC CYLINDER	02
02	0503013493	T CONNECTION MALE	02
03	0501080525	3/8 X 2300 TC-TC HOSE ASSY	01
04	0501081388		03
05	0501080033		02
06	0501080087	1/2" X 450 HOSE ASSY	01
07	0501053834	QUICK CONECTION (MALE) 1/2NPT	02
07A	0503011627	QUICK CONNECTION (MALE) AGR 1/2 NPT	02
07B	0503011882	QUICK CONNECTION COVER	02
08	0501061617	1" WRENCH CYLINDRICAL HEX	01
09	0501068213	5/8" WRENCH DOUBLE	01



Item	Code	Description	QT
01	0521040136	DRIVE SHAFT	01
02	0521016647	FLANGE COUPLING	01
03	0503031031	1/4" KEYWAY SQUARE	02
04	0503011313	M 8 X 1,25 X 50 BOLT	06
05	0503010025	3/8" SPRING WHASHER	10
06	0521040134	GEAR PUMP ASSY KEYPED SHAFT	01
06A	0503062013	H40 PUMP SHAFT 1 CHV	01
06B	0503010173	2-220 N 3006-9B O'RING	02
06C	0521063473	PUMP SUCTION TUBE	01
06D	0503010180	7/16" SPRING WASHER	04
06E	0503010355	7/16" X 1" BOLT	04
06F	0501067702	PUMP PRESSURE TUBE	01
06G	0503010237	BOLT	04
07	0511061456	PUMP SUPPORT	01
08	0503013378	M16 X 2 X 50 BOLT	02
09	0503010740		02
10	0503010019	SPRING WASHER 1/2 ZN 1K01556	06
11	0503010060	1/2" NUT	02
12	0503010729	M10 X 1,5 X 25 BOLT	02
13	0501047575	OIL RESERVOIR ASSY	01
13A	0501068685	OIL RESERVOIR	01
13B	0503030044	FILTERING ELEMENT	01
13C	0501060975	OIL GAGE	01
13D	0503010185	2-221 N 3006-9B O'RING	01
13E	0502020472	FRONTAL COVER	01
13F	0503031604	1/2" BSP PLUG	01
13G	0503010046	2-216 N 3006-9B O'RING	05
13H	0501016309	2" 1X 2.5/16" NUT	01
14	0501010161	1/2" X 1-1/4" BOLT	04
15	0511017302	FLAT WASHER	04
16	0501041108	RETURNING FILTER ASSY	01
16A	0502050002	RETURNING FILTER HEAD	01
16B	0501010594	1" NUT	01

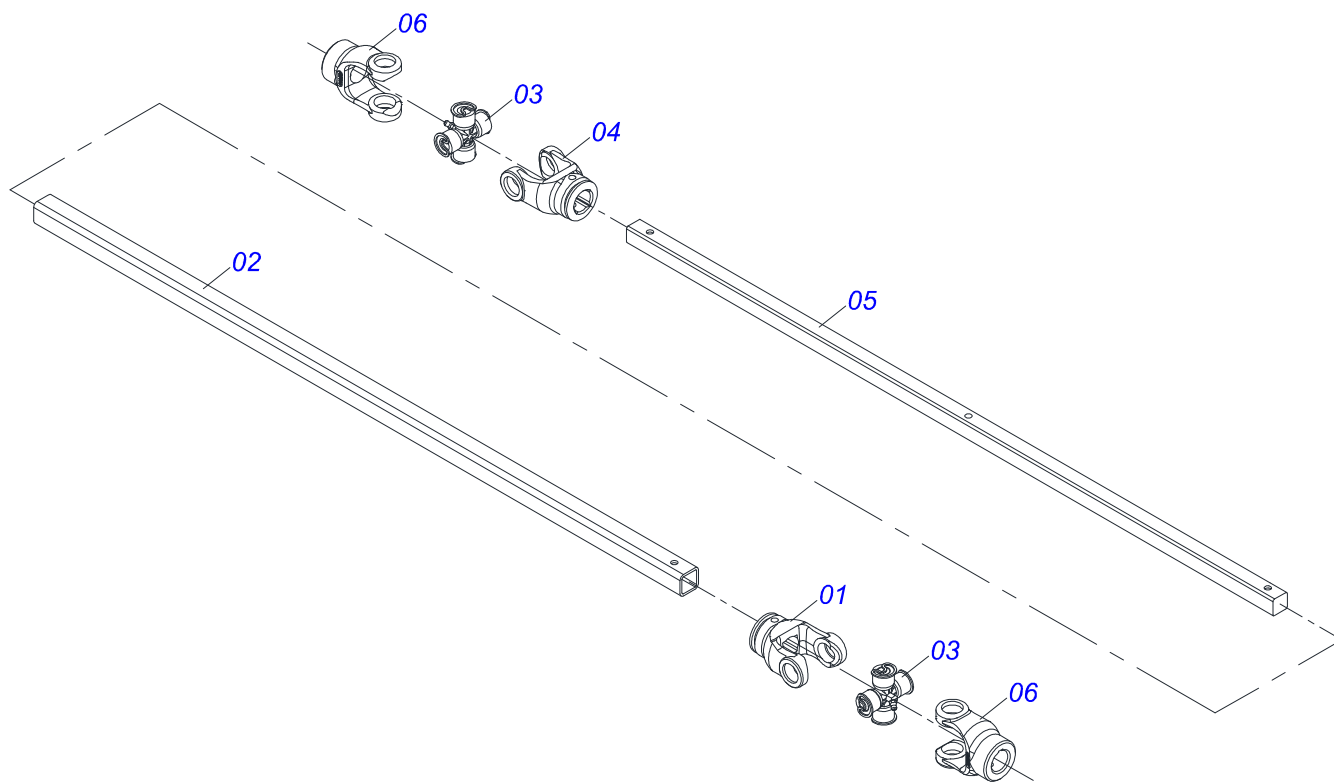


Item	Code	Description	QT
16C	0501010595	1" NF NIPPLE	01
16D	0503010183	RETURNING FILTER	01
17	0501068213	5/8" WRENCH DOUBLE	01
18	0501061617	1" WRENCH CYLINDRICAL HEX	01
19	0501040871	1/2" COMMAND SIMPLE ASSY	01
19A	0503060080	1/2" COMMAND SIMPLE	01
19B	0503010045	2-116 N 3006-9B O'RING	02
19C	0503010602	2-211 N 3006-9B O'RING	02
19D	0501010590	7/8" REDUCTION NIPPLE	02
19E	0501010589		01
19F	0501010591	HOSE NIPPLE	01
19G	0503030347	UPPER LEVER ASSY (SAUER DANFOSS)	01
19H	0501010593	0.3" X 1" X 1/2" X 1.1 PIN	01
19I	0503010140	1/8" X 3/4" COTTERPIN	01
20	0501059952	DOBLE COMMAND 1/2 HIDROV/DANFOSS ASSY	01
20A	0503060016		01
20B	0521010533	0.3" X 1" COUPLING SHAFT	02
21	0501048023	CONTROL VALVE	02
21A	0511060695	CONTROL VALVE	02
21B	0503030878	LEVER CRANK	02
22	0501010080	3/8" X 1-1/2" BOLT	02
23	0501010984	FLAT WASHER	02
24	0503010026	3/8" NUT	02
25	0511010153	2-5/16" FIXED WRENCH	01
26	0511049242		01
26A	0501080892		01
26B	0501013456		01
26C	0501010613		01
26D	0501080076	1/2" X 2500 TR-TM HOSE ASSY	02
26E	0501081638		01
26F	0501080059	1/2" X 61" TR-TC HOSE ASSY	01
26G	0501080941		01
26H	0501080827	1/2" X 90.55" TR-TR HOSE	01
26I	0501080021	1/2" X 51" TR-TR HOSE ASSY	02
27	0503013493	T CONNECTION MALE	02
28	0501063383	TANK OUTER TUBE	01
29	0503010184		02
30	0503010243	CLAMP	06
31	0503010246	2" TO 2/1/2" CLAMP	01
32	0511049945		02
33	0503012341	"T" 7/8" ADAPOR GIRAT NUT	02



Item	Code	Description	QT
01	0521062692		01
02	0501068208	44,45 X 670 TURNBUCKLE	01
03	0502010993	DETACHABLE COVER	01
04	0502010781	RING SUPPORT	01
05	0503010761	D-1750 SCRAPER RING	01
06	0503010990	GASKET	01
07	0503010949	W2-2000-500 PK RING G.E	01
08	0503011060	8-336 BACK-UP RING	01
09	0503010976	2-336 N 3006-9B O'RING	01
10	0503010042	2-214 N 3006-9B O'RING	01
11	0502010843	1.8" X 3.4" PISTON	01
12	0503010948	W4-3346-590 PK RING G.E	01
13	0503010063	1" SELF-ALIGNING NUT	01
14	0503030387	PLUG	02
15	0503010170	PACKING 3120 2750	02
16	0503010002	GREASE FITTING	02

DRIVE SHAFT



Item	Code	Description	QT
01	0503017426	28,65 TERMINAL	01
02	0503017427	SQUARE TUBE	01
03	0503014639	CROSSPIECE	02
04	0503017428	TERMINAL W/HOLE SQUARE	01
05	0503017429	SQUARE BAR	01
06	0503017430	CC 13 TERMINAL	02



MARCHESAN IMPLEMENTOS E MÁQUINAS AGRÍCOLAS TATU S.A.

AV. Marchesan, 1979 - Post office box, 131 - CEP 15994-900 - Matão - SP - Brazil

Phone +55 16.3382-8282

(FAX Parts) + 55 16.3382. 8297 - (Export) + 55 16.3382.1003

e.mail: tatu@marchesan.com.br www.marchesan.com.br

Drafting and Illustration = GASPARI
e.mail = jgaspari@marchesan.com.br

**ORIGINAL PARTS
TATU**

